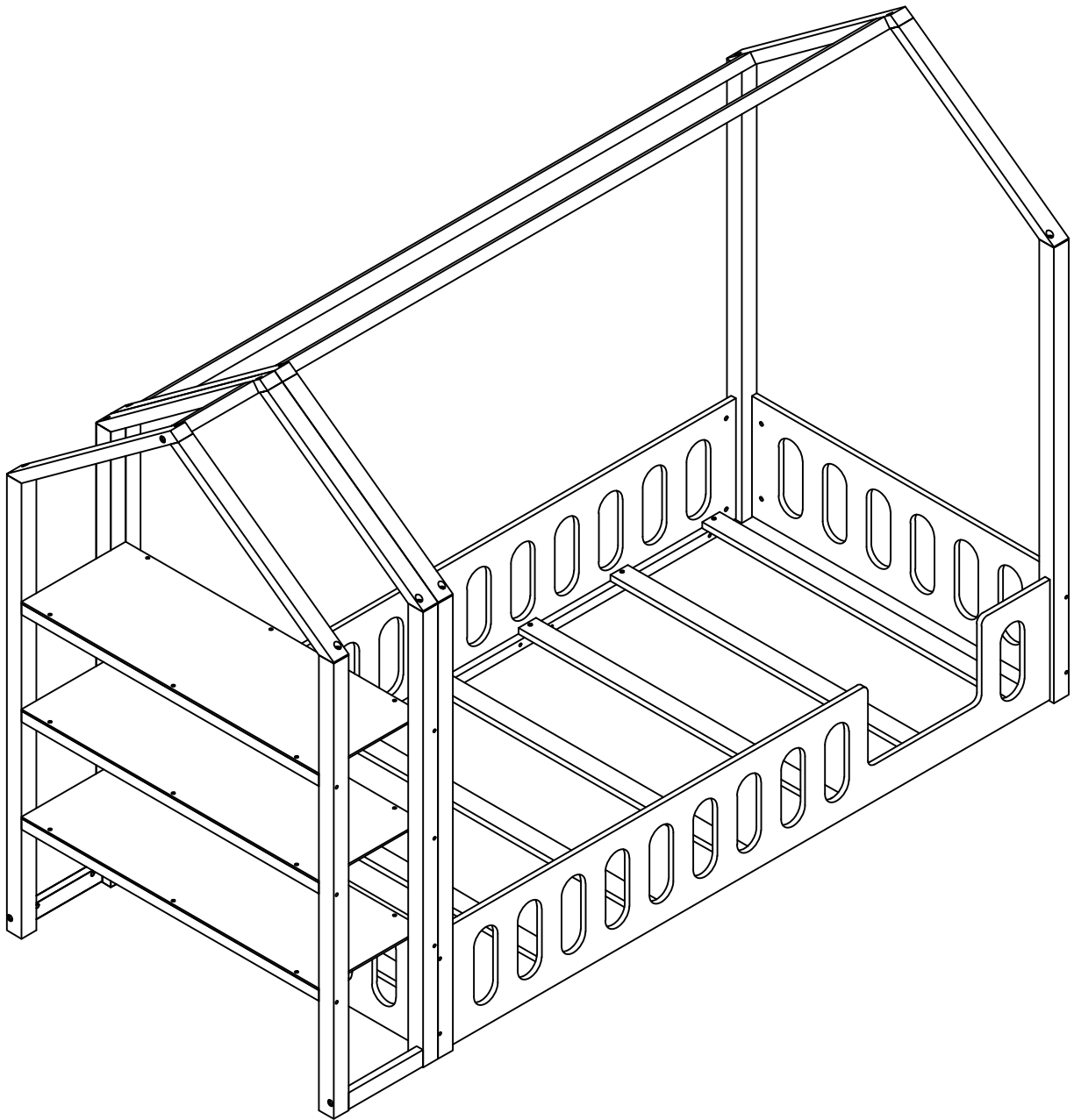


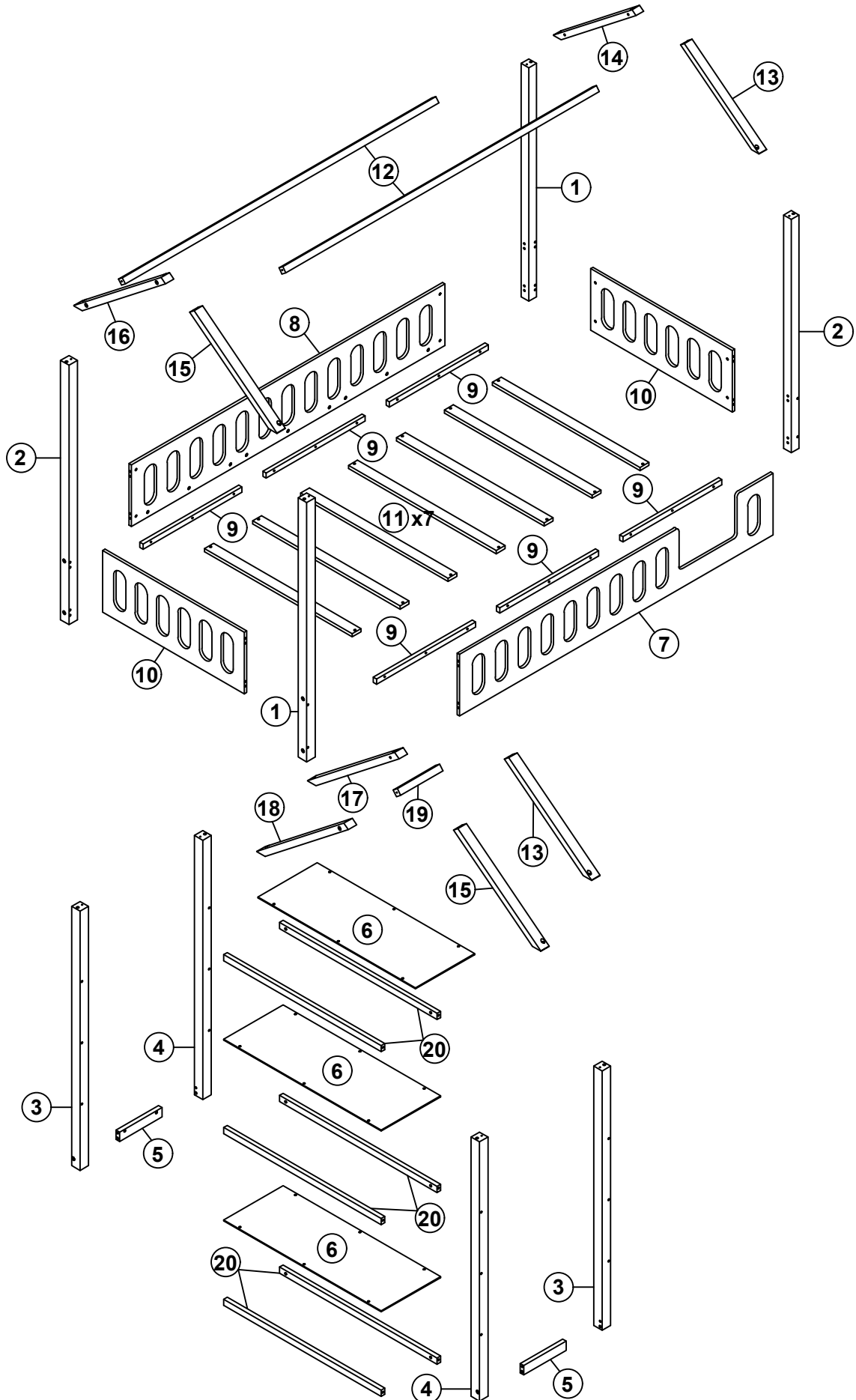
ASSEMBLY INSTRUCTIONS

TWIN BED WITH BOOK-SHELF



WF313771/WF313772

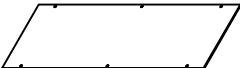
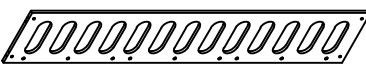


ASSEMBLY INSTRUCTIONS



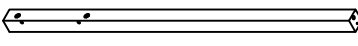
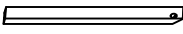
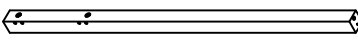
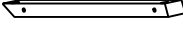
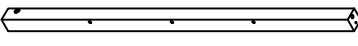
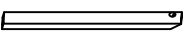
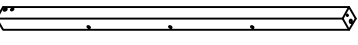
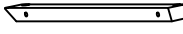
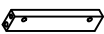



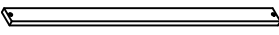

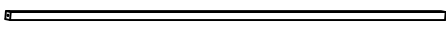
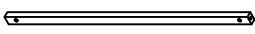
ASSEMBLY INSTRUCTIONS

PARTS LIST

WF313771

6	Shelf panels 	3pcs	8	Side rails panels 	1pc
7	Side rails panels 	1pc	10	Headboard frame 	2pcs










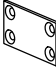
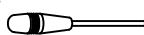
WF313772 (hardware in this SKU)

1	Legs 	2pcs	13	Roof top 	2pcs
2	Legs 	2pcs	14	Roof top 	1pc
3	Legs 	2pcs	15	Roof top 	2pcs
4	Legs 	2pcs	16	Roof top 	1pc
5	Shelf panels support 	2pcs	17	Roof top 	1pc
9	Support side rails 	6pcs	18	Roof top 	1pc
11	Slats 	7pcs	19	Roof top support 	1pc
12	Roof top support 	2pcs	20	Shelf panels support 	6pcs

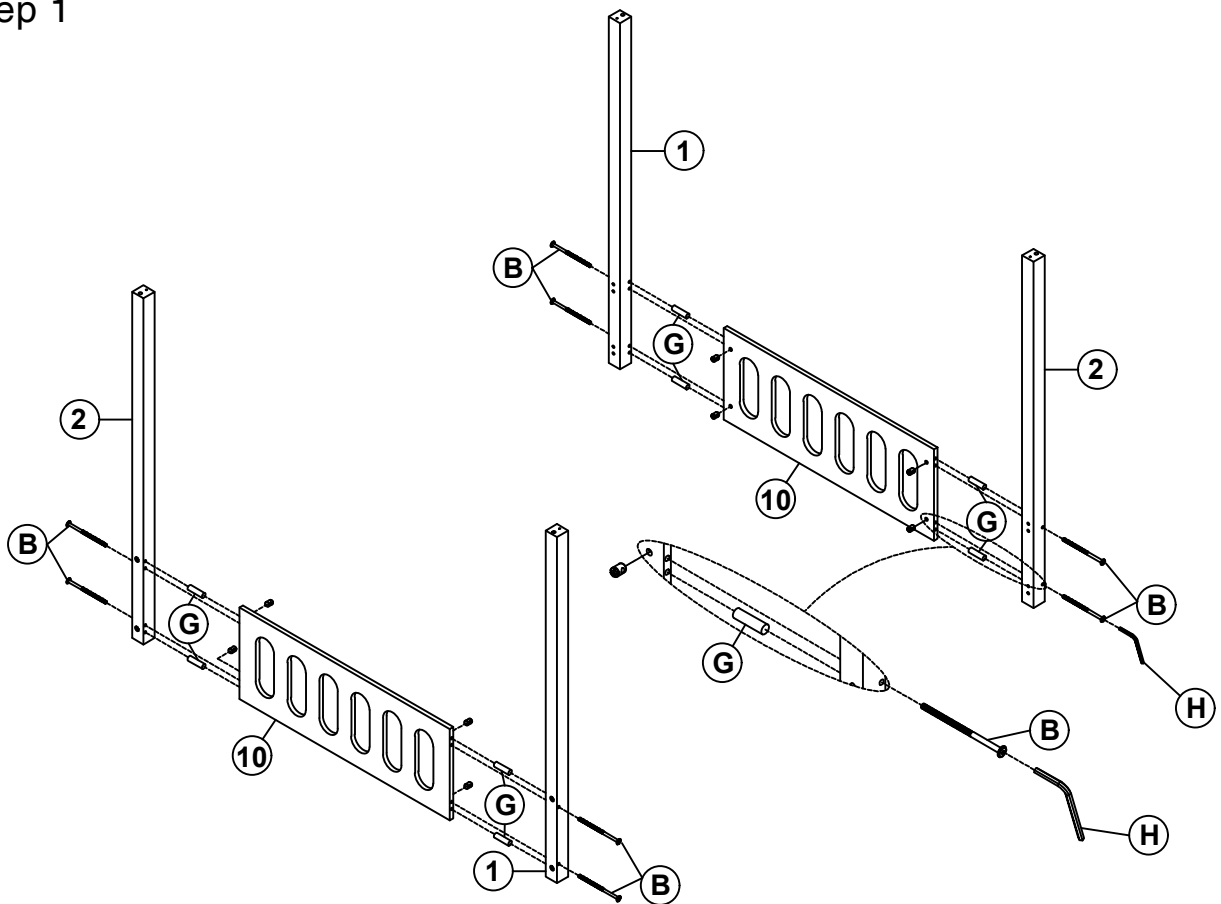
ASSEMBLY INSTRUCTIONS

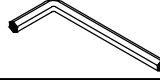


PARTS LIST

HARDWARE LIST (WF313772)

A	Ø4x30		14PCS	F	Ø10x40		16PCS
B	1/4x90		32PCS	G	Ø8x30		16PCS
C	6.5x90		6PCS	H	4x58		1PC
D	6.5x60		12PCS	I	3.5x15		34PC
E	1/4x30		18PCS	J	50x28x2		4PCS
				Phillip head screw Not include			

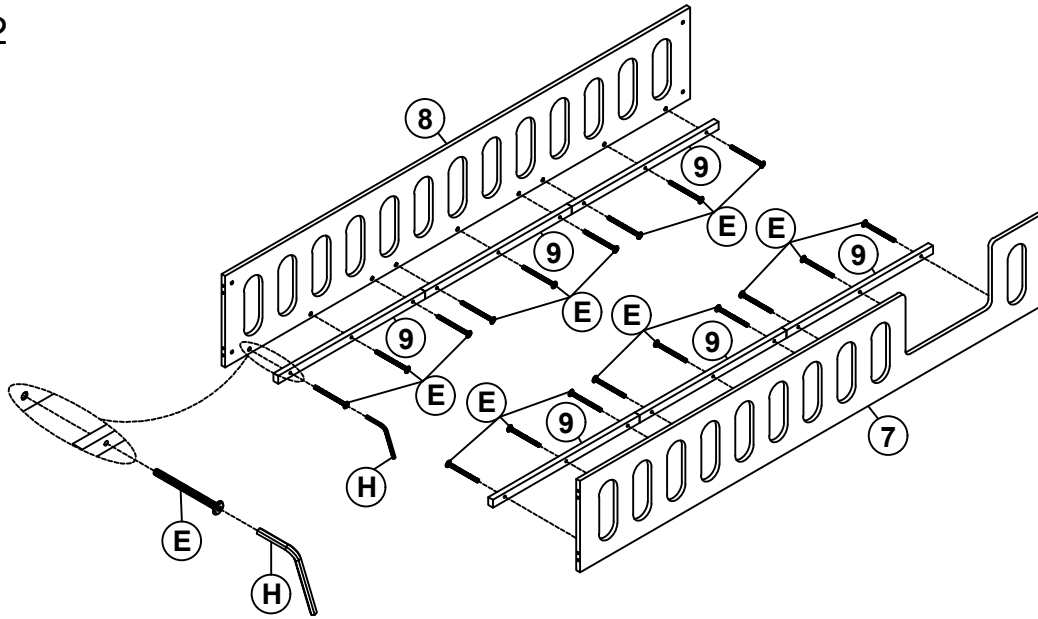
Step 1



				H	4x58		1PC
B	1/4x90		8PCS	G	Ø8x30		8PCS

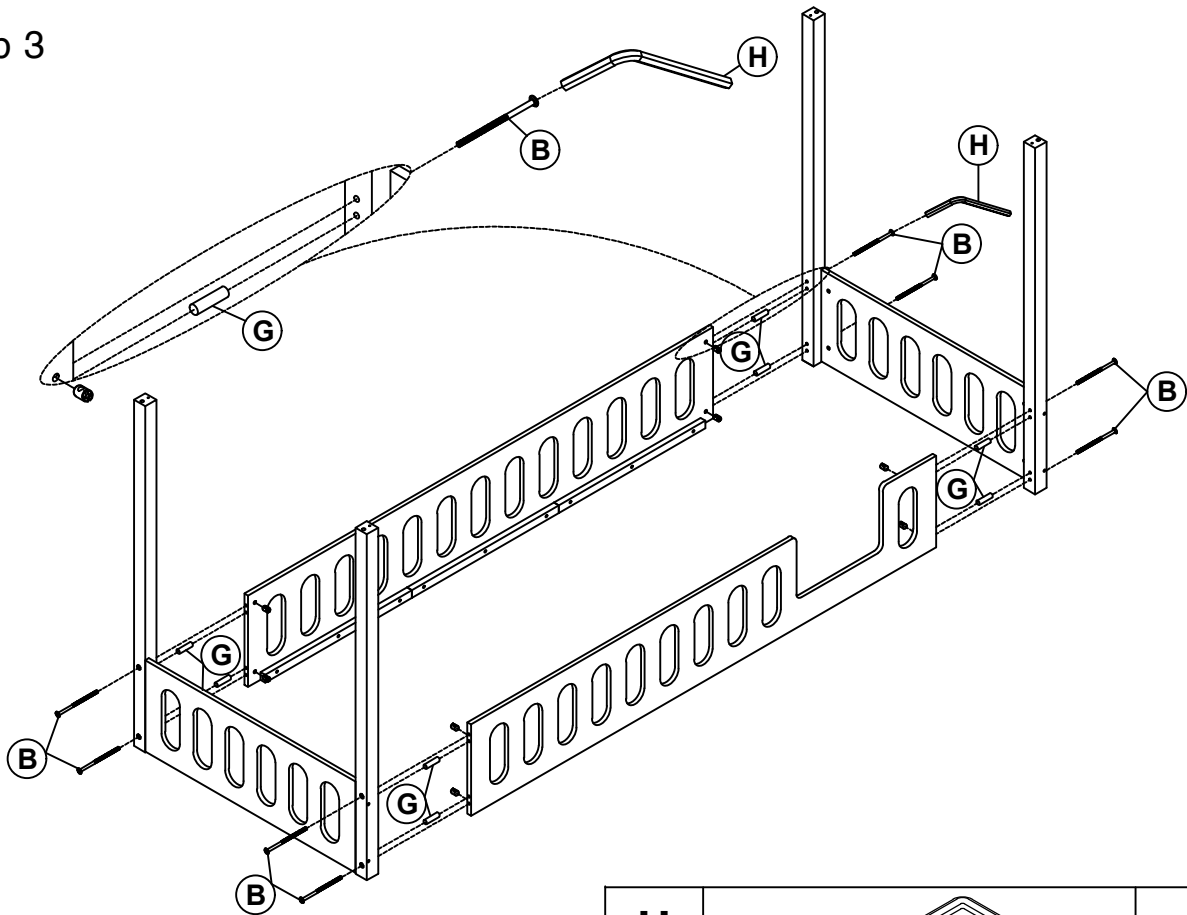
ASSEMBLY INSTRUCTIONS

Step 2



H	4x58		1PC	E	1/4x30		18PCS
----------	------	--	-----	----------	--------	--	-------

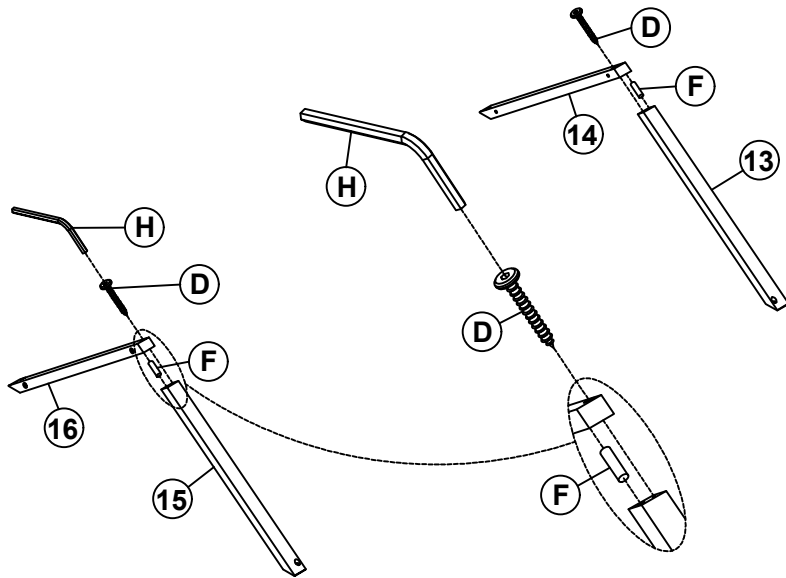
Step 3



H	4x58		1PC	B	1/4x90		8PCS	G	Ø8x30		8PCS
----------	------	--	-----	----------	--------	--	------	----------	-------	--	------

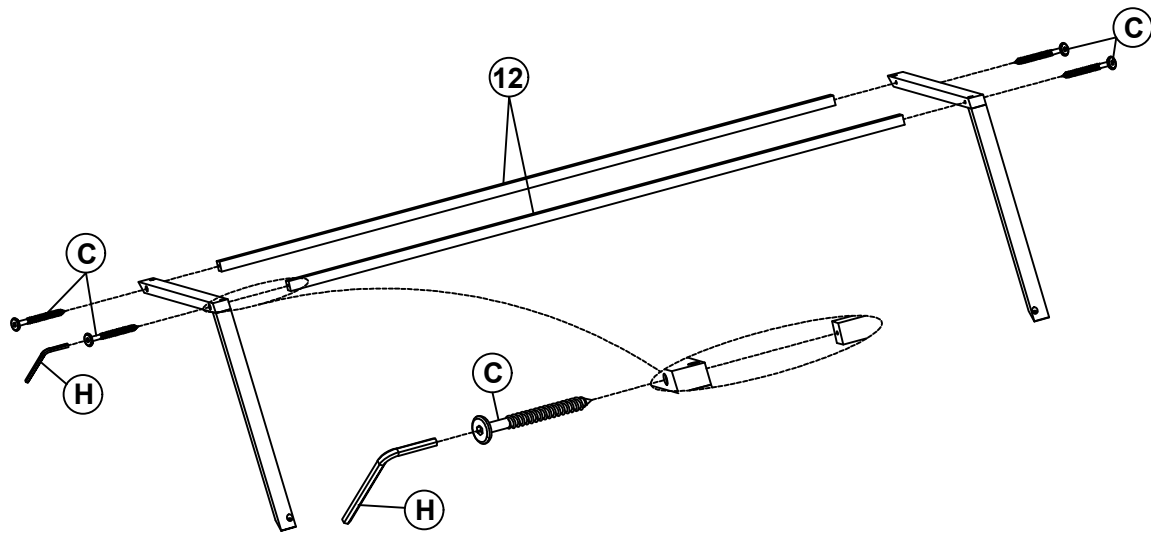
ASSEMBLY INSTRUCTIONS

Step 4



H	4x58		1PC
F	Ø10x40		2PCS
D	6.5x60		2PCS

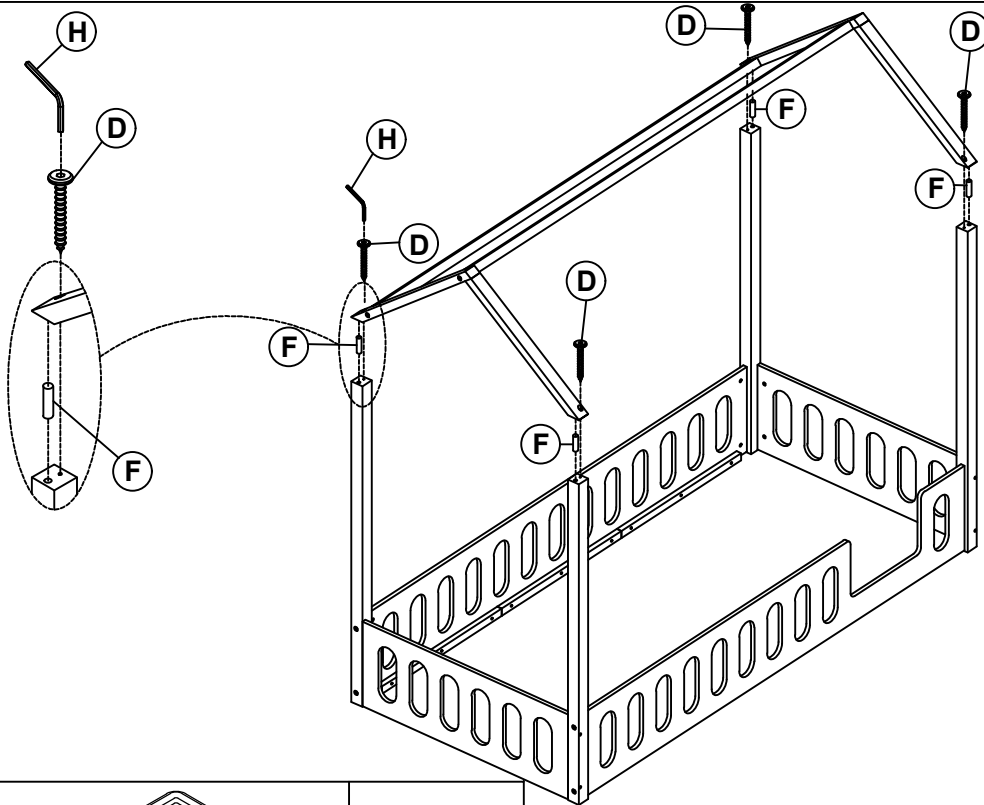
Step 5

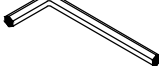




C	6.5x90		4PCS	H	4x58		1PC
----------	--------	--	------	----------	------	--	-----

ASSEMBLY INSTRUCTIONS

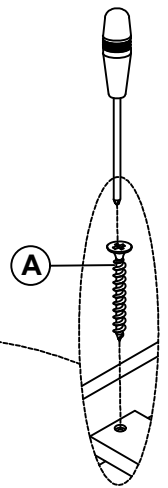
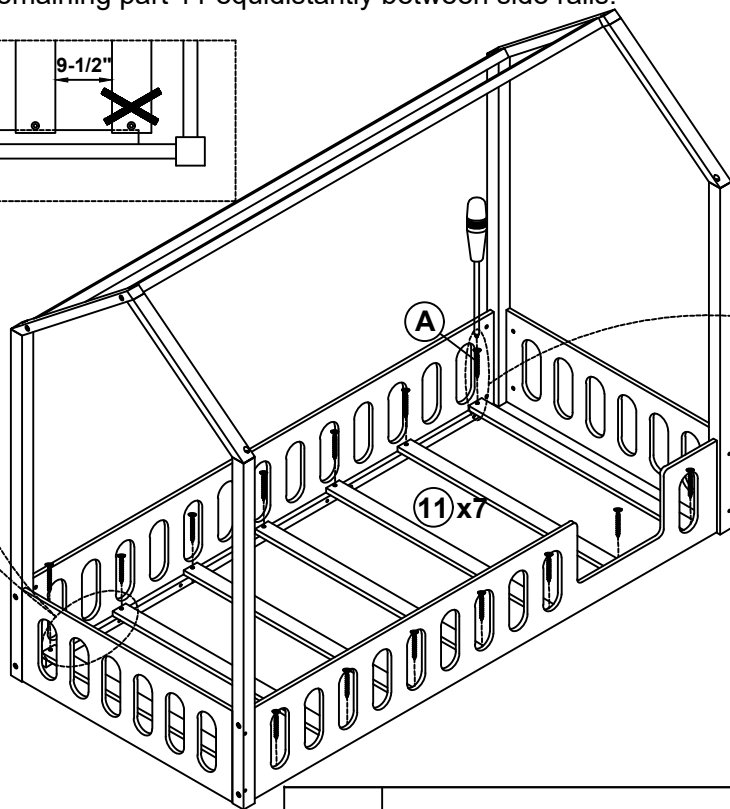
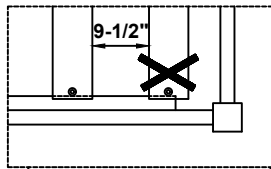
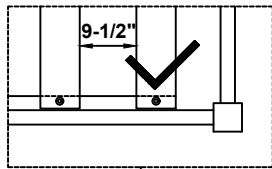
Step 6



H	4x58		1PC				
F	Ø10x40		4PCS	D	6.5x60		4PCS

First attach 2pcs part 11 to the front and end of the frame, between side rails. Then attach the remaining part 11 equidistantly between side rails.

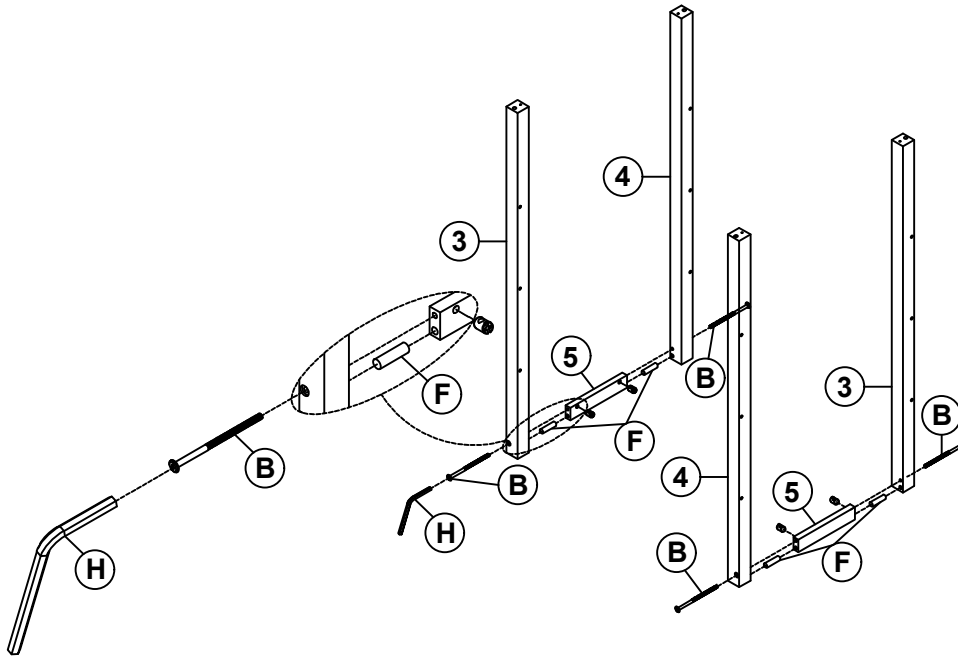
Step 7






A	Ø4x30		14PCS
----------	-------	---	-------

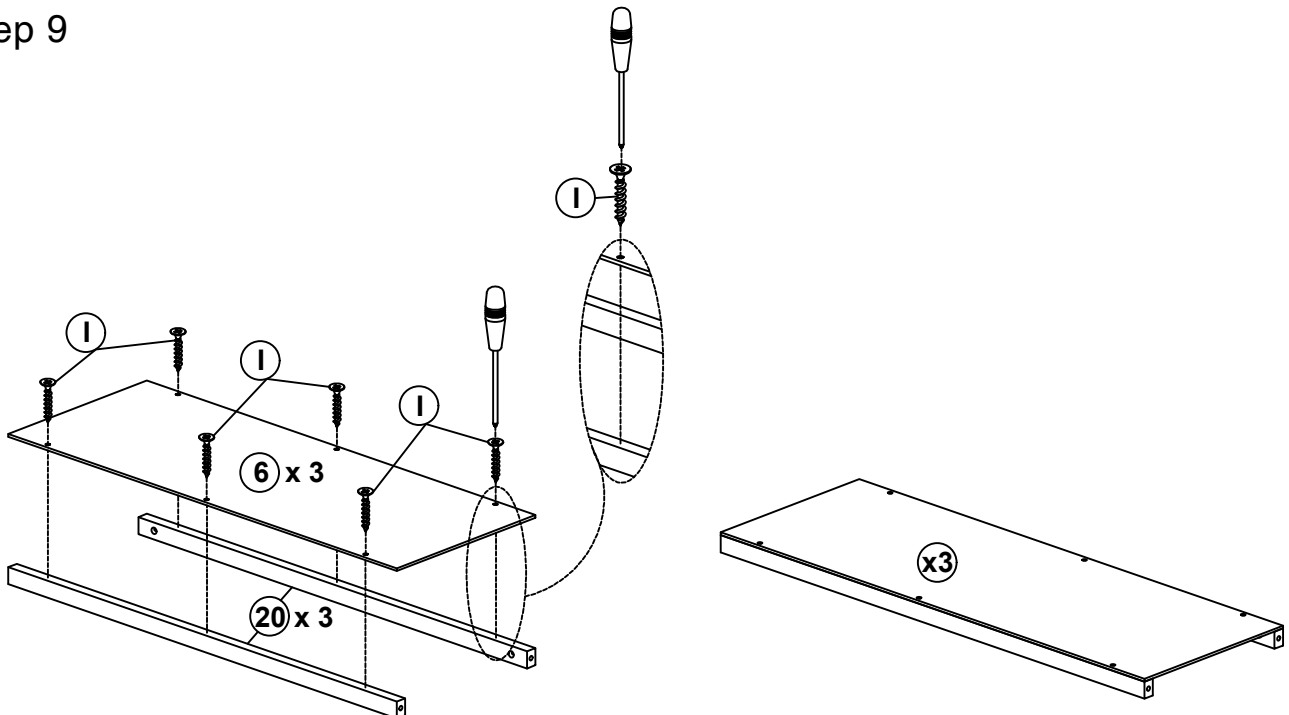
ASSEMBLY INSTRUCTIONS


Step 8



H	4x58		1PC
B	1/4x90		4PCS
F	Ø10x40		4PCS

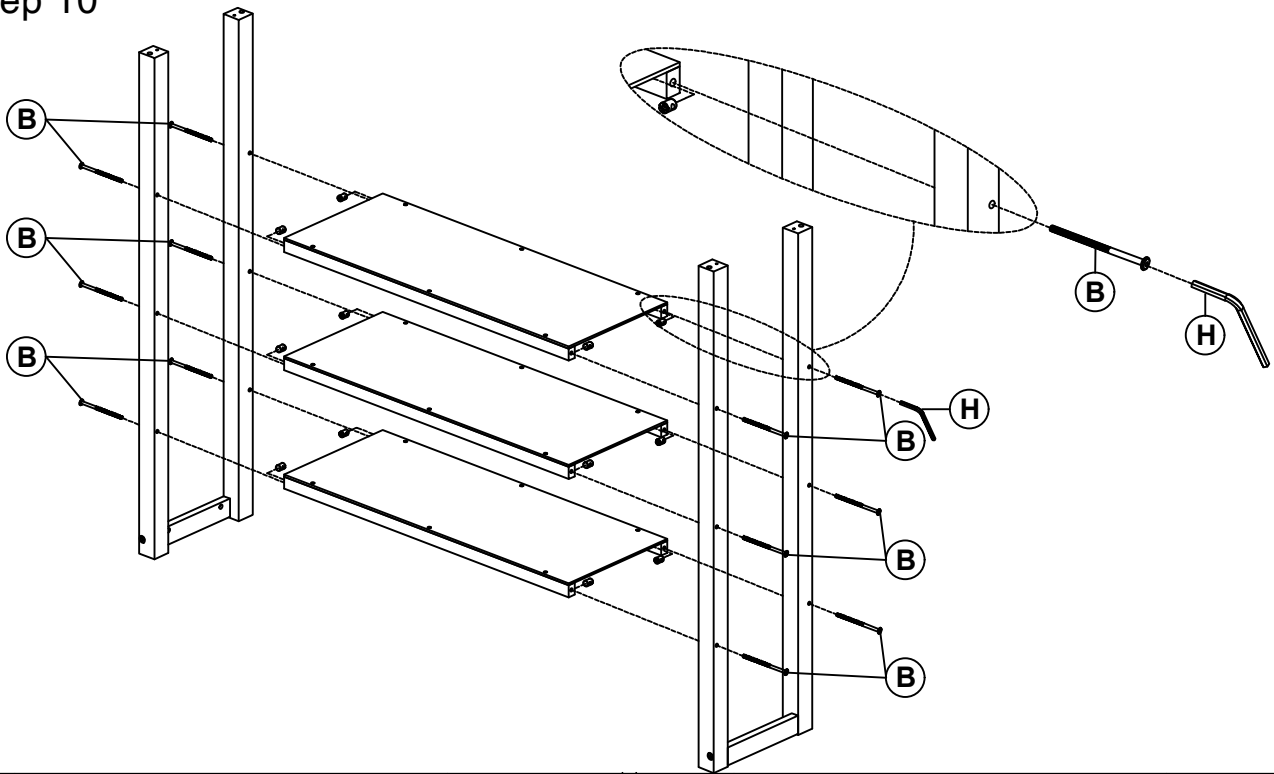
Step 9



I	3.5x15		18PCS
----------	--------	---	-------

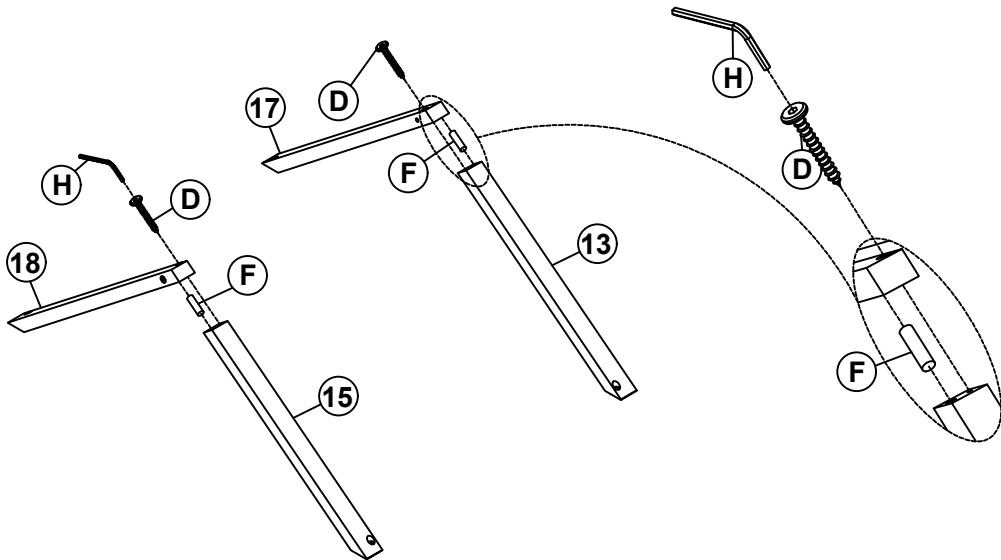
ASSEMBLY INSTRUCTIONS




Step 10



B	1/4x90		12PCS	H	4x58		1PC
----------	--------	---	-------	----------	------	---	-----

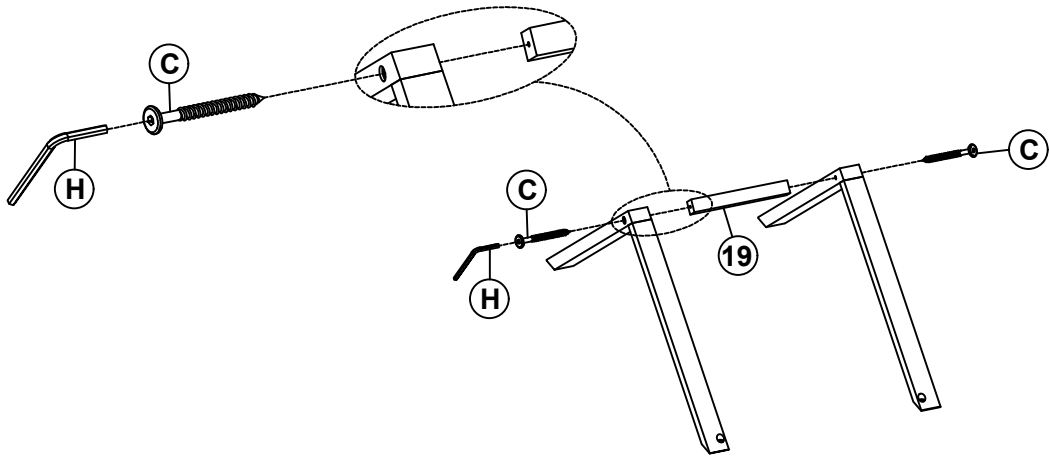
Step 11




				H	4x58		1PC
F	Ø10x40		2PCS	D	6.5x60		2PCS

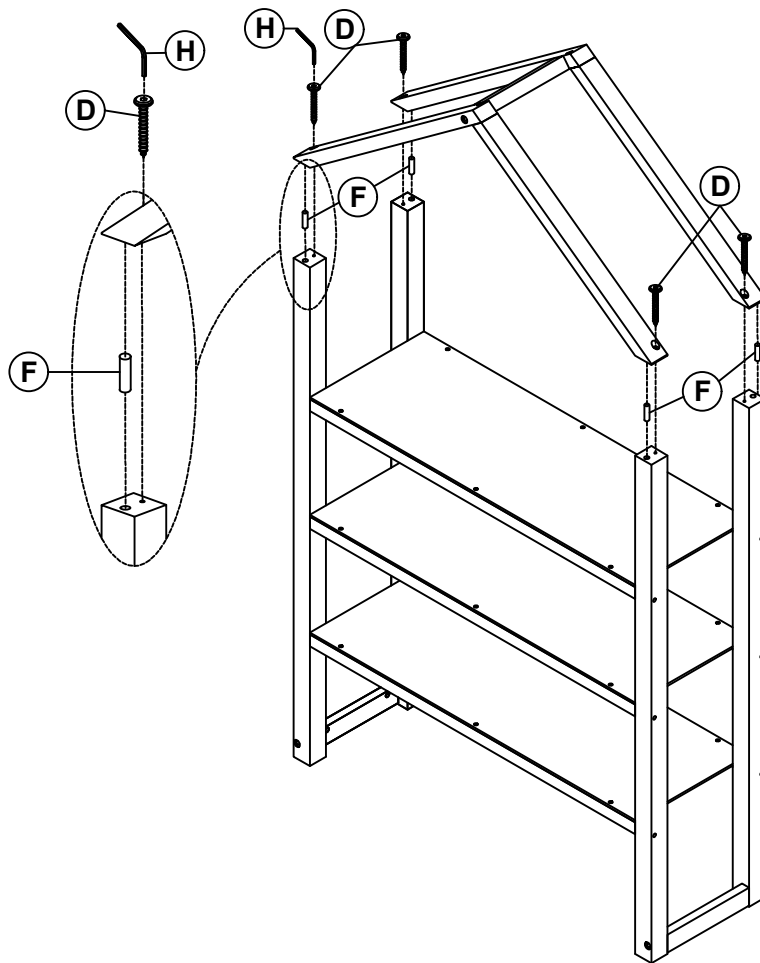
ASSEMBLY INSTRUCTIONS




Step 12



H	4x58		1PC	C	6.5x90		2PCS
----------	------	---	-----	----------	--------	---	------

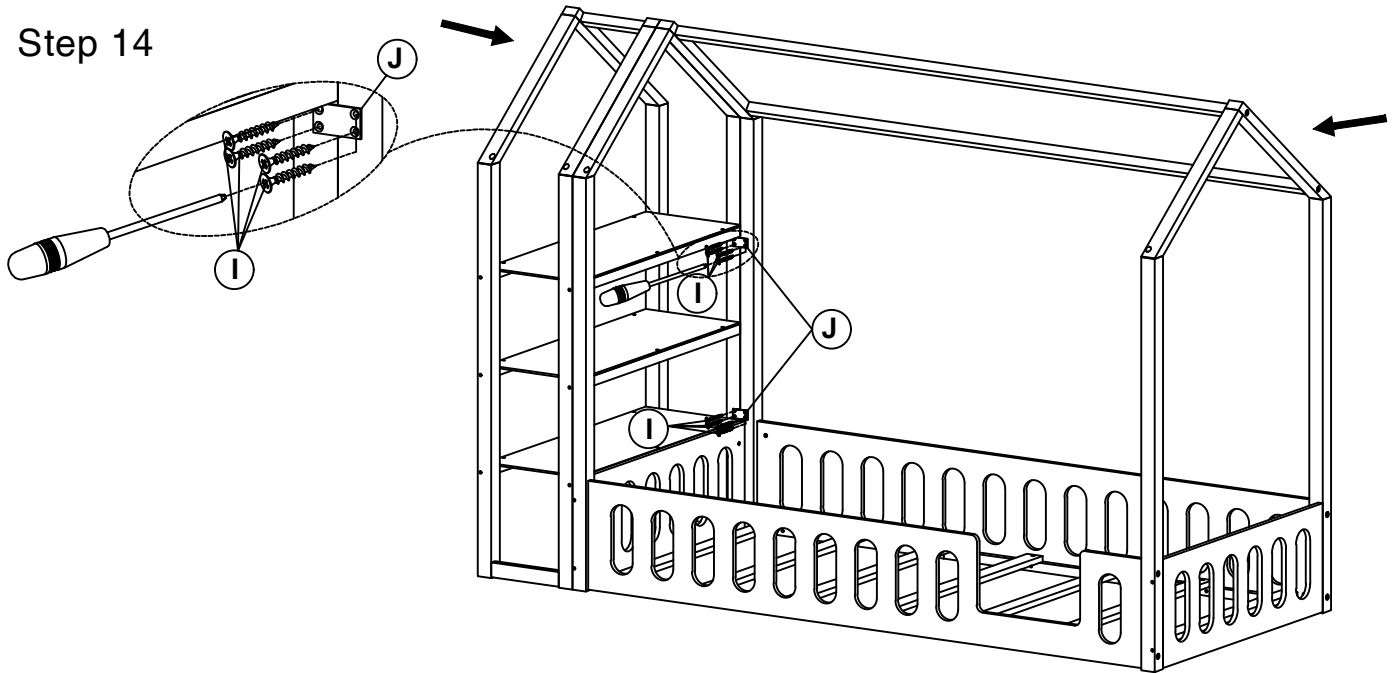
Step 13



H	4x58		1PC	D	6.5x60		4PCS	F	Ø10x40		4PCS
----------	------	---	-----	----------	--------	---	------	----------	--------	---	------

ASSEMBLY INSTRUCTIONS

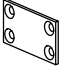

Step 14



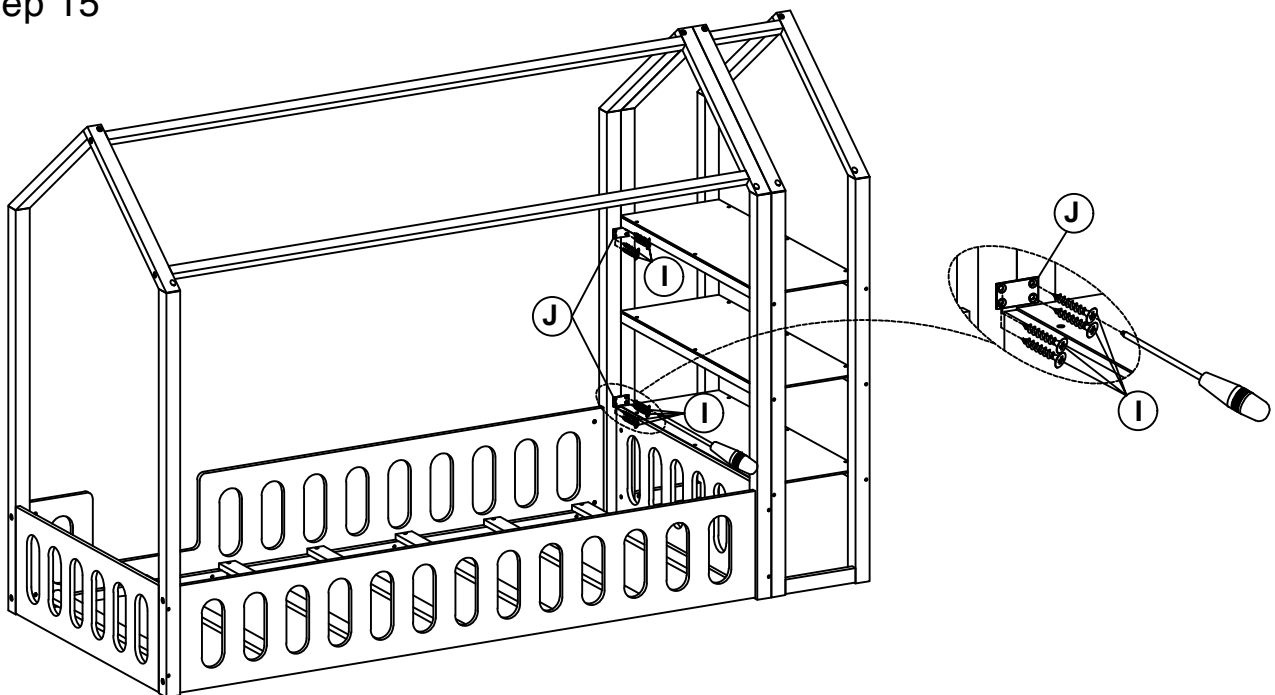
This step has 2 options:

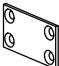

Options 1: This shelf can be assembled on the left or right side of the bed.

Options 2: Can be installed and placed anywhere without placing it next to the bed, no need to use part J at this time.

J	50x28x2		2PCS	I	3.5x15		8PCS
----------	---------	---	------	----------	--------	---	------

Step 15



J	50x28x2		2PCS	I	3.5x15		8PCS
----------	---------	---	------	----------	--------	---	------