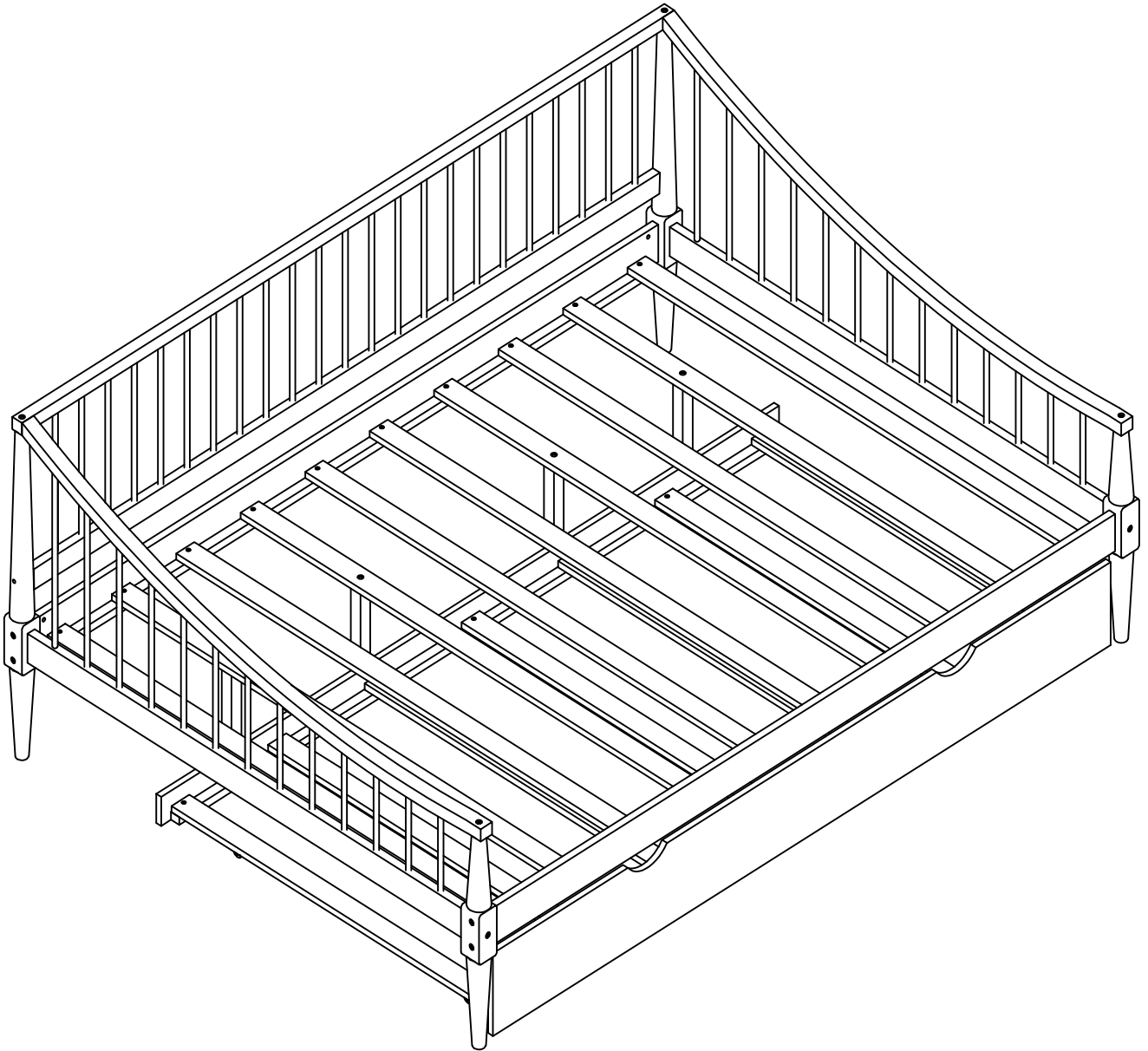
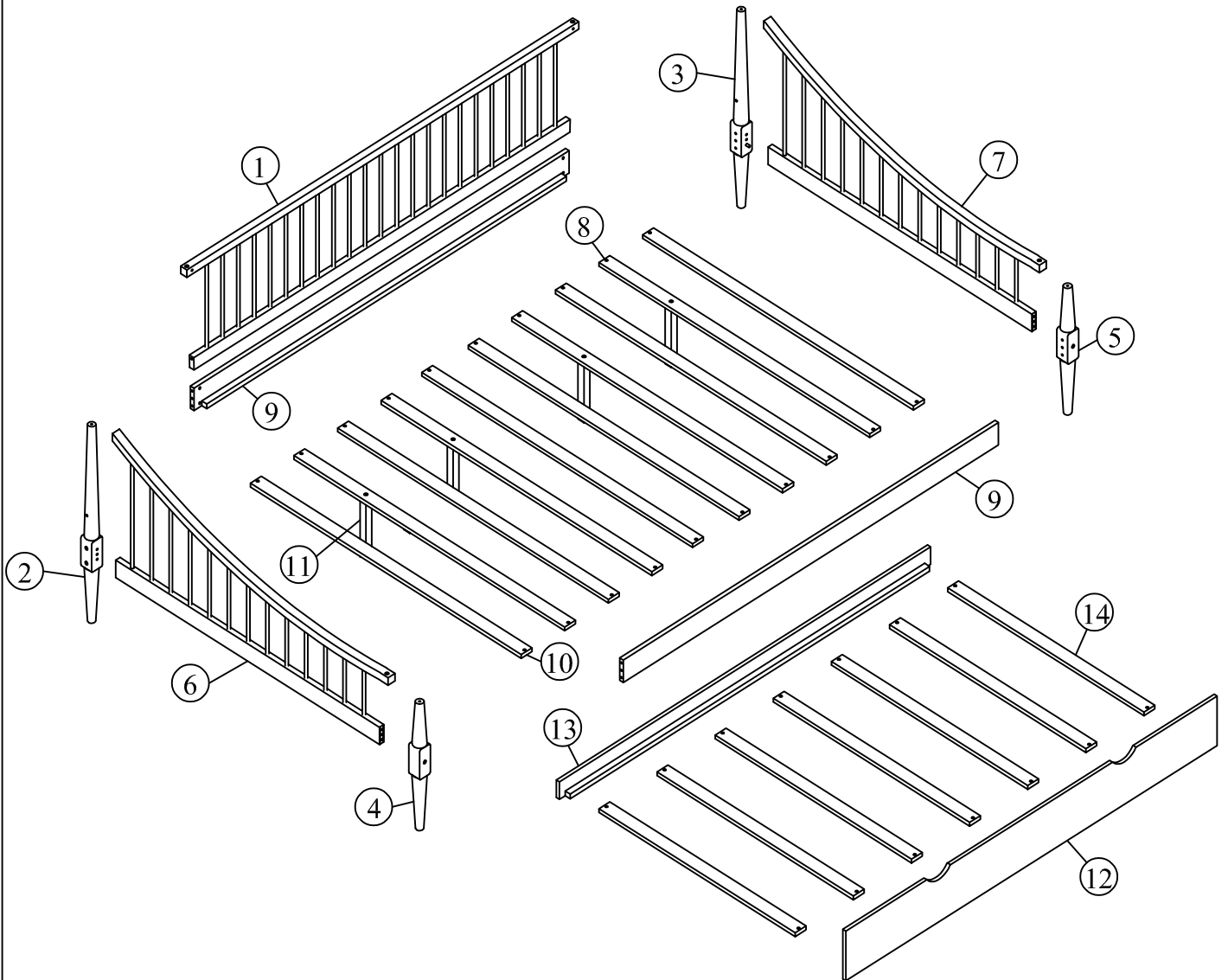


ASSEMBLY INSTRUCTION

SKU CODE: WF 315874 / WF 315875

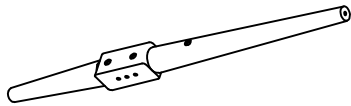


Detail:



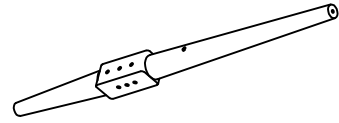
Part List (WF 315874)

② x1



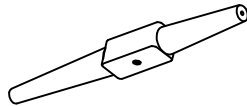
Back Left Leg

③ x1



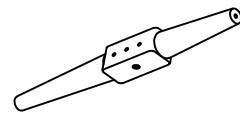
Back Right Leg

④ x1



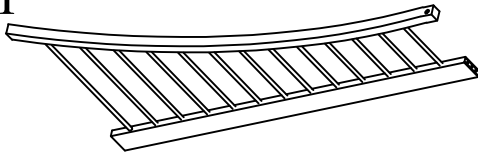
Front Left Leg

⑤ x1



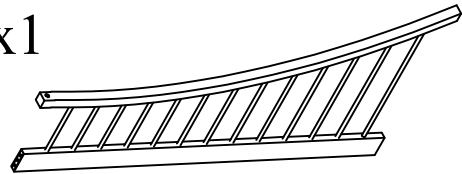
Front Right Leg

⑥ x1



Left Side Panel

⑦ x1



Right Side Panel

⑧ x4



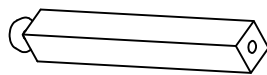
Slats

⑩ x6



Slats

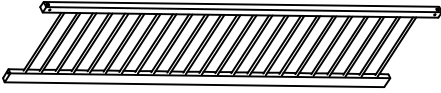
⑪ x4



Support Legs

Part List (WF 315875)

① x1



Front Panel

⑨ x2



Side Rails

⑫ x1



Front Trundle

⑬ x1



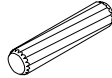

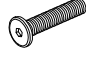


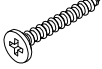




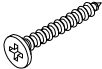
Back Trundle

⑭ x7

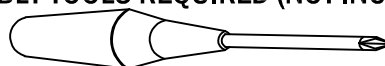


Slats

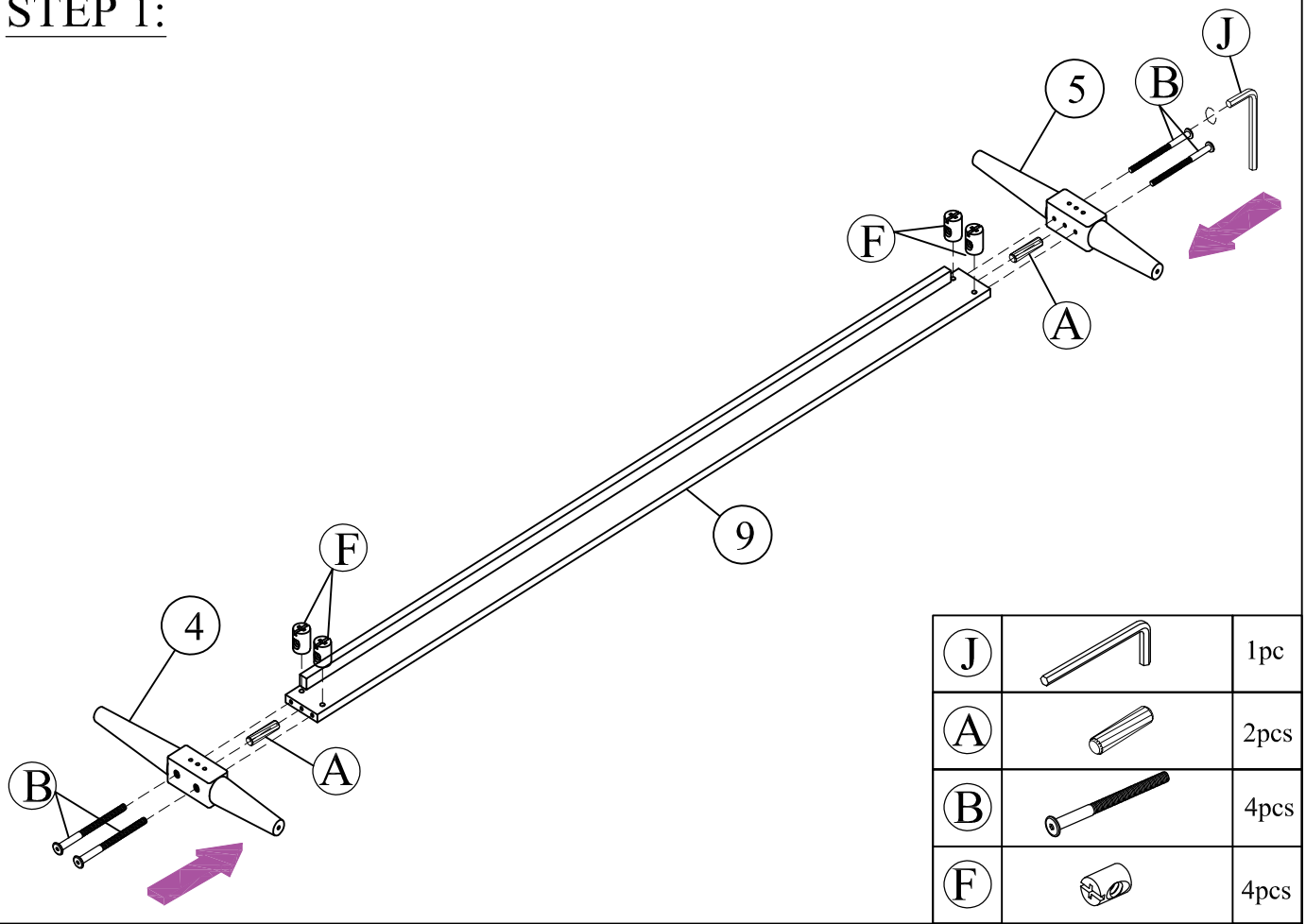
Hardware List (WF 315874)

No.	OUTLOOK	DESC	QTY
(A)		Dowel Ø8*30mm	12pcs
(B)		Bolts M6*90mm	14pcs
(C)		Bolts M6*40mm	6pcs
(D)		Bolts M6*30mm	4pcs
(F)		Cross dowel M6*13mm	14pcs
(G)		Round head screw #8*25mm	34pcs
(H)		Round head screw #7*12mm	8pcs
(I)		Wheels	4pcs
(J)		Allen key 60*22*4mm	1pc
(K)		Pas L	4pcs
(L)		Round head screw #7*15mm	8pcs

ASSEMBLY TOOLS REQUIRED (NOT INCLUDED)

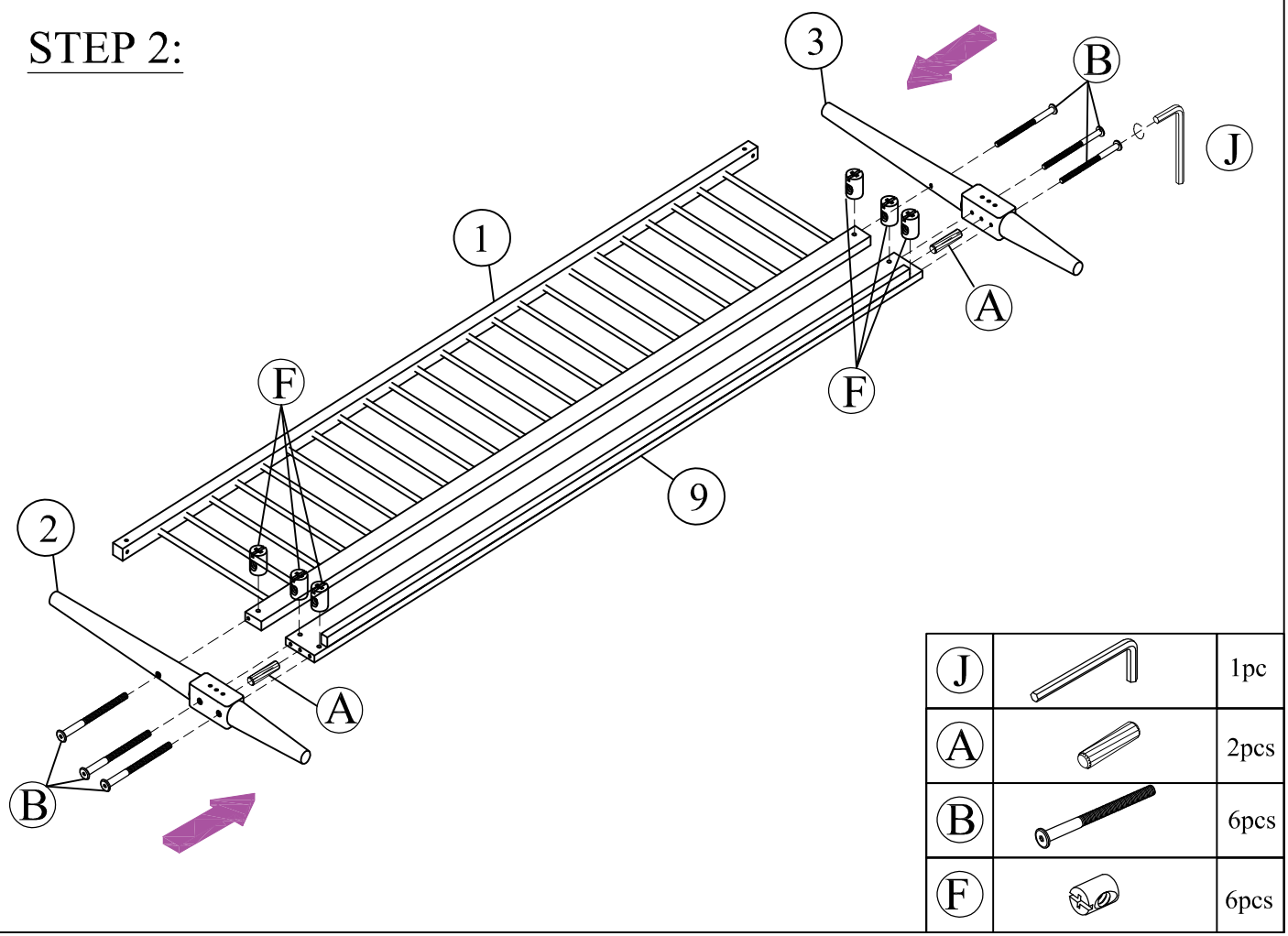


STEP 1:



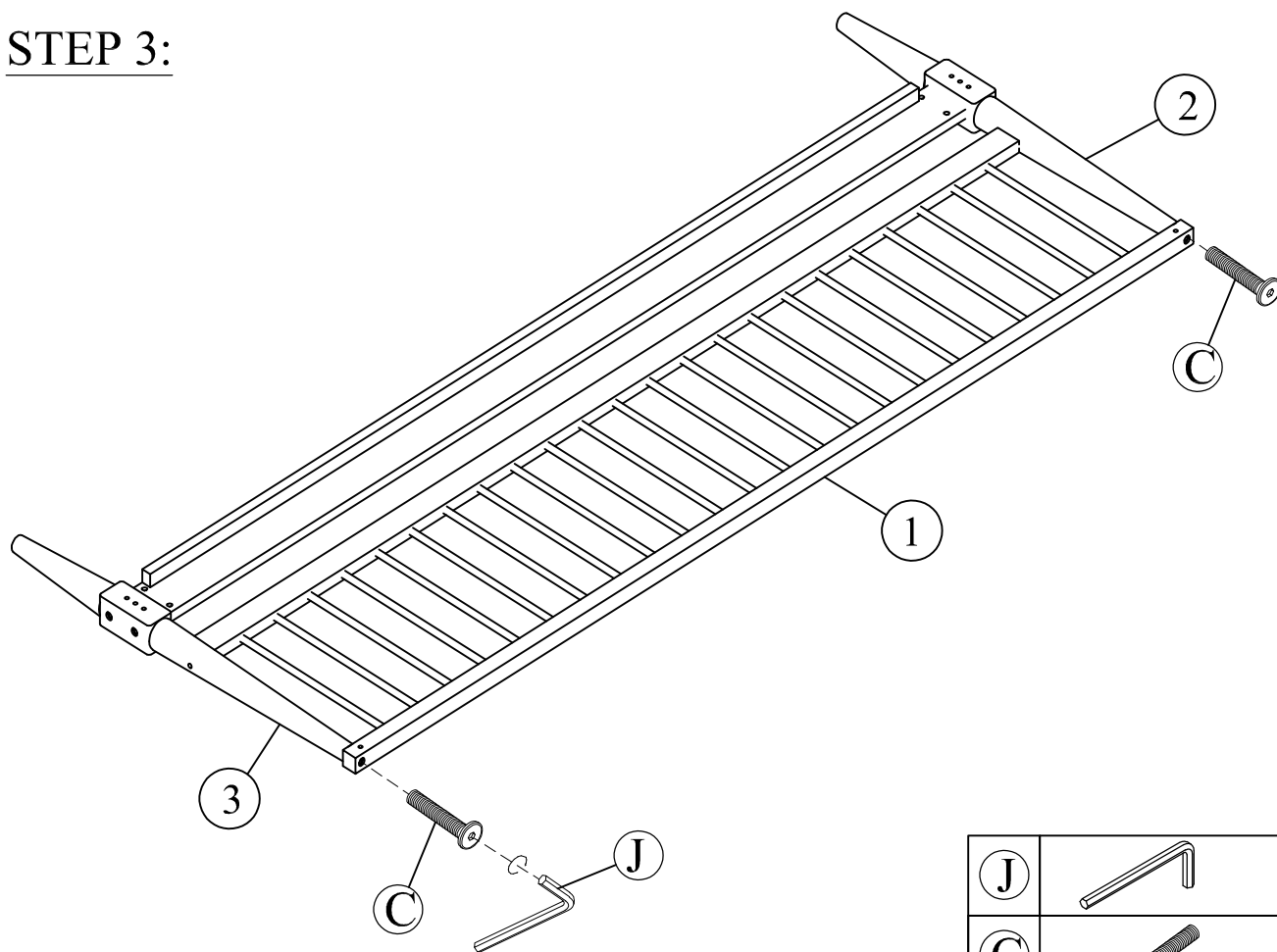
(J)		1pc
(A)		2pcs
(B)		4pcs
(F)		4pcs

STEP 2:



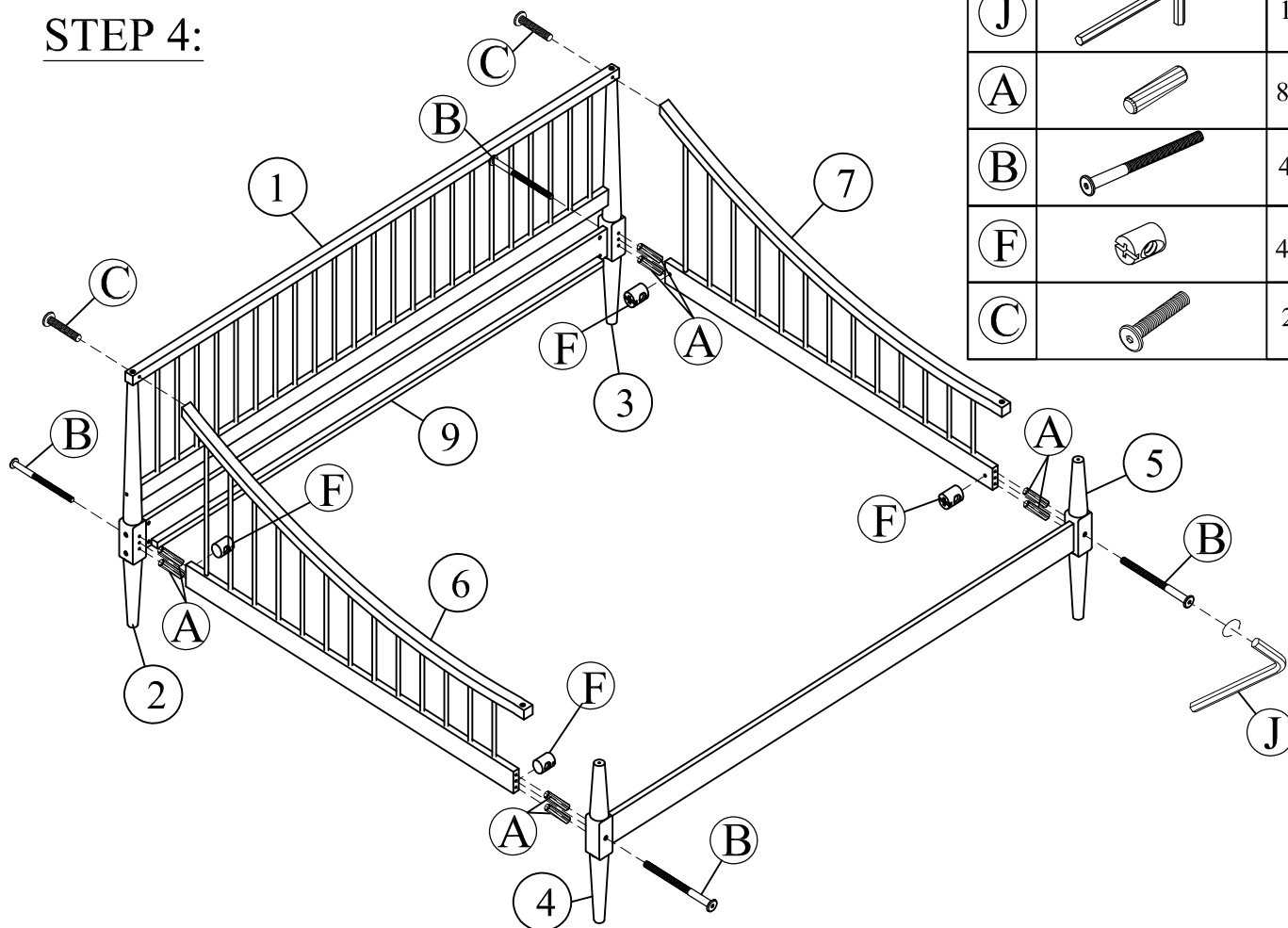
(J)		1pc
(A)		2pcs
(B)		6pcs
(F)		6pcs

STEP 3:

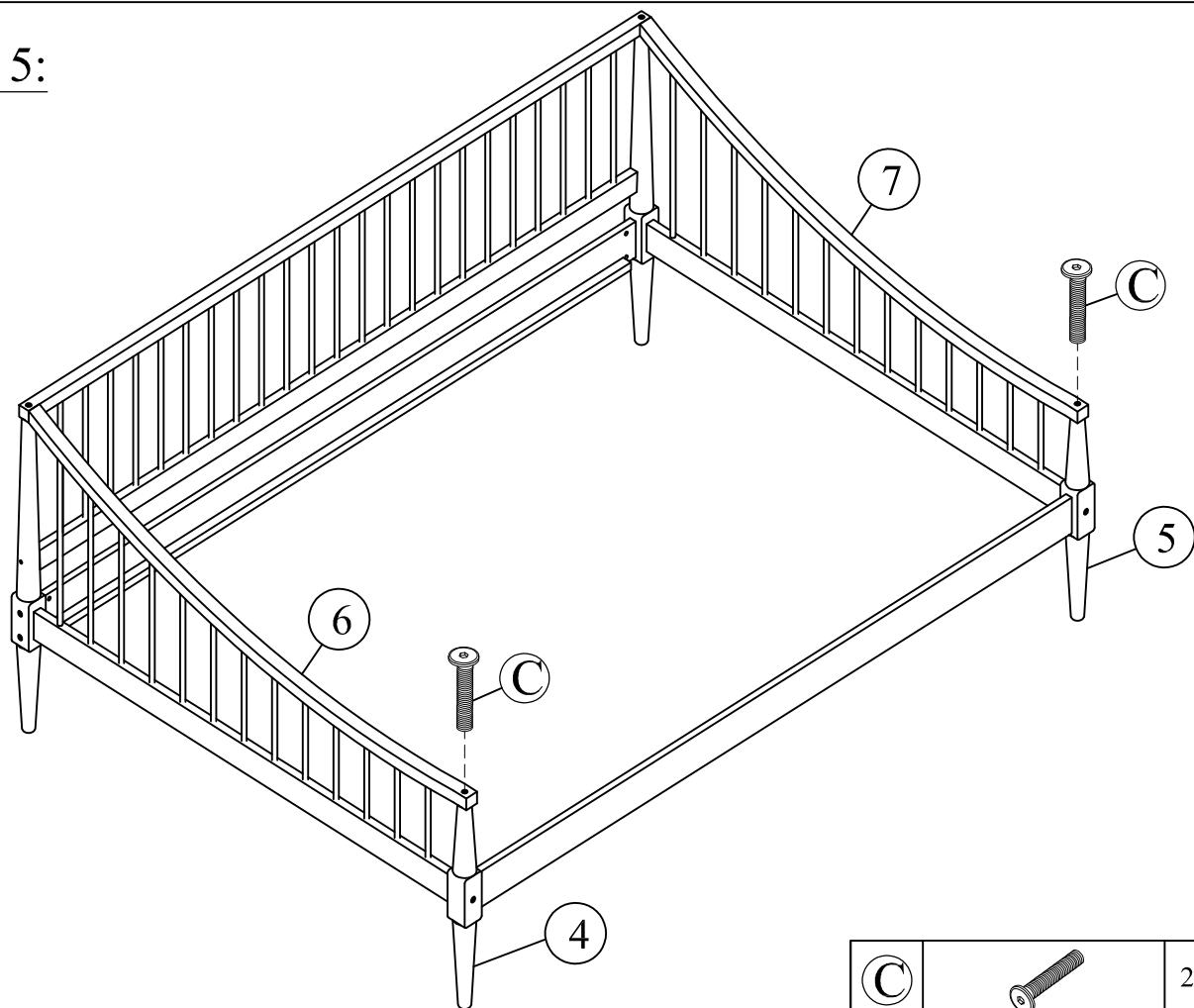






(J)		1pc
(C)		2pcs
(J)		1pc
(A)		8pcs
(B)		4pcs
(F)		4pcs
(C)		2pcs

STEP 4:

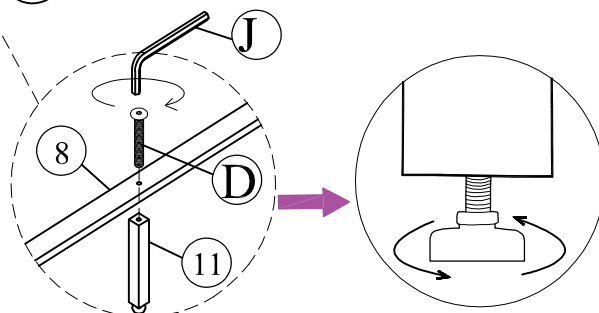
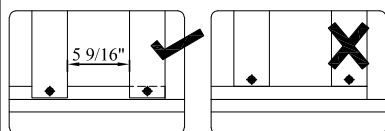
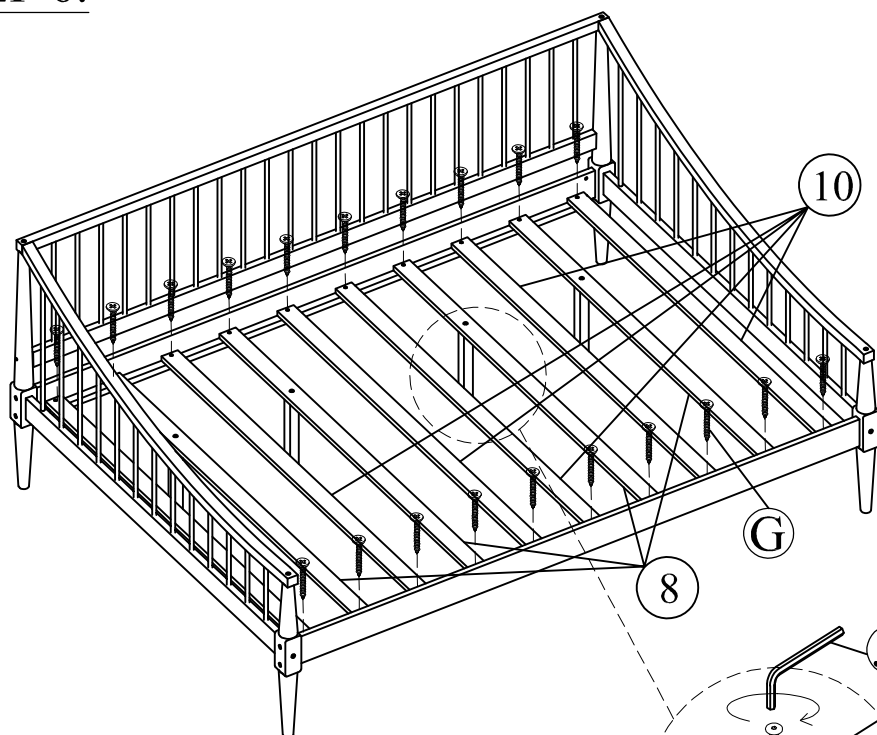


STEP 5:

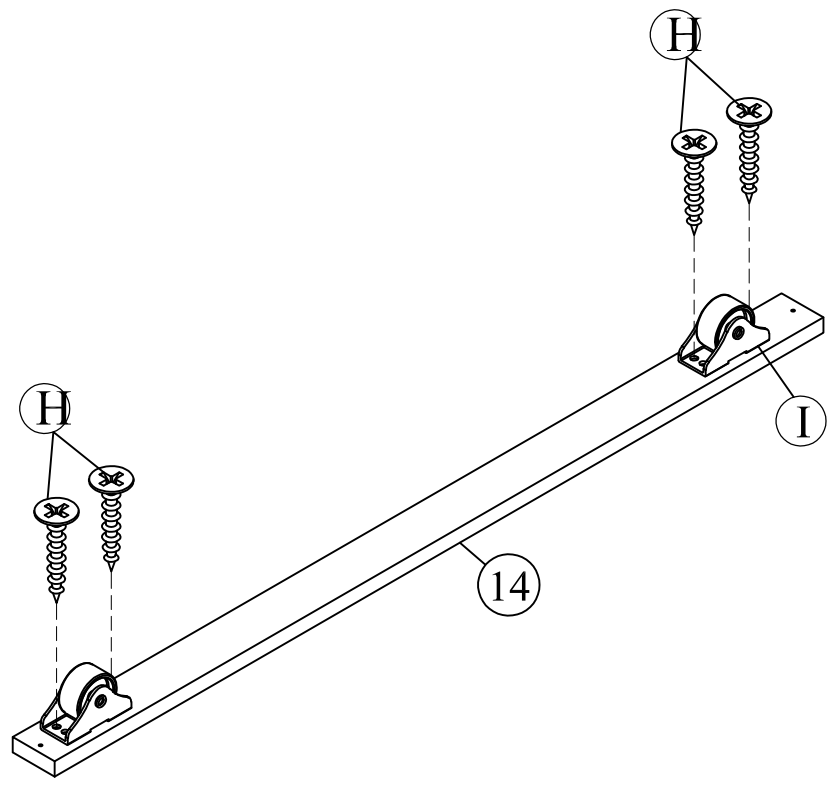


C		2pcs
D		4pcs
G		20pcs
J		1pc

STEP 6:



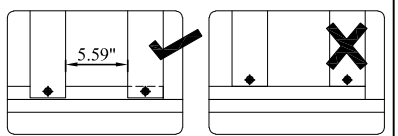
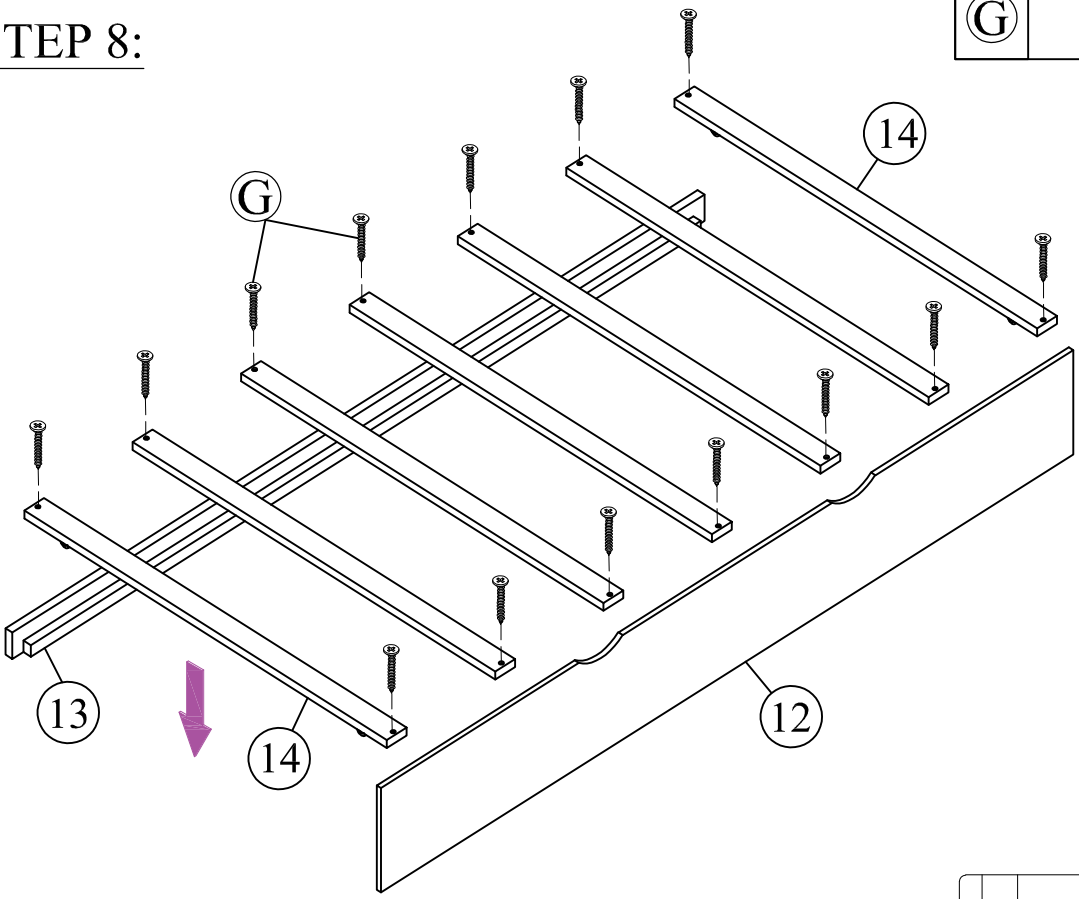
STEP 7:





X2

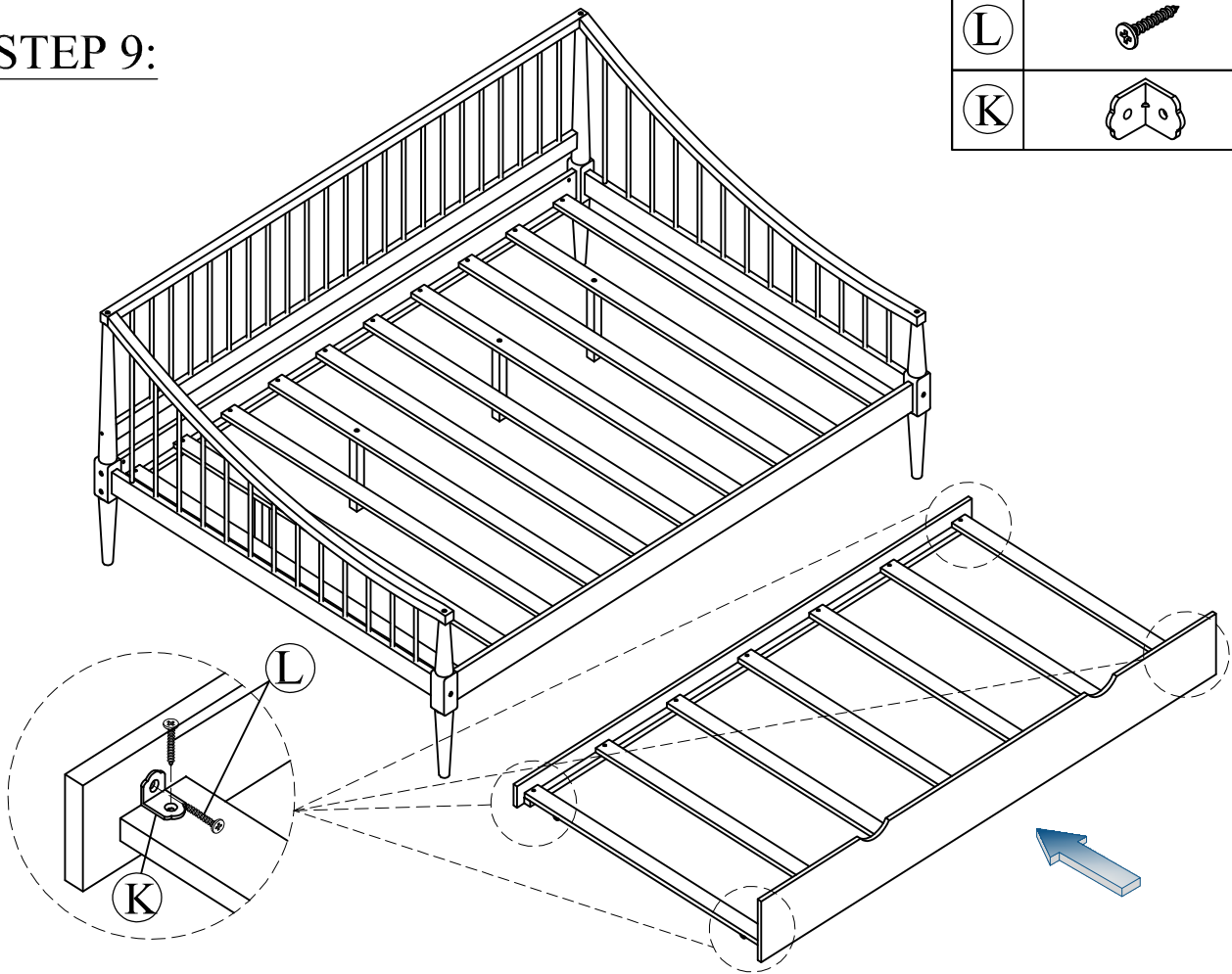
(H)		8pcs
(I)		4pcs
(G)		14pcs

STEP 8:

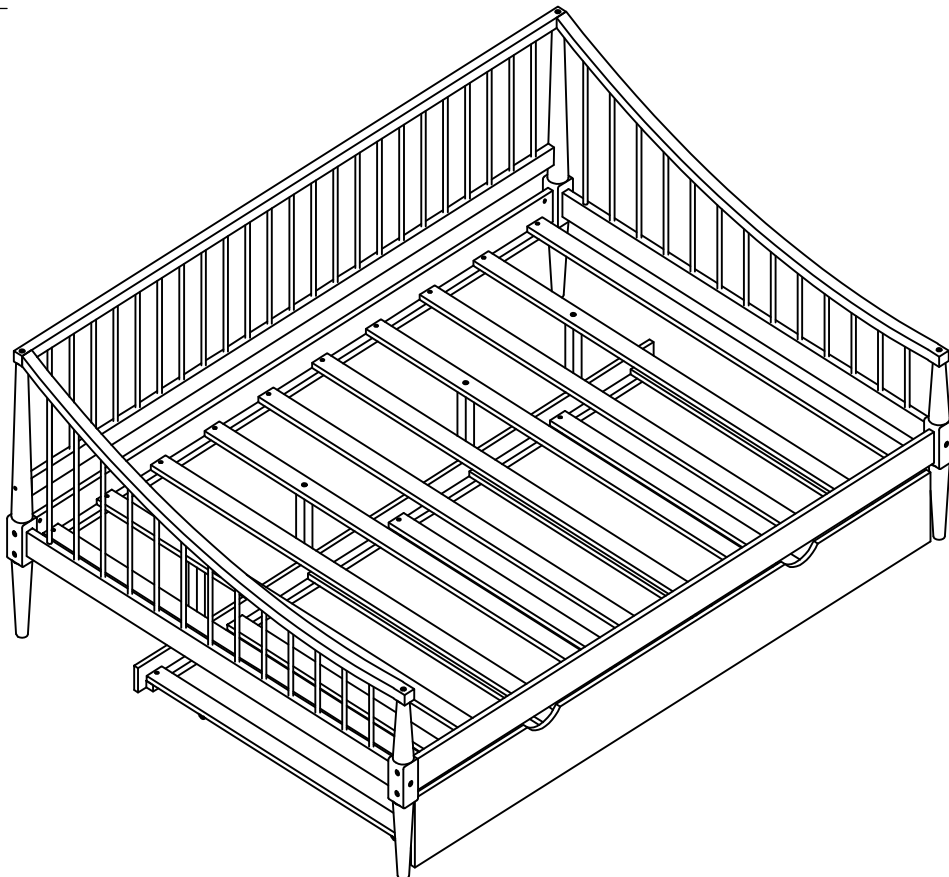


STEP 9:

(L)		8pcs
(K)		4pcs



STEP 10:



FINAL:

