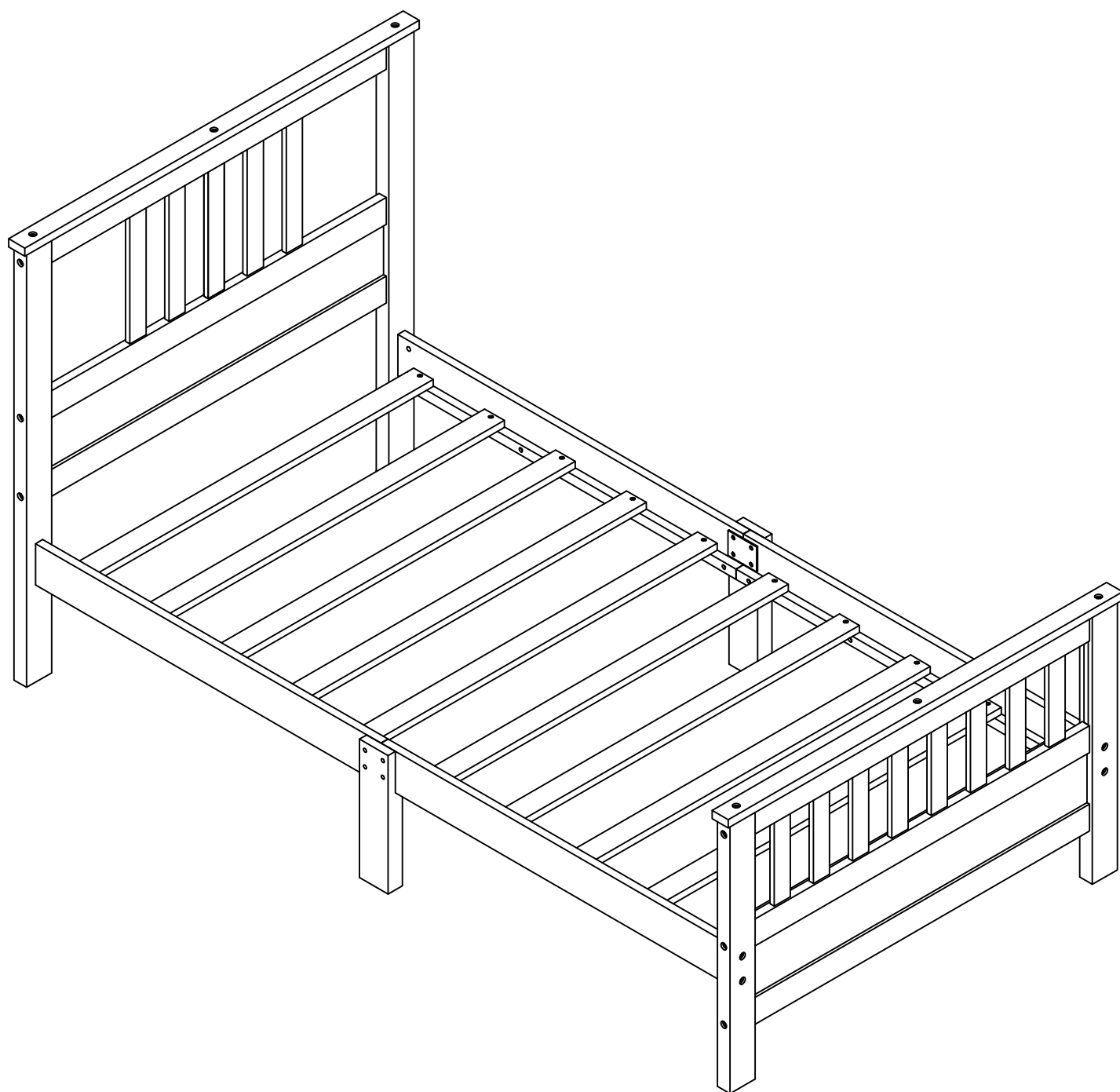


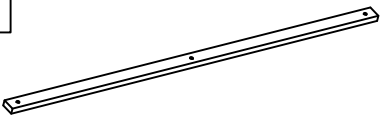
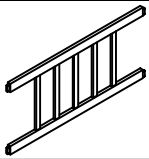
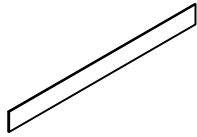
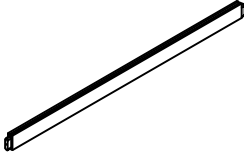
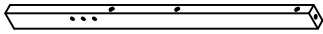
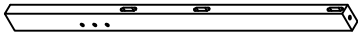
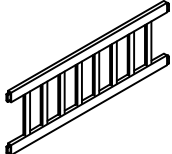
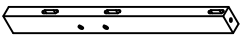
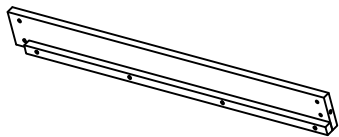
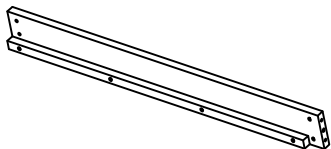
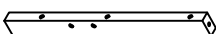
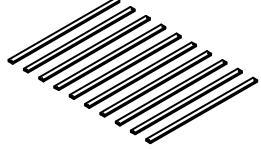

# ASSEMBLY INSTRUCTIONS

## TWIN BED WF192972








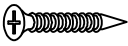
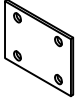
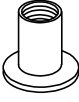




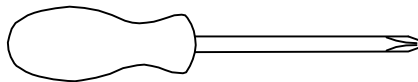
# Part List : WF192972

<b>A</b> 	<b>B</b> 	<b>C</b> 
Horizontal bar - 2pcs	Headboard frame - 1pc	Headboard panel -2pcs
<b>D</b> 	<b>E</b> 	<b>F</b> 
Headboard bottom rail-2pc	Headboard Leg(Left) - 1pc	Headboard Leg(Right) - 1pc
<b>G</b> 	<b>K</b> 	<b>L1</b> 
Footboard Frame - 1pc	Footboard leg (Right) -1pc	Side rail - 2pcs
<b>L</b> 	<b>J</b> 	<b>15</b> 
Side rail - 2pcs	Footboard leg (Left) -1pc	Slats -10pcs
<b>M</b> 		
Center rail Leg -2pcs		

# Hardware List : WF192972

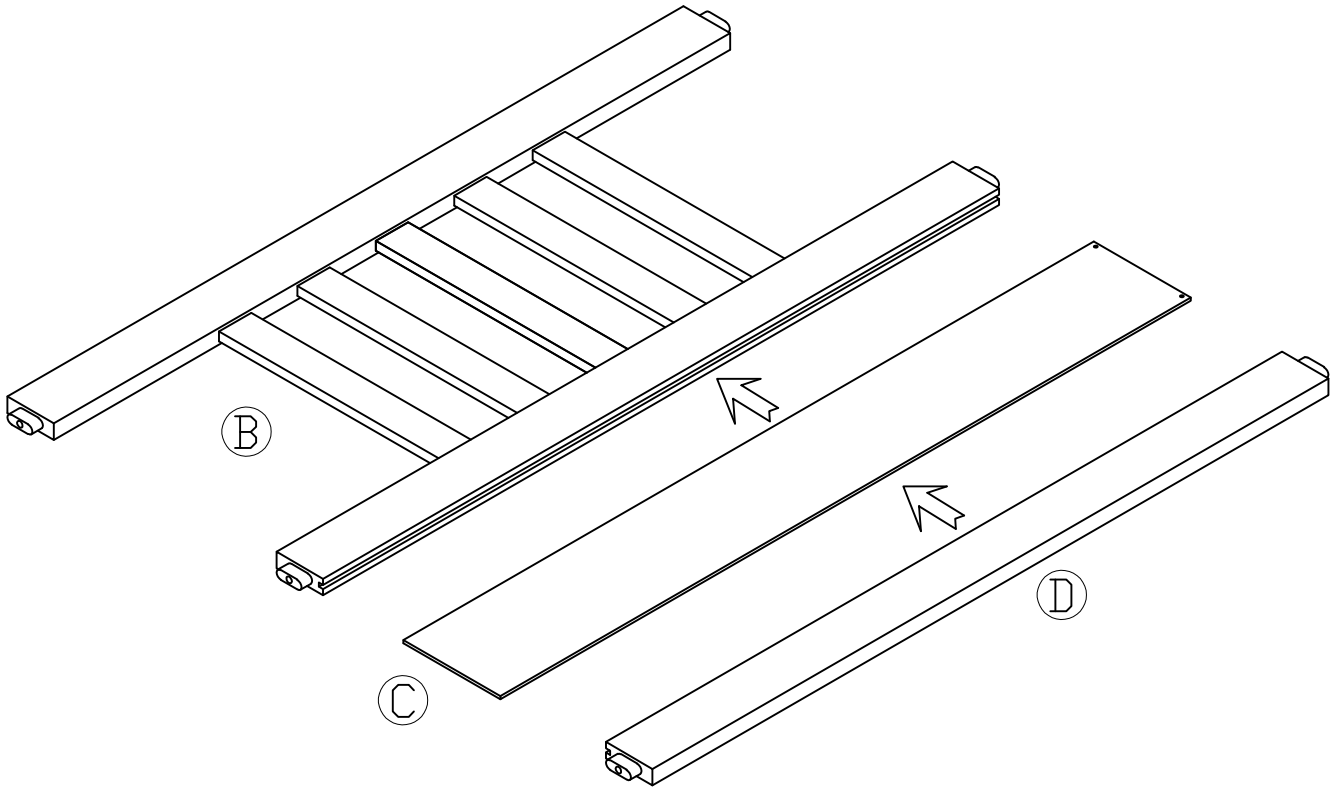
<b>1</b>  Ø10 x 30mm Wood dowel (6pcs)	<b>2</b>  (Ø15)1/4" x 80mm Hex-Head bolts (8pcs)	<b>6</b>  (Ø15)1/4" x 35mm Hex-Head bolts (8pcs)
<b>4</b>  Ø6" x 50mm Hex-Head bolts (6pcs)	<b>5</b>  Ø6" x 100mm Hex-Head bolts (12pcs)	<b>9</b>  (1/4")4.5*58mm Allen key (1pcs)
<b>7</b>  Ø1/4" x 9.5 x 12mm Horizontal-Hole bolts(8pcs)	<b>8</b>  Ø4*30mm Wood screws (20pcs)	<b>10</b>  3*80*60mm Pass (2pcs)
<b>11</b>  Ø1/4" Nut (8pcs)		

ASSEMBLY TOOLS REQUIRED ( NOT INCLUDED )

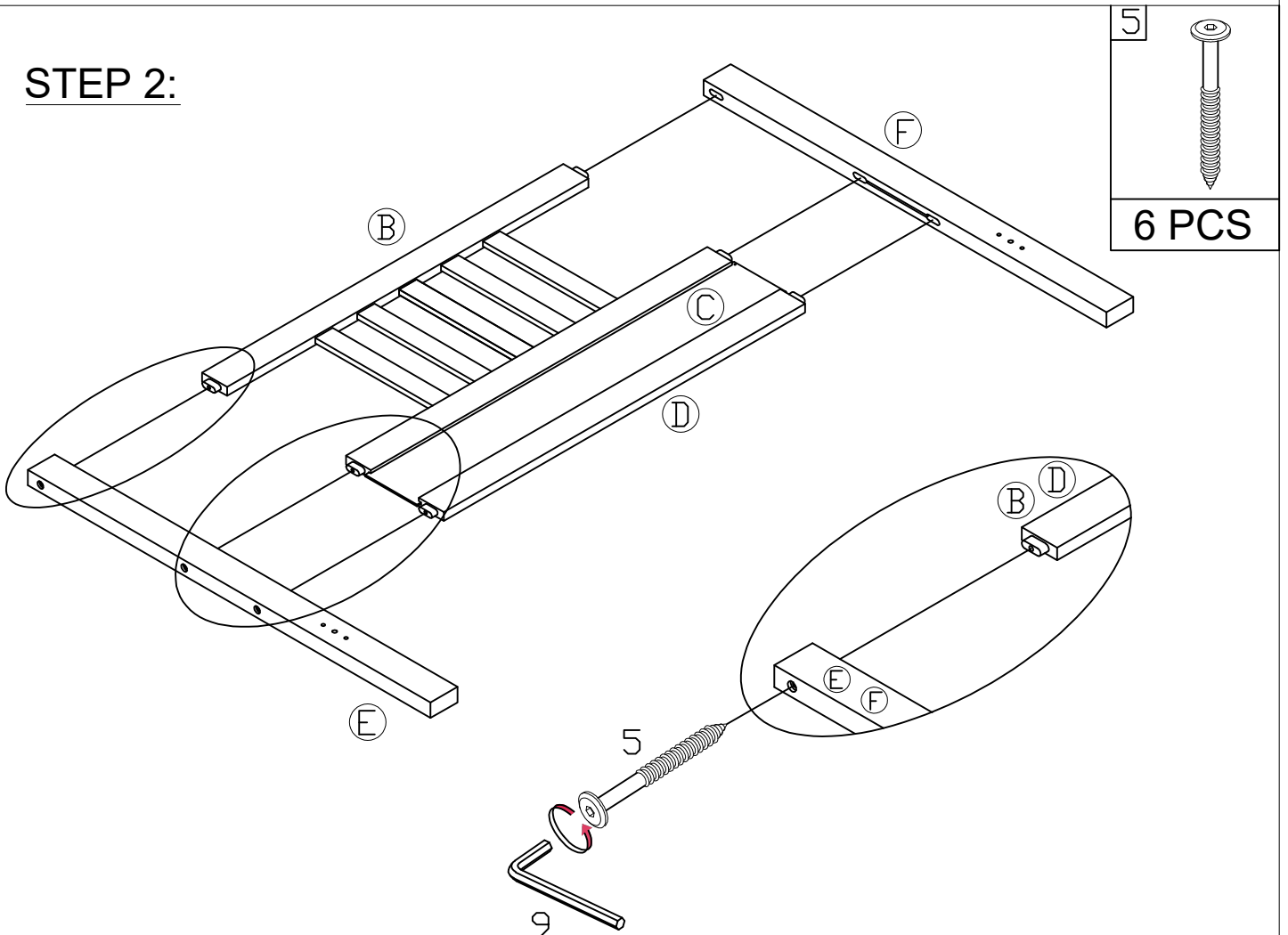


PLEASE BE CAREFUL DO NOT DAMAGE THE HOLE POSITION WHEN YOU USE POWER TOOLS !

**STEP 1:**

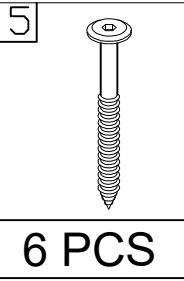
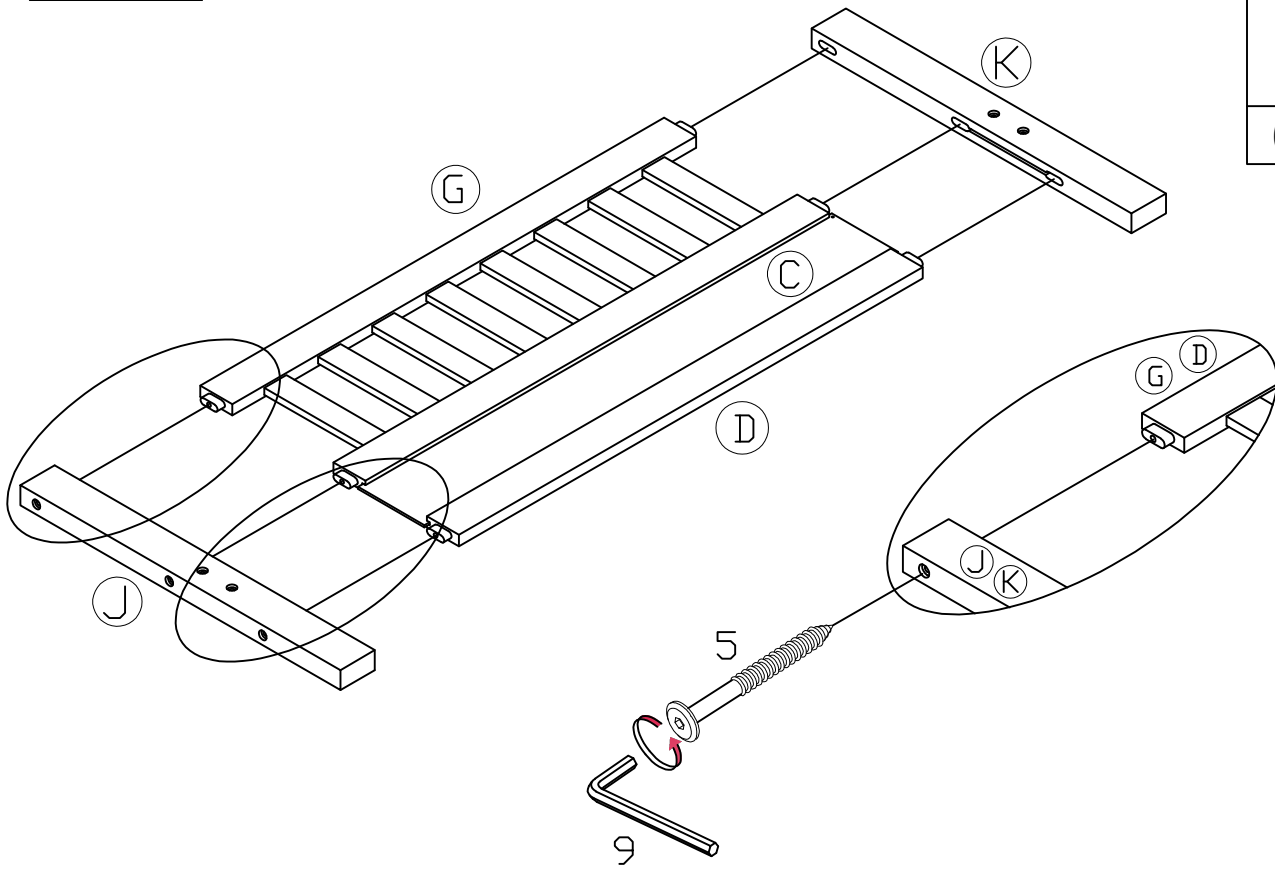


**STEP 2:**

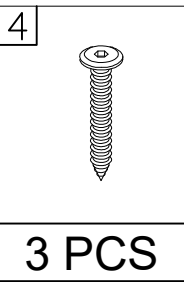
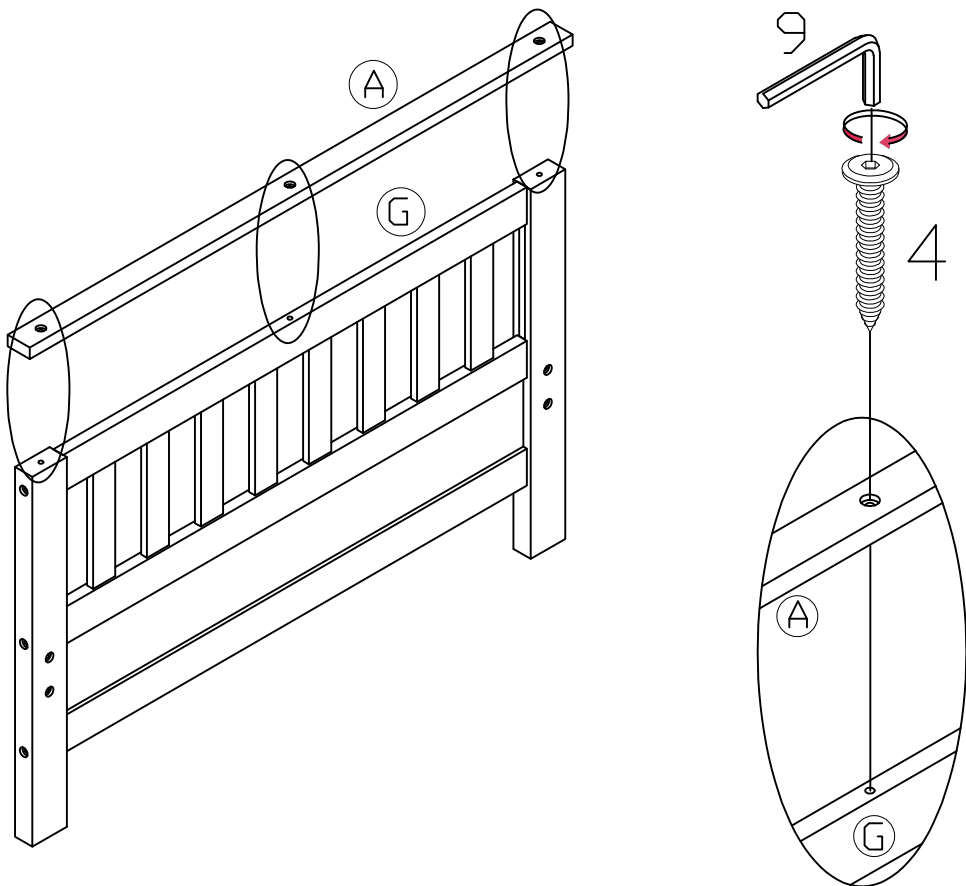




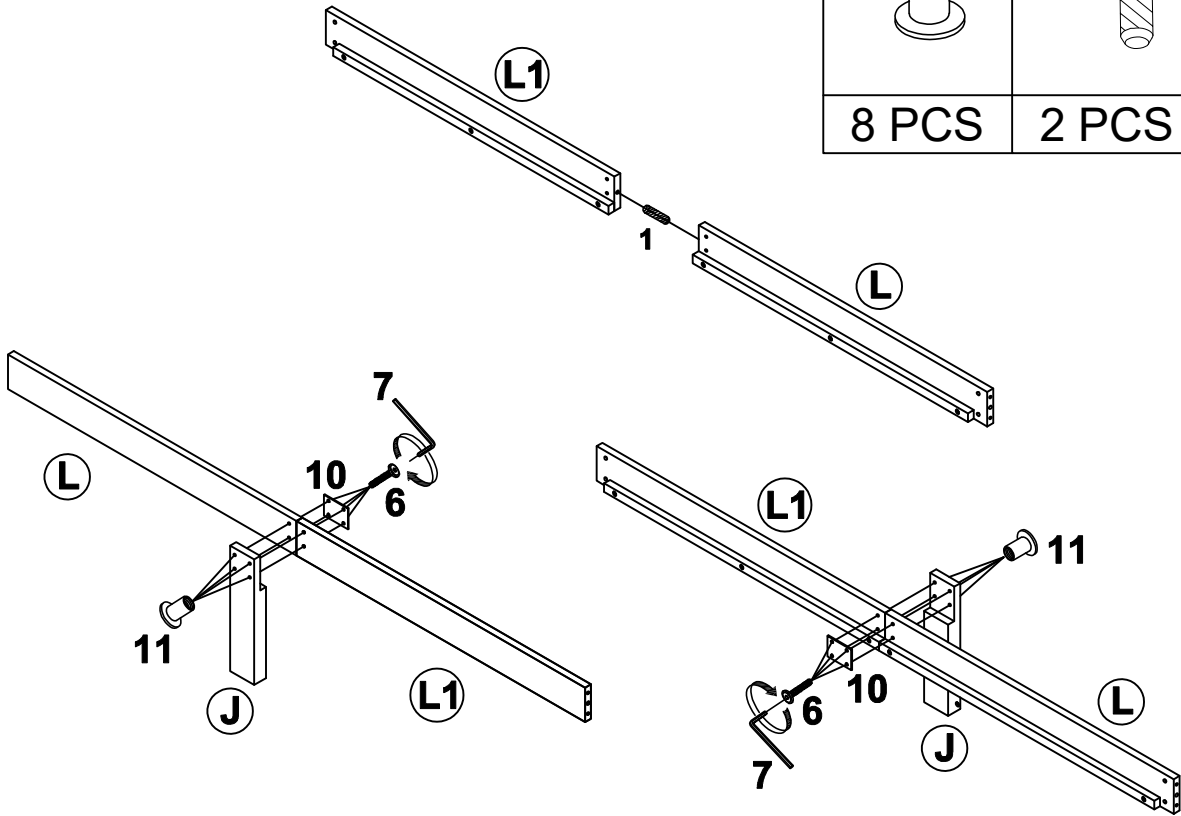
STEP 5:



STEP 6:

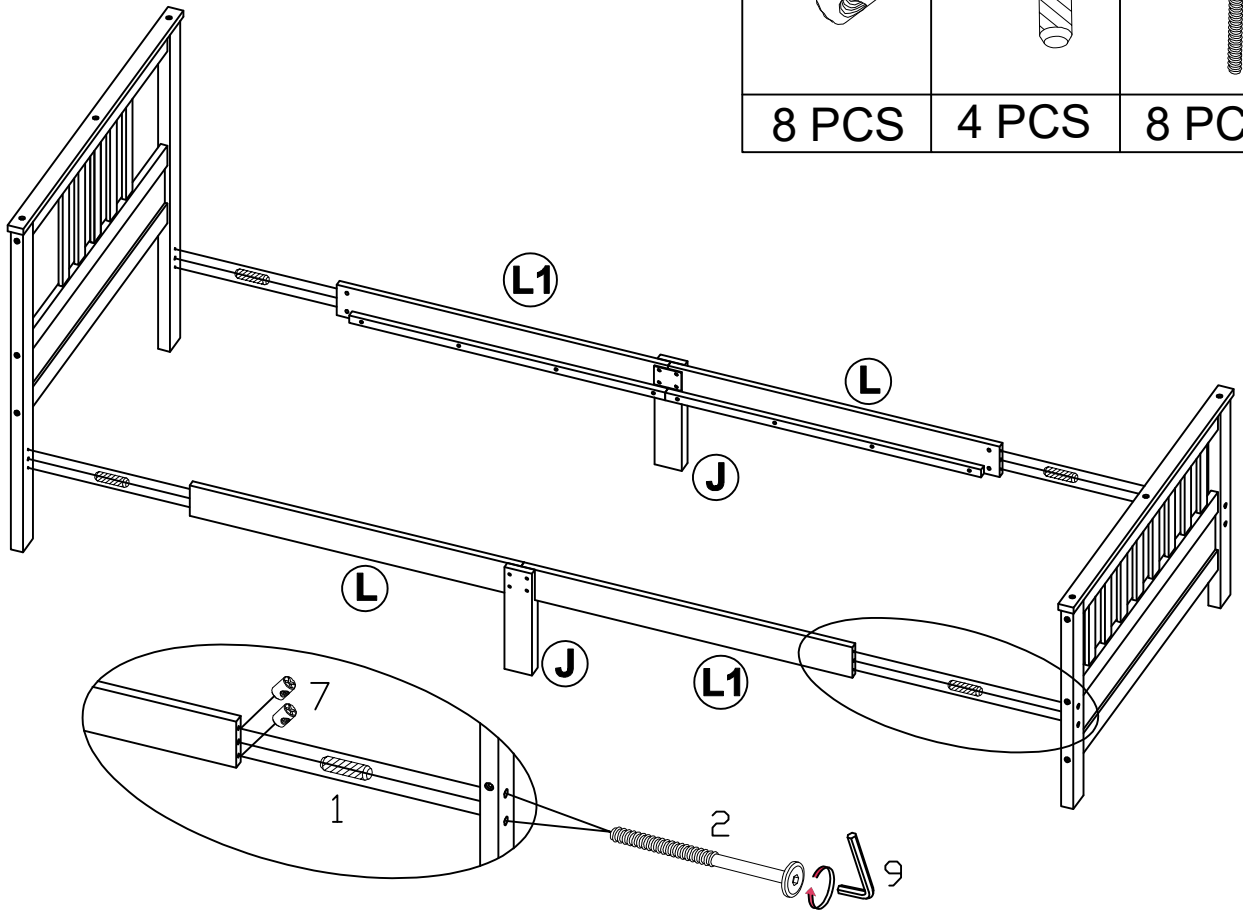


STEP 7:



11	1	6
8 PCS	2 PCS	8 PCS
10		
2 PCS		

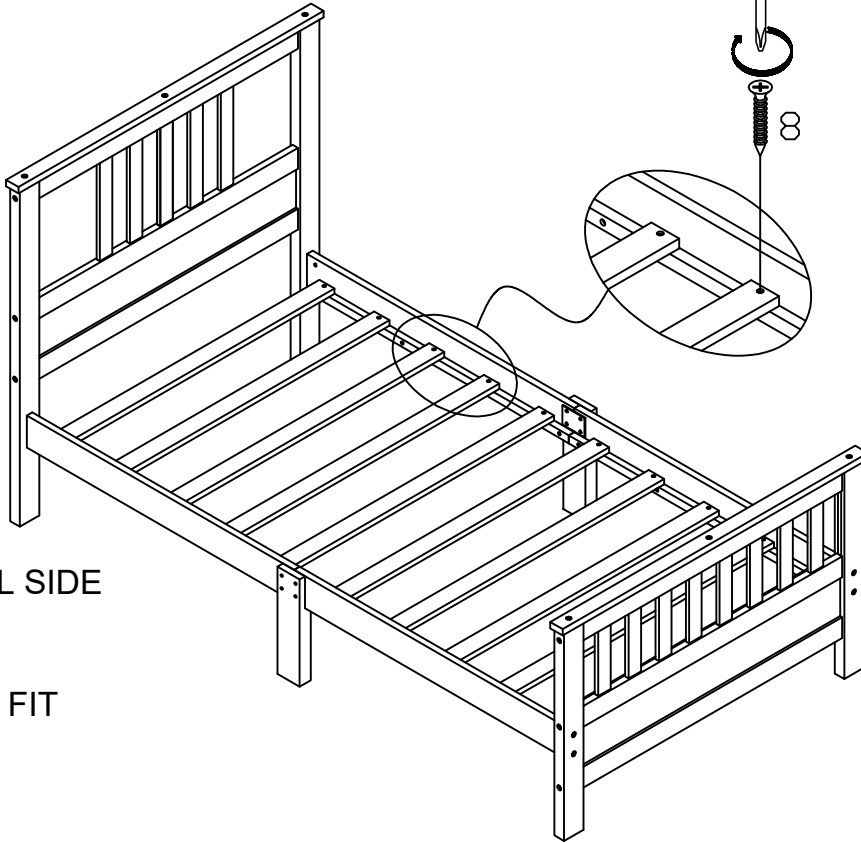
STEP 8:



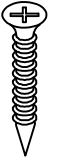
7	1	2
8 PCS	4 PCS	8 PCS



STEP 7:



8



20 PCS

STEP 2: SCREW  
ALL SLATS

STEP 1: PULL SIDE  
RAIL CLOSE  
TOGETHER  
ENOUGH TO FIT  
THE SLATS

STEP 3: TIGHTEN  
100% ALL  
HEXAGON BOLTS

COMPLETED

