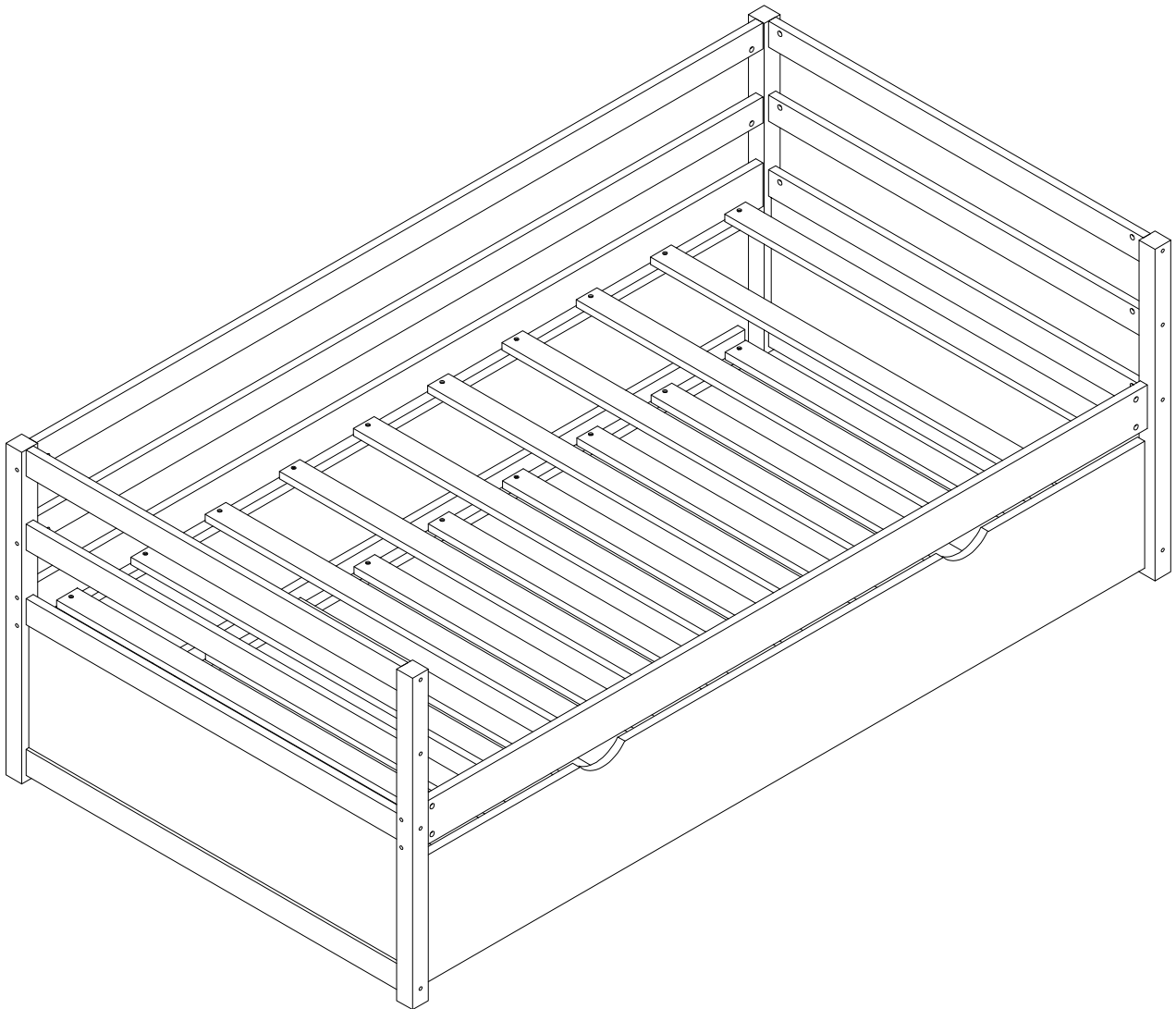
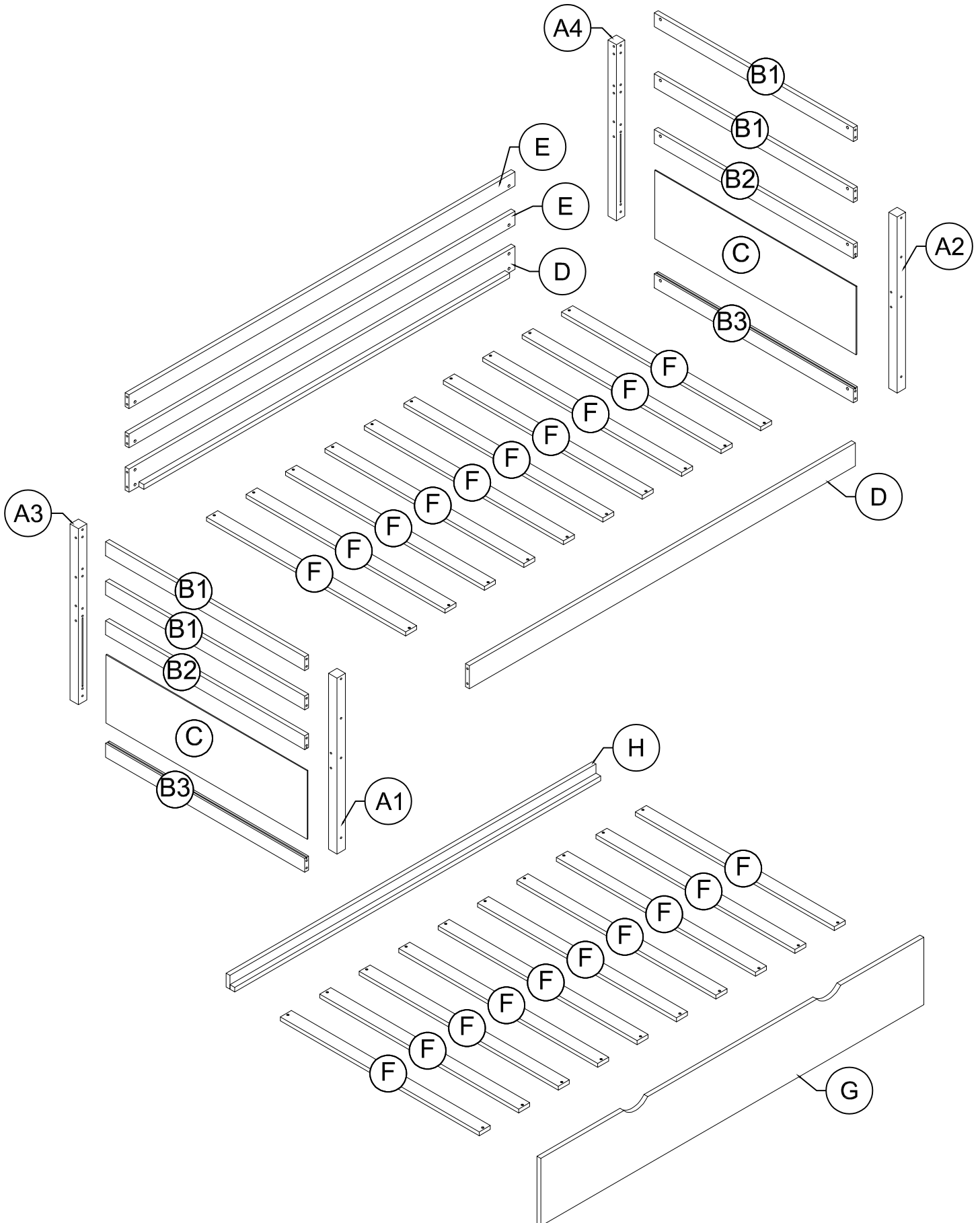


ASSEMBLY INSTRUCTION

SKU CODE: (WF314121)



ASSEMBLY INSTRUCTION



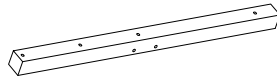
Part List (WF314121)

A1



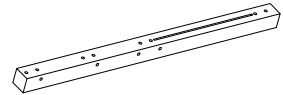
Legs - 1pc

A2



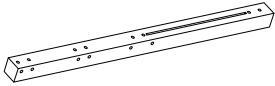
Legs - 1pc

A3



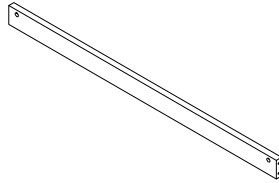
Legs - 1pc

A4



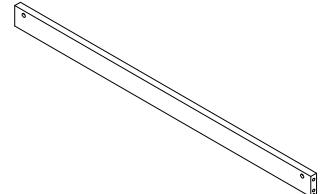
Legs - 1pc

B1



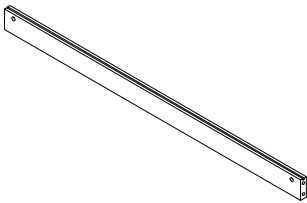
Cross Bar - 4pcs

B2



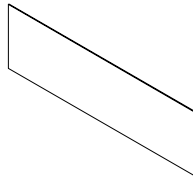
Cross Bar - 2pcs

B3



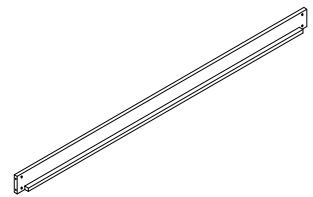
Cross Bar - 2pcs

C



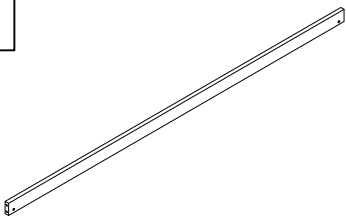
Panels - 2pcs

D



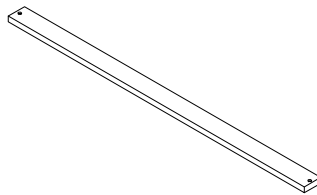
Side Rails - 2pcs

E



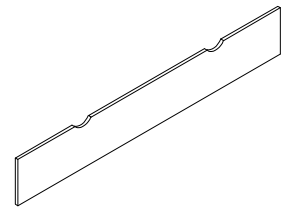
Cross Bar - 2pcs

F



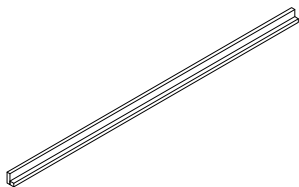
Slats - 20pcs

G



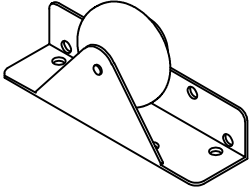


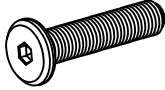


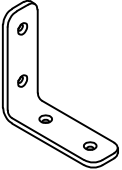

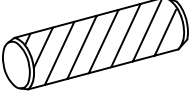
Front Trundle - 1pc

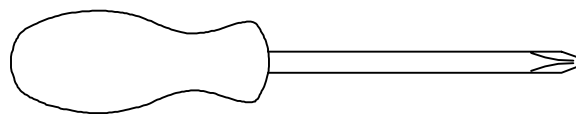
H



Back Trundle - 1pc


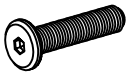
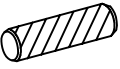
Hardware List (WF314121)

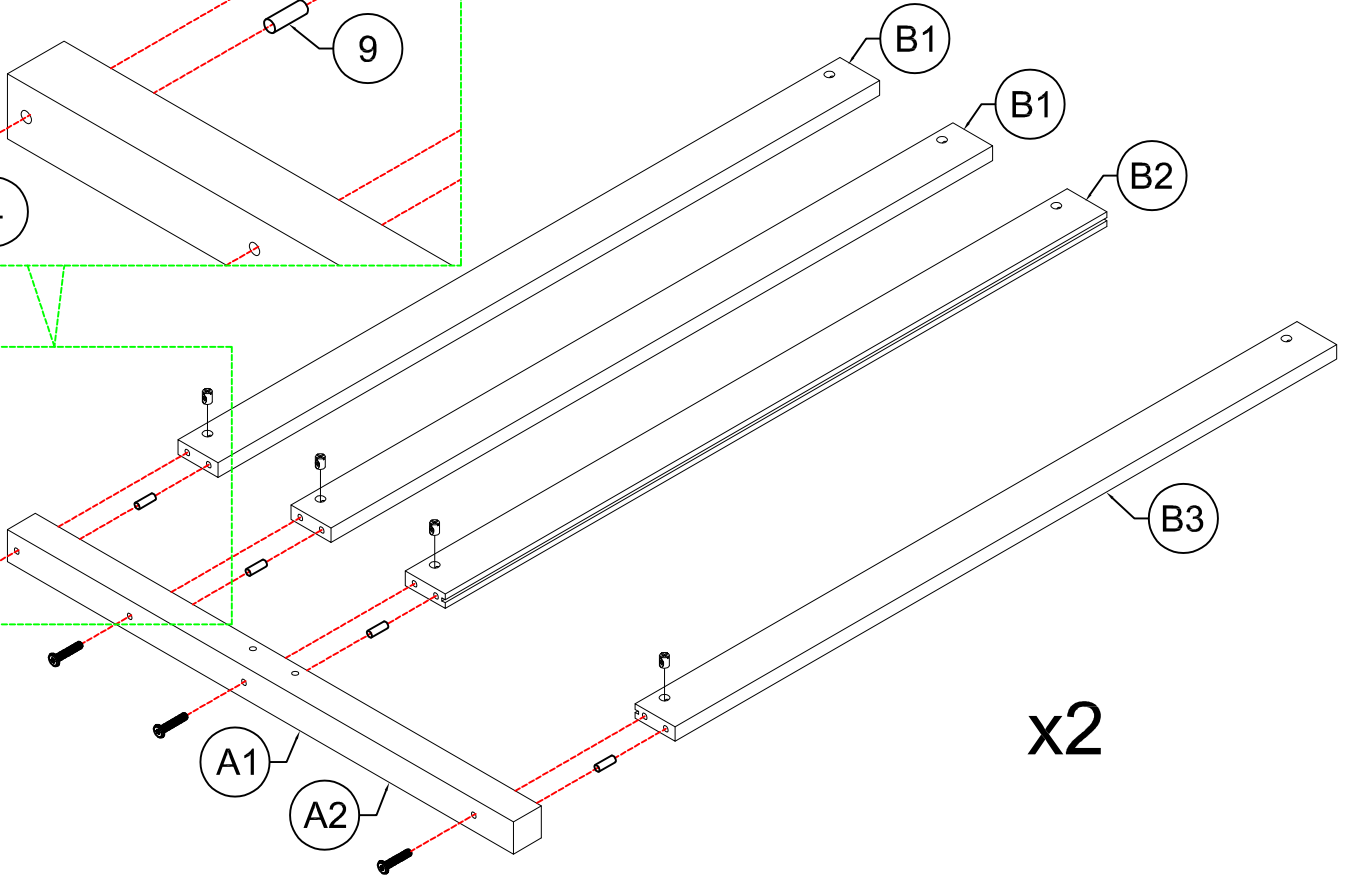
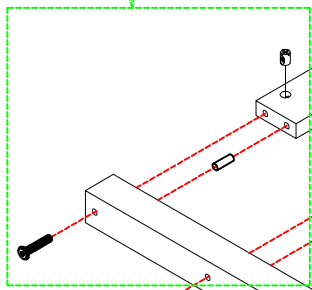
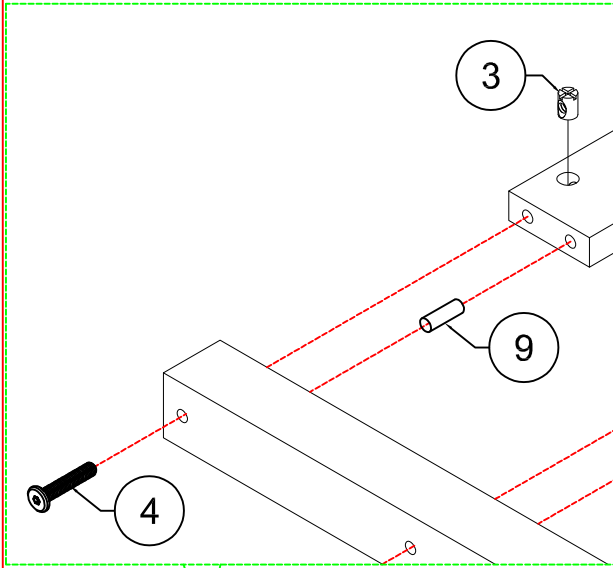
<p>1</p>  <p>Wheels 4pcs</p>	<p>2</p>  <p>Allen Key 1pc</p>	<p>3</p>  <p>1/4" x 15mm Sleeve Nut 28pcs</p>
<p>4</p>  <p>1/4" x 80mm Hex-Head bolts 28pcs</p>	<p>5</p>  <p>M4 x 30 mm Wood Screws 40pcs</p>	<p>6</p>  <p>M4 x 15 mm Wood Screws 24pcs</p>
<p>7</p>  <p>Steel Bracket 3pcs</p>	<p>8</p>  <p>Plastic Drawer Stopped 4pcs</p>	<p>9</p>  <p>Ø10 x 30mm Wood Dowel 20pcs</p>



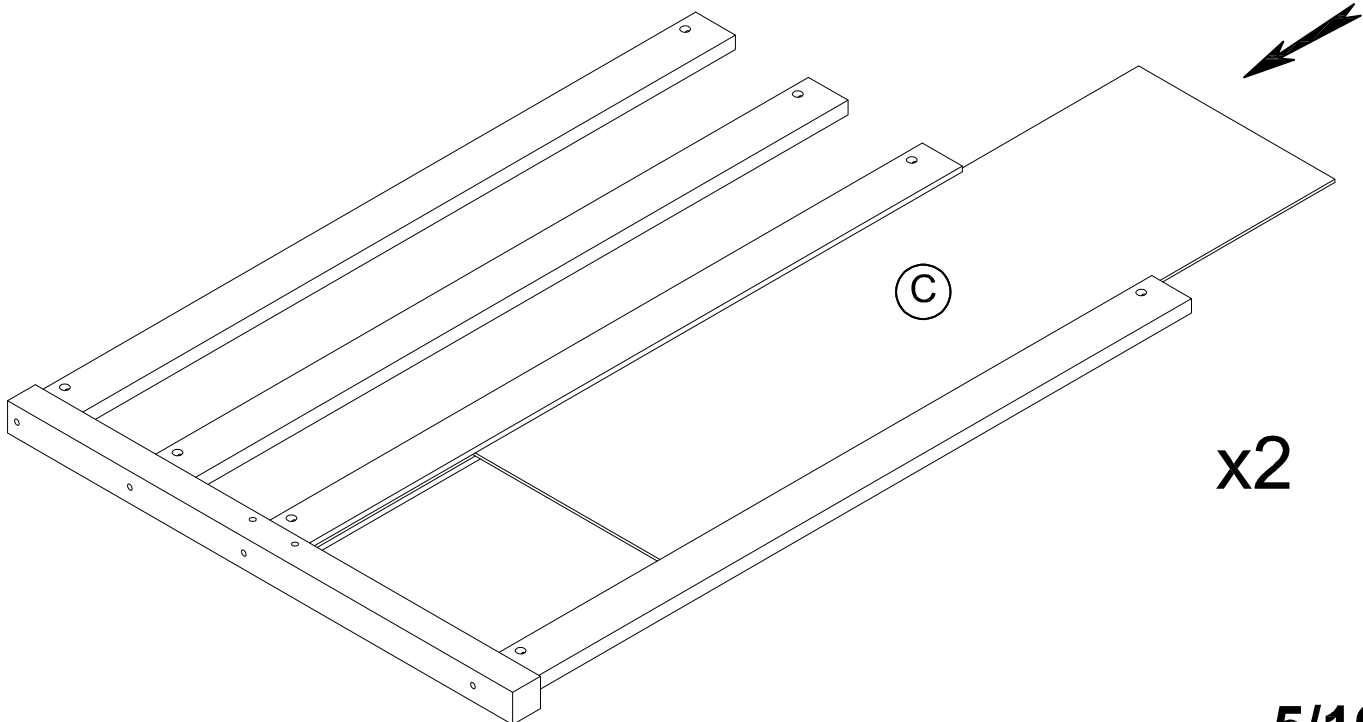
Assembly Tools Required (Not Included)

STEP 1: Following below illustration:


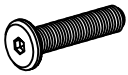
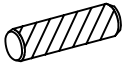
3	4	9
		
8pcs	8pcs	8pcs

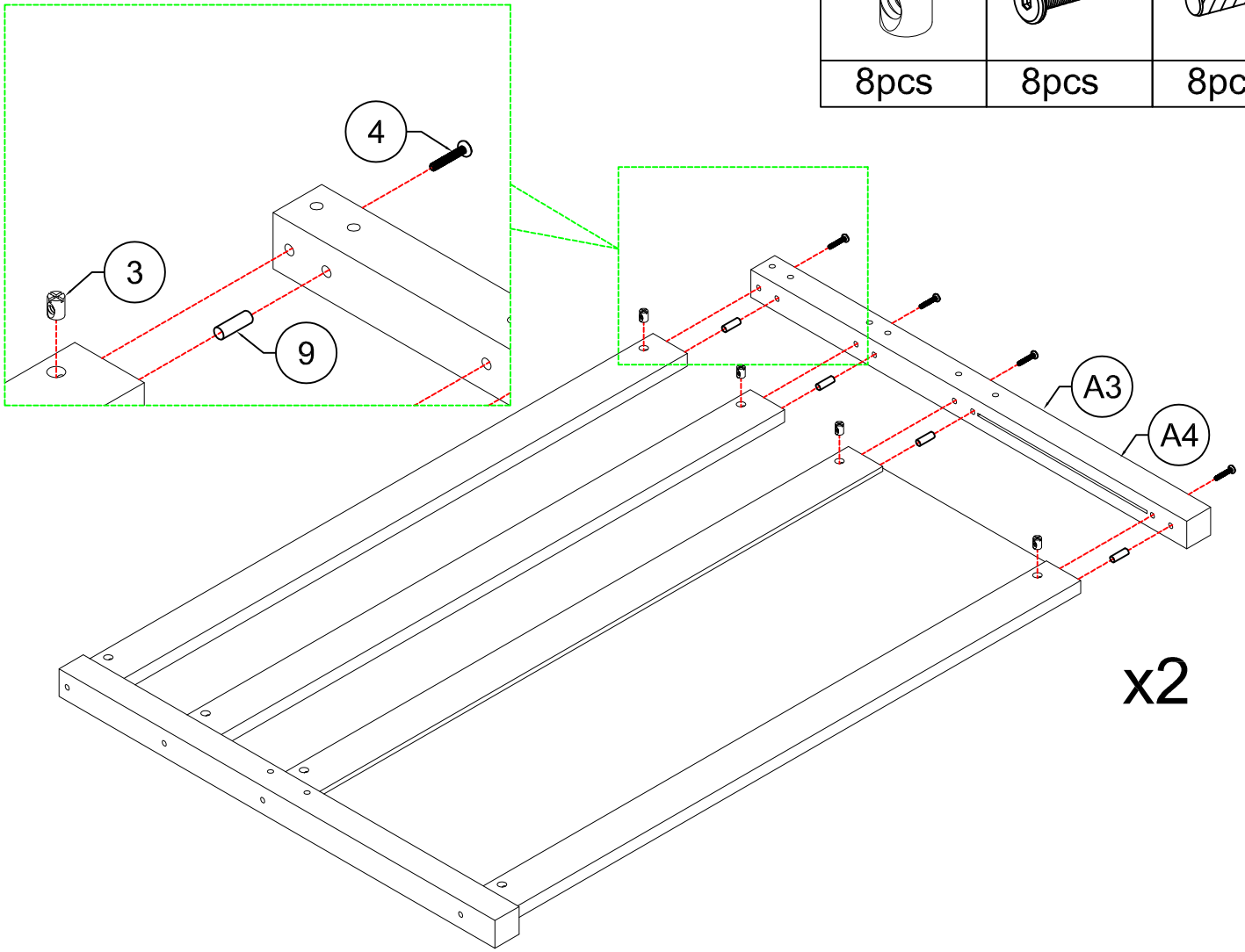


STEP 1-1: Following below illustration:





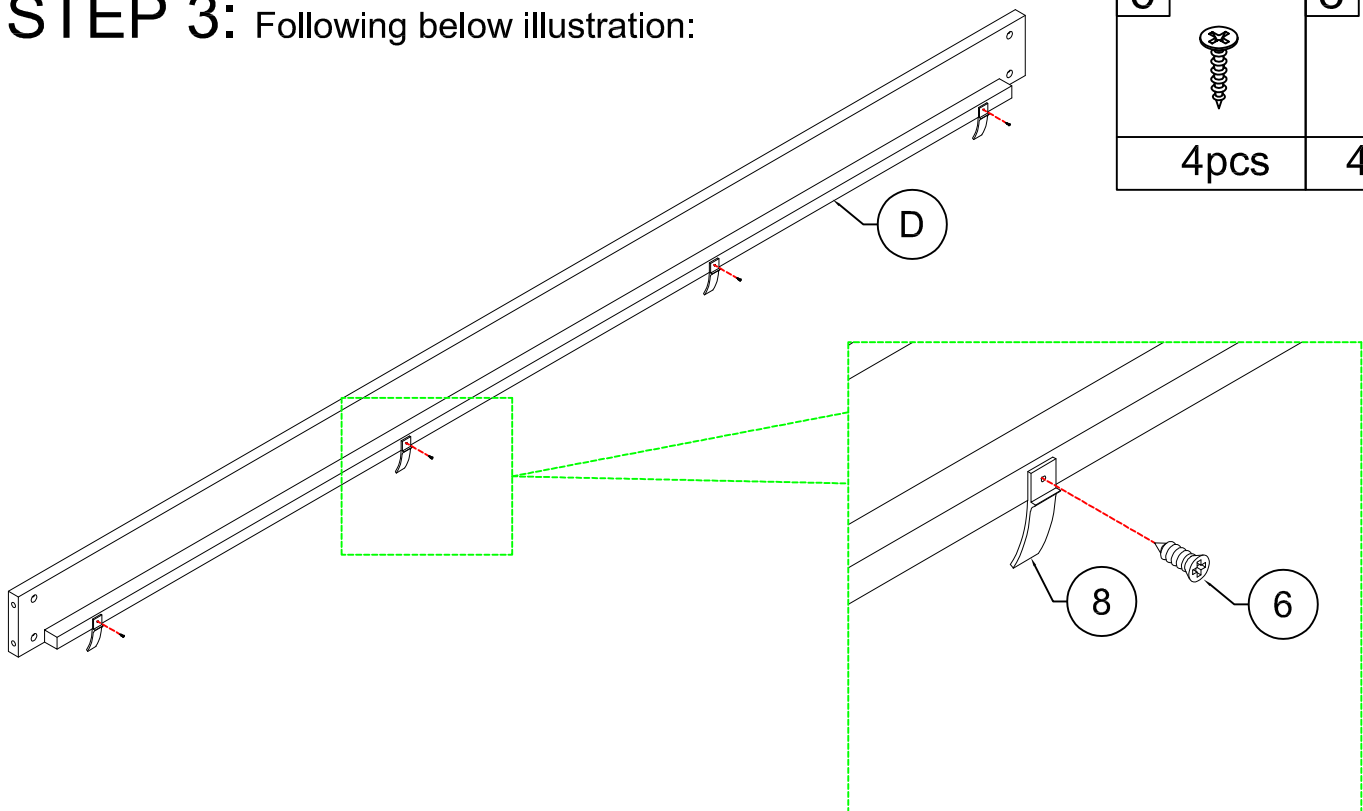
STEP 2: Following below illustration:

3	4	9
		
8pcs	8pcs	8pcs



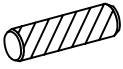


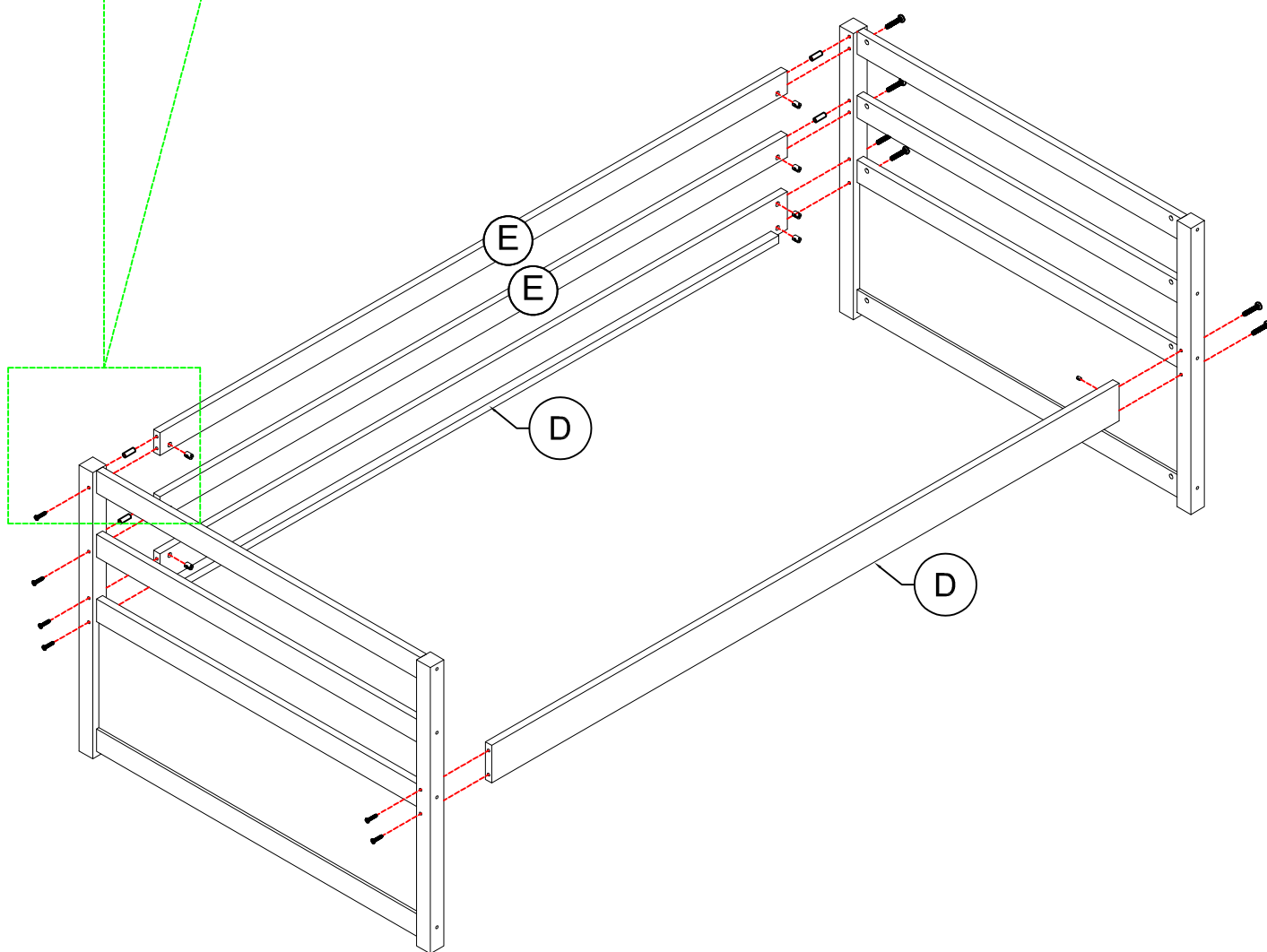
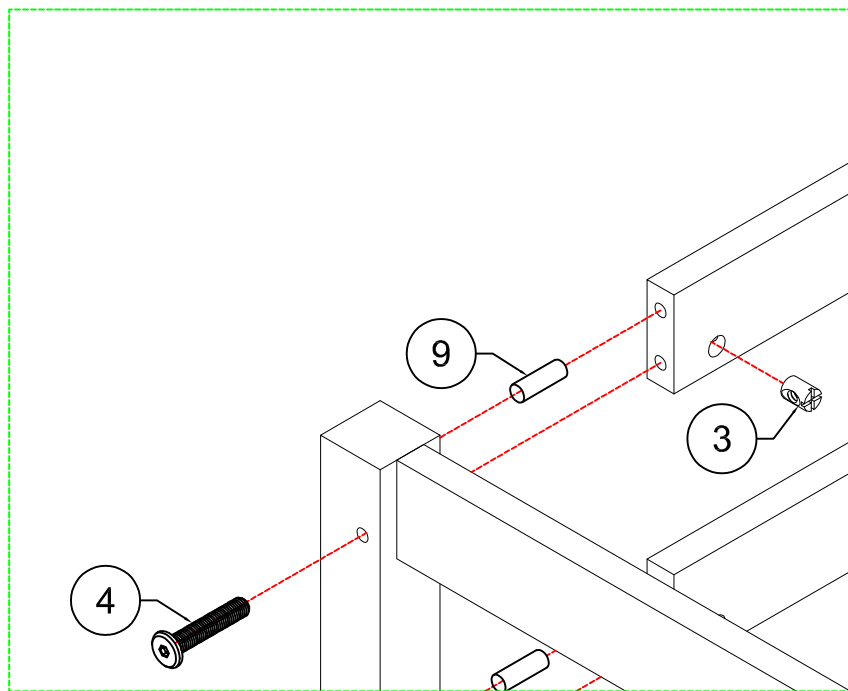
STEP 3: Following below illustration:

6	8
	
4pcs	4pcs




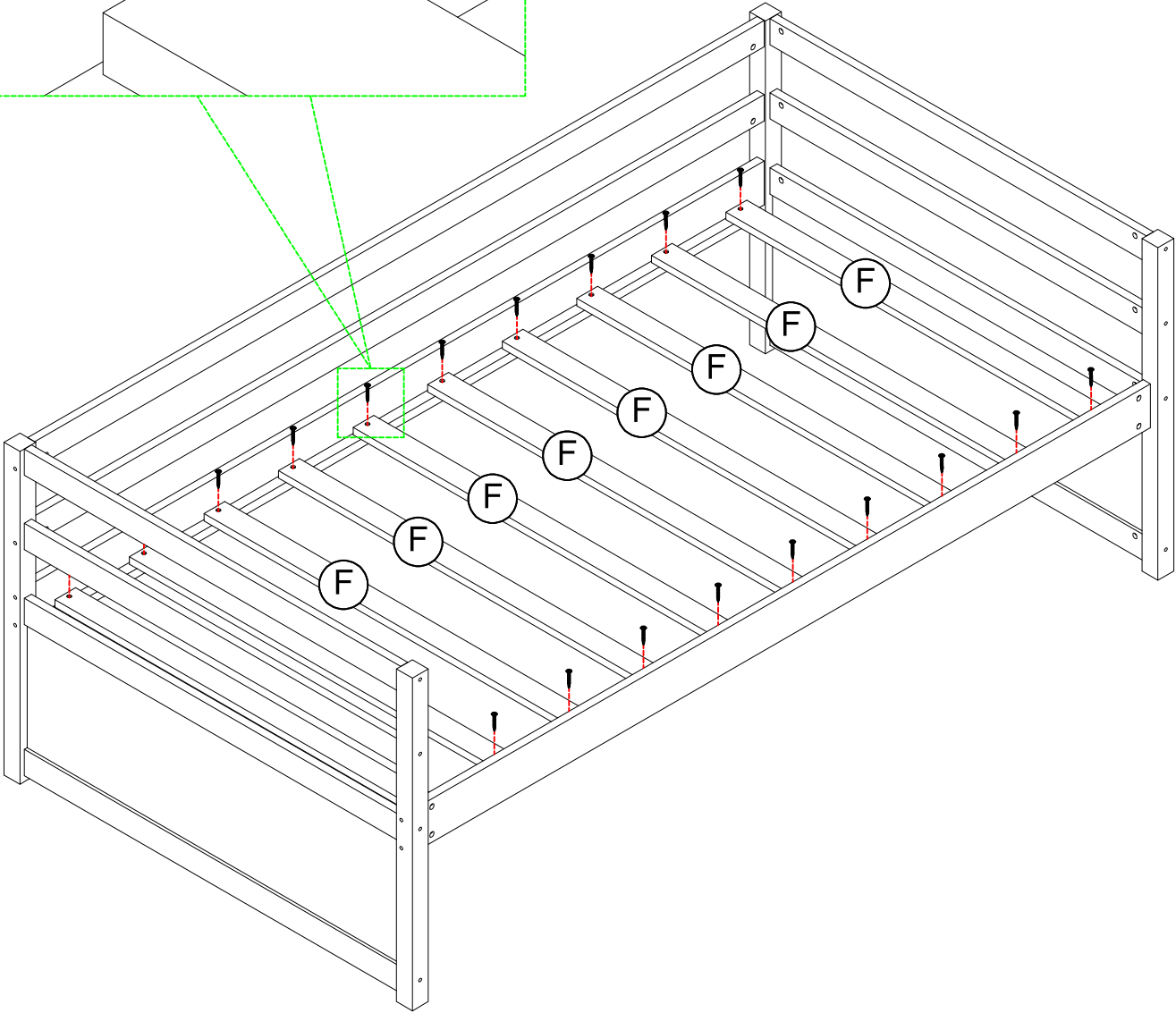
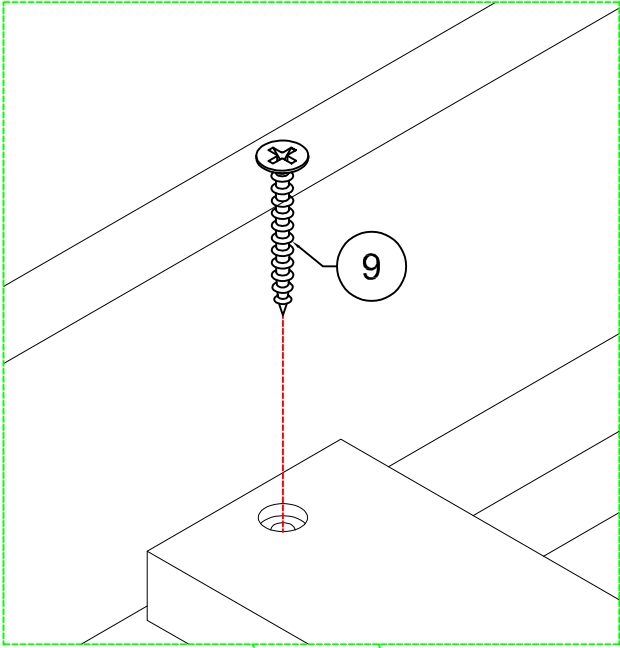
STEP 4: Following below illustration:

3	4	9
		
12pcs	12pcs	4pcs

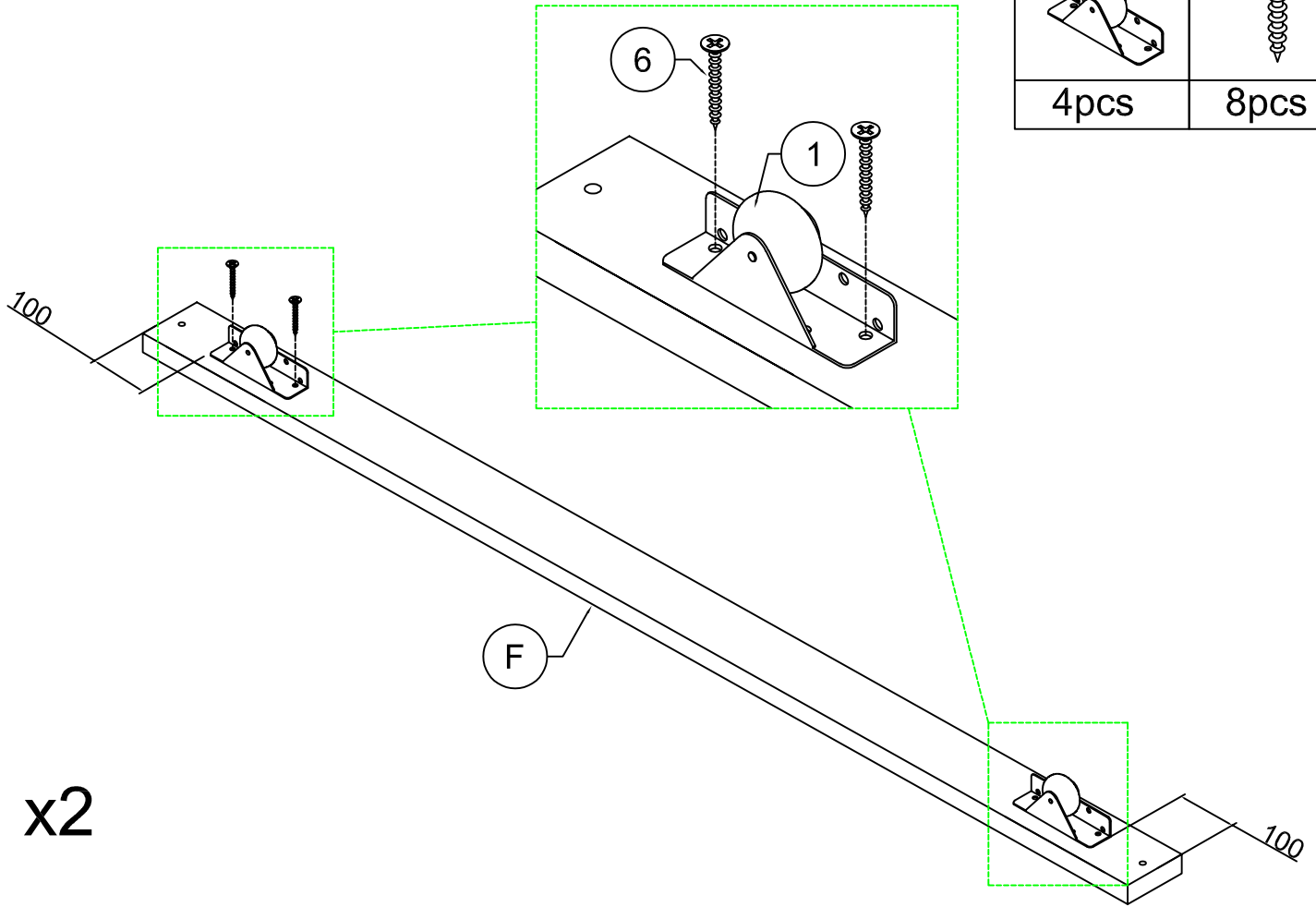


STEP 5: Following below illustration:

9	
20pcs	

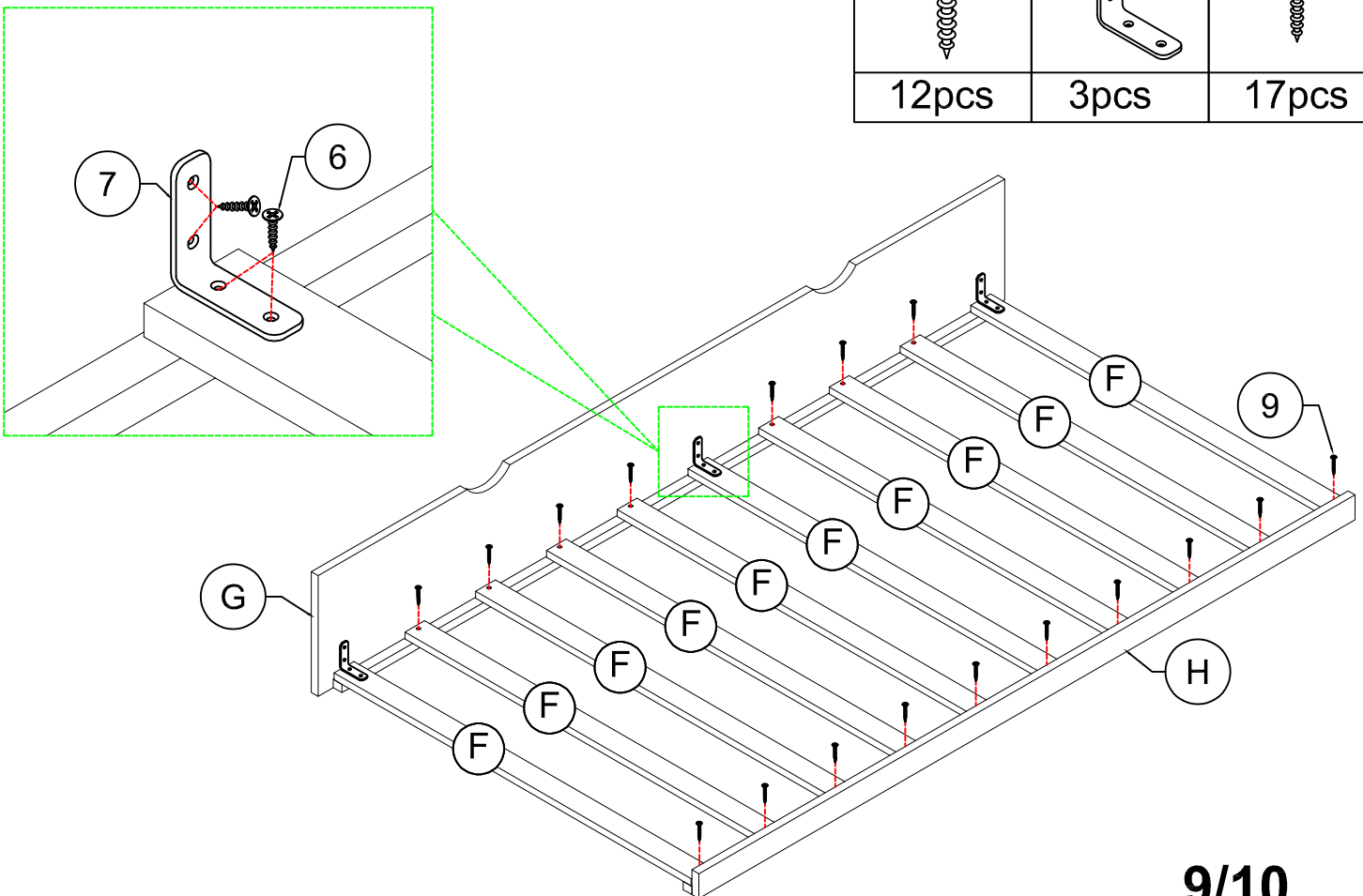


STEP 6: Following below illustration:



x2

STEP 7: Following below illustration:



FINISH

