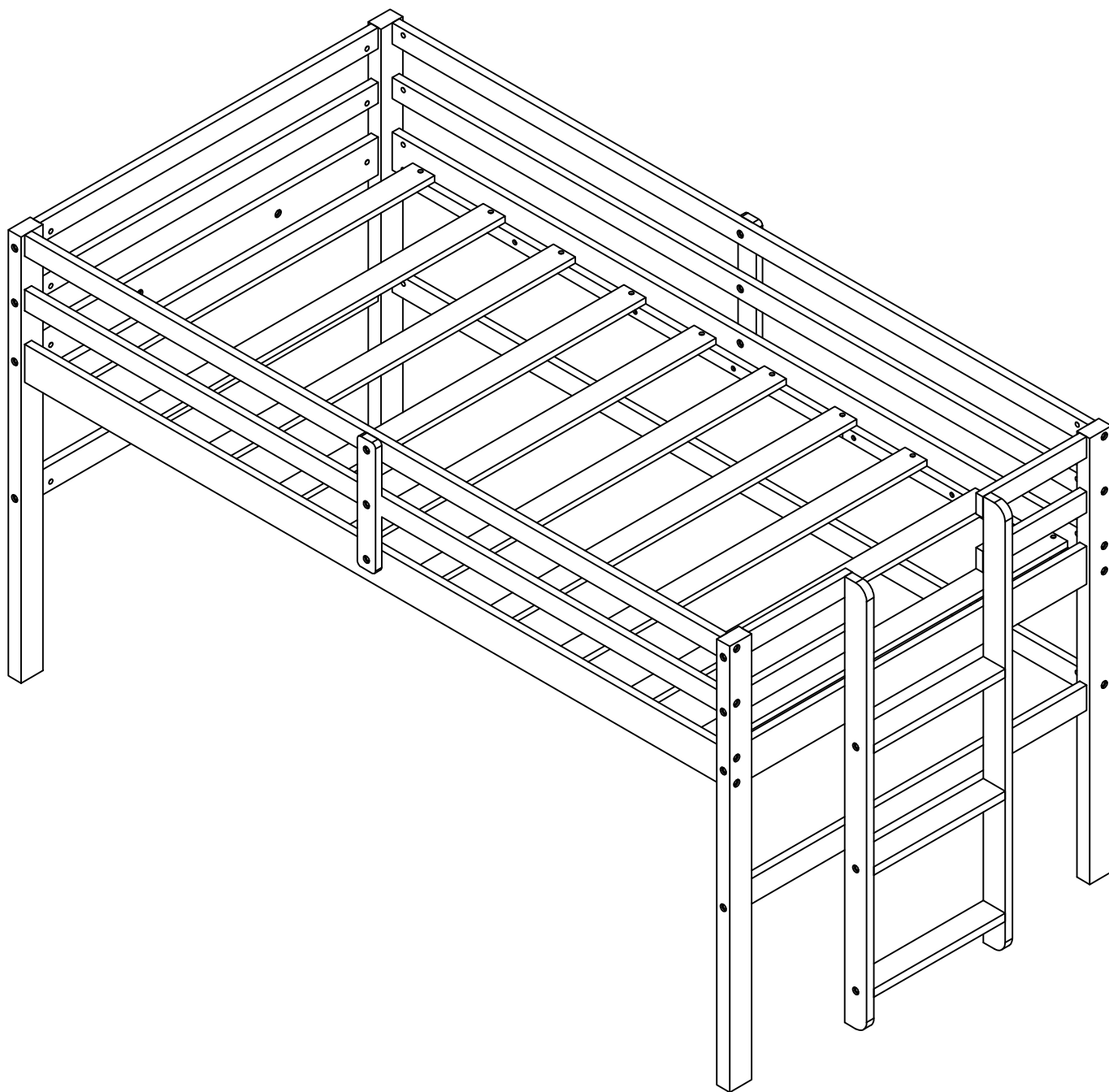
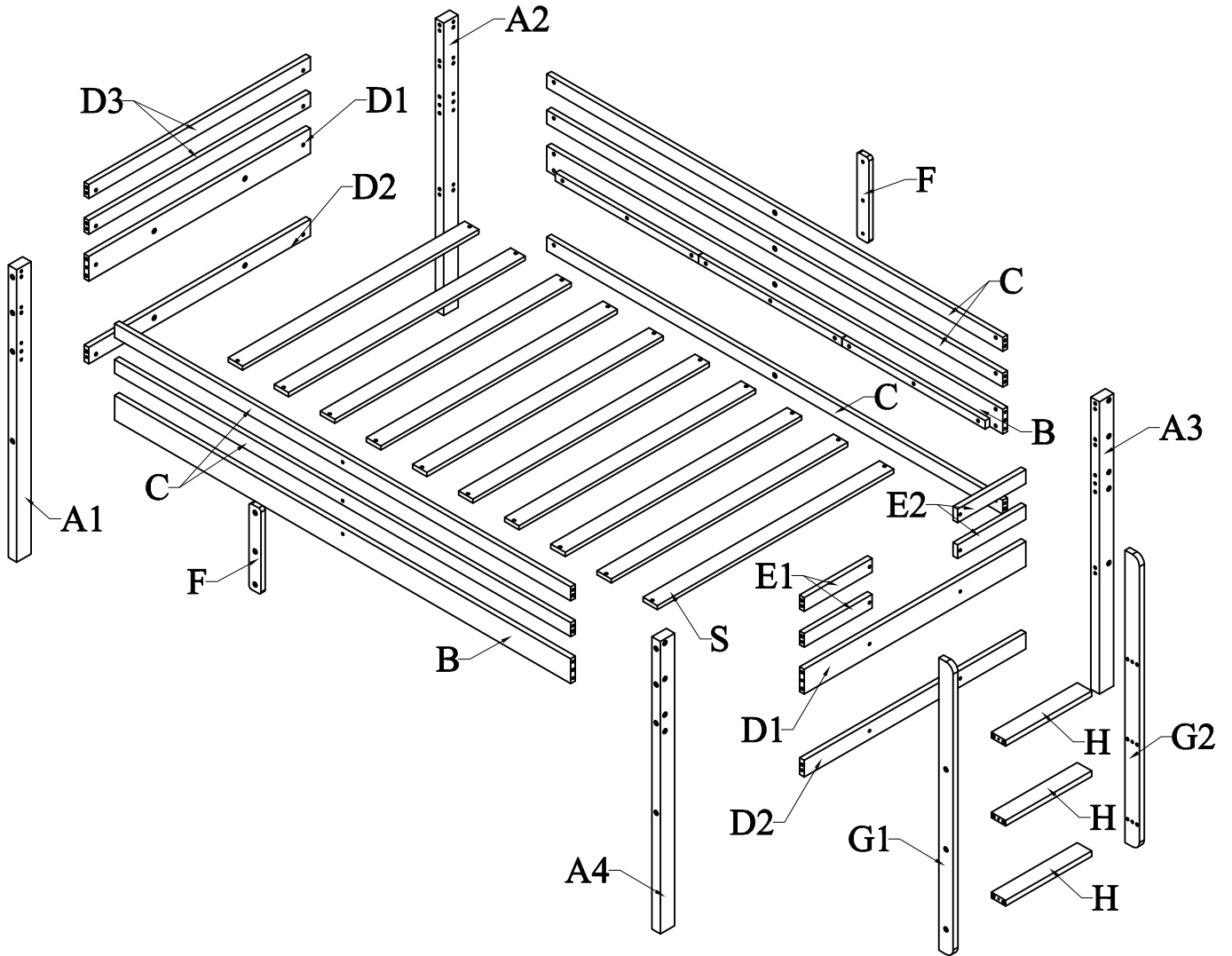


ASSEMBLY INSTRUCTIONS

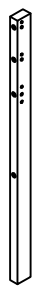

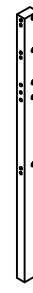

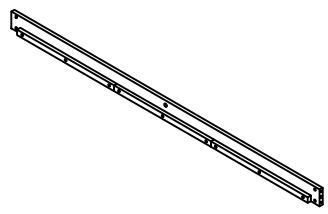
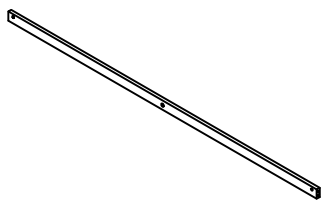
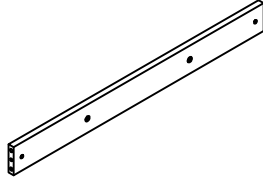
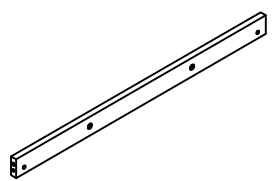
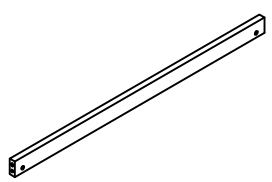
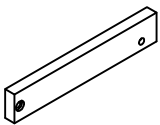
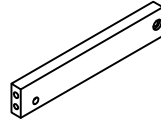

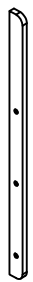
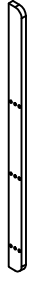
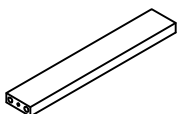
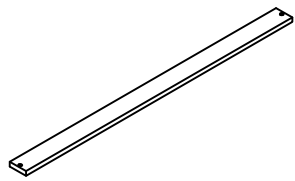
ITEM CODE: WF312787



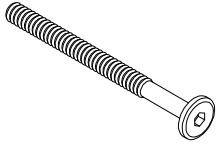
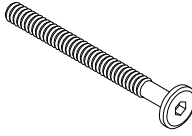
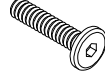
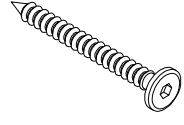

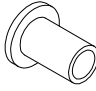
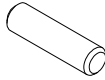
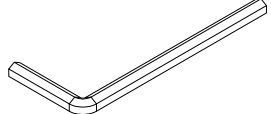
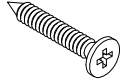
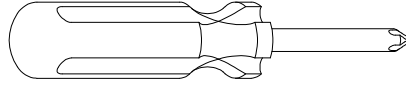
DETAIL VIEW



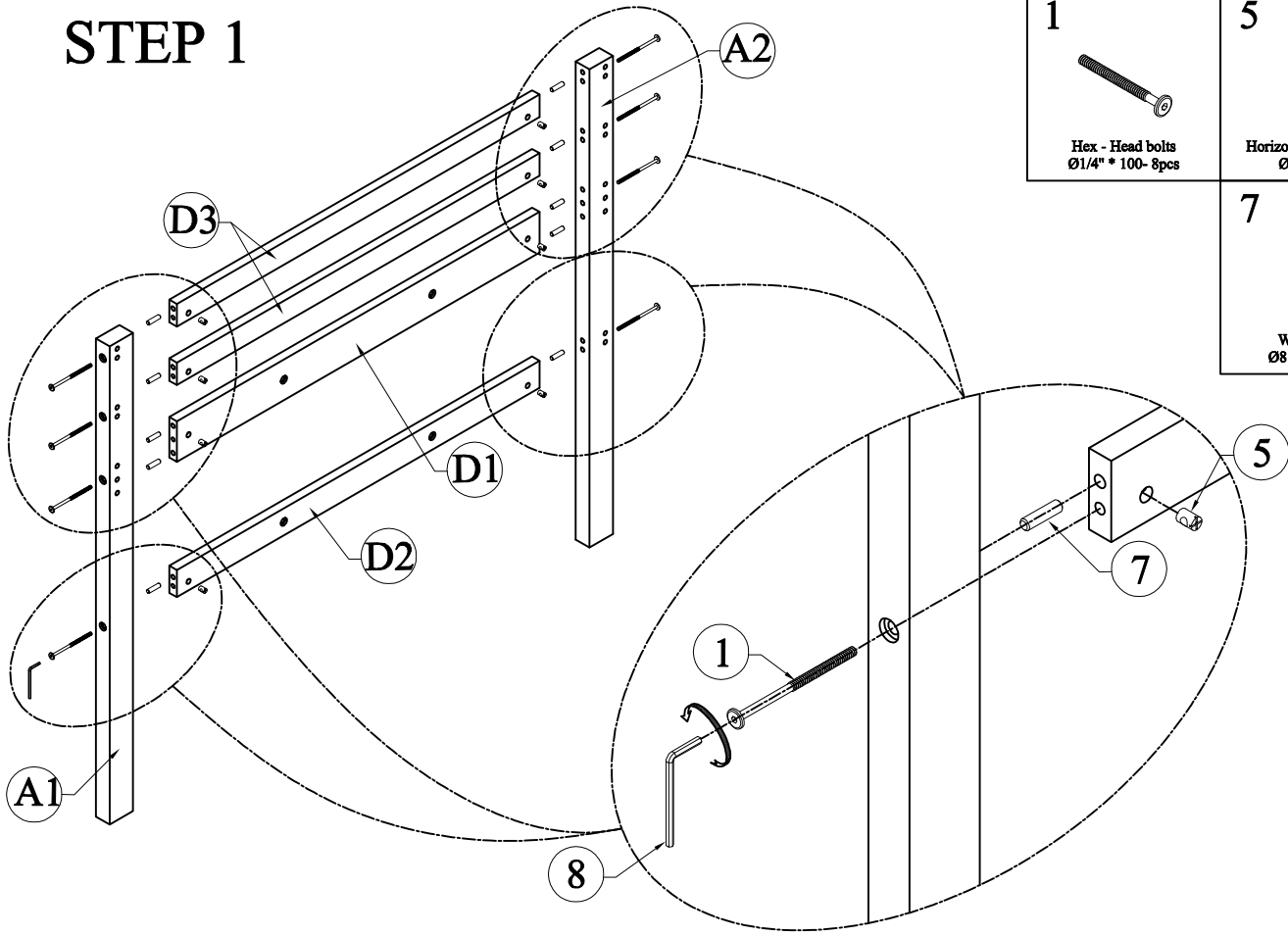
BOX: WF312787

<p>A1</p>  <p>Front leg - left (1pc)</p>	<p>A2</p>  <p>Back leg - left (1pc)</p>	<p>A3</p>  <p>Back leg - right (1pc)</p>	<p>A4</p>  <p>Front leg - right (1pc)</p>
<p>B</p>  <p>Side rail (2pcs)</p>	<p>C</p>  <p>Back rail (5pcs)</p>	<p>D1</p>  <p>Middle rail (2pcs)</p>	<p>D2</p>  <p>Bottom rail (2pcs)</p>
<p>D3</p>  <p>Top rail (2pcs)</p>	<p>E1</p>  <p>Top rail - Left (2pcs)</p>	<p>E2</p>  <p>Top rail - Right (2pcs)</p>	<p>F</p>  <p>Vertical rail (2pcs)</p>
<p>G1</p>  <p>Stairs vertical - Left (1pc)</p>	<p>G2</p>  <p>Stairs vertical - right (1pc)</p>	<p>H</p>  <p>Stairs bar - right (3pcs)</p>	<p>S</p>  <p>Slats (10pcs)</p>

HARDWARE LIST: WF312787

<p>1</p>  <p>Hex - Head bolts Ø1/4" * 100- 16pcs</p>	<p>2</p>  <p>Hex - Head bolts Ø1/4" * 80- 18pcs</p>	<p>3</p>  <p>Hex - Head bolts Ø1/4" * 25- 6pcs</p>	<p>4</p>  <p>Hexagonal bolts catch wood Ø1/4" * 50 - 14pcs</p>
<p>5</p>  <p>Horizontal - Hold bolts Ø1/4" - 34pcs</p>	<p>6</p>  <p>Canopy head though Ø1/4" - 6pcs</p>	<p>7</p>  <p>Wood dowel Ø8 * 30 - 46pcs</p>	<p>8</p>  <p>Allen key K4 - 2pcs</p>
<p>9</p>  <p>Wood crews M4 * 30 - 20pcs</p>	 <p>Assembly Tools Required (Not Included)</p>		

STEP 1



1

Hex - Head bolts
Ø1/4" * 100- 8pcs

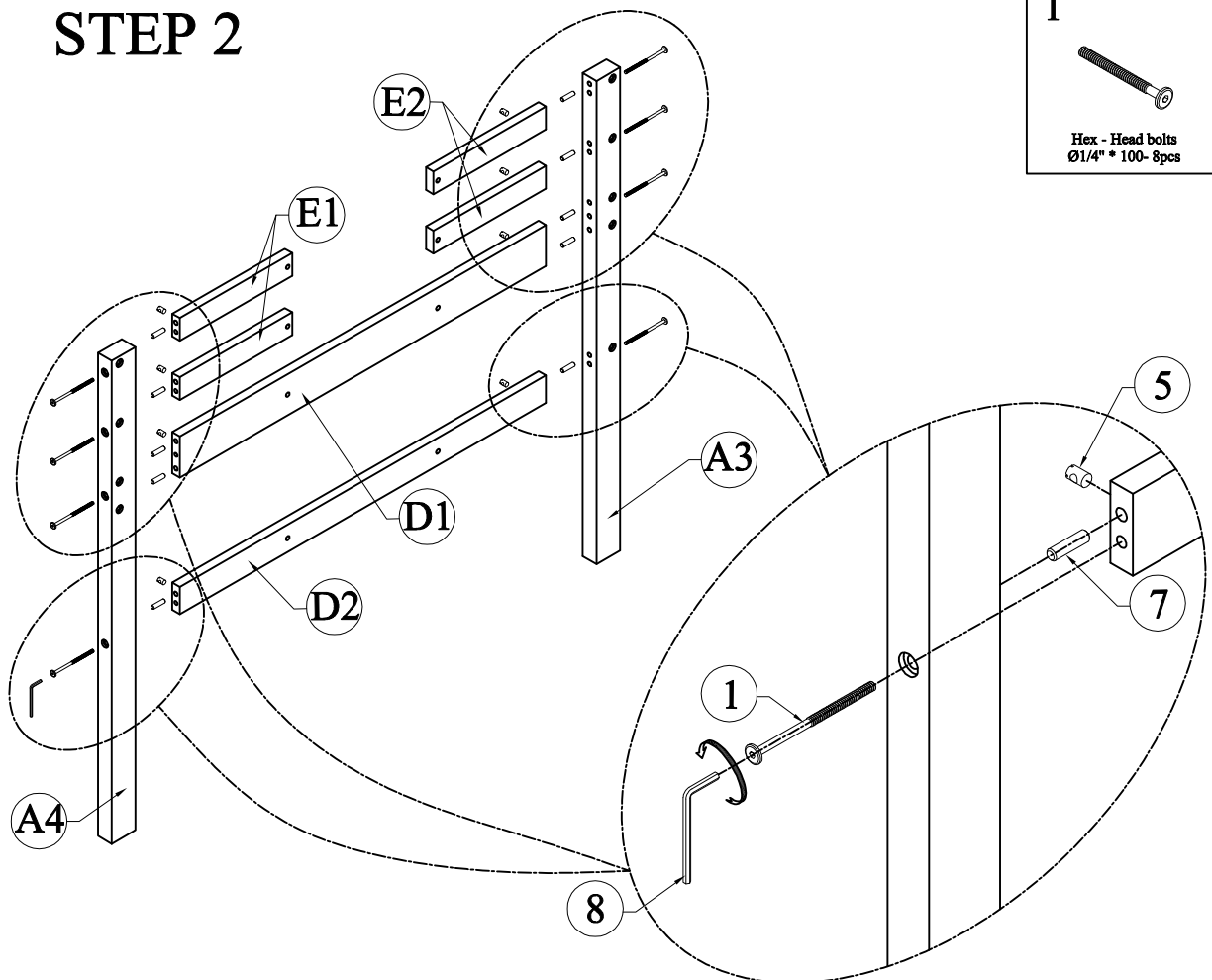
5

Horizontal - Hold bolts
Ø1/4" - 8pcs

7

Wood dowel
Ø8 * 30 - 10pcs

STEP 2



1

Hex - Head bolts
Ø1/4" * 100- 8pcs

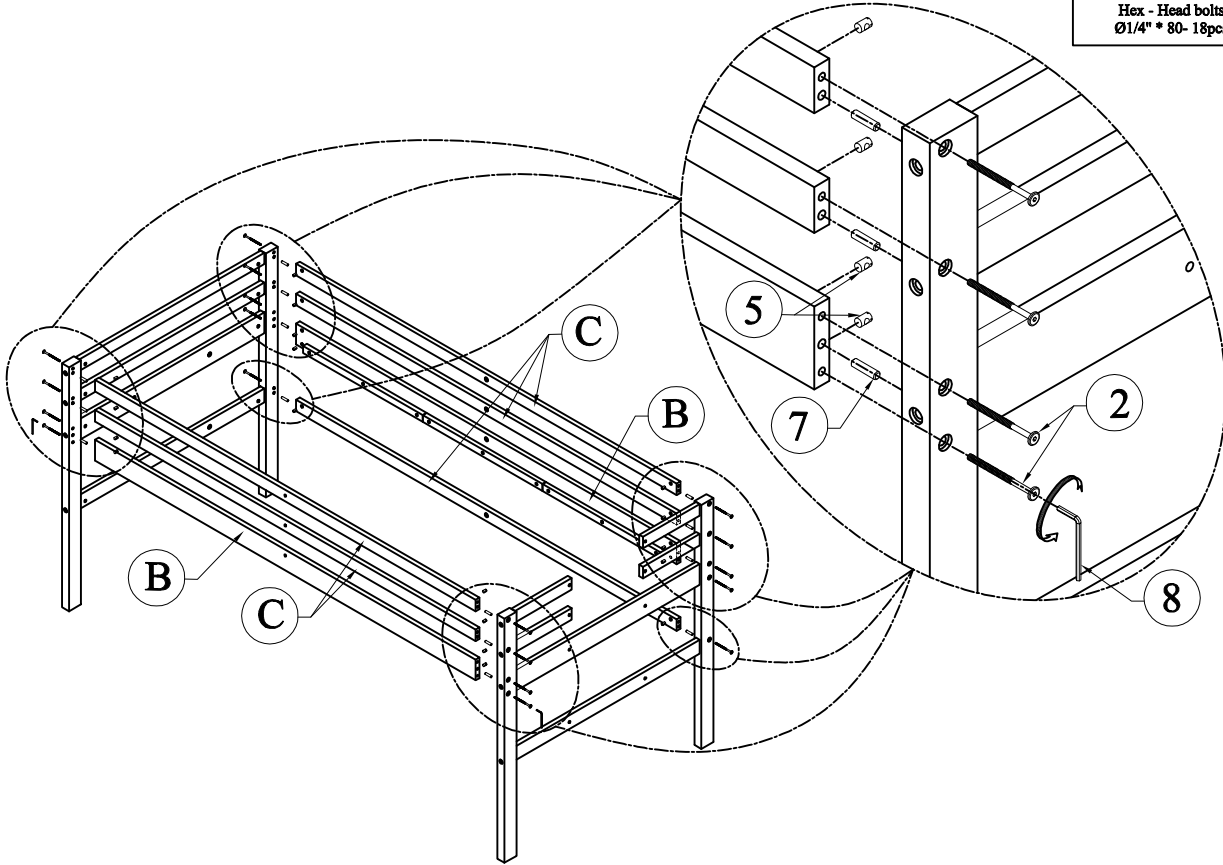
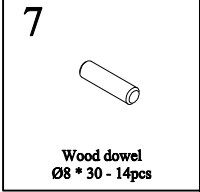
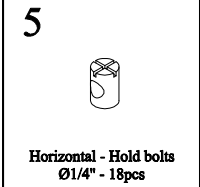
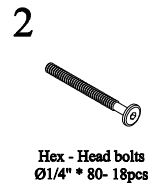
5

Horizontal - Hold bolts
Ø1/4" - 8pcs

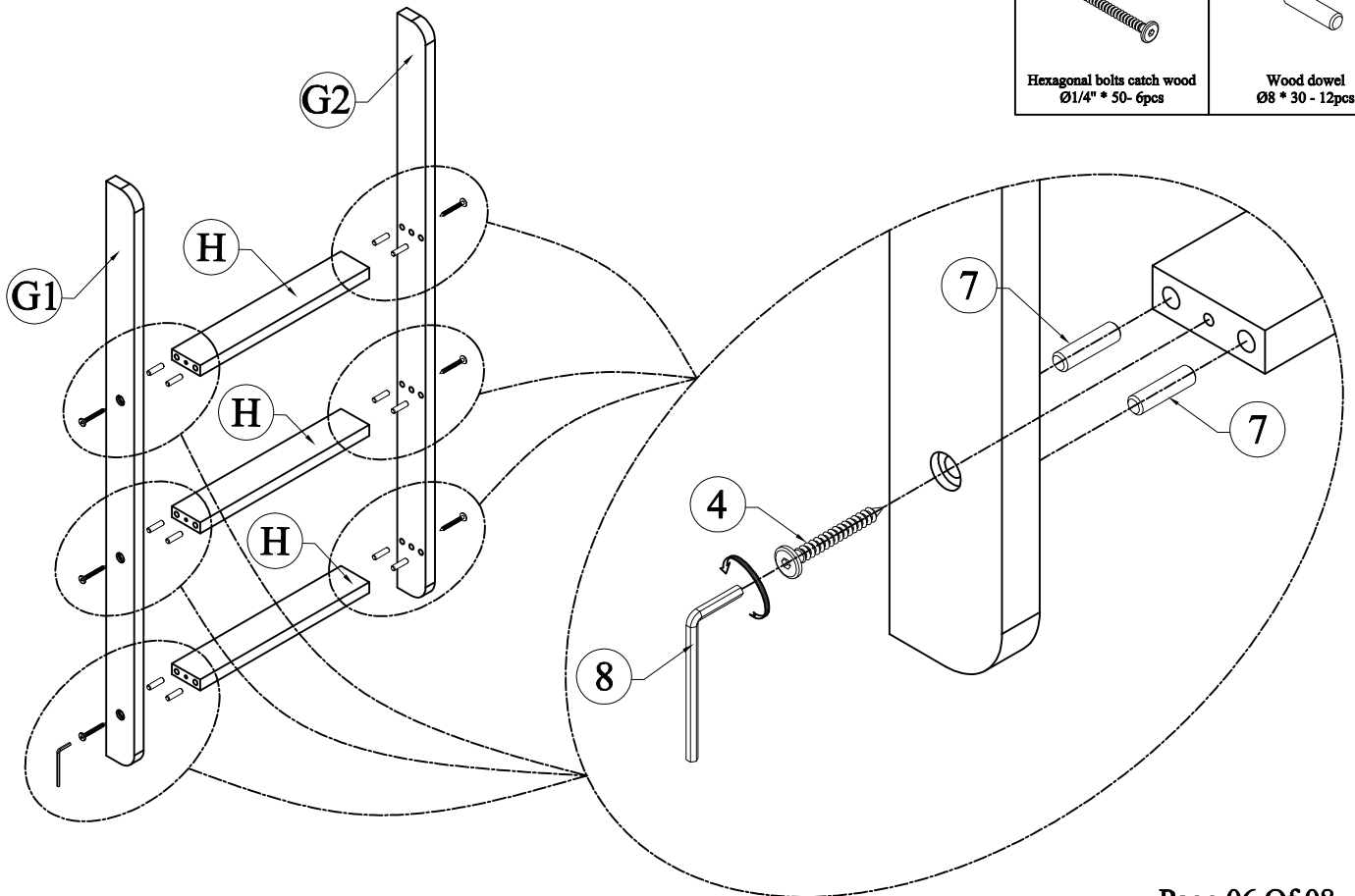
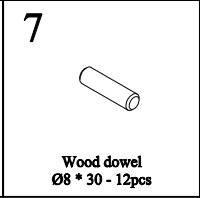
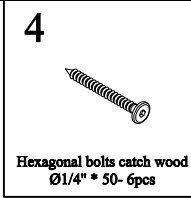
7

Wood dowel
Ø8 * 30 - 10pcs

STEP 3



STEP 4

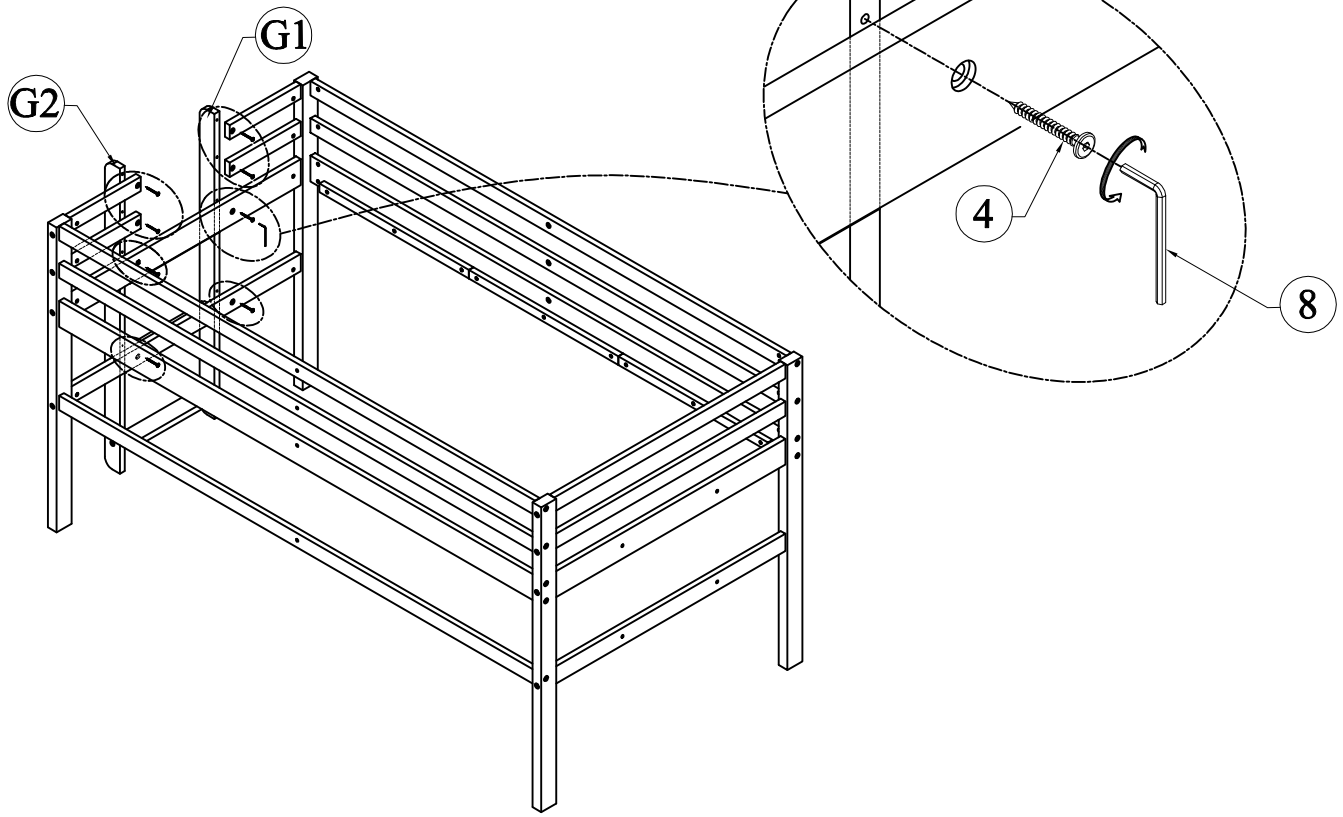


STEP 5

4



Hexagonal bolts catch wood
Ø1/4" * 50 - 8pcs



STEP 6

3

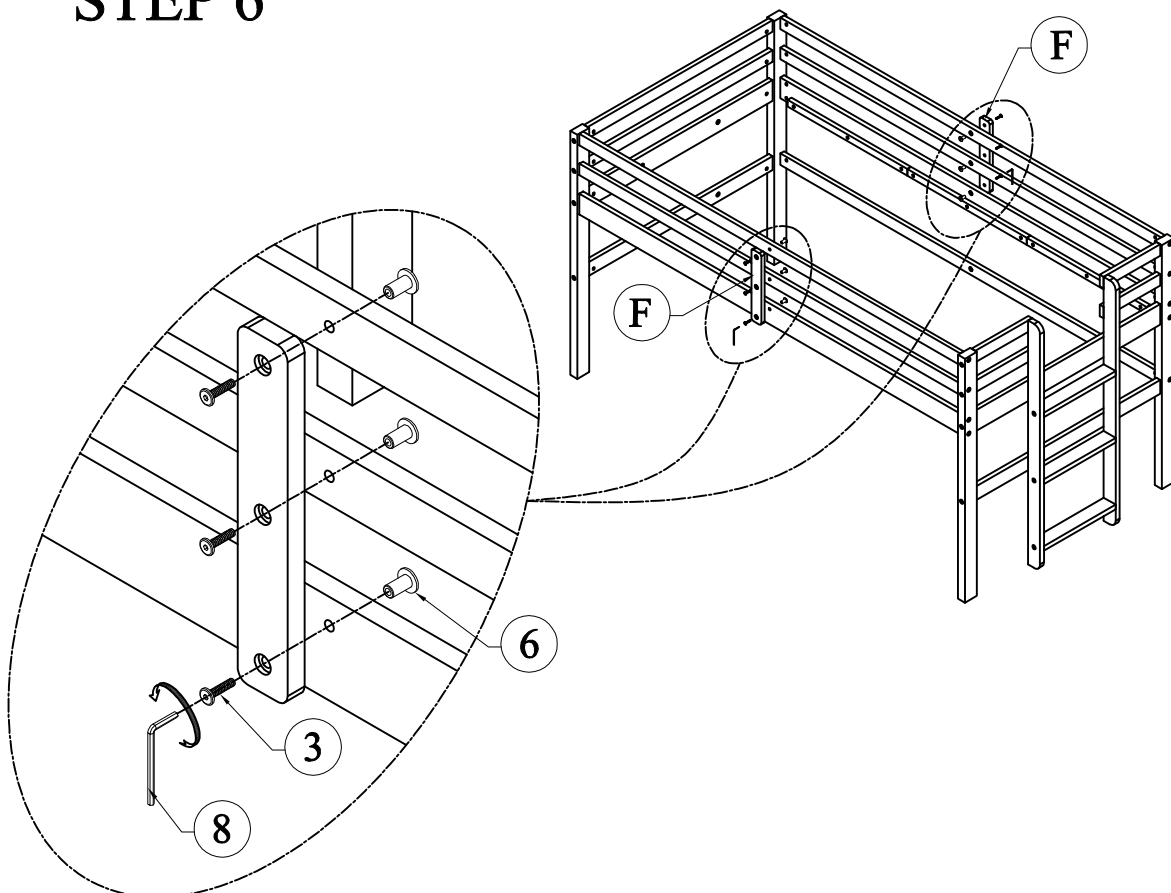


Hex - Head bolts
Ø1/4" * 25- 6pcs

6



Canopy head through
Ø1/4" - 6pcs

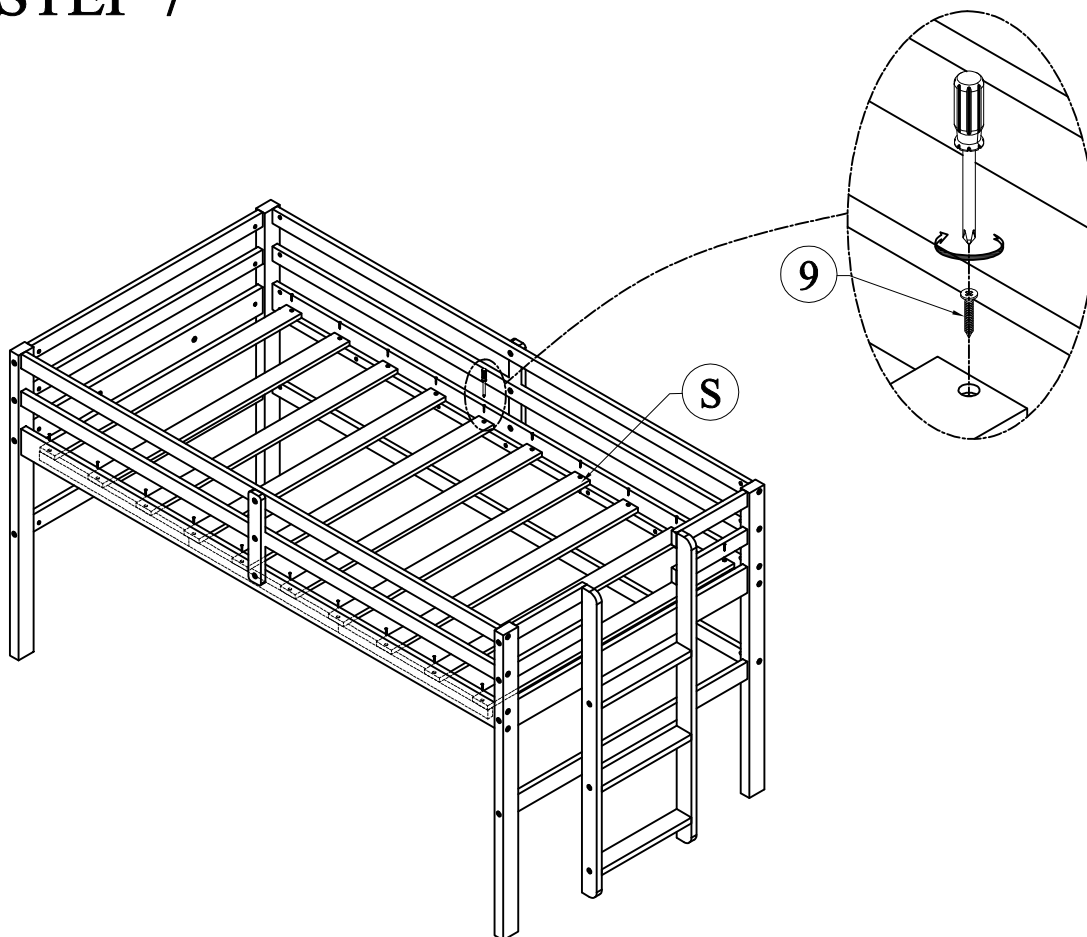


STEP 7

9



Wood screws
M4 * 30 - 20pcs



COMPLETED

