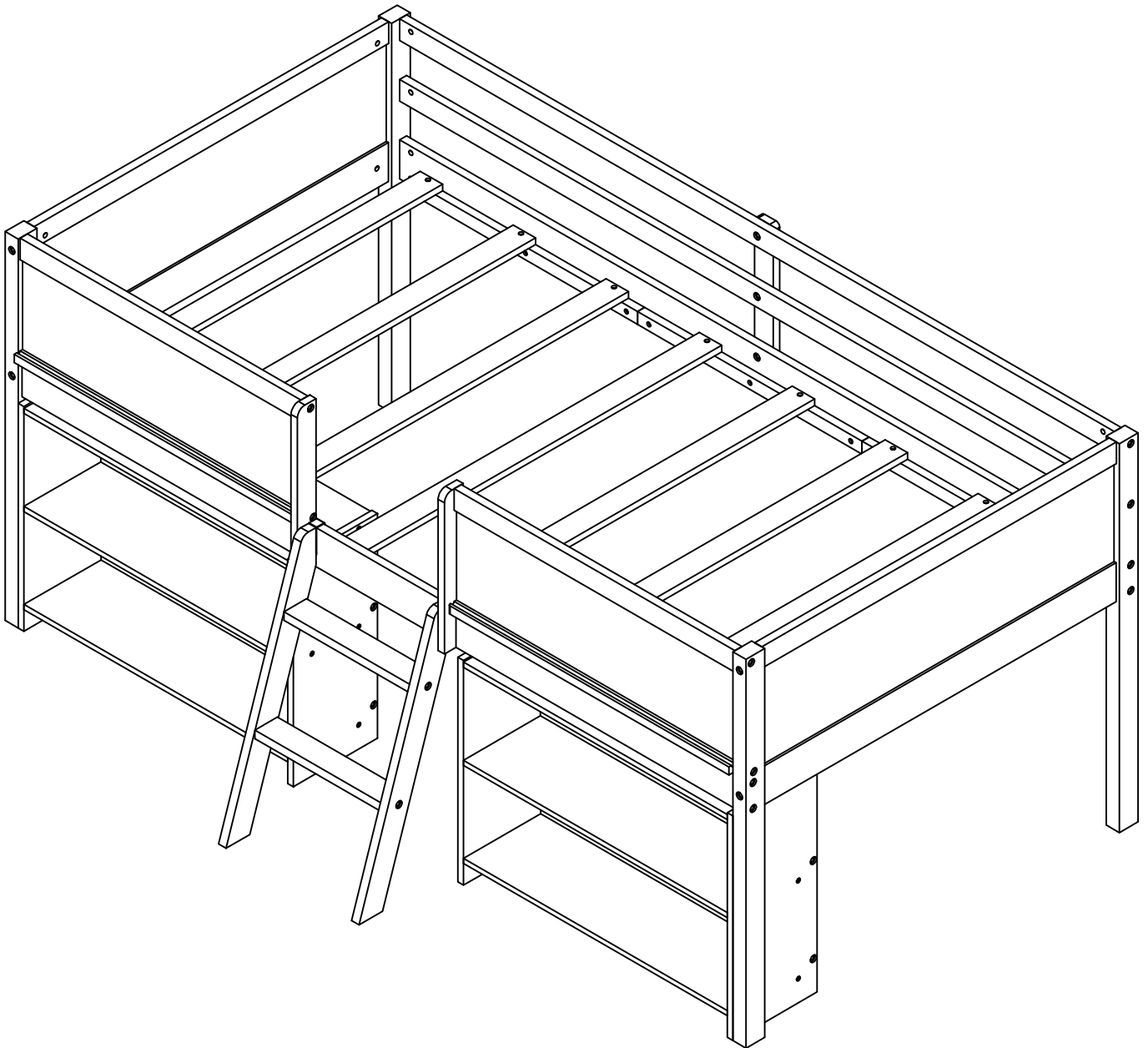
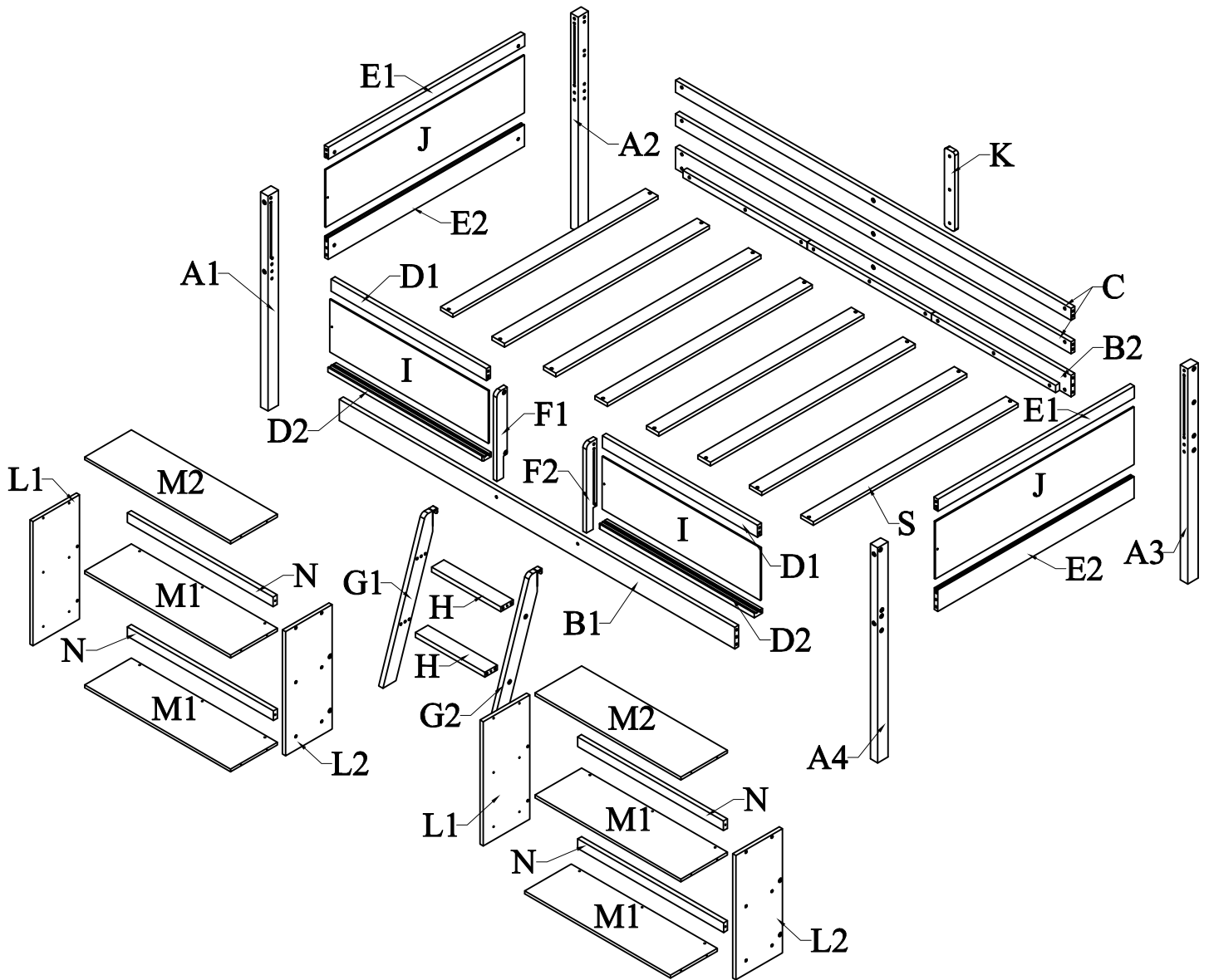


ASSEMBLY INSTRUCTIONS

ITEM CODE: WF312180



DETAIL VIEW



BOX: WF312180

A1



Front leg - left (1pc)

A2



Back leg - left (1pc)

A3



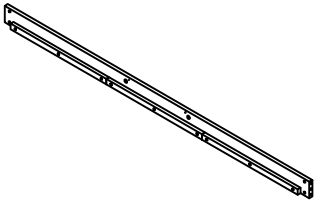
Back leg - right (1pc)

A4



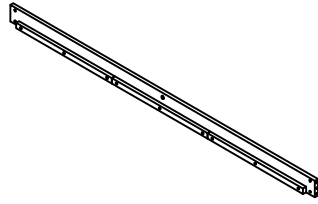
Front leg - right (1pc)

B1



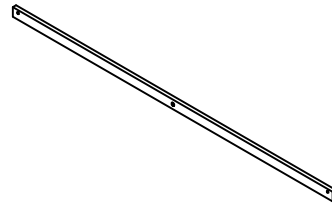
Frame rail - front (1pc)

B2



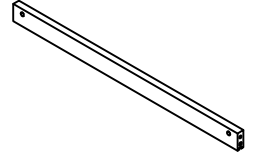
Frame rail - back (1pc)

C



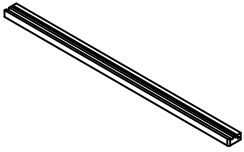
Top rail - back (2pcs)

D1



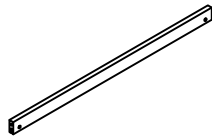
Front rail - Top (2pcs)

D2



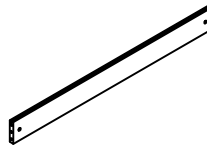
Front rail - middle (2pcs)

E1



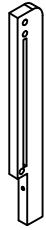
Side rail - top (2pcs)

E2



Side rail - bottom (2pcs)

F1



Vertical rail - left (1pc)

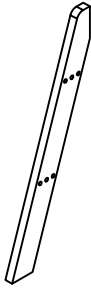
BOX: WF312180

F2



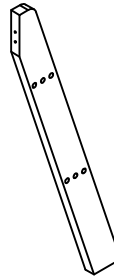
Vertical rail - right (1pc)

G1



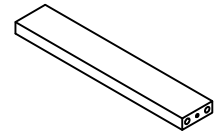
Stairs vertical - left (1pc)

G2



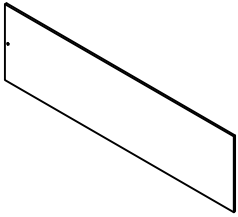
Stairs vertical - right (1pc)

H



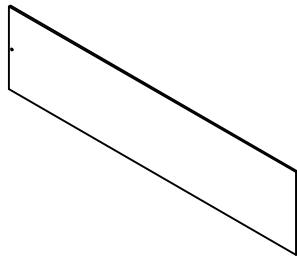
Stairs bar - right (2pcs)

I



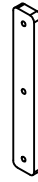
Front panel (2pcs)

J



Side panel (2pcs)

K



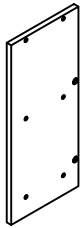
Vertical rail (1pc)

L1



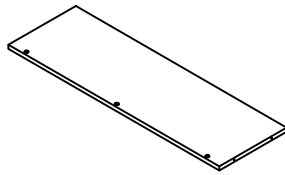
Side panel - left (2pcs)

L2



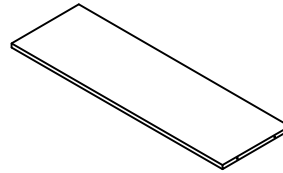
Side panel - right (2pcs)

M1



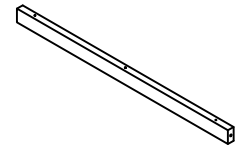
Bottom panel (4pcs)

M2



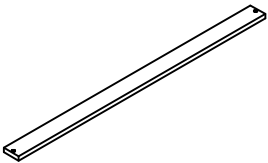
Top panel (2pcs)

N



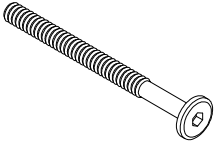
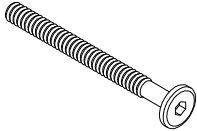
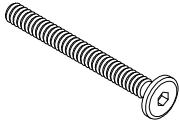
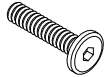
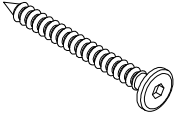



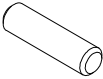
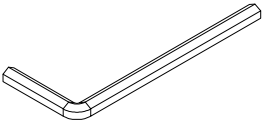
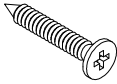
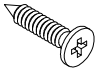
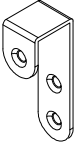
Support bar (4pcs)

S

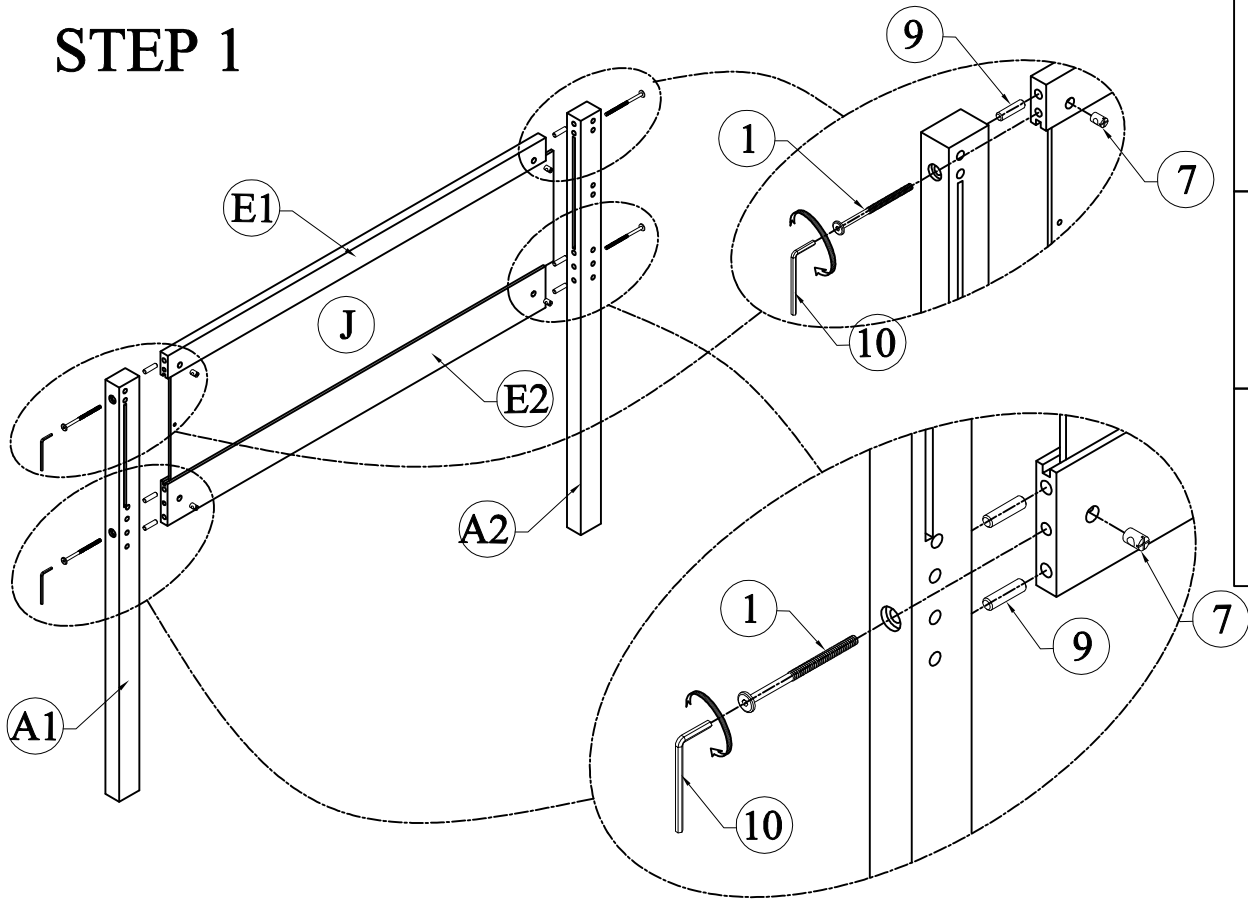


Slats (8pcs)

HARDWARE LIST: WF312180

<p>1</p>  <p>Hex - Head bolts Ø1/4" * 90- 8pcs</p>	<p>2</p>  <p>Hex - Head bolts Ø1/4" * 70- 14pcs</p>	<p>3</p>  <p>Hex - Head bolts Ø1/4" * 50- 2pcs</p>	<p>4</p>  <p>Hex - Head bolts Ø1/4" * 25- 3pcs</p>
<p>5</p>  <p>Hexagonal bolts catch wood Ø1/4" * 50 - 16pcs</p>	<p>6</p>  <p>Hexagonal bolts catch wood Ø1/4" * 35 - 2pcs</p>	<p>7</p>  <p>Horizontal - Hold bolts Ø1/4" - 24pcs</p>	<p>8</p>  <p>Canopy head though Ø1/4" - 3pcs</p>
<p>9</p>  <p>Wood dowel Ø8 * 30 - 32pcs</p>	<p>10</p>  <p>Allen key K4 - 2pcs</p>	<p>11</p>  <p>Wood crews M4 * 30 - 56pcs</p>	<p>12</p>  <p>Wood crews M4 * 15 - 2pcs</p>
<p>13</p>  <p>Bracket - 2pc</p>			

STEP 1




1



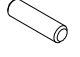
Hex - Head bolts
Ø1/4" * 90- 4pcs

7



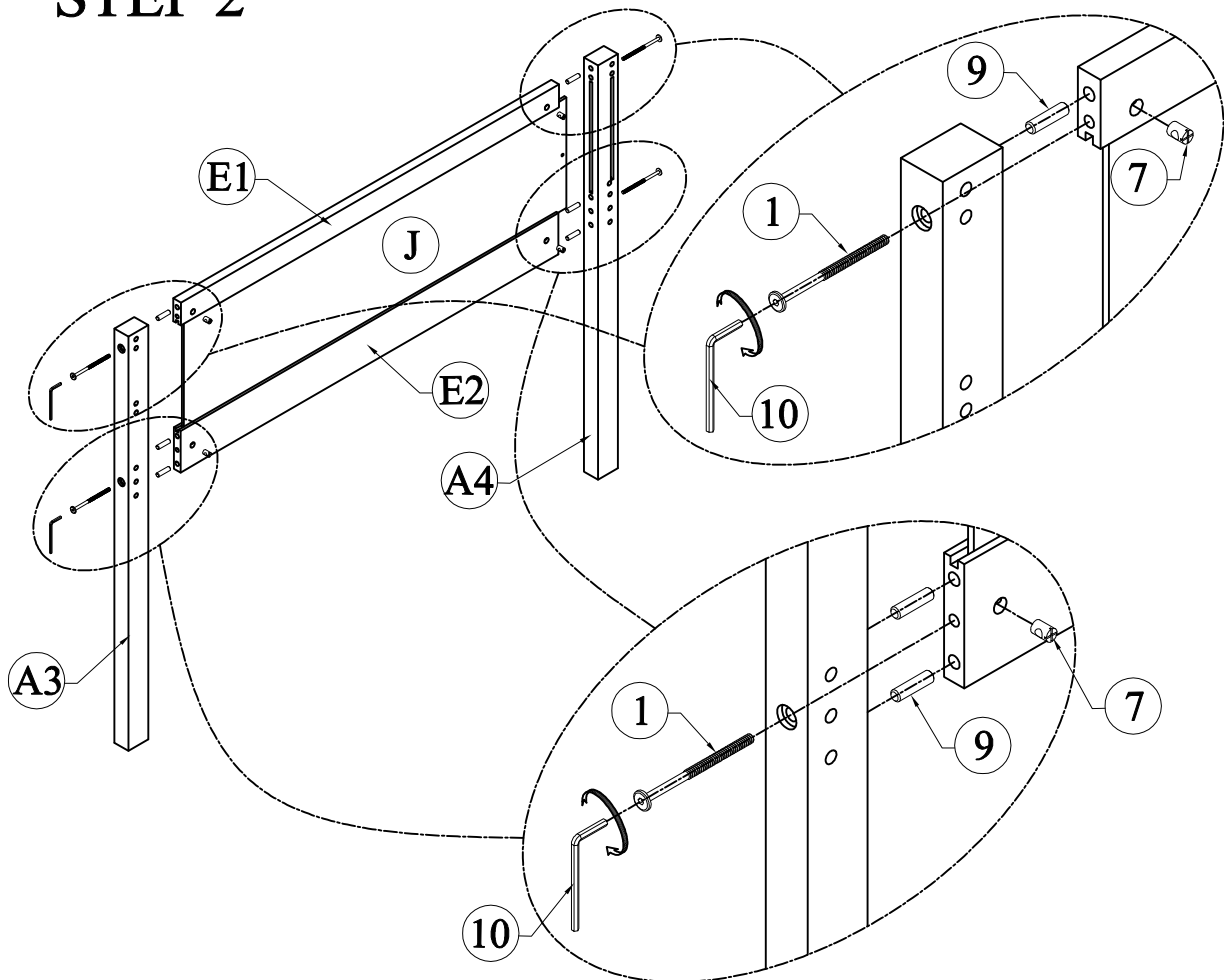
Horizontal - Hold bolts
Ø1/4" - 4pcs

9



Wood dowel
Ø8 * 30 - 6pcs

STEP 2




1



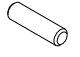
Hex - Head bolts
Ø1/4" * 90- 4pcs

7



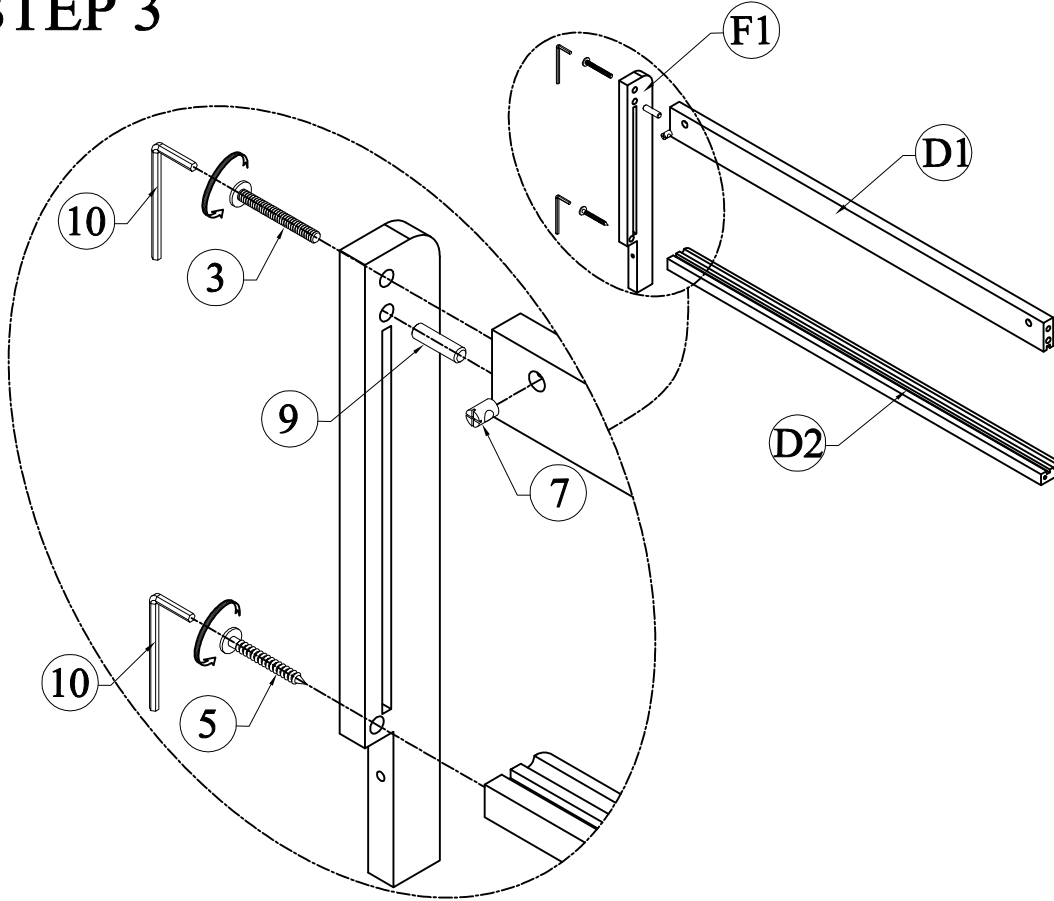
Horizontal - Hold bolts
Ø1/4" - 4pcs

9



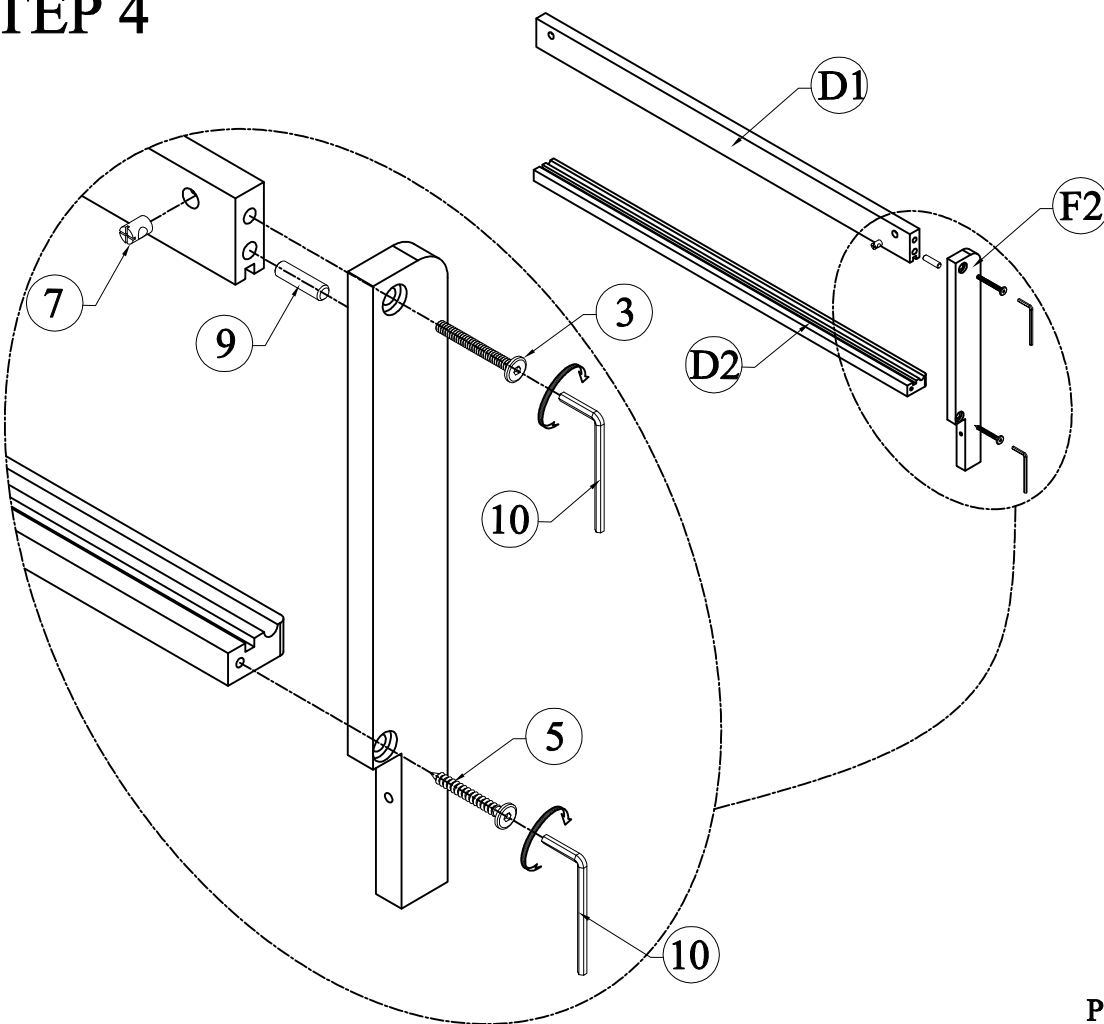
Wood dowel
Ø8 * 30 - 6pcs

STEP 3



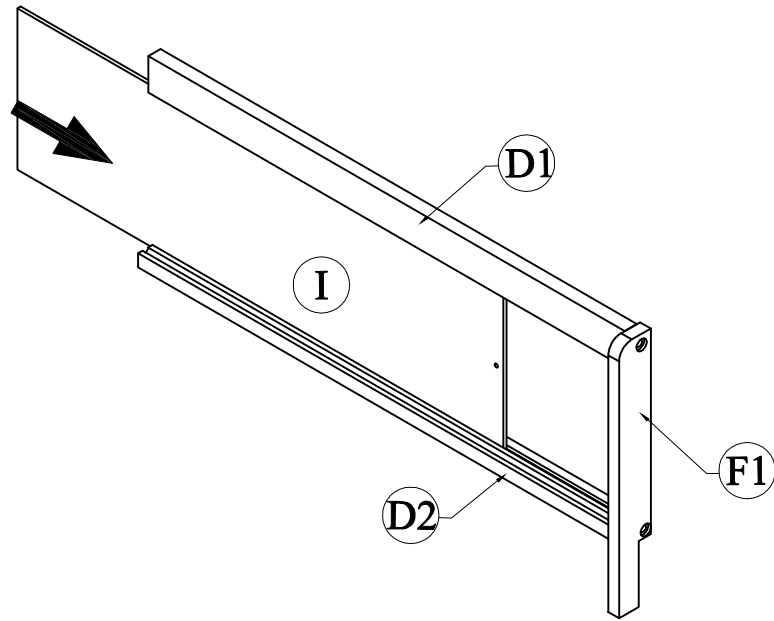
- 3
Hex - Head bolts
Ø1/4" * 60- 1pc
- 5
Hexagonal bolts catch wood
Ø1/4" * 50 - 1pc
- 7
Horizontal - Hold bolts
Ø1/4" - 1pc
- 9
Wood dowel
Ø8 * 30 - 1pc

STEP 4

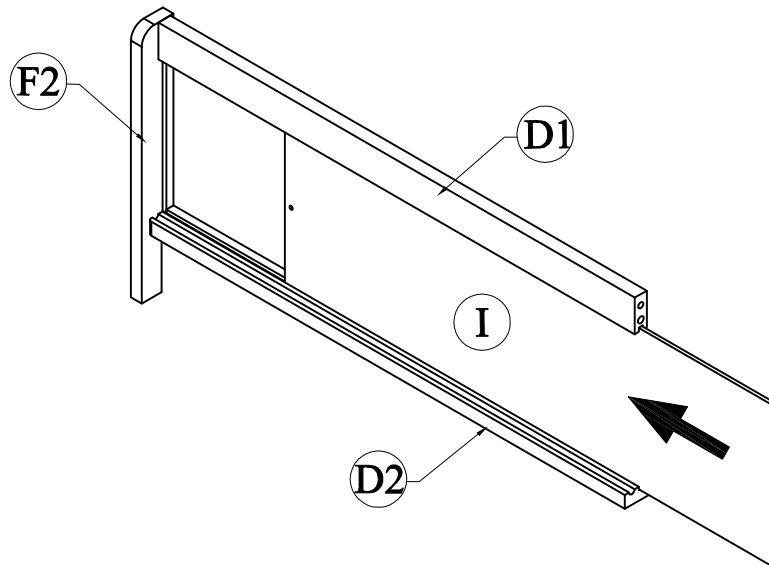


- 3
Hex - Head bolts
Ø1/4" * 60- 1pc
- 5
Hexagonal bolts catch wood
Ø1/4" * 50 - 1pc
- 7
Horizontal - Hold bolts
Ø1/4" - 1pc
- 9
Wood dowel
Ø8 * 30 - 1pc

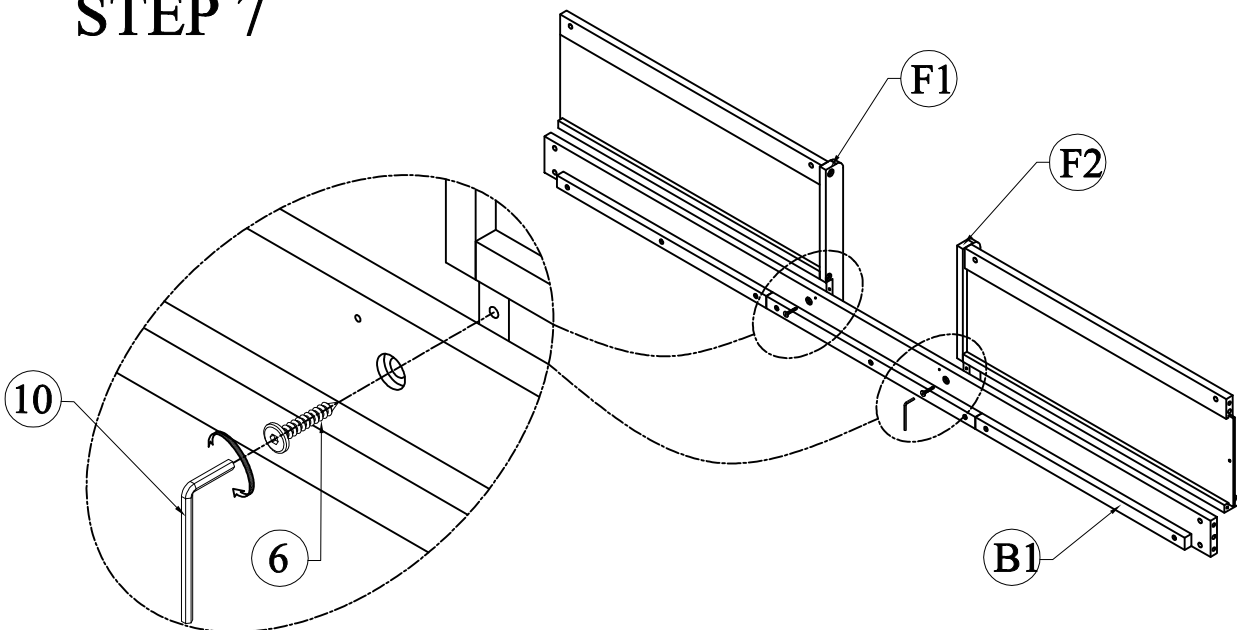
STEP 5



STEP 6



STEP 7

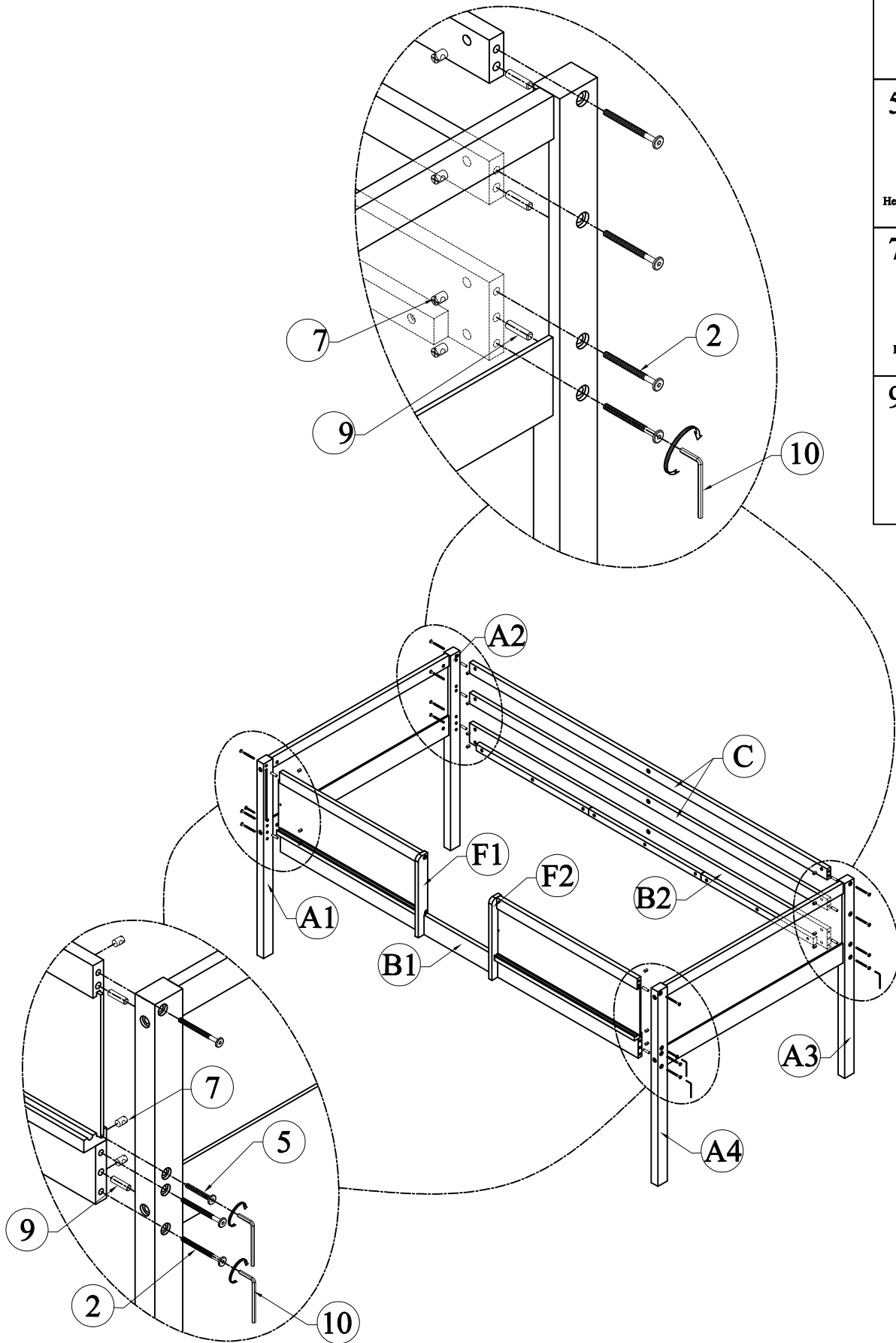





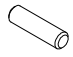
6



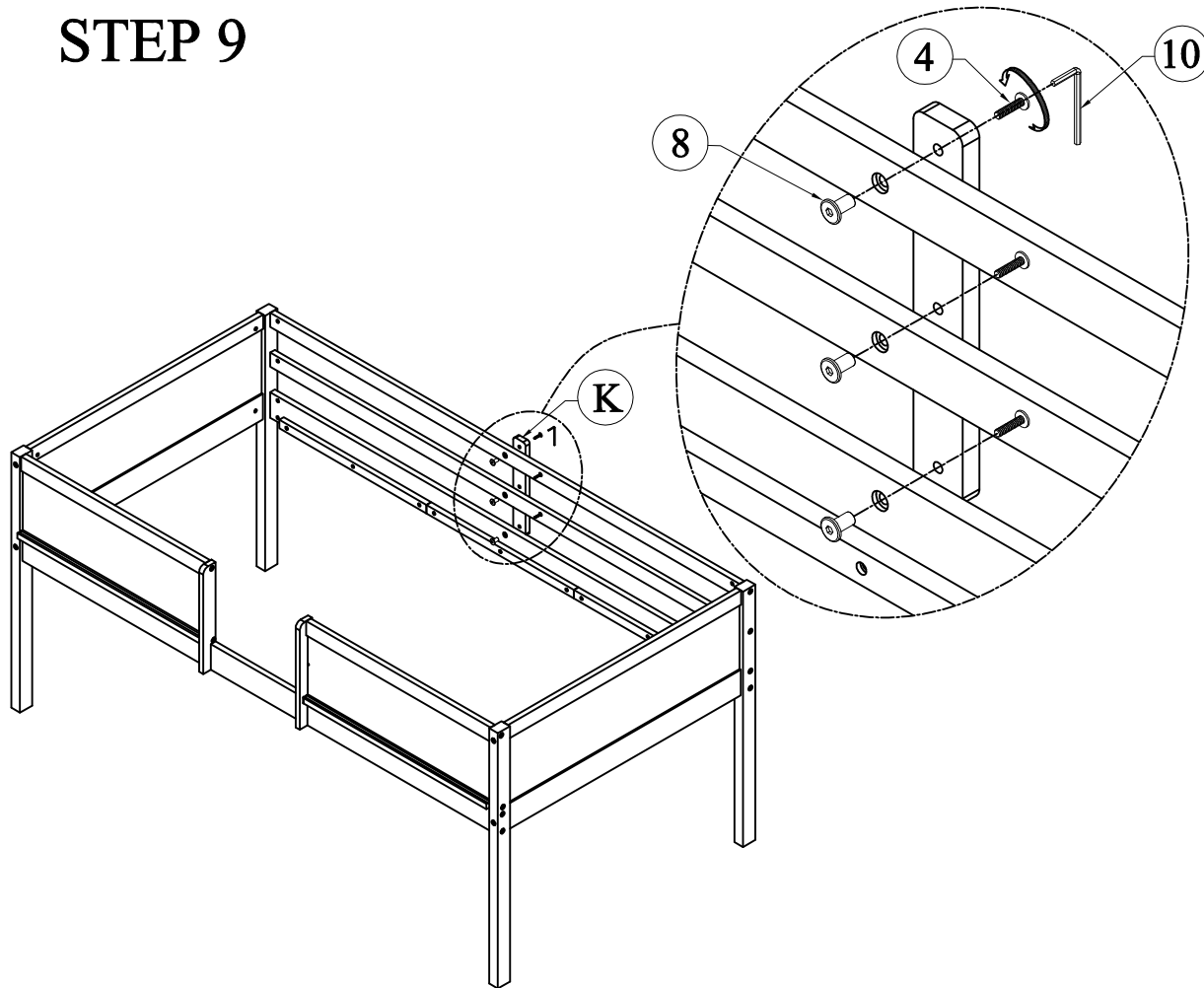
Hexagonal bolts catch wood
Ø1/4" * 35 - 2pcs

STEP 8



- 2 
Hex - Head bolts
Ø1/4" * 70 - 14pcs
- 5 
Hexagonal bolts catch wood
Ø1/4" * 50 - 2pcs
- 7 
Horizontal - Hold bolts
Ø1/4" - 14pcs
- 9 
Wood dowel
Ø8 * 30 - 10pcs

STEP 9



4



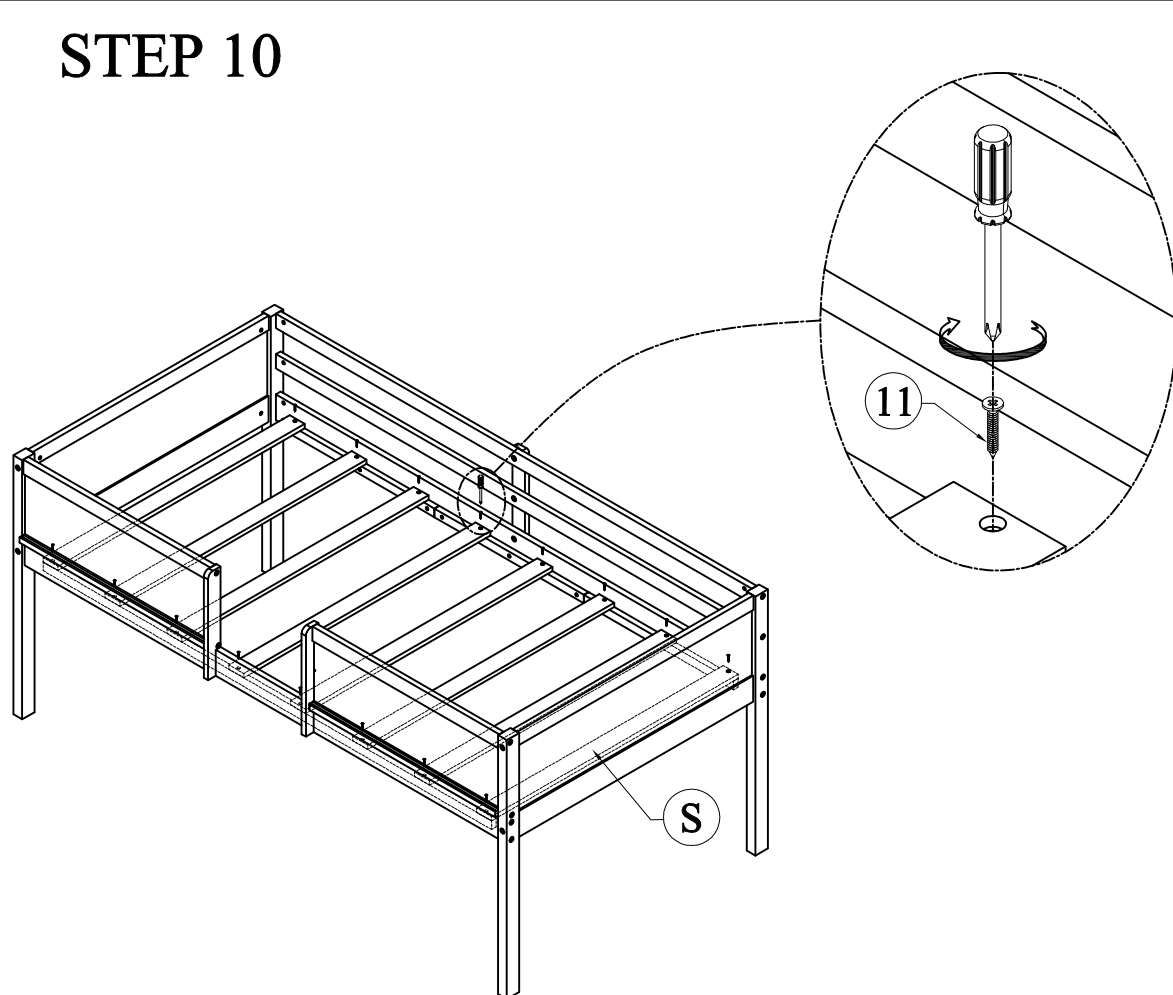
Hex - Head bolts
Ø1/4" * 25- 3pcs

8



Canopy head through
Ø1/4" - 3pcs

STEP 10

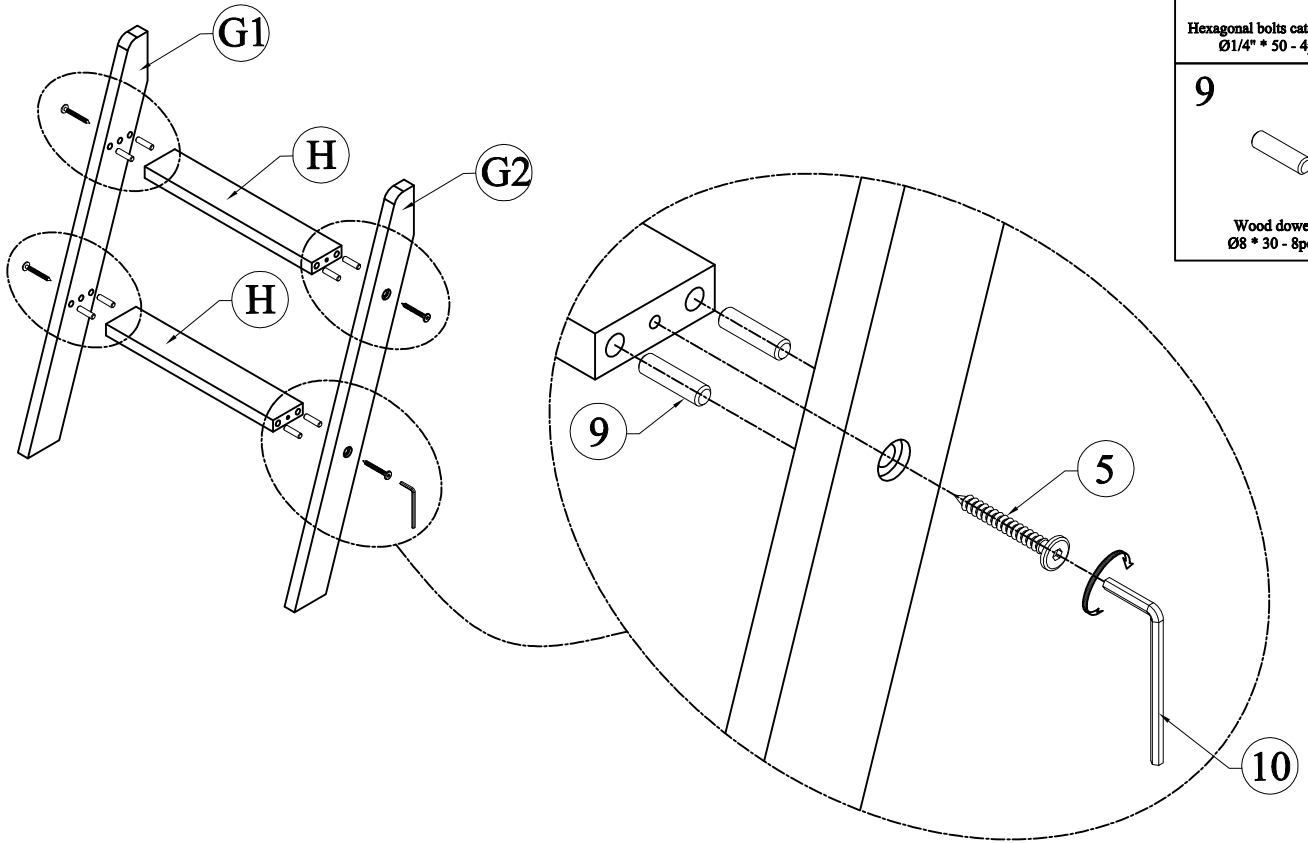


11



Wood crews
M4 * 30 - 16pcs

STEP 11



5



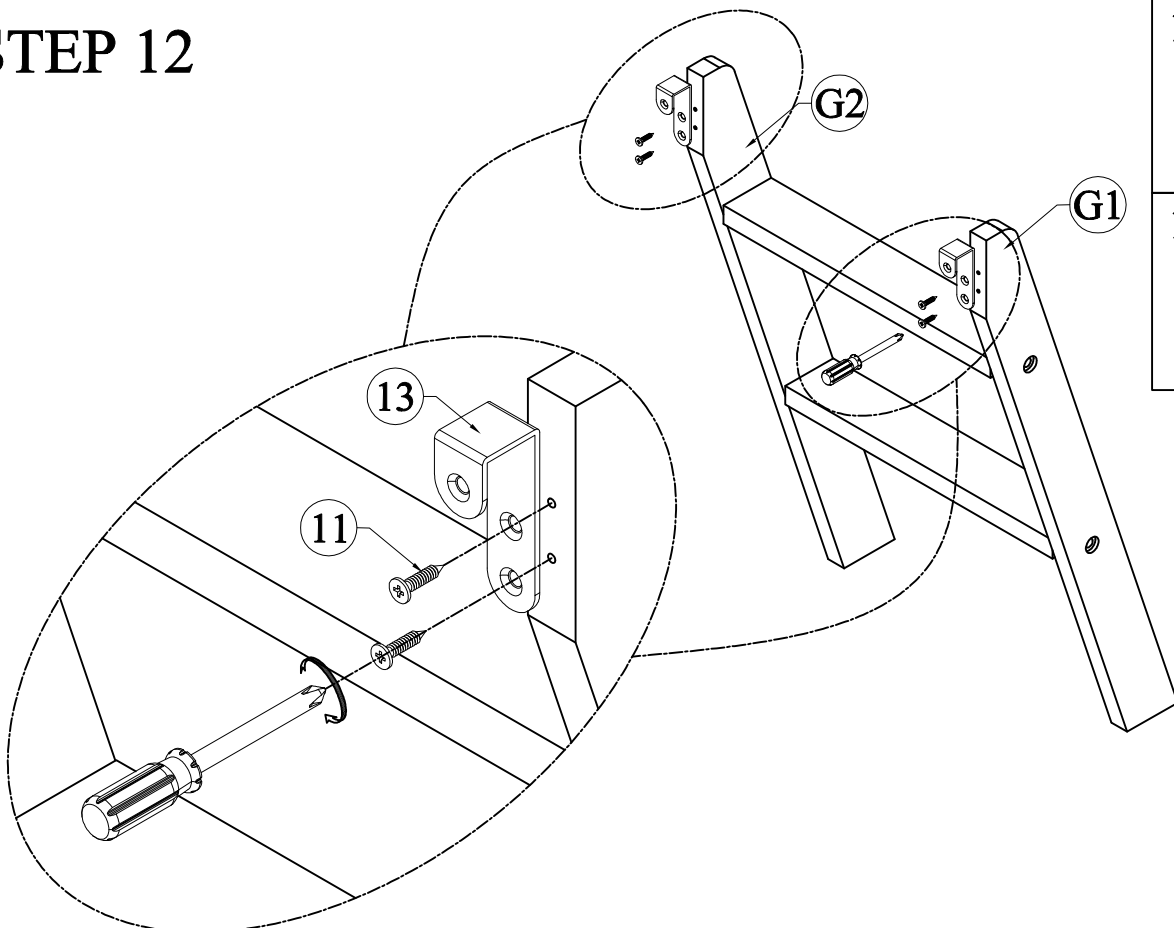
Hexagonal bolts catch wood
Ø1/4" * 50 - 4pcs

9



Wood dowel
Ø8 * 30 - 8pcs

STEP 12



11



Wood crews
M4 * 30 - 4pcs

13



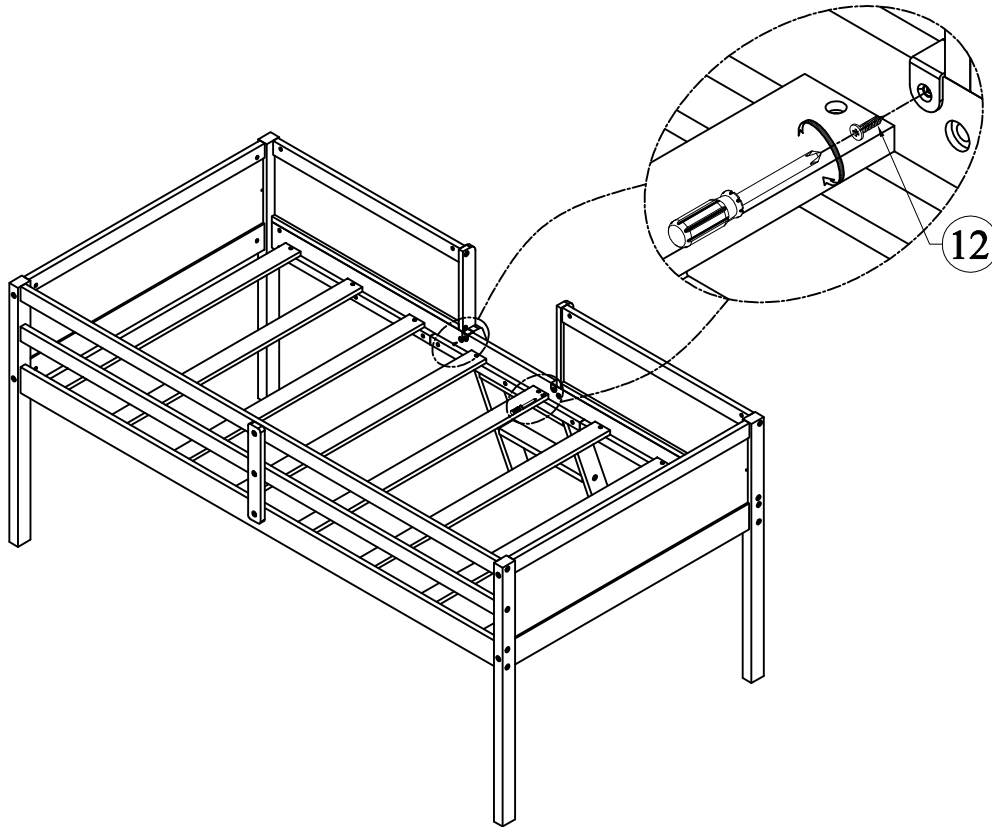
Bracket - 2pcs

STEP 13

12



Wood screws
M4 * 15 - 2pcs

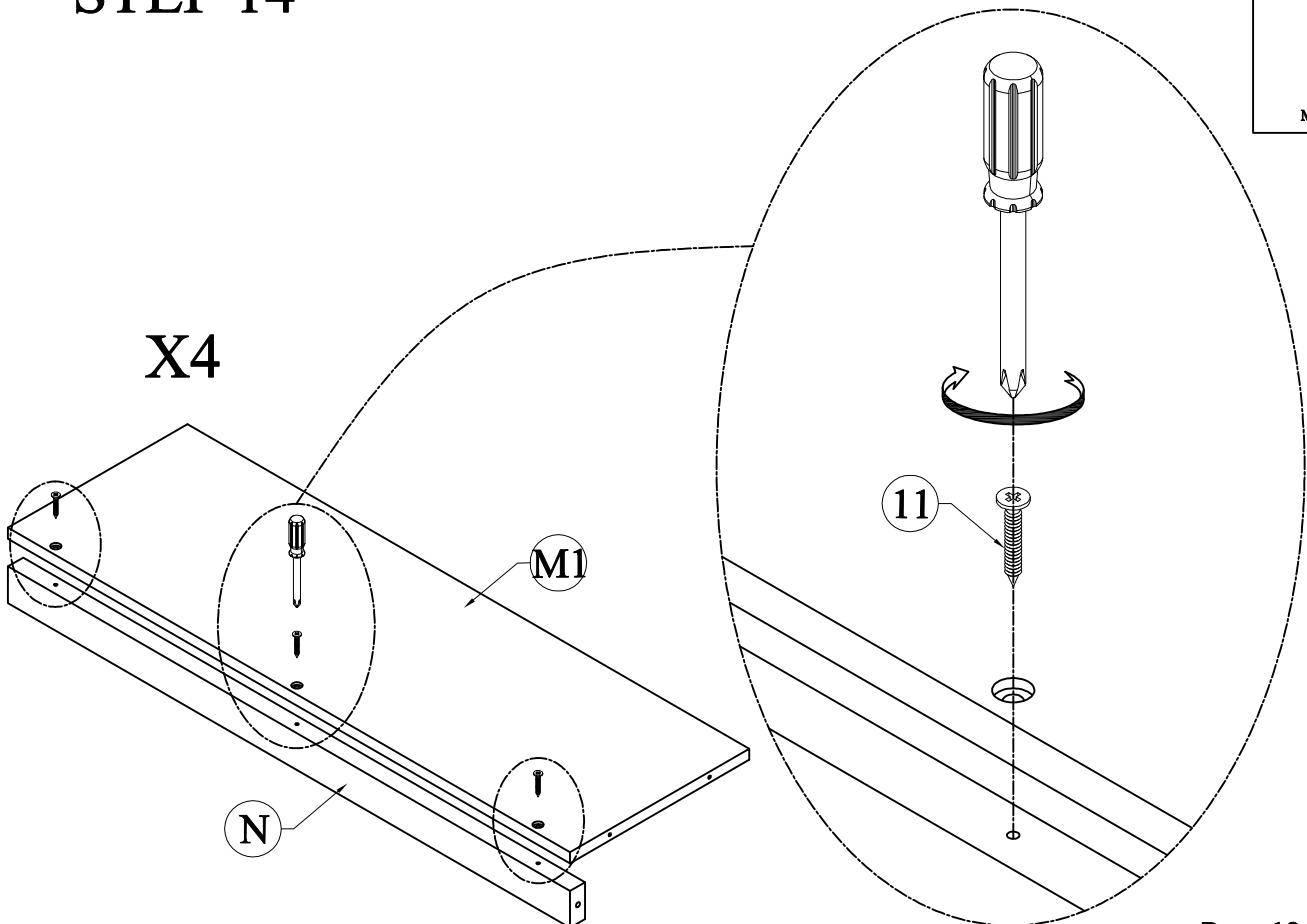


STEP 14

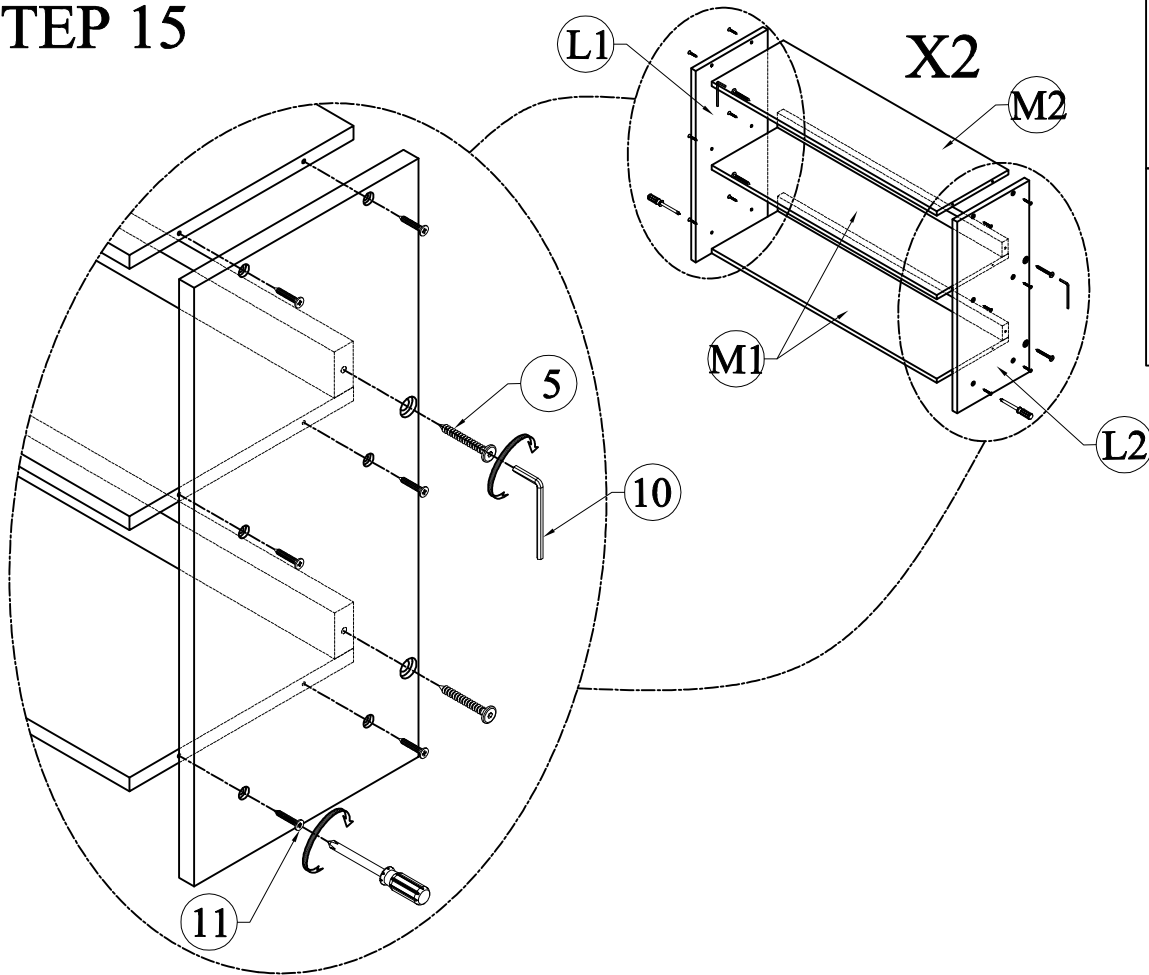
11





Wood screws
M4 * 30 - 12pcs

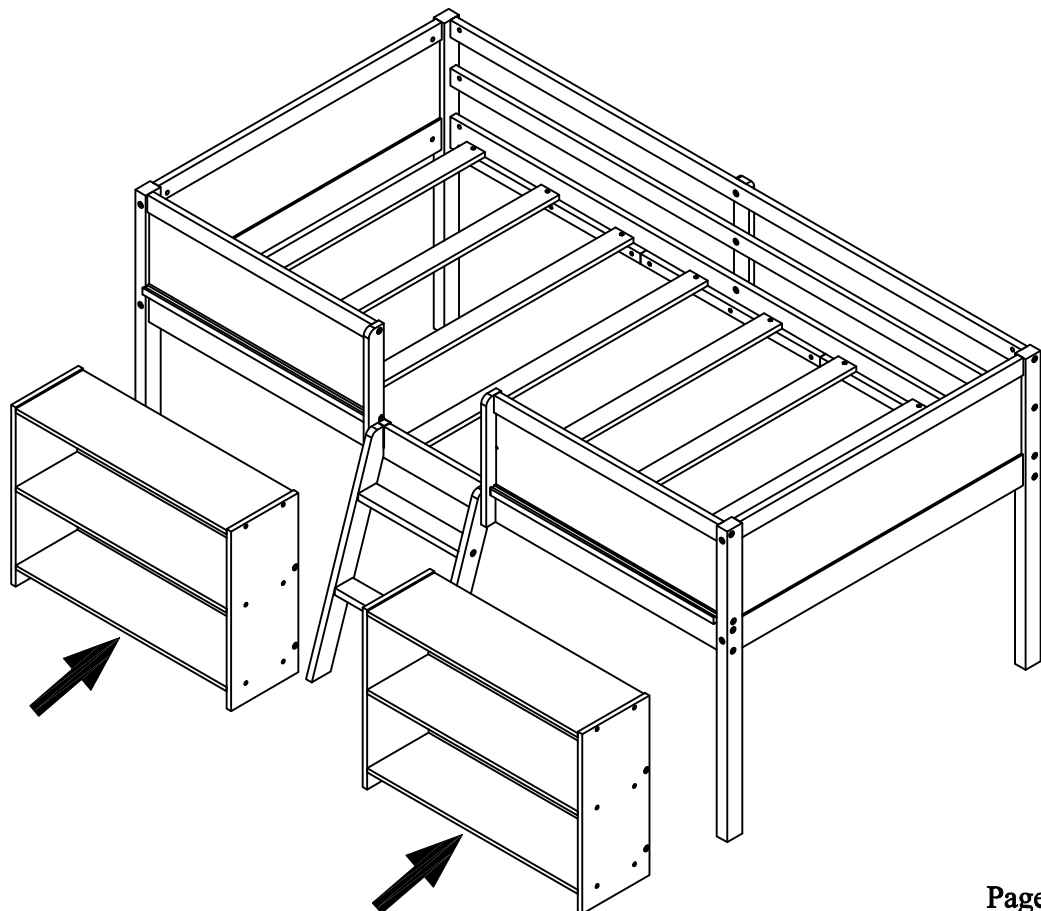


STEP 15



- 5

Hexagonal bolts catch wood
Ø1/4" * 50 - 8pcs
- 11

Wood crews
M4 * 30 - 24pcs

STEP 16



COMPLETED

