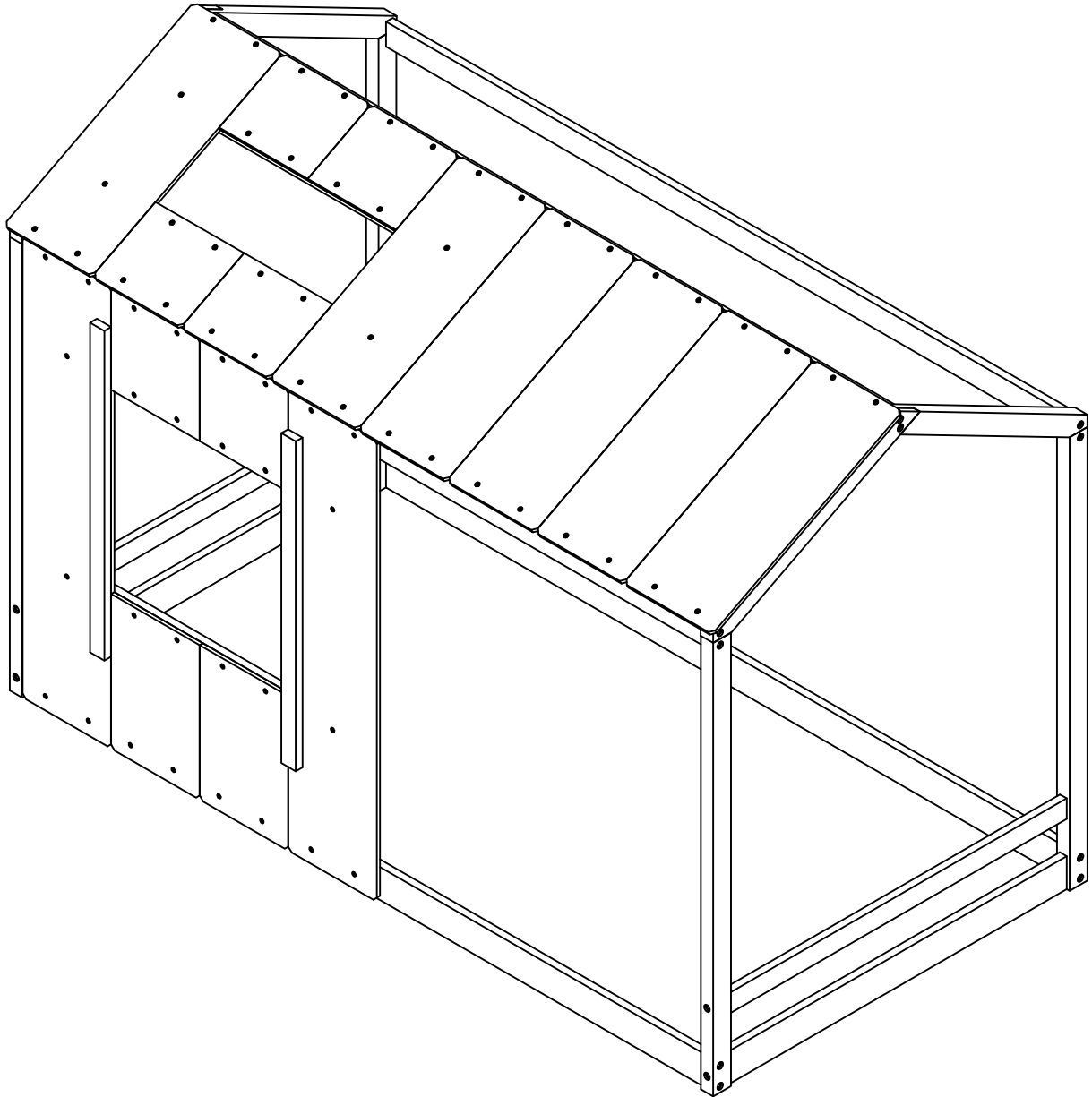
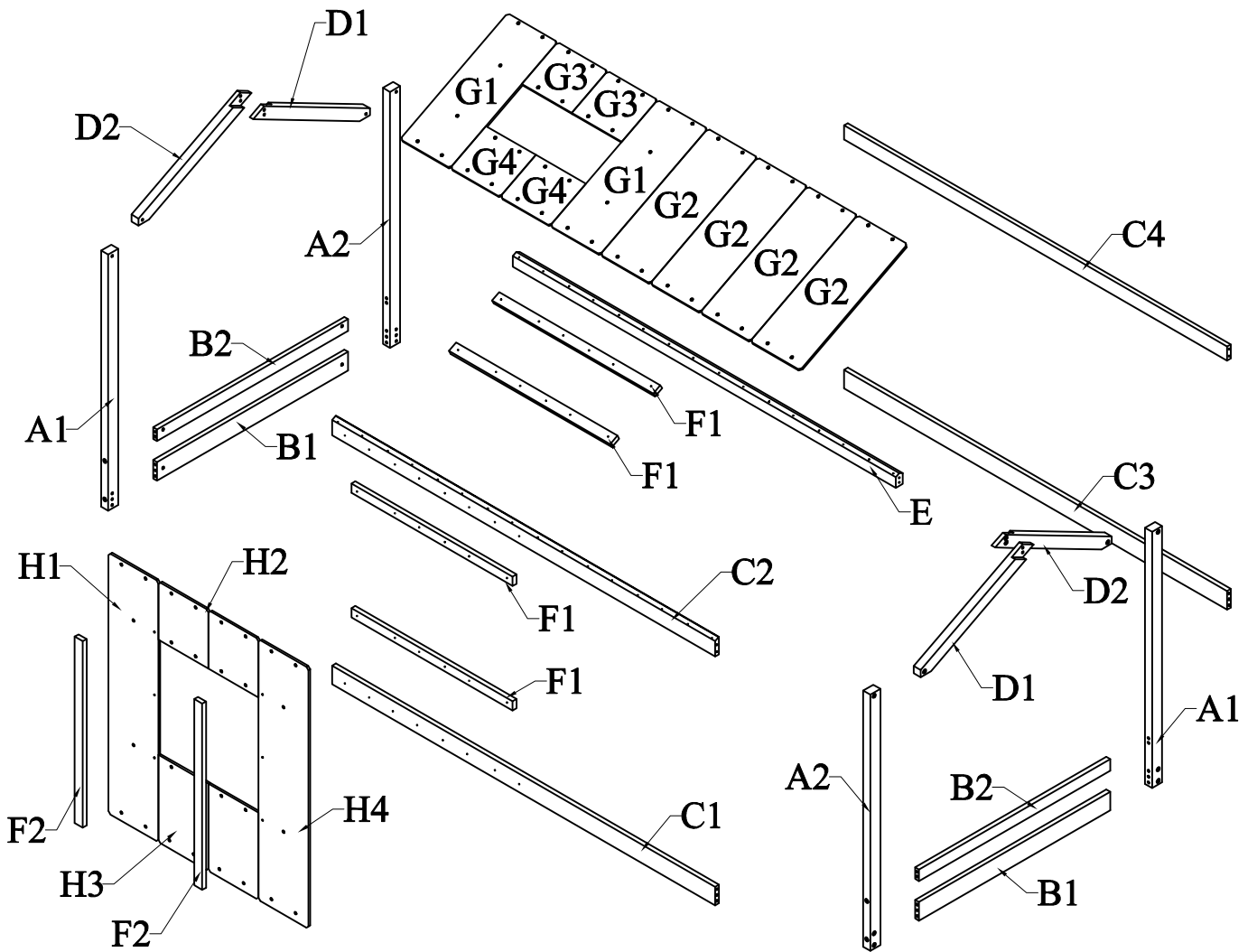


ASSEMBLY INSTRUCTIONS

ITEM CODE: WF312208



DETAIL VIEW



BOX: WF312208

A1



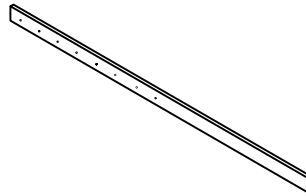
Left Legs (2pcs)

A2



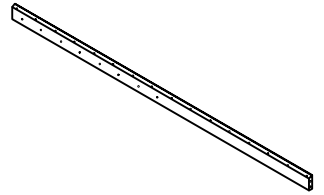
Right Legs (2pcs)

C1



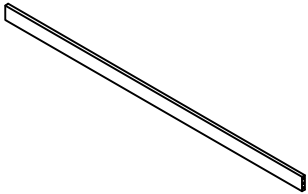
Front rail - bottom (1pc)

C2



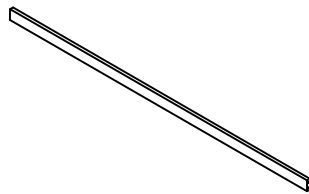
Back rail - bottom (1pc)

C3



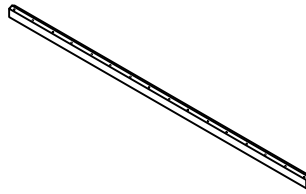
Front rail - top (1pc)

C4



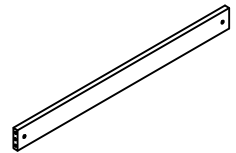
Back rail - Top (1pc)

E



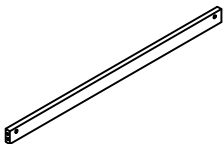
Top rail - middle (1pc)

B1



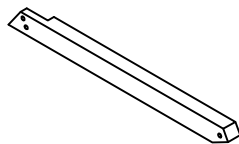
Bottom rail (2pcs)

B2



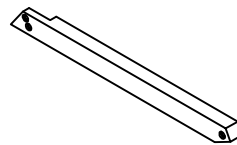
Top rail (2pcs)

D1



Roof slant bar - left (2pcs)

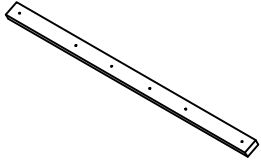
D2



Roof slant bar - right (2pcs)

BOX: WF312208

F1



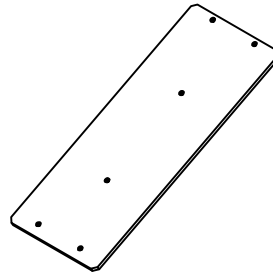
Support bar 1 (4pcs)

F2



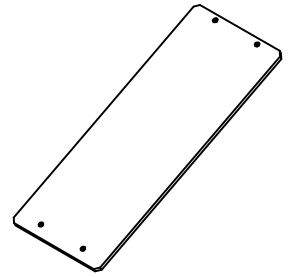
Support bar 2 (2pcs)

G1



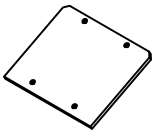
Top pannel 1 (2pcs)

G2



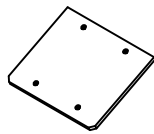
Top pannel 2 (4pcs)

G3



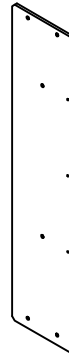
Top pannel 3 (2pcs)

G4



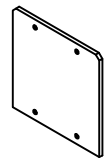
Top pannel 4 (2pcs)

H1



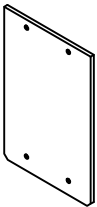
Front pannel 1 (1pc)

H2



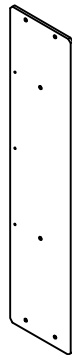
Front pannel 2 (2pcs)

H3



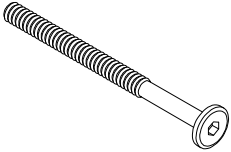
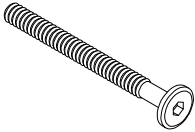
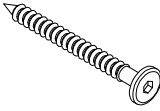

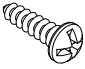
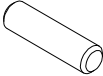
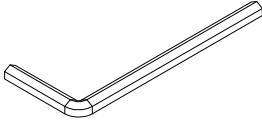
Front pannel 3 (2pcs)

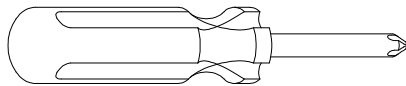
H4



Front pannel 4 (1pc)

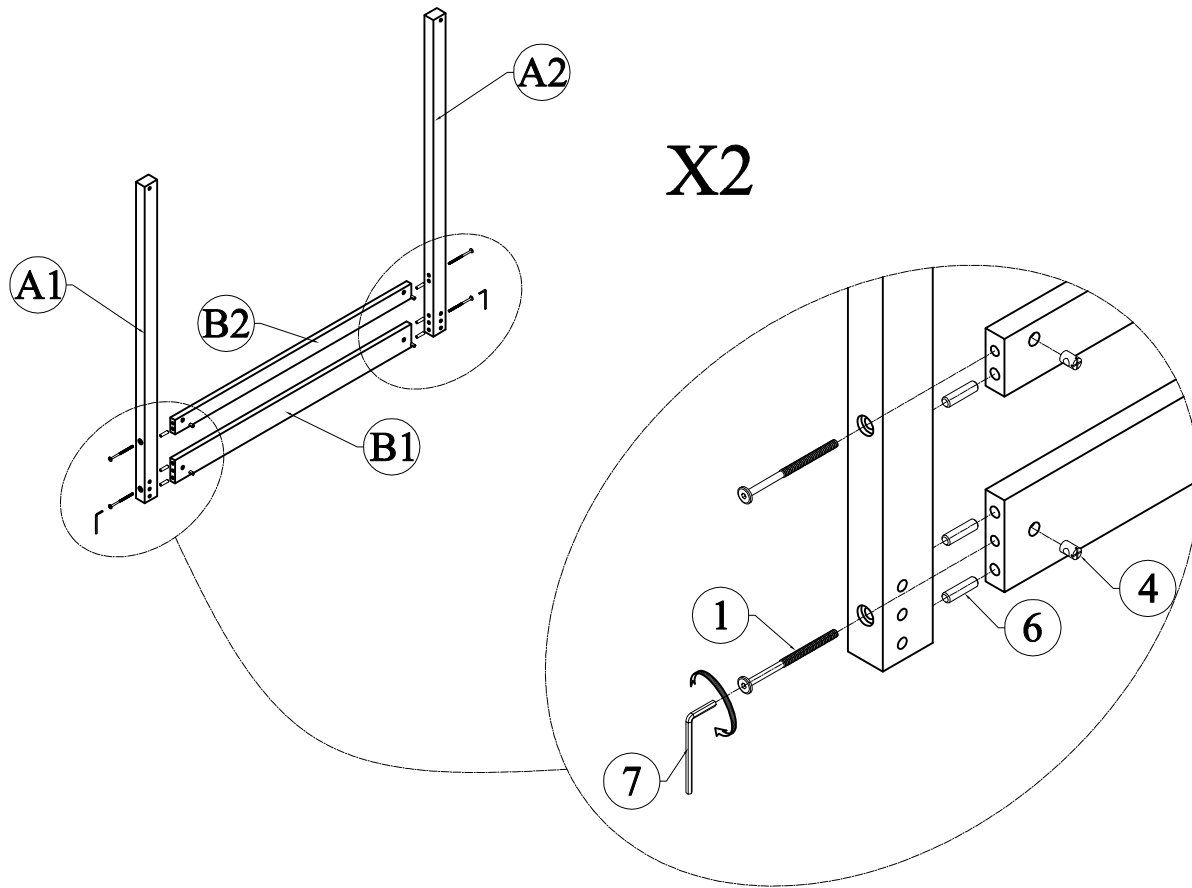
HARDWARE LIST: WF312208

<p>1</p>  <p>Hex - Head bolts Ø1/4" * 100 - 8pcs</p>	<p>2</p>  <p>Hex - Head bolts Ø1/4" * 80 - 8pcs</p>	<p>3</p>  <p>Hexagonal bolts catch wood Ø6 * 60 - 12pcs</p>	<p>4</p>  <p>Horizontal - Hold bolts Ø1/4" - 16pcs</p>
<p>5</p>  <p>Round wood crews M4 * 20 - 78pcs</p>	<p>6</p>  <p>Wood dowel Ø8 * 30 - 16pcs</p>	<p>7</p>  <p>Allen key K4 - 1pc</p>	


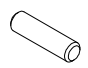


Assembly Tools Required (Not Included)

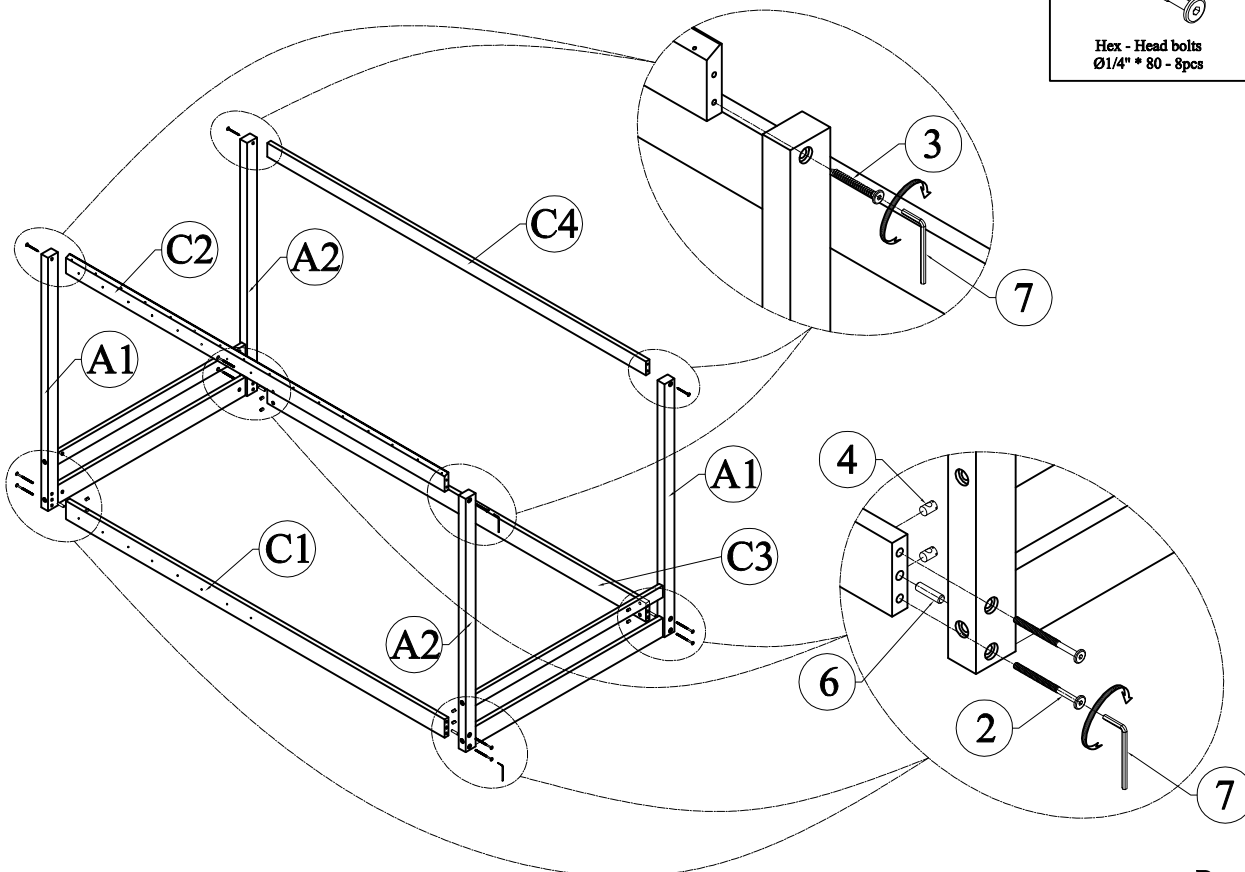
STEP 1

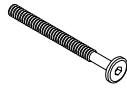


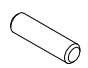


- 1

 Hex - Head bolts
 Ø1/4" * 90 - 8pcs
- 4

 Horizontal - Hold bolts
 Ø1/4" - 8pcs
- 6

 Wood dowel
 Ø8 * 30 - 12pcs

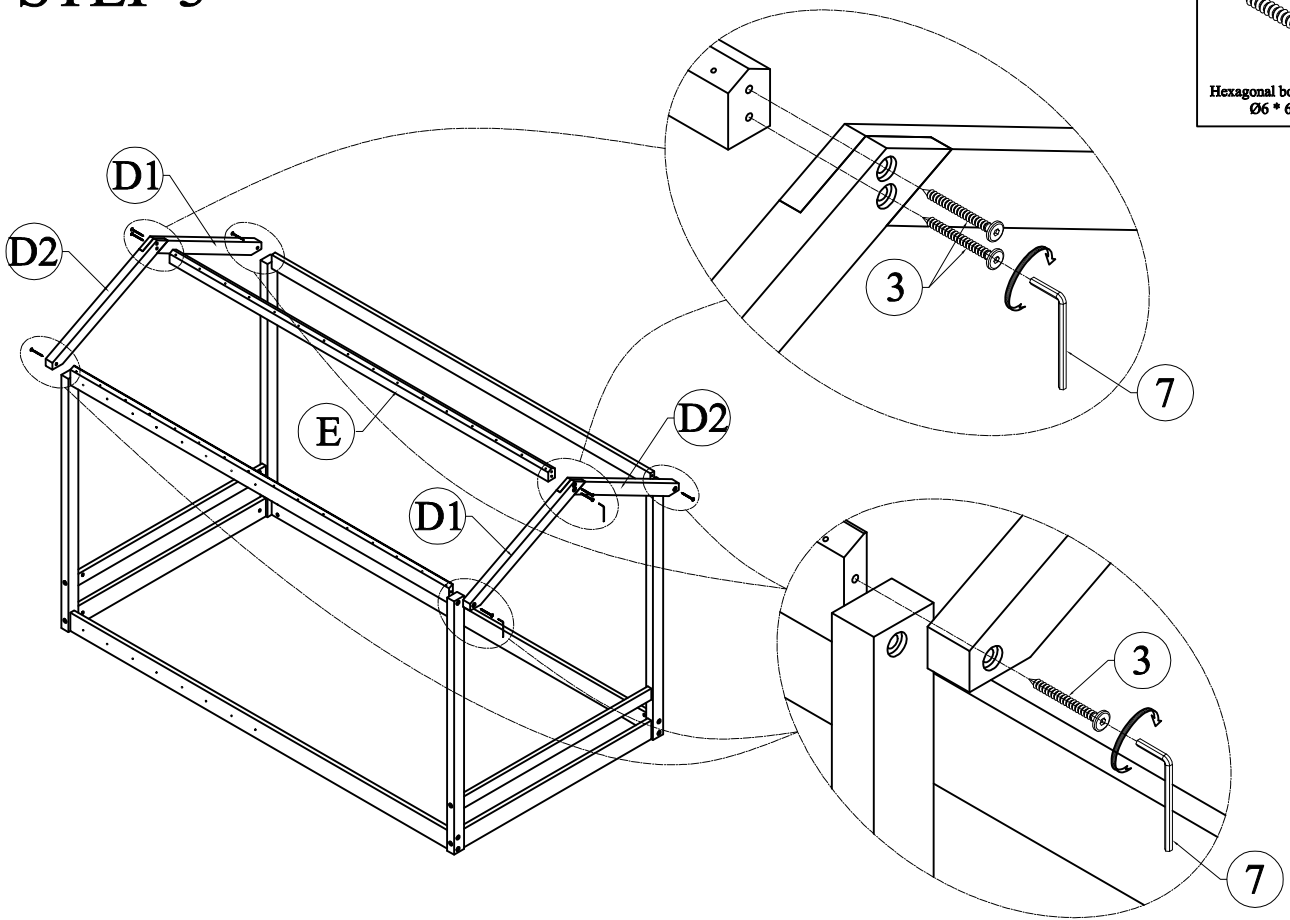
STEP 2



- 2

 Hex - Head bolts
 Ø1/4" * 80 - 8pcs
- 3

 Hexagonal bolts catch wood
 Ø6 * 60 - 4pcs
- 4

 Horizontal - Hold bolts
 Ø1/4" - 8pcs
- 6

 Wood dowel
 Ø8 * 30 - 4pcs

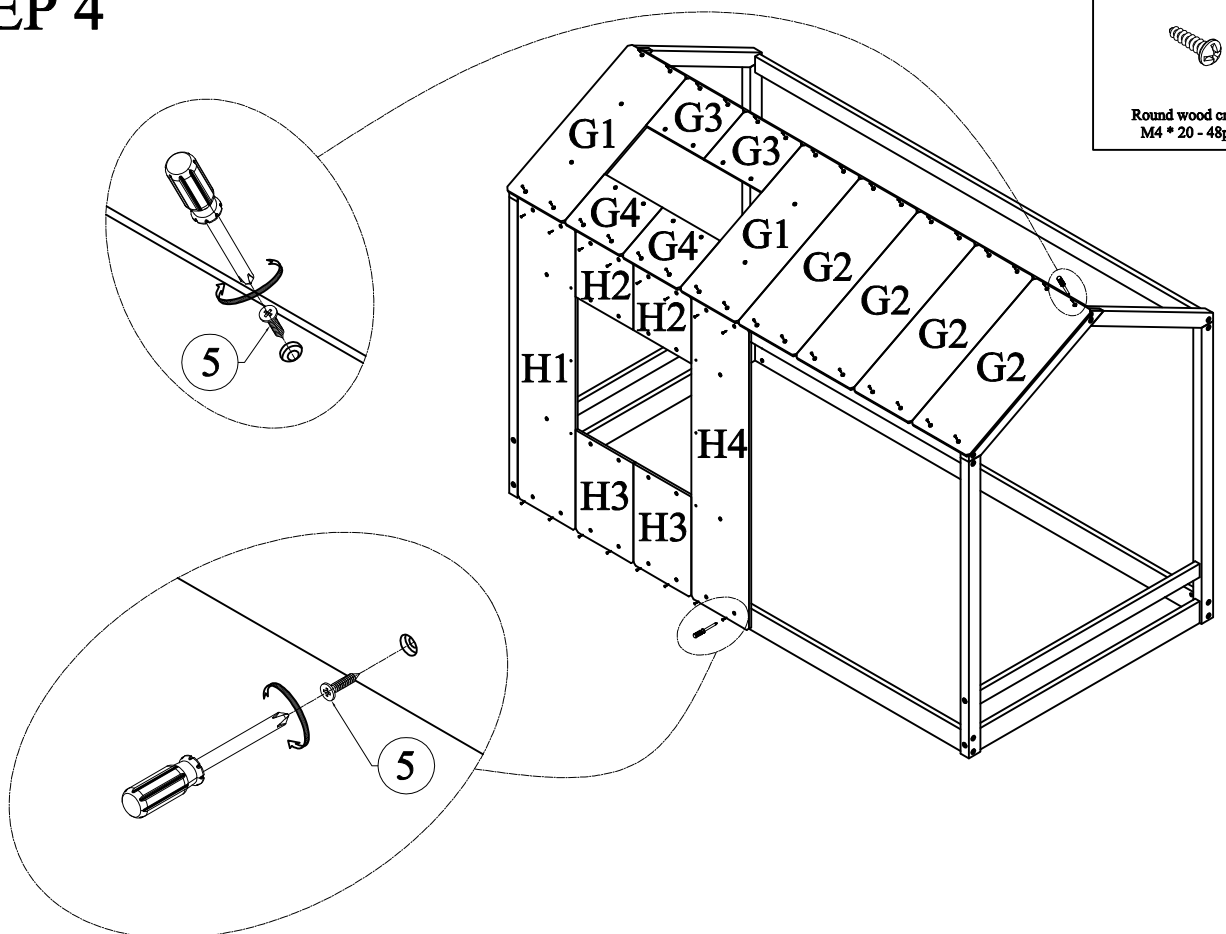
STEP 3

3
Hexagonal bolts catch wood
Ø6 * 60 - 8pcs



STEP 4

5
Round wood crews
M4 * 20 - 48pcs

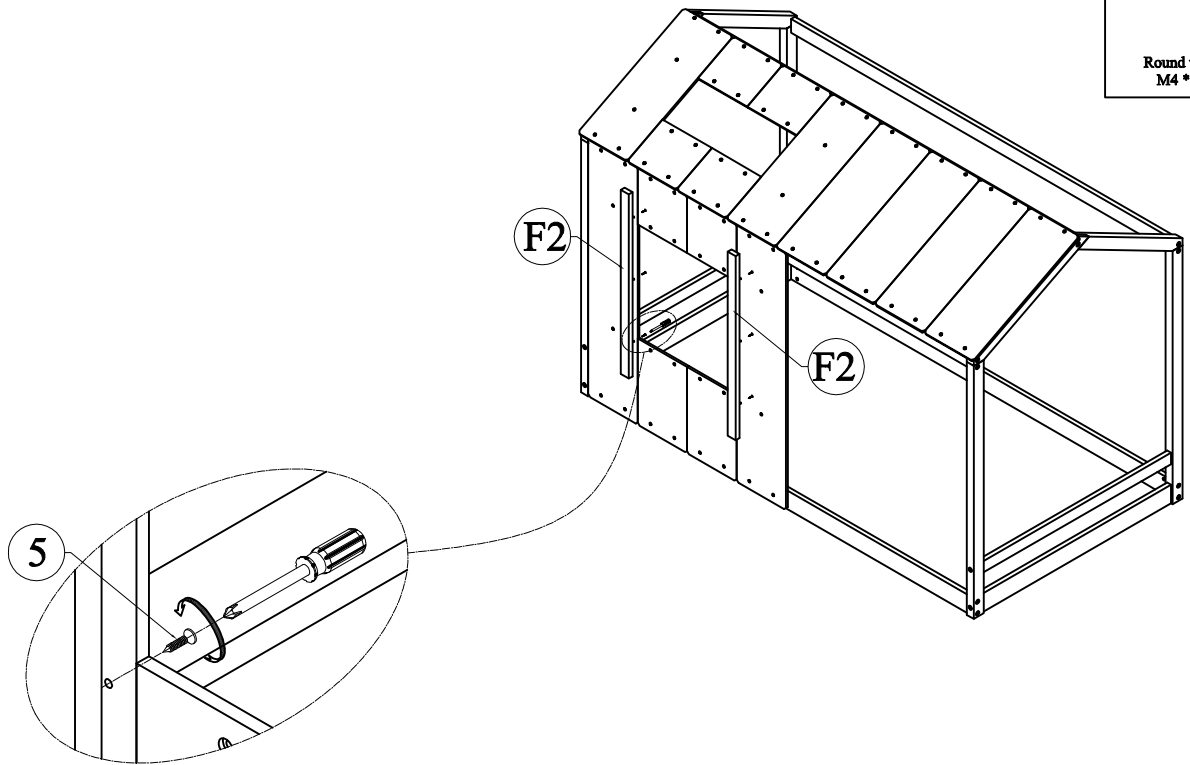


STEP 5

5



Round wood crews
M4 * 20 - 6pcs

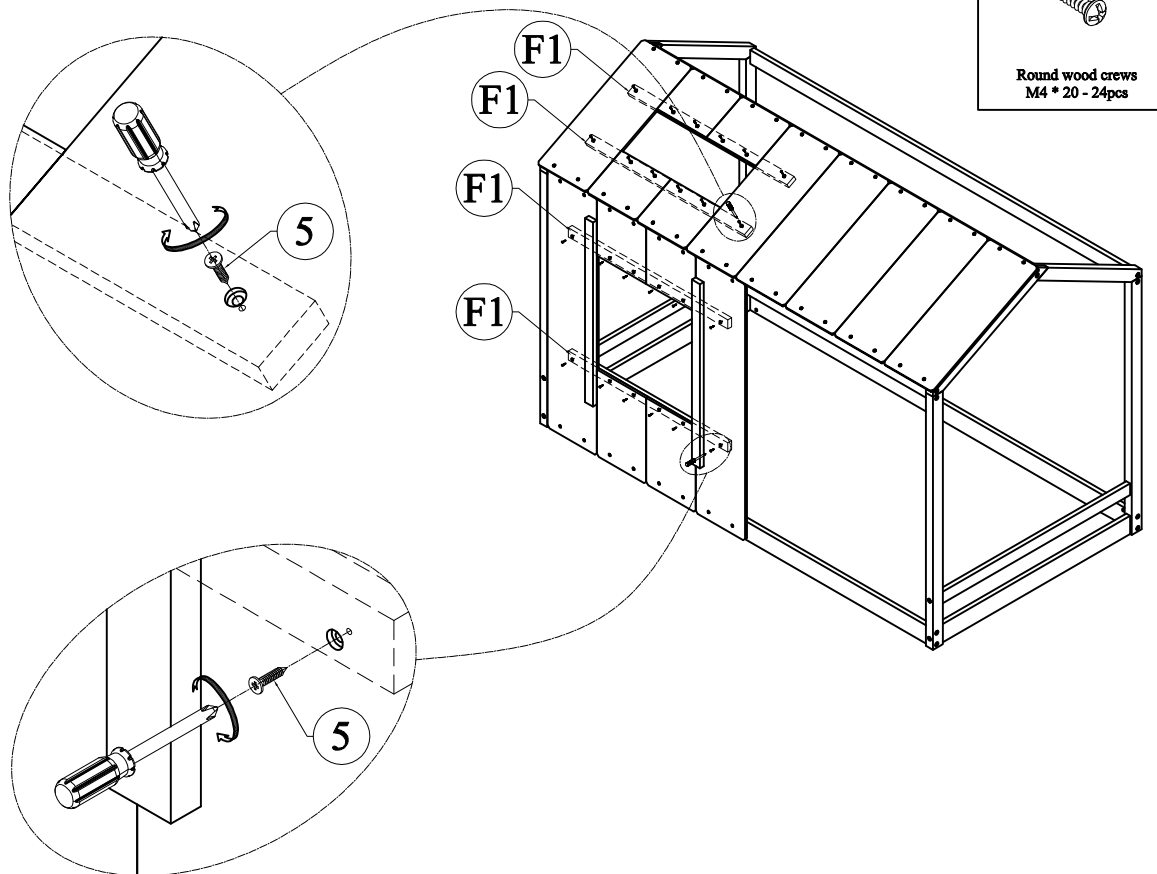


STEP 6

5



Round wood crews
M4 * 20 - 24pcs



COMPLETED

