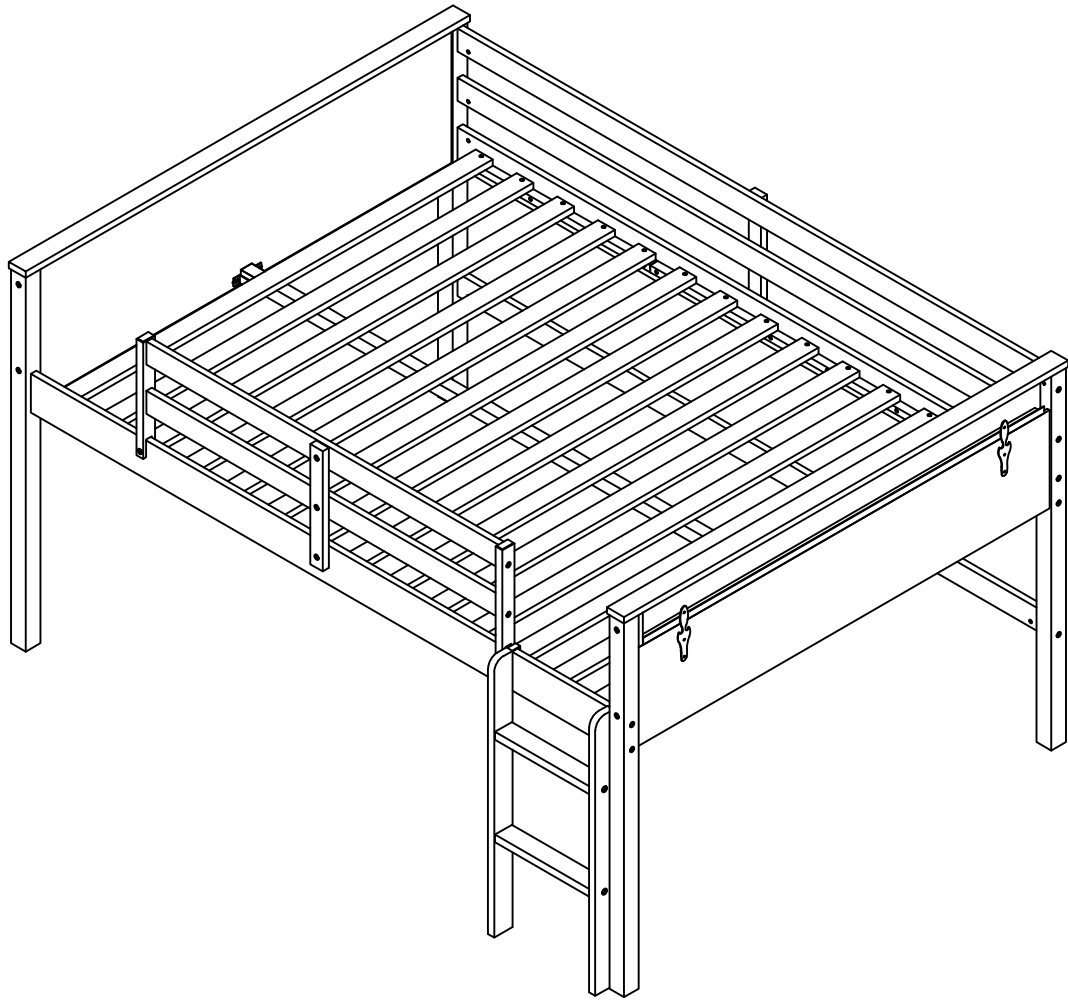


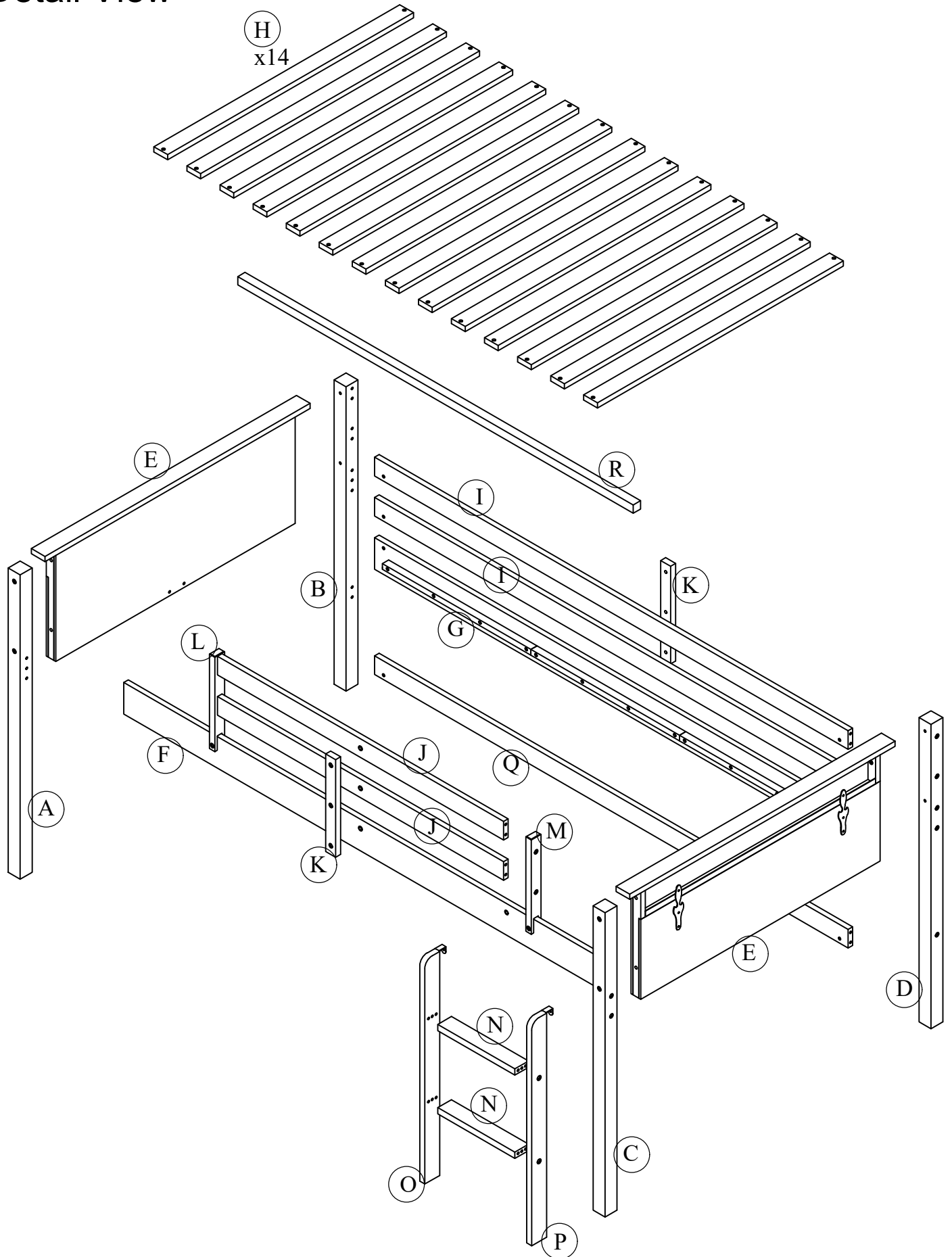
# ASSEMBLY INSTRUCTION

## FULL LOFT BED



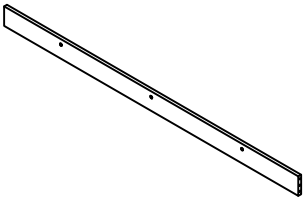
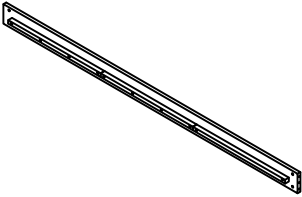
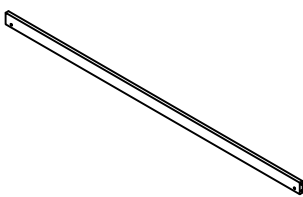
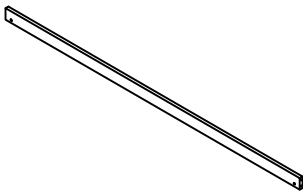
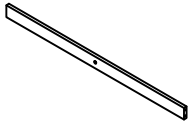




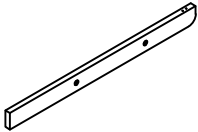
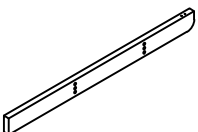
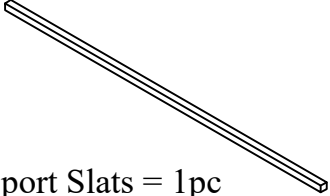
WF311674/WF311675

# Detail View





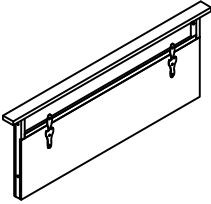
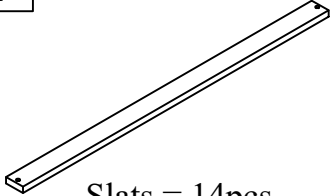


SKU: WF311674

Part List





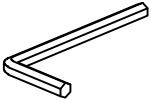


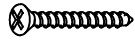


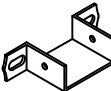
<p>F</p>  <p>Front side rail = 1pc</p>	<p>G</p>  <p>Back side rail = 1pc</p>	<p>Q</p>  <p>Back side rail bottom = 1pc</p>
<p>I</p>  <p>Back side rail top = 2pcs</p>	<p>J</p>  <p>Front side rail top = 2pcs</p>	<p>K</p>  <p>Support side rail = 2pcs</p>
<p>L</p>  <p>Left support front side rail = 1pc</p>	<p>M</p>  <p>Right support front side rail = 1pc</p>	<p>N</p>  <p>Stair steps = 2pcs</p>
<p>O</p>  <p>Left stair leg = 1pc</p>	<p>P</p>  <p>Right stair leg = 1pc</p>	<p>R</p>  <p>Support Slats = 1pc</p>

SKU: WF311675

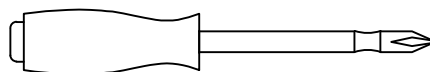
<p>A</p>  <p>Left front leg = 1pc</p>	<p>B</p>  <p>Left back leg = 1pc</p>	<p>C</p>  <p>Right front leg = 1pc</p>
<p>D</p>  <p>Right back leg = 1pc</p>	<p>E</p>  <p>Side frame = 2pcs</p>	<p>H</p>  <p>Slats = 14pcs</p>

## Hardware List

**WF311675**


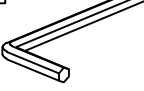
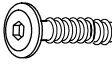
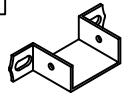
1	 Ø8*30mm Wood dowel - 22pcs	2	 (Ø13) 6*60mm Hex - Head bolts - 16pcs	3	 (Ø13) 6*90mm Hex - Head bolts - 14pcs
4	 6*10*13mm Hole bolts - 22pcs	5	 Allen Key - 1pc	6	 (Ø13) 6*30mm Hex - Head bolts - 6pcs
7	 (Ø13) 6*20mm Hex - Head bolts - 8pcs	8	 Ø4*30mm Wood Screws - 32pcs	9	 Hook - 2pcs
10	 Ø4*15mm Wood Screws - 6pcs	11	 Metal - 2pcs		

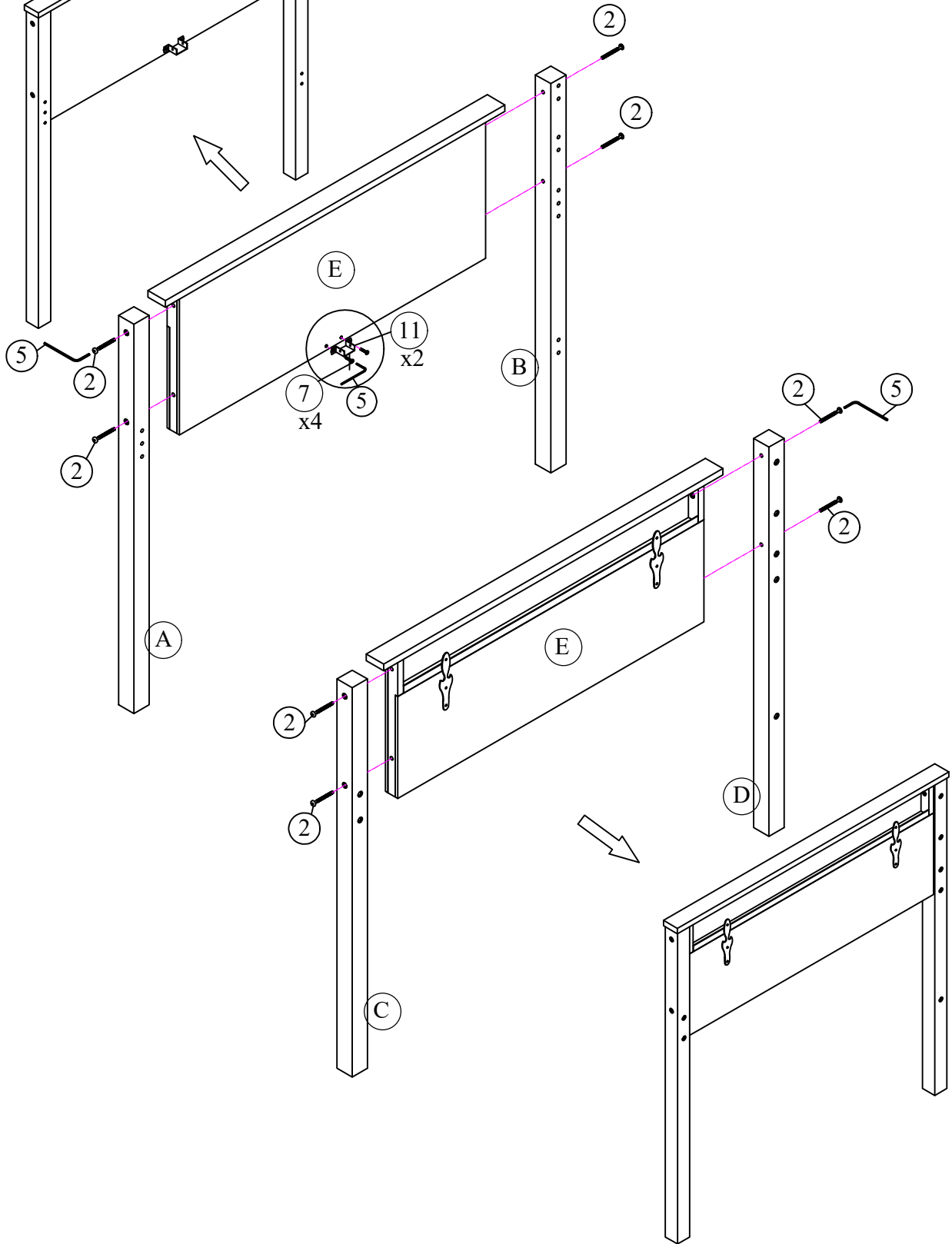
### ASSEMBLY TOOLS RUQUIRED (NOT INCLUDED)






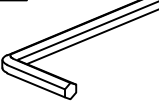

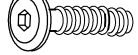
**PLEASE BE CAREFUL DO NOT DAMAGE THE HOLE POSITION WHEN YOU USE POWER TOOLS !**

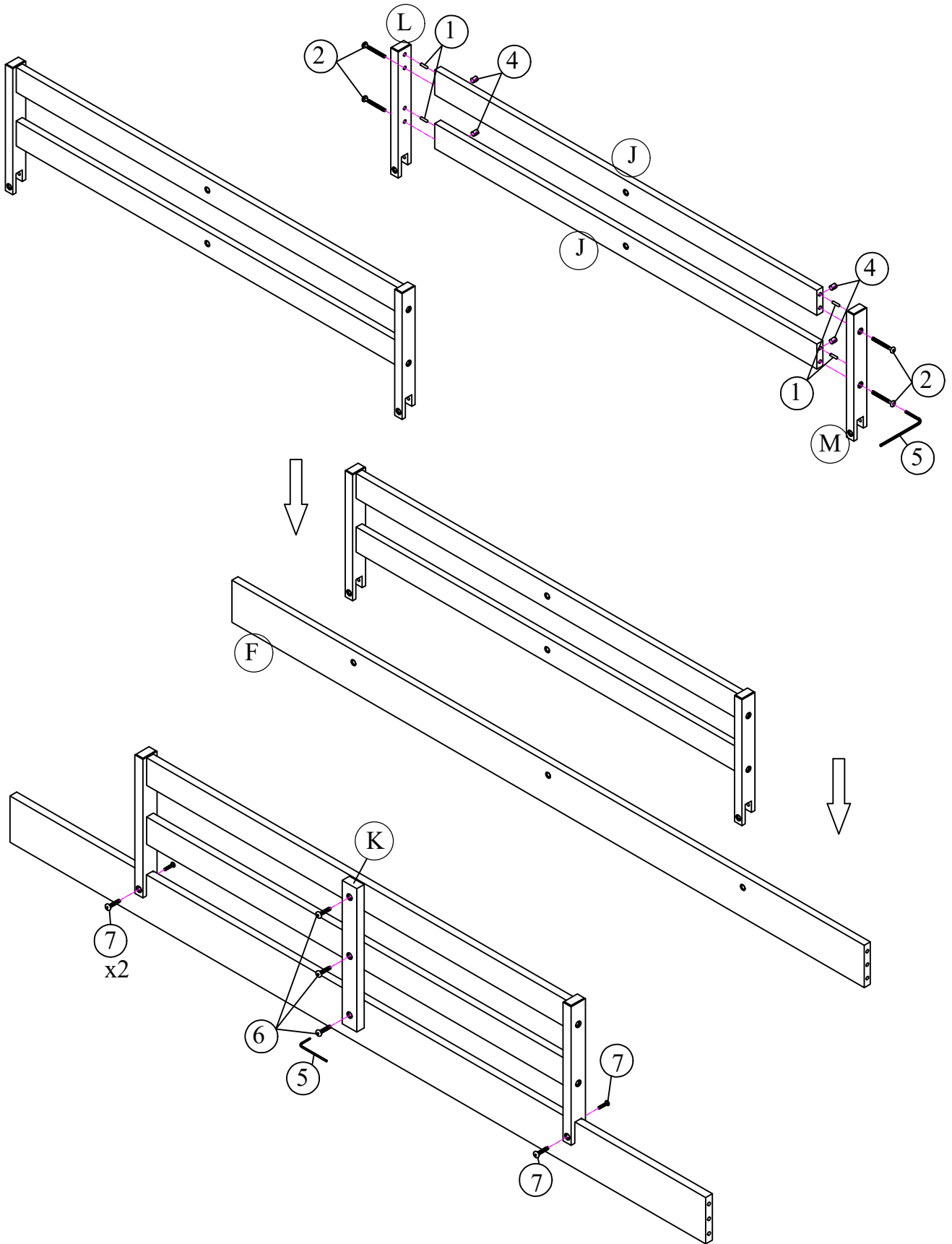
**STEP 1:**

2	5	7	11
			
8PCS	1PC	4PCS	2PCS



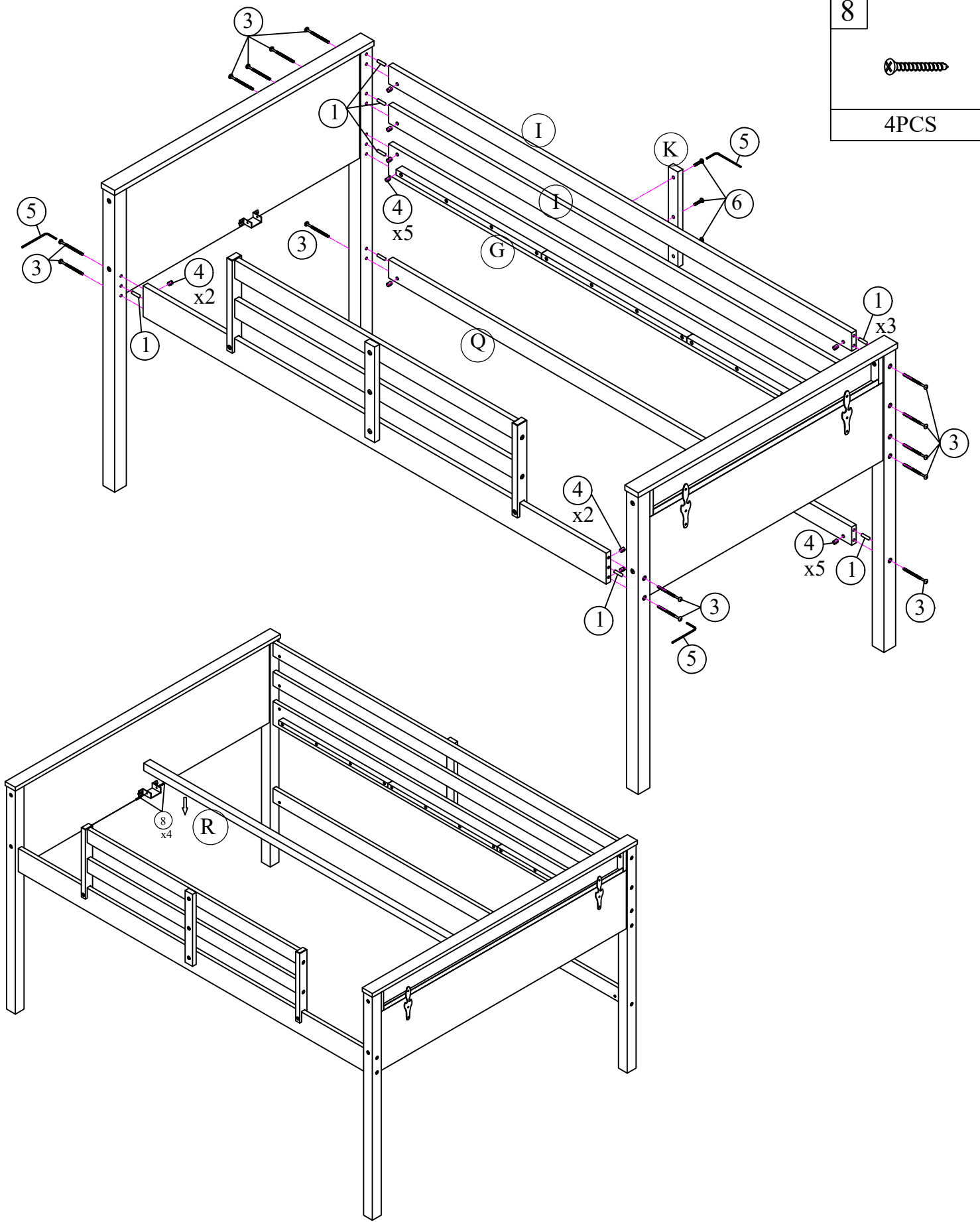
# STEP 2:

1	2	4	5	6	7
					
4PCS	4PCS	4PCS	PC	3PCS	4PCS

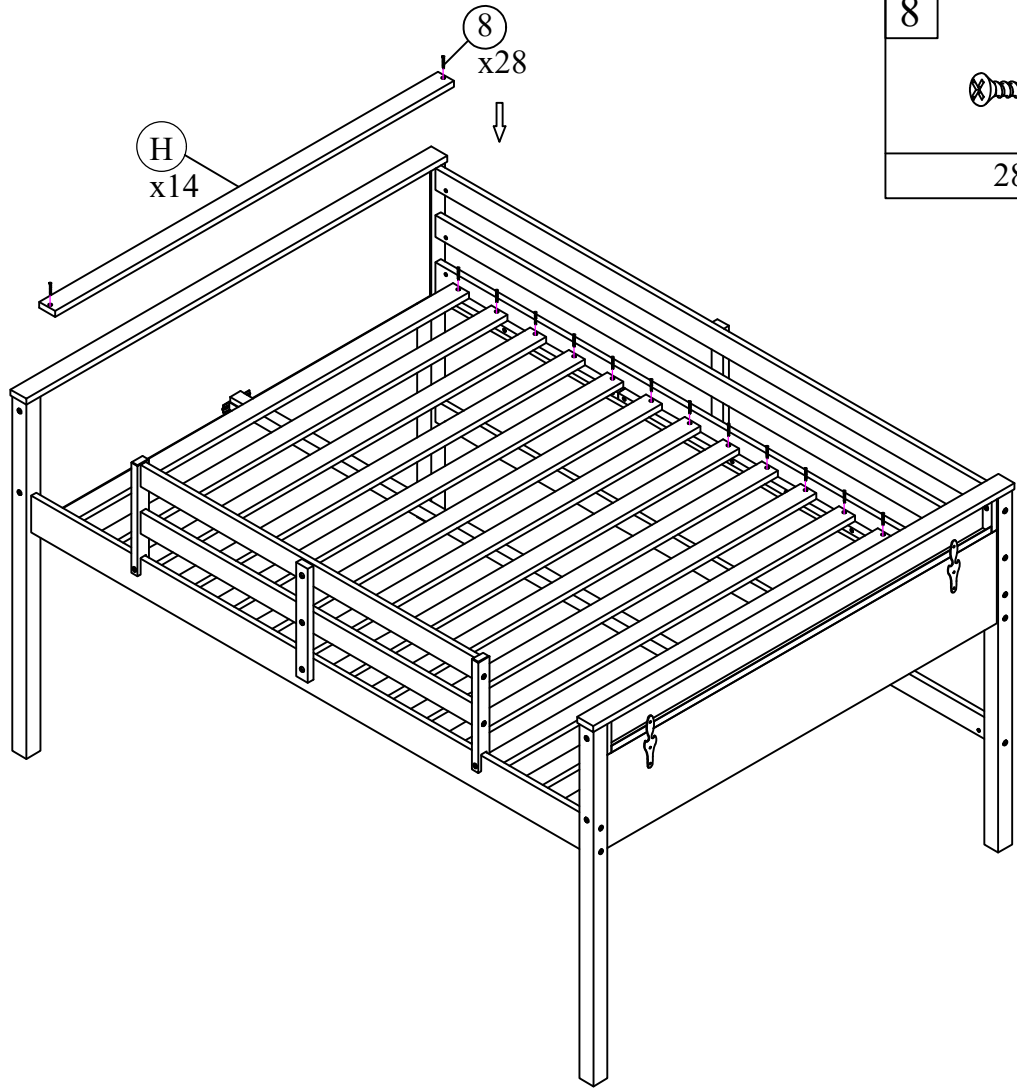


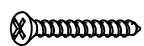
# STEP 3:

1	3	4	5	6
10PCS	14PCS	14PCS	PC	3PCS
				8
				4PCS


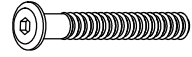

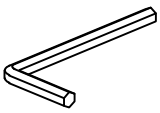


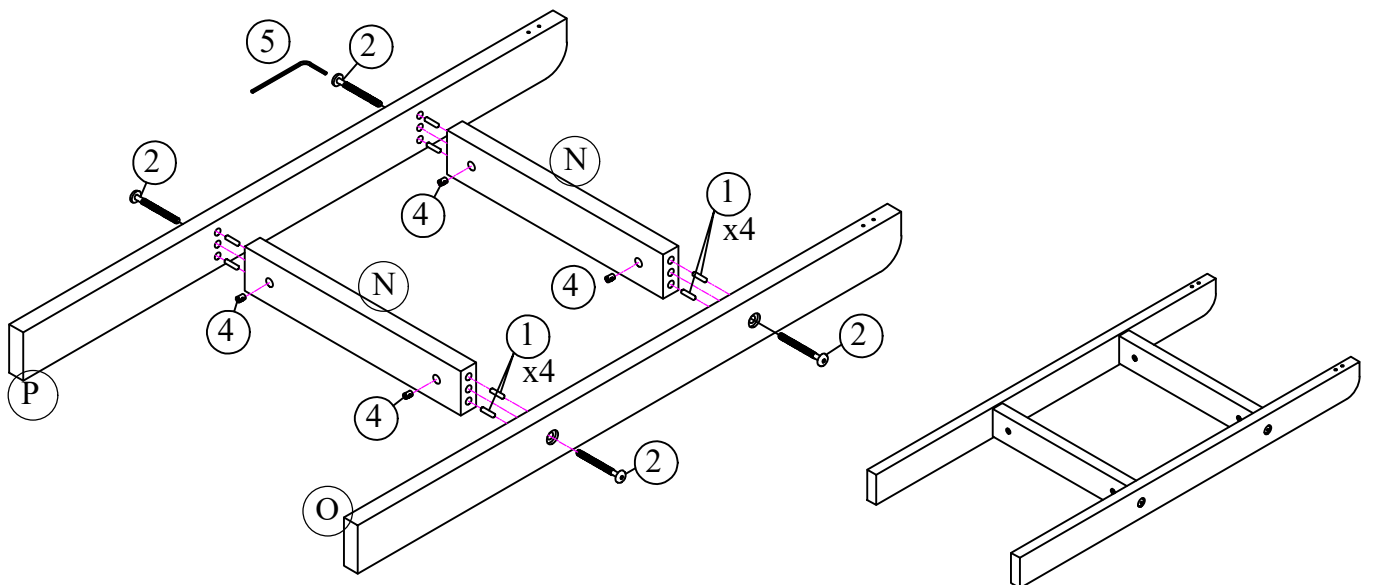
# STEP 4:



8

28PCS

# STEP 5:

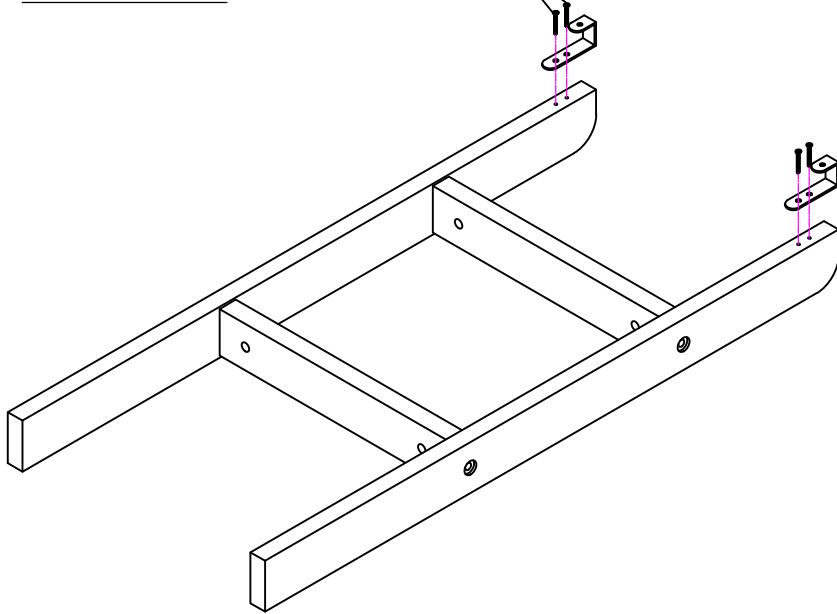
1	2	4	5
			
8PCS	4PCS	4PCS	PC



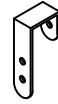


**STEP 6:**

⑩  
x4



9



2 PCS

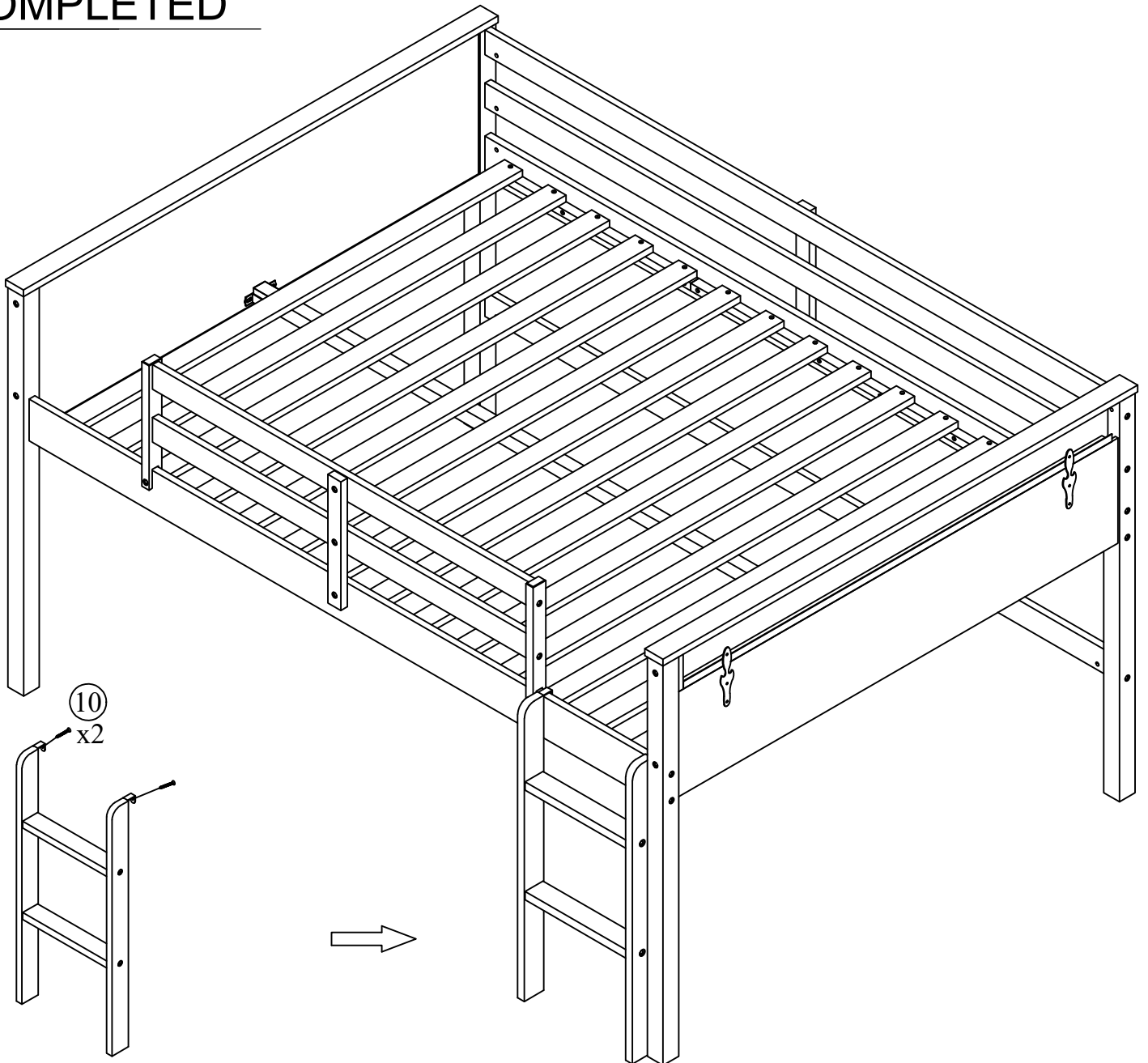
10



6 PCS

⑨  
x2

**COMPLETED**



⑩  
x2