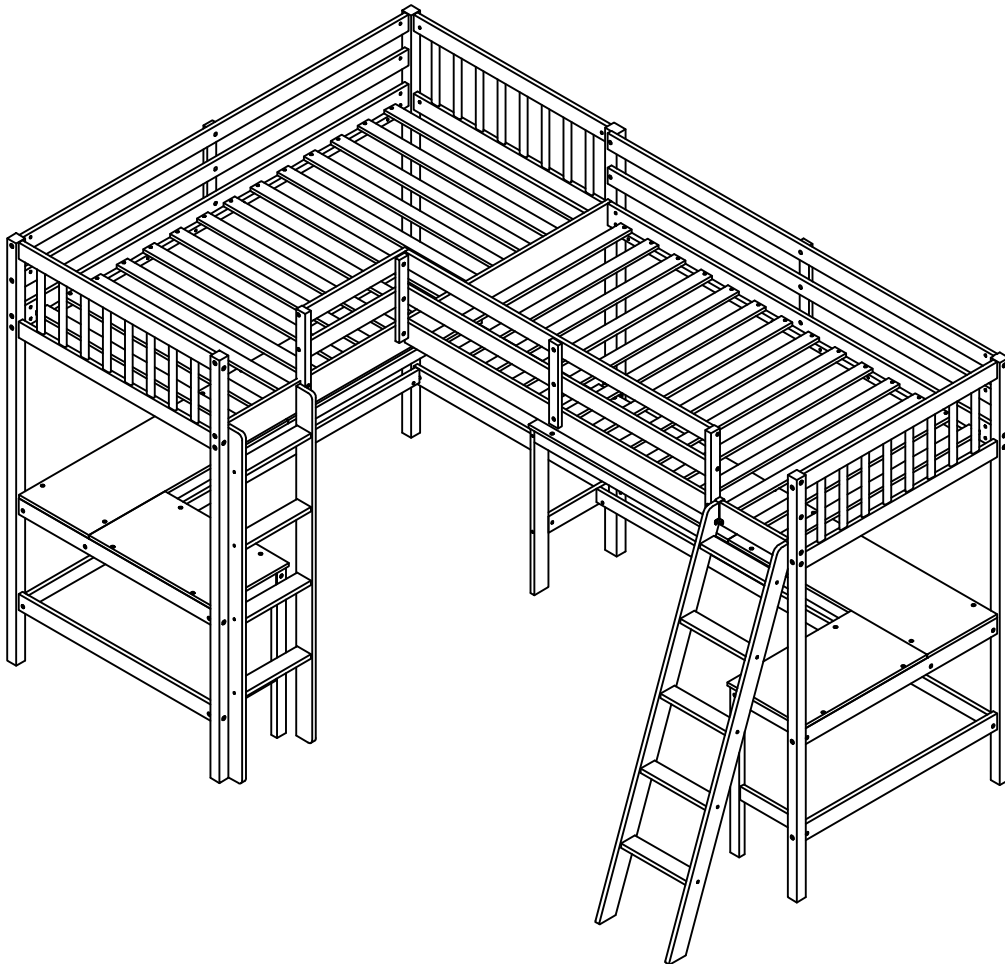


# ASSEMBLY INSTRUCTIONS

## L BUNK BED WITH STAIR AND TABLE



**WF310445/WF310446/WF310447**

## SAFETY WARNINGS AND GENERAL NOTES:

Follow the information on the warnings on the loft bed end structure and on the carton. Do not remove the warning label from the bed. Always use the recommended size mattress on mattress support, or both, to help prevent the likelihood of entrapment or falls.

The top surface of the mattress must be at least 5\*inch (127mm) below the upper edge of the guardrail.

Do not allow children under 6 years of age to use the upper bunk.

Periodically check and ensure the guardrail, ladder and other components are in their proper position, free from damage, and all connectors are tight.

Do not allow horseplay on or under beds.

Always prohibit jumping on the bed.

Prohibit more than one person on upper bunk.

Always use the ladder for entering and leaving the upper bunk.

Do not use substitute parts. Contact the manufacturer or dealer for replacement parts.

Use of a night-light may provide added safety precaution for a child using the upper bunk.

Always use guardrails on both long sides of the upper bunk.

If the loft bed will be placed next to a wall, the guardrail that runs the full length of the bed should be placed against the wall to prevent entrapment between the bed and the wall.

The use of water or sleep flotation mattresses is prohibited.

**STRANGULATION HAZARD**-Never attach or hang items to any part of the loft bed that are not designed for use with the bed.

Keep these instructions for future reference.

We recommend assembling your loft bed on the shipping carton to protect your floor or carpet.

Be certain all staples are out of the box before beginning assembly on the shipping carton.

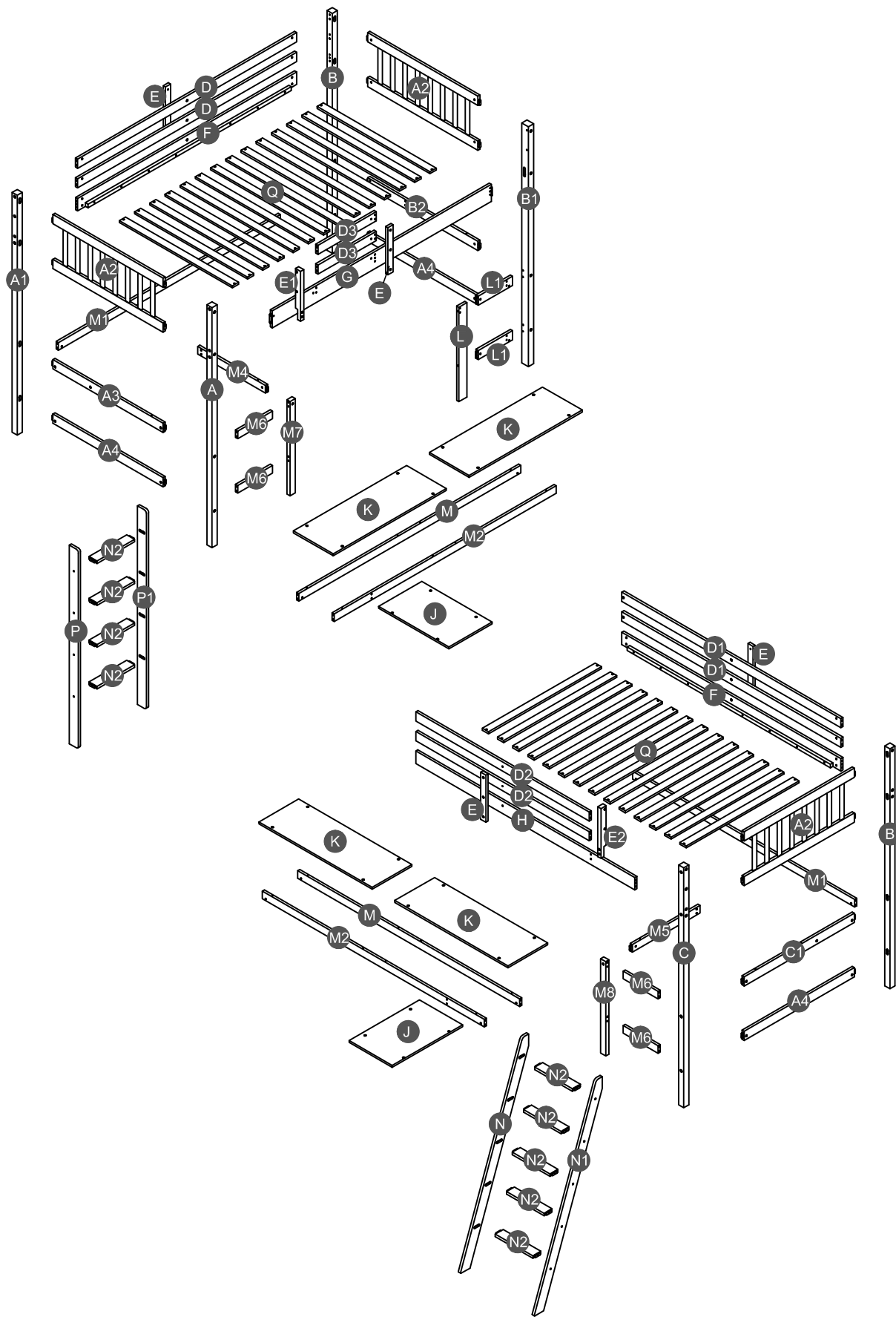
**USE ONLY MATTRESSES WHICH ARE 74"-75" LONG AND 38 1/2" WIDE ON UPPER. ENSURE THICKNESS OF MATTRESS DOES NOT EXCEED 6".**

**SURFACE OF MATTRESS MUST BE AT LEAST 5" (127MM) BELOW THE UPPER EDGE OF GUARDRAILS.**

Replacement Parts:

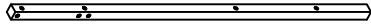
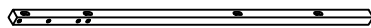
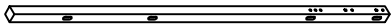
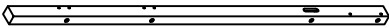
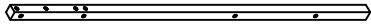







Replacement Parts, including additional guardrails, may be obtained from any of our (GIGACLOUD TECHNOLOGY (USA) INC. 18961 ARENTH AVENUE, CITY OF INDUSTRY , CA, 91748.) dealers

# Detail View

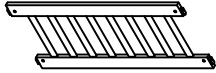

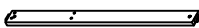


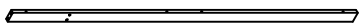
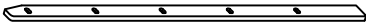
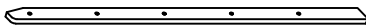
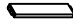

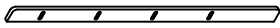
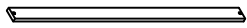


# Part List

## WF310445

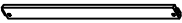
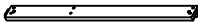






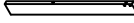
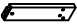
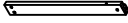
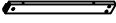

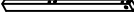
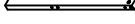
<b>A</b>  Leg (Left Front) - 1pc	<b>A1</b>  Leg (Left Back) - 1pc	<b>B</b>  Leg (Right Back) - 2pcs
<b>B1</b>  Leg (Right Front) - 1pc	<b>C</b>  Leg (Right Front) - 1pc	<b>D</b>  Long guard rail (back) - 2pcs
<b>D1</b>  Long guard rail (back) - 2pcs	<b>F</b>  Upper side rail (Back) - 2pcs	<b>G</b>  Upper side rail (Front) - 1pc
<b>H</b>  Upper side rail (Front) - 1pc	<b>M1</b>  Lower horizontal bar (back) - 2pcs	<b>Q</b>  Slat - 14pcs

## WF310446 + Hardware inside

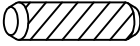
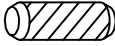

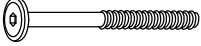
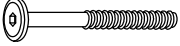
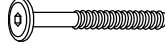







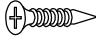
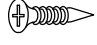
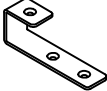

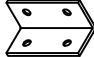
<b>A2</b>  Frame HB/FB - 3pcs	<b>A3</b>  Divider horizontal bar FB - 1pc	<b>B2</b>  Divider horizontal bar HB - 1pc
<b>D2</b>  Long guard rail (front) - 2pcs	<b>M</b>  Lower horizontal bar (back) - 2pcs	<b>M2</b>  Lower horizontal bar (front) - 2pcs
<b>N</b>  Left side ladder - 1pc	<b>N1</b>  Right side ladder - 1pc	<b>N2</b>  Step ladder - 9pcs
<b>P</b>  Left side ladder - 1pc	<b>P1</b>  Right side ladder - 1pc	<b>Q</b>  Slat - 14pcs

# Part List

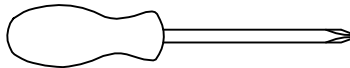
WF310447

<p><b>A4</b></p>  <p>Lower horizontal bar - 3pcs</p>	<p><b>C1</b></p>  <p>Divider horizontal bar HB - 1pc</p>	<p><b>D3</b></p>  <p>Short guard rail (front) - 2pcs</p>
<p><b>E</b></p>  <p>Vertical guard rail - 4pcs</p>	<p><b>E1</b></p>  <p>Support guard rail (Left) - 1pc</p>	<p><b>E2</b></p>  <p>Support guard rail (Right) -1pc</p>
<p><b>J</b></p>  <p>Top panel - 2pcs</p>	<p><b>K</b></p>  <p>Top panel - 4pcs</p>	<p><b>L</b></p>  <p>Short leg (Right Front) - 1pc</p>
<p><b>L1</b></p>  <p>Horizontal bar (Front) - 2pcs</p>	<p><b>M4</b></p>  <p>Horizontal bar (Left) - 1pc</p>	<p><b>M5</b></p>  <p>Horizontal bar (Right) - 1pc</p>
<p><b>M6</b></p>  <p>Horizontal bar (Front) - 4pcs</p>	<p><b>M7</b></p>  <p>Short leg (Left Front) - 1pc</p>	<p><b>M8</b></p>  <p>Short leg (Right Front) - 1pc</p>

## Hardware List WF310446



<b>1</b>  Ø10*40mm Wood dowel (12pcs)	<b>2</b>  Ø8*30mm Wood dowel (28pcs)	<b>3</b>  (Ø15)1/4"*100mm Hex-Head bolts (24pcs)
<b>4</b>  (Ø15)1/4"*80mm Hex-Head bolts (36pcs)	<b>5</b>  (Ø12)1/4"*70mm Hex-Head bolts (2pcs)	<b>6</b>  (Ø12)1/4"*60mm Hex-Head bolts (40pcs)
<b>7</b>  (Ø12)1/4"*40mm Hex-Head bolts (2pcs)	<b>8</b>  (Ø12)1/4"*35mm Hex-Head bolts (4pcs)	<b>9</b>  (Ø12)1/4"*30mm Hex-Head bolts (12pcs)
<b>10</b>  1/4"*15 (9.5mm) Horizontal-Hole bolts(100pcs)	<b>11</b>  (1/4")4.5*58mm Allen key (1pc)	<b>12</b>  (Ø12)1/4"*40mm Hex-Head bolts (24pcs)
<b>13</b>  Ø4*30mm Wood screws (56pcs)	<b>14</b>  Ø4*19mm Wood screws (10pcs)	<b>15</b>  Ø3.5*15mm Wood screws (4pcs)
<b>16</b>  81*26*21*(2.5mm) Hooks (2pcs)	<b>17</b>  21*21*17*1.7mm Metal bracket (2pcs)	<b>18</b>  40*17*17*1.6mm Metal bracket (1pc)

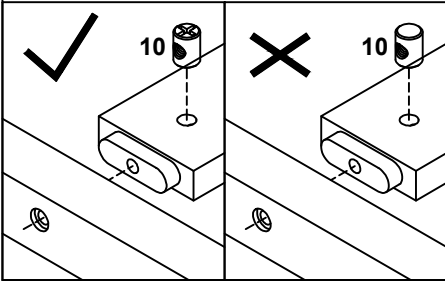
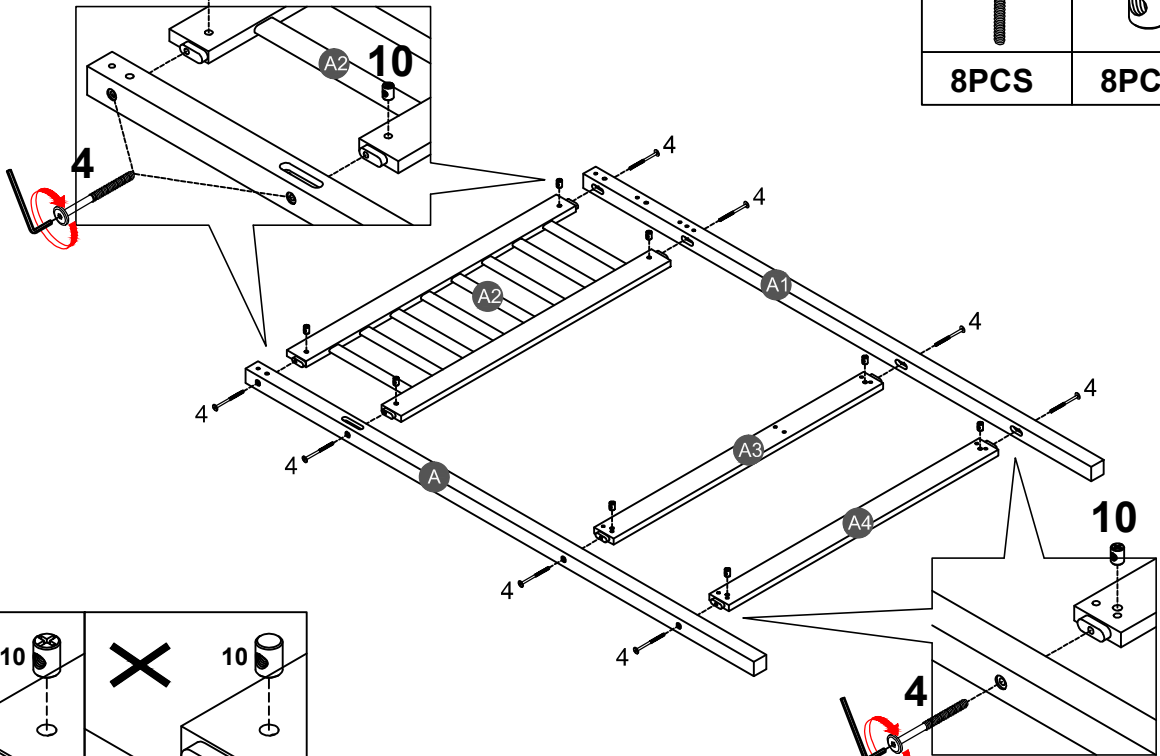
### ASSEMBLY TOOLS REQUIRED ( NOT INCLUDED )



PLEASE BE CAREFUL DO NOT DAMAGE THE HOLE POSITION WHEN YOU USE POWER TOOLS !




**STEP 1:**

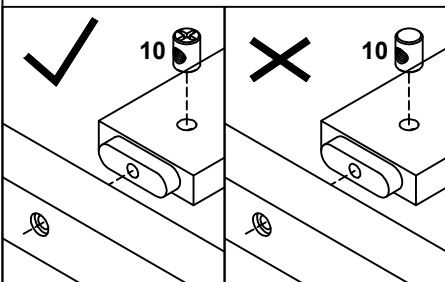
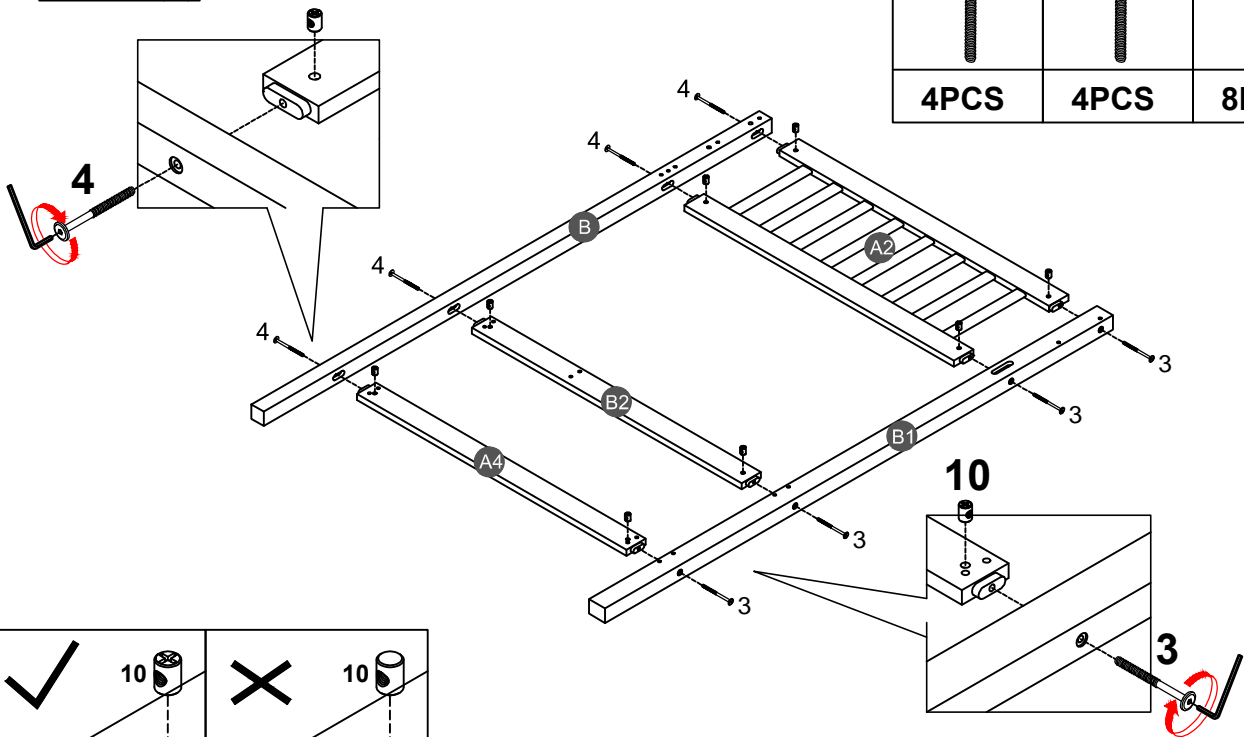
<b>4</b>		<b>10</b>	
<b>8PCS</b>		<b>8PCS</b>	



Note: Part 10 will face up with the "x" mark on it, otherwise it cannot be tightened





**STEP 2:**

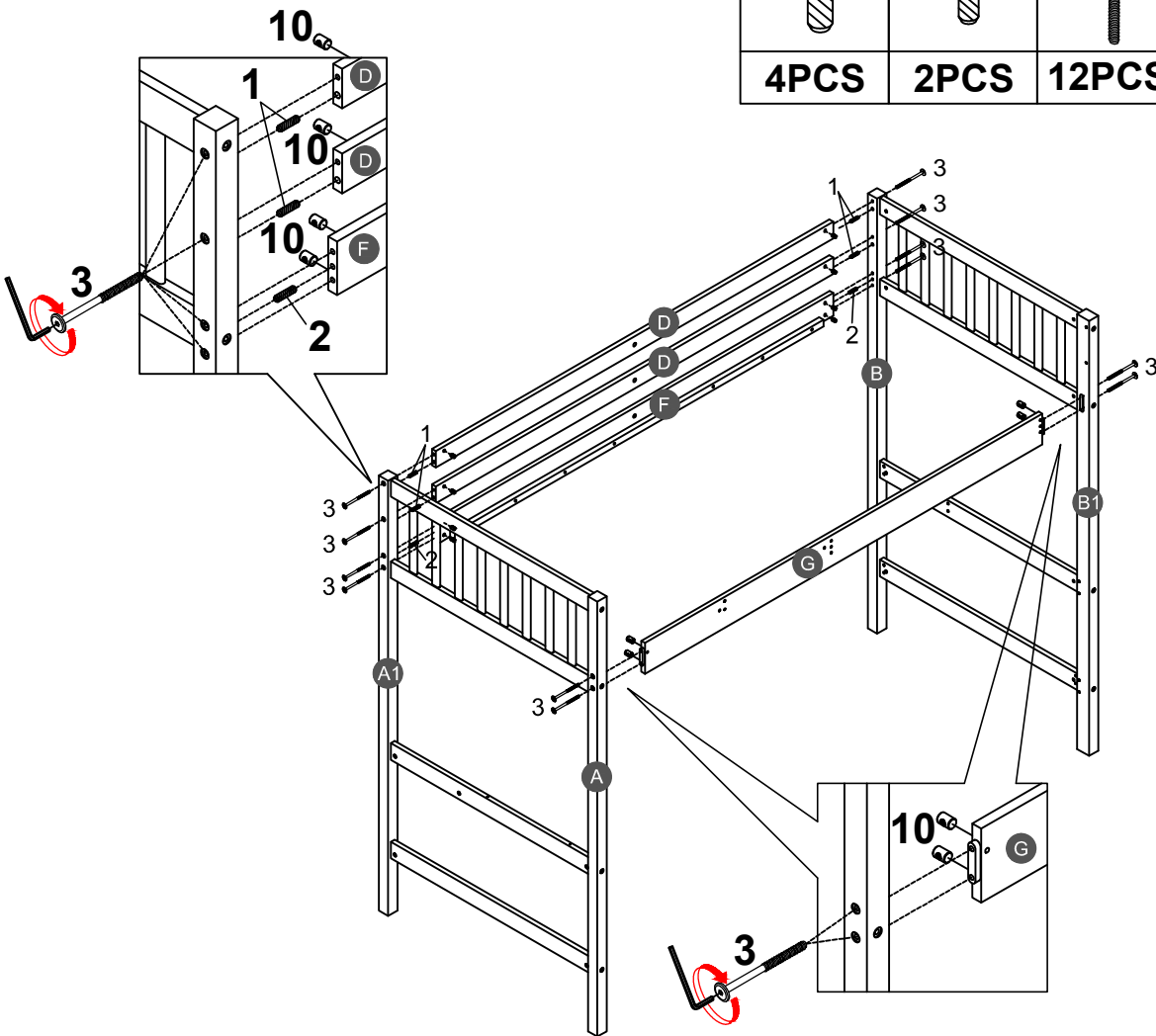
<b>3</b>		<b>4</b>		<b>10</b>	
<b>4PCS</b>		<b>4PCS</b>		<b>8PCS</b>	






Note: Part 10 will face up with the "x" mark on it, otherwise it cannot be tightened

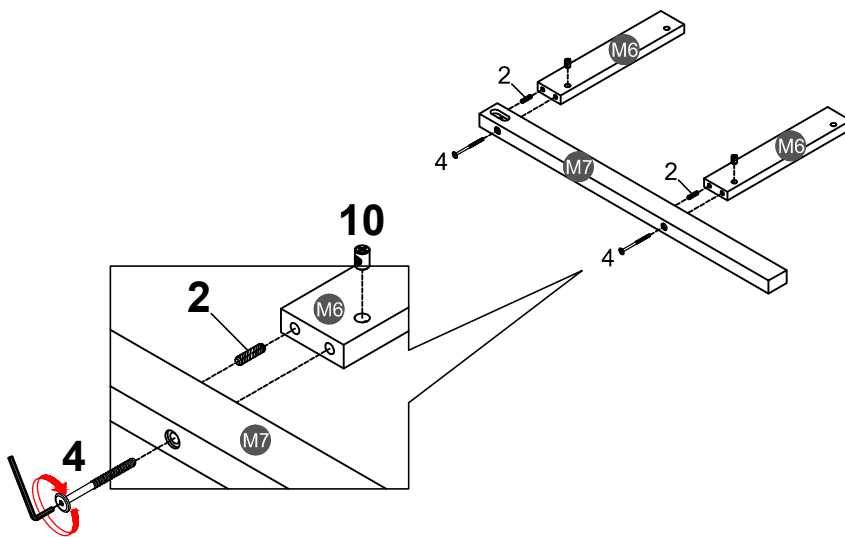
**STEP 3:**

<b>1</b>		<b>2</b>		<b>3</b>		<b>10</b>	
<b>4PCS</b>		<b>2PCS</b>		<b>12PCS</b>		<b>12PCS</b>	



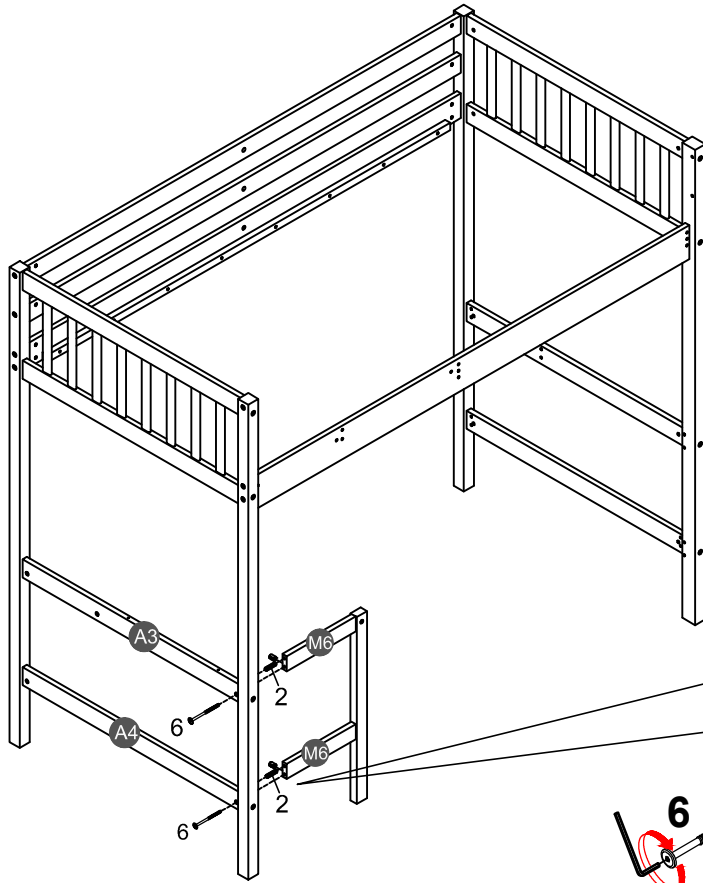
**STEP 4:**

<b>2</b>		<b>4</b>	
<b>2PCS</b>		<b>2PCS</b>	
<b>10</b>		<b>2PCS</b>	

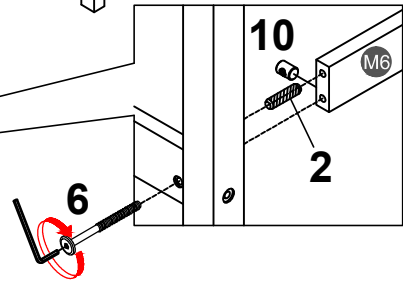




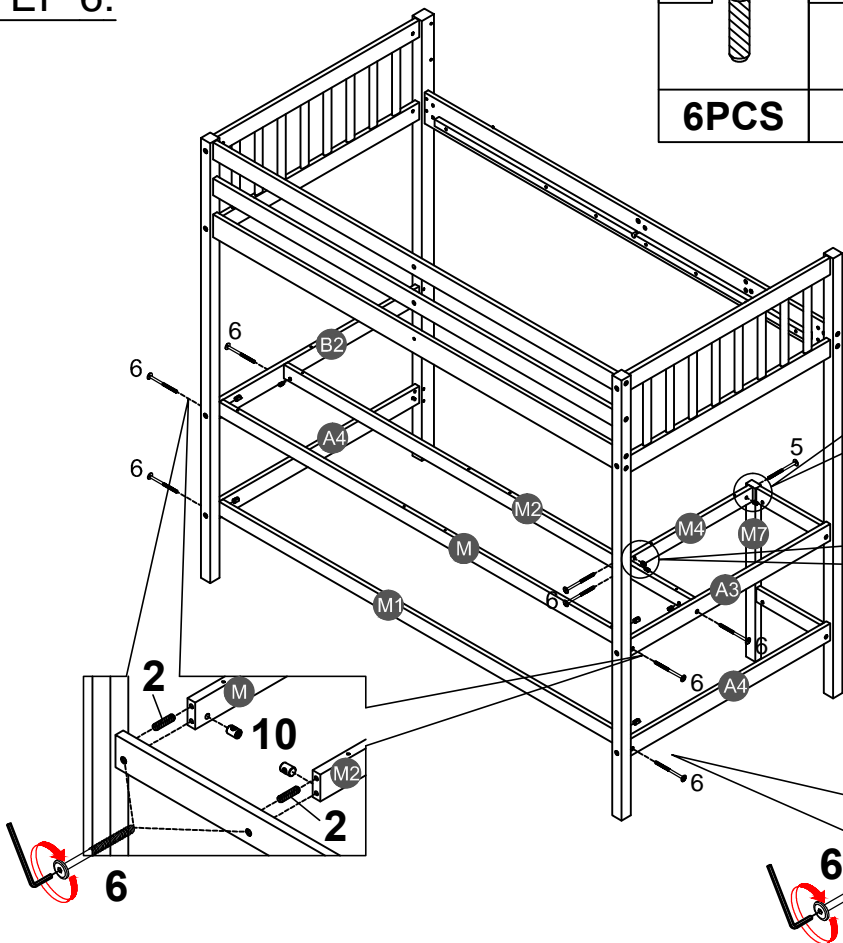
**STEP 5:**



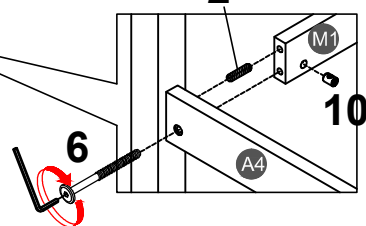
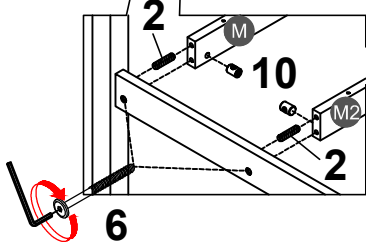
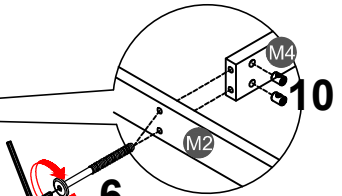
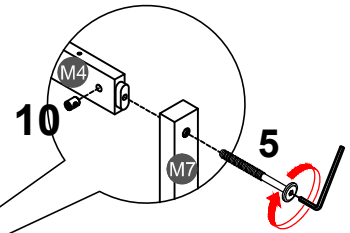
2		6	
2PCS		2PCS	
		10	
		2PCS	





**STEP 6:**

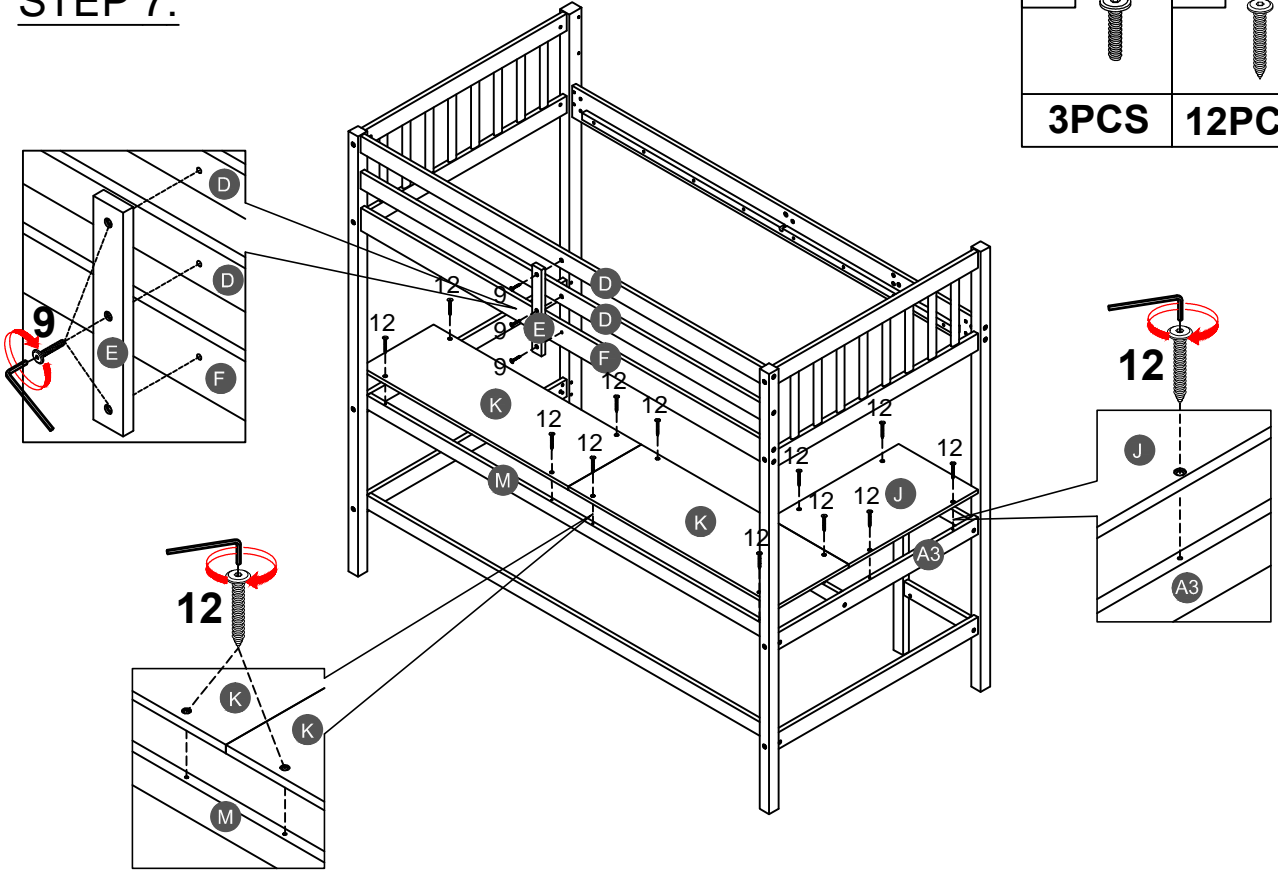


2		5		6		10	
6PCS		1PC	8PCS		9PCS		





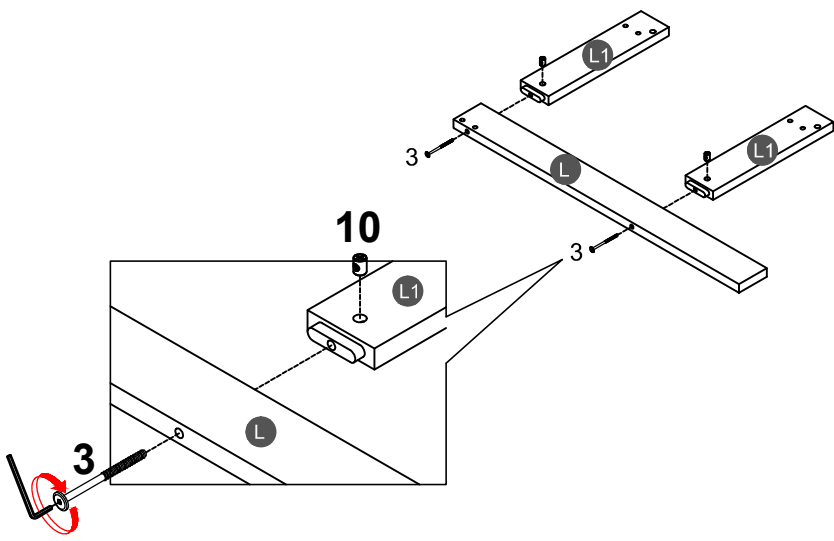
**STEP 7:**

<b>9</b>		<b>12</b>	
<b>3PCS</b>		<b>12PCS</b>	

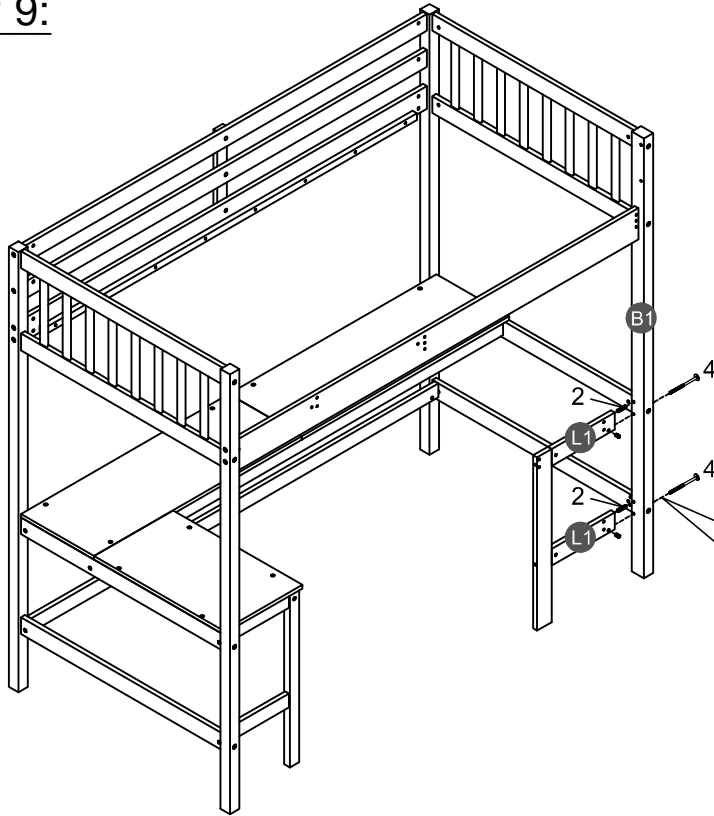


**STEP 8:**

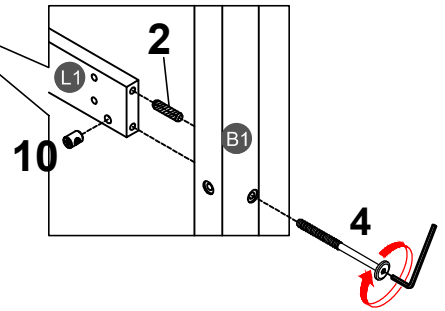
<b>3</b>	
<b>2PCS</b>	
<b>10</b>	
<b>2PCS</b>	



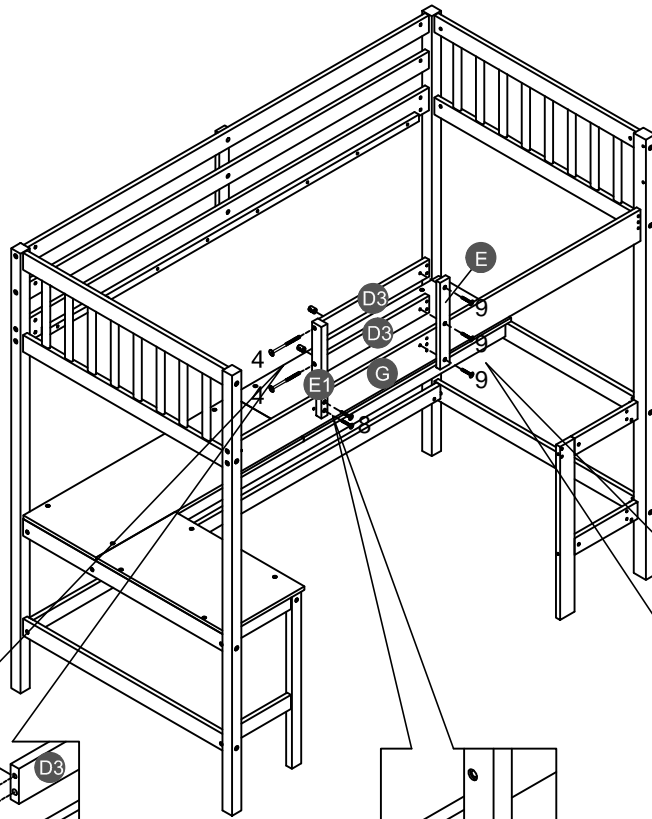
**STEP 9:**



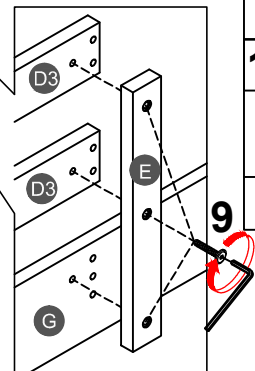
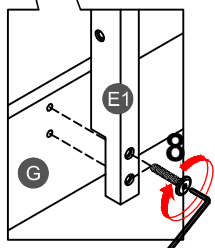
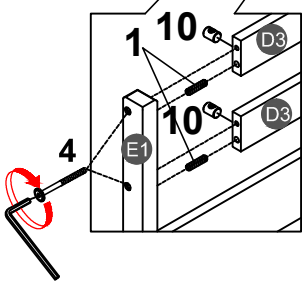
<b>2</b>		<b>4</b>	
<b>2PCS</b>		<b>2PCS</b>	
		<b>10</b>	
		<b>2PCS</b>	






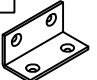
**STEP 10:**

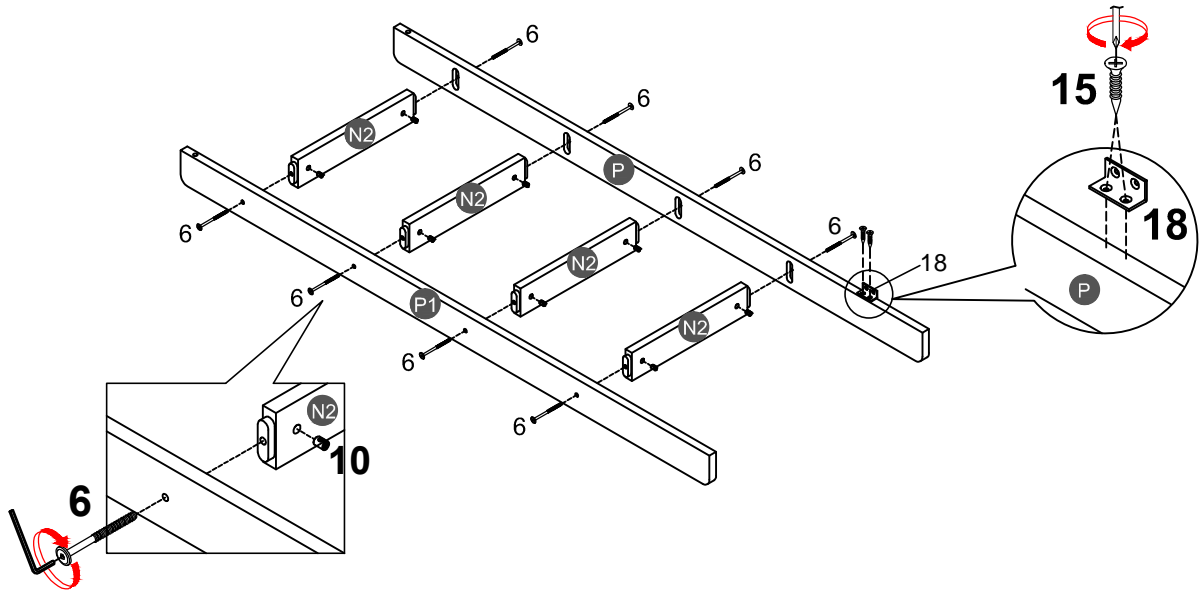


<b>1</b>		<b>4</b>	
<b>2PCS</b>		<b>2PCS</b>	
		<b>8</b>	
		<b>2PCS</b>	
		<b>9</b>	
		<b>3PCS</b>	
		<b>10</b>	
		<b>2PCS</b>	





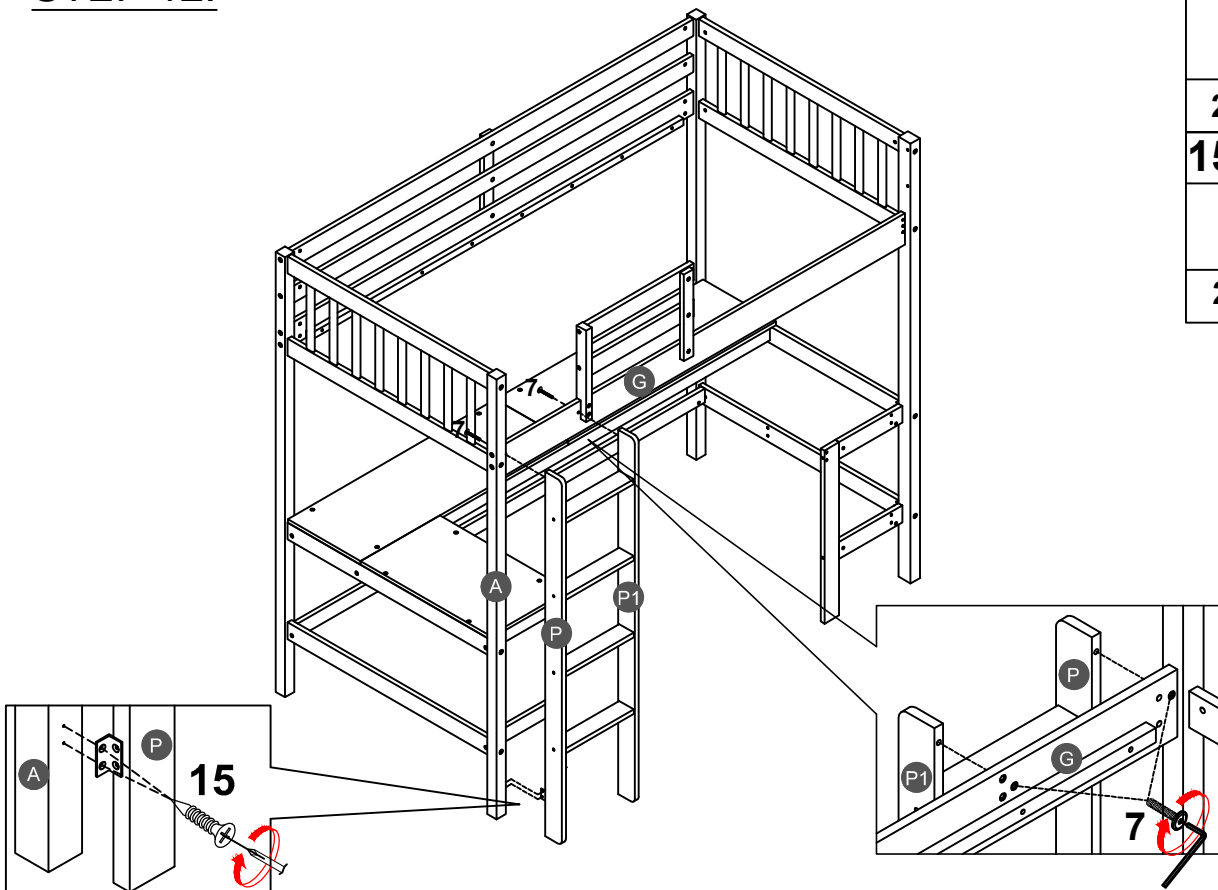
# STEP 11:

<b>6</b>		<b>10</b>		<b>15</b>		<b>18</b>	
<b>8PCS</b>		<b>8PCS</b>		<b>2PCS</b>		<b>1PC</b>	

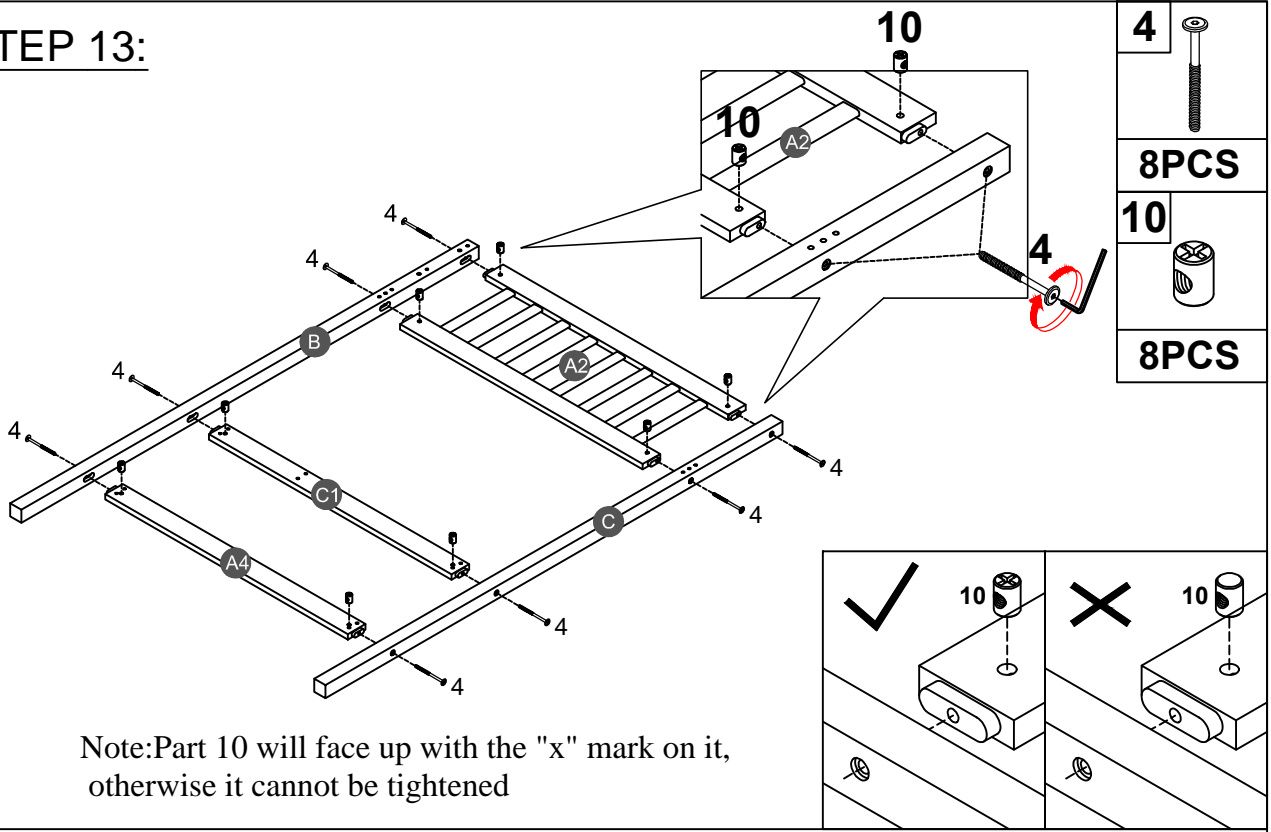


# STEP 12:

<b>7</b>	
<b>2PCS</b>	
<b>15</b>	
<b>2PCS</b>	

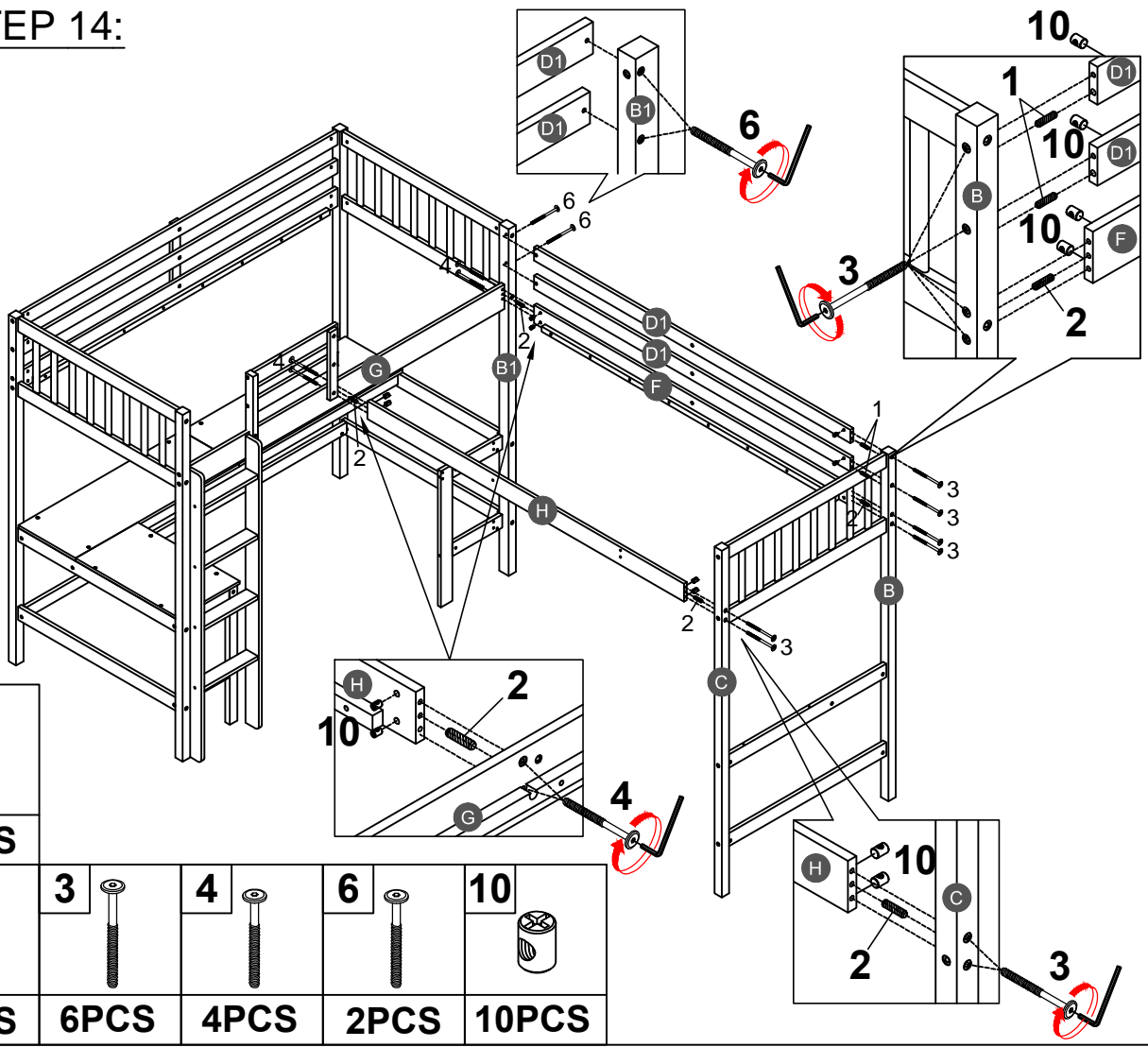


# STEP 13:



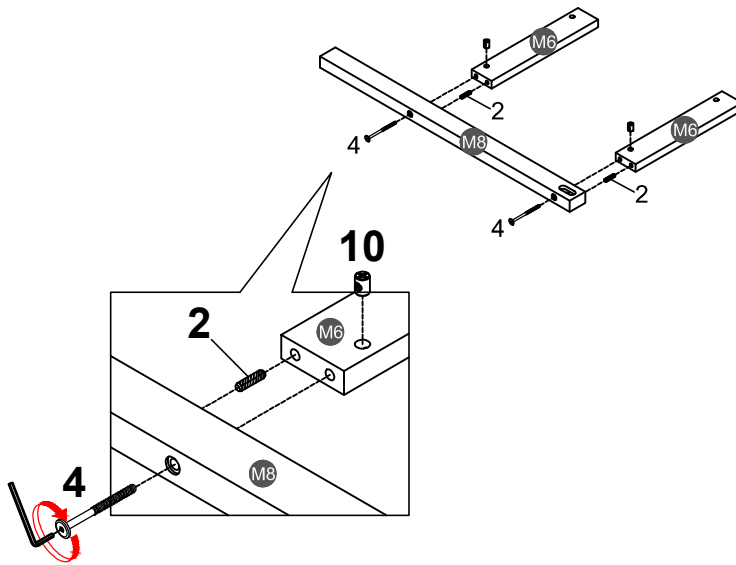
Note: Part 10 will face up with the "x" mark on it, otherwise it cannot be tightened

# STEP 14:



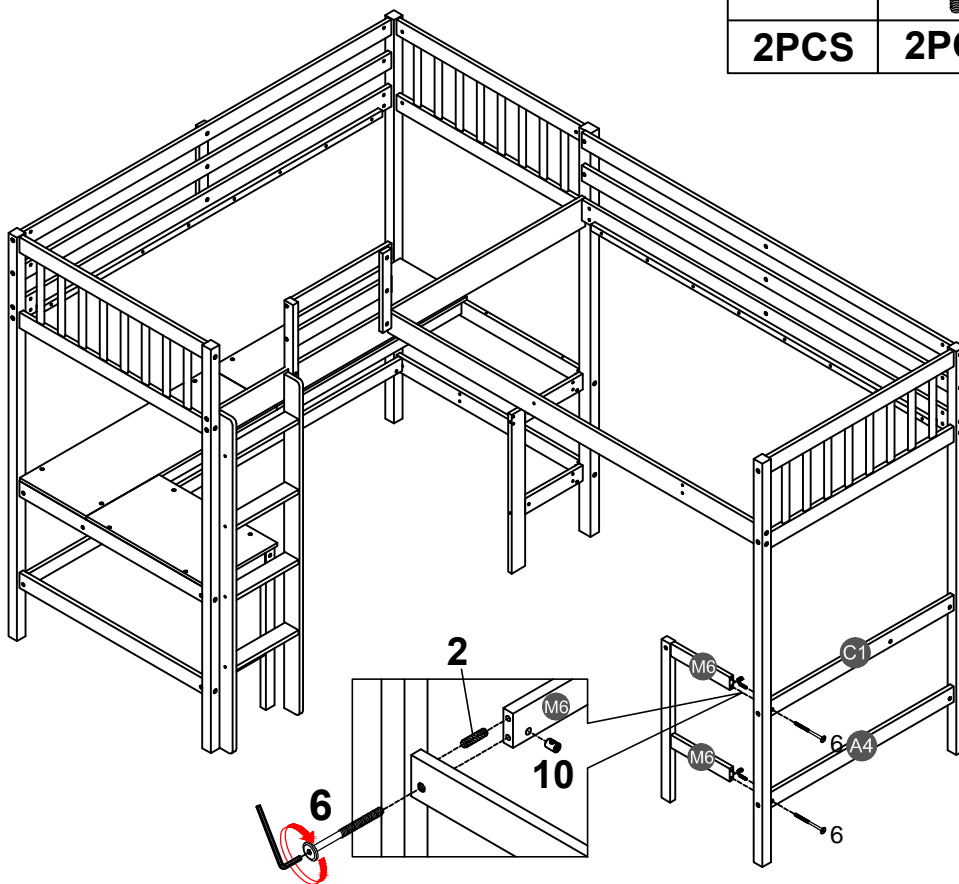
Note: Part 10 will face up with the "x" mark on it, otherwise it cannot be tightened

# STEP 15:



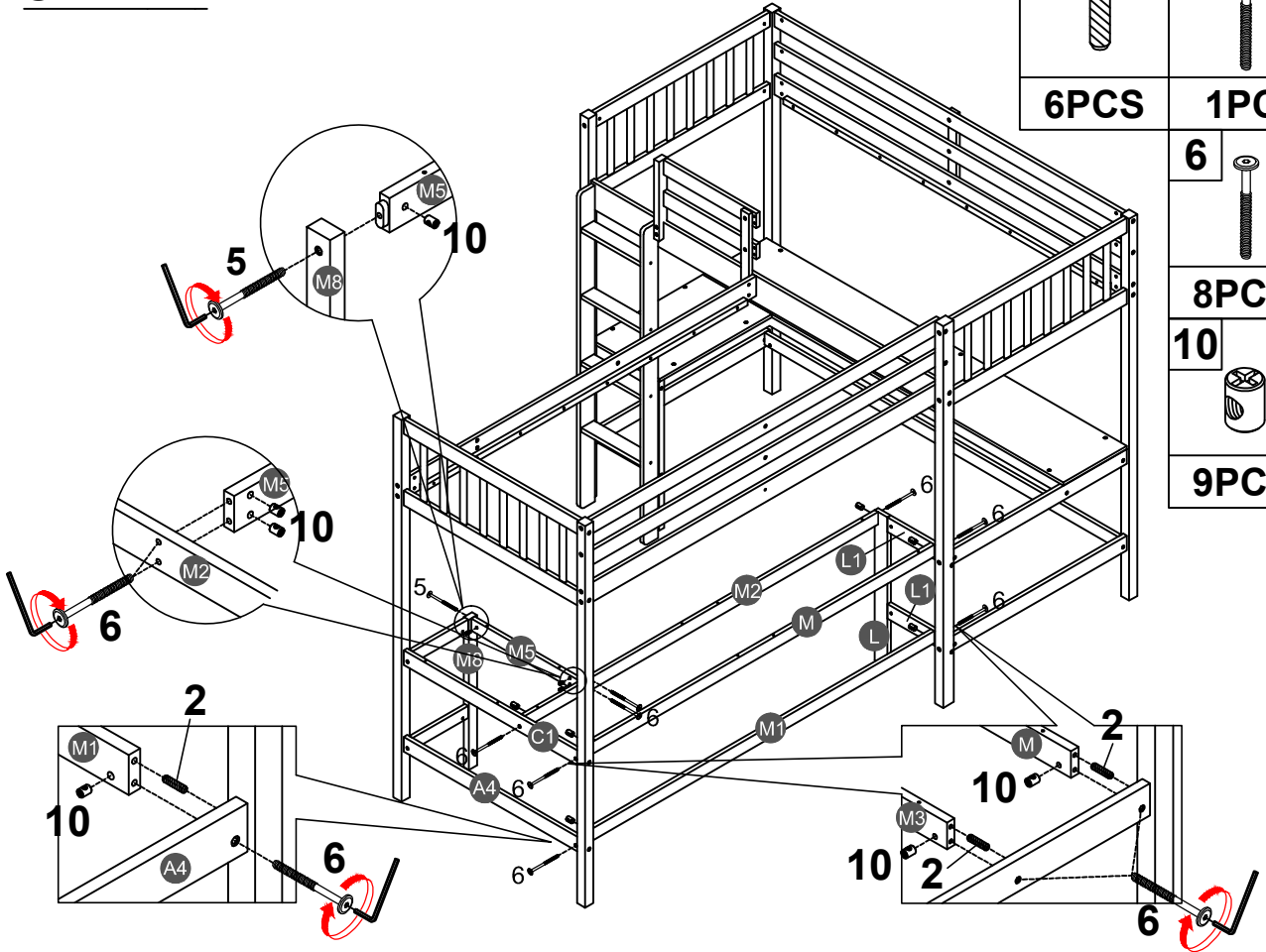
2		4	
2PCS		2PCS	
		10	
		2PCS	

# STEP 16:



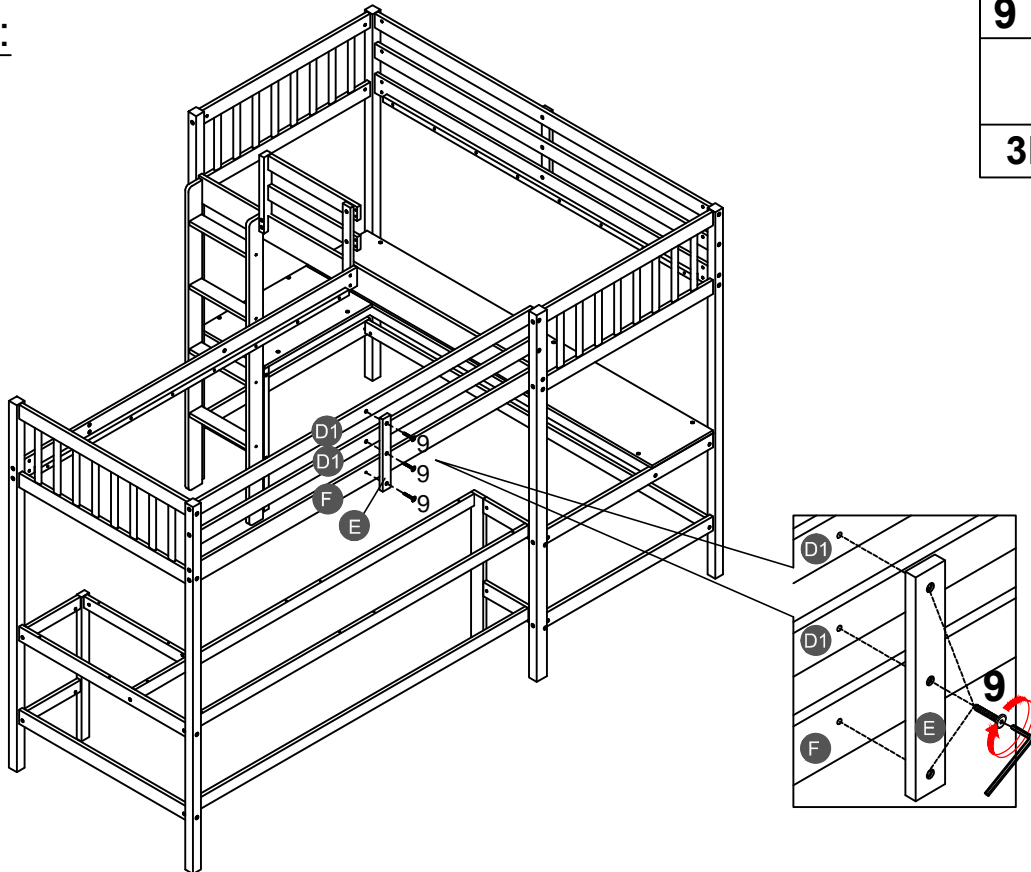
2		6		10	
2PCS		2PCS		2PCS	

**STEP 17:**



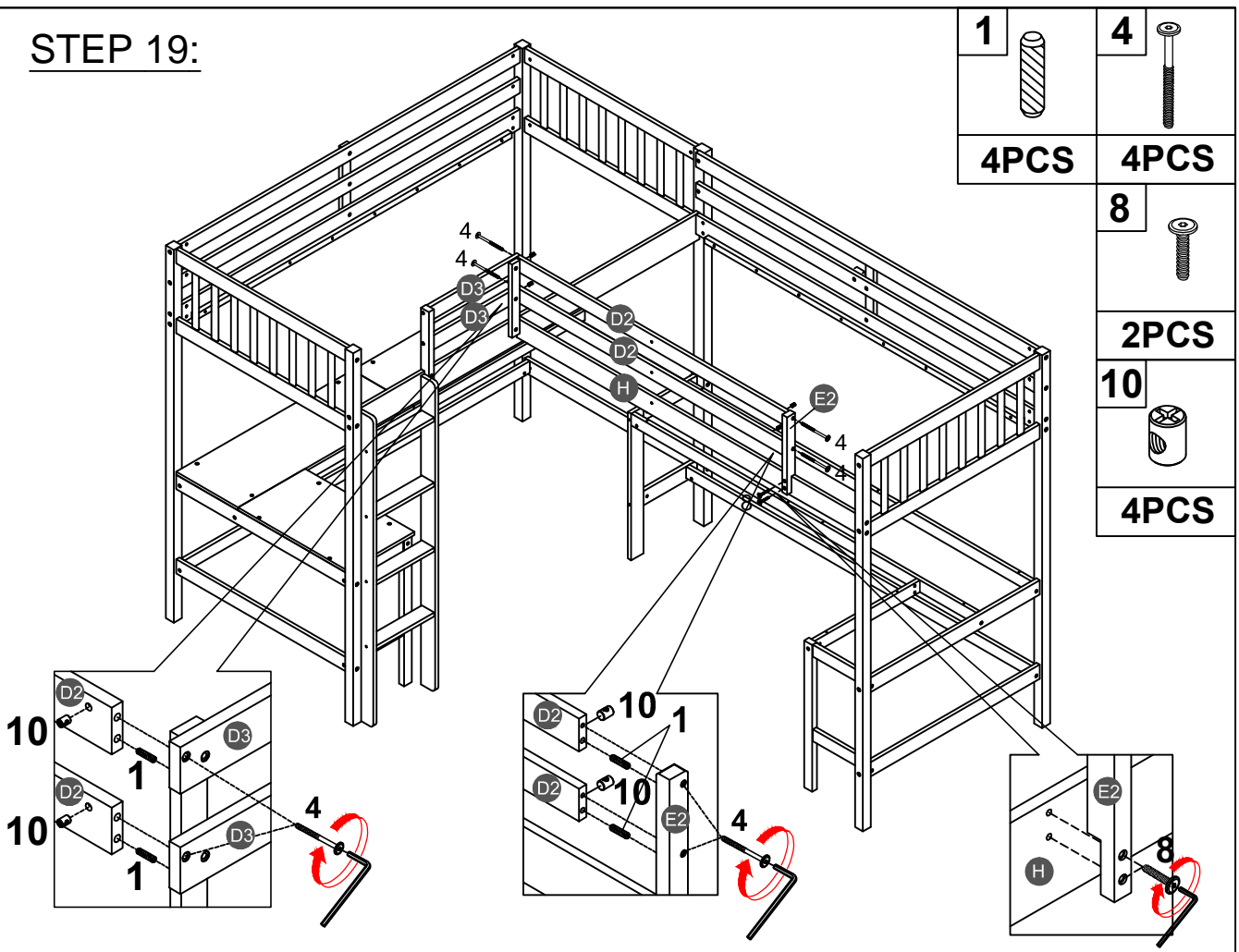
2		5	
6PCS		1PC	
6		8PCS	
10		9PCS	

**STEP 18:**



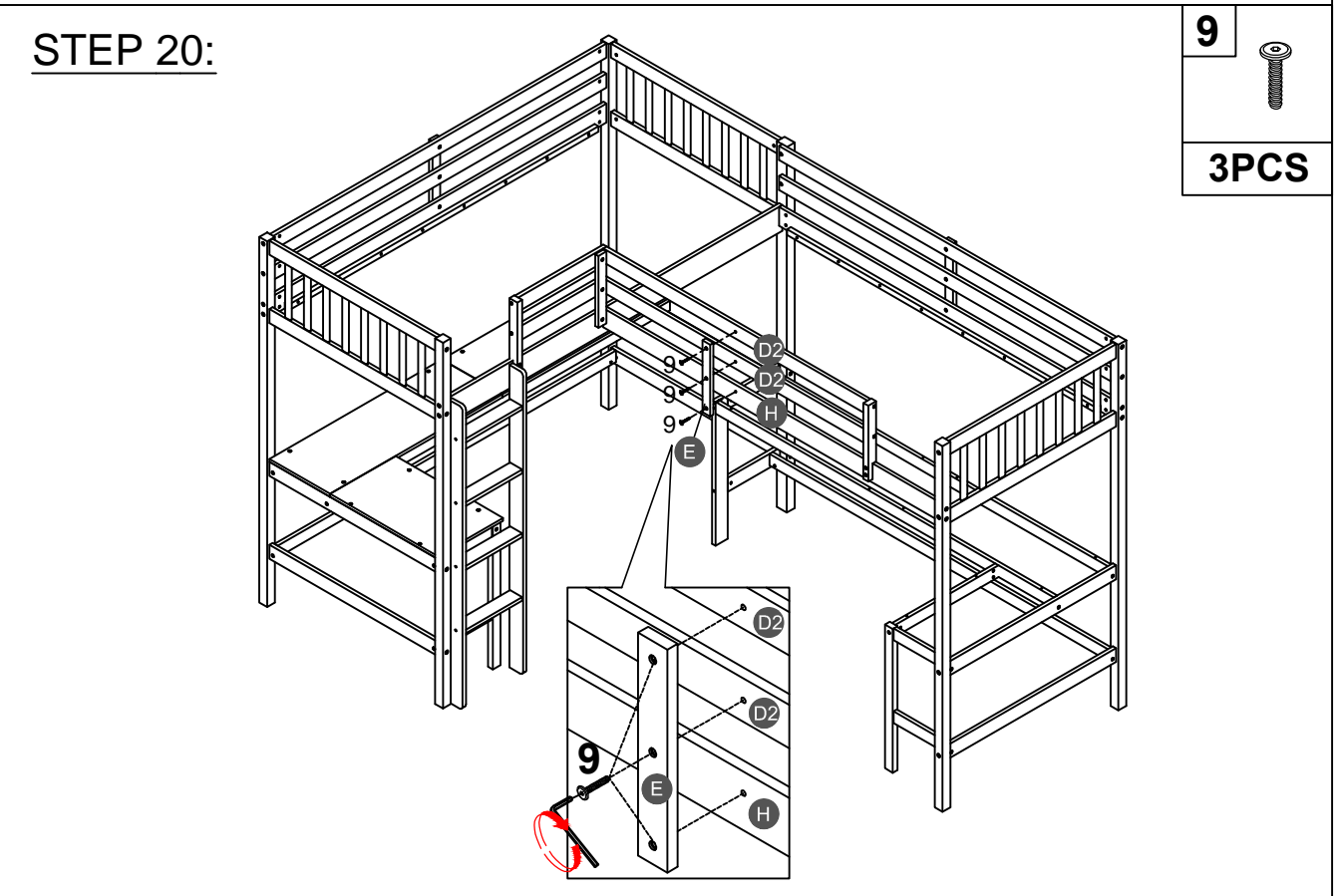
9	
3PCS	

# STEP 19:



<b>1</b>		<b>4</b>	
<b>4PCS</b>		<b>4PCS</b>	
		<b>8</b>	
		<b>2PCS</b>	
		<b>10</b>	
		<b>4PCS</b>	


# STEP 20:

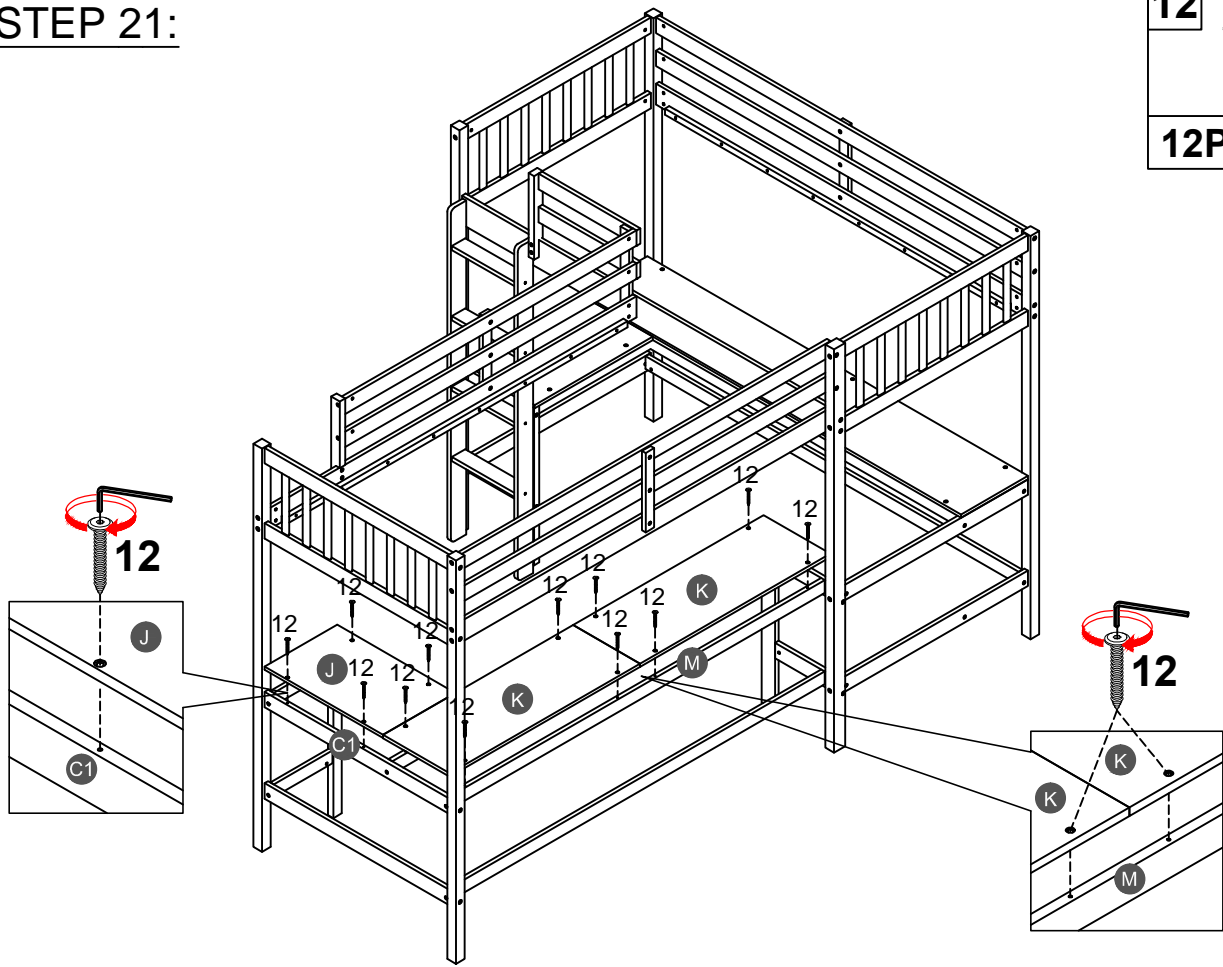


<b>9</b>	
<b>3PCS</b>	




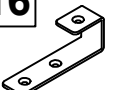


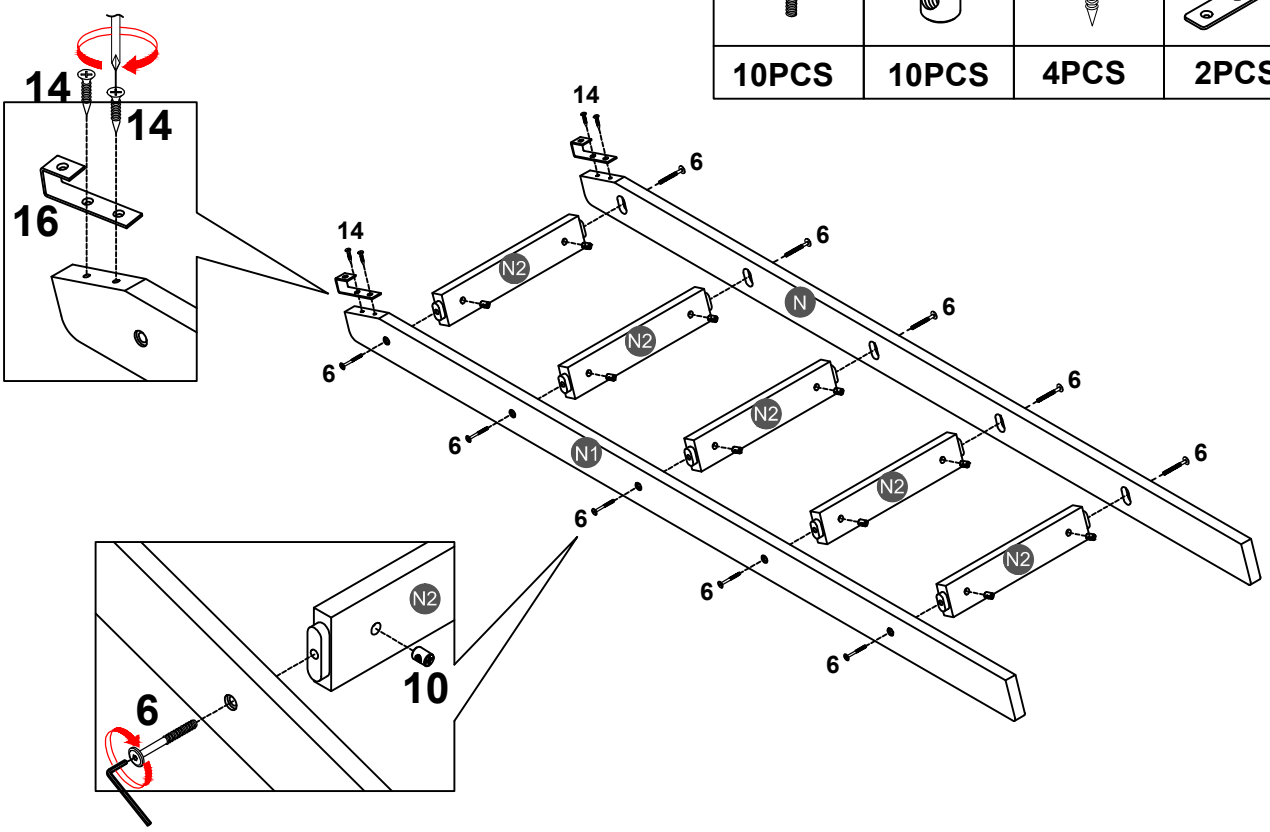
**STEP 21:**

<b>12</b>	
<b>12PCS</b>	

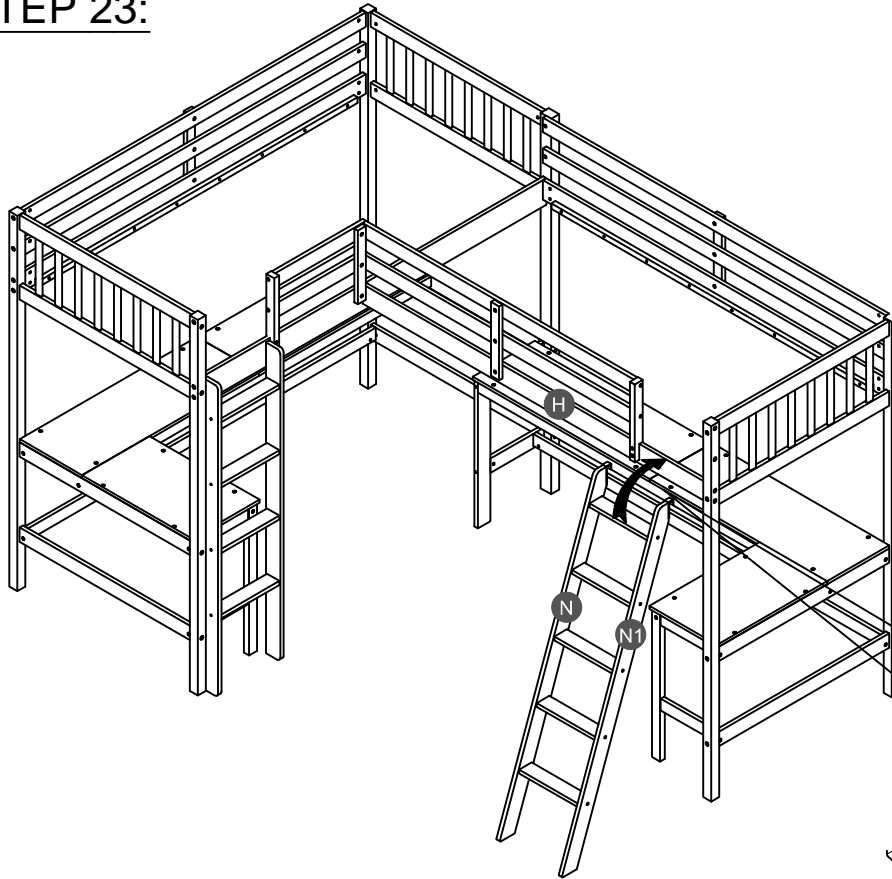



**STEP 22:**

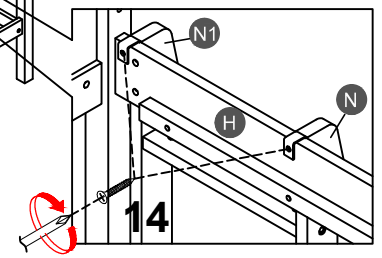
<b>6</b>		<b>10</b>		<b>14</b>		<b>16</b>	
<b>10PCS</b>		<b>10PCS</b>		<b>4PCS</b>		<b>2PCS</b>	



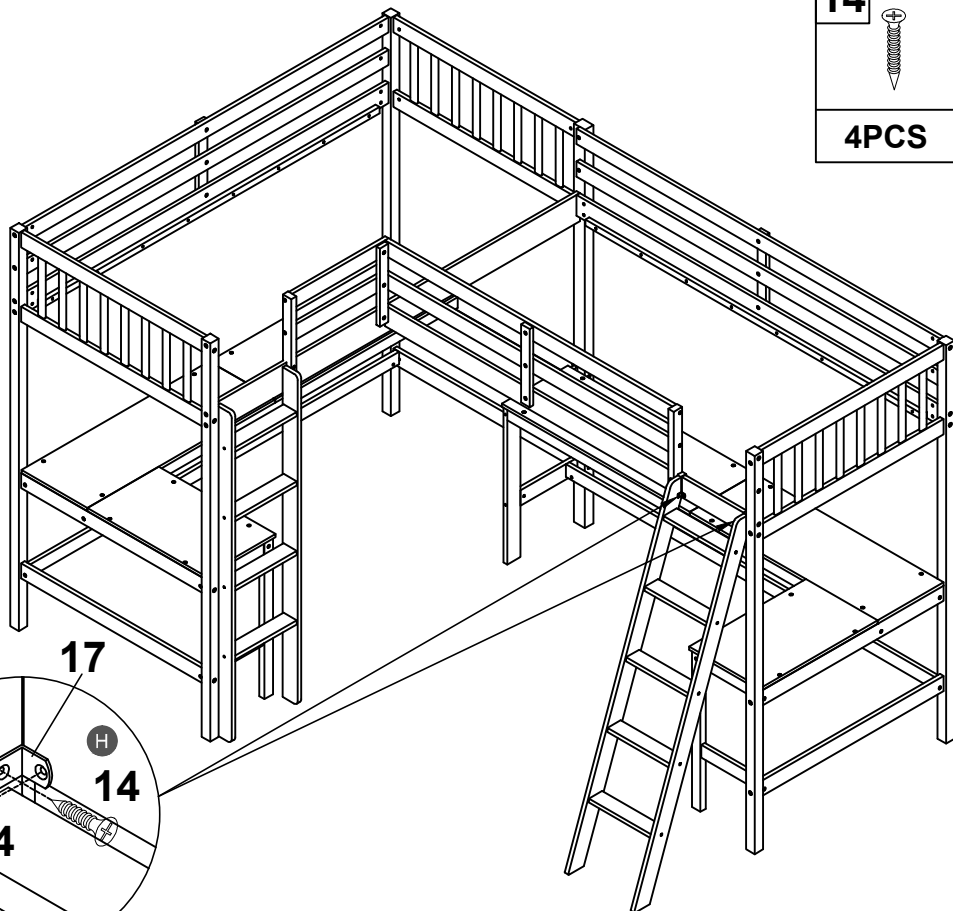
**STEP 23:**





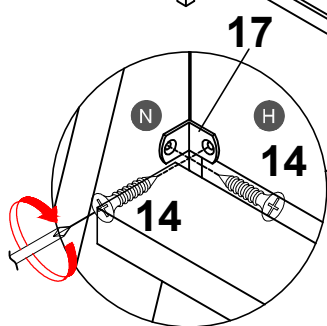
<b>14</b>	
<b>2PCS</b>	



**STEP 24:**



<b>14</b>		<b>17</b>	
<b>4PCS</b>		<b>2PCS</b>	

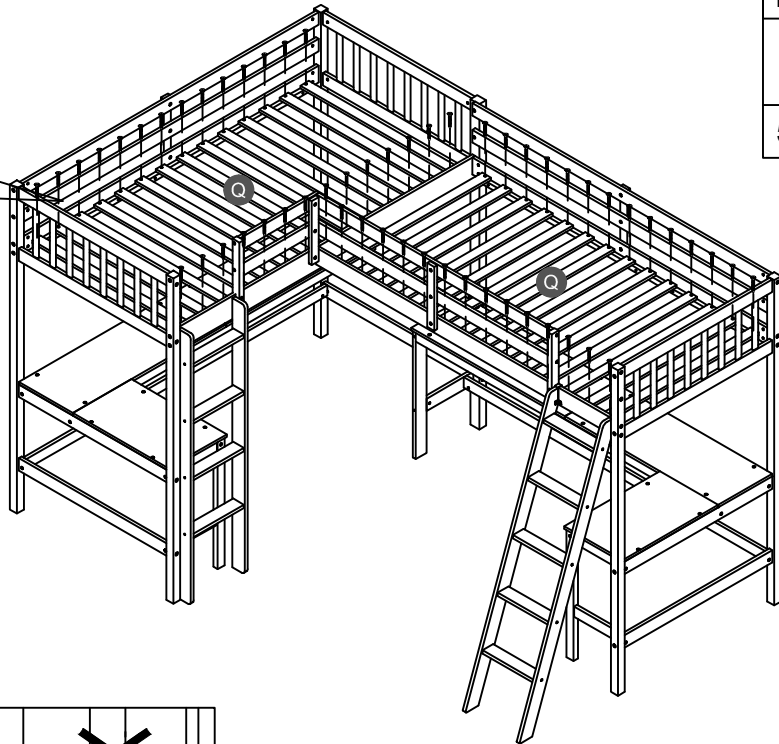
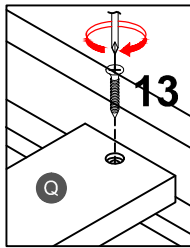


## STEP 25:

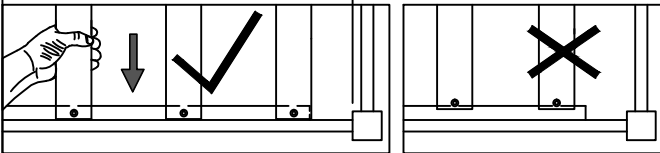
13



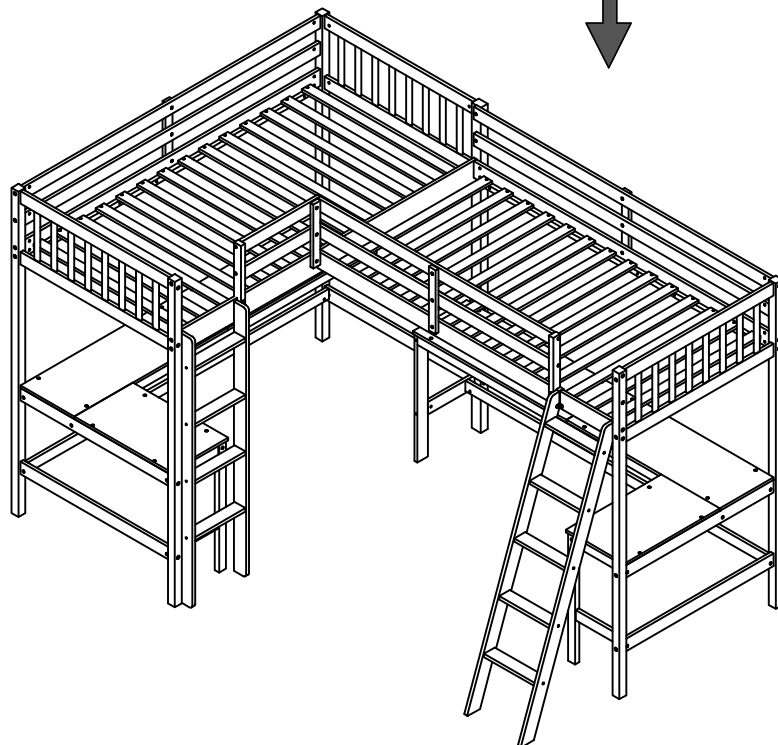
56PCS



3.1 " 79mm    3.3 " 84.5mm    2.4 " 61mm



Note: Do not lock the screws of the bed slats to the outermost edge of the bed slats, you need to leave a certain space at the edges, otherwise it will cause the board to break. Do not lock the bed slats on the edge of the wood, please hold firmly before screwing, hold it in place with one hand, then lock the screw.



**Make sure to tighten all the screws of the bed.**