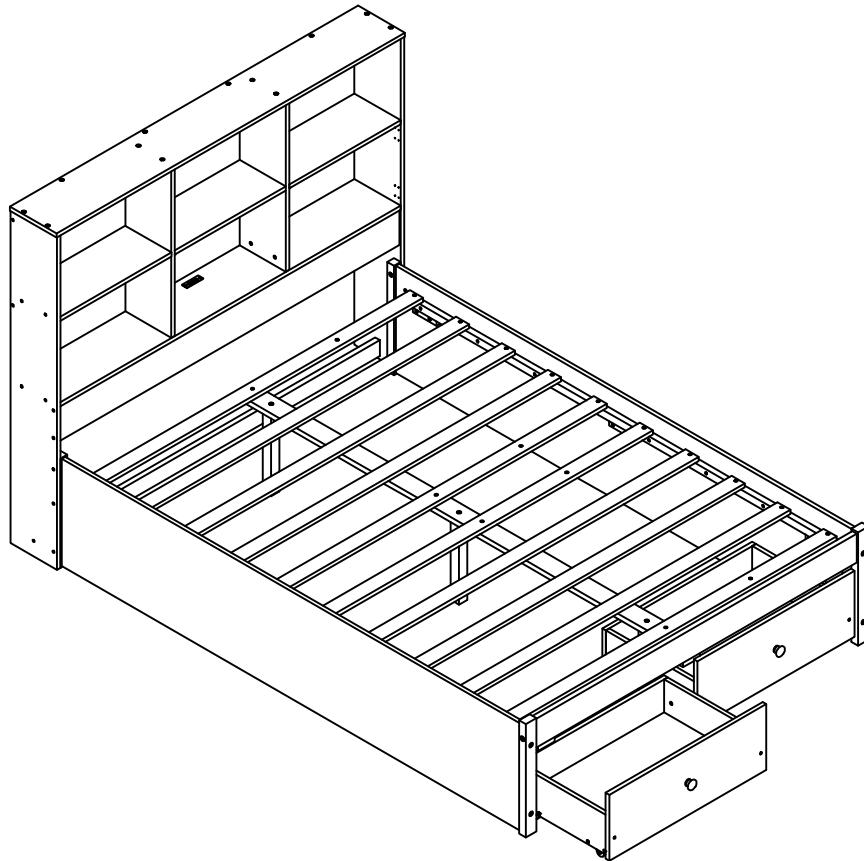


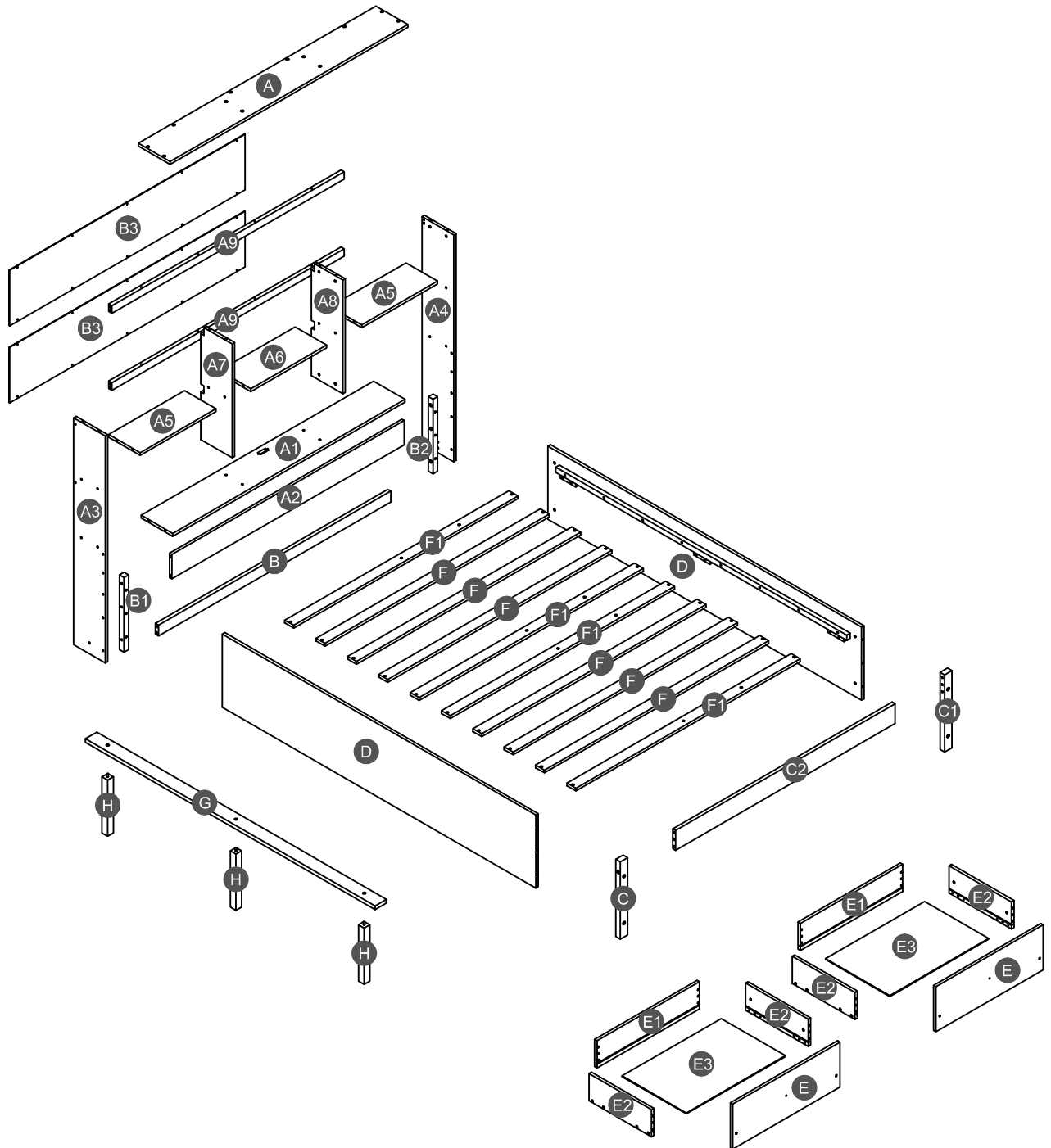
ASSEMBLY INSTRUCTIONS

FULL BED WITH 2 DRAWERS BOOKCASE HEADBOARD



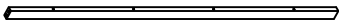
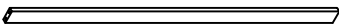


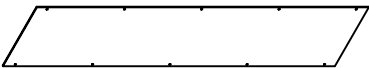
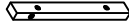
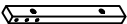
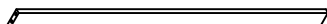

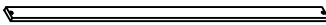


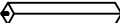
WF310890/WF310891

Detail View




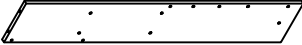
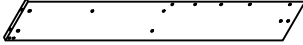

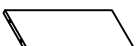


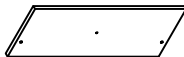
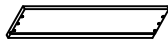
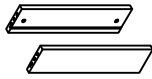
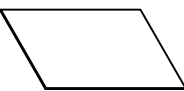


Part List

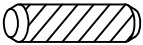

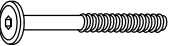
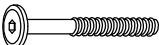












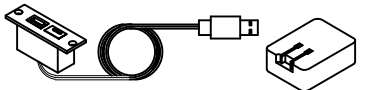
WF310890

A9  Upper horizontal HB (back) - 2pcs	B  Lower horizontal HB - 1pc	B1  Support HB (left) - 1pc
B2  Support HB (right) - 1pc	B3  Back panel - 2pcs	C  Leg FB (left) - 1pc
C1  Leg FB (right) - 1pc	C2  Horizontal FB - 1pc	D  Side rail - 2pcs
F  Slats - 6pcs	F1  Slats - 4pcs	G  Lower support slat - 1pc
H  Leg support - 3pcs		

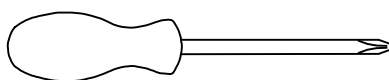
WF310891 + Hardware inside

A  Top panel HB - 1pc	A1  Shelf panel HB - 1pc	A2  Horizontal bar HB - 1pc
A3  Side panel (left) - 1pc	A4  Side panel (right) - 1pc	A5  Shelf panel HB - 2pcs
A6  Divider shelf panel HB - 1pc	A7  Divider panel (left) - 1pc	A8  Divider panel (right) - 1pc
E  Front drawer panel - 2pcs	E1  Back drawer panel - 2pcs	E2  Left / right drawer panel - 4pcs
E3  Drawer bottom - 2pcs		

Hardware List WF310891

1  Ø8*30mm Wood dowel (38pcs)	2  (Ø15)1/4"*80mm Hex-Head bolts (2pcs)	3  (Ø12)1/4"*70mm Hex-Head bolts (8pcs)
4  (Ø12)1/4"*60mm Hex-Head bolts (38pcs)	5  (Ø12)1/4"*40mm Hex-Head bolts (6pcs)	6  1/4"*15 (9.5mm) Horizontal-Hole bolts(48pcs)
7  (1/4")4.5*58mm Allen key (1pc)	8  100*54*20 mm Wheels (8pcs)	9  Ø38*31mm Pine Knob (2pcs)
10  3/16"*25mm Ph zinc(Knob) (2pcs)	11  Ø3.5*15mm Wood screws (2pcs)	12  (Ø12)1/4"*40mm Wood screw bolts (4pcs)
13  Ø4*30mm Wood screws (46pcs)	14  Ø3.5*15mm Wood screws (20pcs)	15  Ø10*20mm Wood dowel (8pcs)
16  70*50*19 mm Drawer stopper (3pcs)	17  1500*68*30*22mm USB port (1set)	

ASSEMBLY TOOLS REQUIRED (NOT INCLUDED)



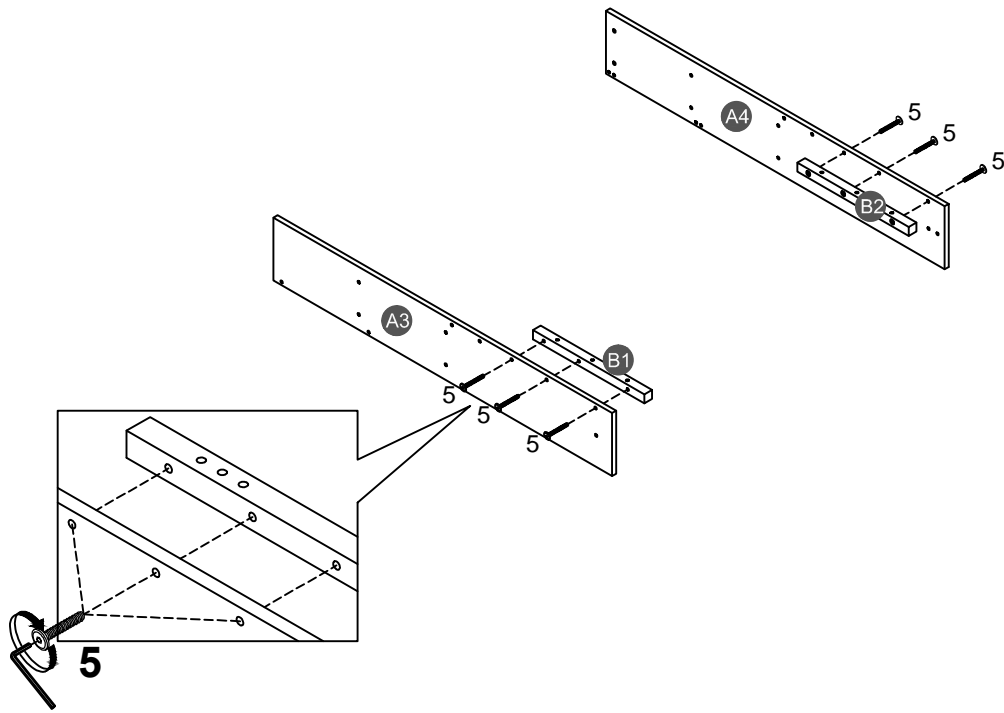
PLEASE BE CAREFUL DO NOT DAMAGE THE HOLE POSITION WHEN YOU USE POWER TOOLS !

STEP 1:

5



6PCS

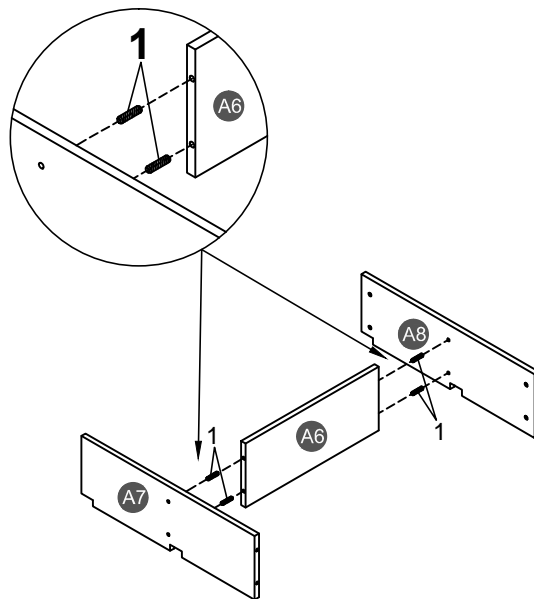


STEP 2:

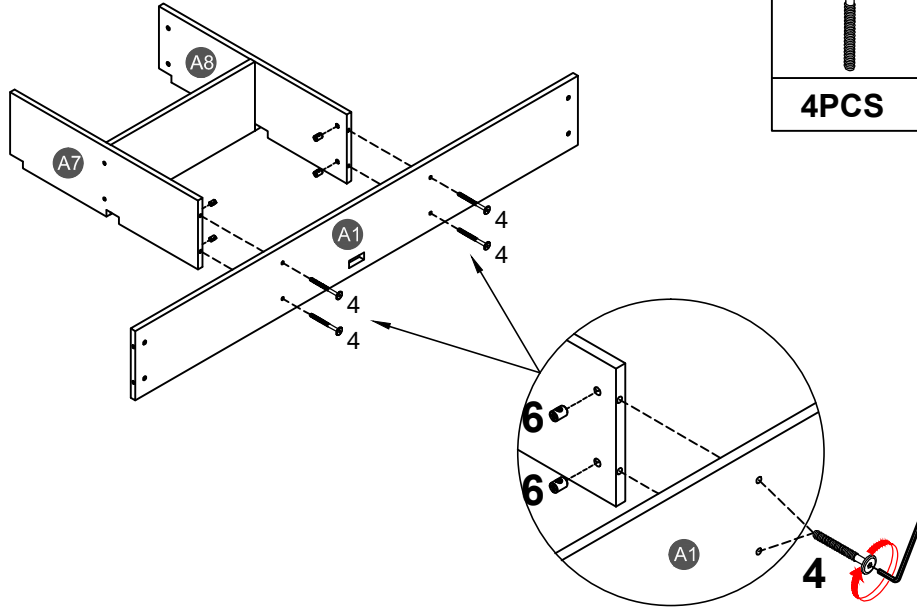
1



4PCS

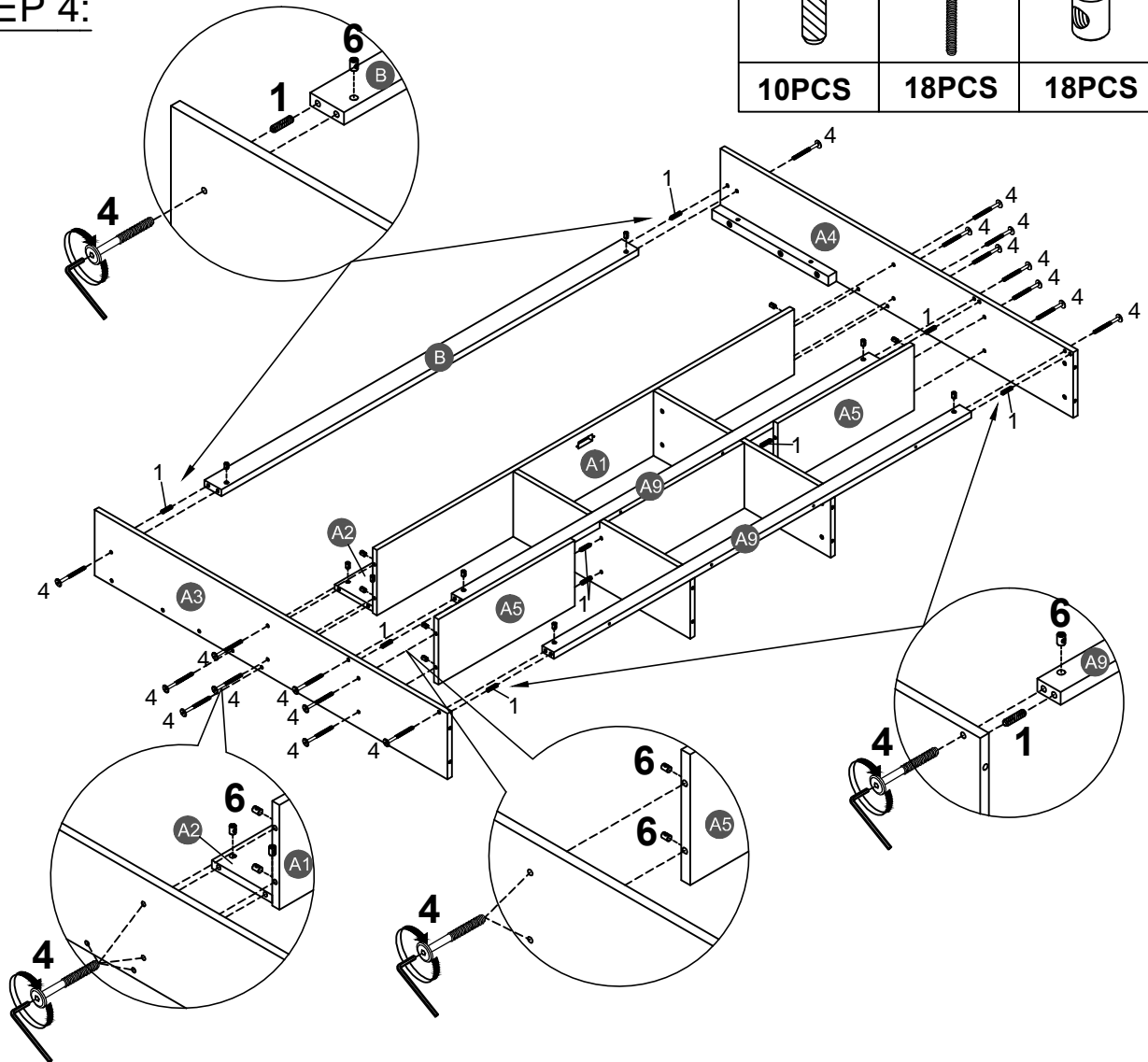


STEP 3:



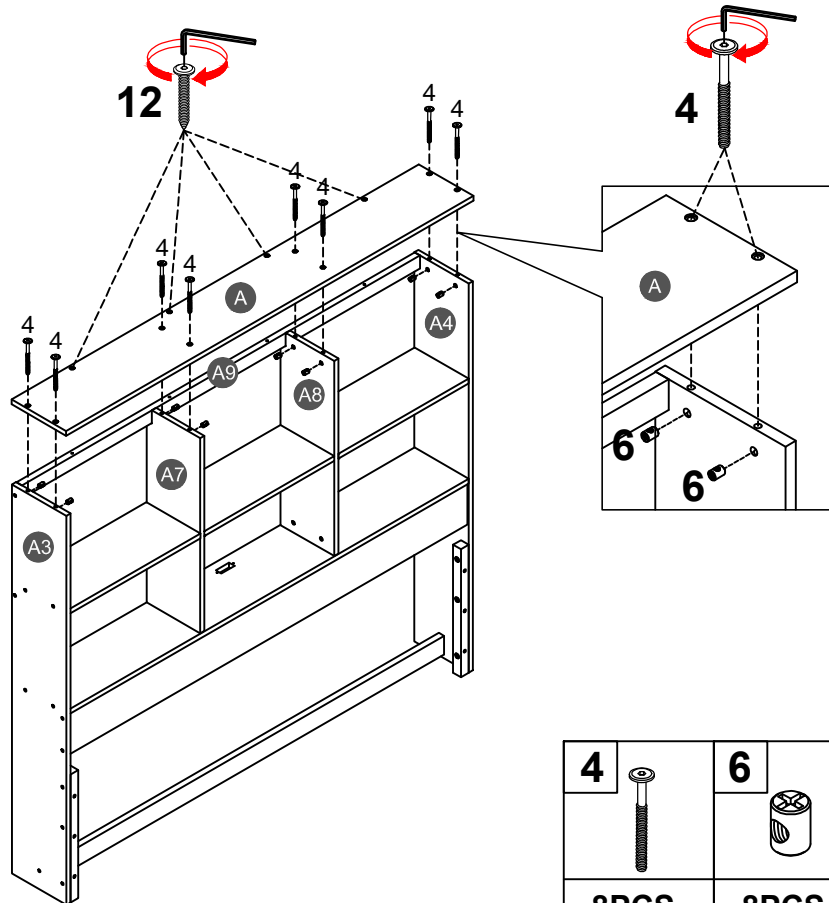
4		6	
4PCS		4PCS	





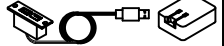
STEP 4:



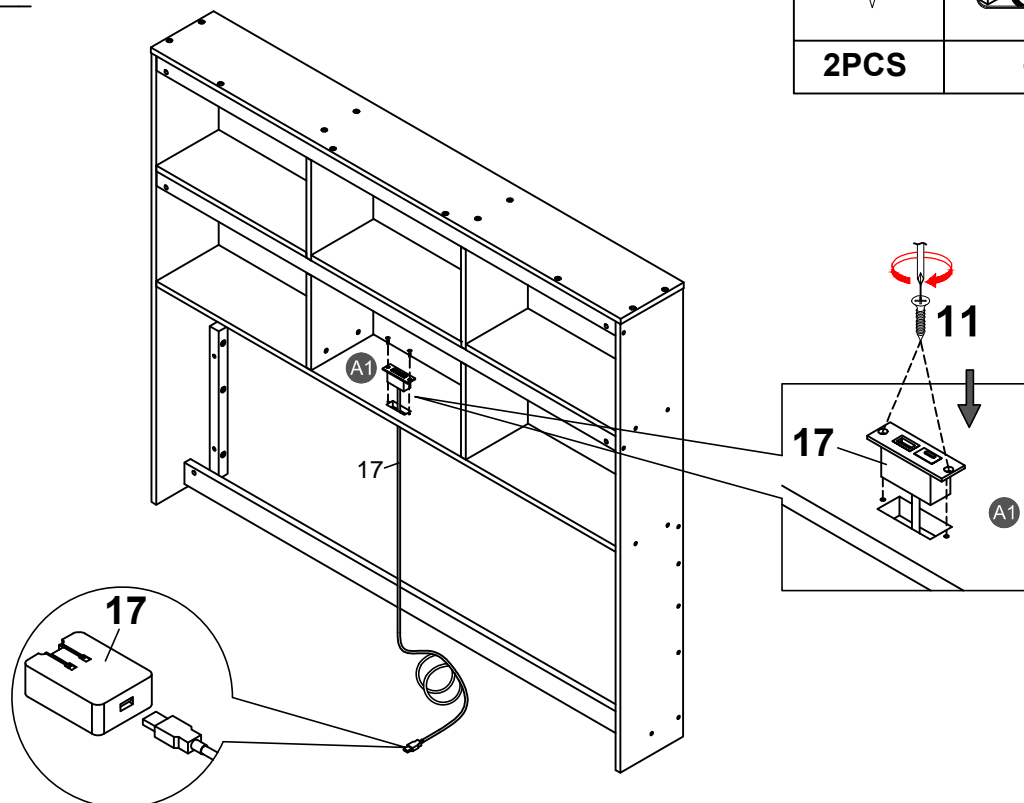
1		4		6	
10PCS		18PCS		18PCS	

STEP 5:




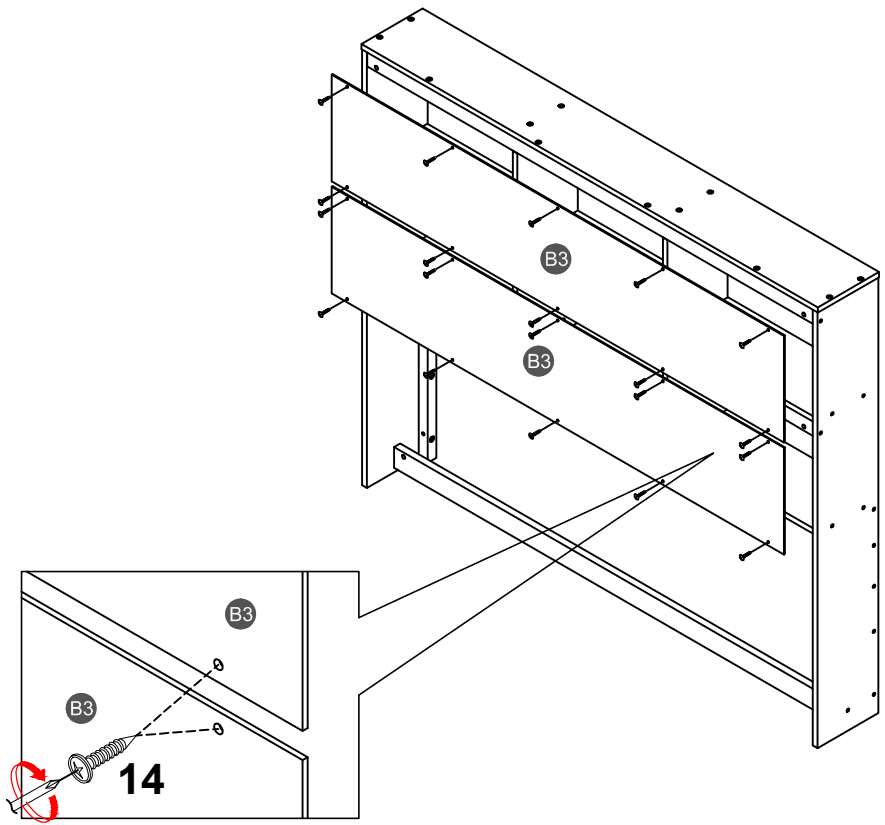
<p>4</p> 	<p>6</p> 	<p>12</p> 
<p>8PCS</p>	<p>8PCS</p>	<p>4PCS</p>
<p>11</p> 	<p>17</p> 	
<p>2PCS</p>	<p>1SET</p>	

STEP 6:





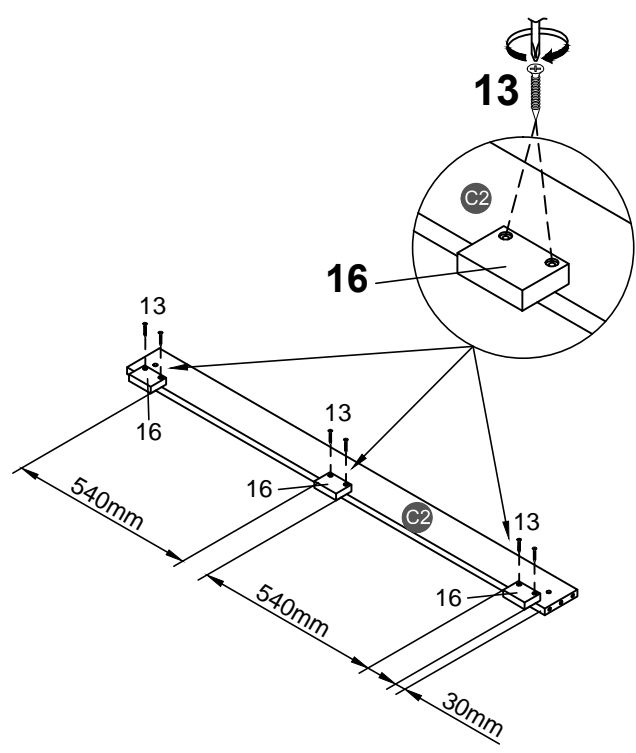
STEP 7:

14	
20PCS	

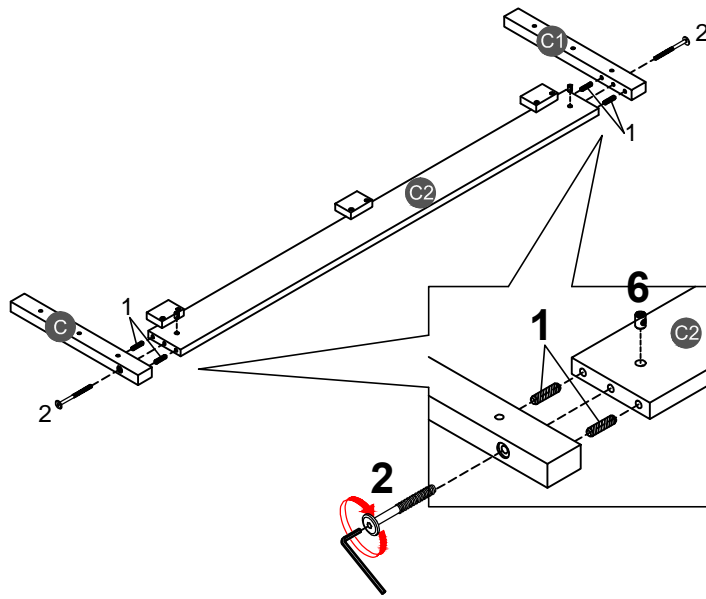





STEP 8:

13		16	
6PCS		3PCS	

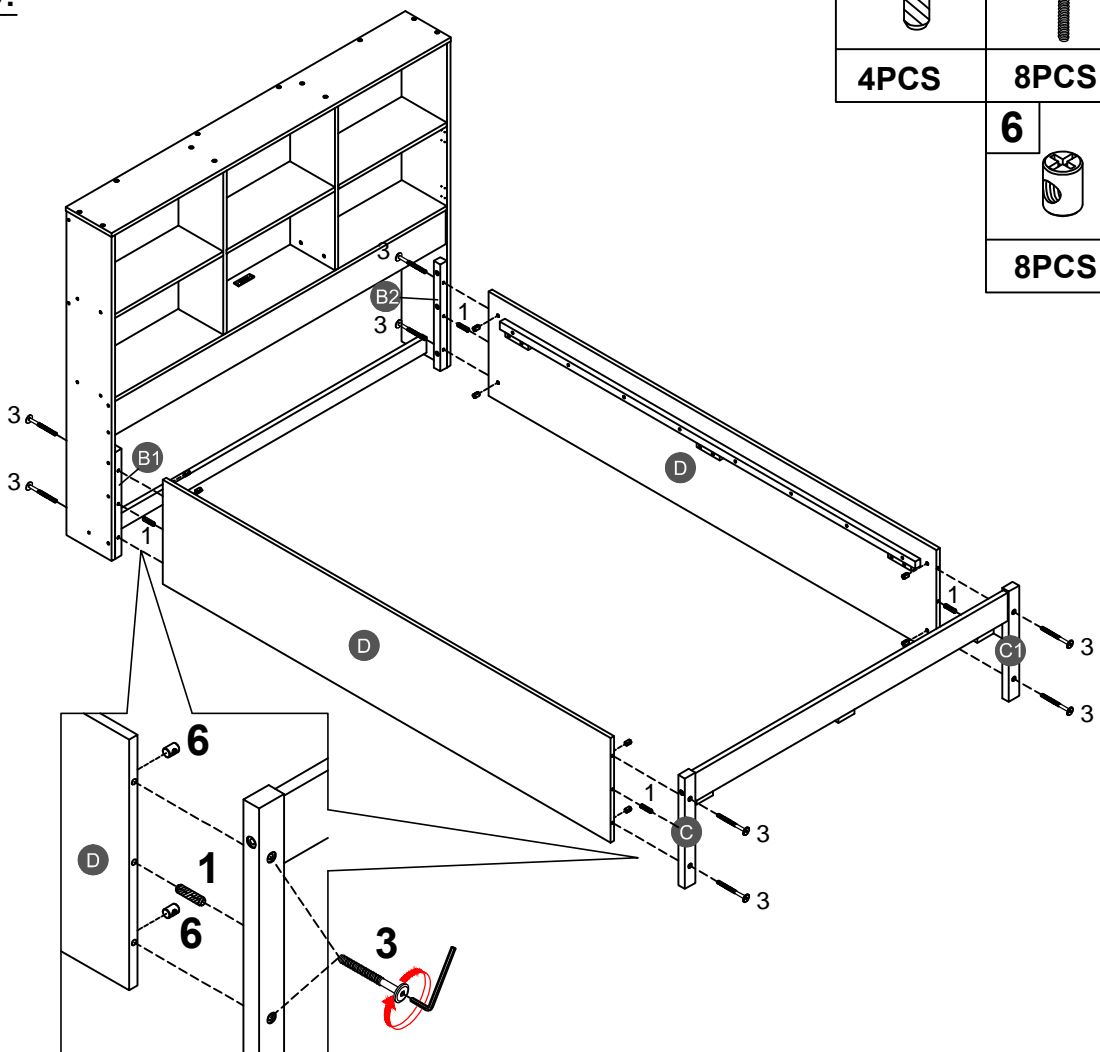





STEP 9:



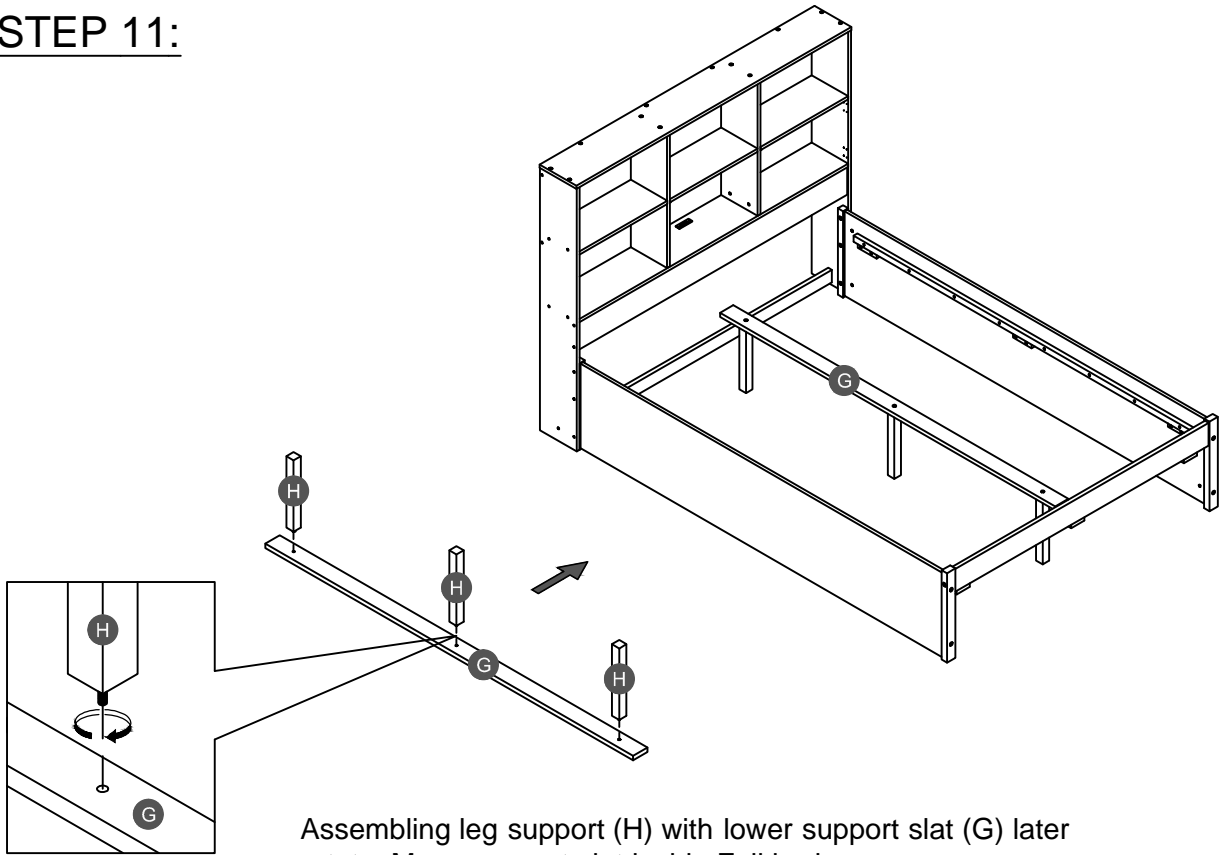
1		2	
4PCS		2PCS	
		6	
		2PCS	

STEP 10:



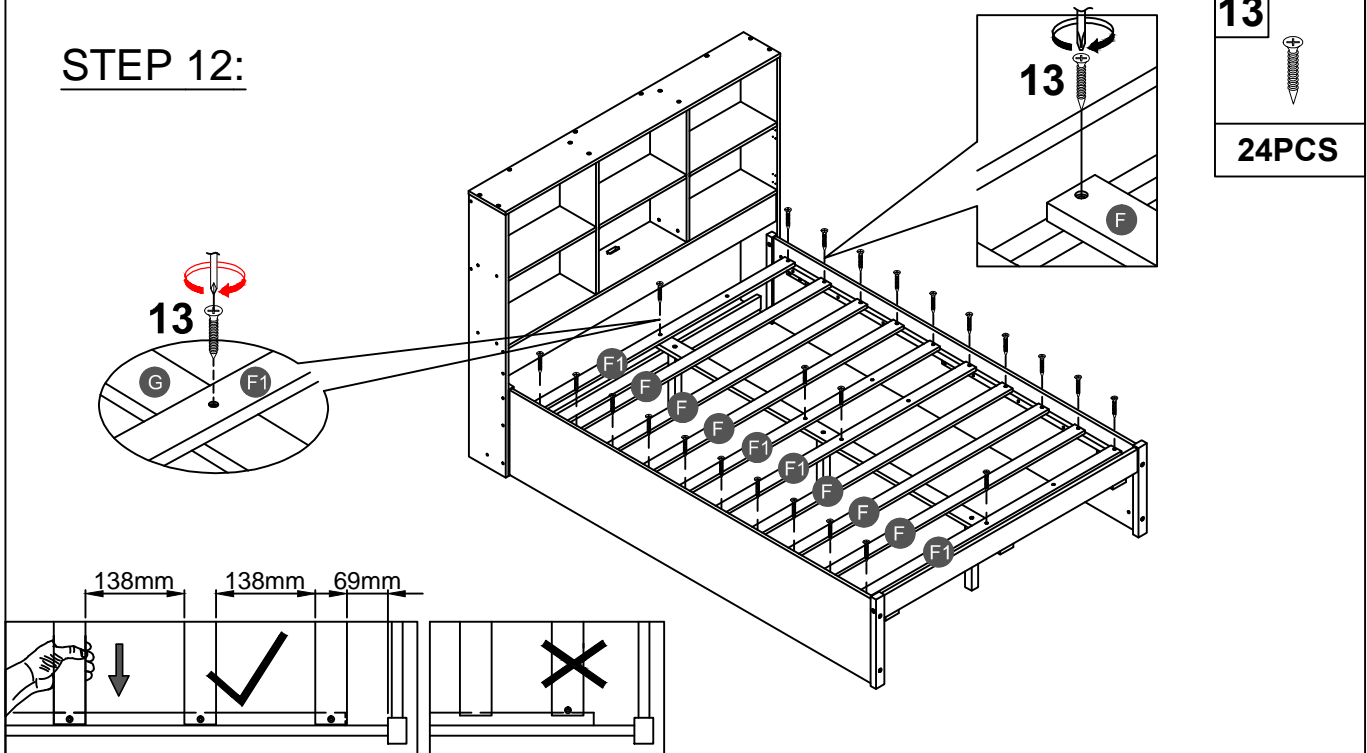
1		3	
4PCS		8PCS	
		6	
		8PCS	

STEP 11:






Assembling leg support (H) with lower support slat (G) later rotate, Move support slat inside Full bed.

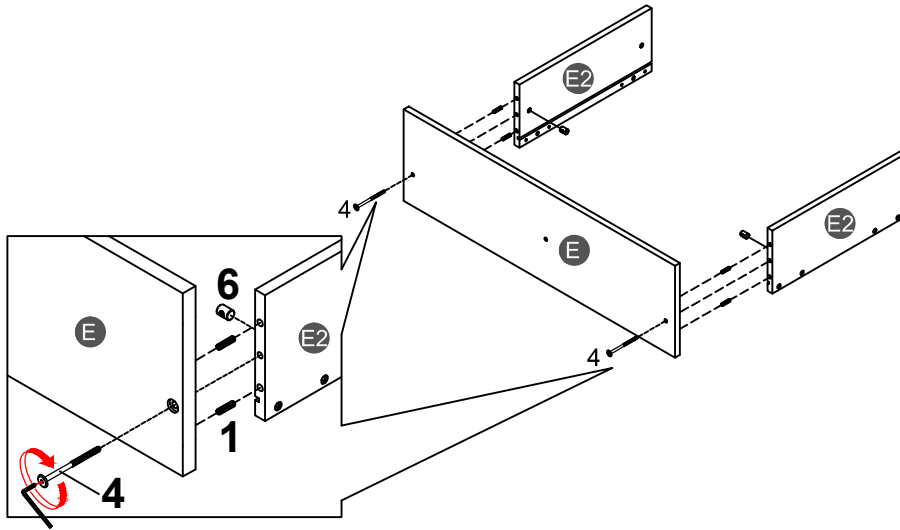
STEP 12:



Note: Do not lock the screws of the bed slats to the outermost edge of the bed slats, you need to leave a certain space at the edges, otherwise it will cause the board to break. Do not lock the bed slats on the edge of the wood, please hold firmly before screwing, hold it in place with one hand, then lock the screw.




STEP 13:

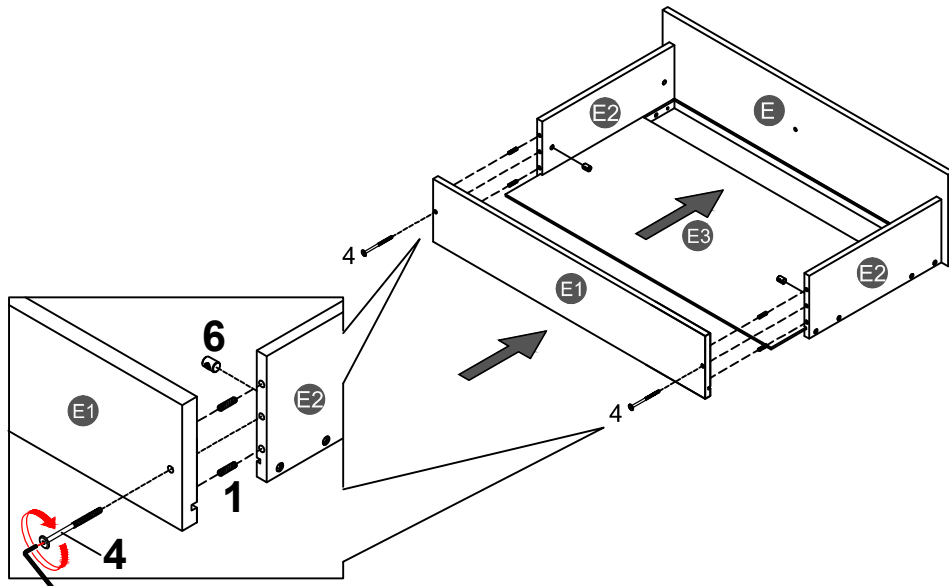
1		4		6	
8PCS		4PCS		4PCS	



x 2

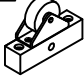

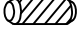
STEP 14:

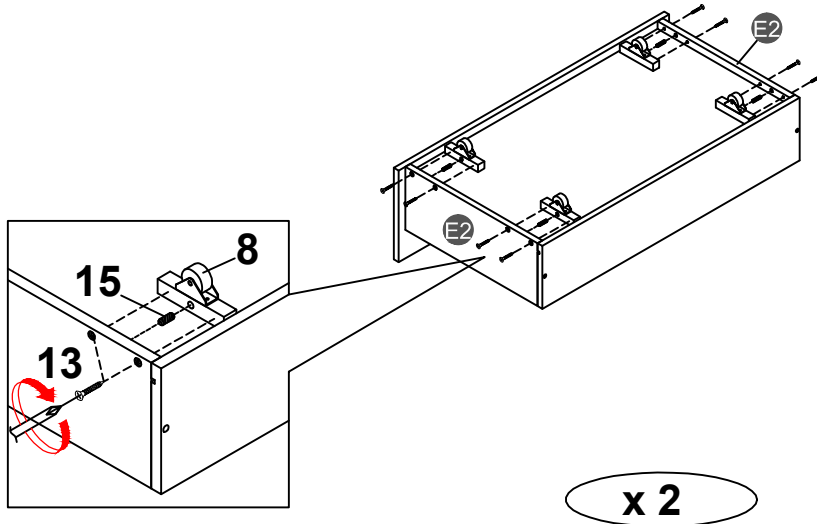
1		4		6	
8PCS		4PCS		4PCS	





x 2

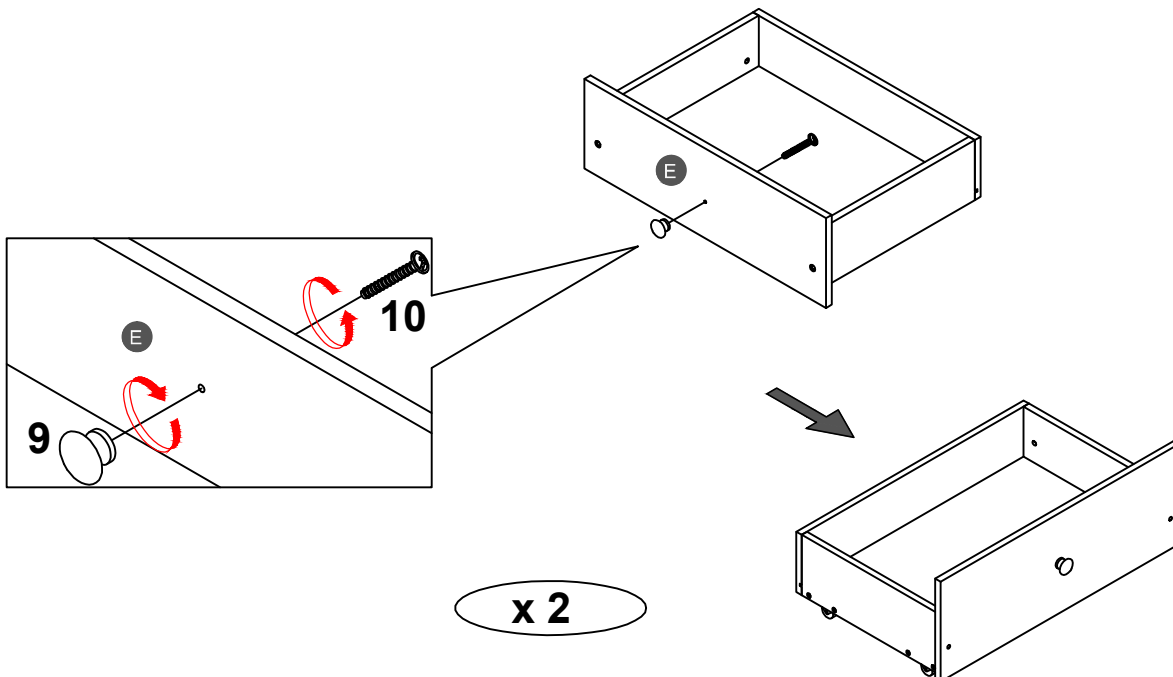
STEP 15:

8 	13 	15 
8PCS	16PCS	8PCS

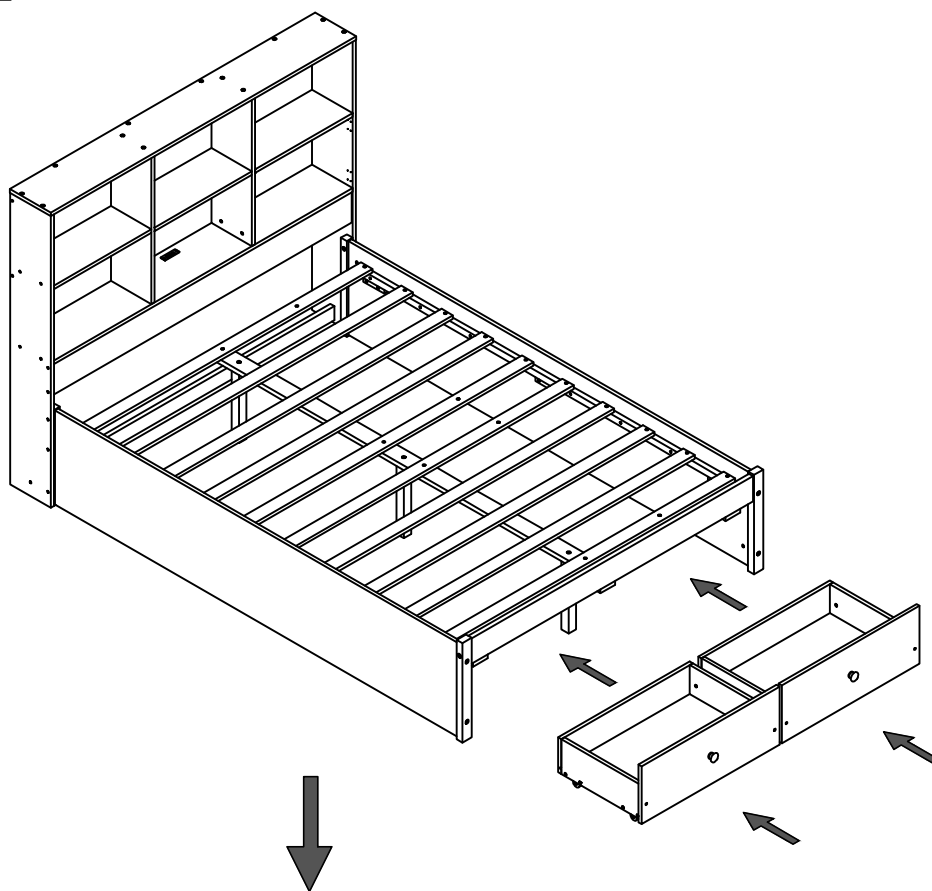


STEP 16:

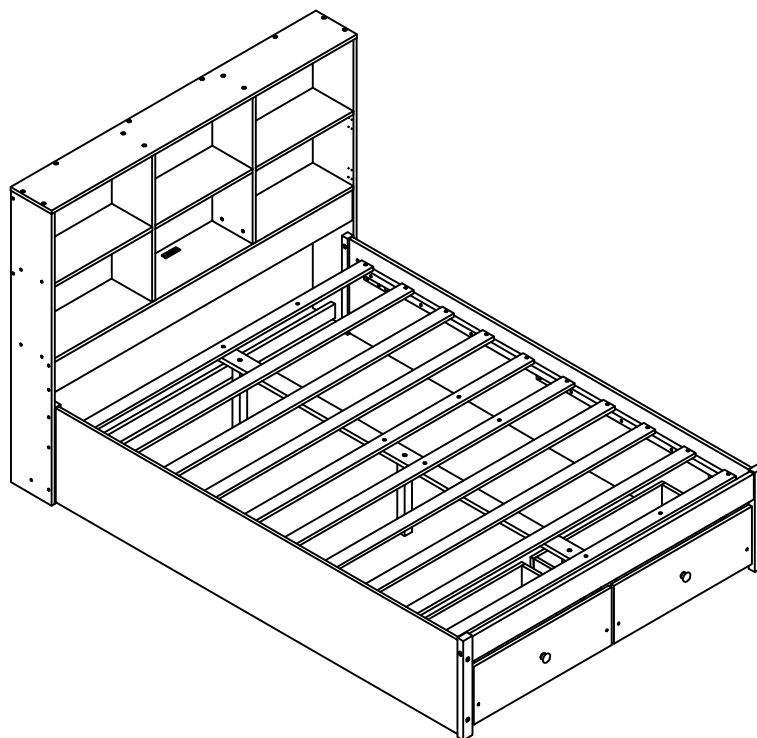
9 	10 
2PCS	2PCS



STEP 17:



Push Drawer under the bottom of Bunk Bed.



Make sure to tighten all the screws of the bed.