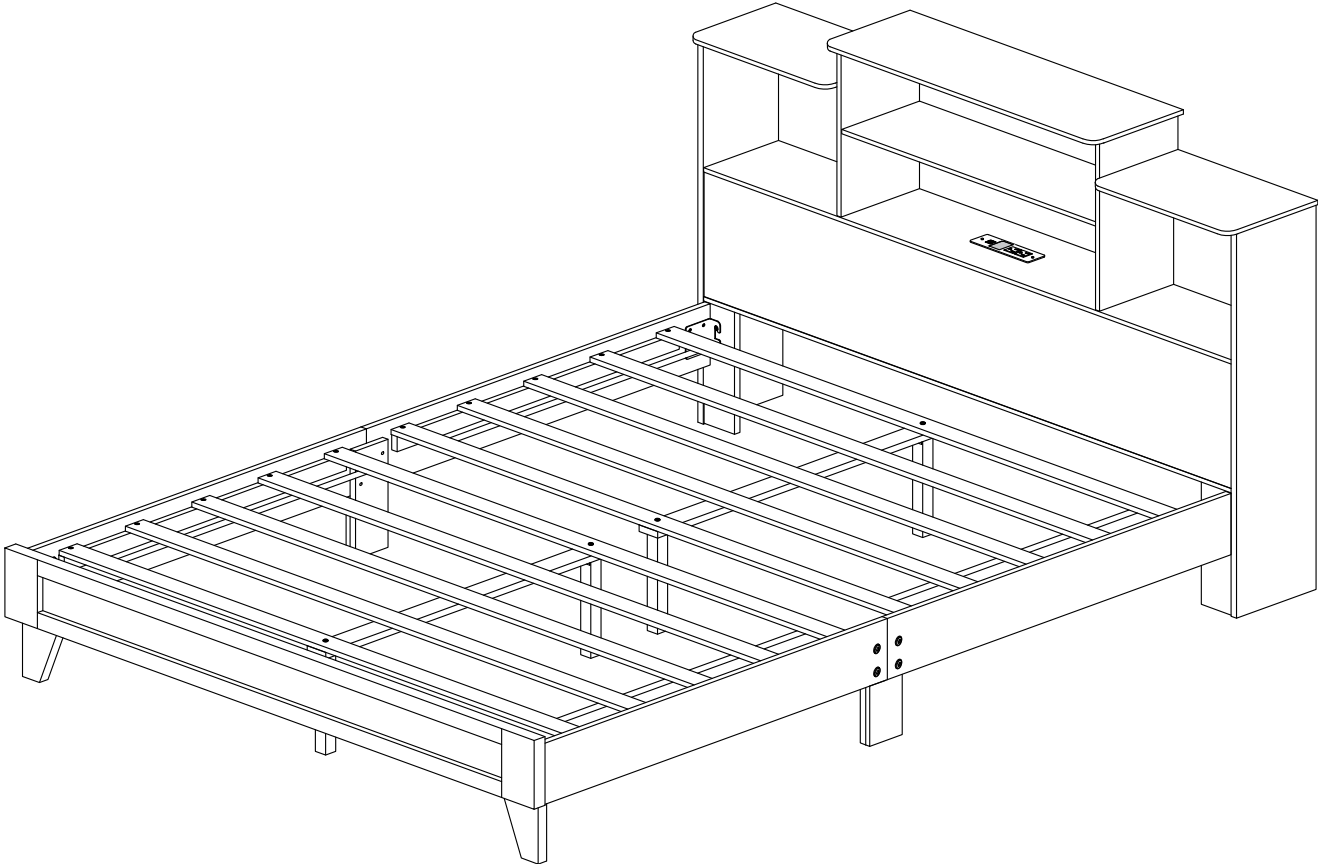


# ASSEMBLY INSTRUCTION

BH 19 (Queen)

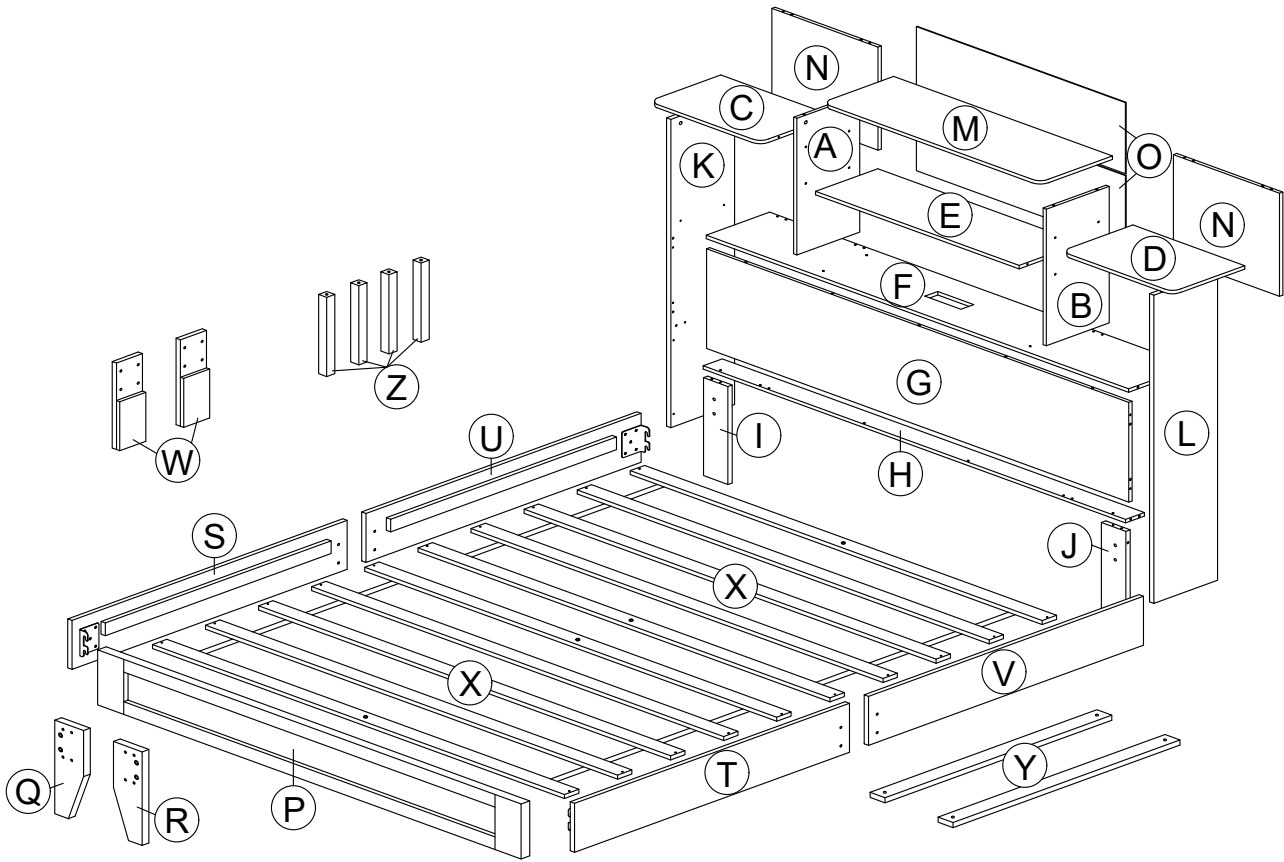
SKU : WF312862



# ASSEMBLY INSTRUCTION

**BH 19 (Queen)**

**SKU : WF312862**

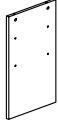

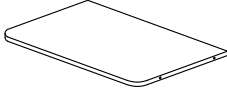
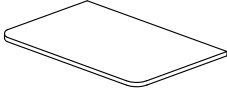

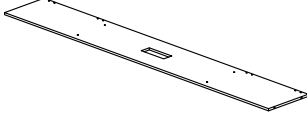
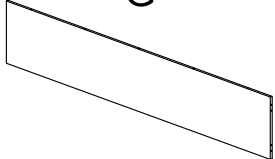
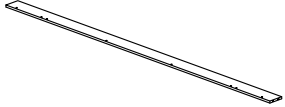
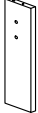
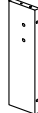


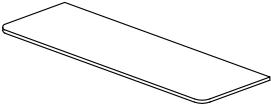
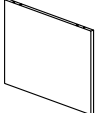
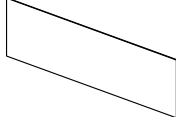
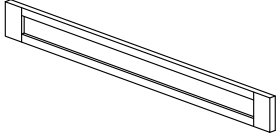


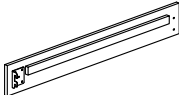
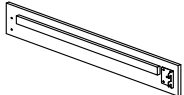


# ASSEMBLY INSTRUCTION

**BH 19 (Queen)**

**SKU : WF312862**

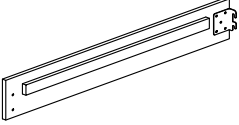
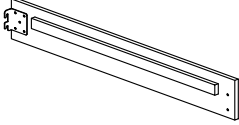
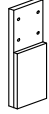
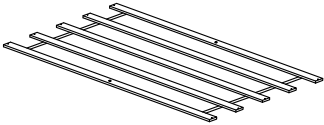
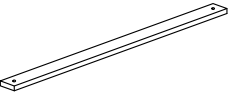

## PART LIST




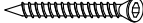



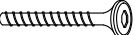
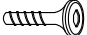
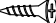
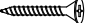


<p style="text-align: center;"><b>A</b></p>  <p style="text-align: center;">Bedhead Center Panel L 1 PCS</p>	<p style="text-align: center;"><b>B</b></p>  <p style="text-align: center;">Bedhead Center Panel R 1 PCS</p>	<p style="text-align: center;"><b>C</b></p>  <p style="text-align: center;">Top Panel Side L 1 PCS</p>	<p style="text-align: center;"><b>D</b></p>  <p style="text-align: center;">Top Panel Side R 1 PCS</p>
<p style="text-align: center;"><b>E</b></p>  <p style="text-align: center;">Bedhead Center Middle 1 PCS</p>	<p style="text-align: center;"><b>F</b></p>  <p style="text-align: center;">Bedhead Middle Panel 1 PCS</p>	<p style="text-align: center;"><b>G</b></p>  <p style="text-align: center;">Bedhead Front Panel 1 PCS</p>	<p style="text-align: center;"><b>H</b></p>  <p style="text-align: center;">Bedhead Front Support 1 PCS</p>
<p style="text-align: center;"><b>I</b></p>  <p style="text-align: center;">Bedhead Side Leg L 1 PCS</p>	<p style="text-align: center;"><b>J</b></p>  <p style="text-align: center;">Bedhead Side Leg R 1 PCS</p>	<p style="text-align: center;"><b>K</b></p>  <p style="text-align: center;">Bedhead Side Panel L 1 PCS</p>	<p style="text-align: center;"><b>L</b></p>  <p style="text-align: center;">Bedhead Side Panel R 1 PCS</p>
<p style="text-align: center;"><b>M</b></p>  <p style="text-align: center;">Top Panel Center 1 PCS</p>	<p style="text-align: center;"><b>N</b></p>  <p style="text-align: center;">Back Panel Side L/R 2 PCS</p>	<p style="text-align: center;"><b>O</b></p>  <p style="text-align: center;">Back Panel Center 2 PCS</p>	<p style="text-align: center;"><b>P</b></p>  <p style="text-align: center;">Bed End 1 PCS</p>
<p style="text-align: center;"><b>Q</b></p>  <p style="text-align: center;">Bed End Leg L 1 PCS</p>	<p style="text-align: center;"><b>R</b></p>  <p style="text-align: center;">Bed End Leg R 1 PCS</p>	<p style="text-align: center;"><b>S</b></p>  <p style="text-align: center;">Bed Side Rear L 1 PCS</p>	<p style="text-align: center;"><b>T</b></p>  <p style="text-align: center;">Bed Side Rear R 1 PCS</p>

# ASSEMBLY INSTRUCTION

**BH 19 (Queen)**

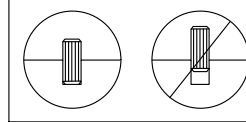
**SKU : WF312862**

PART LIST			
U 	V 	W 	X 
Bed Side Front L 1 PCS	Bed Side Front R 1 PCS	Bed Side Leg 2 PCS	Bed Slats 2 PCS
Y 	Z 		
Bed Slats Center 2 PCS	Bed Slats Leg 4 PCS		

HARDWARE LIST			
1 	2 	3 	
M6x30MM Wood Dowel 18 PCS	Camlock 12MM 31 PCS	Camlock Bolt 12MM 31 PCS	
4 	5 	6 	7 
Csk M6x50MM 22 PCS	M4 Allen Key 1 PCS	M5 Allen Key 1 PCS	M6x25MM JCBC Screw 8 PCS
8 	9 	10 	11 
M6x40MM JCBC Screw 12 PCS	M8x16MM JCBB Screw 8 PCS	M3.5x16MM Screw 8 PCS	M4x38MM Screw 20 PCS
12 	13 		
Nail 5/8 30 PCS	USB Charger 1 PCS		

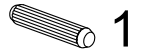
# ASSEMBLY INSTRUCTION

## Step 1

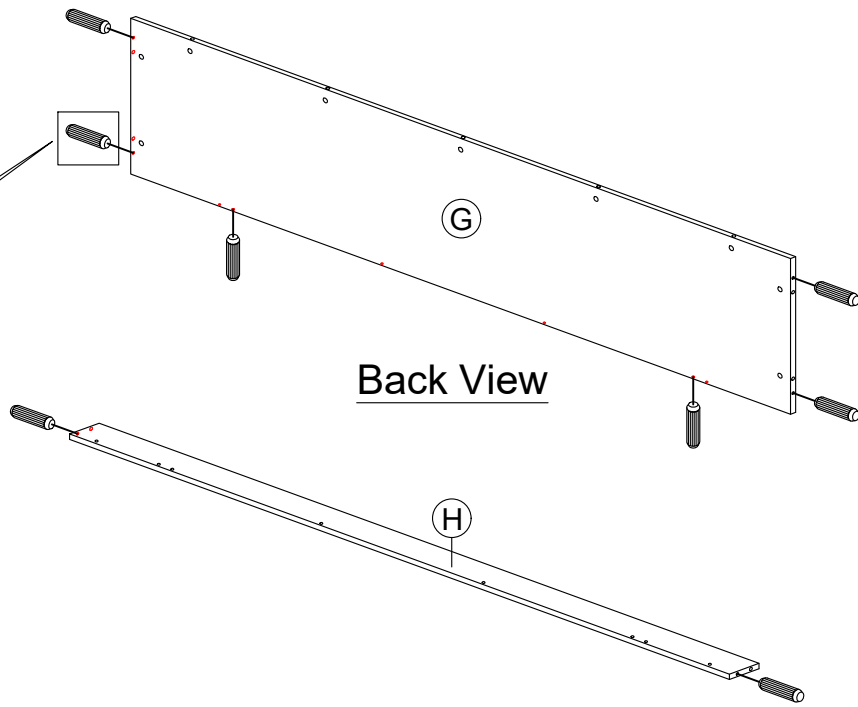
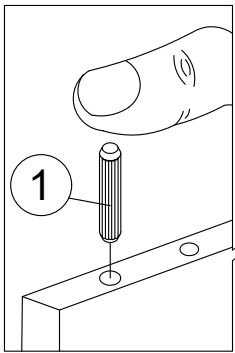


Required/Requis/Requerido

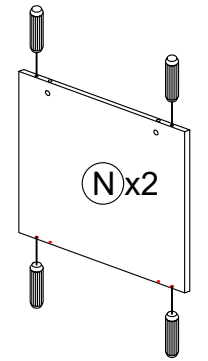
x18



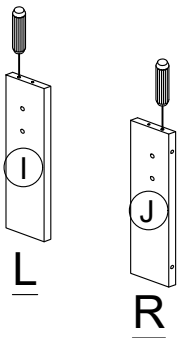
1



Back View



Back View



L

R

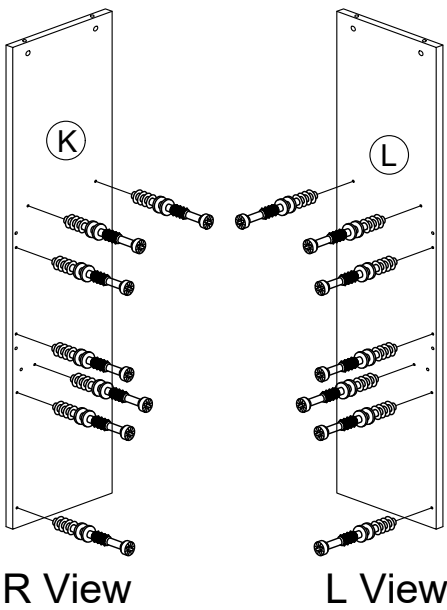
## Step 2

Required/Requis/Requerido

x31

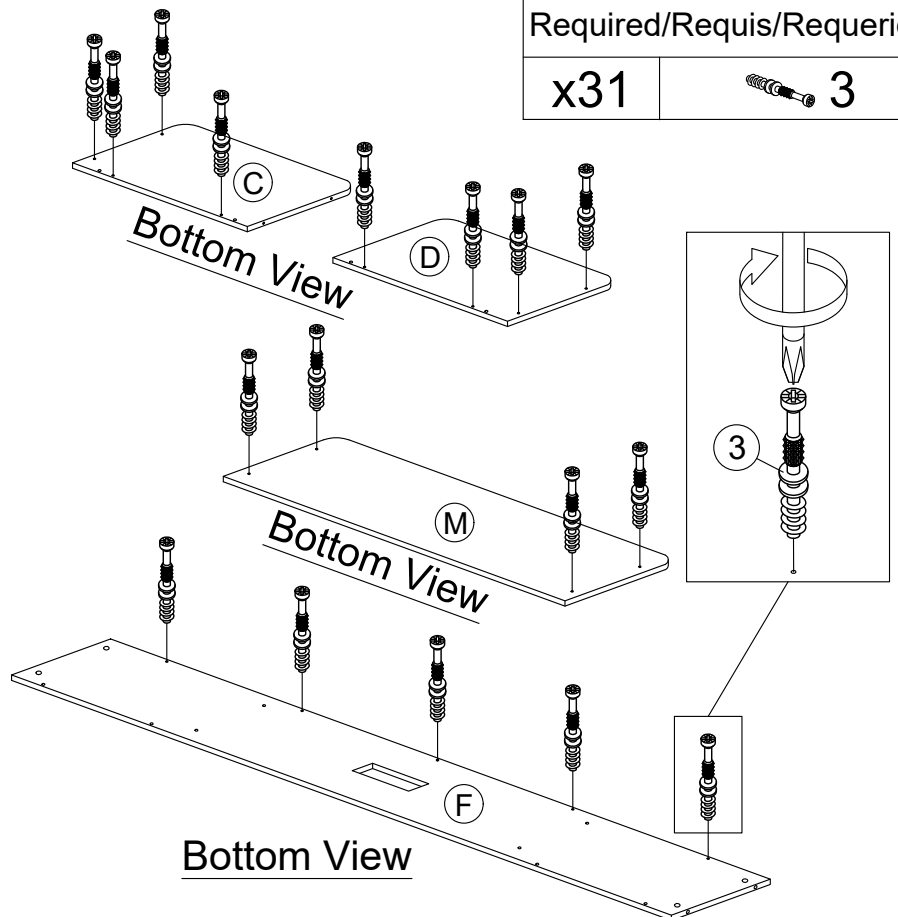


3



R View

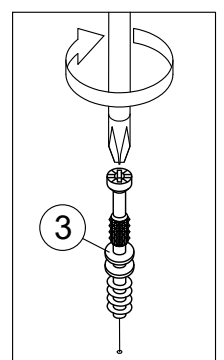
L View



Bottom View

Bottom View

Bottom View



3

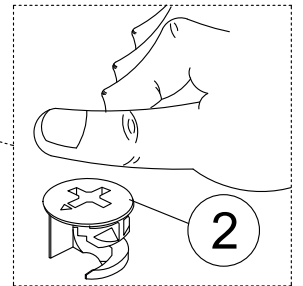
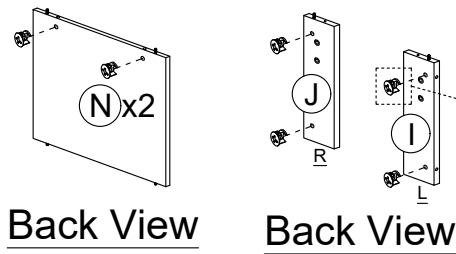
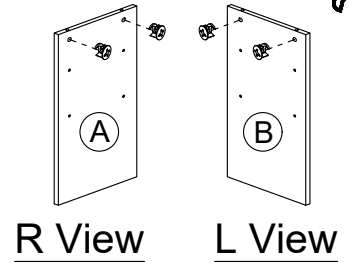
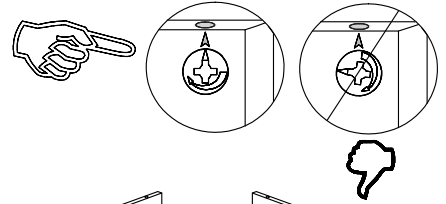
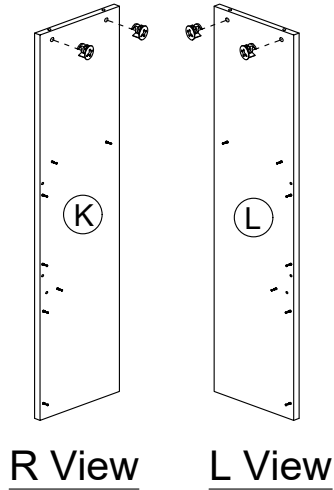
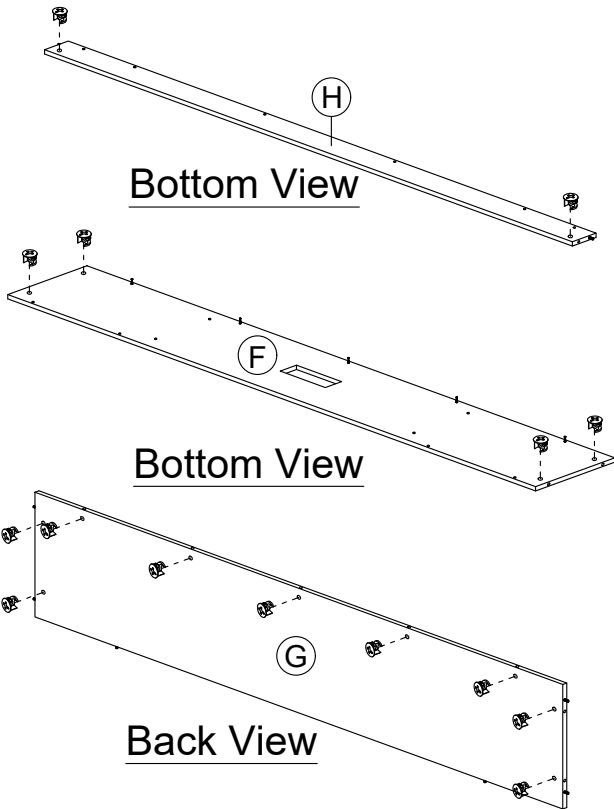
# ASSEMBLY INSTRUCTION

## Step 3

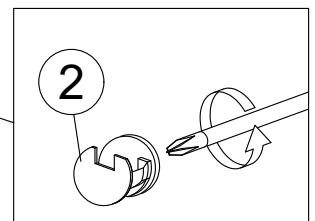
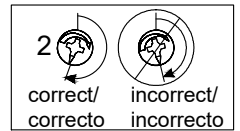
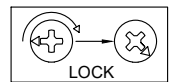
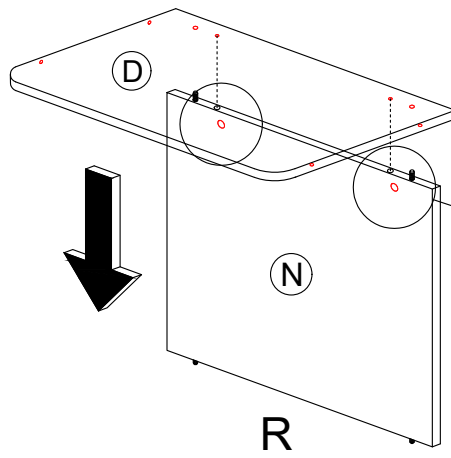
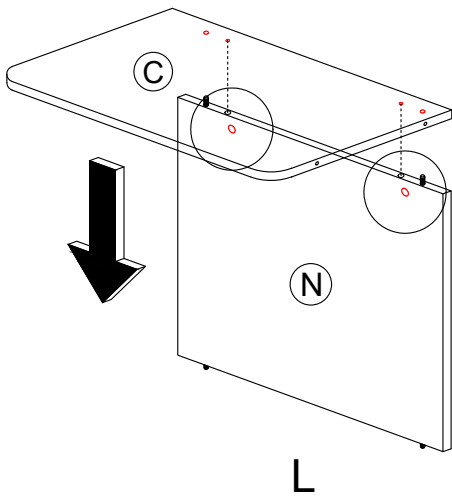
Required/Requis/Requerido

x31

 2



## Step 4



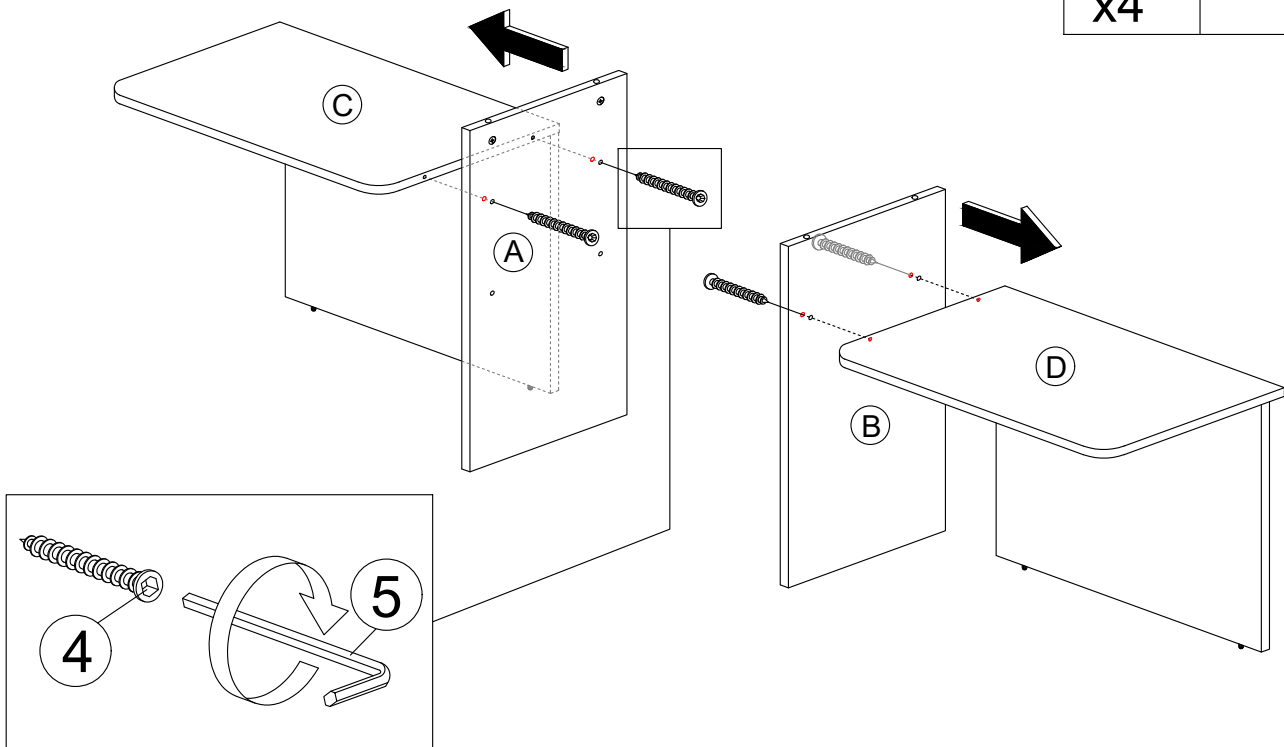
# ASSEMBLY INSTRUCTION

## Step 5

Required/Requis/Requerido

x1  5

x4  4

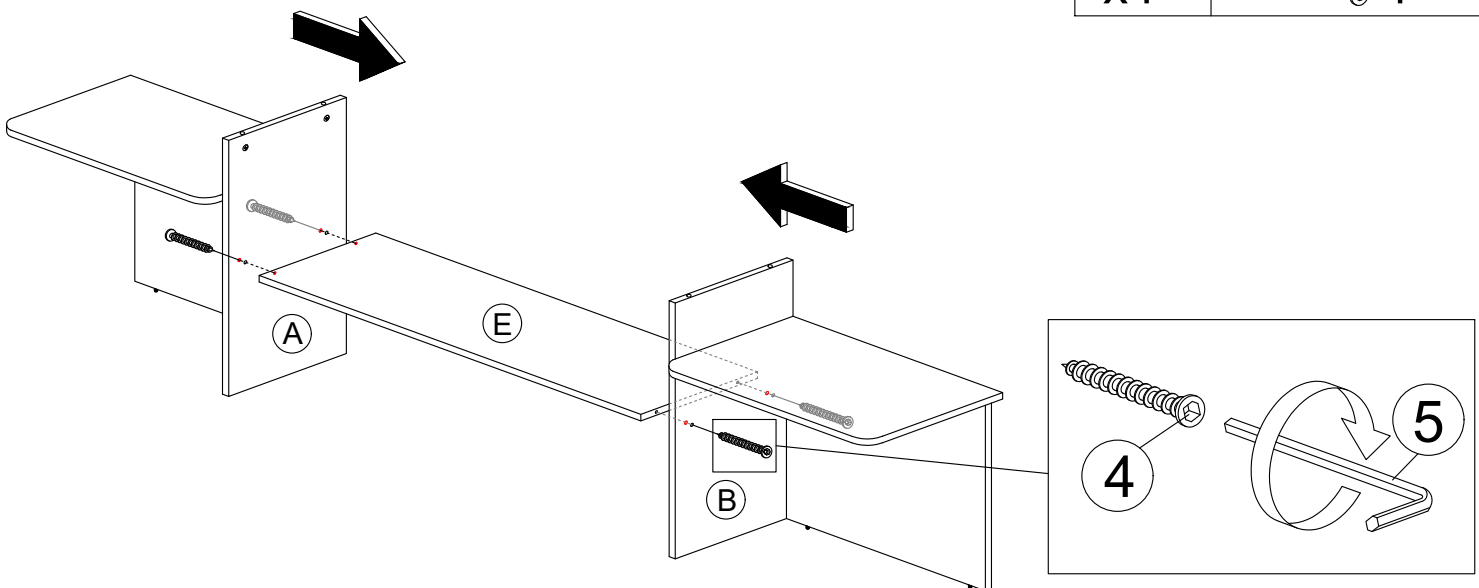


## Step 6

Required/Requis/Requerido

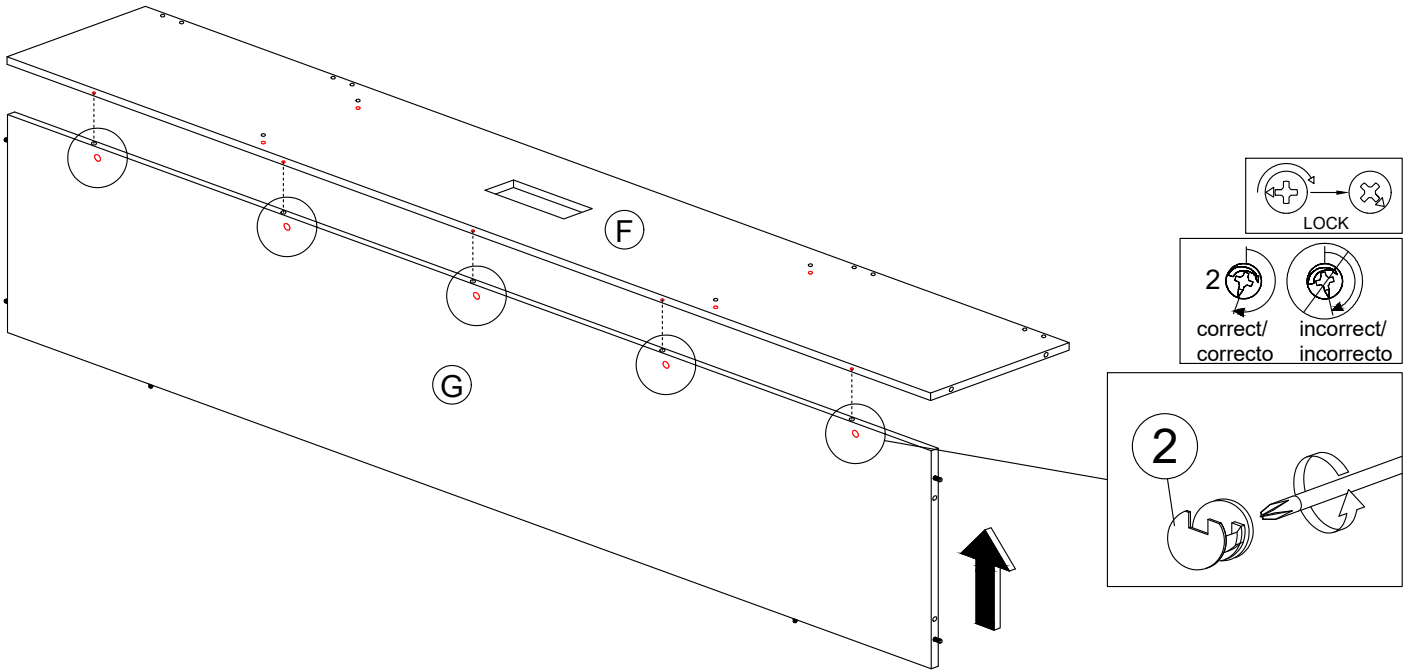
x1  5

x4  4



# ASSEMBLY INSTRUCTION


## Step 7

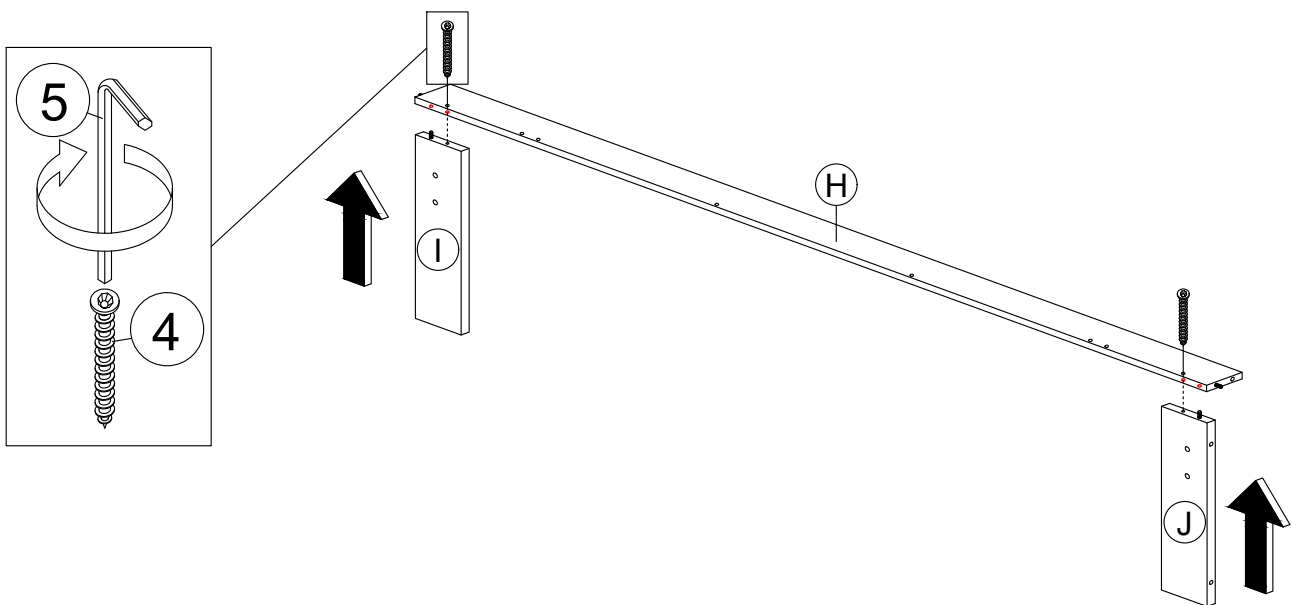


## Step 8

Required/Requis/Requerido

x1  5

x2  4





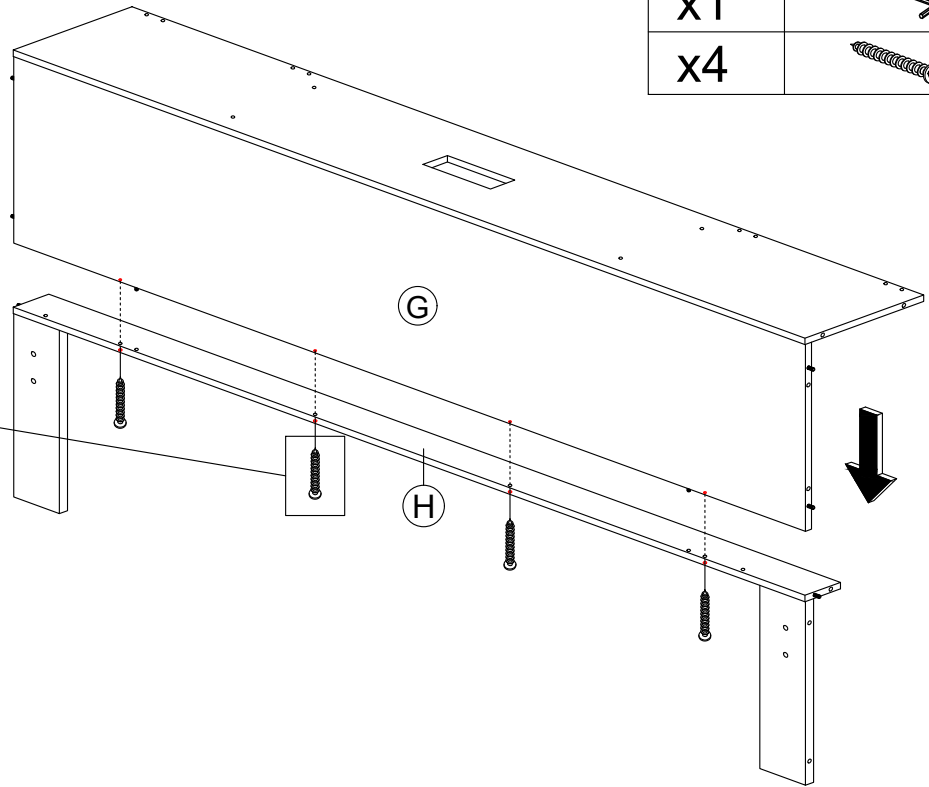
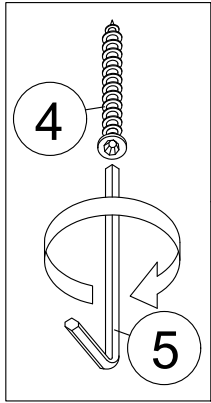
# ASSEMBLY INSTRUCTION

## Step 9

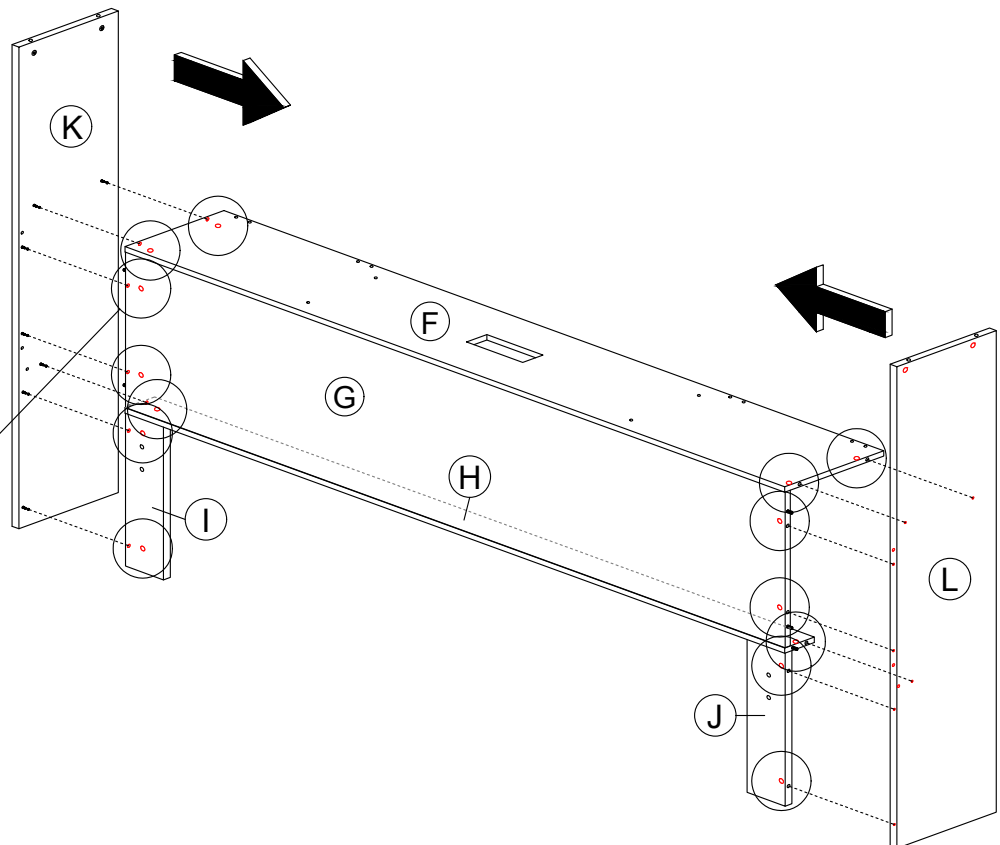
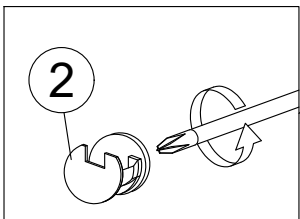
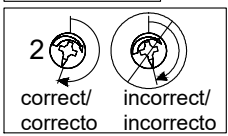
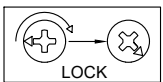
Required/Requis/Requerido

x1  5

x4  4



## Step 10



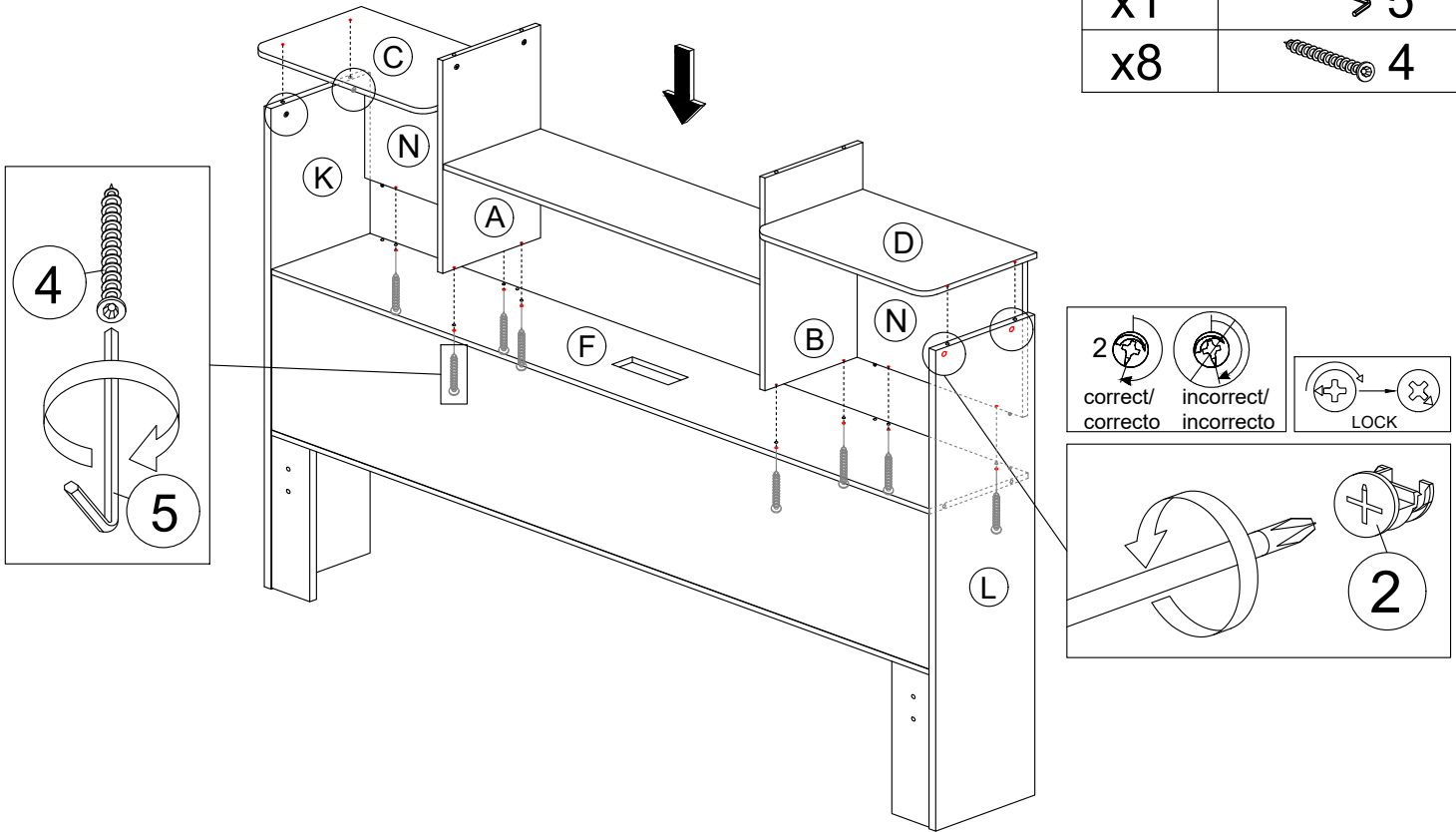
# ASSEMBLY INSTRUCTION

## Step 11

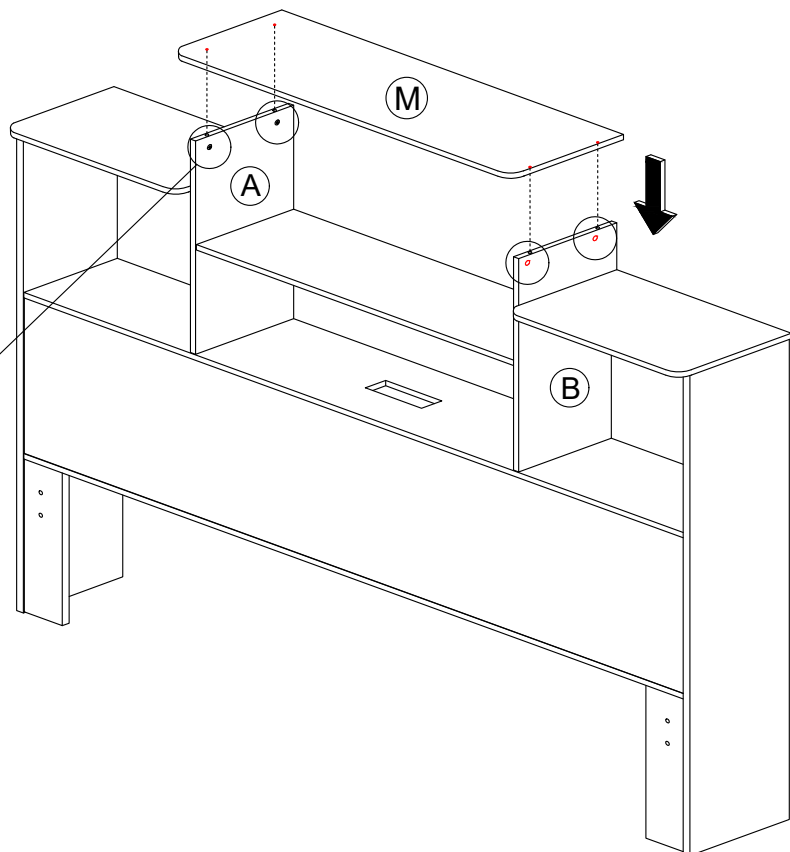
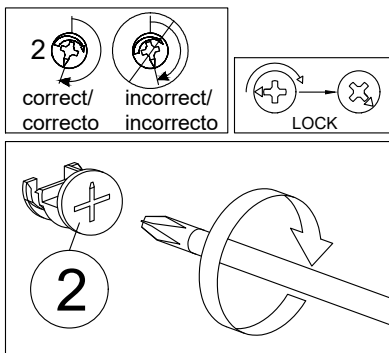
Required/Requis/Requerido

x1  5

x8  4



## Step 12



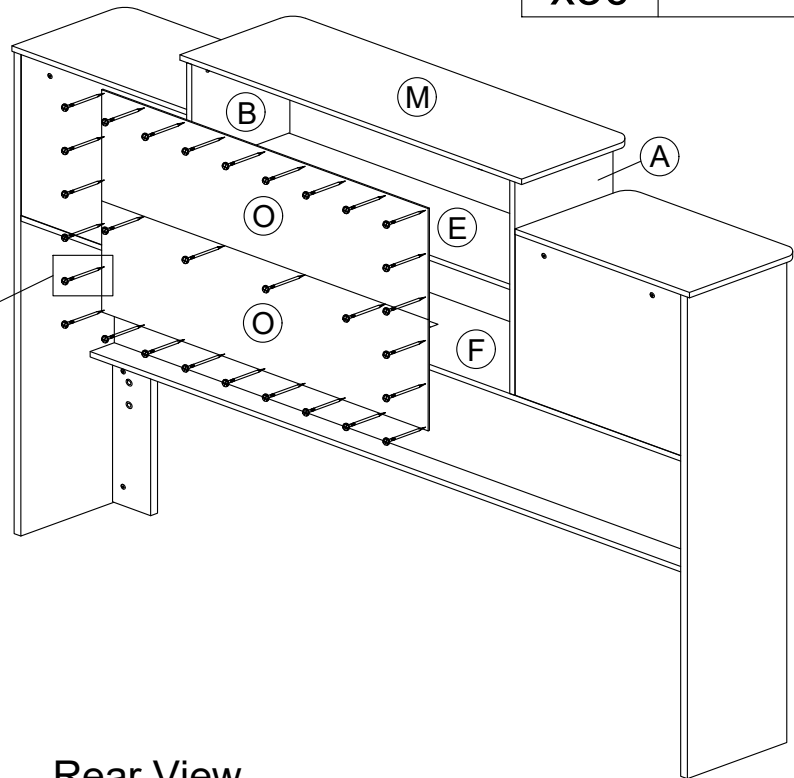
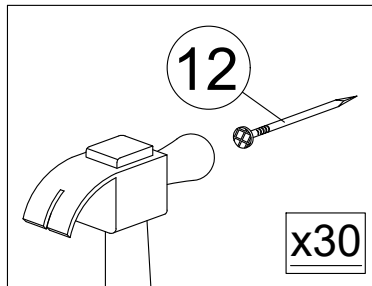
# ASSEMBLY INSTRUCTION

## Step 13

Required/Requis/Requerido

x30

 12



Rear View

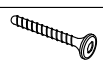
## Step 14

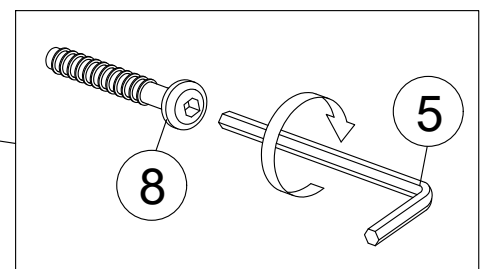
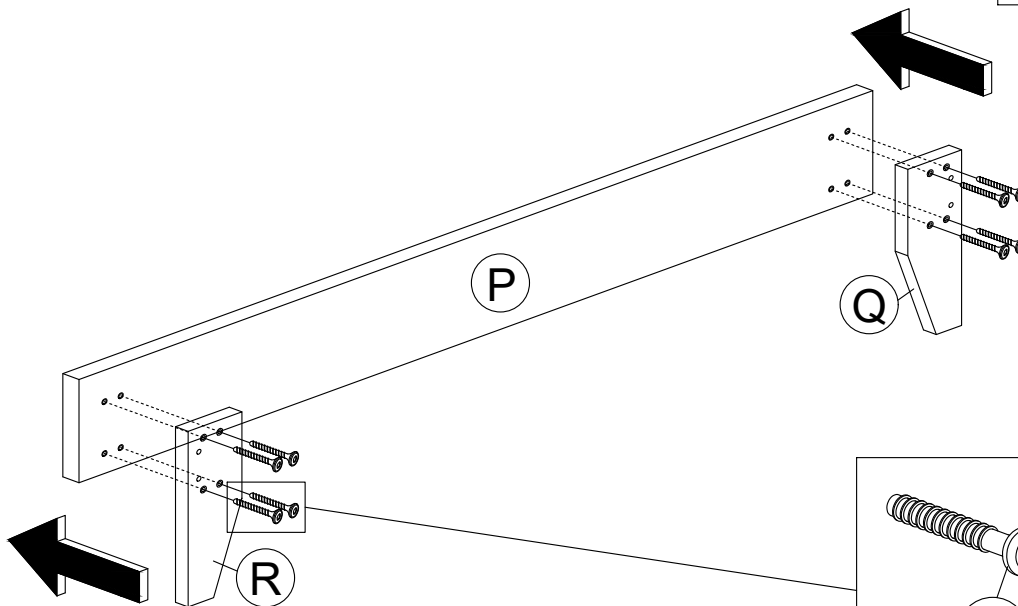
Required/Requis/Requerido

x1

 5

x8

 8



Rear View

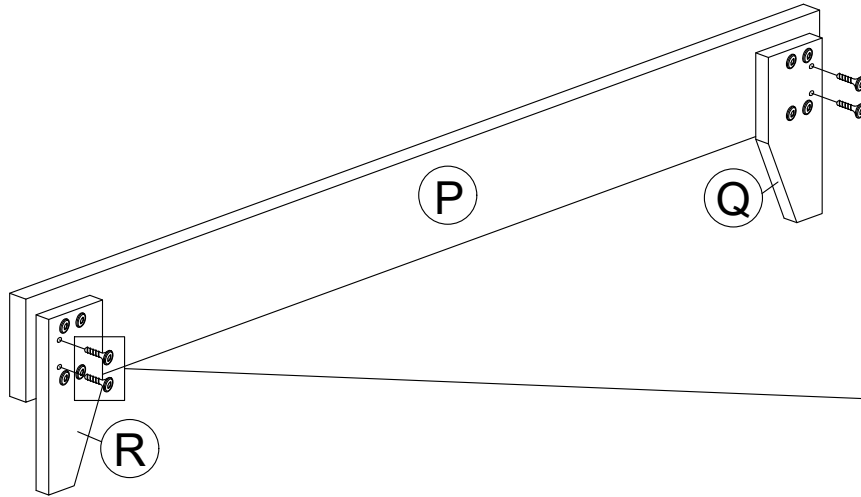
# ASSEMBLY INSTRUCTION

## Step 15

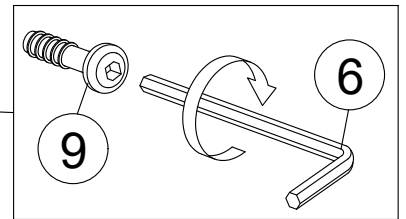
Required/Requis/Requerido

x1  6

x4  9



Don't Tighten until end, please left 2-5mm distance for next step assembly part



Rear View

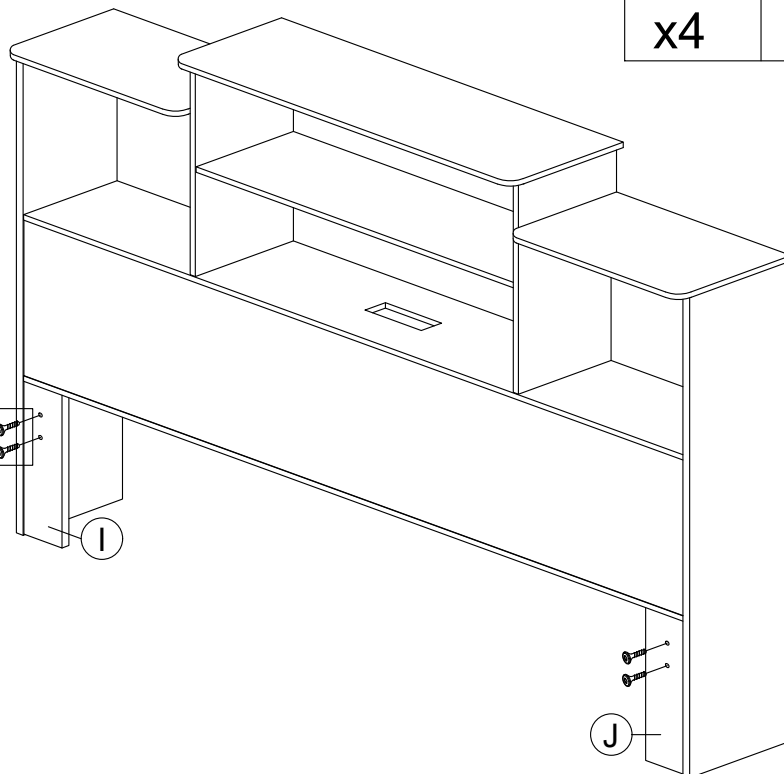
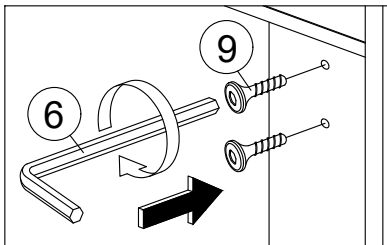
## Step 16

Required/Requis/Requerido

x1  6

x4  9


Don't Tighten until end, please left 2-5mm distance for next step assembly part



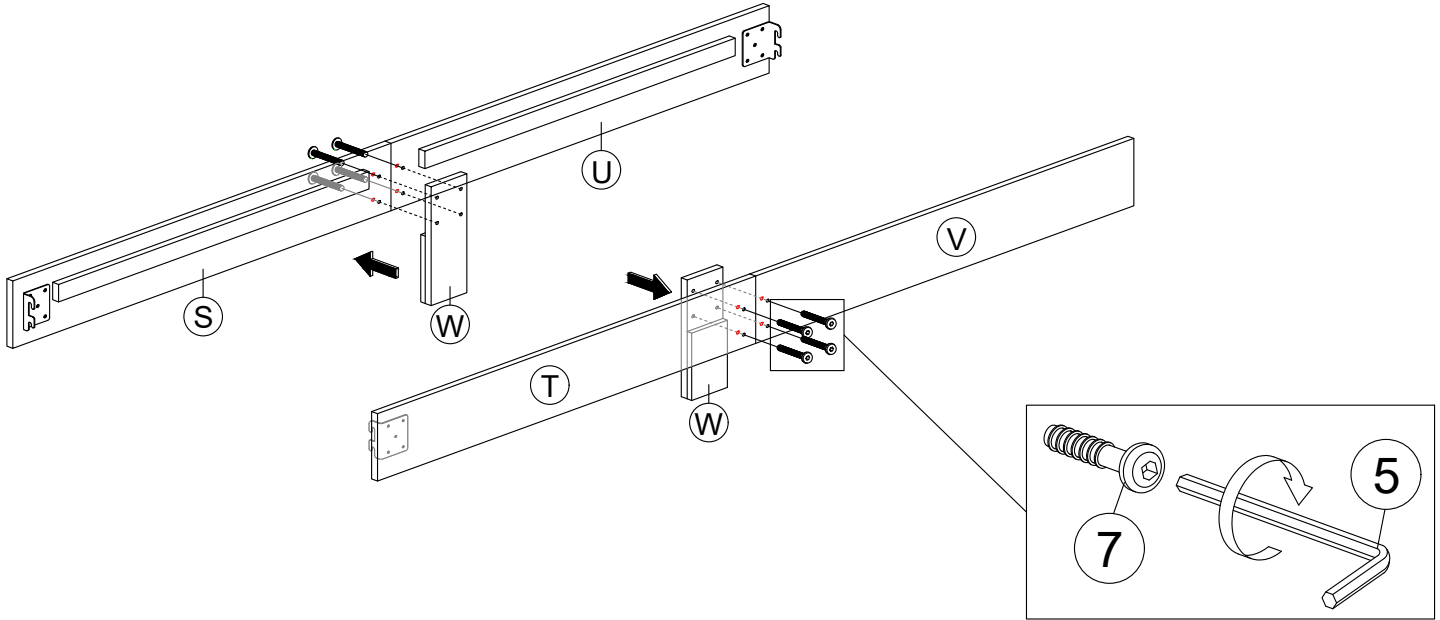
# ASSEMBLY INSTRUCTION

## Step 17

Required/Requis/Requerido

x1  5

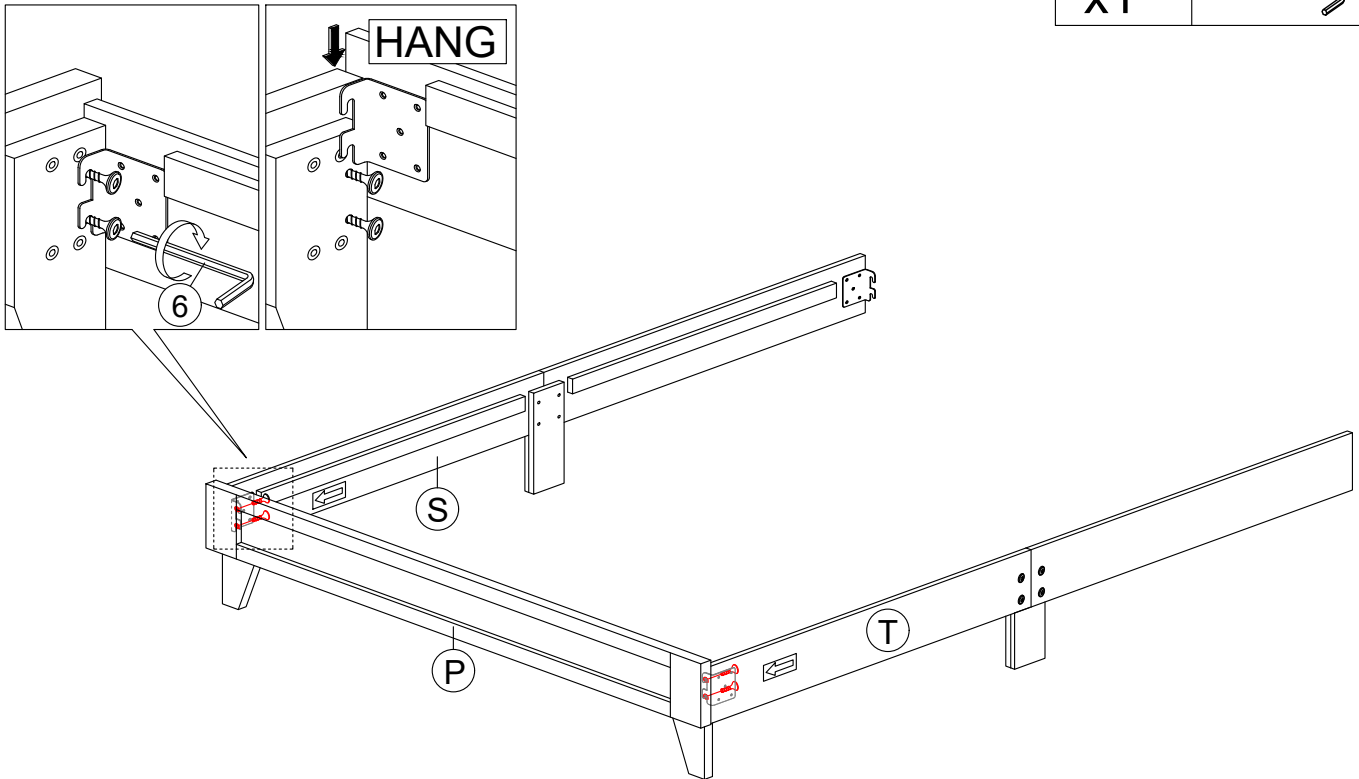
x8  7



## Step 18

Required/Requis/Requerido

x1  6



# ASSEMBLY INSTRUCTION

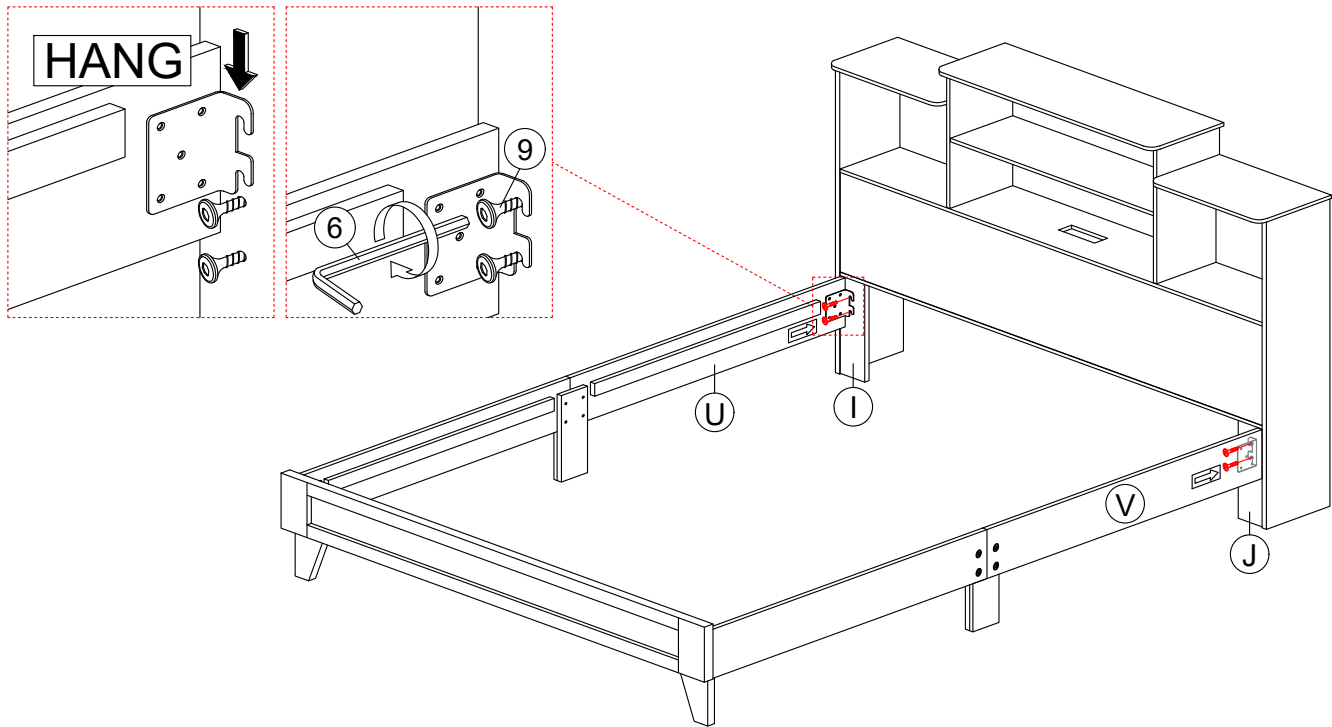
## Step 19

Required/Requis/Requerido

x1



6



## Step 20

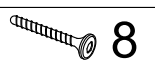
Required/Requis/Requerido

x1

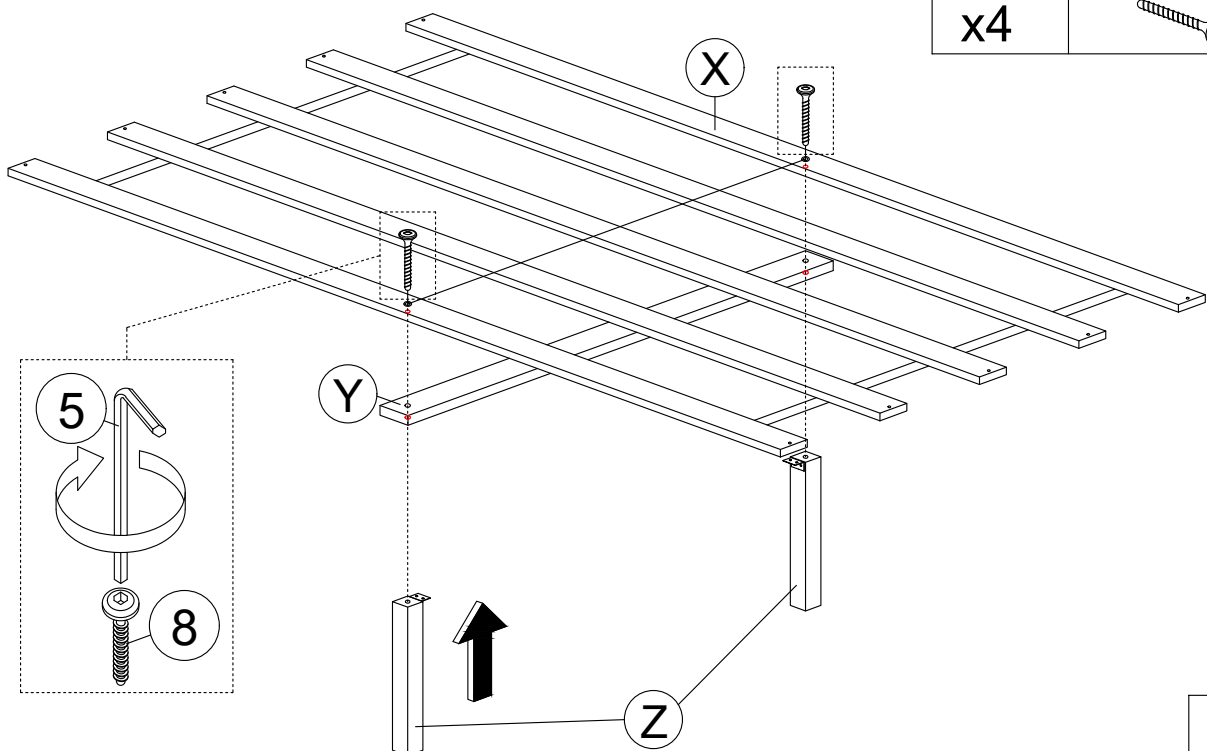


5

x4



8



x2

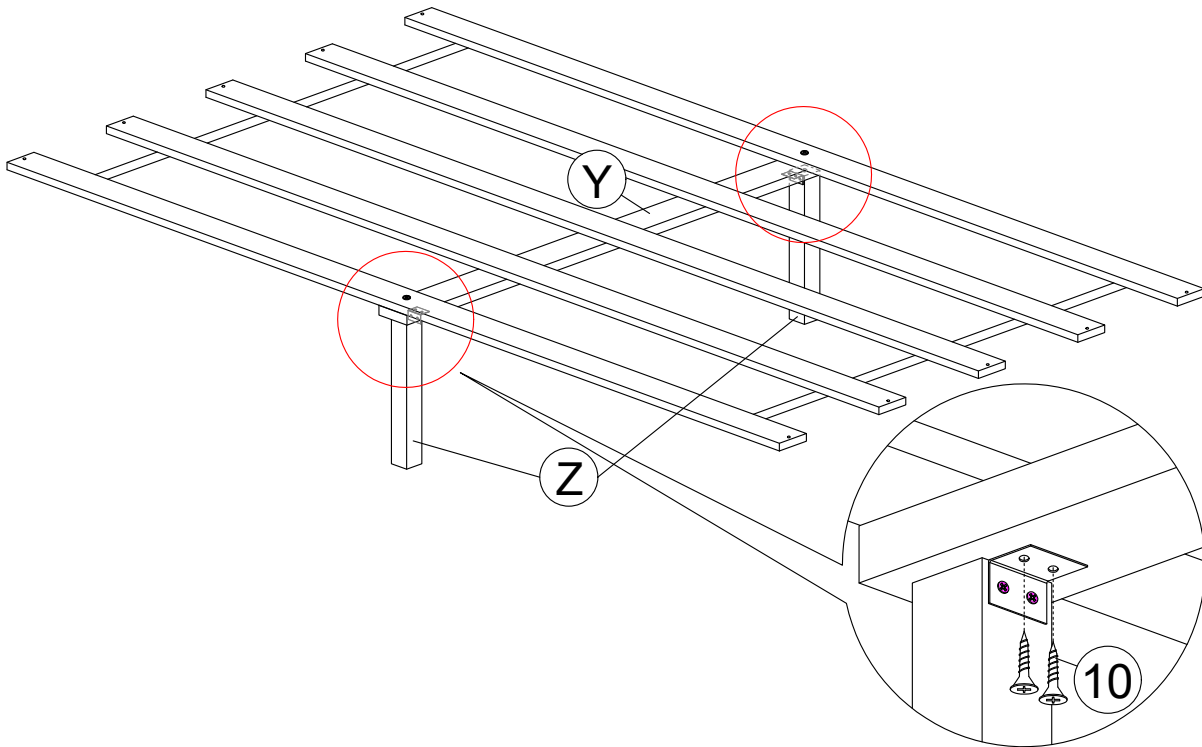
# ASSEMBLY INSTRUCTION

## Step 21

Required/Requis/Requerido

x8

 10

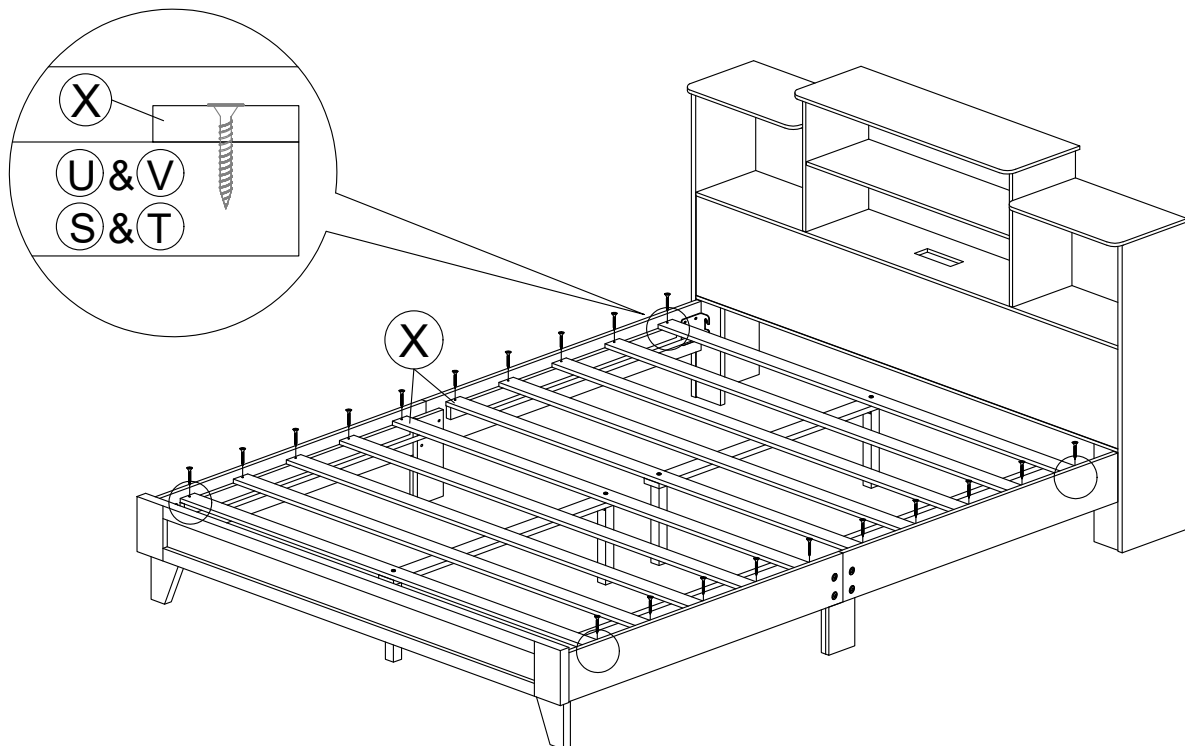


## Step 22

Required/Requis/Requerido

x20

 11



# ASSEMBLY INSTRUCTION

**Completed**

Required/Requis/Requerido

x1

 13

