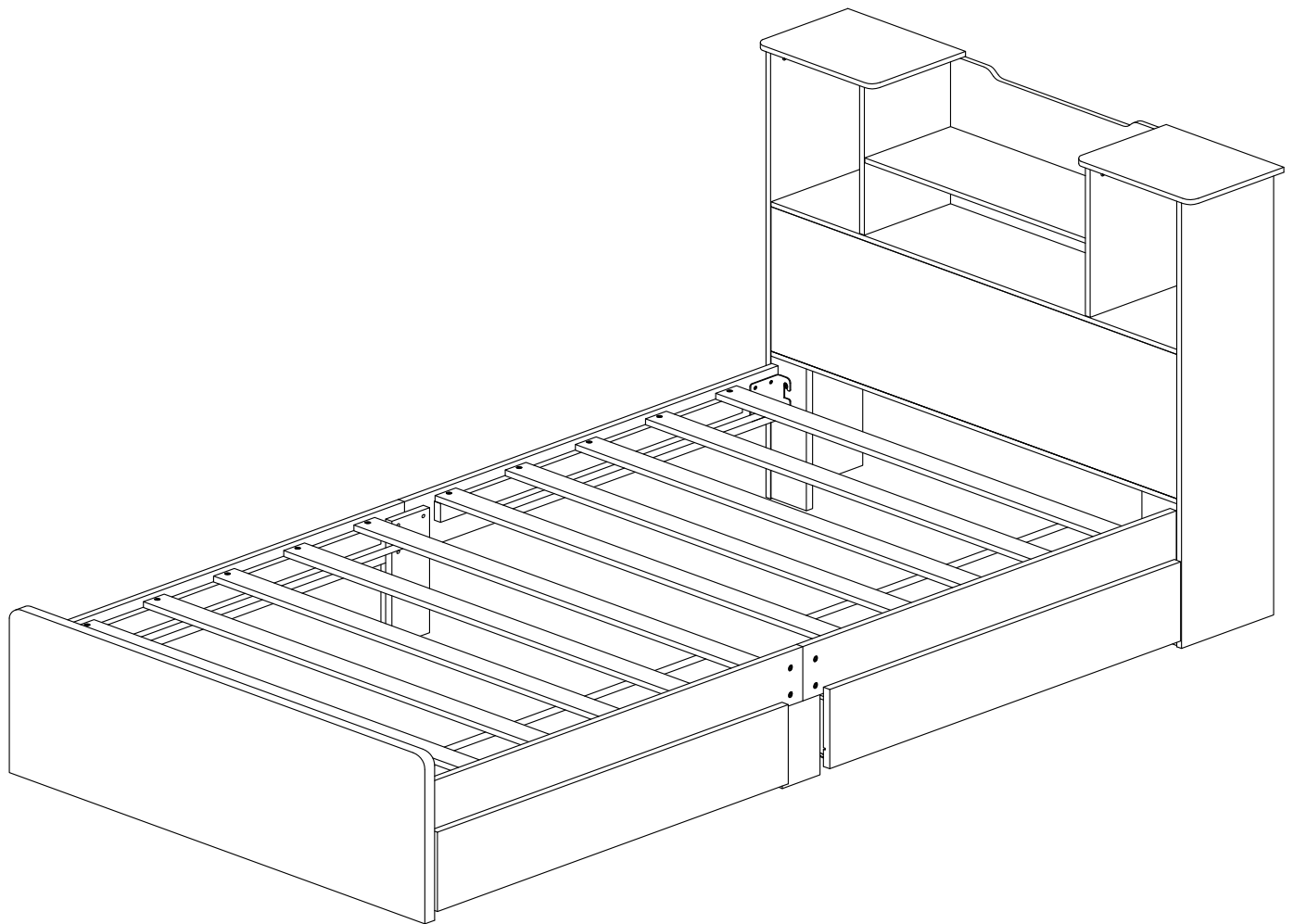


ASSEMBLY INSTRUCTION

BH 21 (Twin : Drawers Bed)

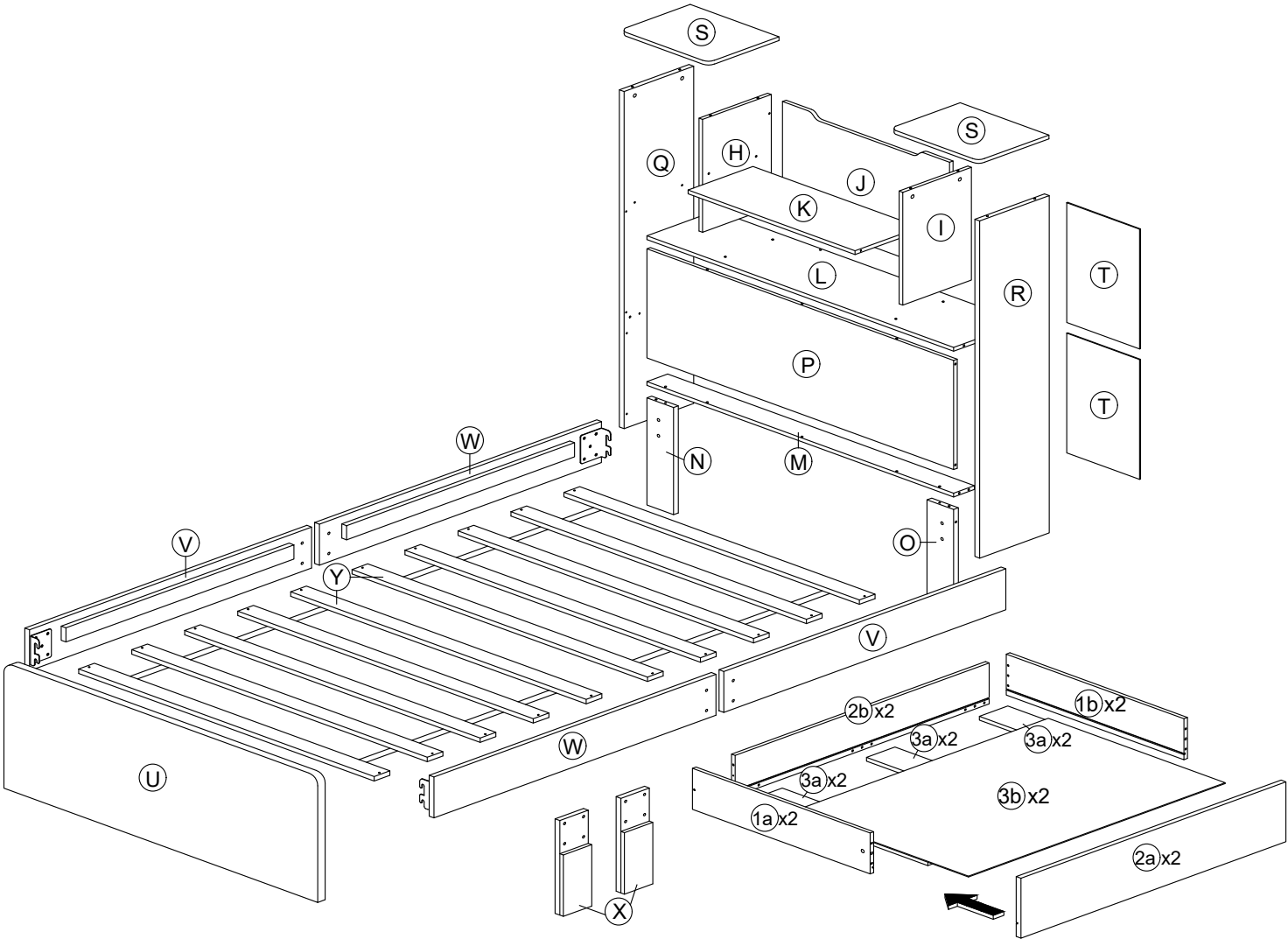
SKU : WF312865



ASSEMBLY INSTRUCTION

BH 21 (Twin : Drawers Bed)

SKU : WF312865

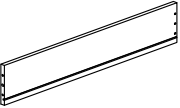
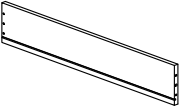
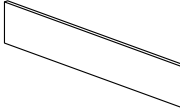
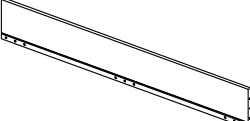
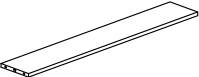
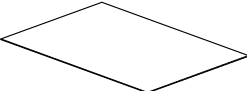


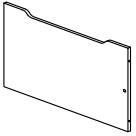

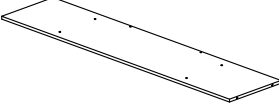
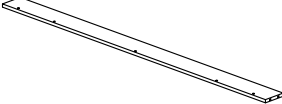


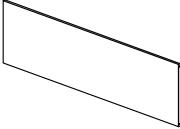


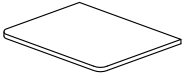

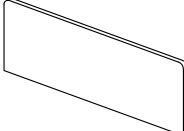


ASSEMBLY INSTRUCTION

BH 21 (Twin : Drawers Bed)

SKU : WF312865

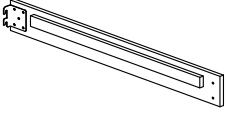
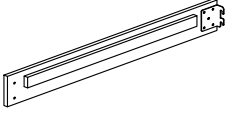
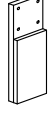
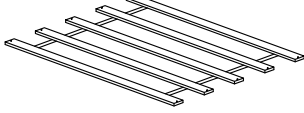
PART LIST








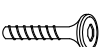




<p>1a</p>  <p>Drawer Left Side 2 PCS</p>	<p>1b</p>  <p>Drawer Right Side 2 PCS</p>	<p>2a</p>  <p>Drawer Head 2 PCS</p>	<p>2b</p>  <p>Drawer Back 2 PCS</p>
<p>3a</p>  <p>Drawer Support 6 PCS</p>	<p>3b</p>  <p>Drawer Panel 2 PCS</p>	<p>H</p>  <p>Bedhead Center Panel L 1 PCS</p>	<p>I</p>  <p>Bedhead Center Panel R 1 PCS</p>
<p>J</p>  <p>Bedhead Up Middle Panel 1 PCS</p>	<p>K</p>  <p>Bedhead Shelf Panel 1 PCS</p>	<p>L</p>  <p>Bedhead Middle Panel 1 PCS</p>	<p>M</p>  <p>Bedhead Front Support 1 PCS</p>
<p>N</p>  <p>Bedhead Side Leg L 1 PCS</p>	<p>O</p>  <p>Bedhead Side Leg R 1 PCS</p>	<p>P</p>  <p>Bedhead Front Panel 1 PCS</p>	<p>Q</p>  <p>Bedhead Side Panel L 1 PCS</p>
<p>R</p>  <p>Bedhead Side Panel R 1 PCS</p>	<p>S</p>  <p>Top Panel Side L/R 2 PCS</p>	<p>T</p>  <p>Side Back Panel 2 PCS</p>	<p>U</p>  <p>Footboard 1 PCS</p>

ASSEMBLY INSTRUCTION

BH 21 (Twin : Drawers Bed)

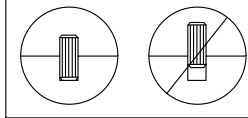
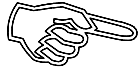
SKU : WF312865

PART LIST			
V	W	X	Y
			
Bed Side Front R / Rear L 2 PCS	Bed Side Front L / Rear R 2 PCS	Bed Side Leg 2 PCS	Bed Slats 2 PCS

HARDWARE LIST			
1	2	3	4
			
M6x30MM Wood Dowel 44 PCS	Camlock 12MM 39 PCS	Camlock Bolt 12MM 39 PCS	M4 Allen Key 1 PCS
5	6	7	8
			
M5 Allen Key 1 PCS	M3.5x12MM Screw 32 PCS	M4x38MM Screw 30 PCS	M6x25MM JCBC Screw 8 PCS
9	10	11	12
			
M8x16MM JCBB Screw 8 PCS	Csk M6x50MM 15 PCS	Nail 5/8 20 PCS	Casters 8 PCS

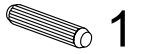
ASSEMBLY INSTRUCTION

Step 1

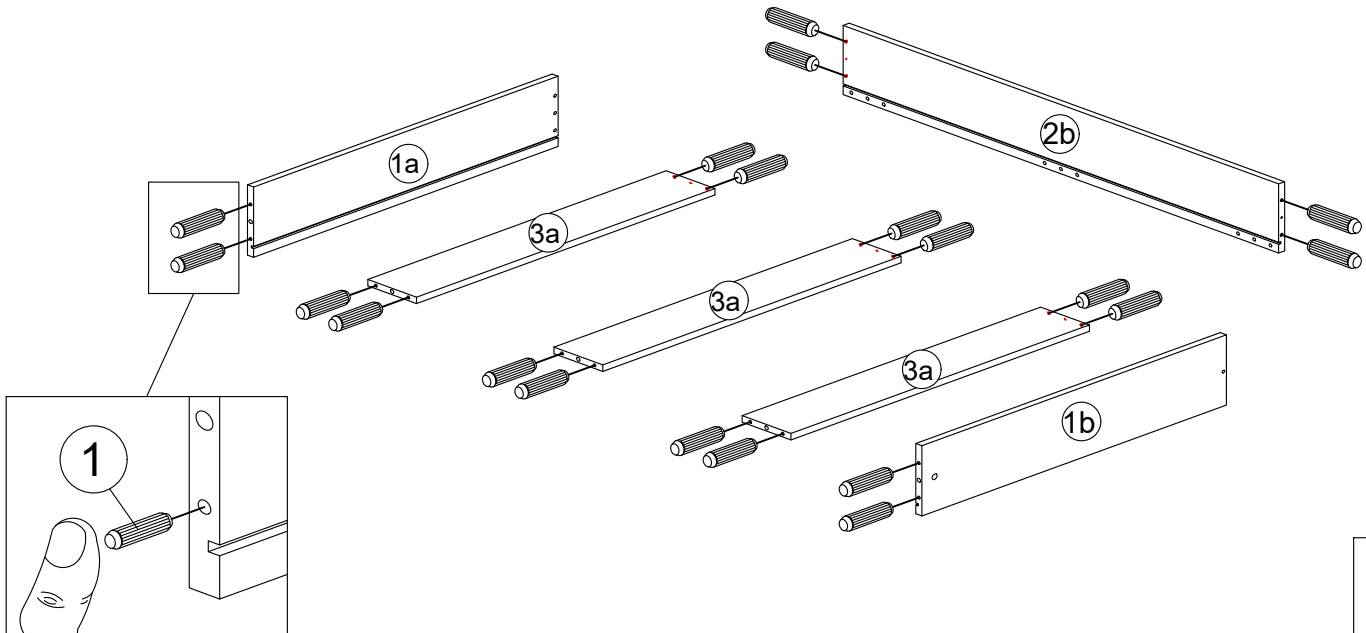


Required/Requis/Requerido

x40



1



x2

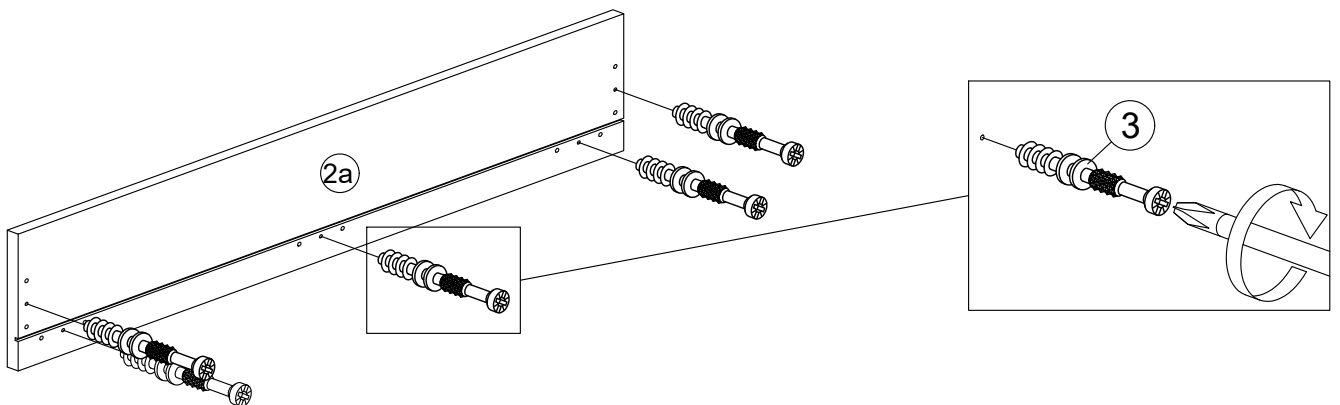
Step 2

Required/Requis/Requerido

x10



3



x2

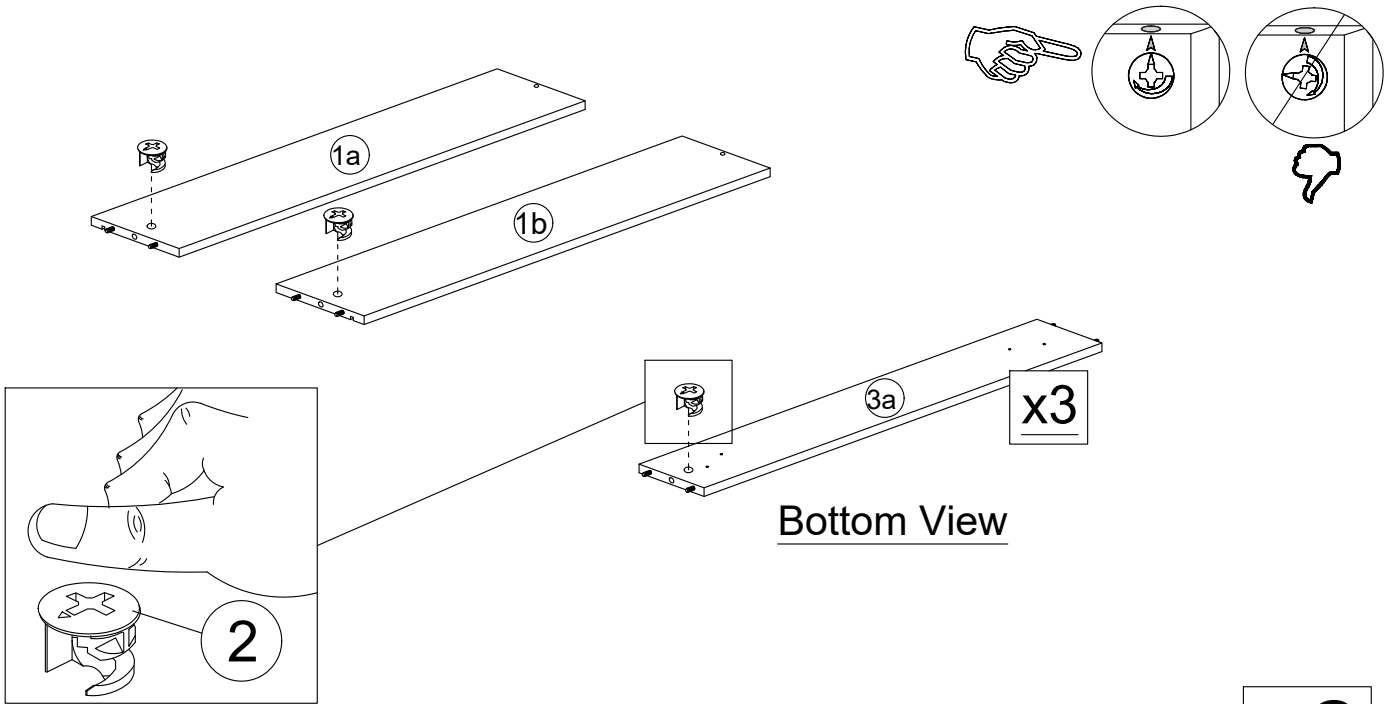
ASSEMBLY INSTRUCTION

Step 3

Required/Requis/Requerido

x10

 2

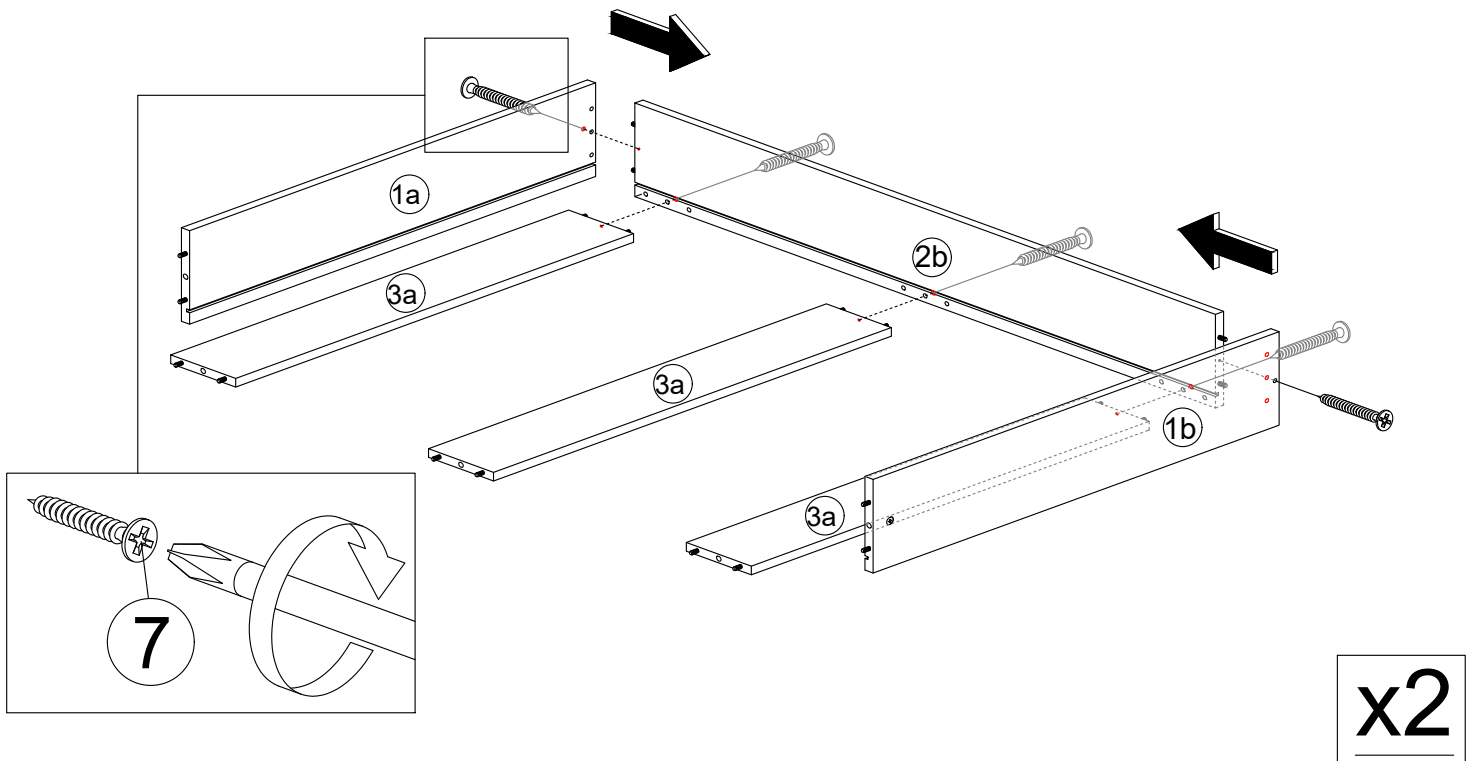


Step 4

Required/Requis/Requerido

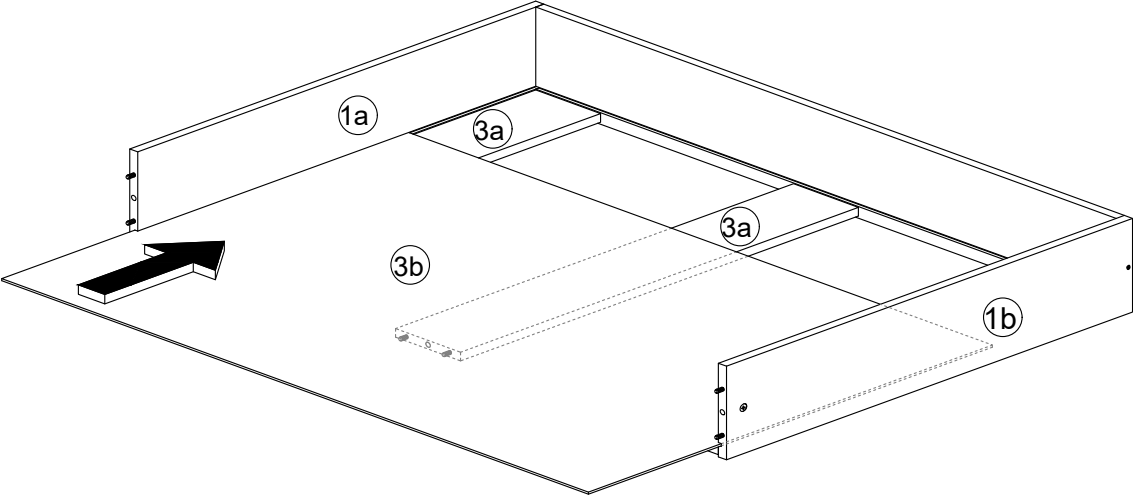
x10

 7



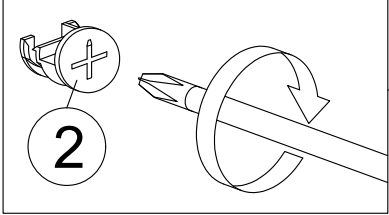
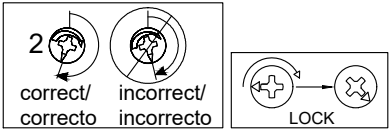
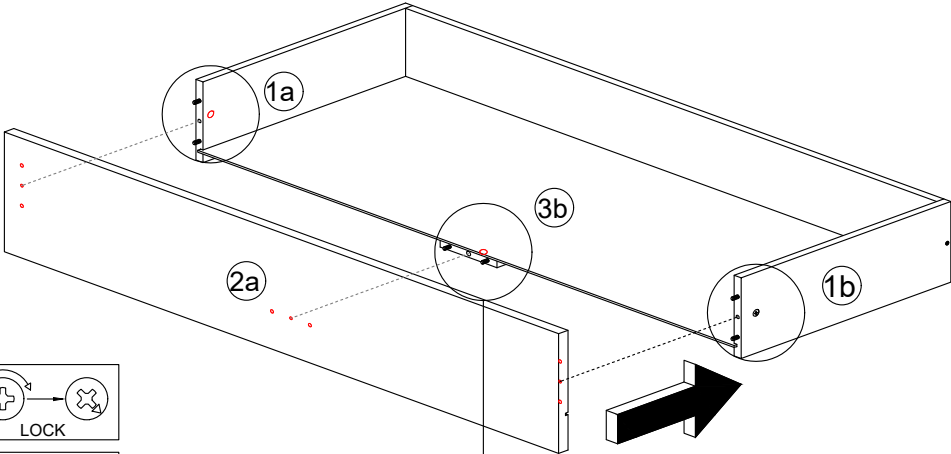
ASSEMBLY INSTRUCTION

Step 5



x2

Step 6



x2

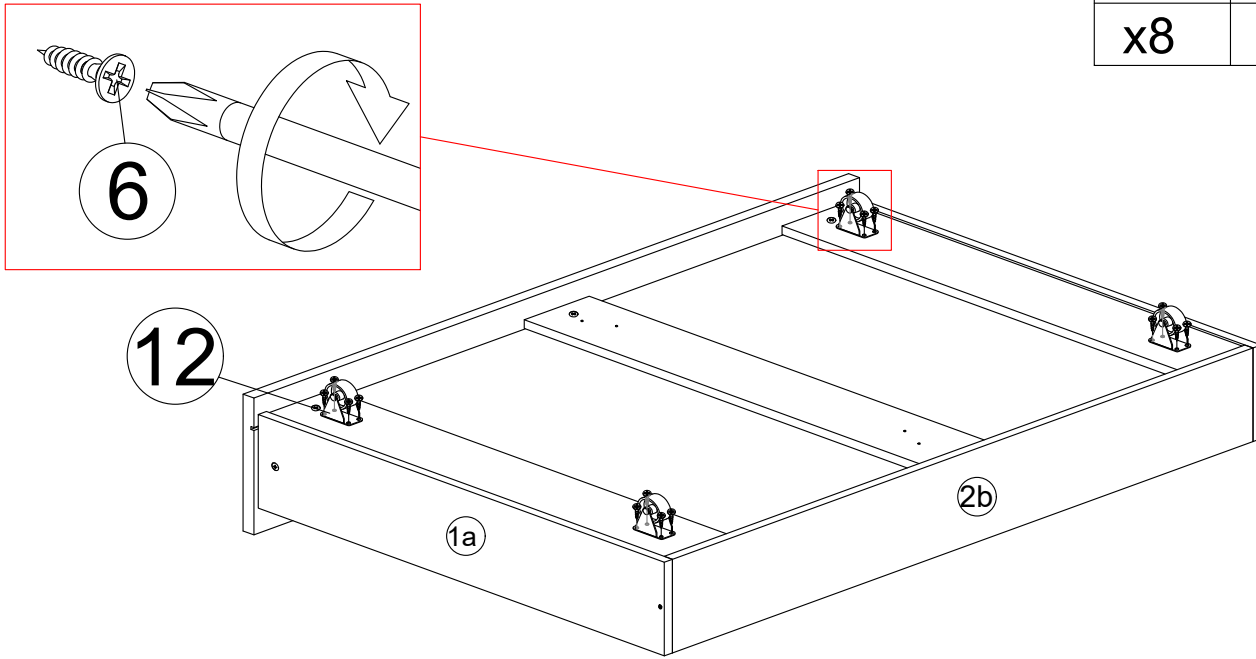
ASSEMBLY INSTRUCTION

Step 7

Required/Requis/Requerido

x32  6

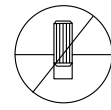
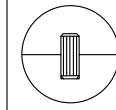
x8  12




Bottom View

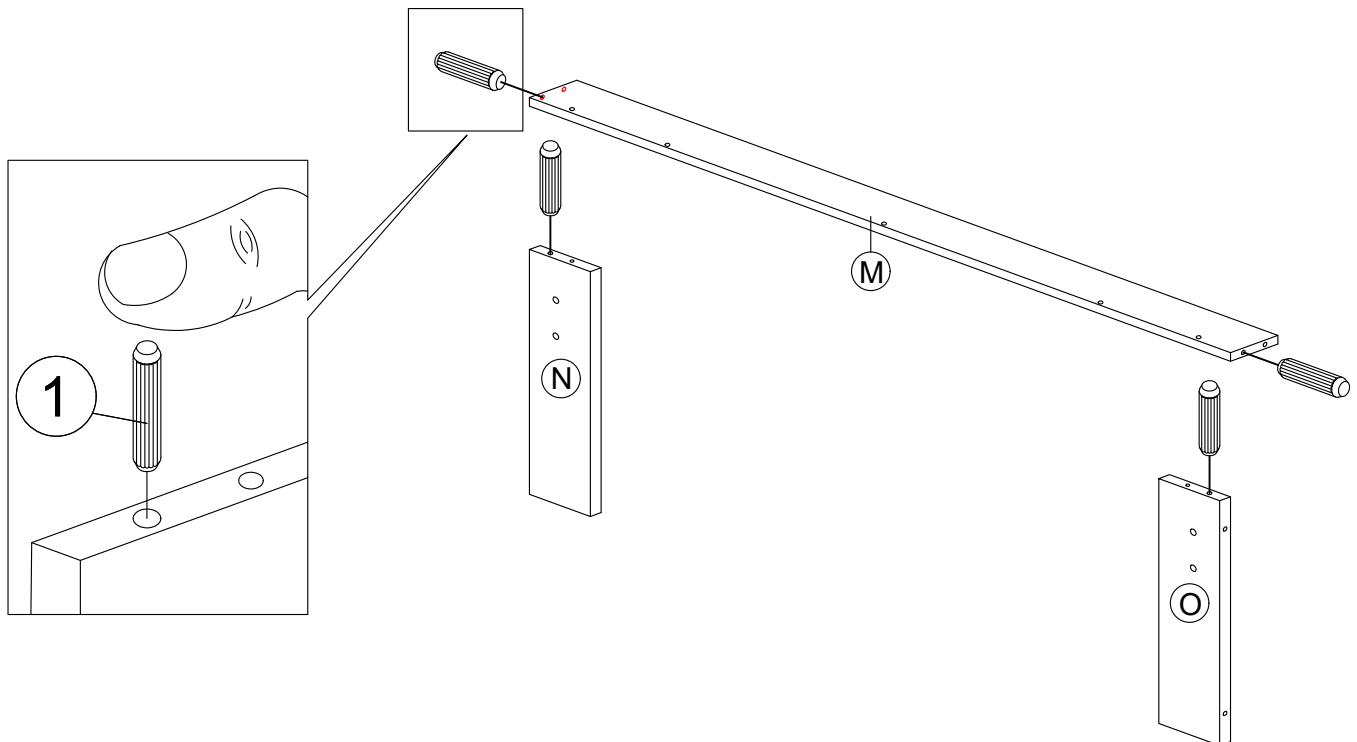
x2

Step 8



Required/Requis/Requerido

x4  1



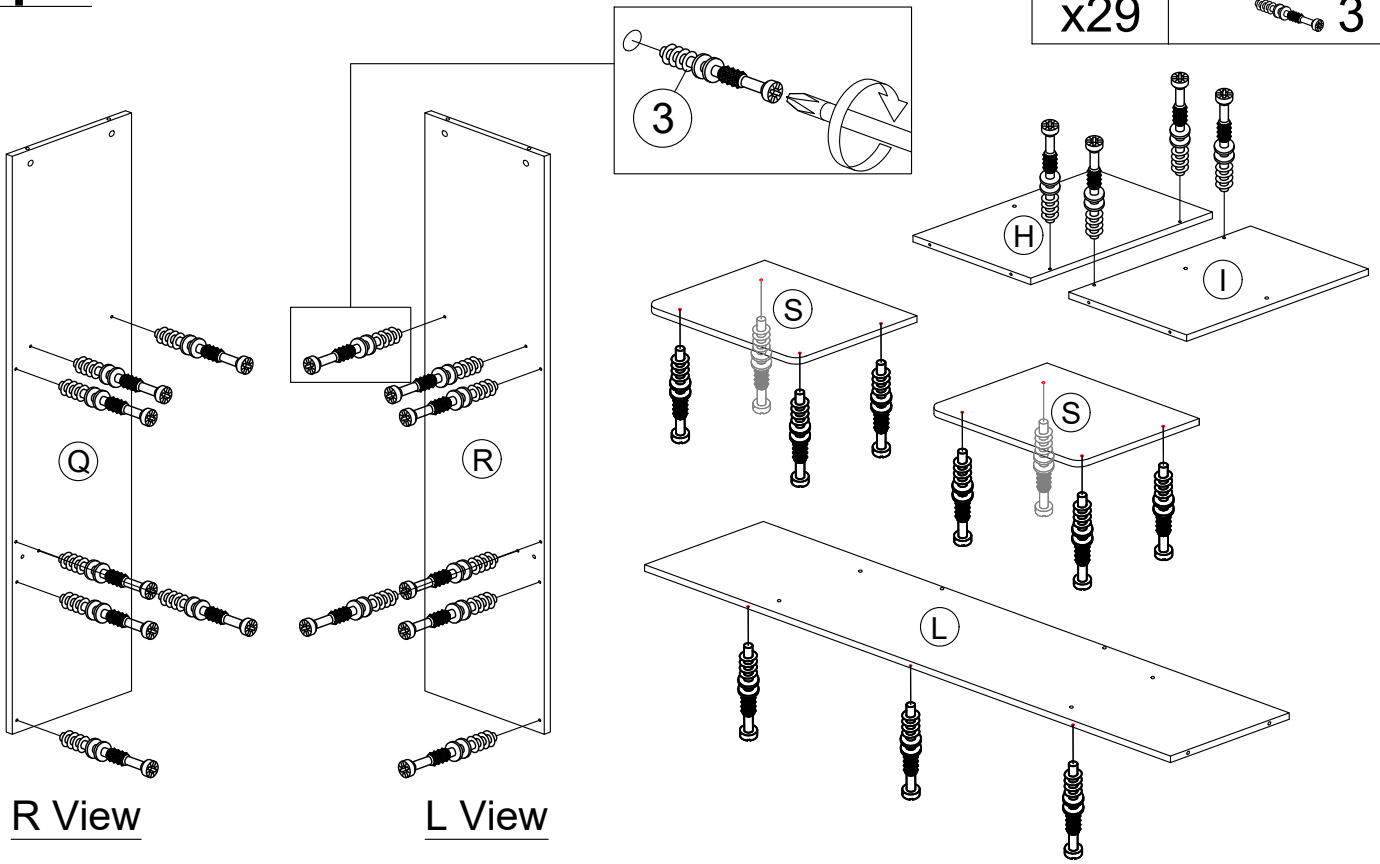
ASSEMBLY INSTRUCTION

Step 9

Required/Requis/Requerido

x29

 3



R View

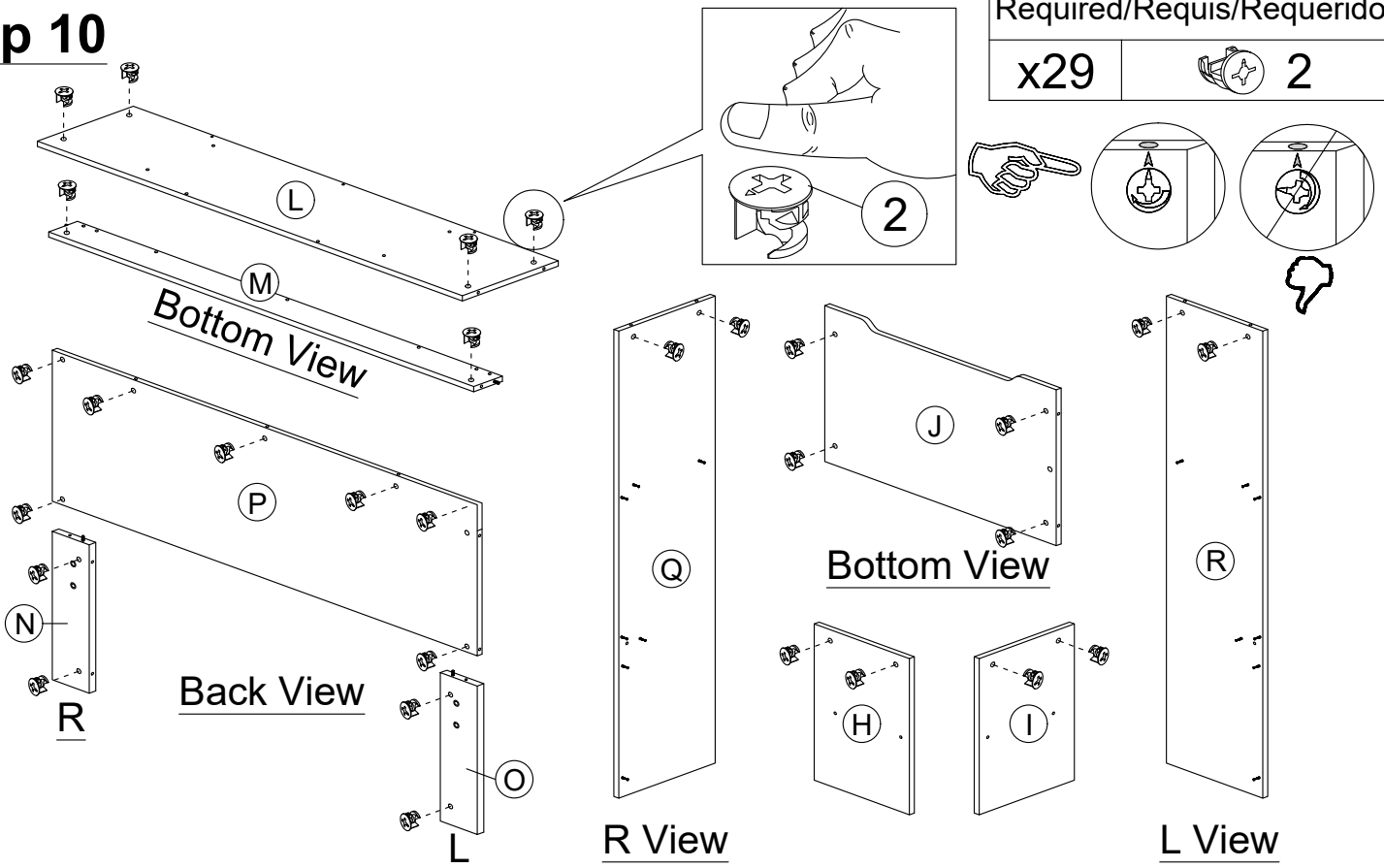
L View

Step 10

Required/Requis/Requerido

x29

 2



Bottom View

Back View

Bottom View


R View

L View

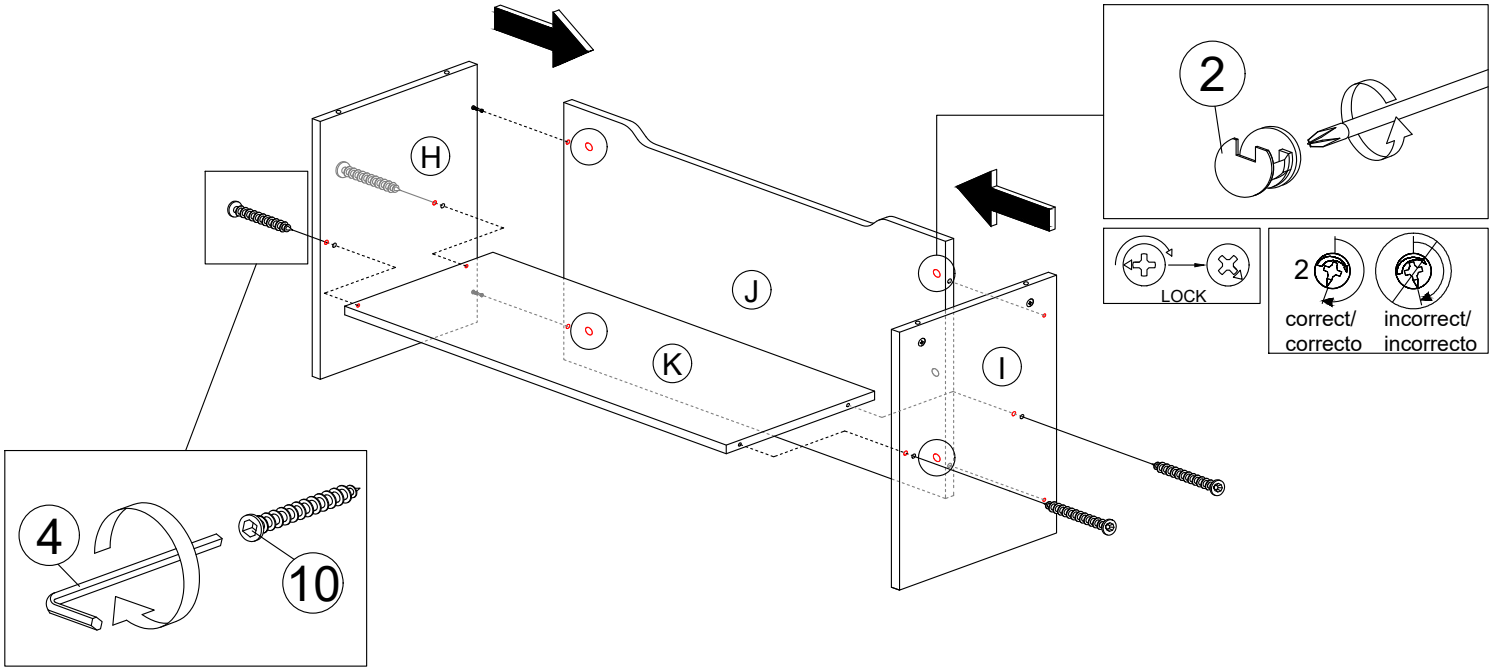
ASSEMBLY INSTRUCTION

Step 11

Required/Requis/Requerido

x1  4

x4  10

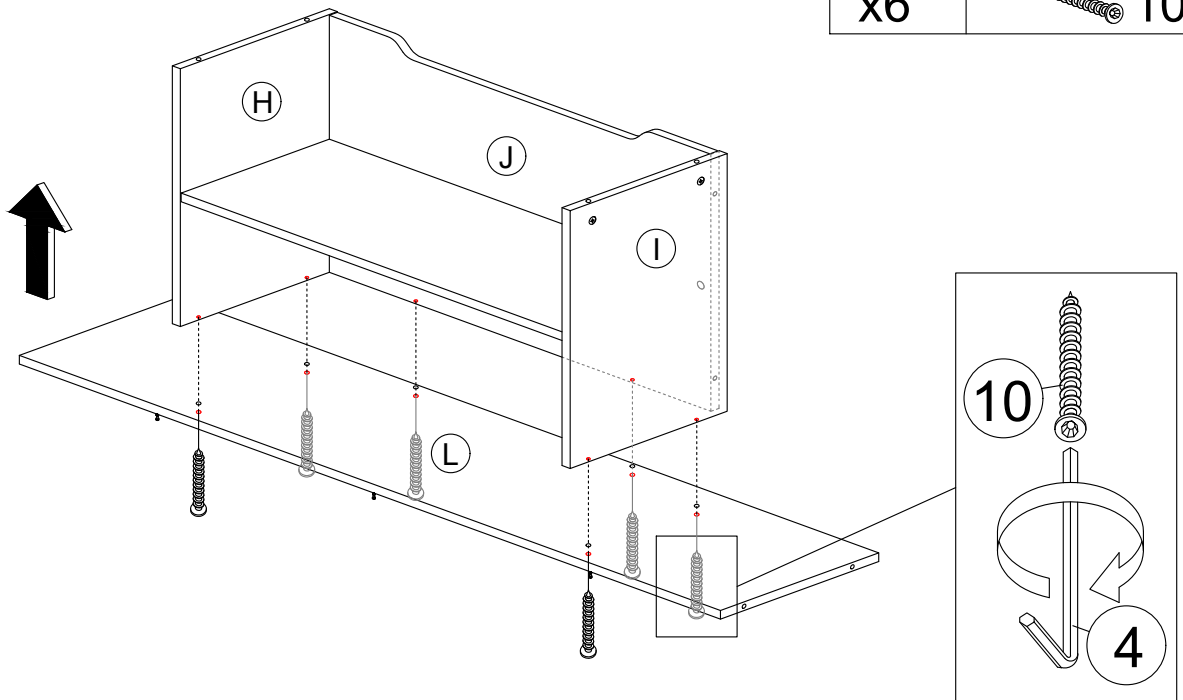


Step 12

Required/Requis/Requerido

x1  4

x6  10



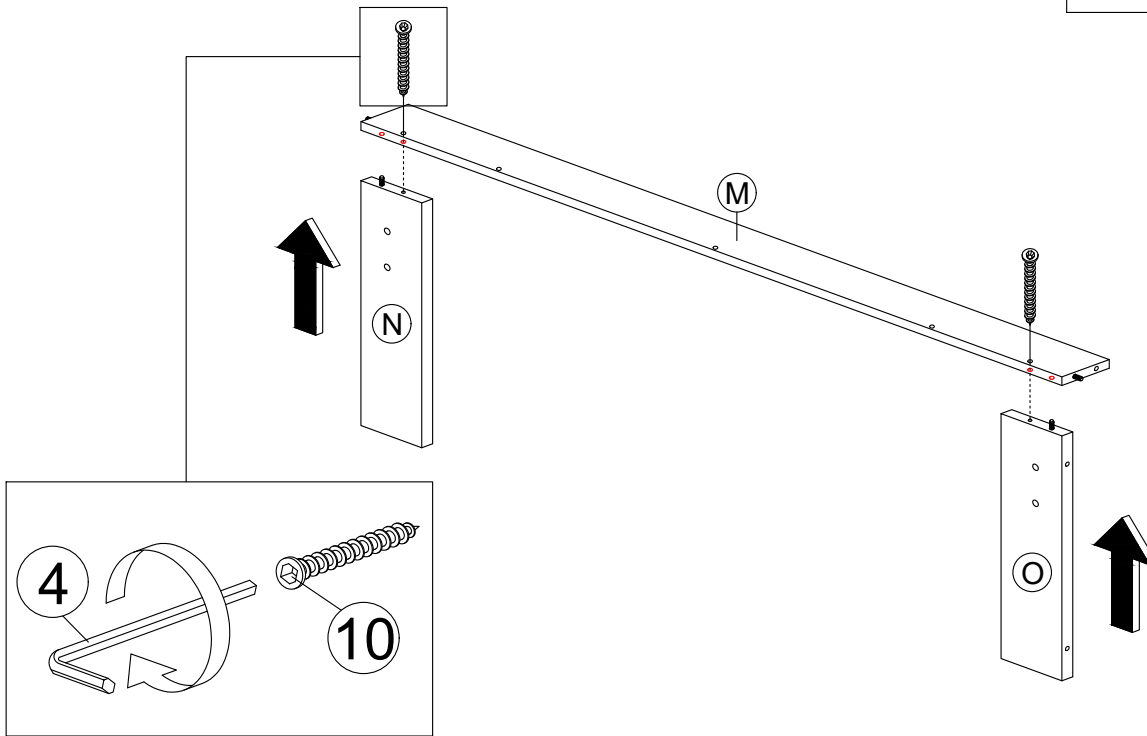
ASSEMBLY INSTRUCTION

Step 13

Required/Requis/Requerido

x1  4

x2  10

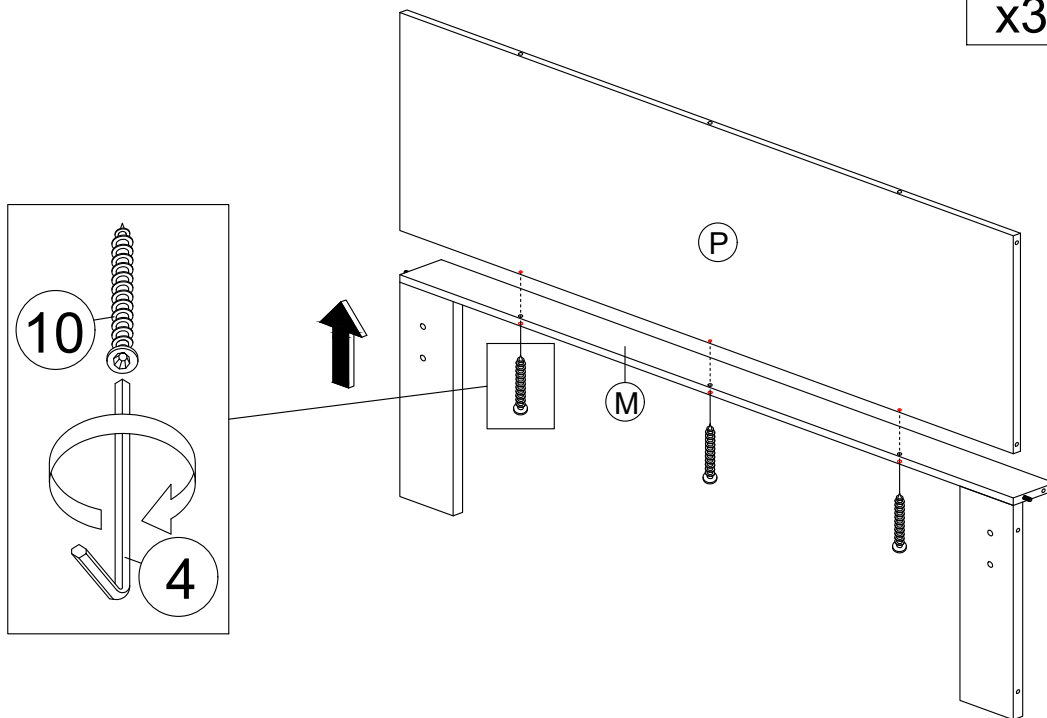


Step 14

Required/Requis/Requerido

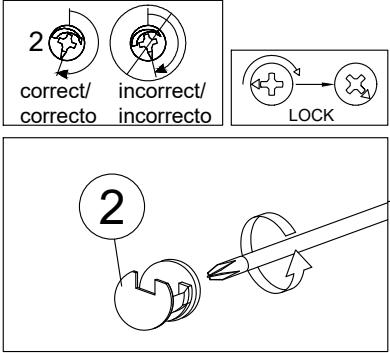
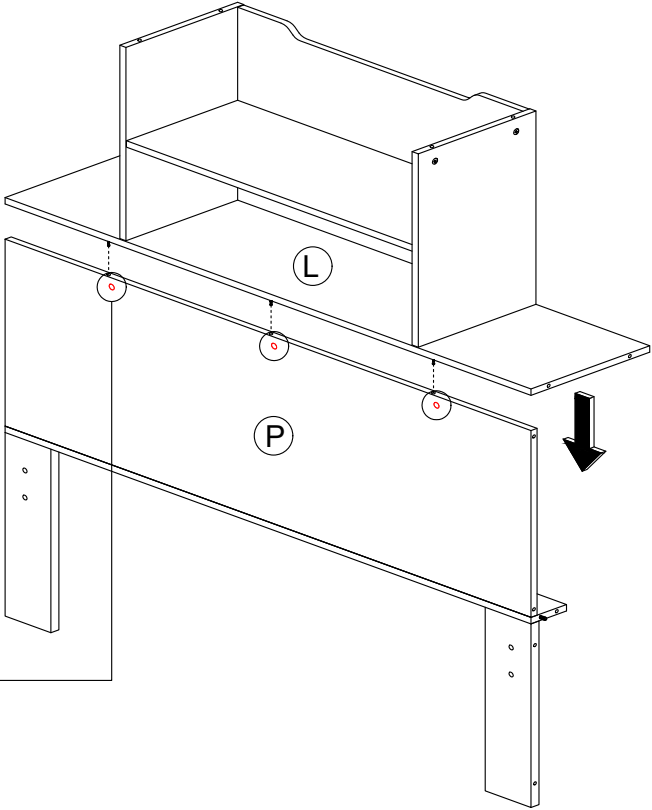
x1  4

x3  10

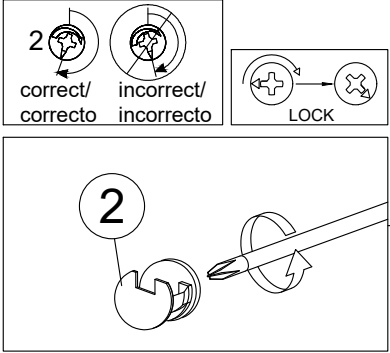
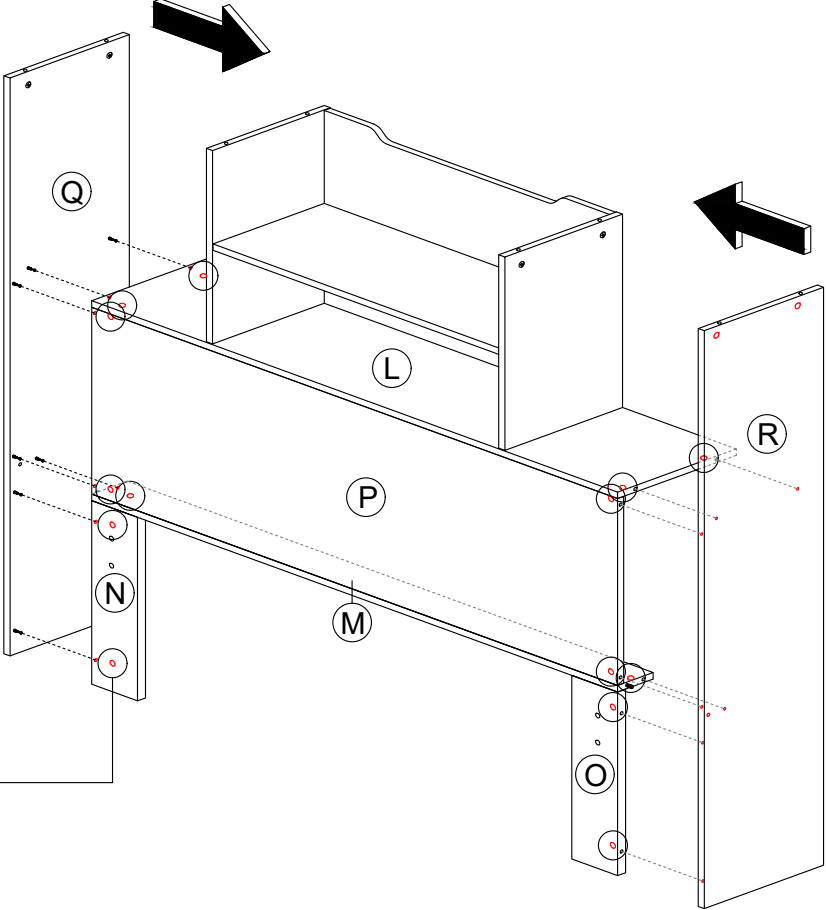


ASSEMBLY INSTRUCTION

Step 15

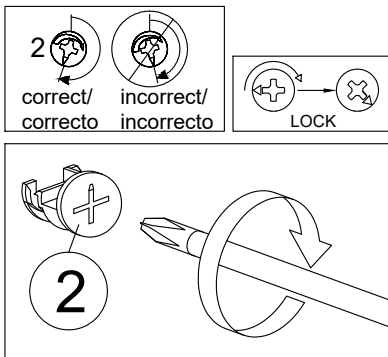
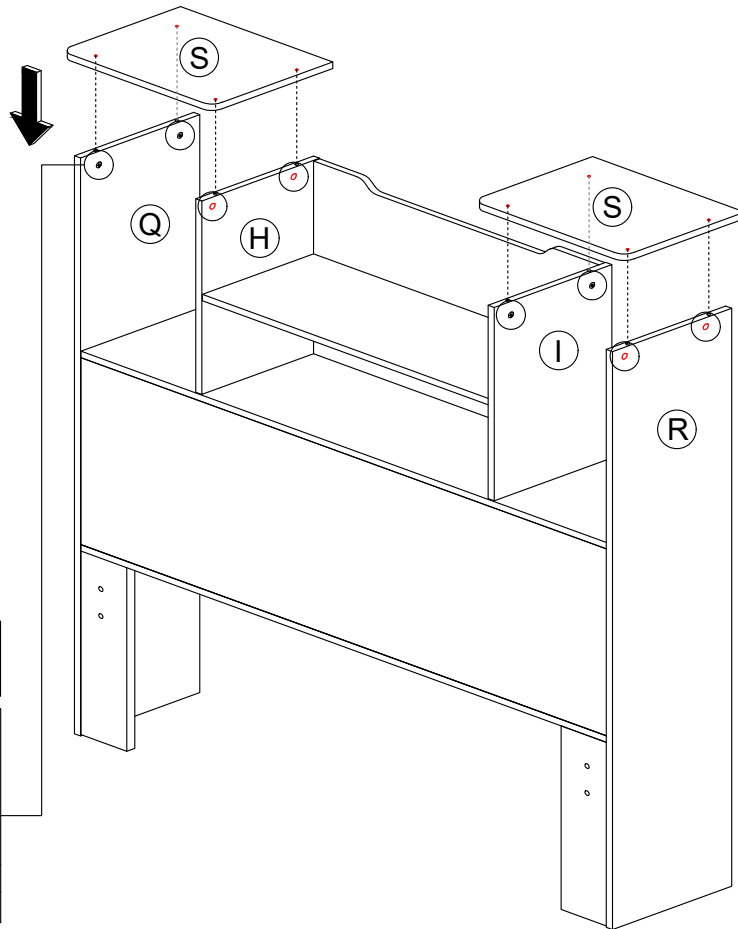


Step 16



ASSEMBLY INSTRUCTION

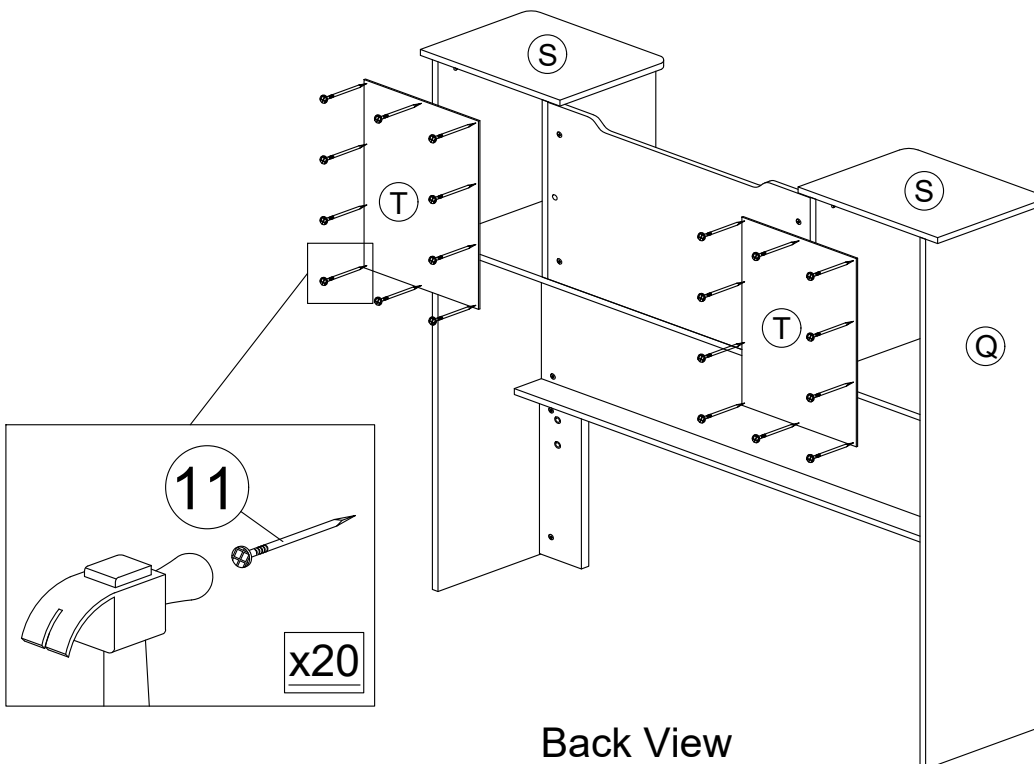
Step 17



Step 18

Required/Requis/Requerido

x20



Back View

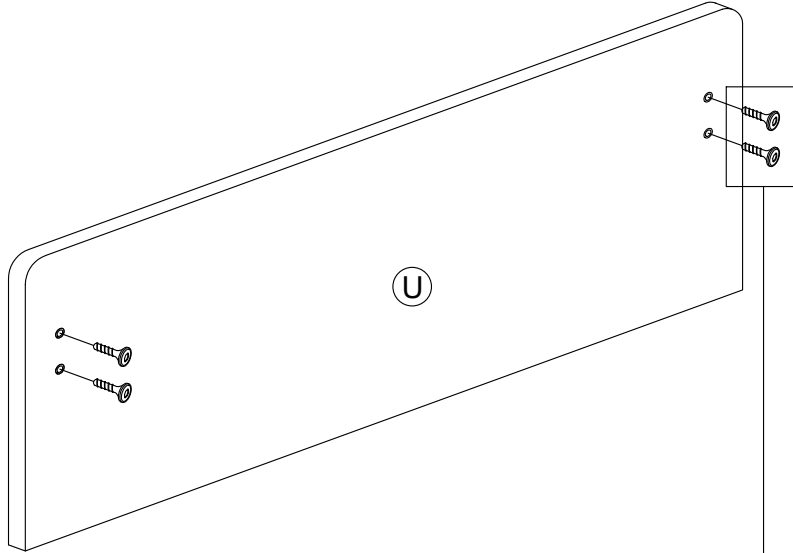
ASSEMBLY INSTRUCTION

Step 19

Required/Requis/Requerido

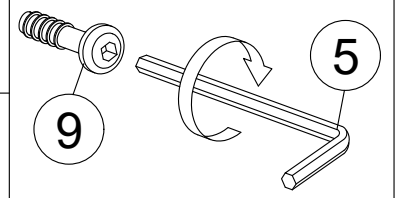
x1  5

x4  9



Rear View

Don't Tighten until end, please left 2-5mm distance for next step assembly part



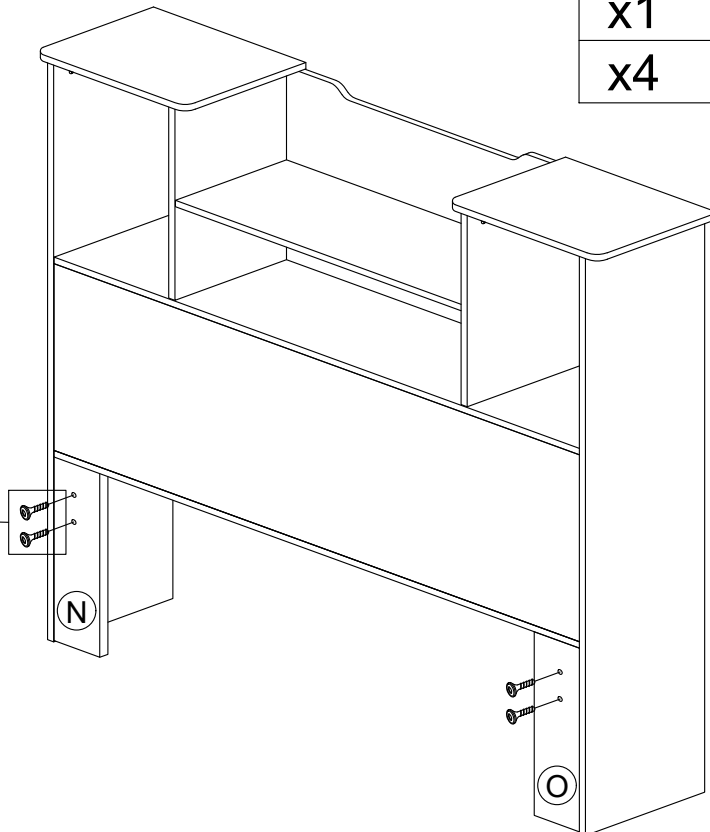
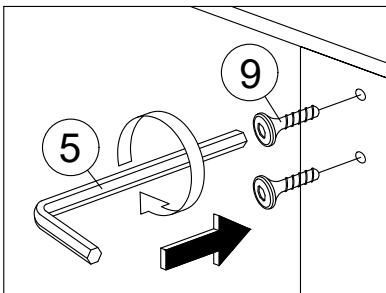
Step 20

Required/Requis/Requerido

x1  5

x4  9



Don't Tighten until end, please left 2-5mm distance for next step assembly part

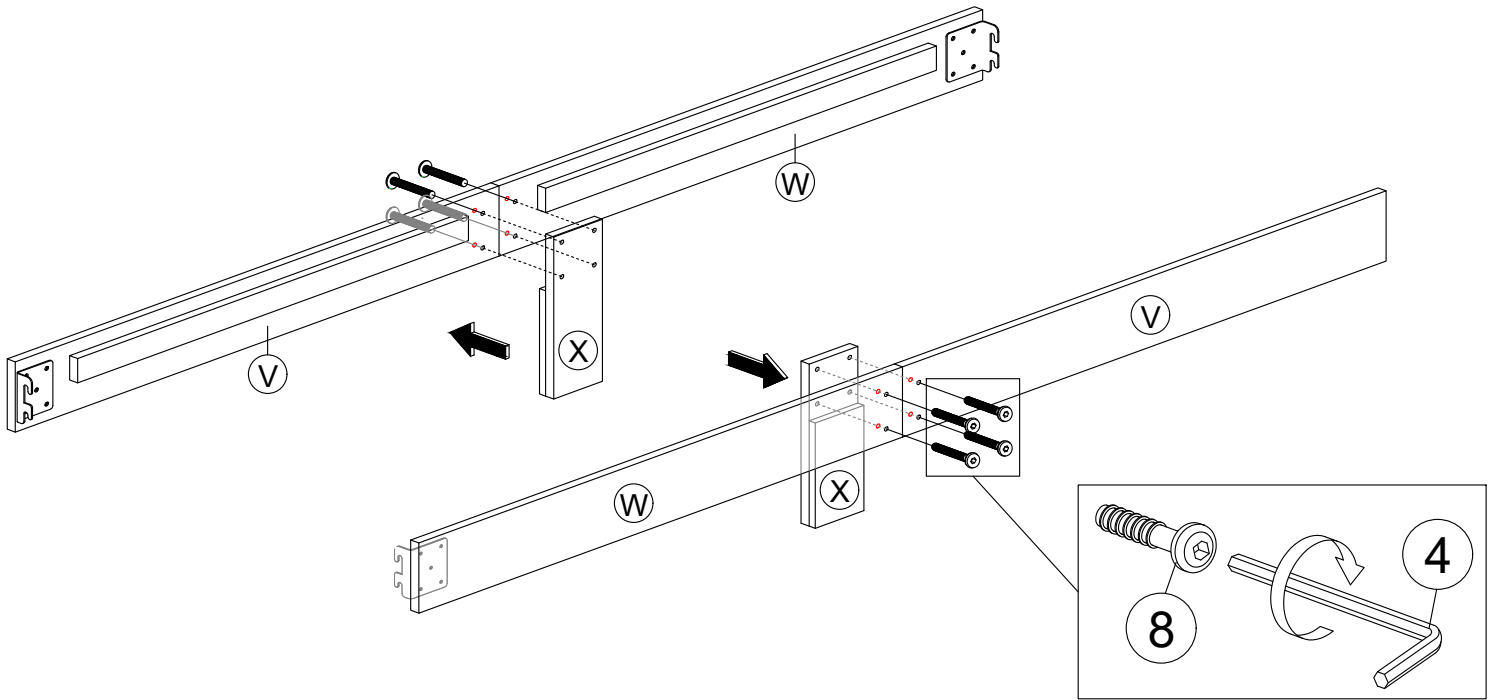


ASSEMBLY INSTRUCTION

Step 21


Required/Requis/Requerido

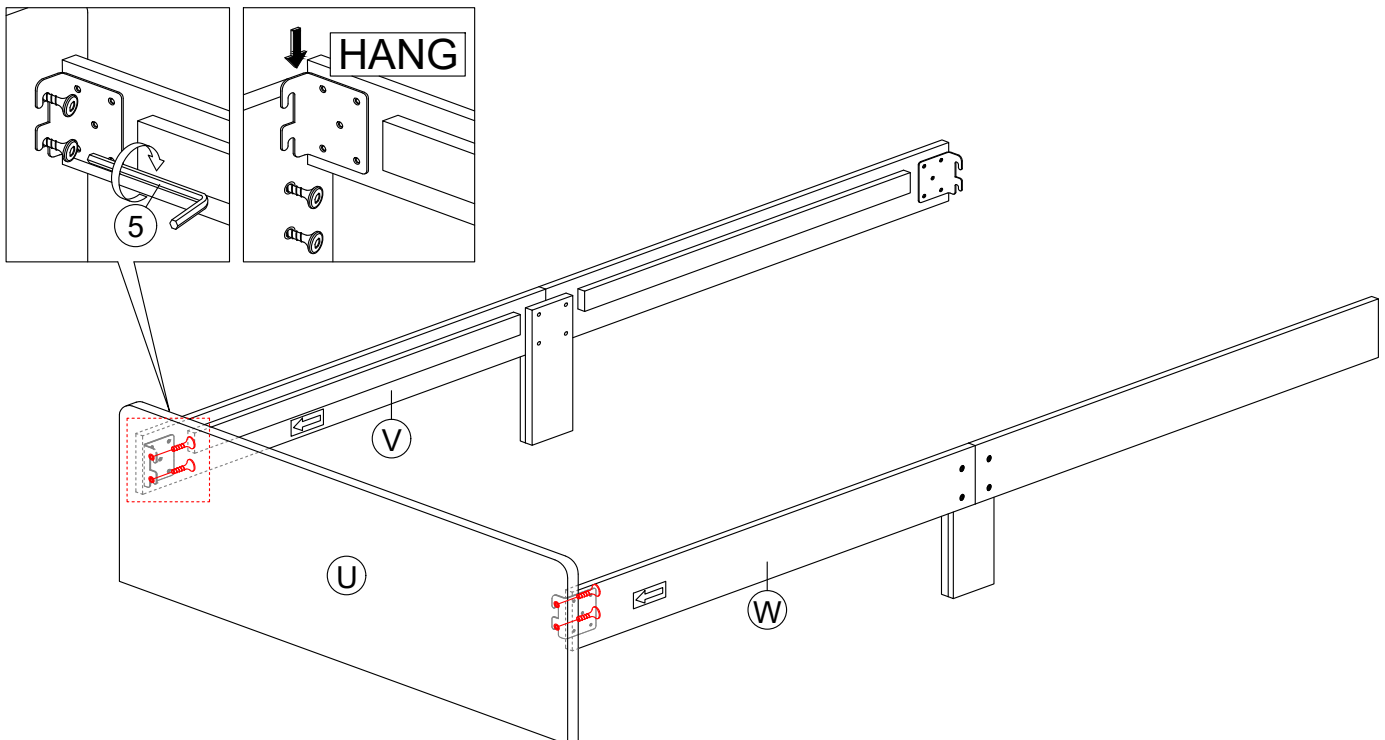
x1		4
x8		8



Step 22

Required/Requis/Requerido

x1		5
----	---	---

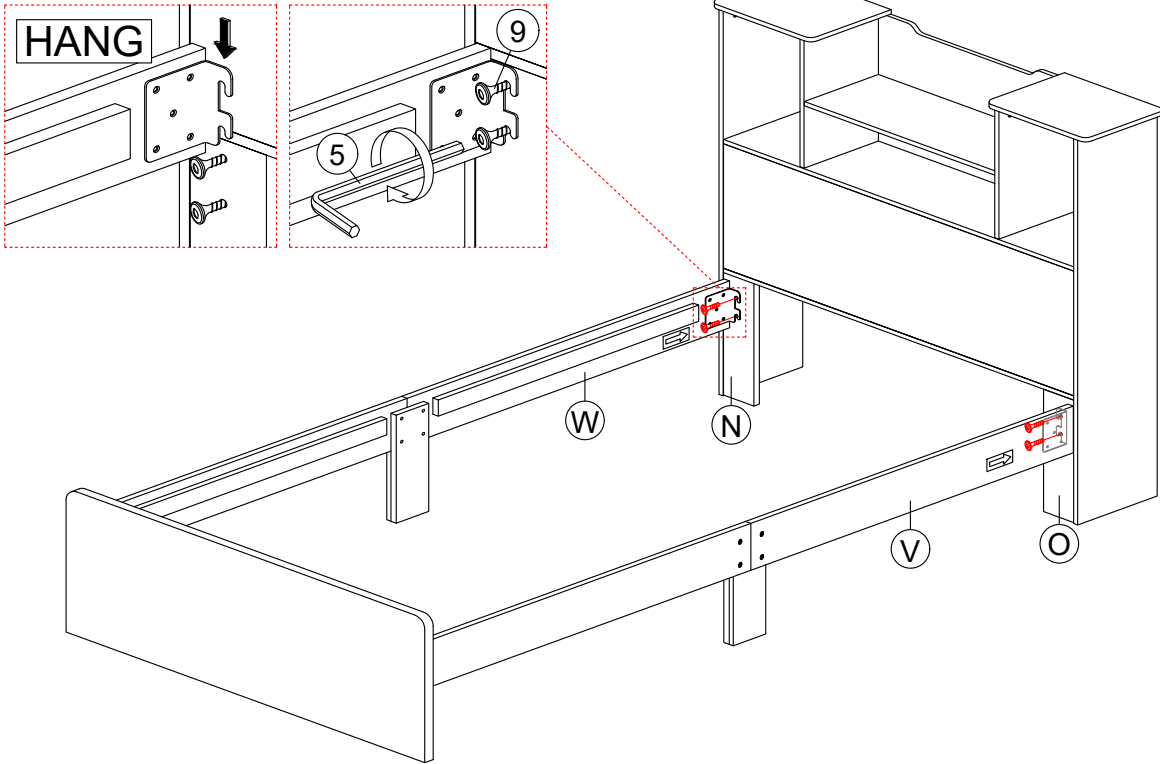


ASSEMBLY INSTRUCTION

Step 23

Required/Requis/Requerido

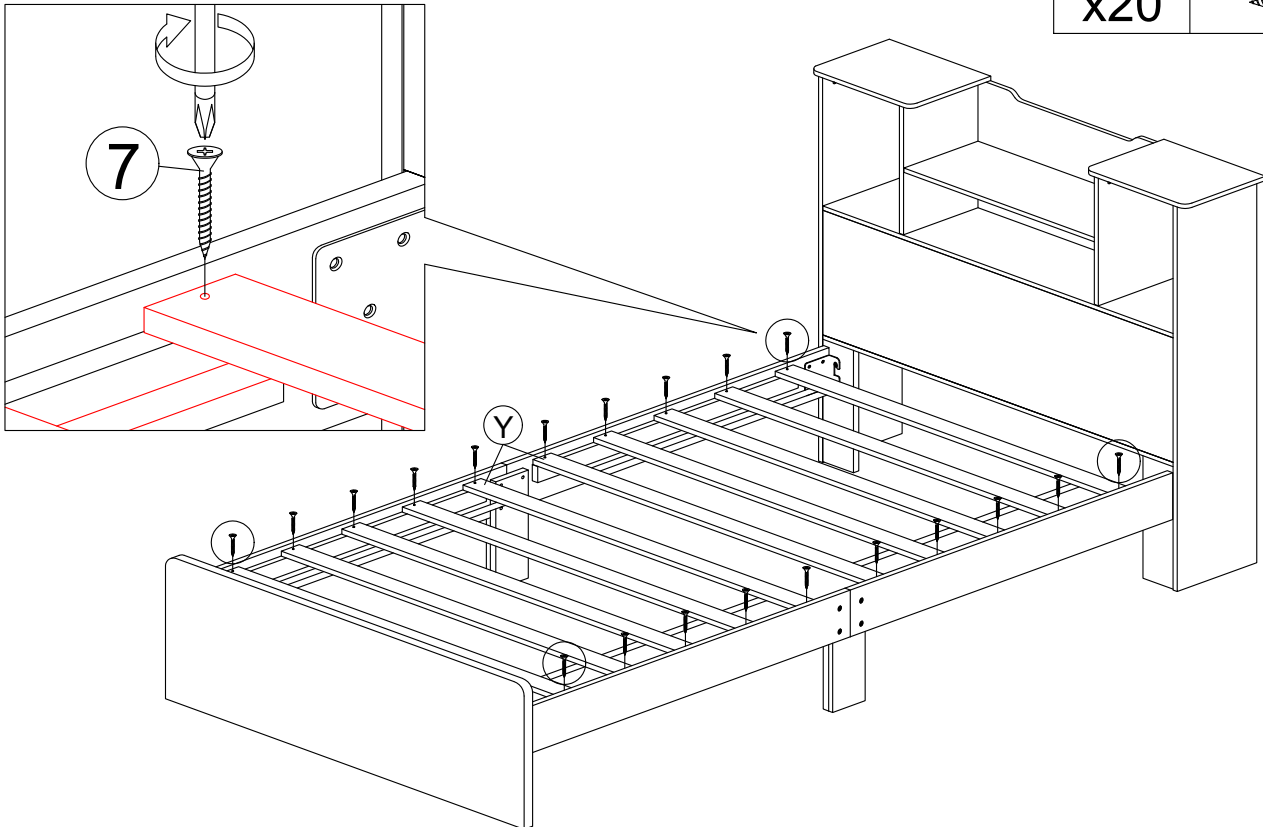
x1



Step 24

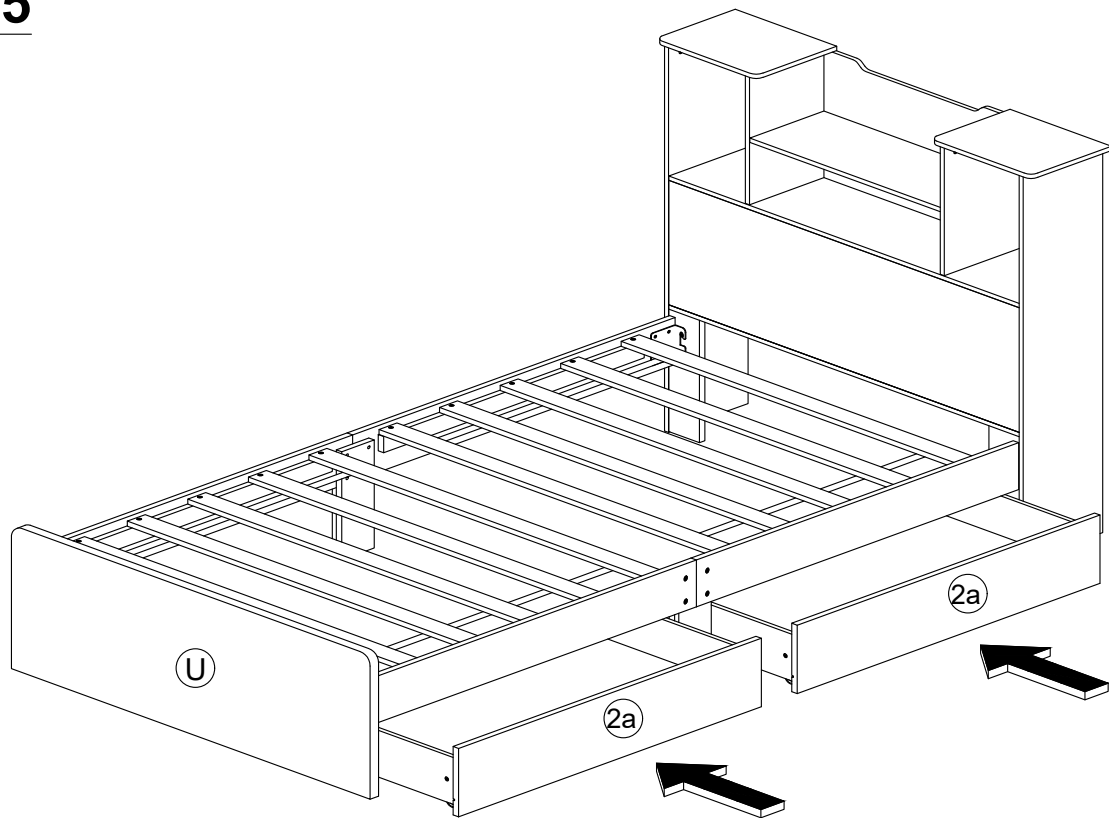
Required/Requis/Requerido

x20



ASSEMBLY INSTRUCTION

Step 25



Complete

