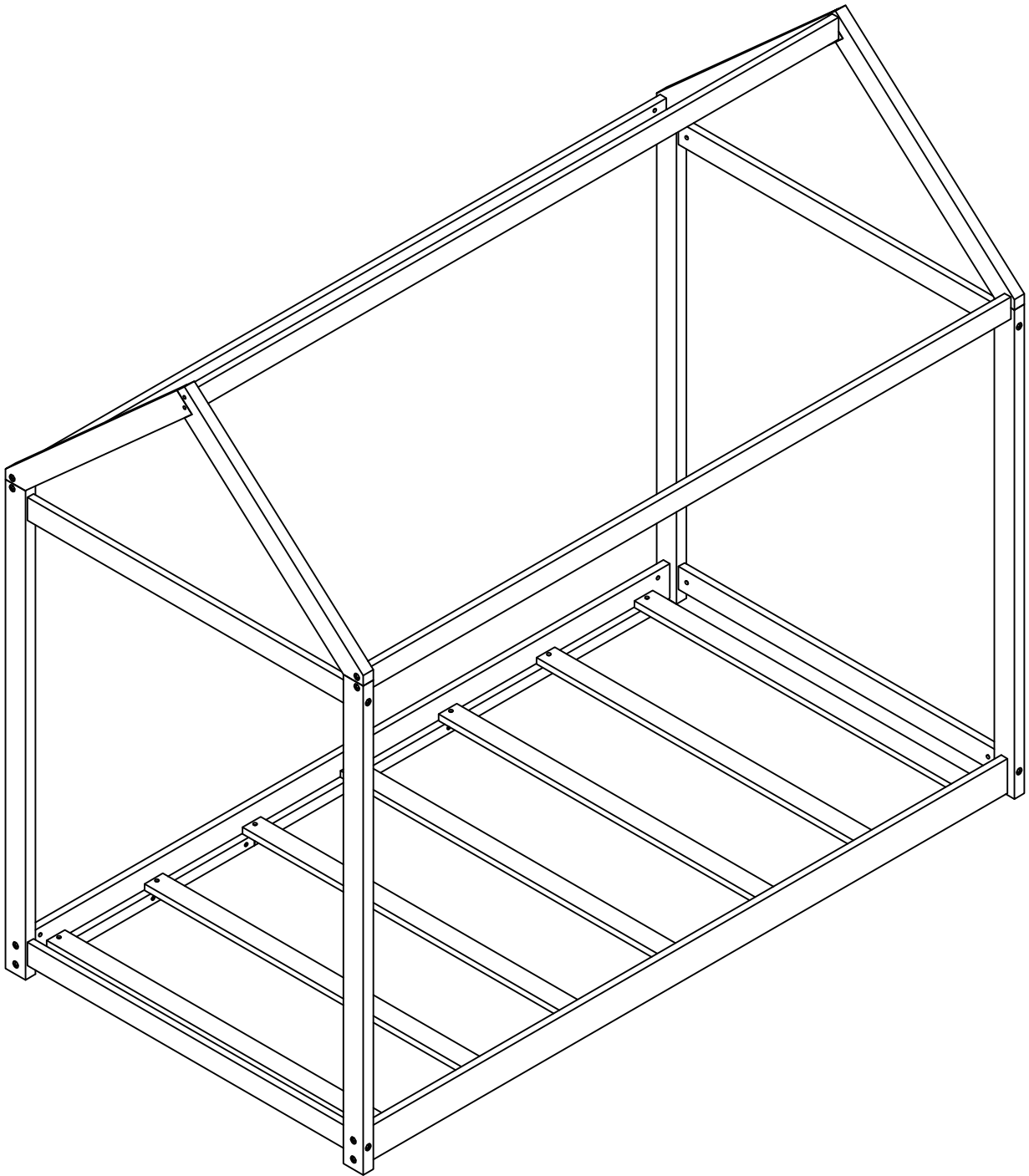
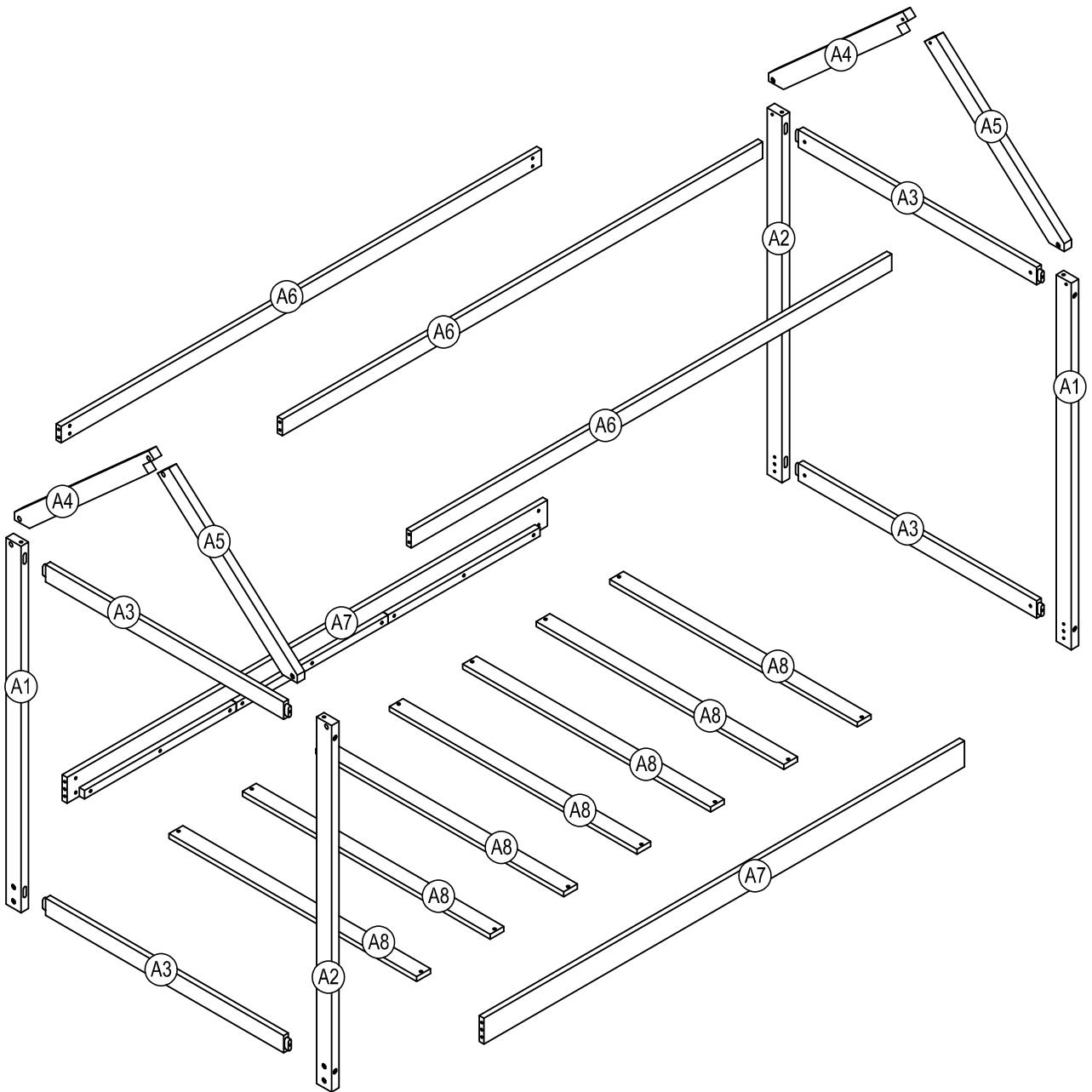


# ASSEMBLY INSTRUCTION

SKU CODE: (WF197557)



# ASSEMBLY INSTRUCTION



# Part List & Hardware List ( WF197557)

A1



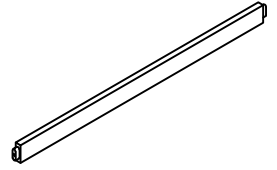
Leg - 2pcs

A2



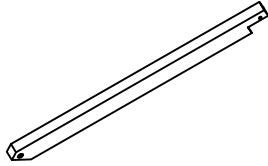
Leg - 2pcs

A3



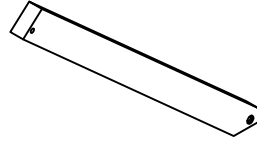
WoodBar - 4pcs

A4



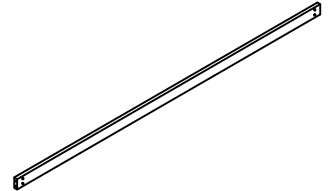
WoodBar - 2pcs

A5



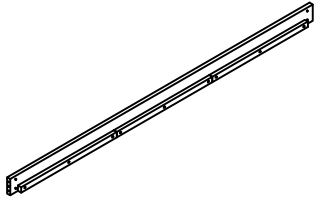
WoodBar - 2pcs

A6



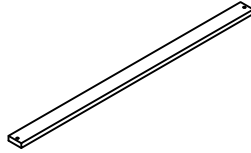
WoodBar - 3pcs

A7



Side Rails - 2pcs

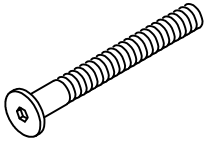
A8



Slats - 7pcs

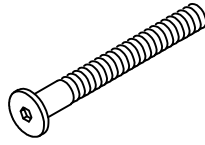
# Hardware List ( WF197557 )

1



Ø1/4" x 80 mm  
Hex-Head bolts: 20 pcs

2



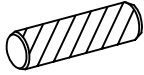
Ø1/4" x 100 mm  
Hex-Head bolts: 8 pcs

3



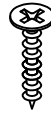
Ø1/4" x 13 mm  
Horizontal-Hole bolts 28 pcs

4



Ø10 x 40 mm  
Wood dowel 8pcs

5

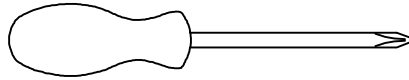


M4 x 30 mm  
Wood Screws 14pcs

6

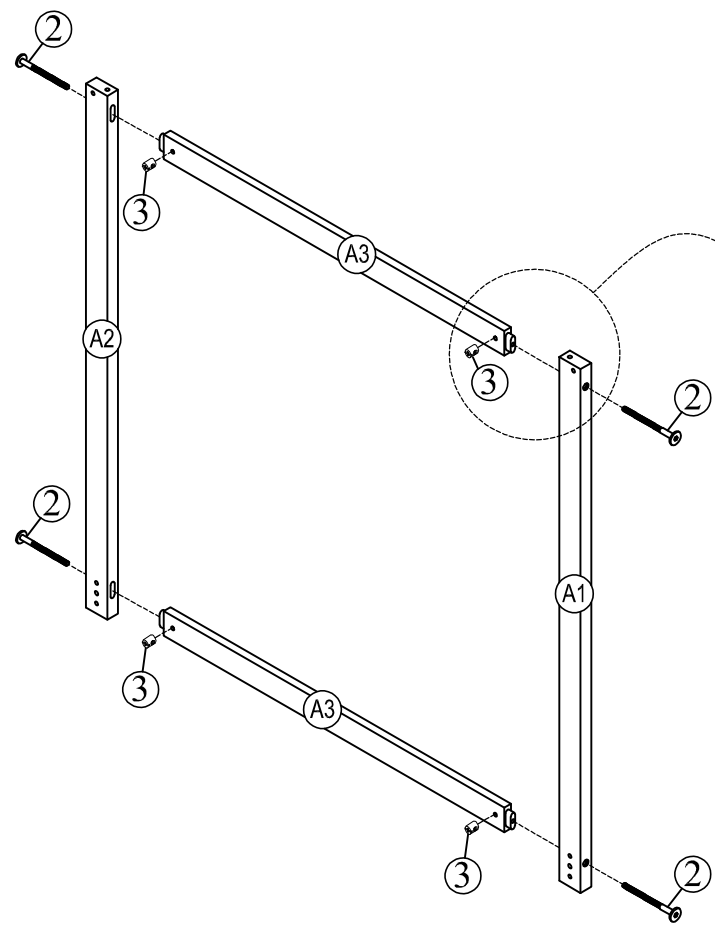


Allen Key 1pc



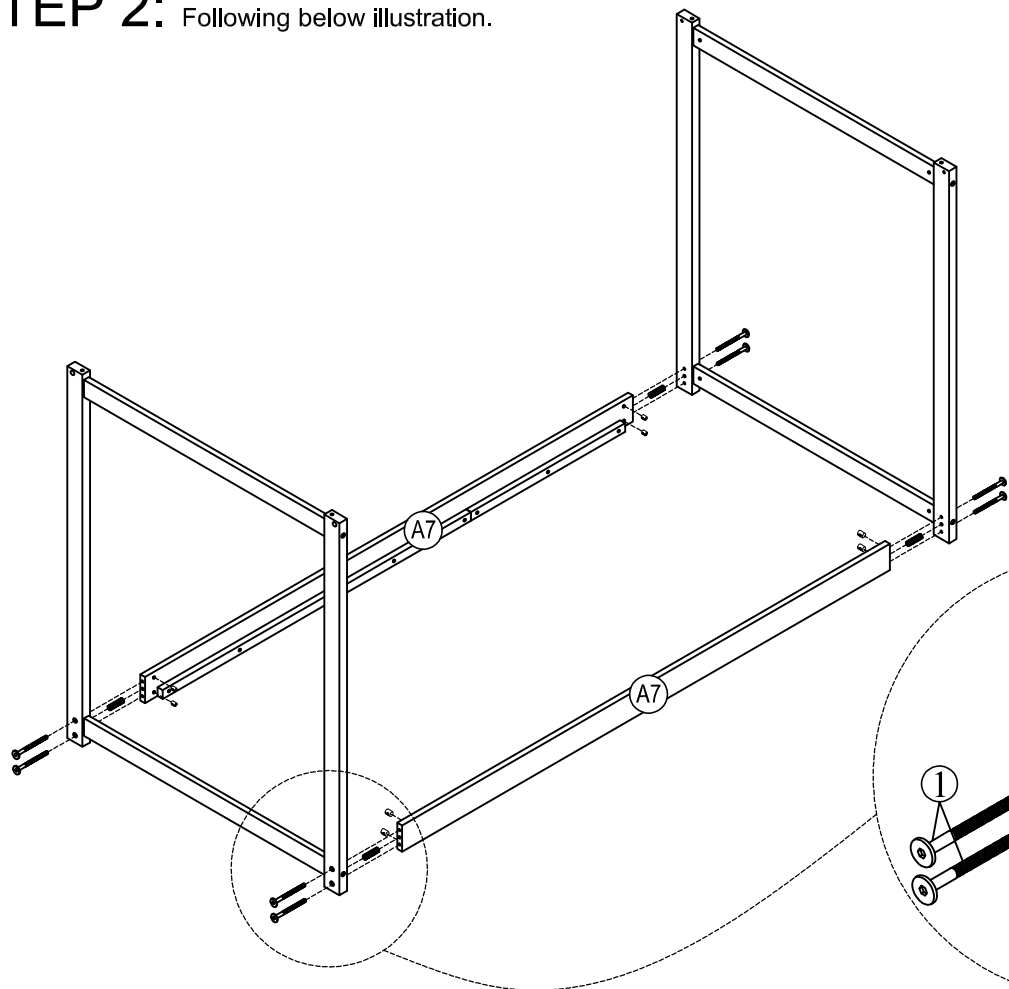
**Assembly Tools Required (Not Included)**

**STEP 1 x 2:** Following below illustration.



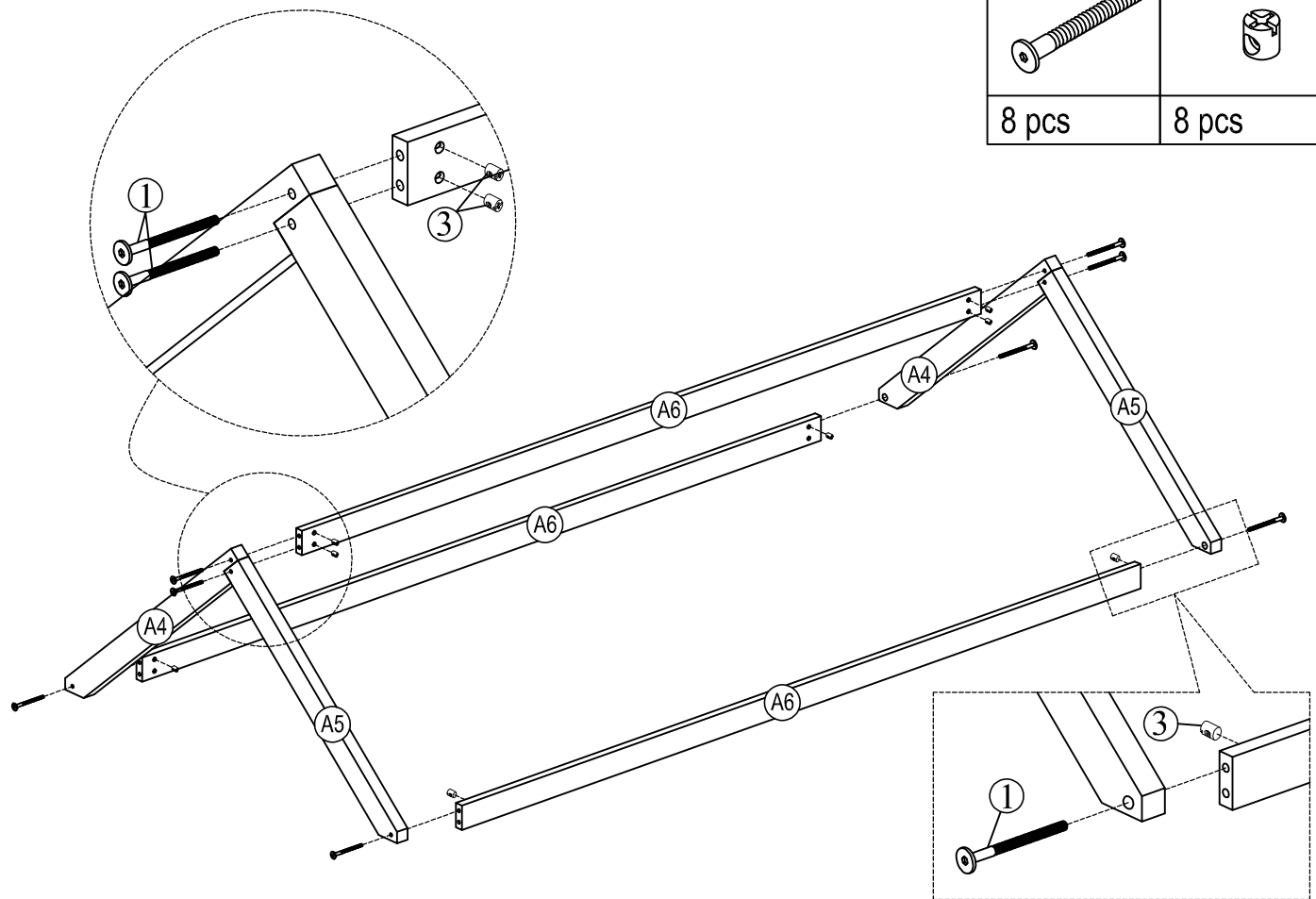
2	3
8 pcs	8 pcs

**STEP 2:** Following below illustration.

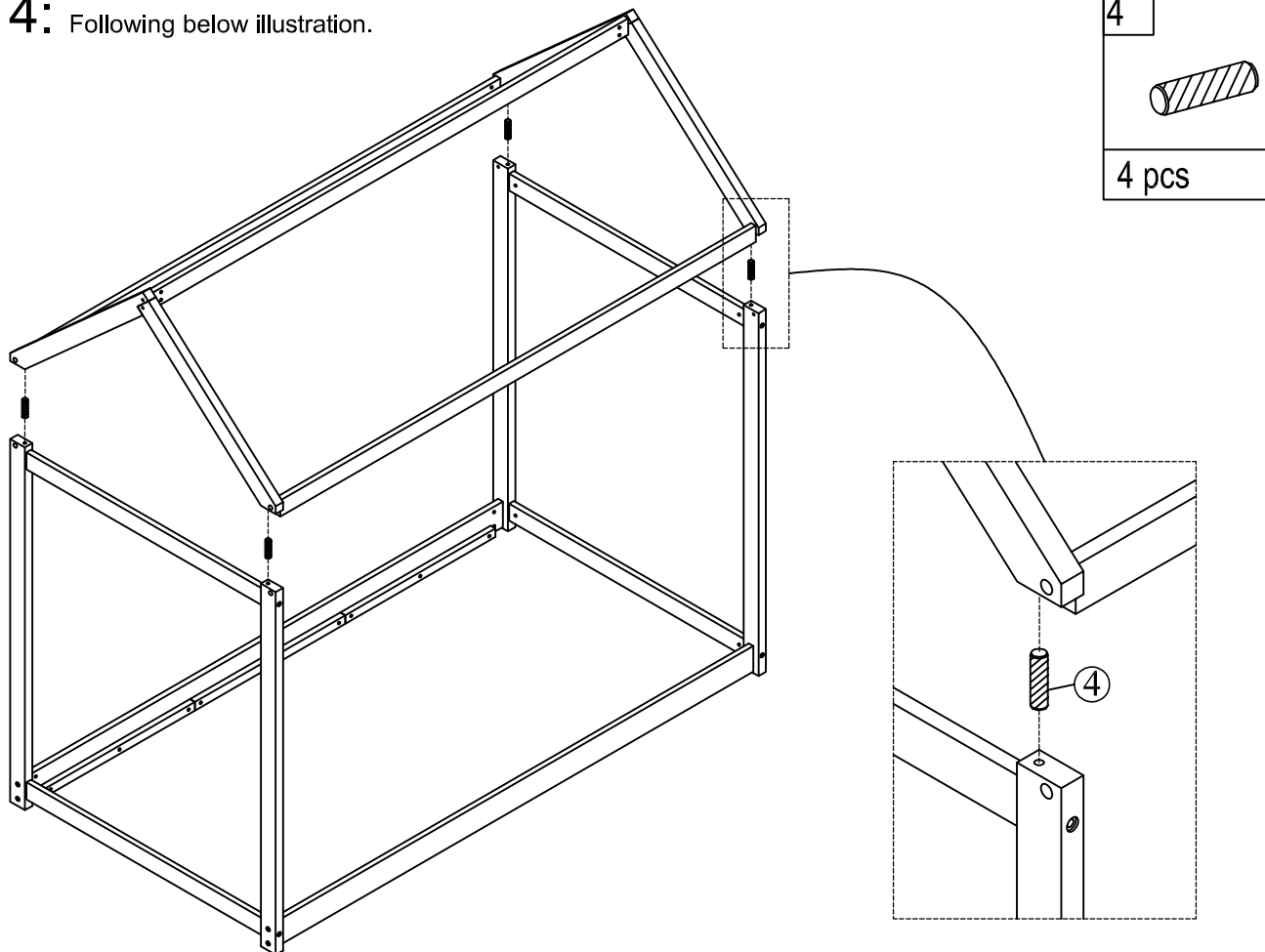


1	3
8 pcs	8 pcs
	4
	4 pcs

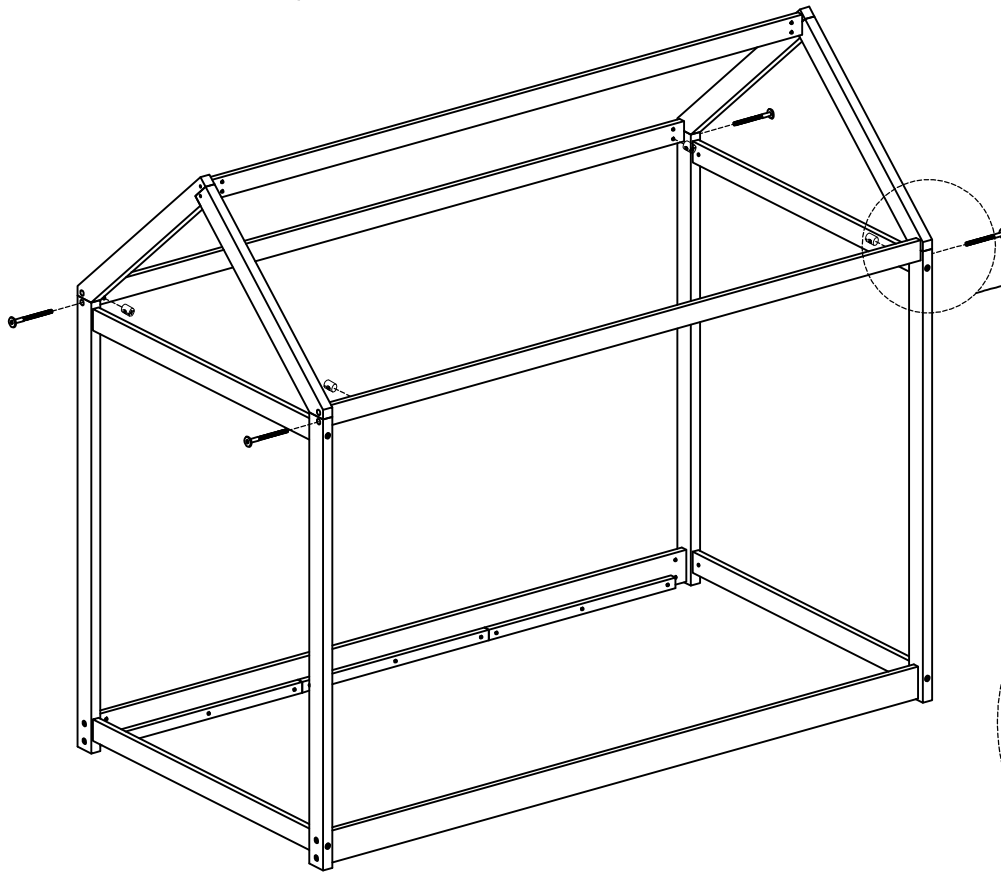
### STEP 3: Following below illustration.

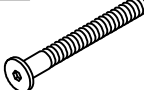



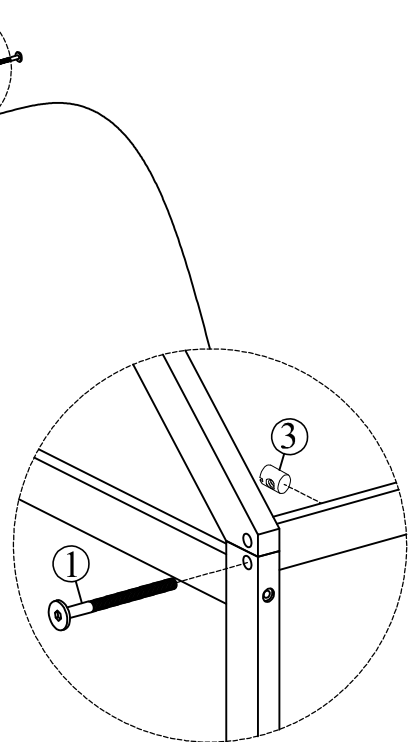
### STEP 4: Following below illustration.



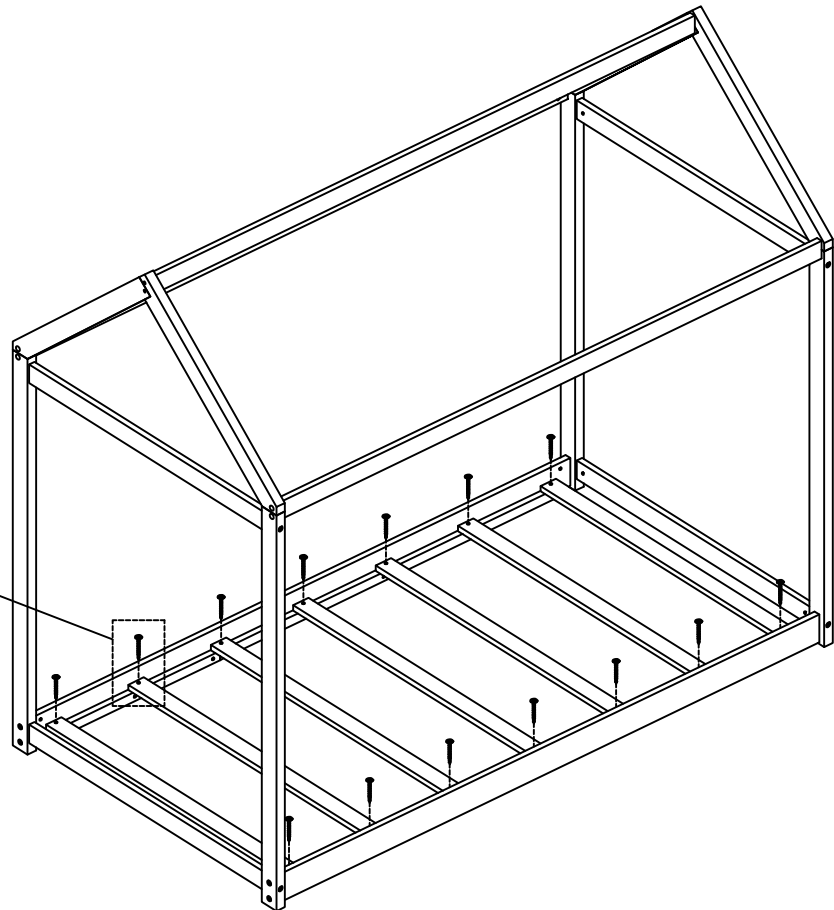
# STEP 5: Following below illustration.




1	3
	
4 pcs	4 pcs



# STEP 6: Following below illustration.



5

14 pcs

