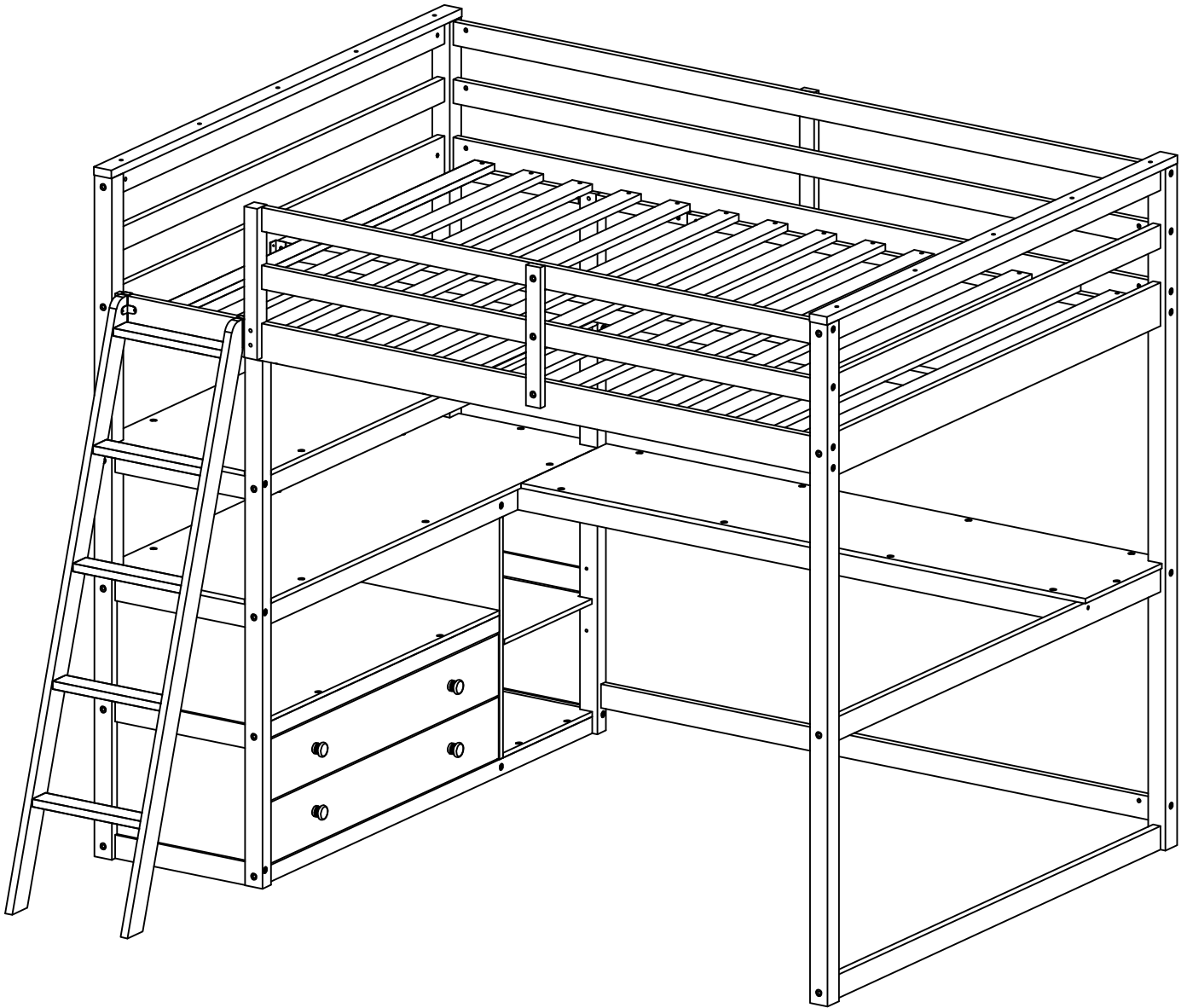


ASSEMBLY INSTRUCTION
SKU CODE: (WF314041-WF314042-WF314044)



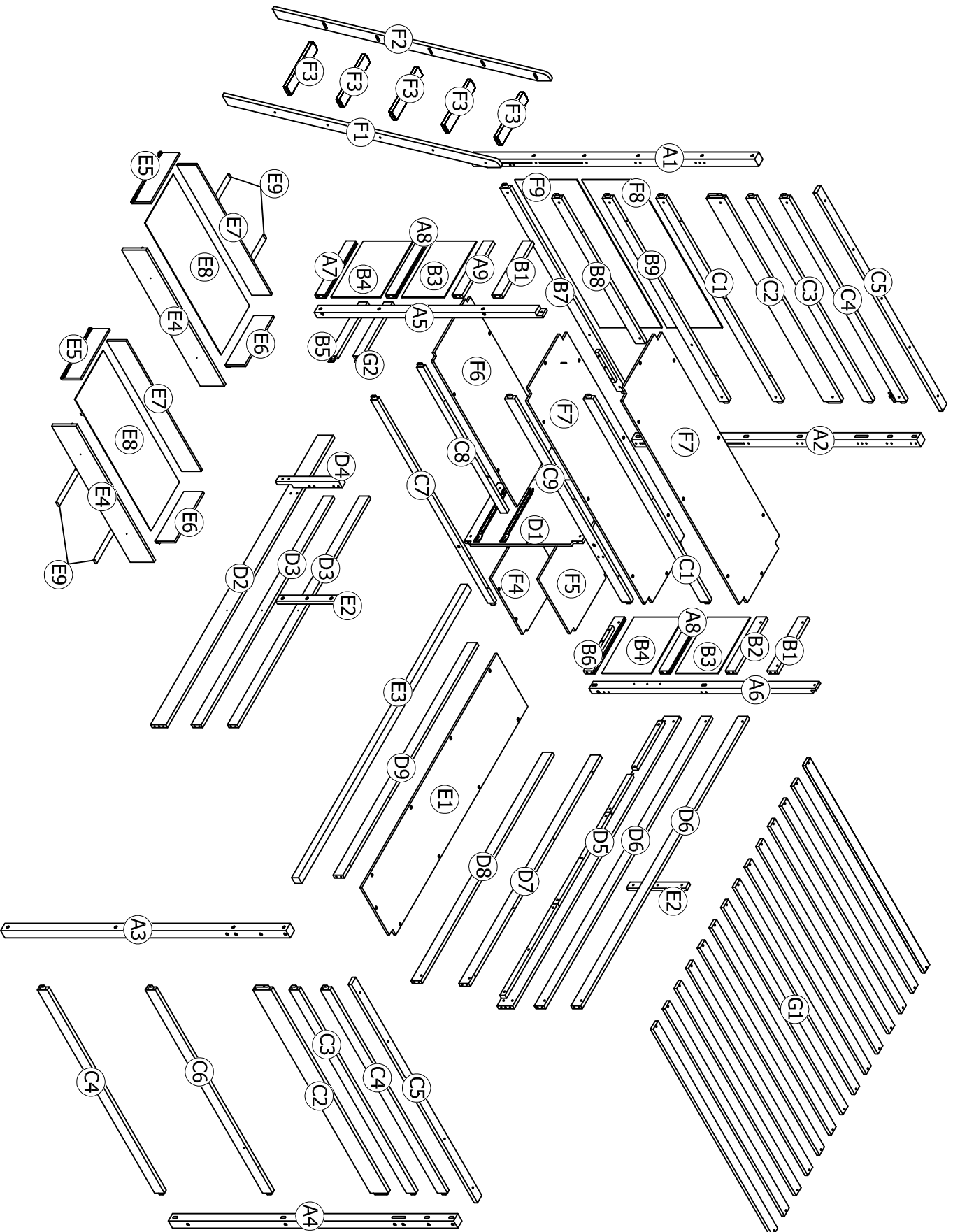
! SAFETY WARNINGS !

1. This bed is designed for use only mattress (es) meeting the following specifications on the upper bunk, and lower bunk

Upper bed Bed Type	Length	Width	Thickness
<i>Full Standard</i>	<i>74" - 75"</i>	<i>53 1/2"</i>	<i>6" max</i>

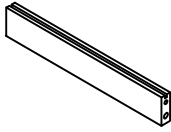
2. Replacement parts, including additional guardrails, maybe obtained from any of our (GIGACLOUD TECHNOLOGY (USA) INC. 18961 ARENTH AVENUE CITY OF INDUSTRY, CA, 91748) dealers
3. Follow the information on the warnings appearing on the upper bunk bed end structure and on the carton. Do not remove warning label from bed
4. Always use the recommended size mattresses or mattress supports, or both, to help prevent the likelihood of entrapment or falls.
5. Surface of mattress must be at least 5" (127mm) below the upper edge of guardrails
6. Do not allow children under 6 years of age to use the upper bunk.
7. Periodically check and ensure that the guardrail, ladder, and other components are in their proper position, free from damage, and that all connectors are tight.
8. Do not allow horseplay on or under the bed and prohibit jumping on the bed.
9. Always use the ladder for entering and leaving the upper bunk.
10. Do not use substitute part. Contact the manufacture or dealer for replacement part
11. Use of a night light may provide added safety precaution for a child using the upper bunk..
12. Always use guardrails on both long sides of the upper bunk. If the bunk bed will be placed next to the wall, the guardrail that runs the full length of the bed should be placed against the wall to prevent entrapment between the bed and wall.
13. The use of water or sleep flotation mattresses is prohibited
14. STRANGULATION HAZARD - Never attach or hang items to any part of the bunk bed that are not designed for use with the bed; for example, but not limited to, hook, belts and jump ropes
15. Keep these instruction for future reference
16. Prohibit more than one person on upper bunk
17. We recommend assembling your bunk bed on the shipping carton to protect your floor or carpet
18. Be certain all staples are out of the box before beginning assembly on the shipping carton.

ASSEMBLY INSTRUCTION



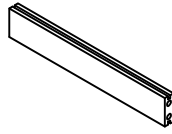
Part List (Box 1-WF314041)

A7



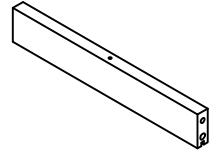
WoodBar-1pc

A8



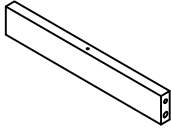
WoodBar-2pcs

A9



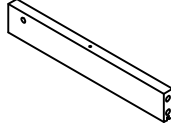
WoodBar-1pc

B1



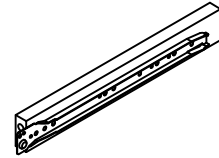
WoodBar-2pcs

B2



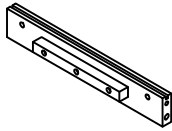
WoodBar-1pc

B5



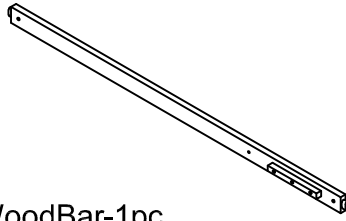
WoodBar-1pc

B6



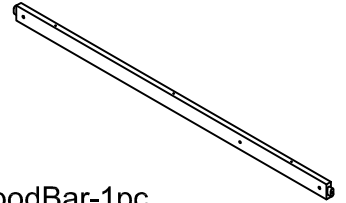
WoodBar-1pc

B7



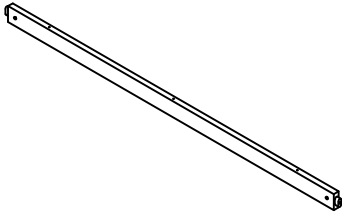
WoodBar-1pc

B9



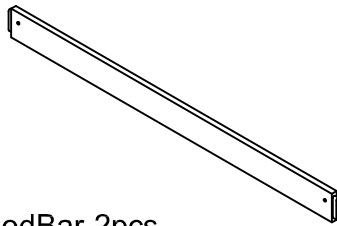
WoodBar-1pc

C1



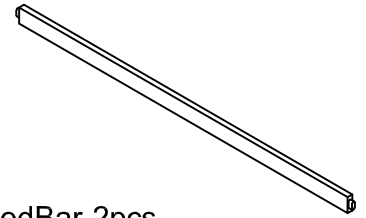
WoodBar-2pcs

C2



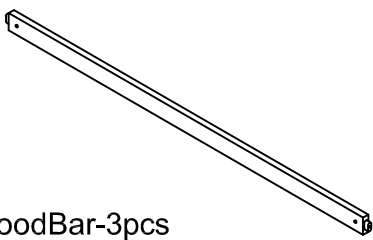
WoodBar-2pcs

C3



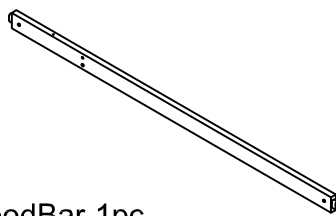
WoodBar-2pcs

C4



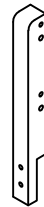
WoodBar-3pcs

C6



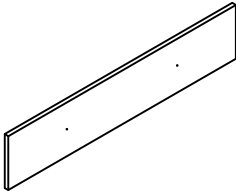
WoodBar-1pc

D4



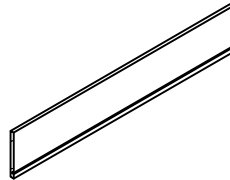
WoodBar-1pc

E4



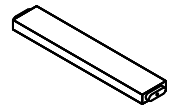
Front Drawers-2pcs

E7



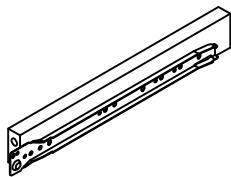
Back Drawers-2pcs

F3









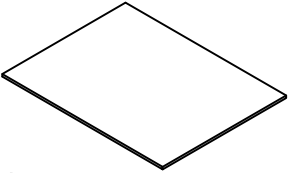
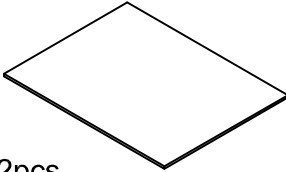
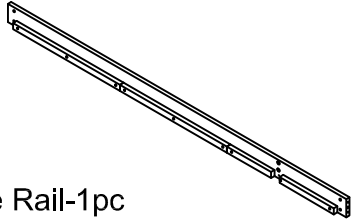
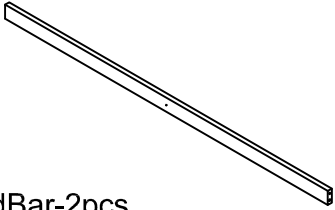
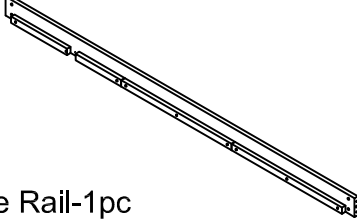
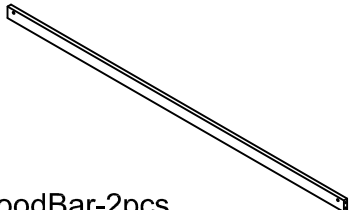
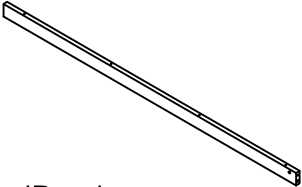
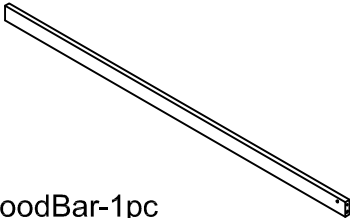
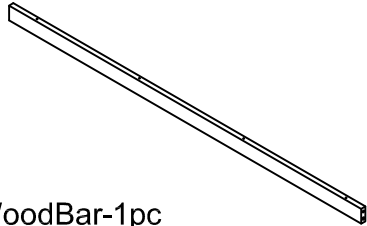
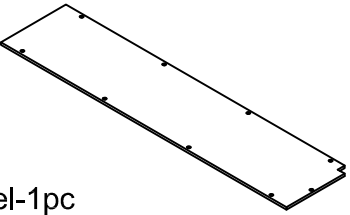
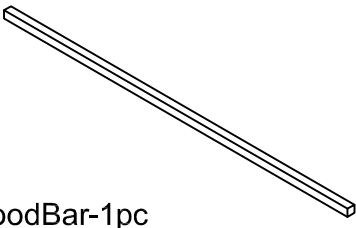
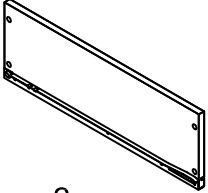
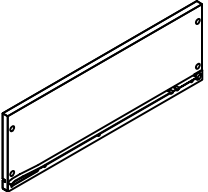
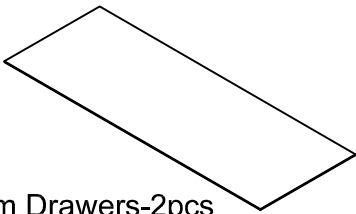
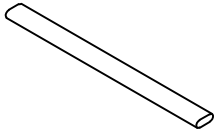
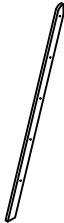

WoodBar-5pcs

G2



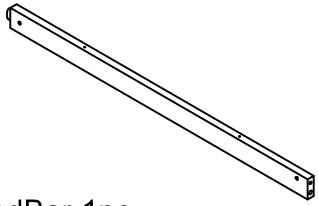
WoodBar-1pc

Part List & Hardware List (Box 2-WF314042)

<p>A1</p>  <p>Leg-1pc</p>	<p>A2</p>  <p>Leg-1pc</p>	<p>A3</p>  <p>Leg-1pc</p>
<p>A4</p>  <p>Leg-1pc</p>	<p>A5</p>  <p>Leg-1pc</p>	<p>A6</p>  <p>Leg-1pc</p>
<p>B3</p>  <p>Panel-2pcs</p>	<p>B4</p>  <p>Panel-2pcs</p>	<p>D2</p>  <p>Side Rail-1pc</p>
<p>D3</p>  <p>WoodBar-2pcs</p>	<p>D5</p>  <p>Side Rail-1pc</p>	<p>D6</p>  <p>WoodBar-2pcs</p>
<p>D7</p>  <p>WoodBar-1pc</p>	<p>D8</p>  <p>WoodBar-1pc</p>	<p>D9</p>  <p>WoodBar-1pc</p>
<p>E1</p>  <p>Panel-1pc</p>	<p>E3</p>  <p>WoodBar-1pc</p>	<p>E5</p>  <p>Side Drawers-2pcs</p>
<p>E6</p>  <p>Side Drawers-2pcs</p>	<p>E8</p>  <p>Bottom Drawers-2pcs</p>	<p>E9</p>  <p>Support Drawers-4pcs</p>
<p>F1</p>  <p>WoodBar-1pc</p>	<p>F2</p>  <p>WoodBar-1pc</p>	

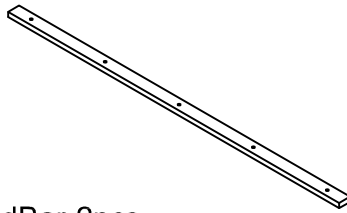
Part List (Box 3-WF314044)

B8



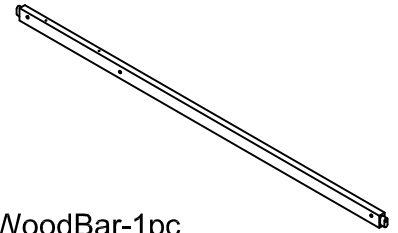
WoodBar-1pc

C5



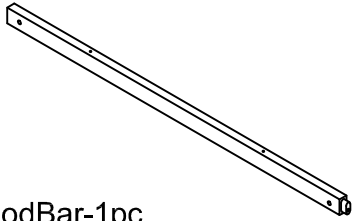
WoodBar-2pcs

C7



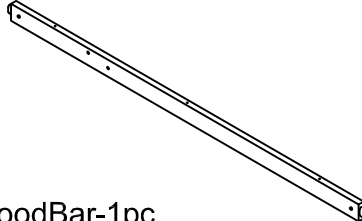
WoodBar-1pc

C8



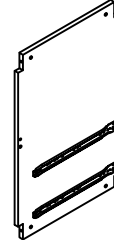
WoodBar-1pc

C9



WoodBar-1pc

D1



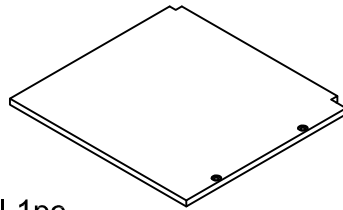
Panel-1pc

E2



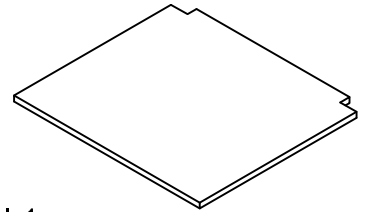
WoodBar-2pcs

F4



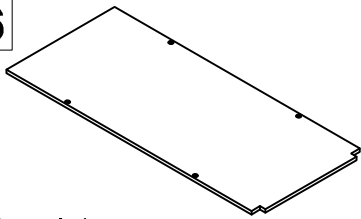
Panel-1pc

F5



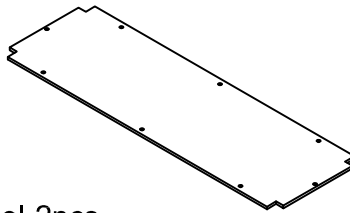
Panel-1pc

F6



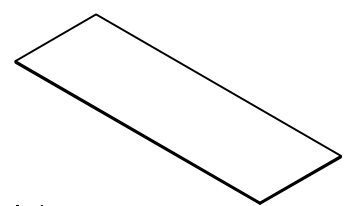
Panel-1pc

F7



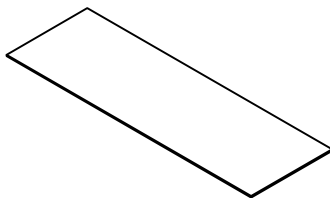
Panel-2pcs

F8



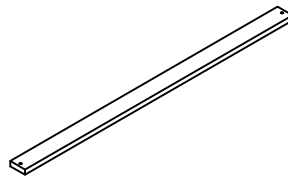
Panel-1pc

F9



Panel-1pc

G1

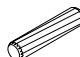




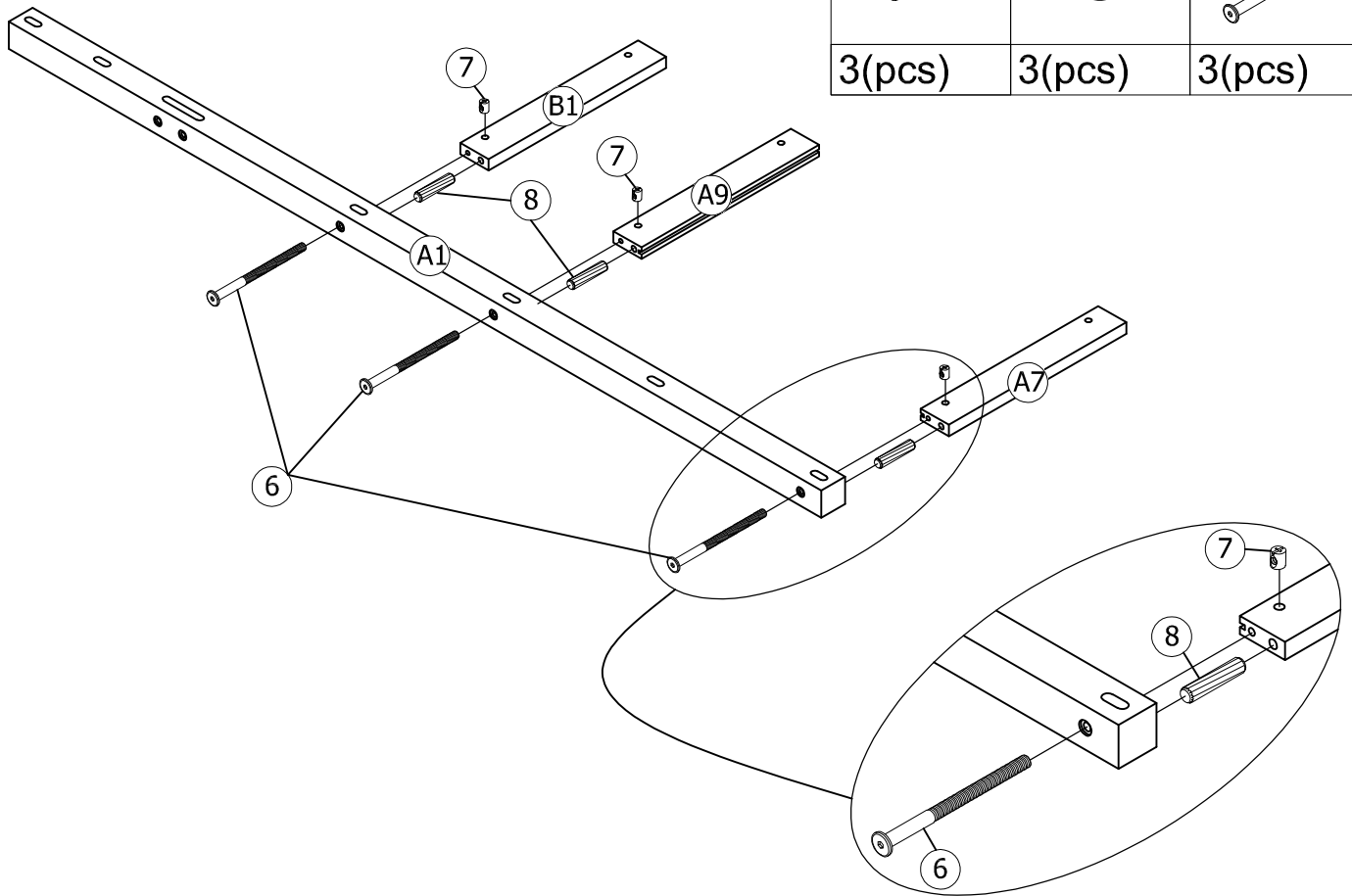
Slats-14pcs

Hardware List (Box 2-WF314042)

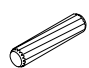
<p>1</p>  <p>Screws 1/4" x30 39pcs</p>	<p>2</p>  <p>Screws 1/4" x40 10pcs</p>	<p>3</p>  <p>Ø1/4" x 30 mm Hex-Head bolts 2pcs</p>
<p>4</p>  <p>Ø1/4" x 70 mm Hex-Head bolts 8pcs</p>	<p>5</p>  <p>Ø1/4" x 80 mm Hex-Head bolts 9pcs</p>	<p>6</p>  <p>Ø1/4" x 100 mm Hex-Head bolts 46pcs</p>
<p>7</p>  <p>Ø1/4" x 13 mm Horizontal-Hole bolts 63pcs</p>	<p>8</p>  <p>Ø10 x 40 mm Wood dowel 50pcs</p>	<p>9</p>  <p>Ø1/4" x 15 mm T-Nut 2pcs</p>
<p>10</p>  <p>M3.5 x 12 mm Wood Screws 12pcs</p>	<p>11</p>  <p>M4 x 15 mm Wood Screws 14pcs</p>	<p>12</p>  <p>M4 x 30 mm Wood Screws 58pcs</p>
<p>13</p>  <p>M4 x 15 mm Wood Screws 20pcs</p>	<p>14</p>  <p>M4 x 25 mm Wood Screws 4pcs</p>	<p>15</p>  <p>4pcs</p>
<p>16</p>  <p>4pcs</p>	<p>17</p>  <p>2pcs</p>	<p>18</p>  <p>2pcs</p>
<p>19</p>  <p>4pcs</p>	<p>20</p>  <p>Allen Key 1pc</p>	 <p>Assembly Tools Required (Not Included)</p>

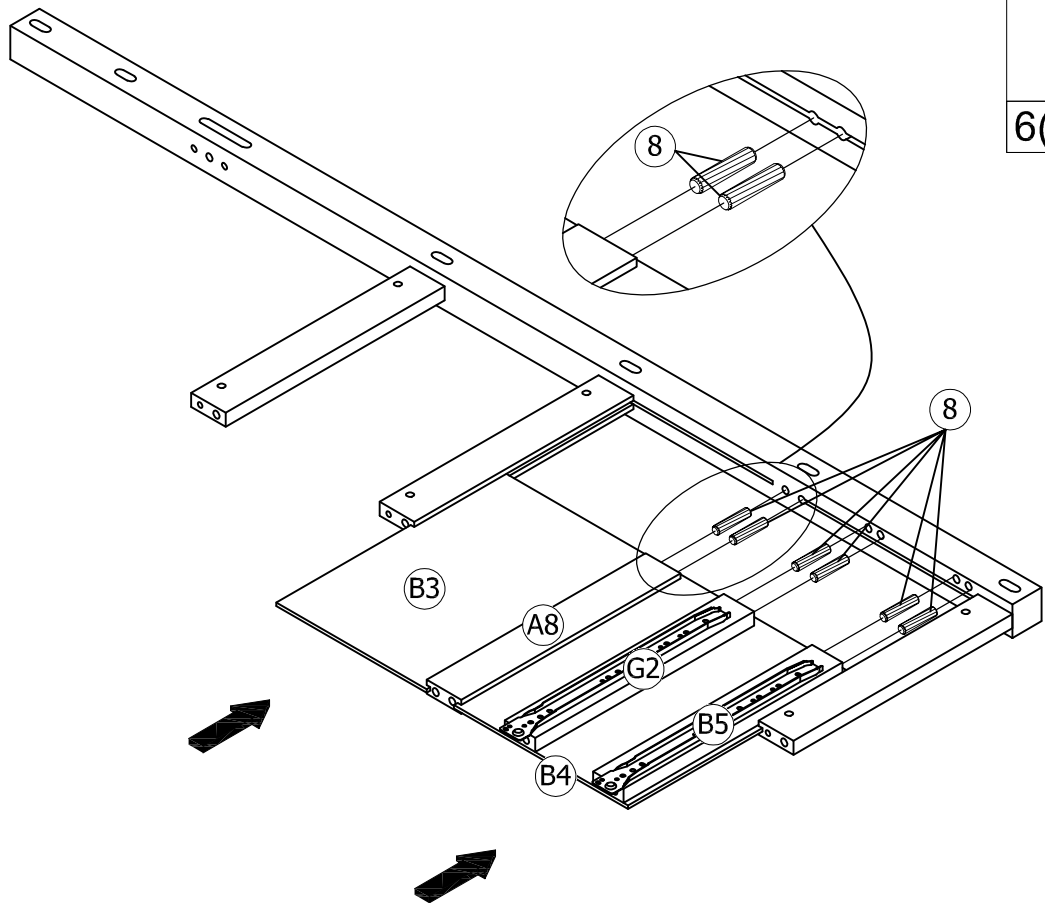
STEP1: Following below illustration.

8 	7 	6 
3(pcs)	3(pcs)	3(pcs)

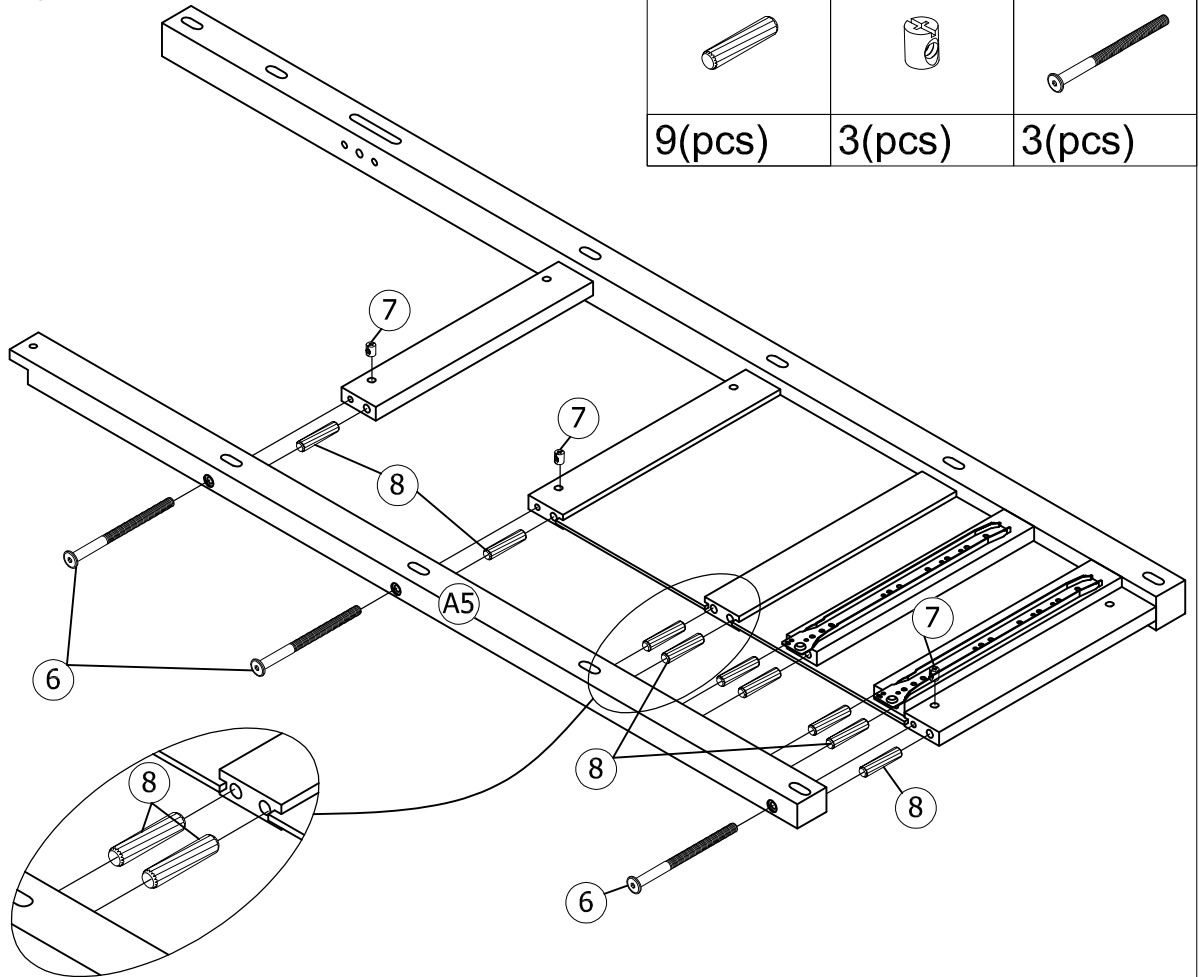


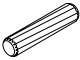


STEP2: Following below illustration.

8 
6(pcs)

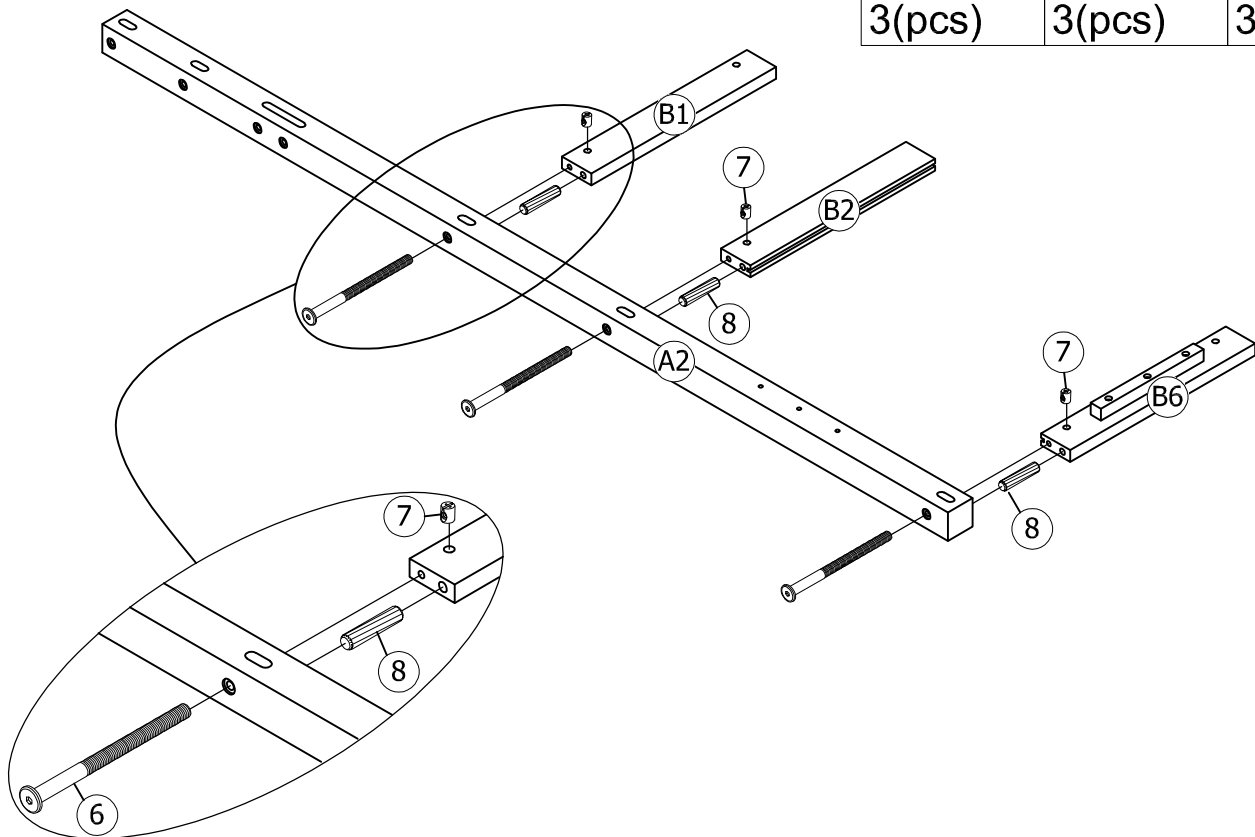


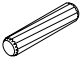


STEP3: Following below illustration.



8	7	6
		
9(pcs)	3(pcs)	3(pcs)

STEP4: Following below illustration.



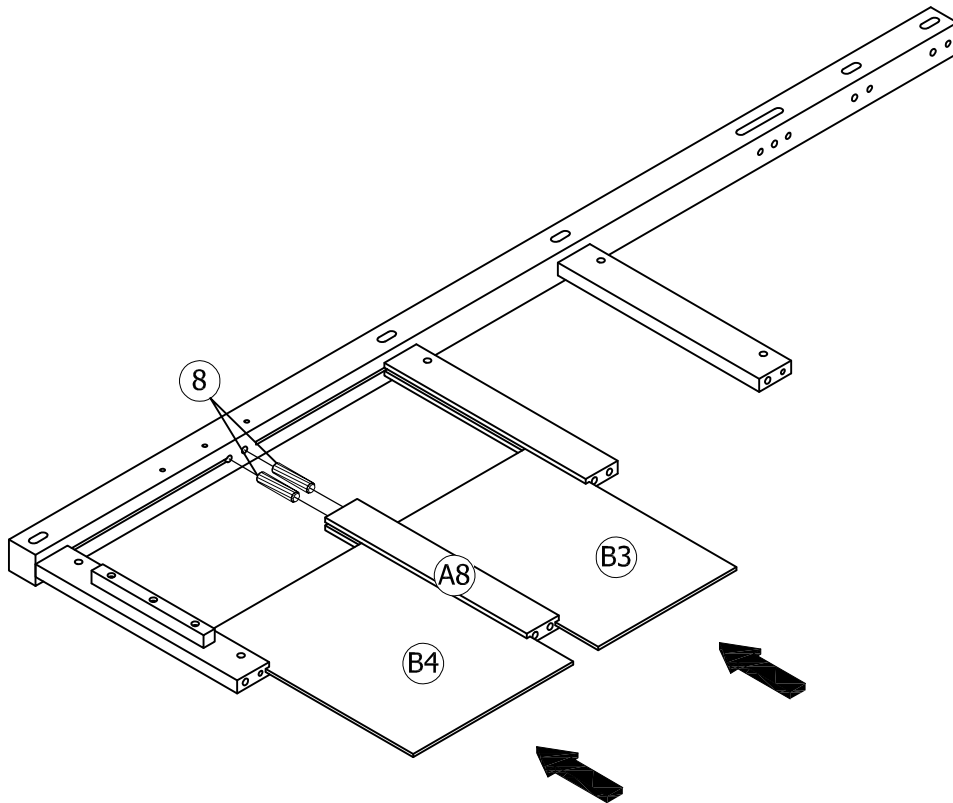
8	7	6
		
3(pcs)	3(pcs)	3(pcs)

STEP5: Following below illustration.

8



2(pcs)



STEP6: Following below illustration.

8



6(pcs)

7

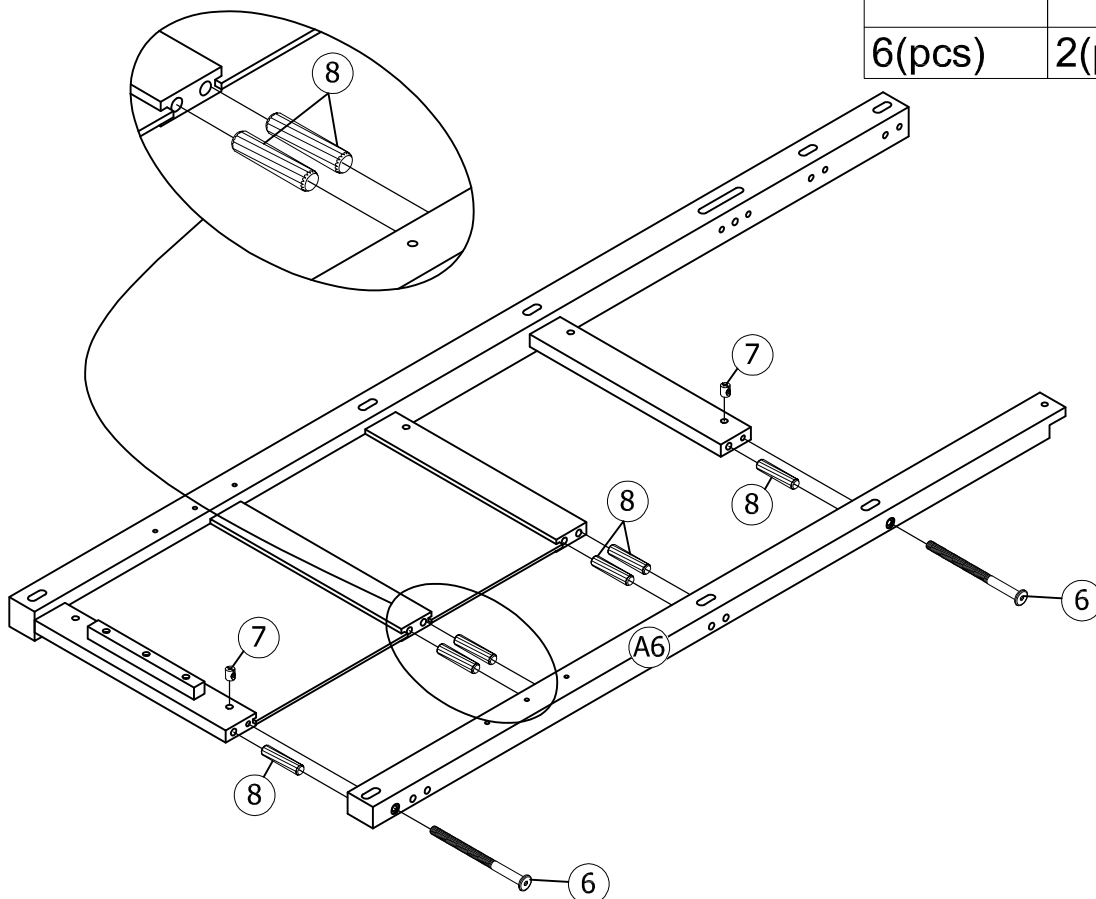


2(pcs)

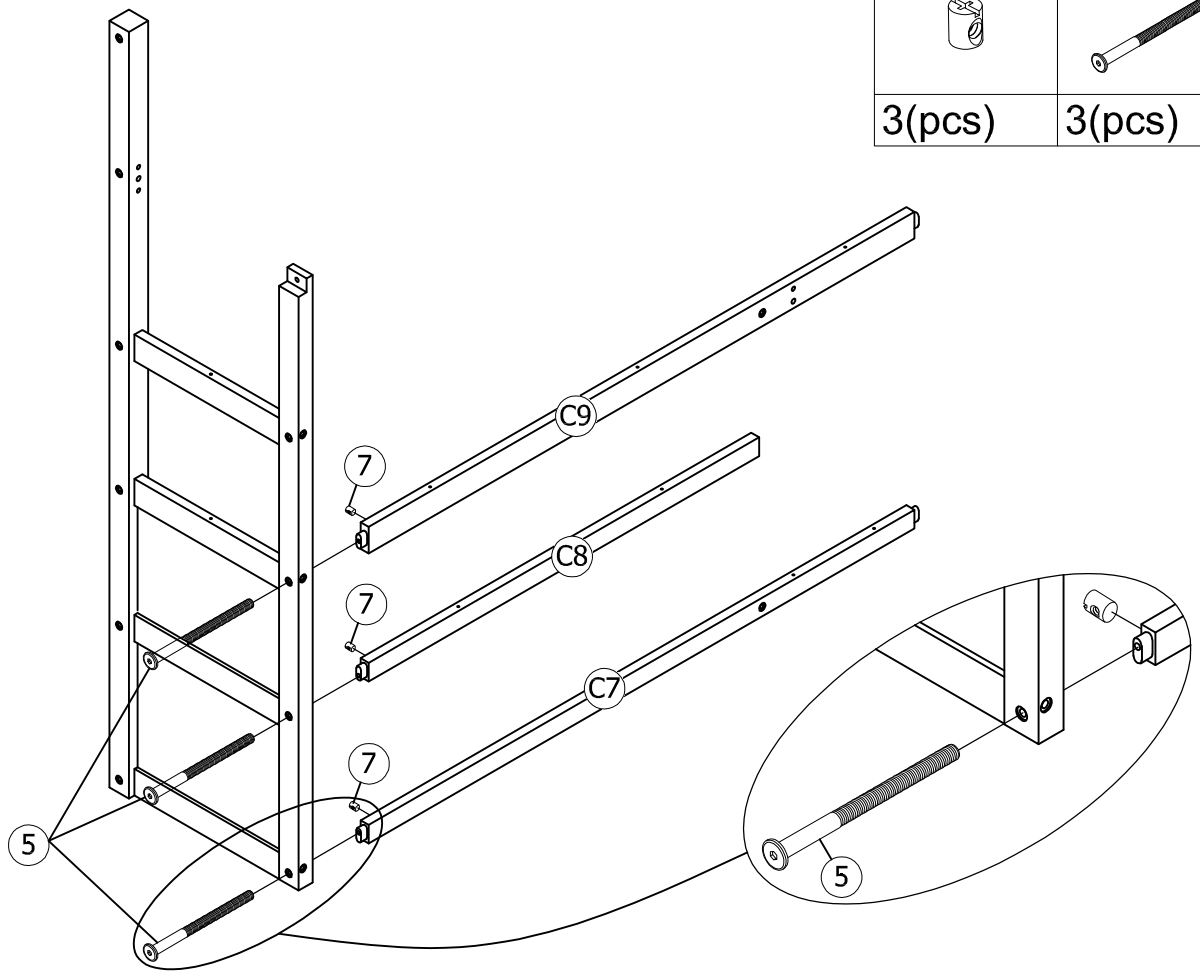
6



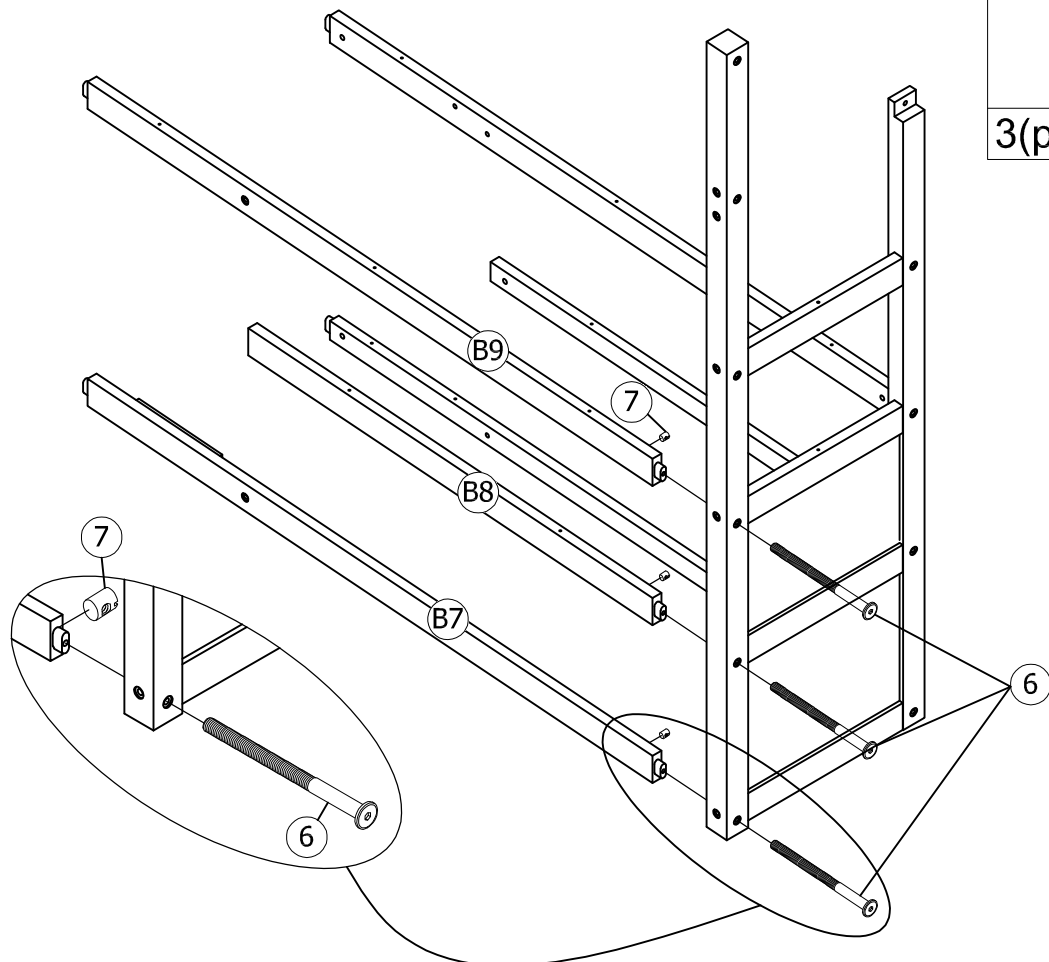
2(pcs)



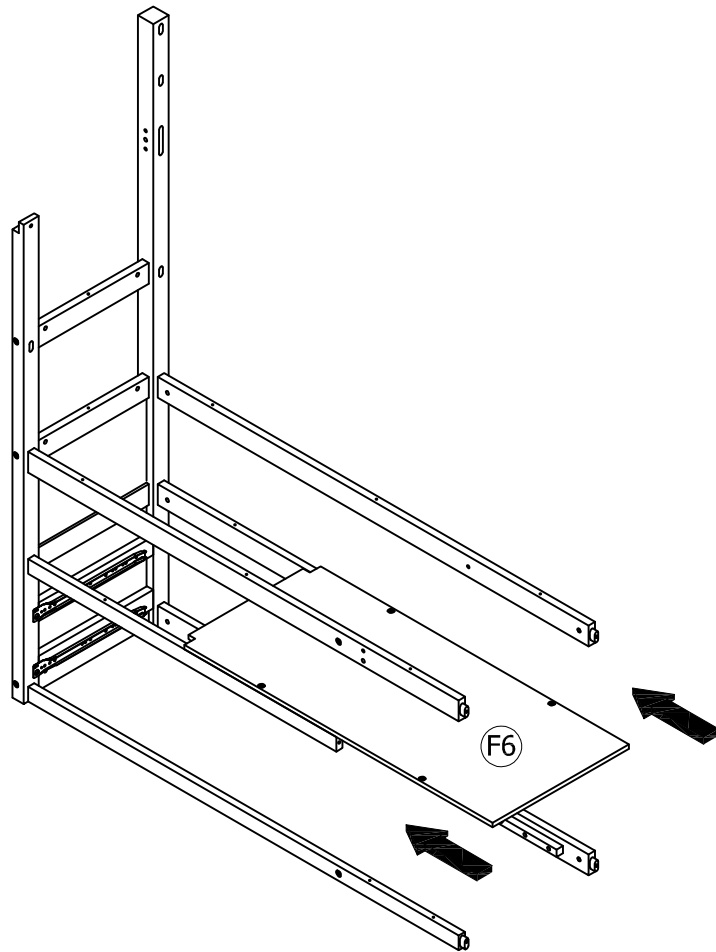
STEP7: Following below illustration.



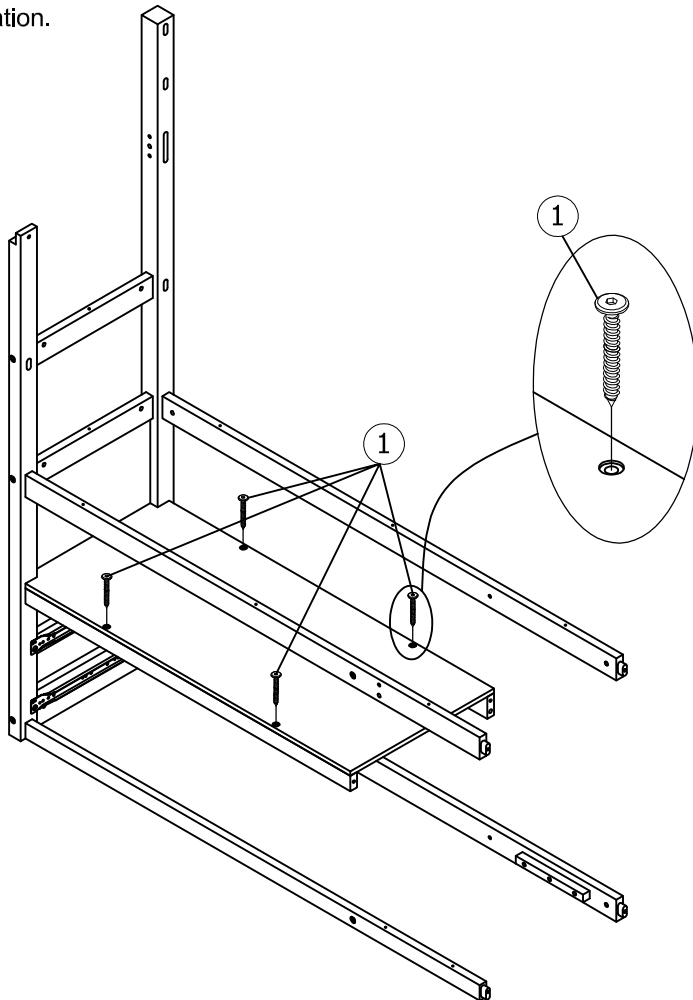
STEP8: Following below illustration.



STEP9: Following below illustration.



STEP10: Following below illustration.

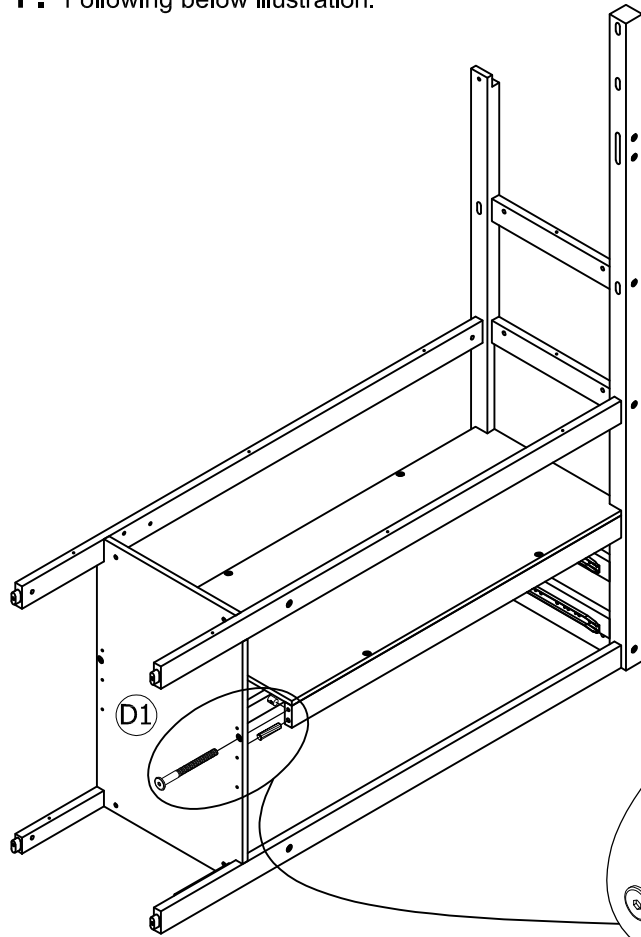


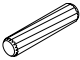


1

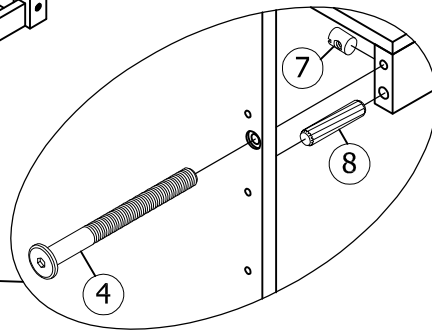


4(pcs)

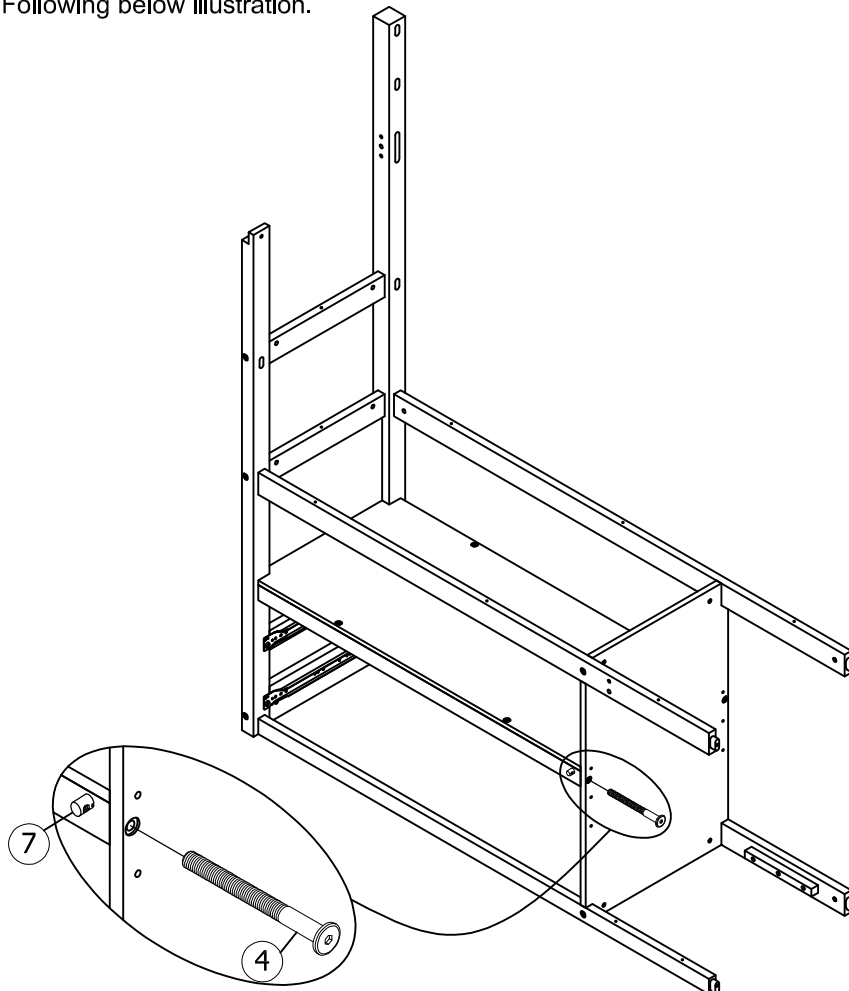
STEP11: Following below illustration.





8	7	4
		
1(pc)	1(pc)	1(pc)

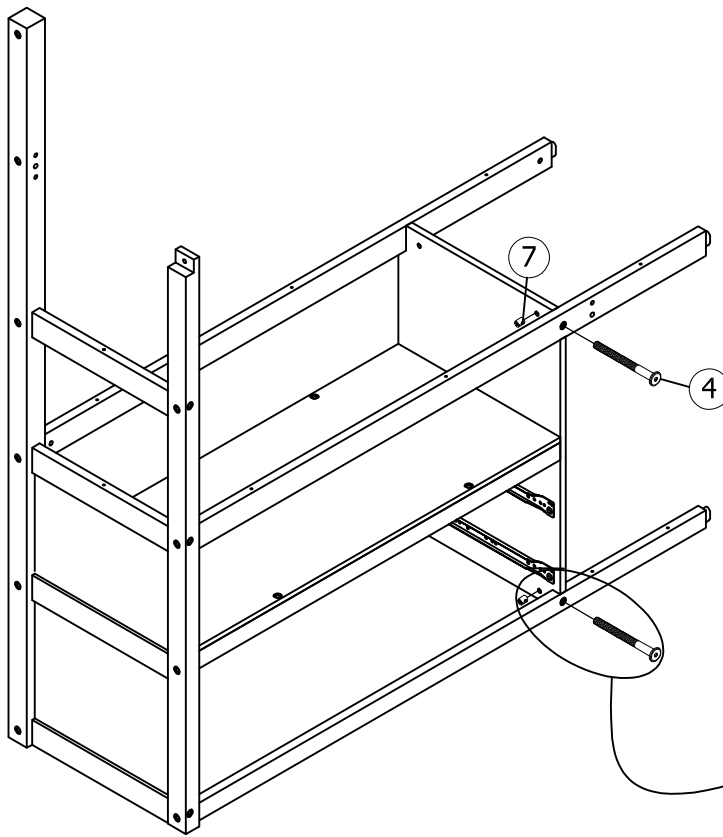


STEP12: Following below illustration.

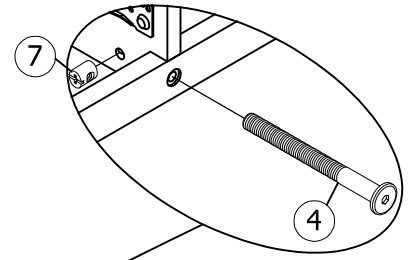


7	4
	
1(pc)	1(pc)

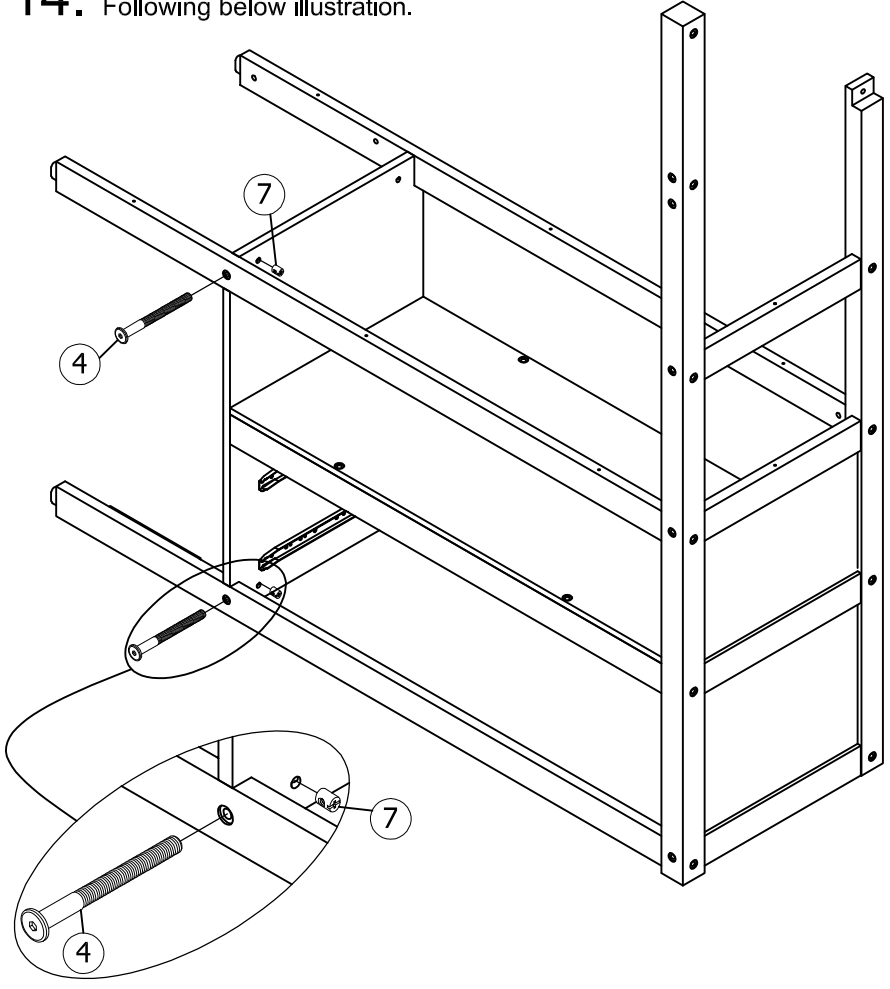
STEP13: Following below illustration.



7	4
2(pcs)	2(pcs)

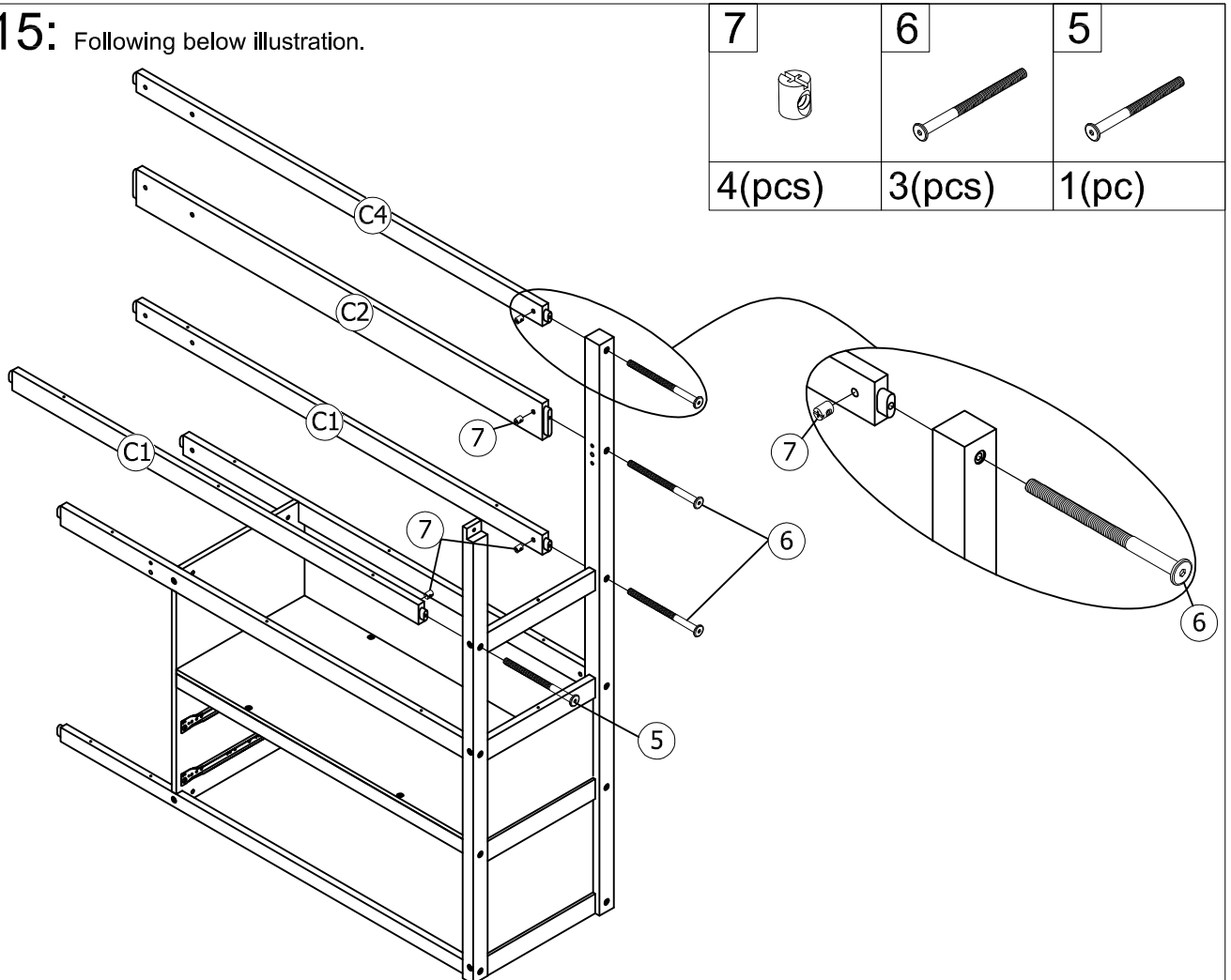


STEP14: Following below illustration.

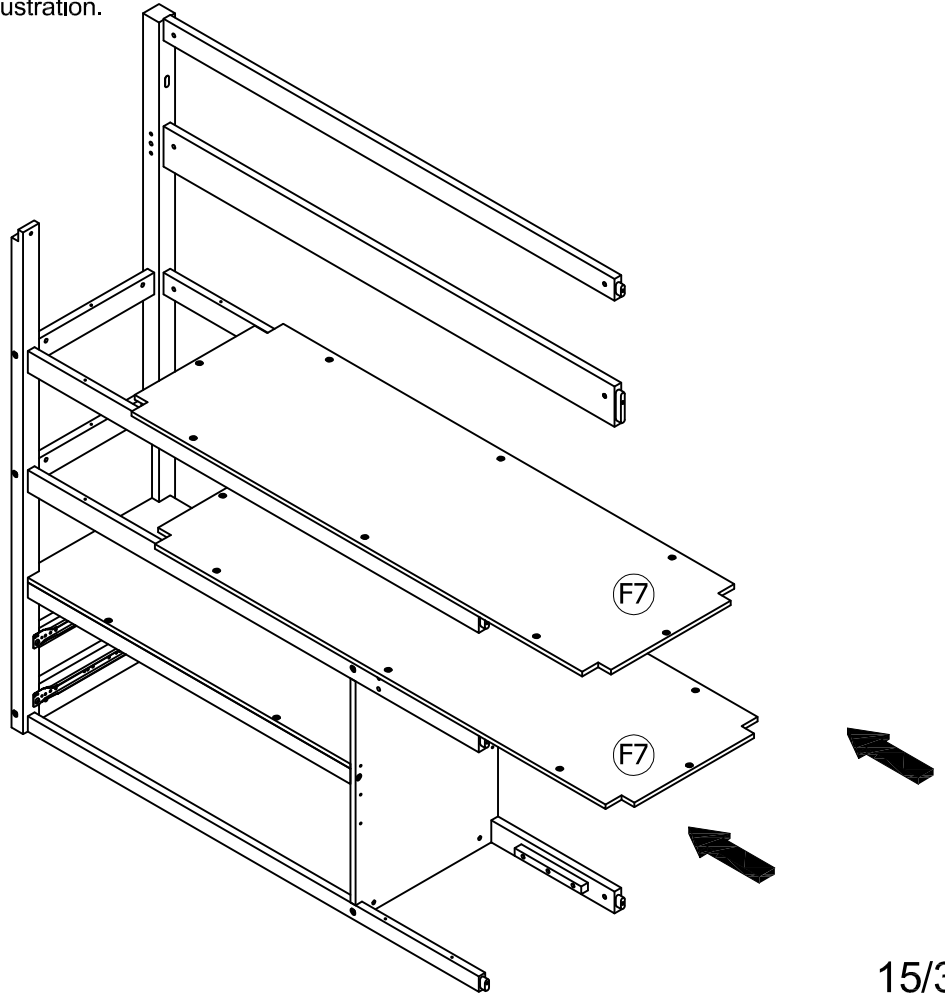


7	4
2(pcs)	2(pcs)

STEP15: Following below illustration.

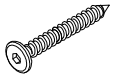


STEP16: Following below illustration.

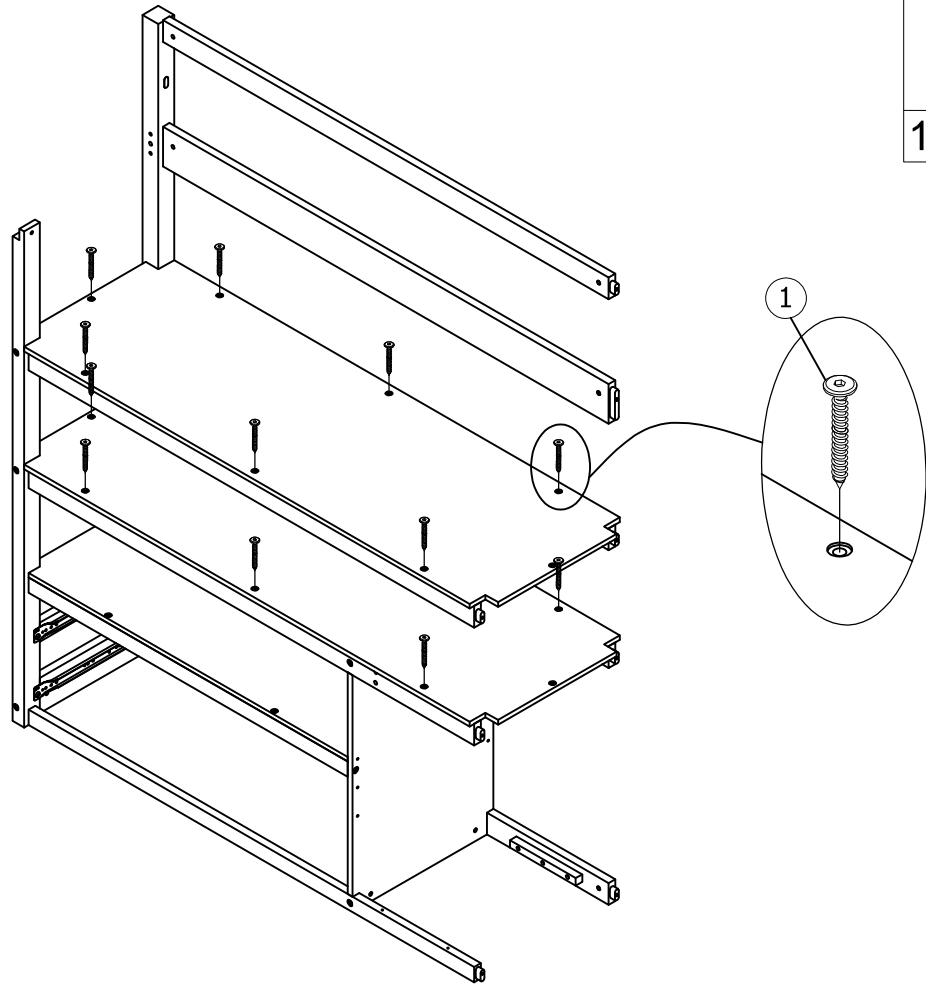


STEP17: Following below illustration.

1



14(pcs)



STEP18: Following below illustration.

7



8(pcs)

6

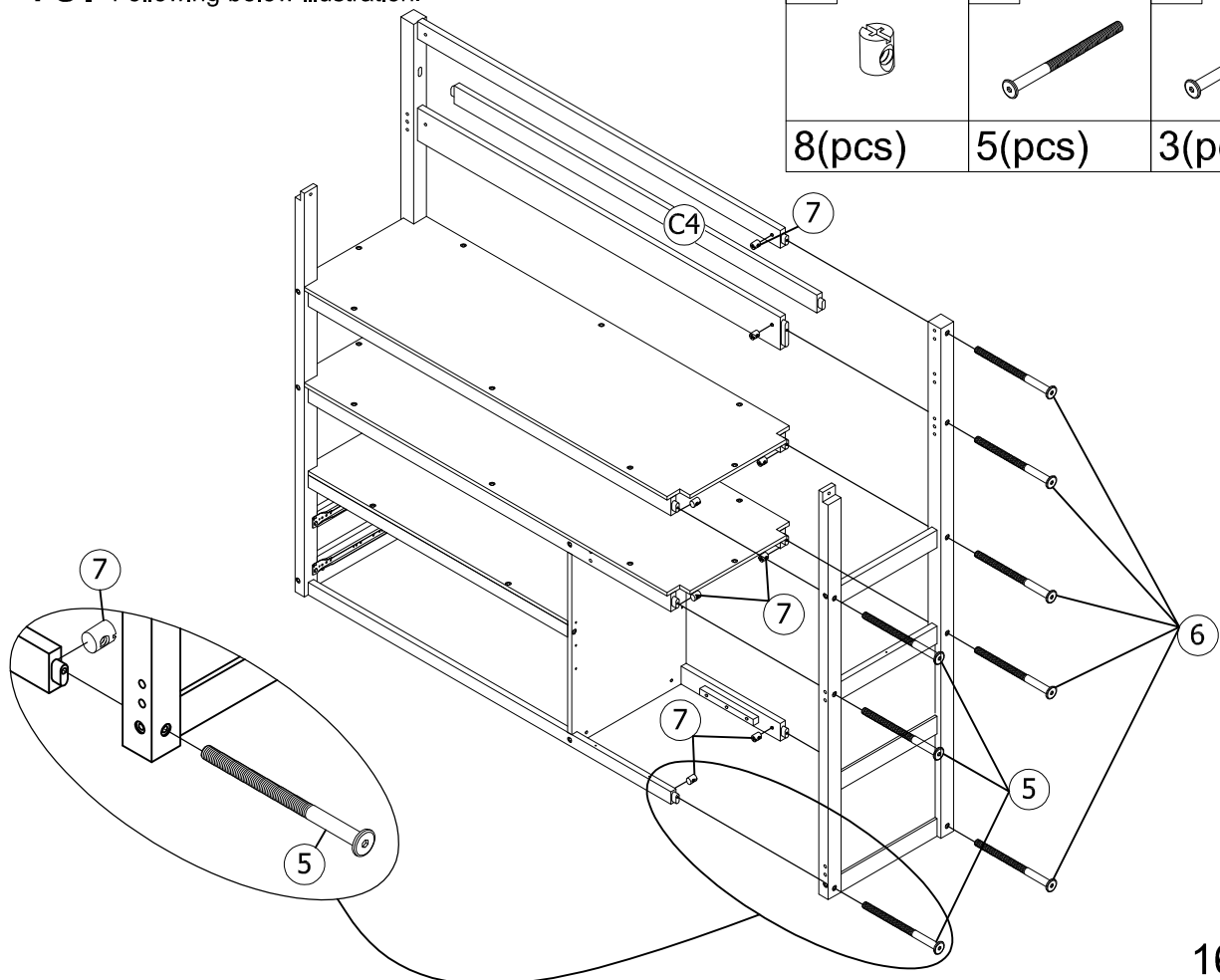


5(pcs)

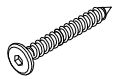
5

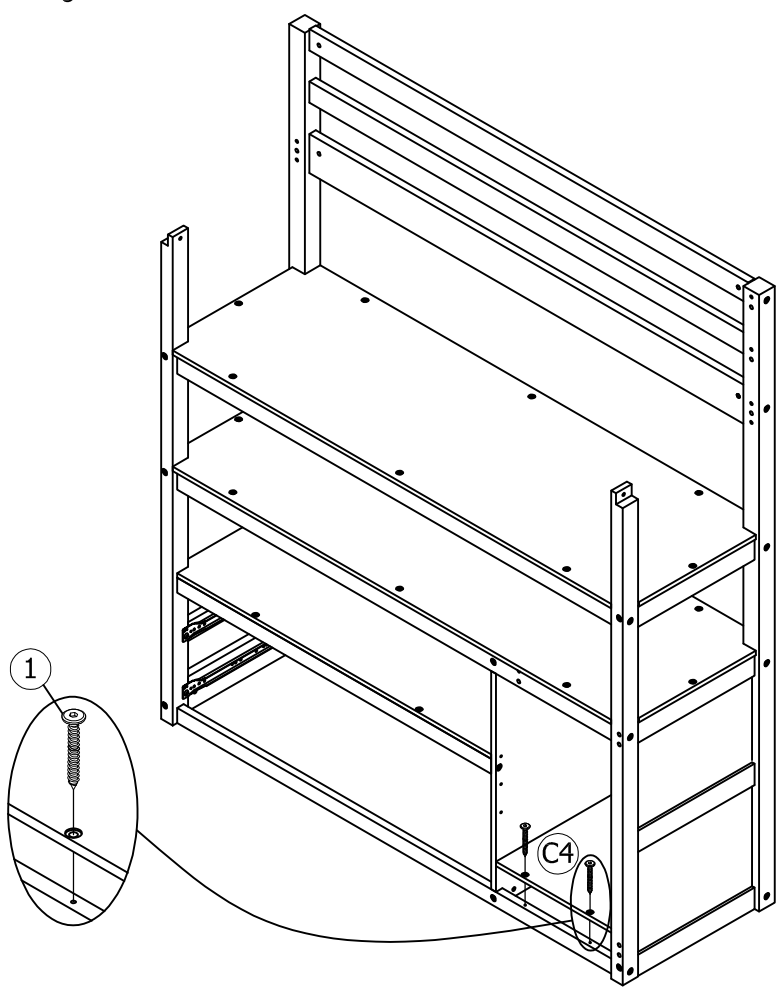


3(pcs)

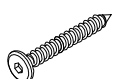


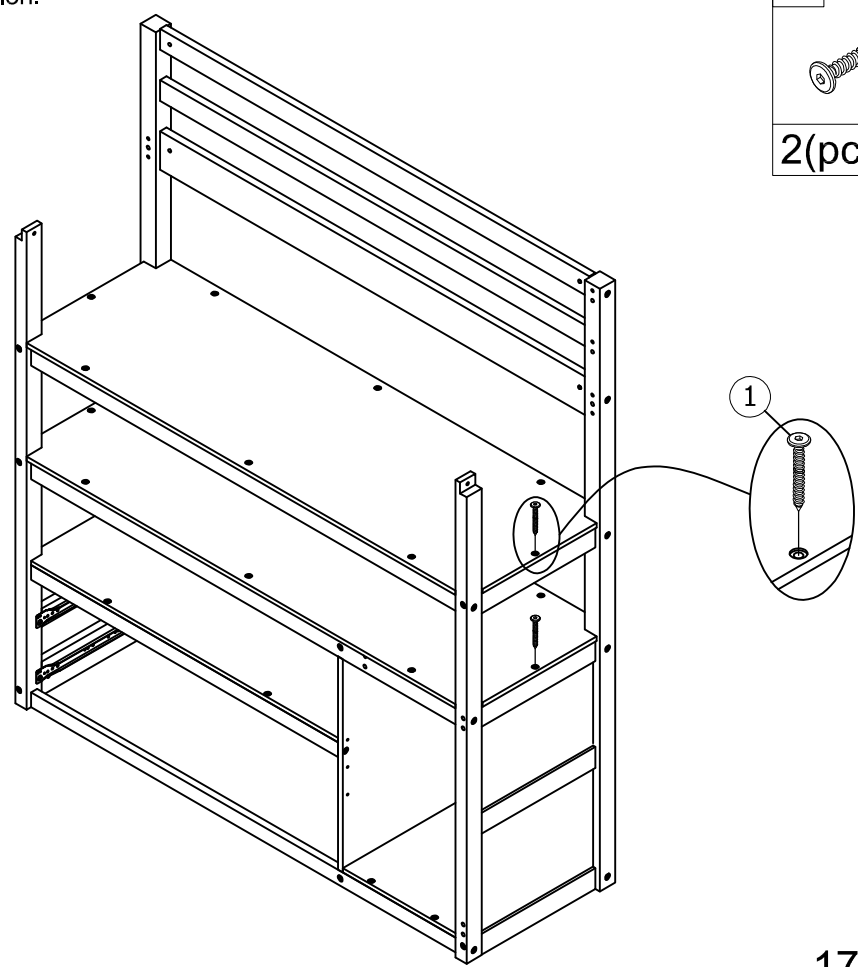
STEP19: Following below illustration.

1

2(pcs)

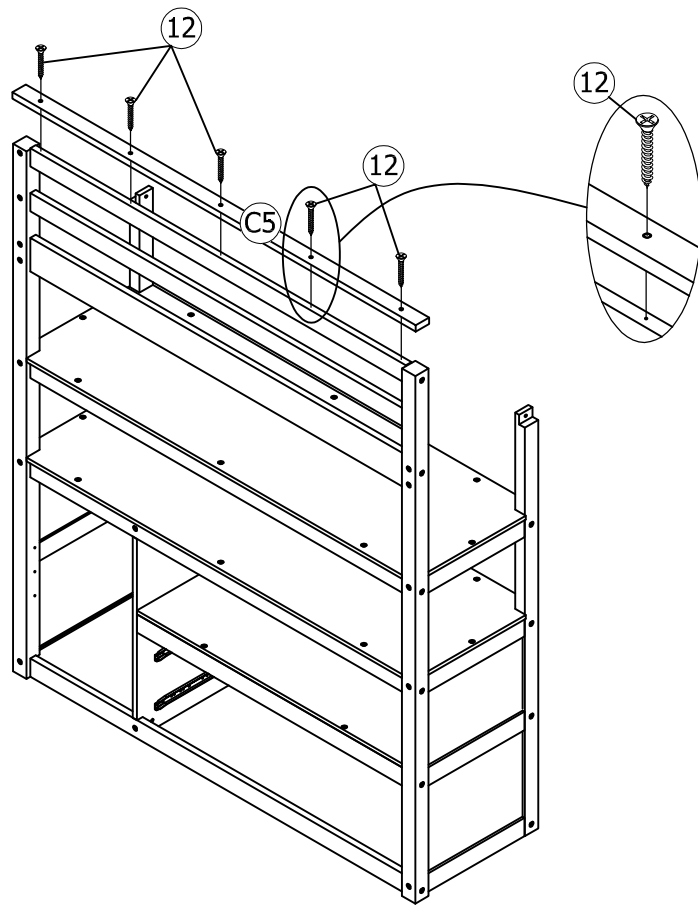


STEP20: Following below illustration.

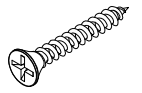
1

2(pcs)



STEP21: Following below illustration.

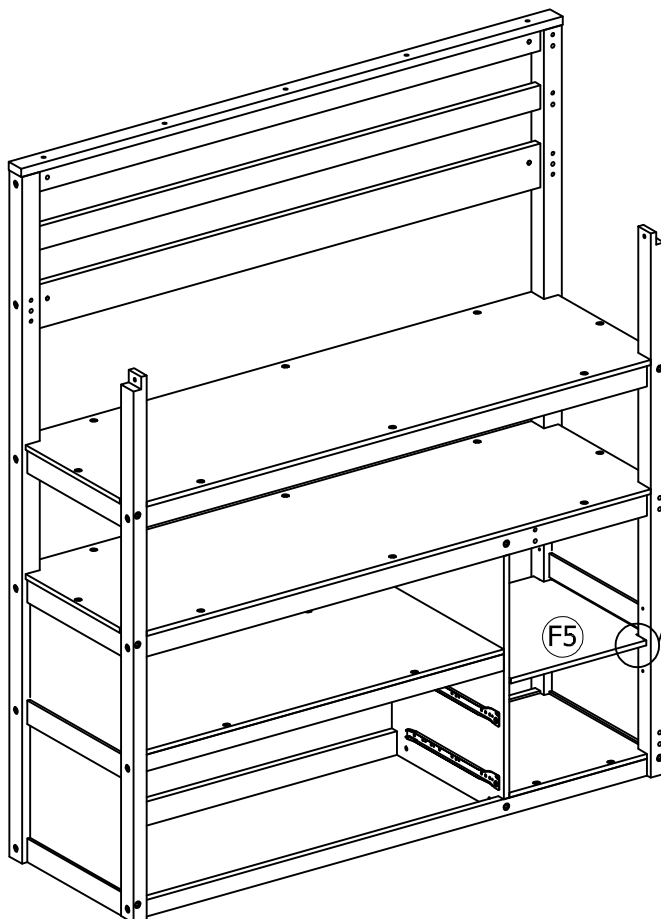


12



5(pcs)

STEP22: Following below illustration.



19

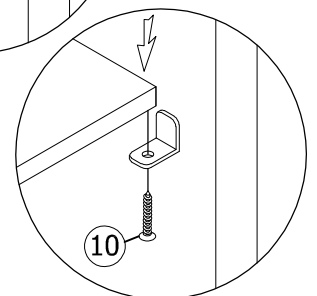
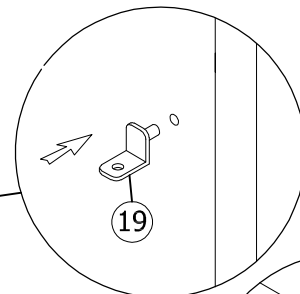


4(pcs)



10

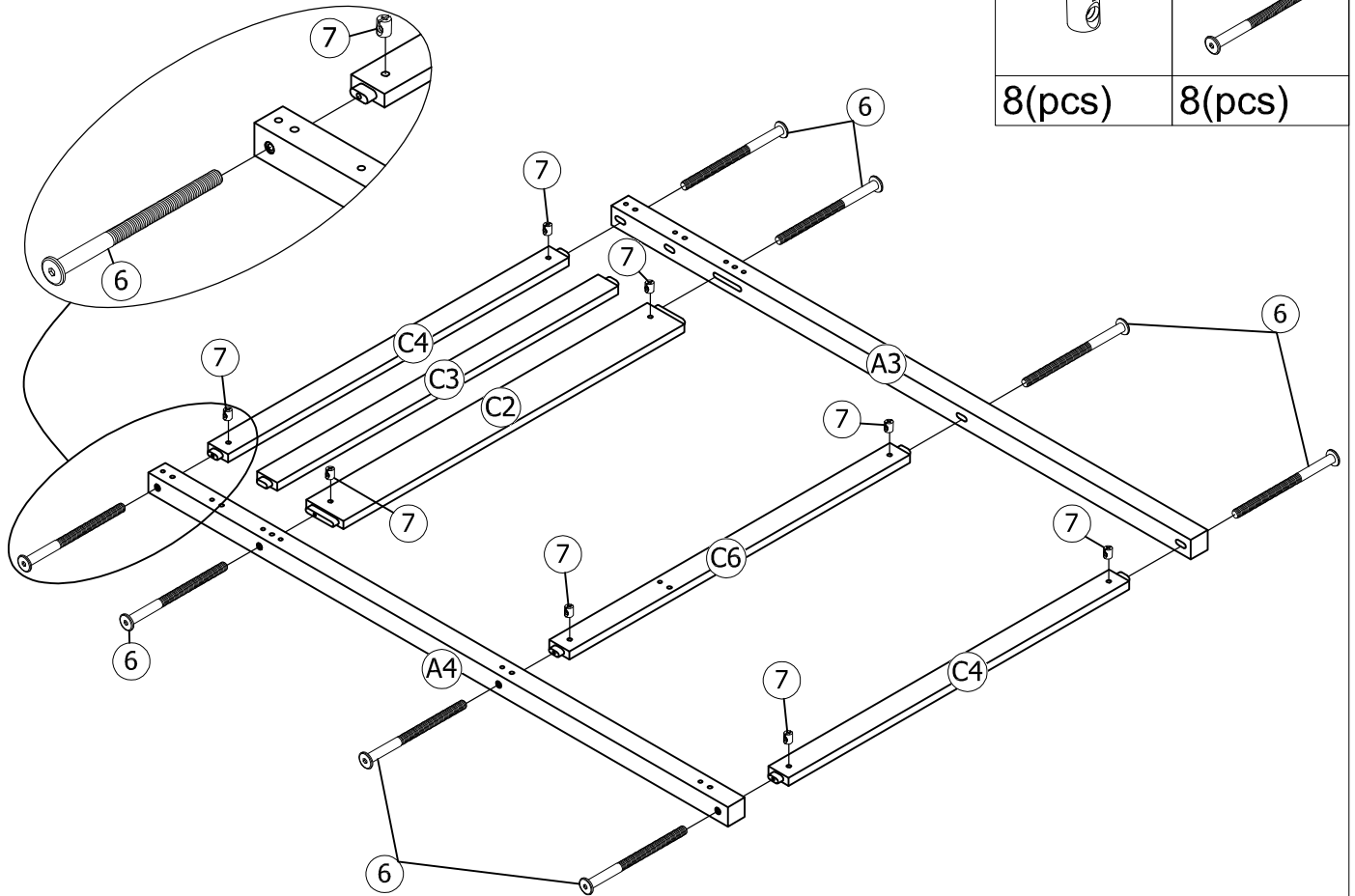


4(pcs)

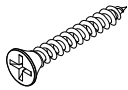


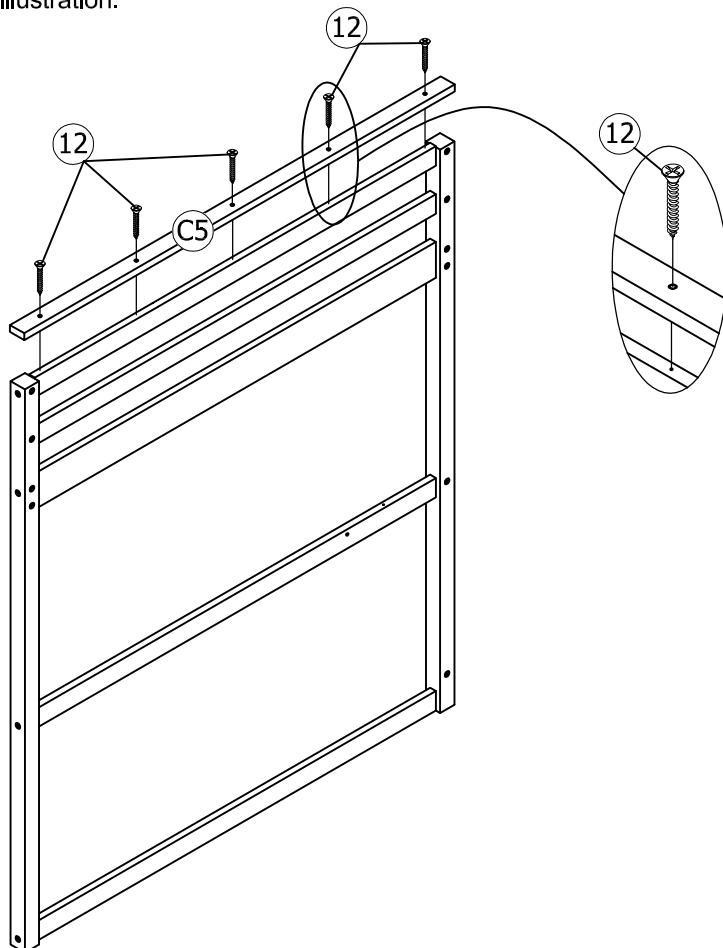
STEP23: Following below illustration.

7	6
	
8(pcs)	8(pcs)

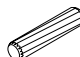




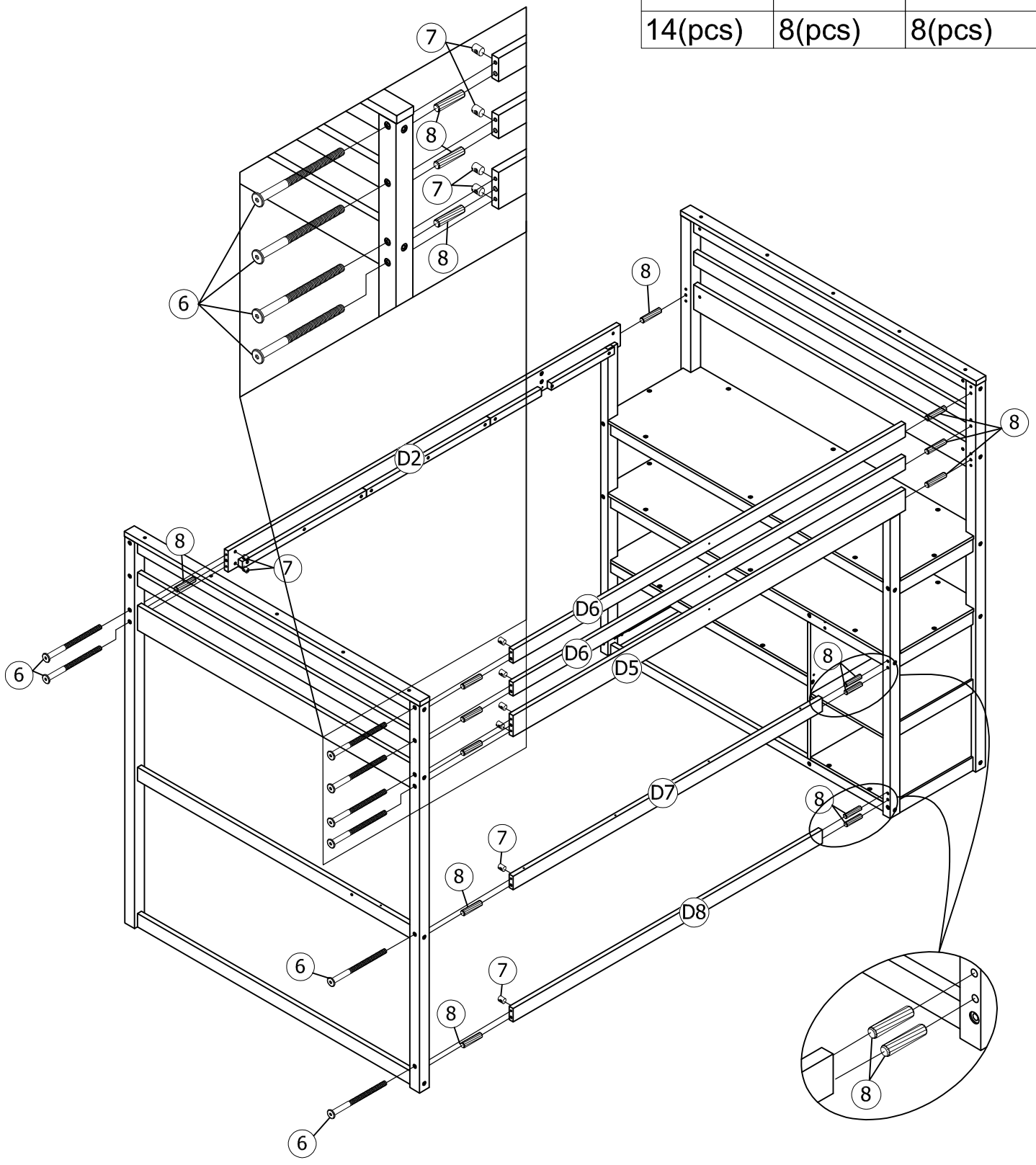
STEP24: Following below illustration.

12

5(pcs)





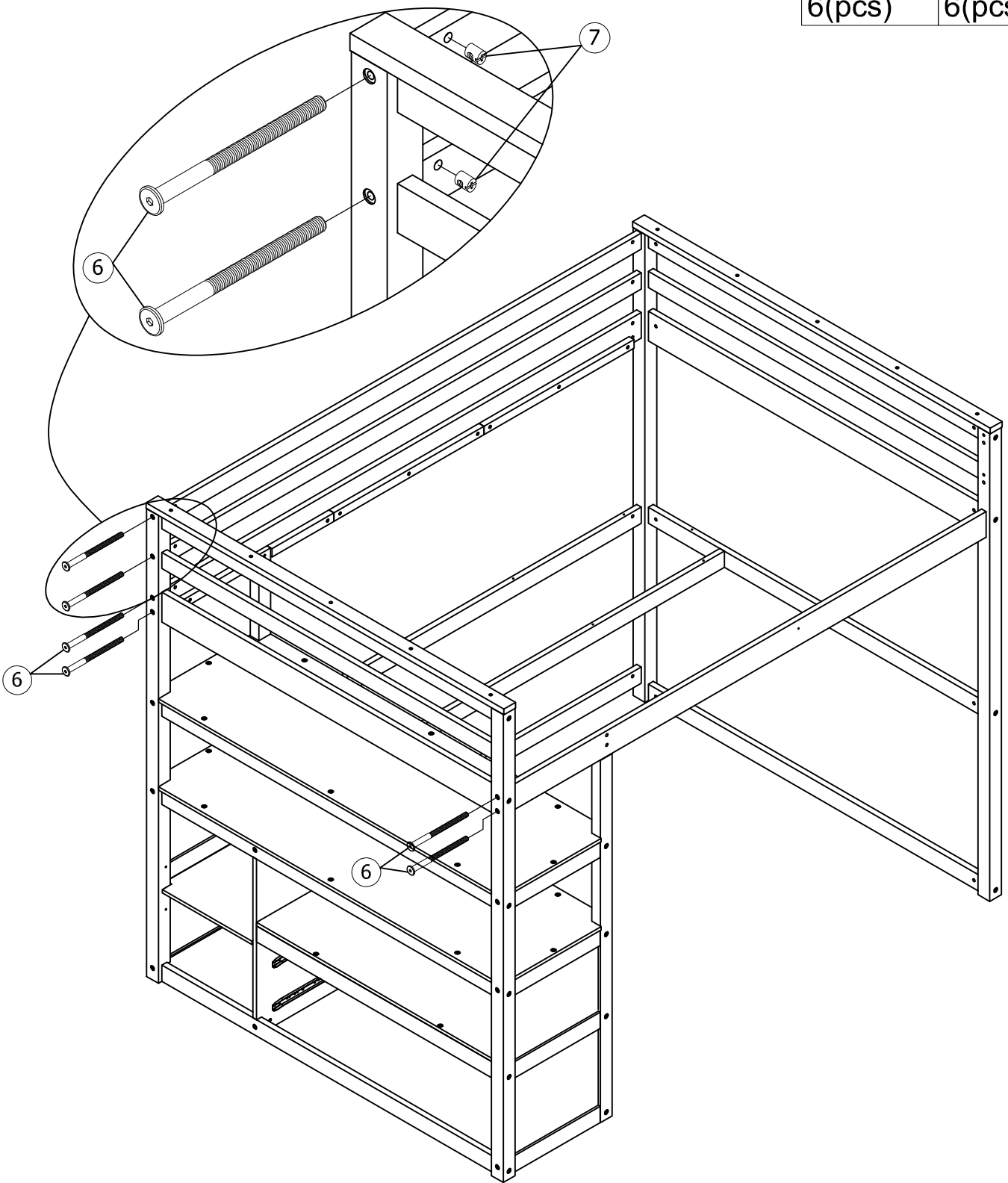
STEP25: Following below illustration.

8	7	6
		
14(pcs)	8(pcs)	8(pcs)



STEP26: Following below illustration.

7	6
	
6(pcs)	6(pcs)



STEP27: Following below illustration.

8



2(pcs)

7

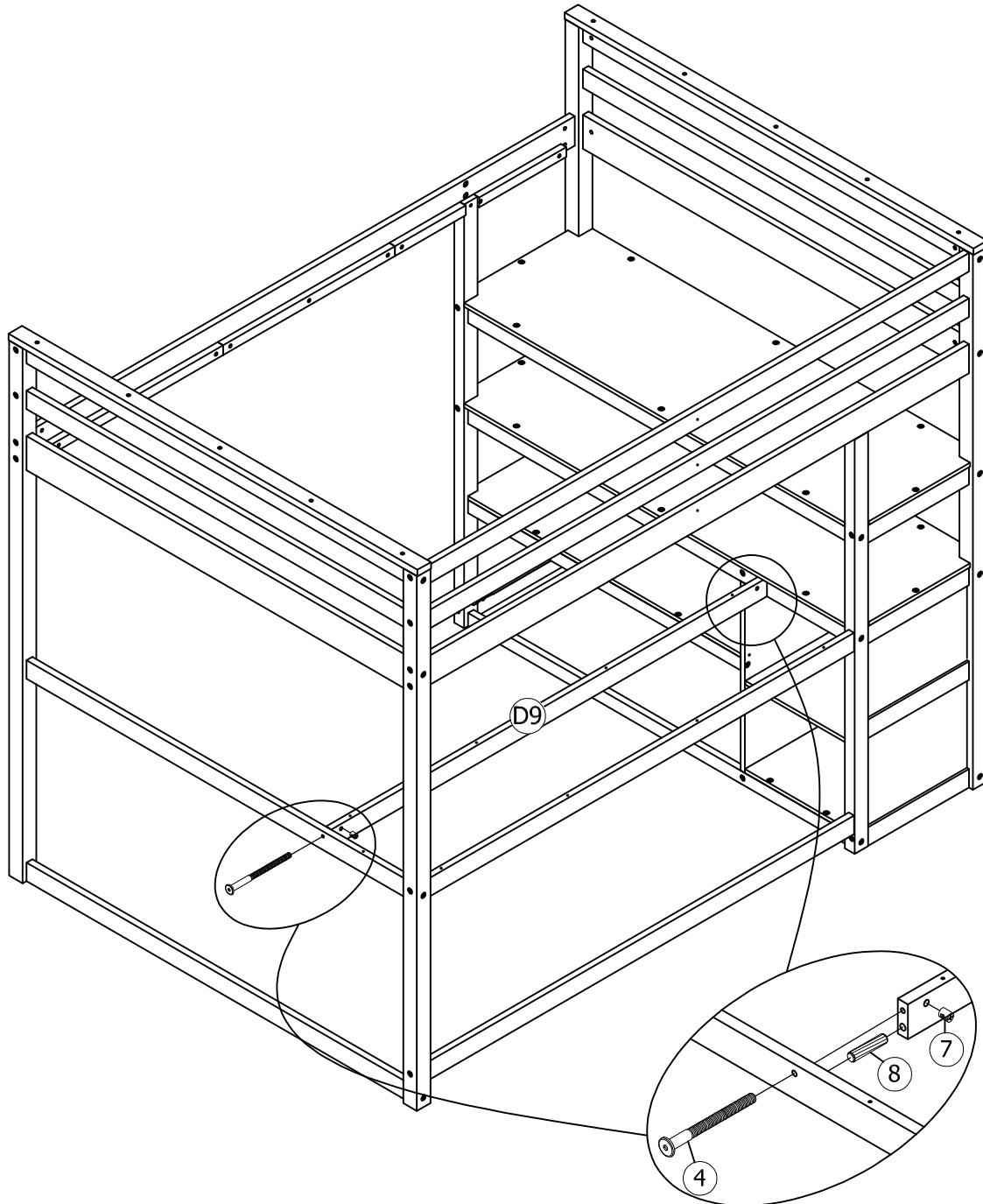


2(pcs)

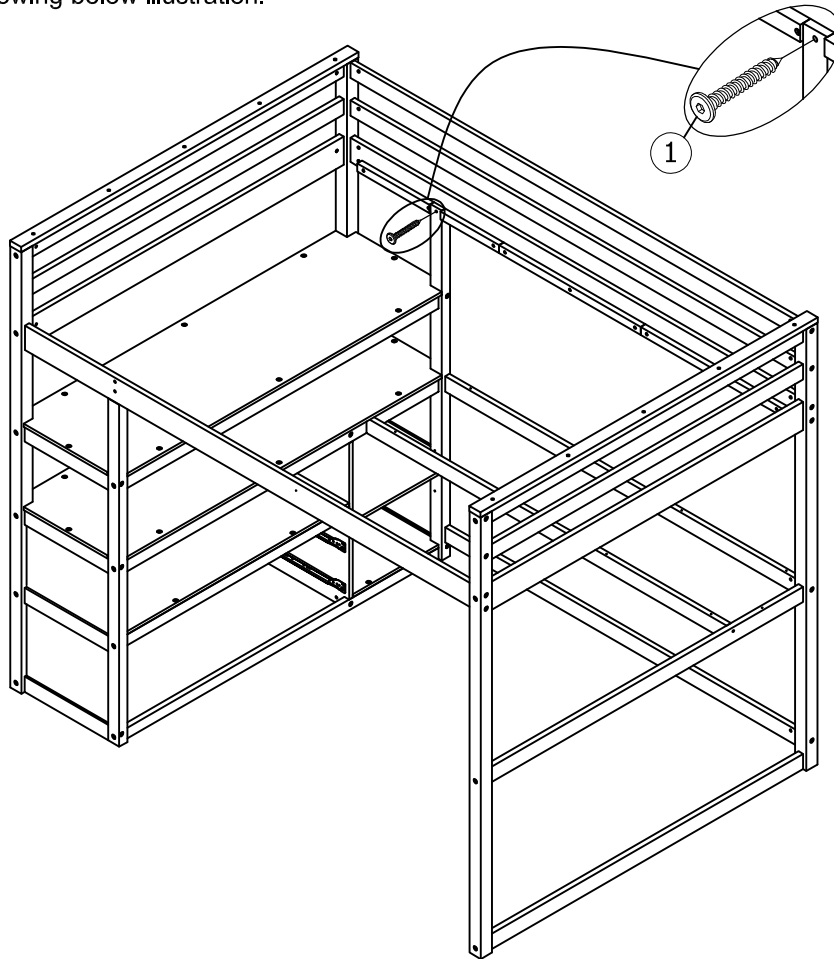
4



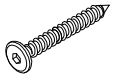
2(pcs)



STEP28: Following below illustration.

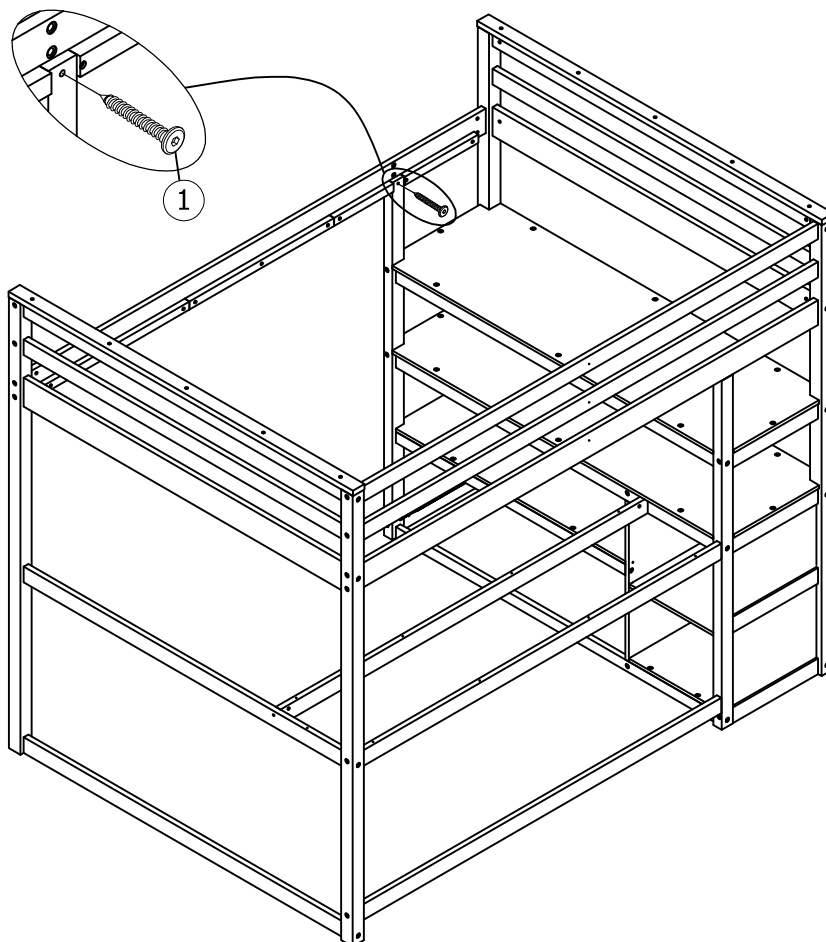


1



1(pc)

STEP29: Following below illustration.

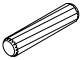




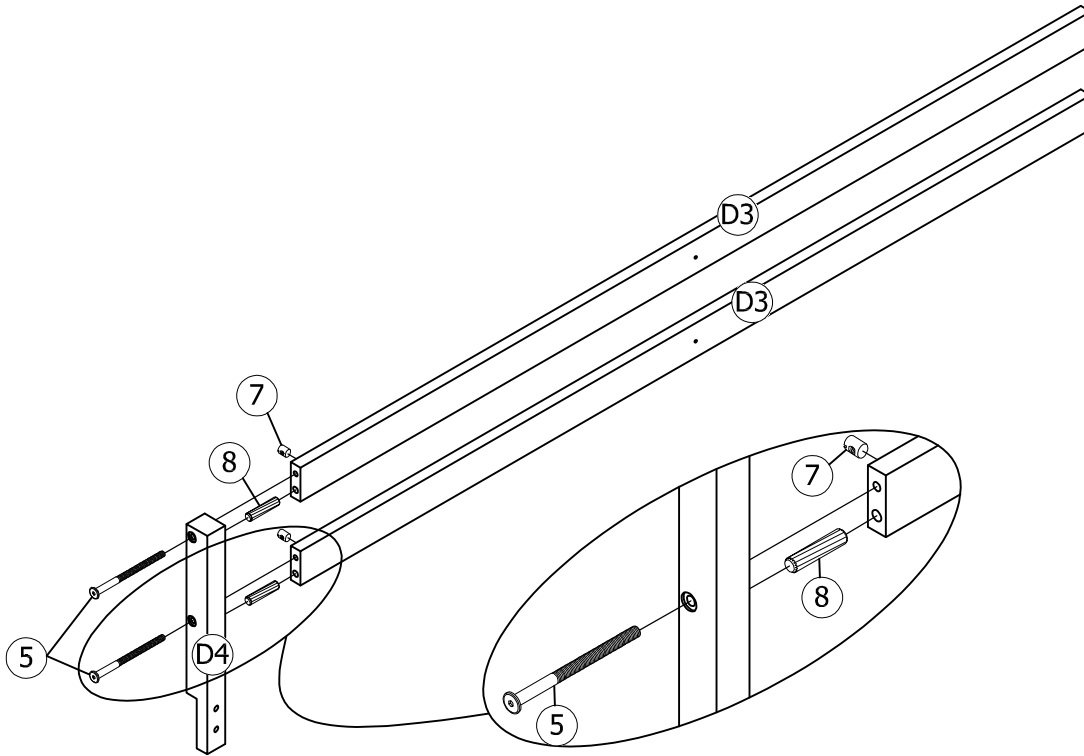
1



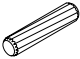


1(pc)

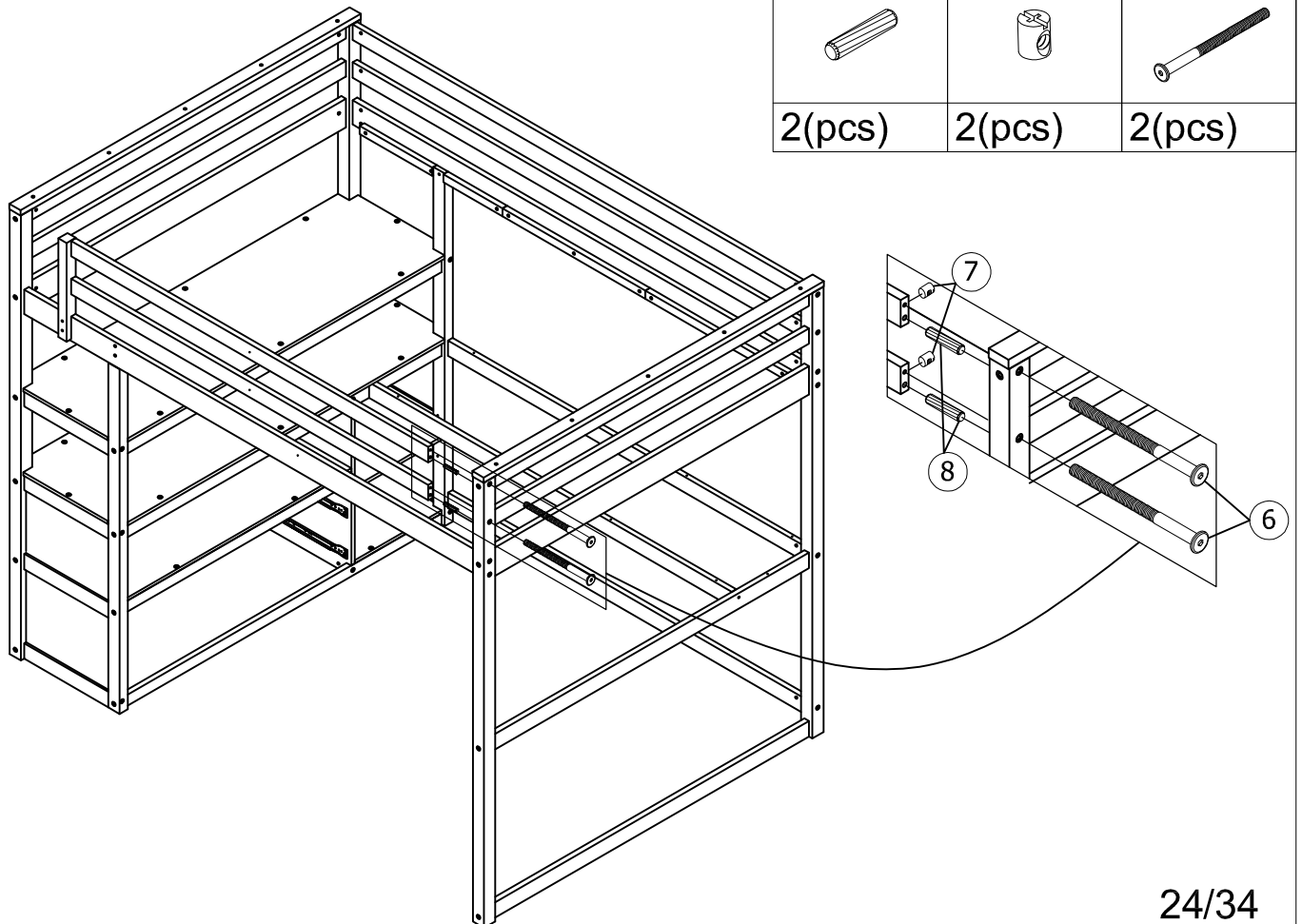
STEP30: Following below illustration.

8	7	5
		
2(pcs)	2(pcs)	2(pcs)

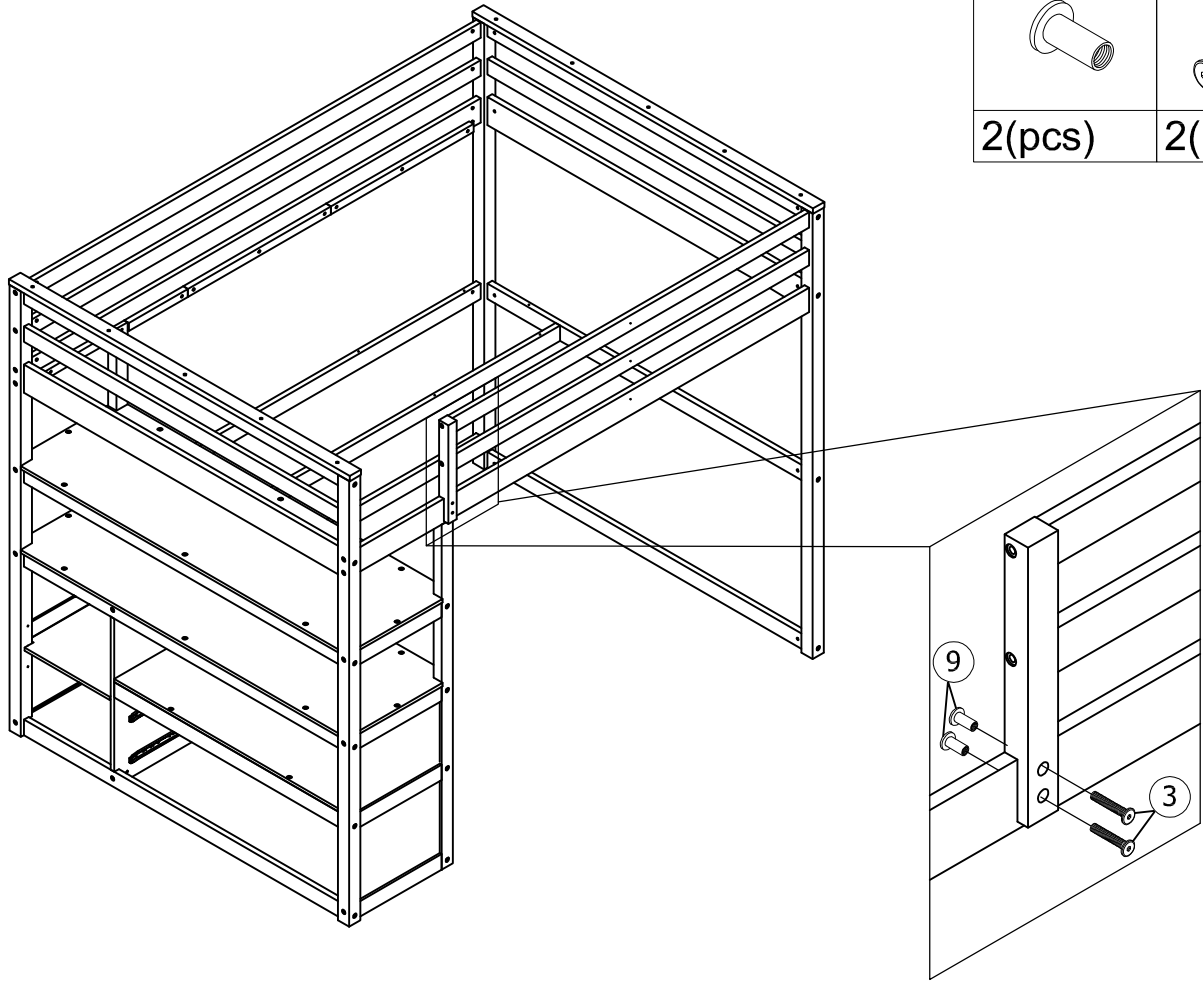


STEP31: Following below illustration.

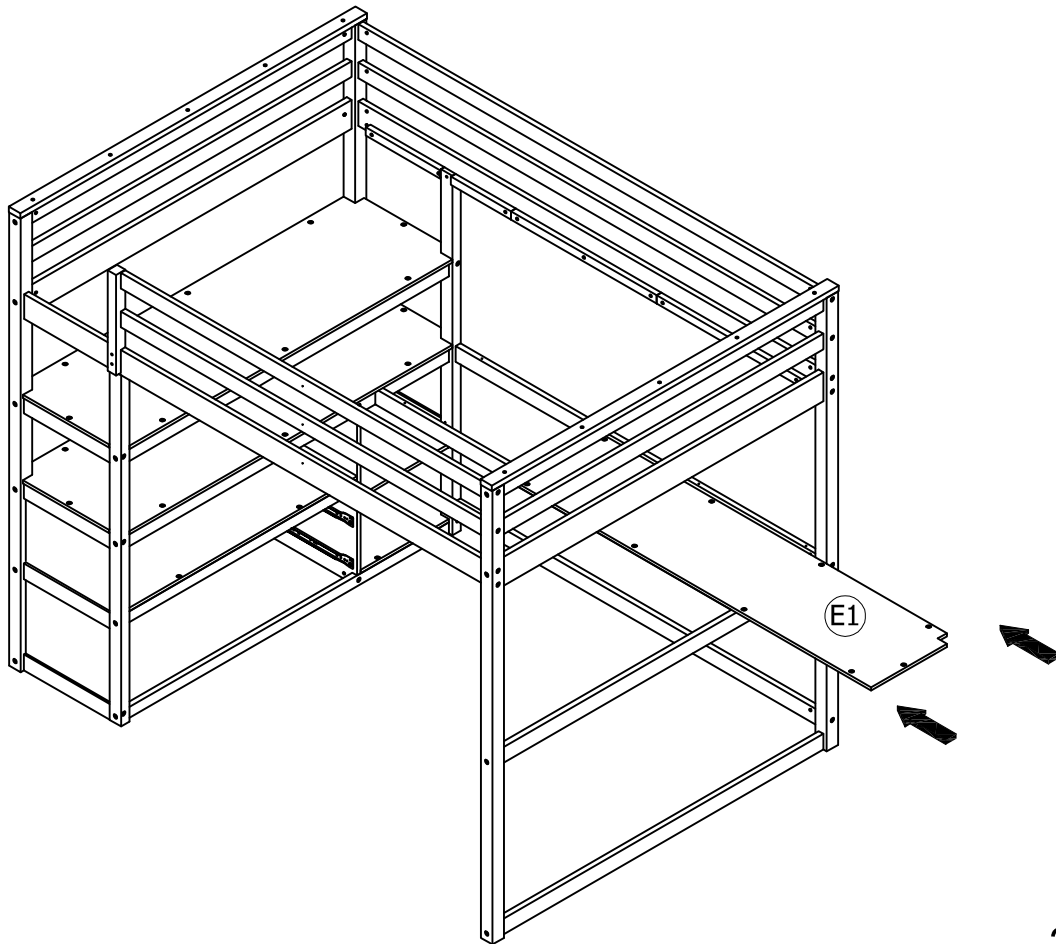
8	7	6
		
2(pcs)	2(pcs)	2(pcs)



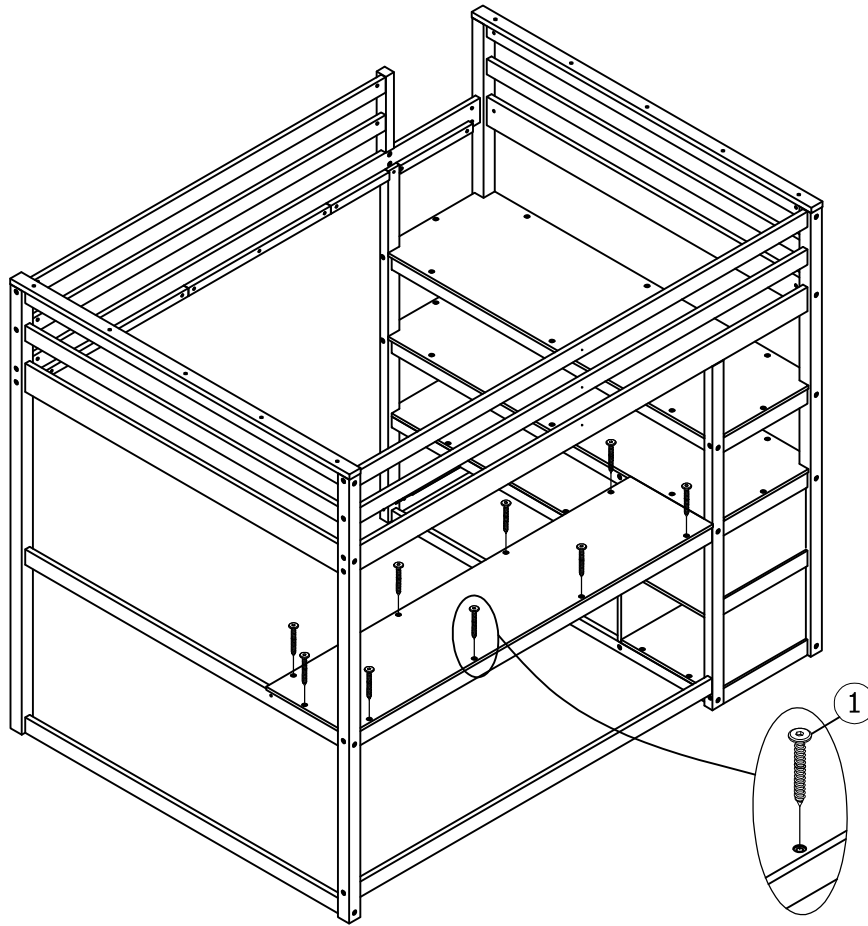
STEP32: Following below illustration.

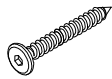


STEP33: Following below illustration.

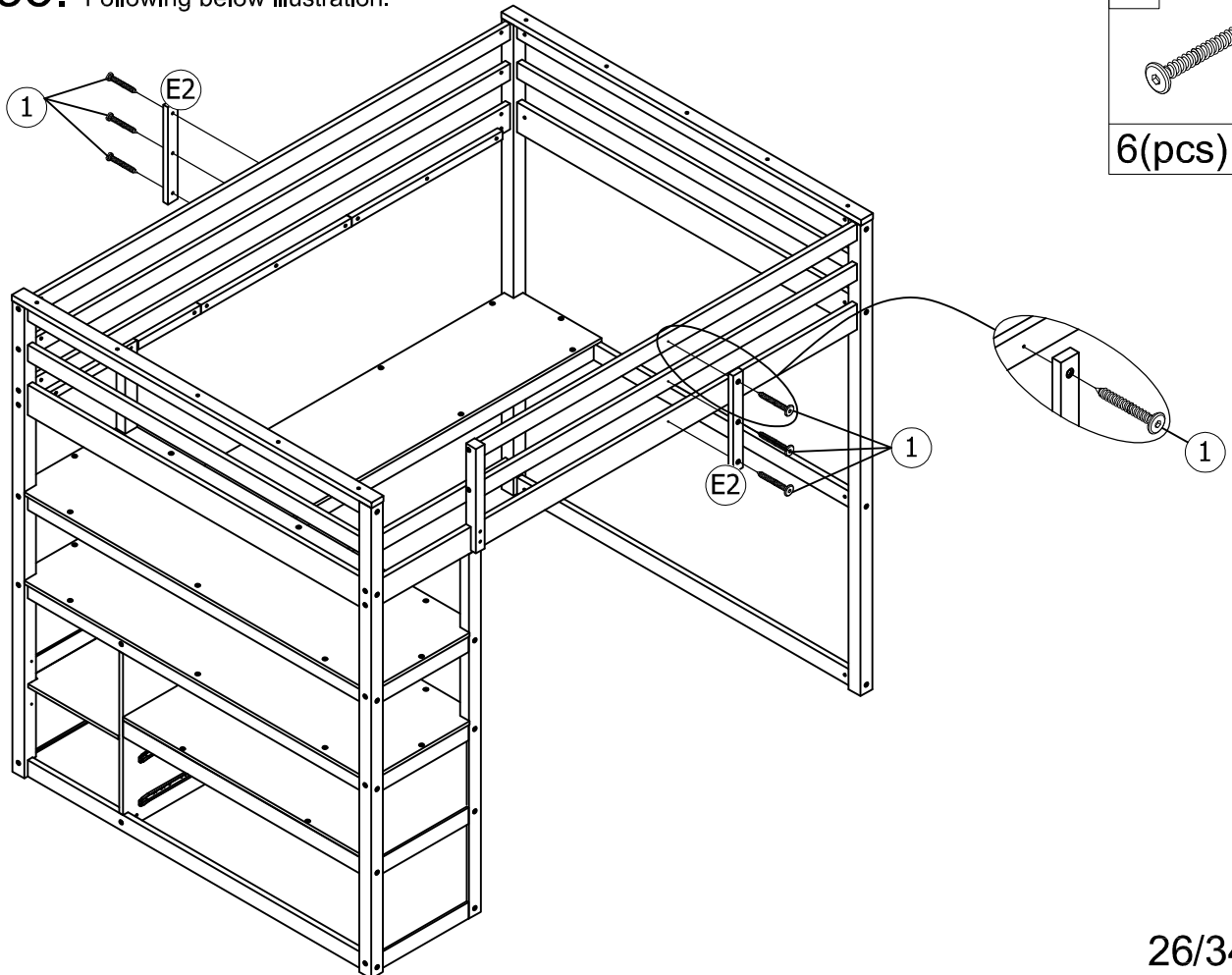


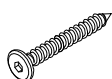
STEP34: Following below illustration.



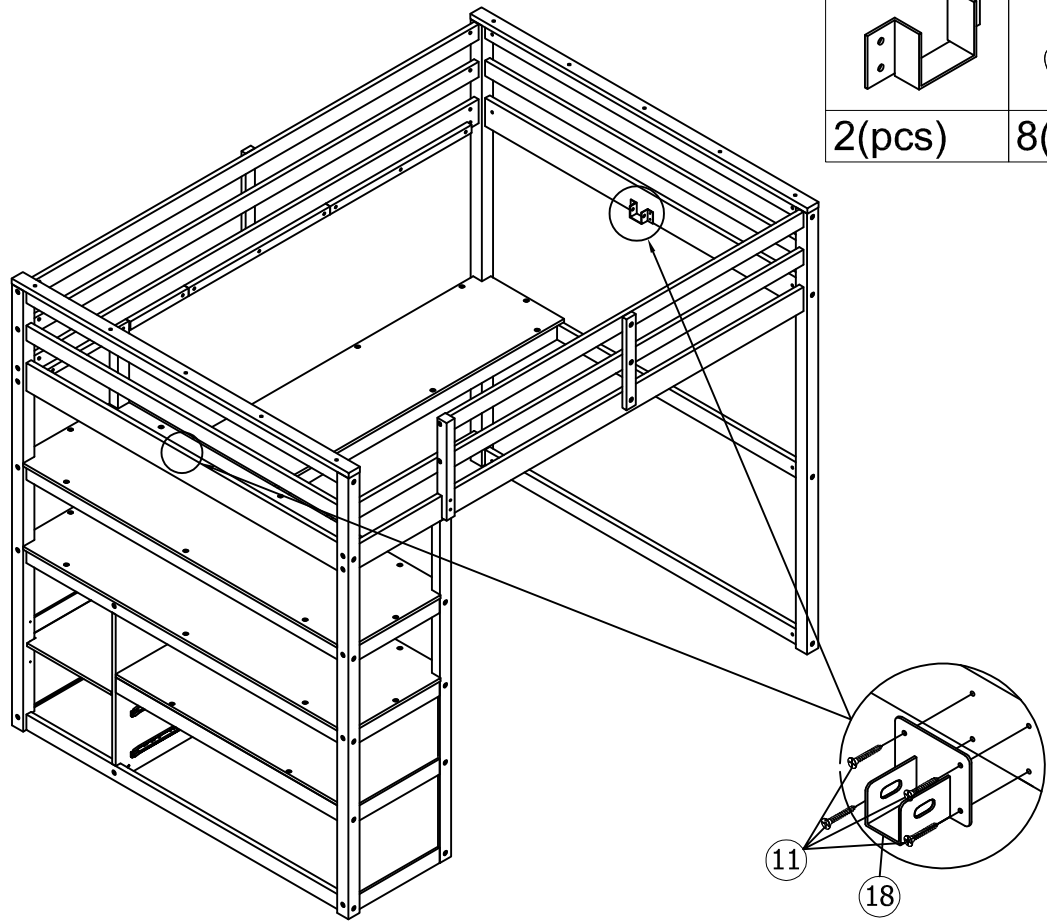
1

9(pcs)

STEP35: Following below illustration.

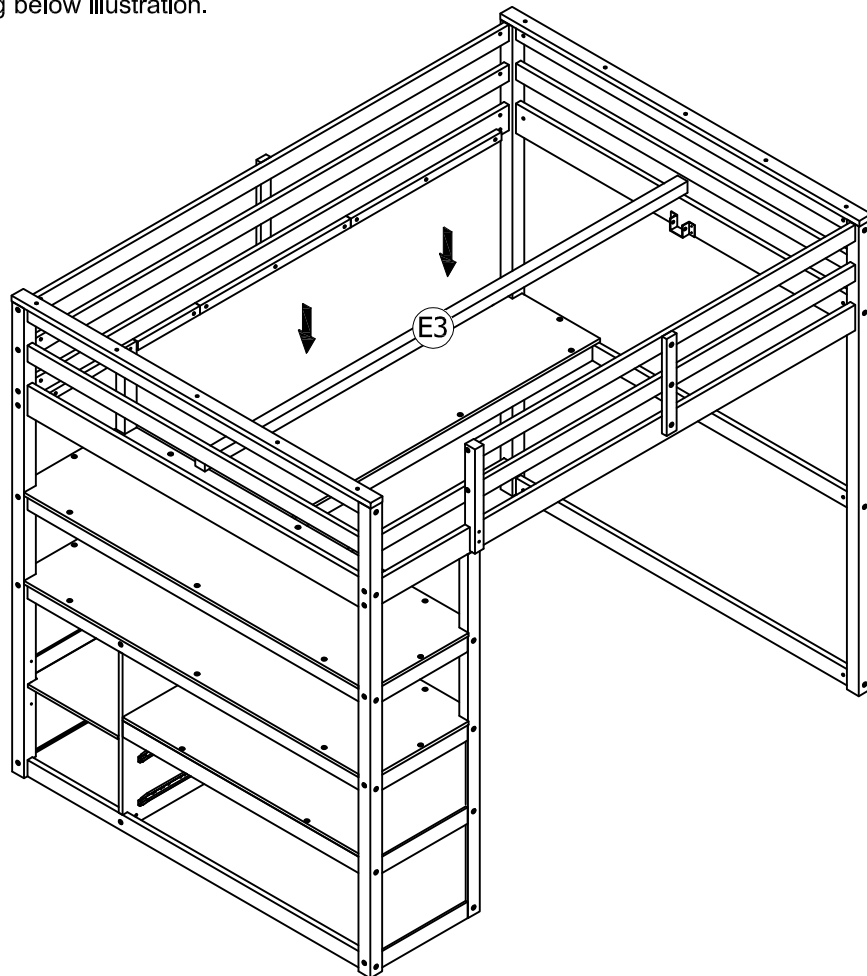


1

6(pcs)

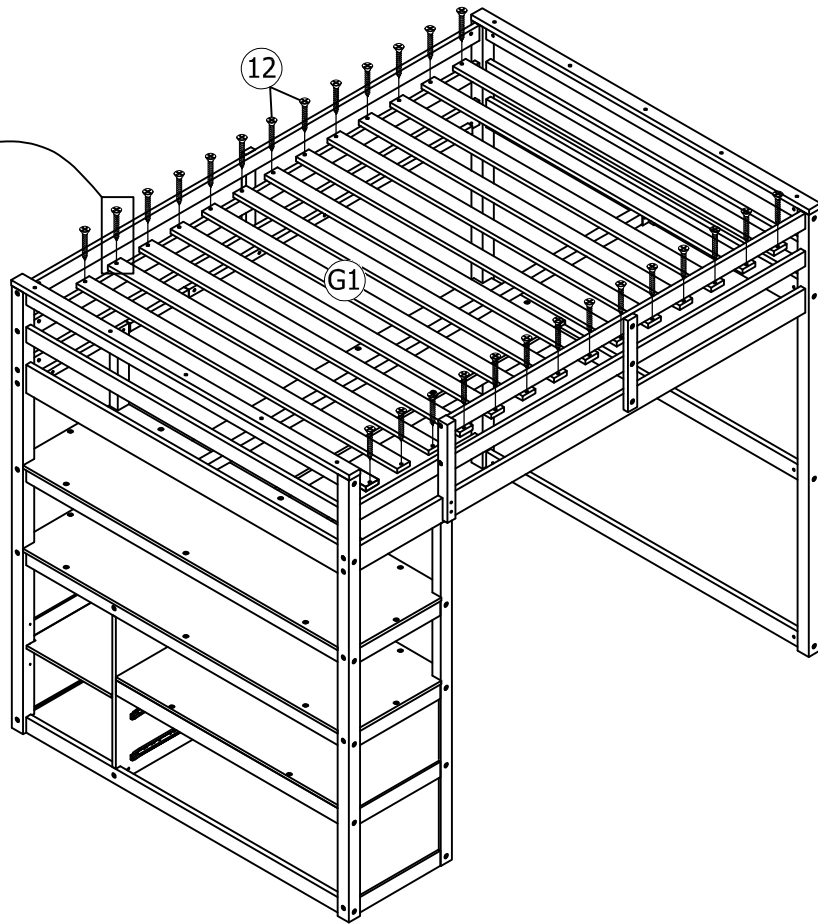
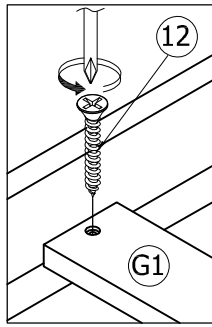
STEP36: Following below illustration.



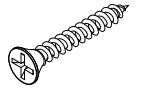
STEP37: Following below illustration.



STEP38: Following below illustration.

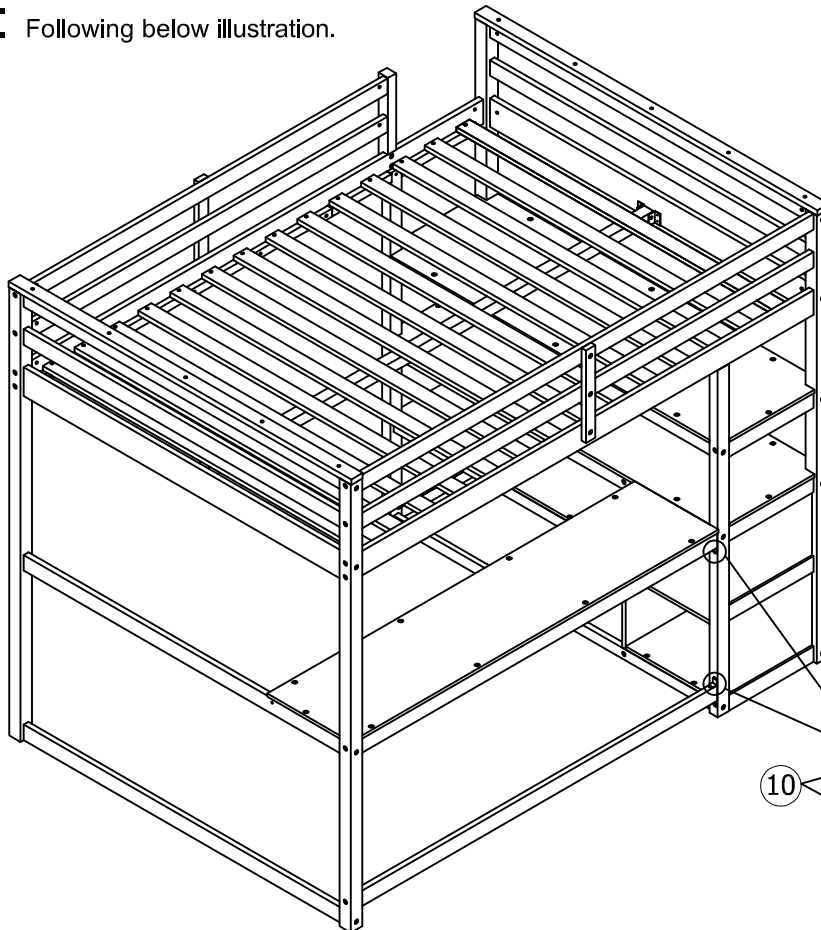


12

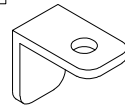


28(pcs)

STEP39: Following below illustration.

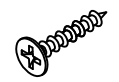


16

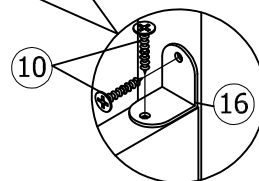


2(pcs)

10



4(pcs)

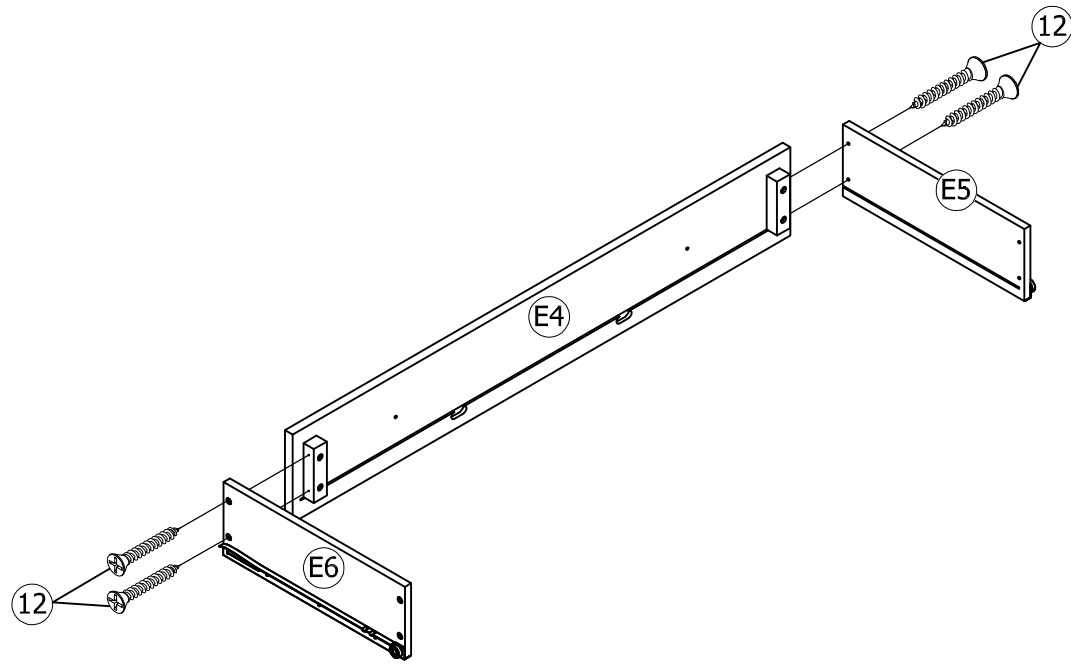


STEP40 x2: Following below illustration.

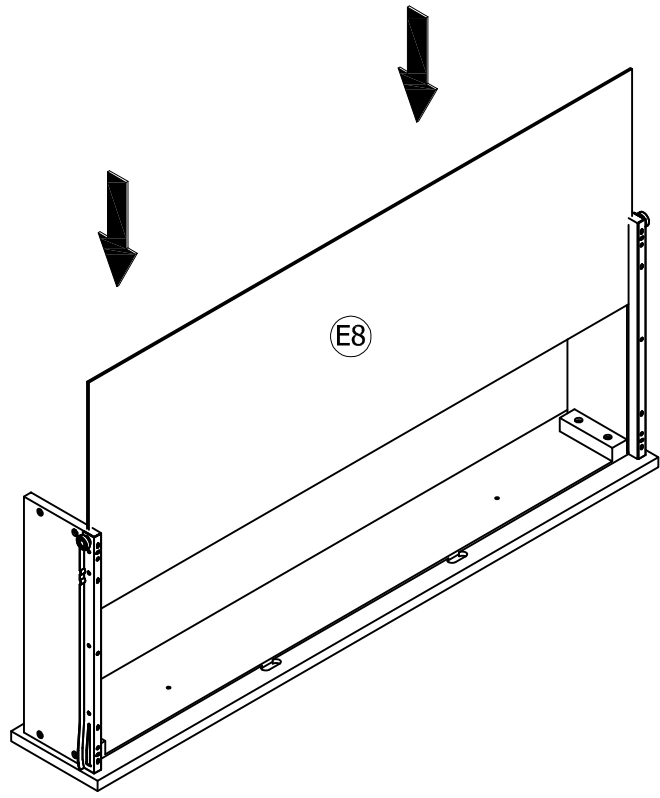
12



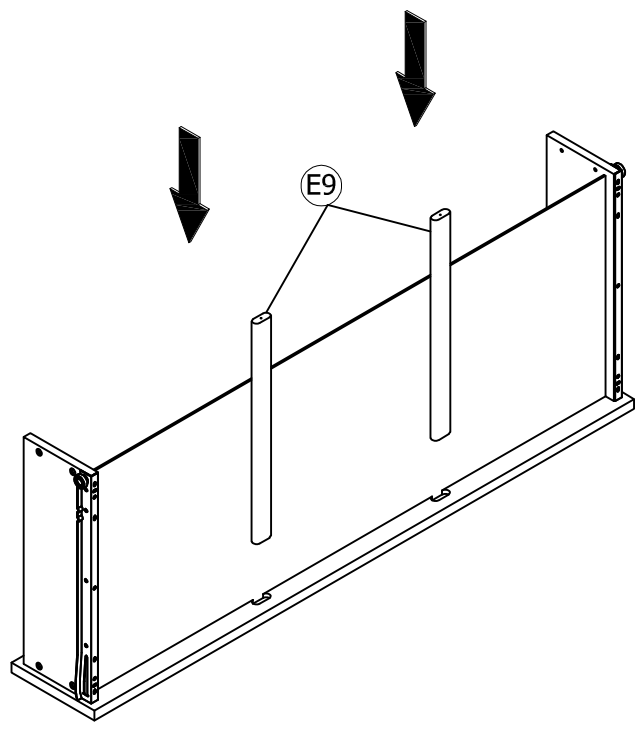
8(pcs)




STEP41 x2: Following below illustration.

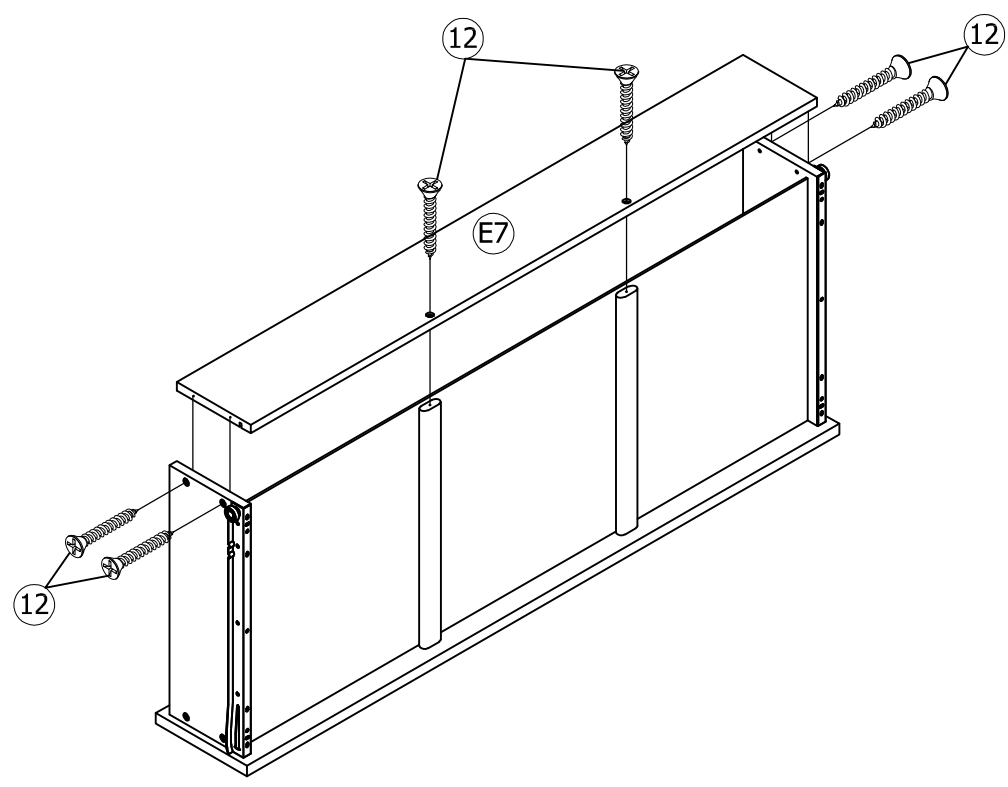


STEP42x2: Following below illustration.





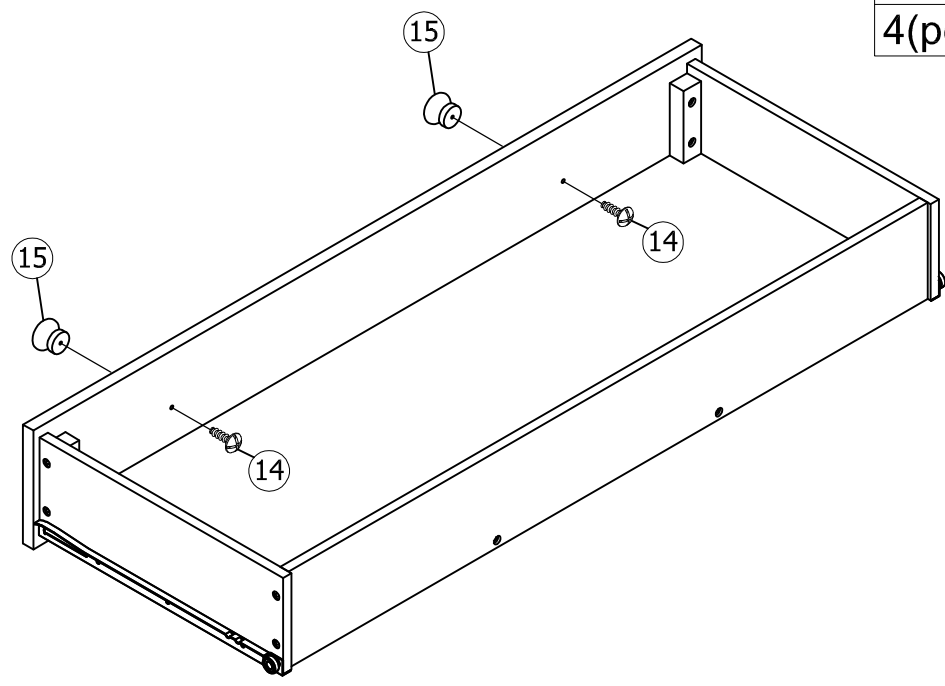
STEP43x2: Following below illustration.

12

12(pcs)

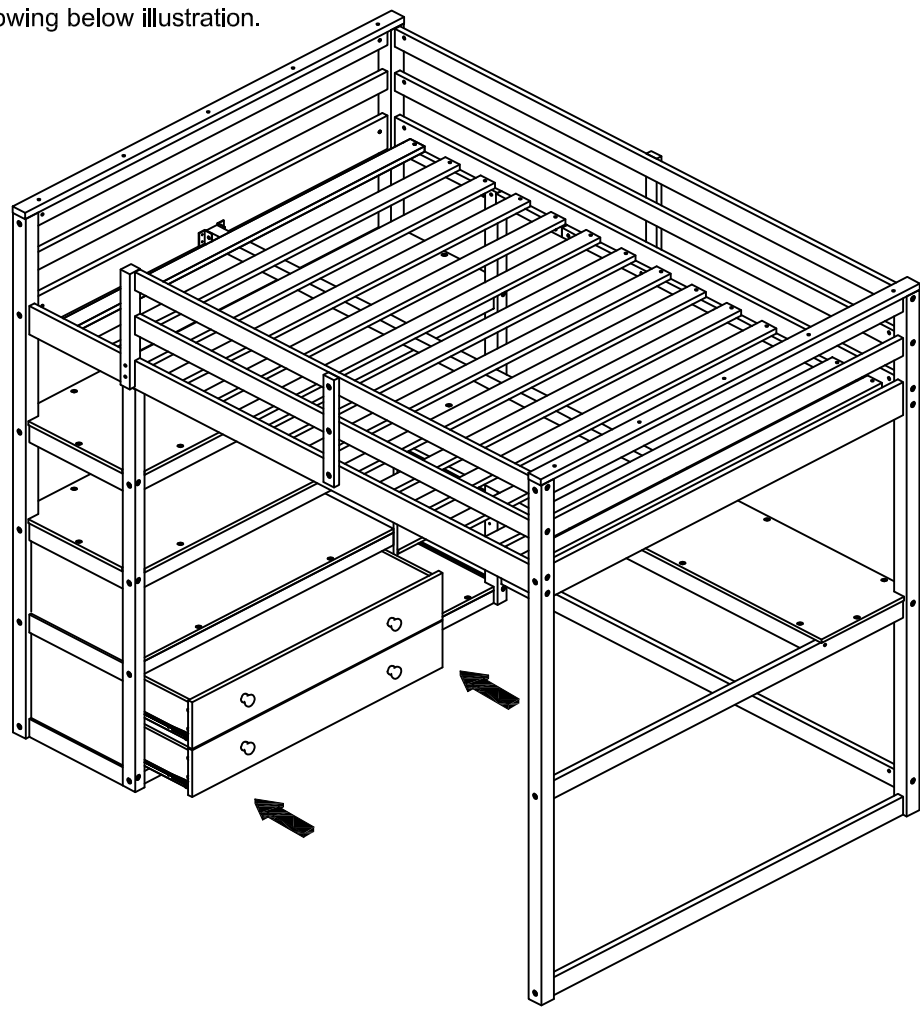


STEP44x2: Following below illustration.

15	14
	
4(pcs)	4(pcs)

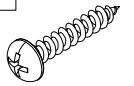


STEP45: Following below illustration.

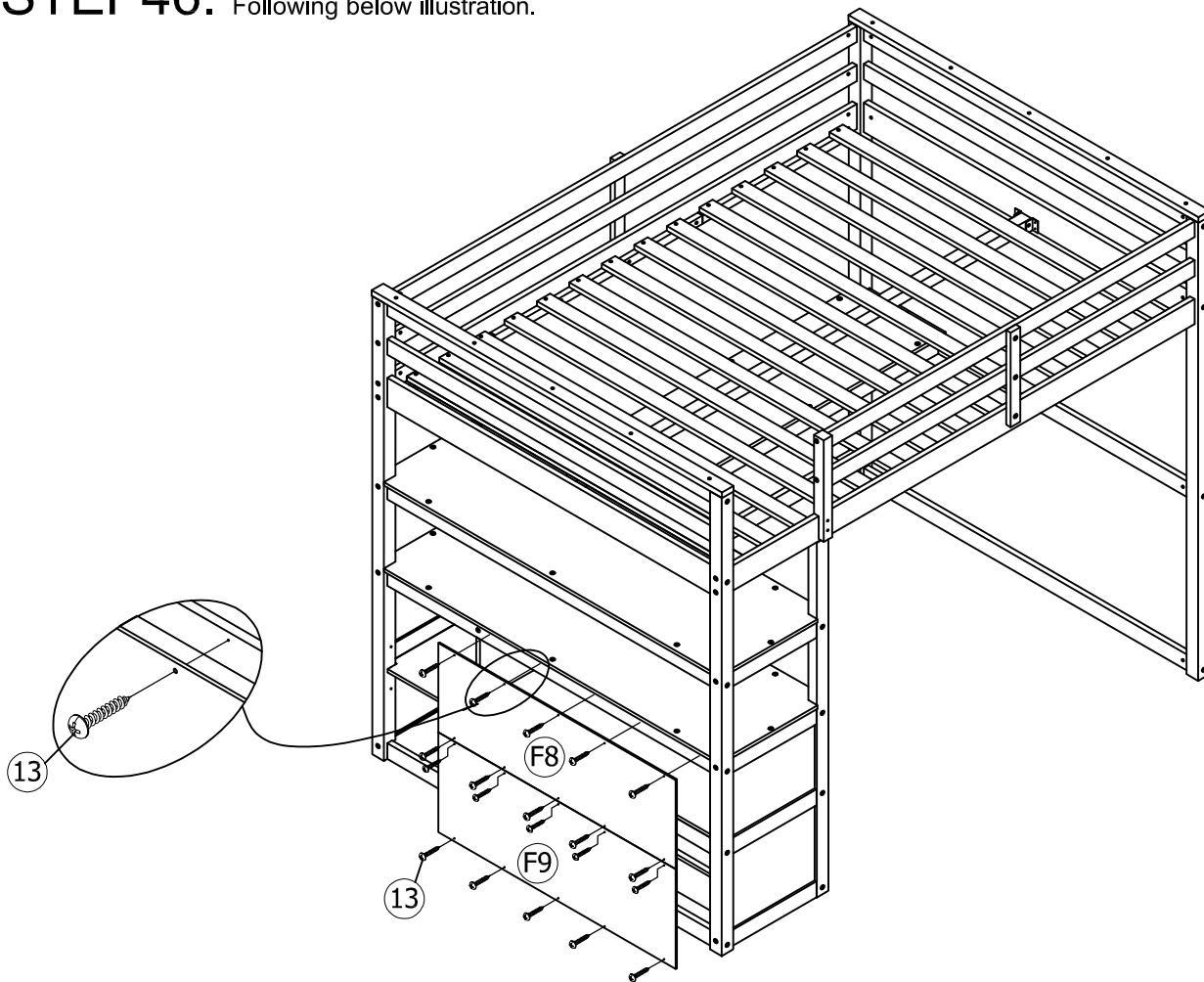


STEP46: Following below illustration.

13



20(pcs)

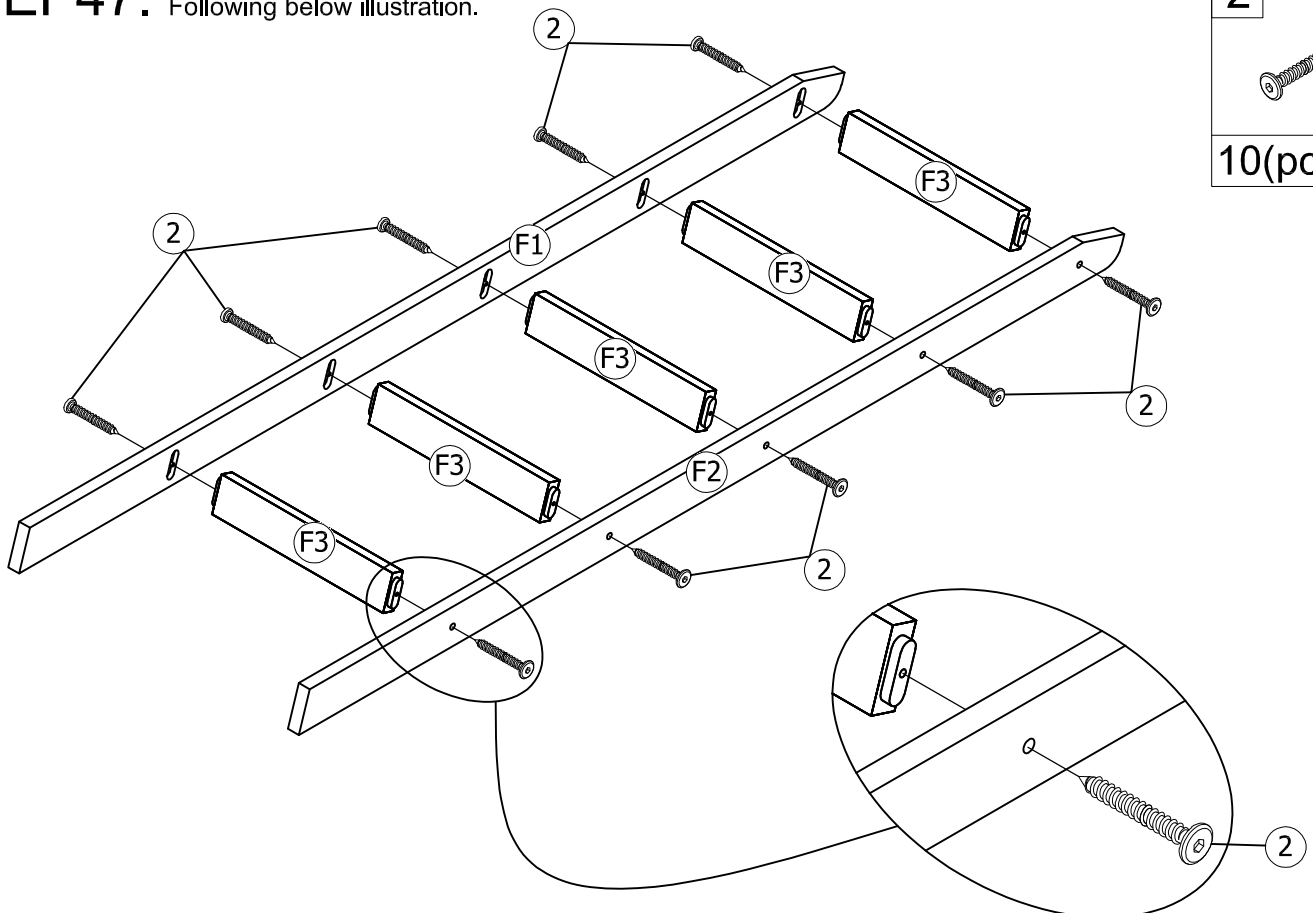


STEP47: Following below illustration.

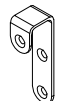

2

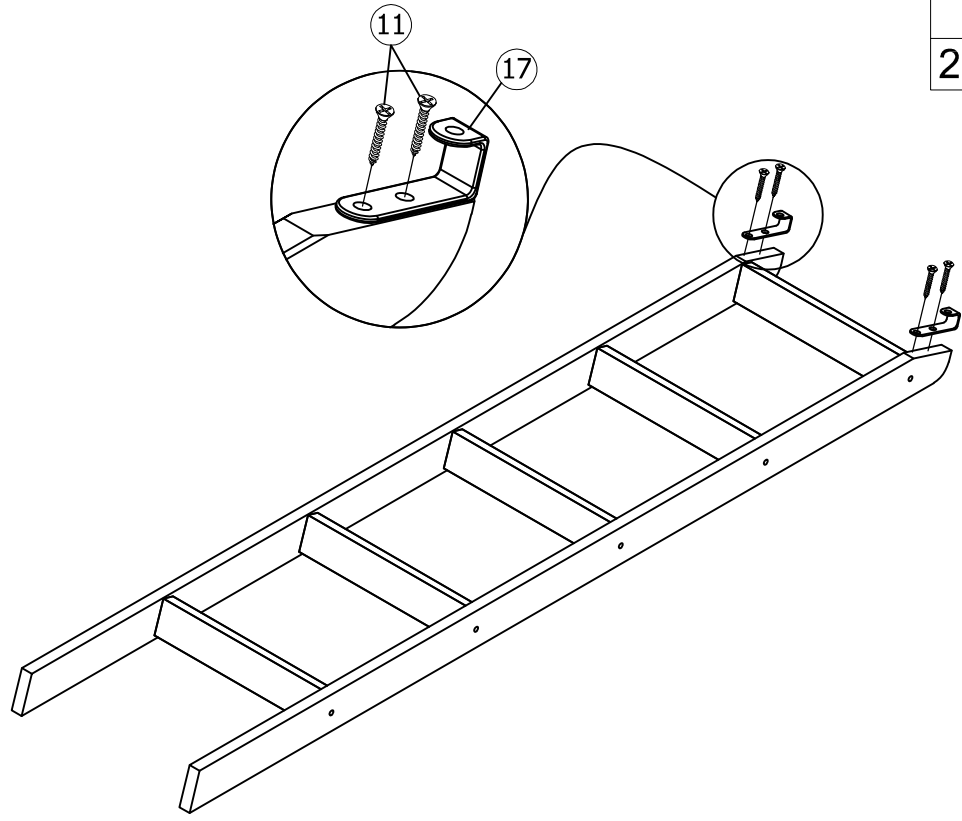


10(pcs)




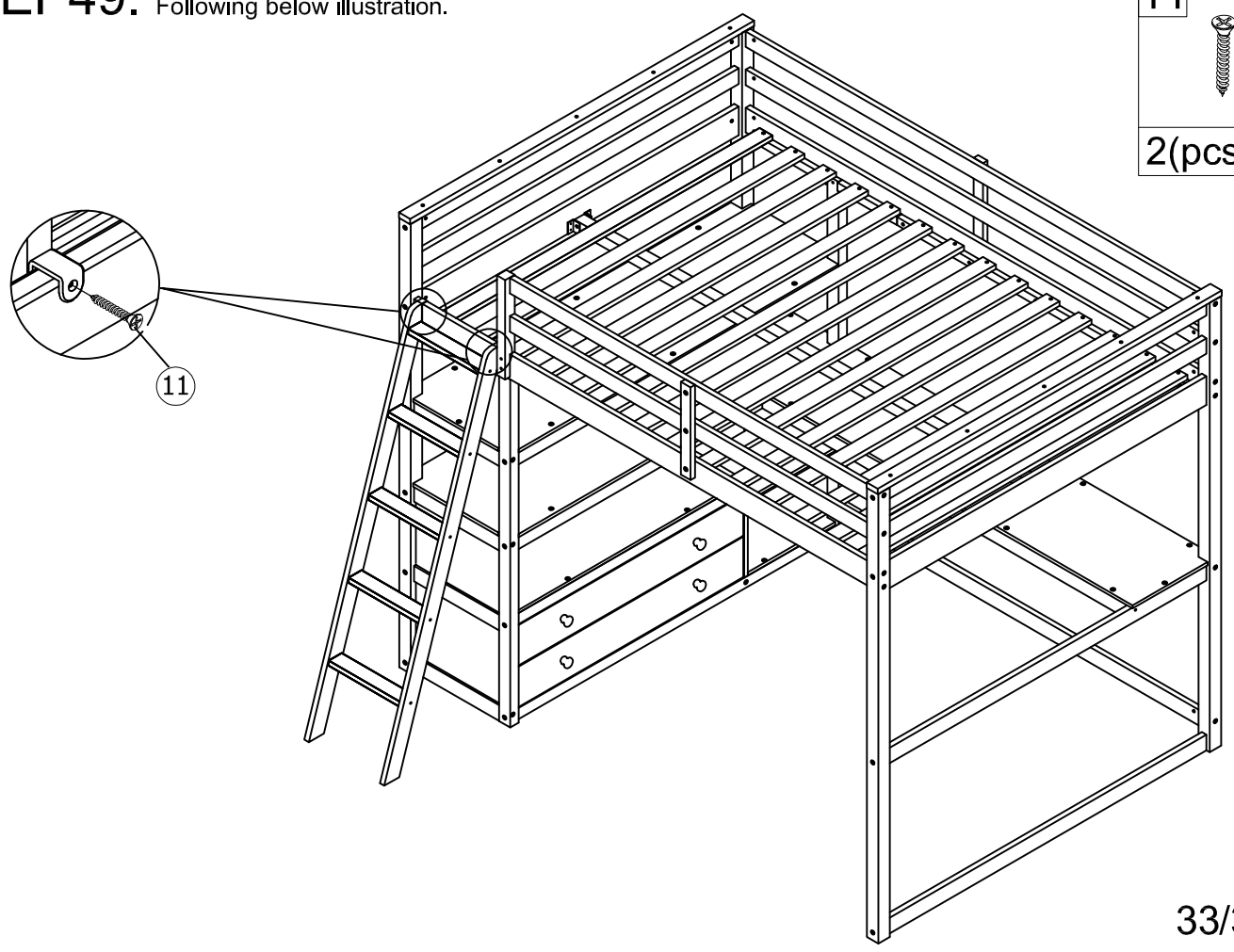
STEP48: Following below illustration.

17		11	
	2(pcs)		4(pcs)

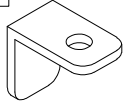



STEP49: Following below illustration.

11	
	2(pcs)



STEP50: Following below illustration.

16	10
	
2(pcs)	4(pcs)

