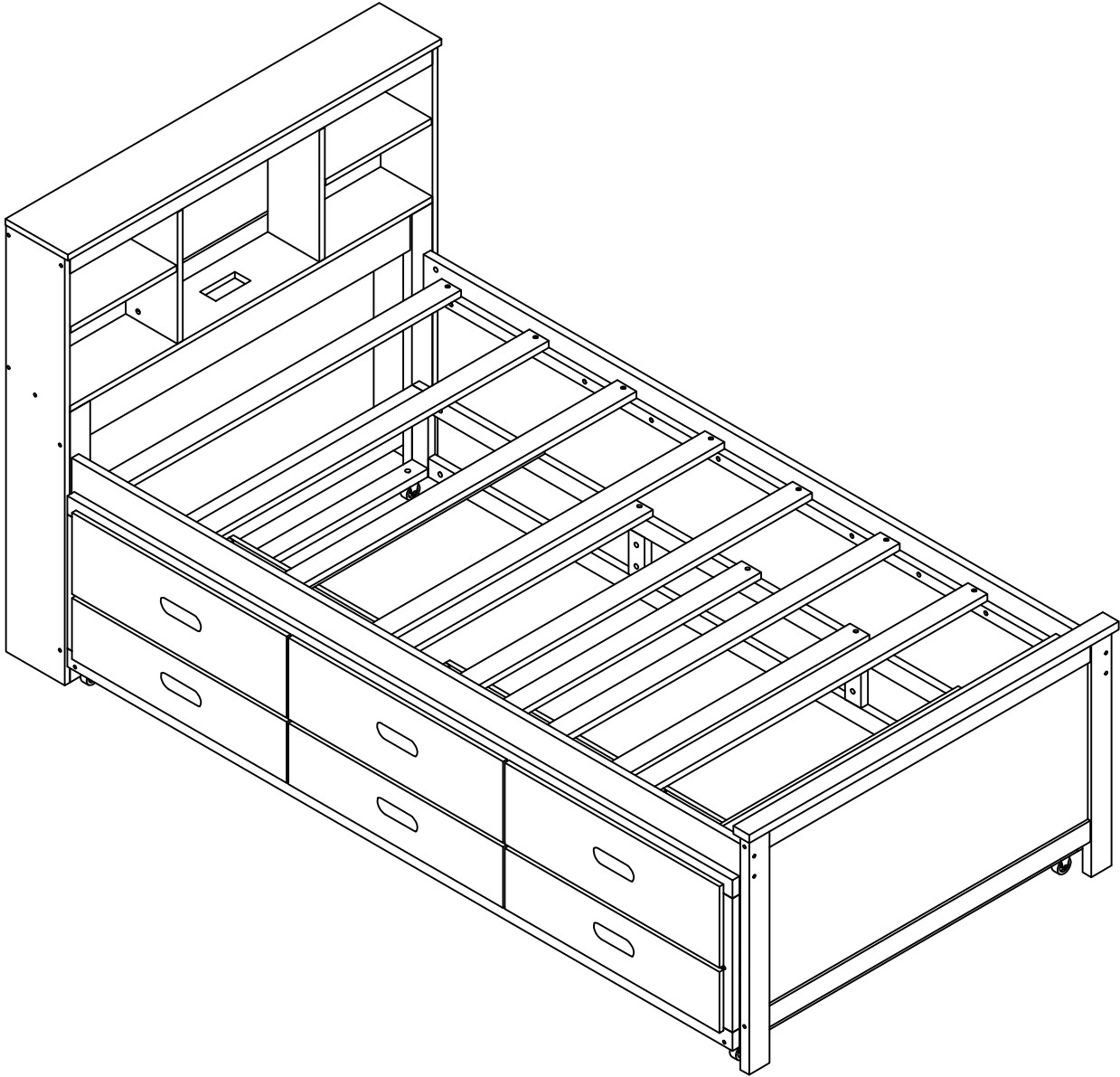


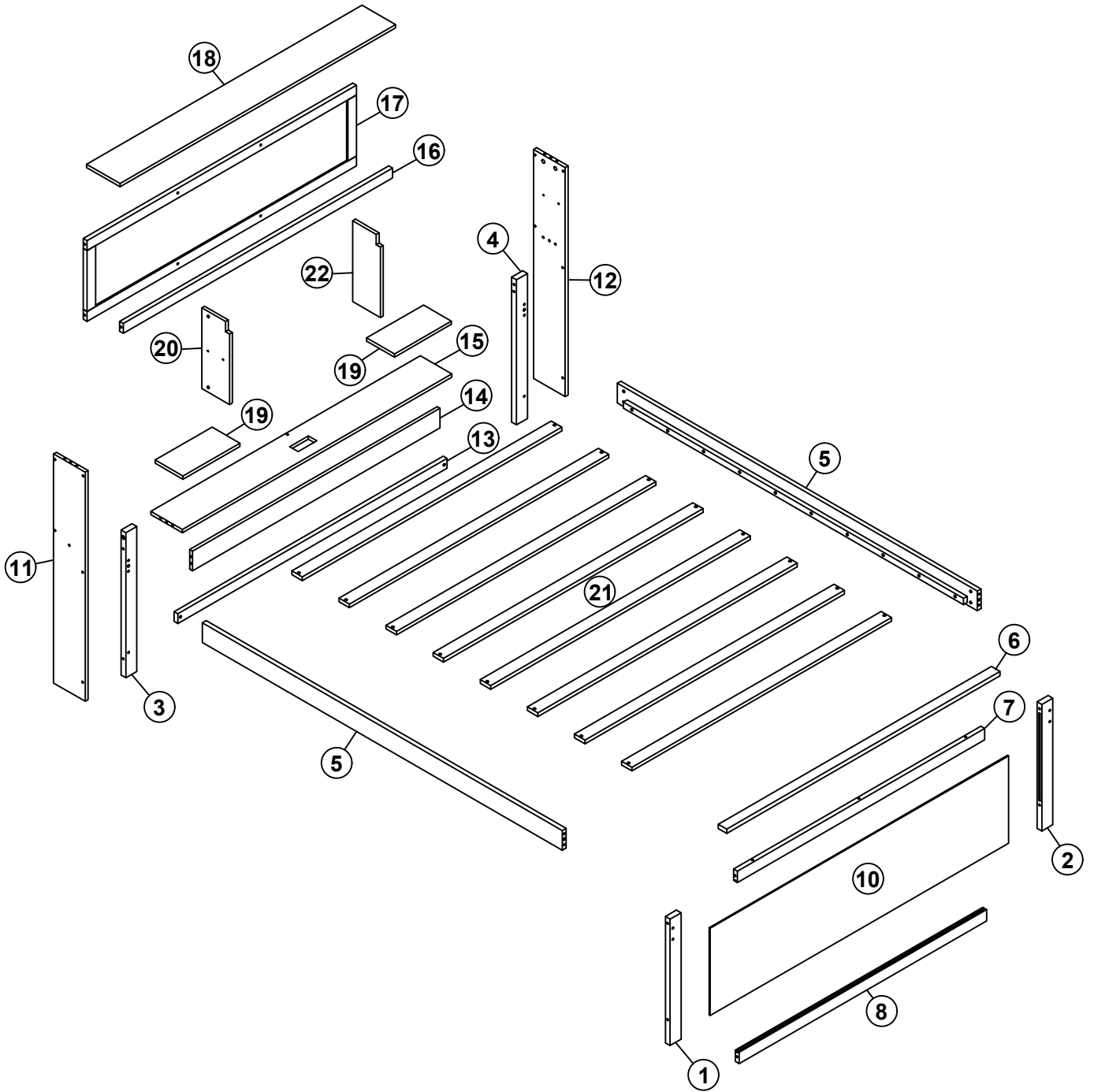
ASSEMBLY INSTRUCTIONS

TWIN BED WITH BOOKCASE & TRUNDLE

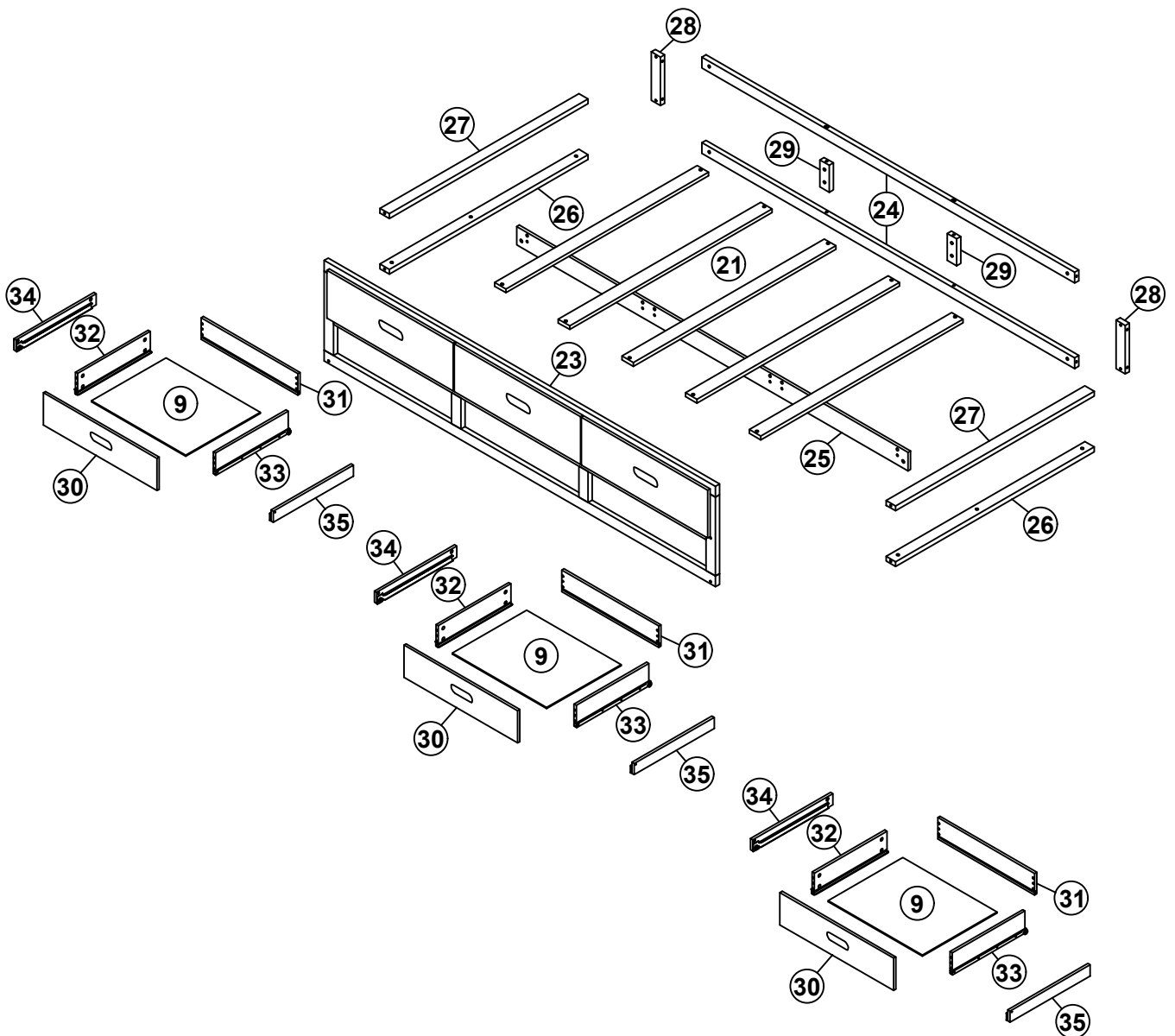


WF313210/WF313211

ASSEMBLY INSTRUCTIONS



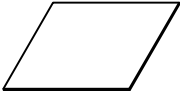
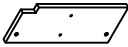
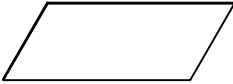
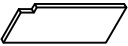

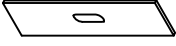
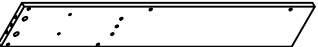





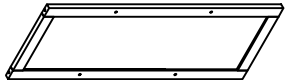

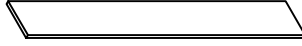

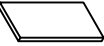
ASSEMBLY INSTRUCTIONS



ASSEMBLY INSTRUCTIONS

PARTS LIST

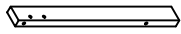
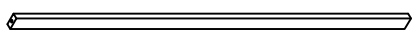

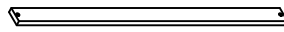
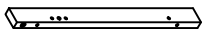
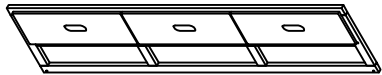
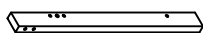
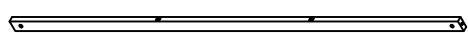
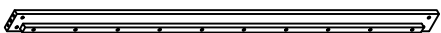
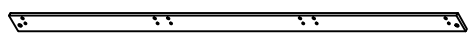
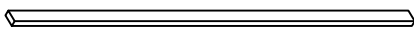
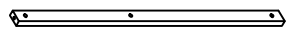
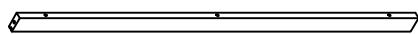
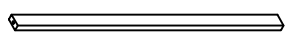

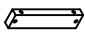
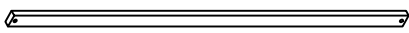

WF313210 (Hardware in this SKU)

9	Bottom drawers 	3pcs	20	Side shelves 	1pc
10	Headboard frames 	1pc	22	Side shelves 	1pc
11	Side shelves 	1pc	30	Front drawers 	3pcs
12	Side shelves 	1pc	31	Back drawers 	3pcs
14	Front shelves 	1pc	32	Side drawers 	3pcs
15	Shelves panels 	1pc	33	Side drawers 	3pcs
17	Back shelves 	1pc	34	Side drawers support 	3pcs
18	Top shelves 	1pc	35	Side drawers support 	3pcs
19	Shelves panels 	2pcs			

ASSEMBLY INSTRUCTIONS




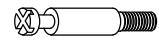






















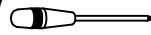

PARTS LIST

WF313211

1	Leg 	1pc	16	Shelves panels 	1pc
2	Leg 	1pc	21	Slats 	13pcs
3	Leg 	1pc	23	Front trundle frames 	1pc
4	Leg 	1pc	24	Back trundle frames 	2pcs
5	Side rails 	2pcs	25	Back drawers frames 	1pc
6	Headboard top panel 	1pc	26	Side drawers frames 	2pcs
7	Headboard frames 	1pc	27	Side drawers frames 	2pcs
8	Headboard frames 	1pc	28	Side trundle frames 	2pcs
13	Headboard panels 	1pc	29	Trundle frames support 	2pcs

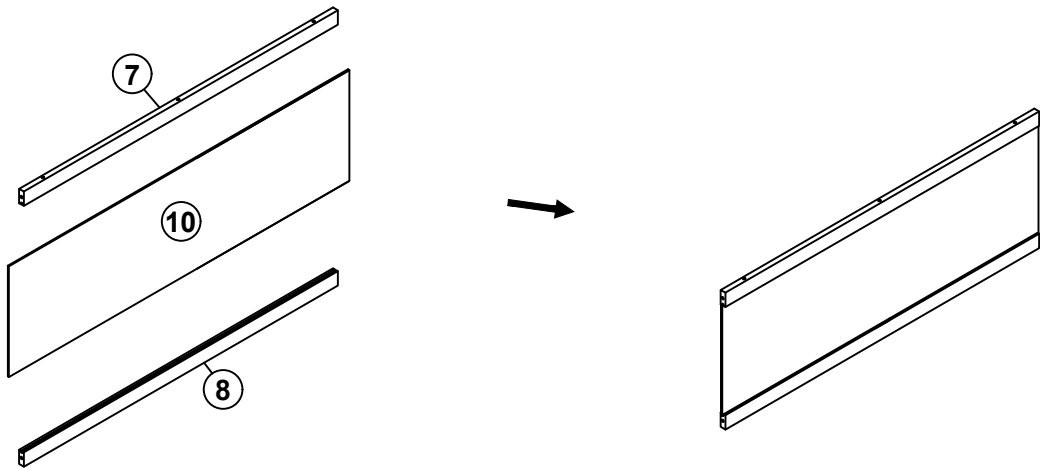
ASSEMBLY INSTRUCTIONS

HARDWARE LIST (WF313210)

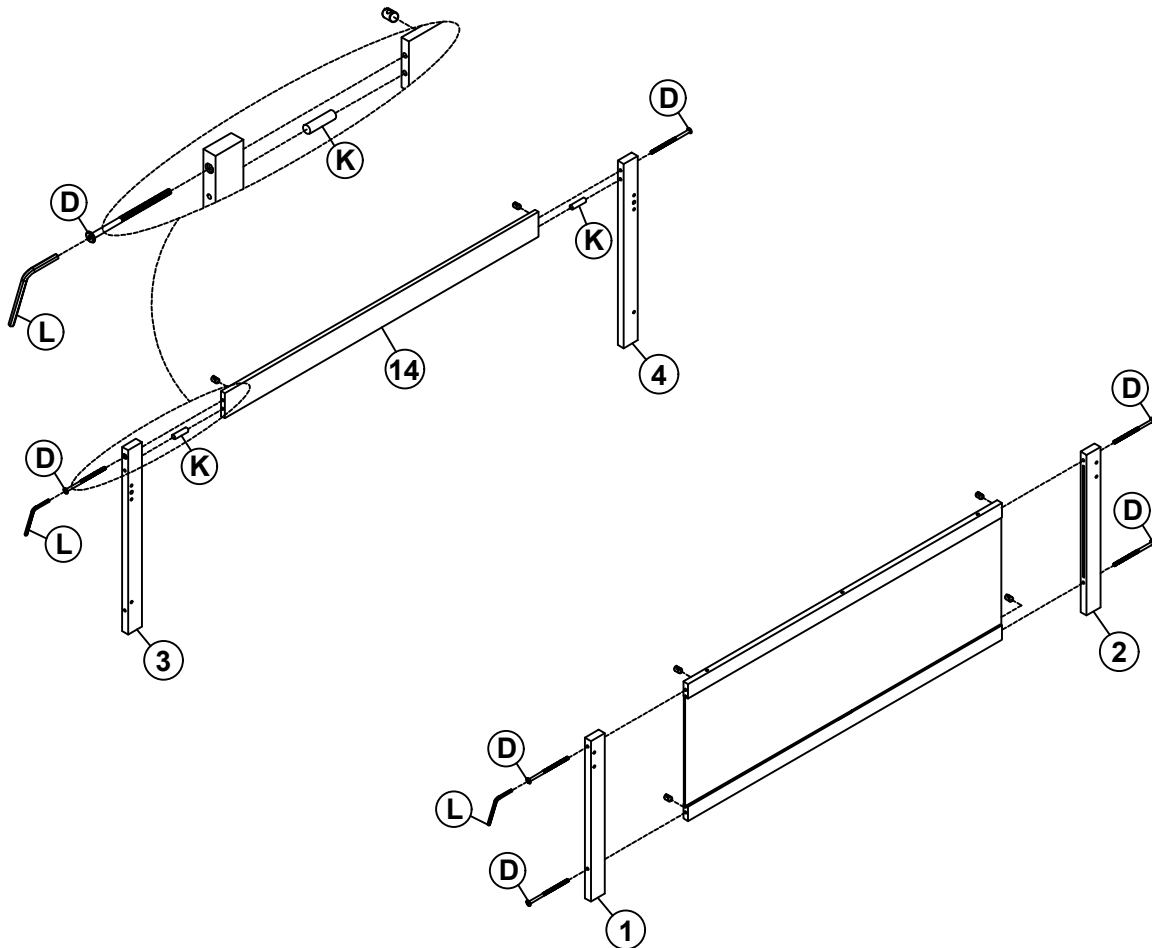
A	Ø4x30		26PCS	L	4x58		1PC
B	Ø4x25		6PCS	M	Ø 6.5x35		39PCS
C	Ø3.5x15		40PCS	N	Ø15x12		4PCS
D	1/4x110	 	6PCS	O	Ø12x10		35PCS
E	1/4x90	 	8PCS	P	18x18x2		7PCS
F	1/4x75	 	8PCS	Q	20x17		8PCS
G	1/4x65	 	8PCS	R			1PC
H	1/4x60	 	16PCS	S	Ø38x46x38		4PCS
I	1/4x45	 	1PC	T	1/4x40	 	2PCS
J	Ø10x40		4PCS		Phillip head screw Not include		
K	Ø8x30		28PCS				




ASSEMBLY INSTRUCTIONS

Step 1



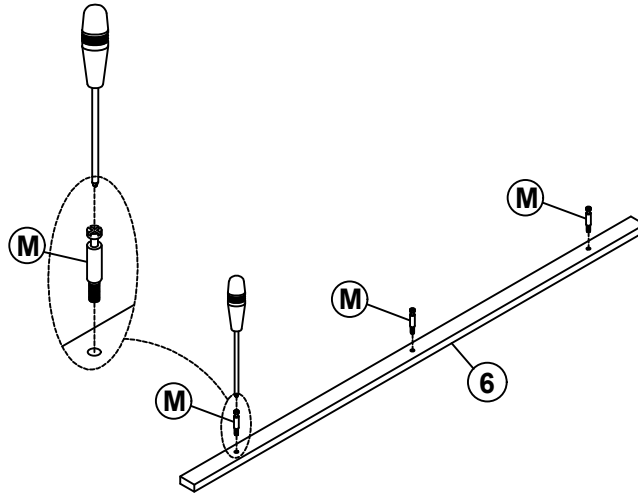
Step 2



L	4x58		1PC
D	1/4x110		6PCS
K	Ø8x30		2PCS

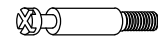
ASSEMBLY INSTRUCTIONS

Step 3



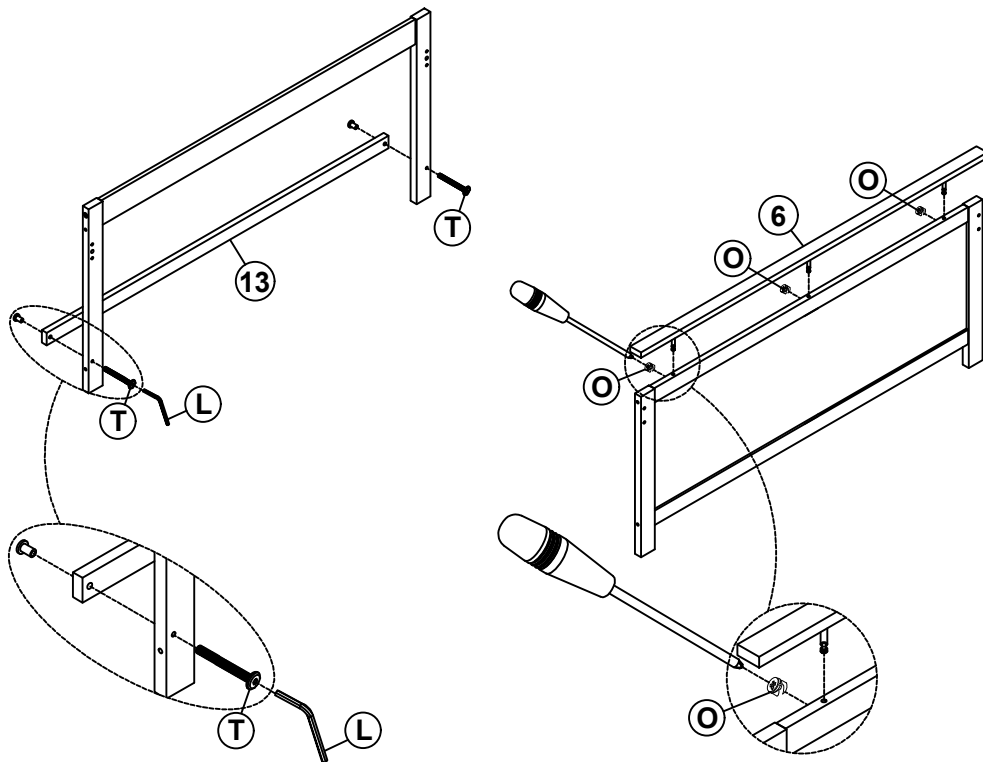
M

Ø 6.5x35



3PCS

Step 4



O

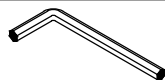
Ø12x10



3PCS

L

4x58



1PC

T

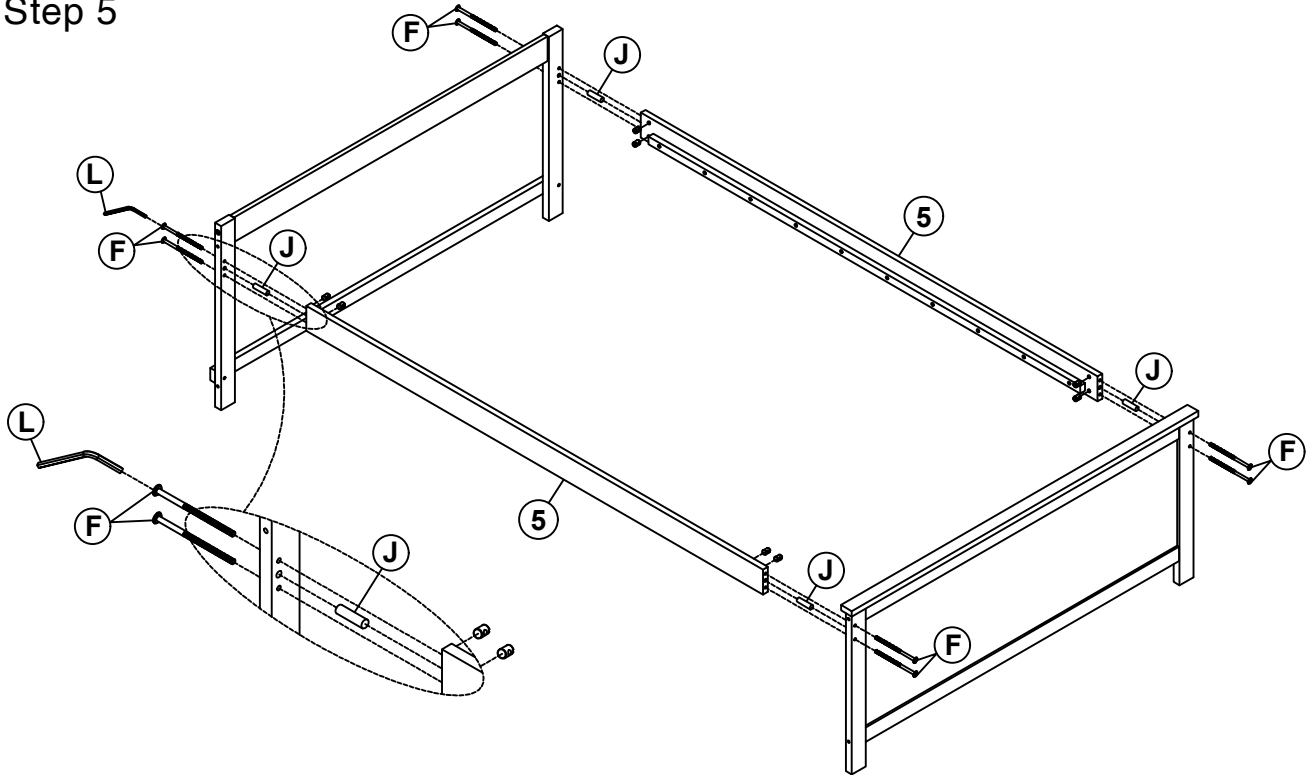
1/4x40






2PCS

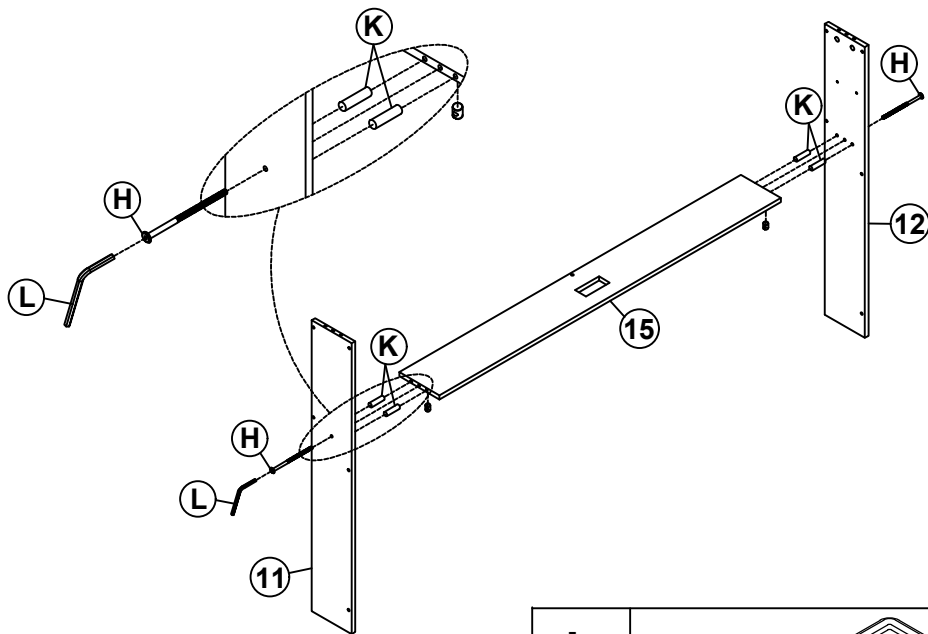
ASSEMBLY INSTRUCTIONS




Step 5



L	4x58		1PC
F	1/4x75		8PCS
J	Ø10x40		4PCS

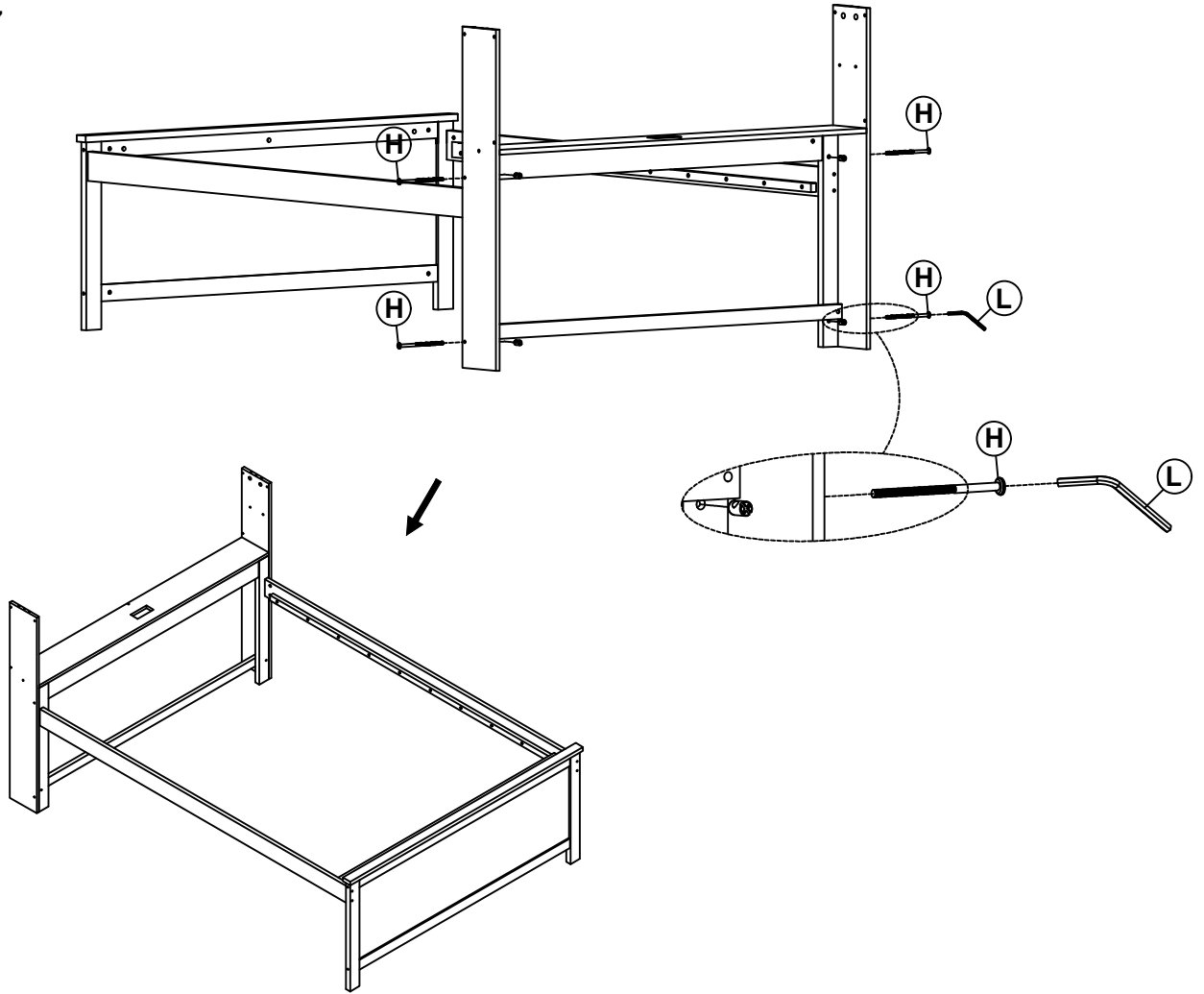
Step 6





L	4x58		1PC
H	1/4x60		2PCS
K	Ø8x30		4PCS

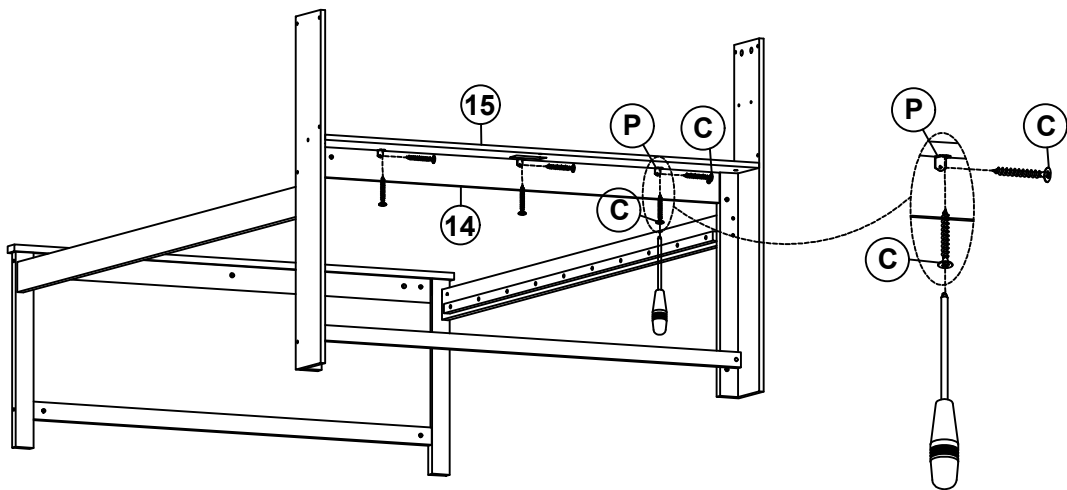
ASSEMBLY INSTRUCTIONS



Step 7



H	1/4x60		4PCS	L	4x58		1PC
----------	--------	---	------	----------	------	---	-----

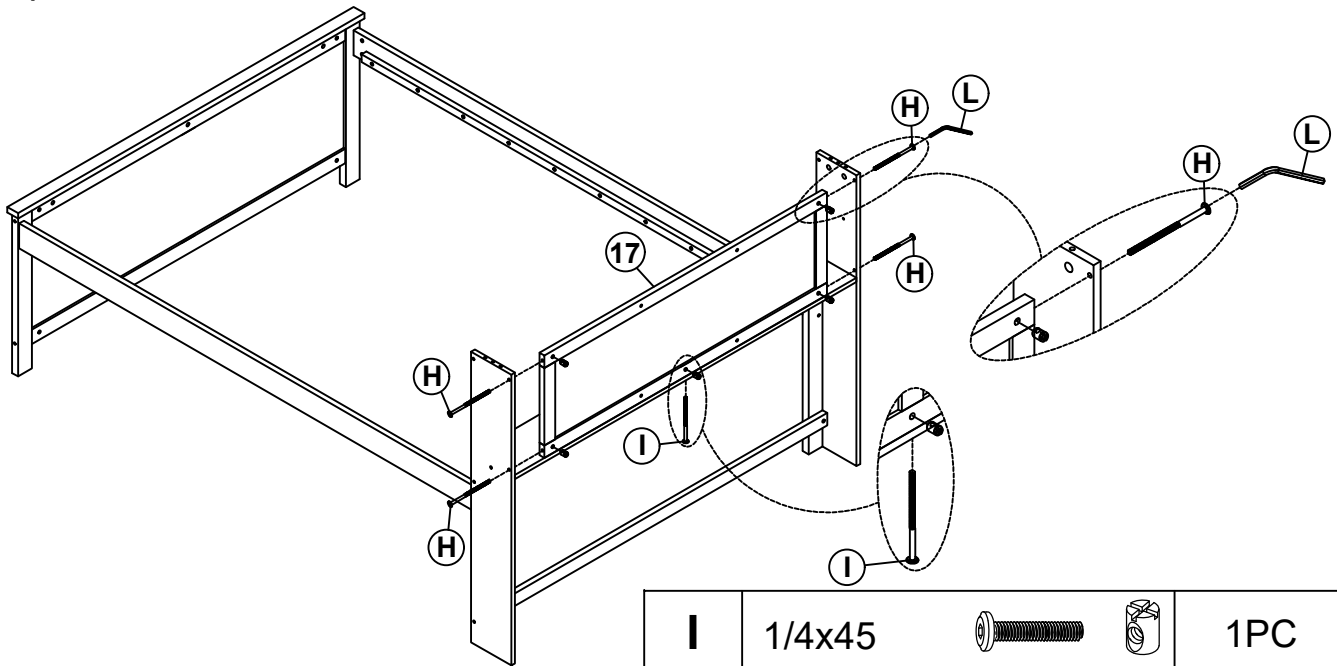
Step 8





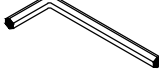


P	18x18x2		3PCS	C	Ø3.5x15		6PCS
----------	---------	---	------	----------	---------	---	------

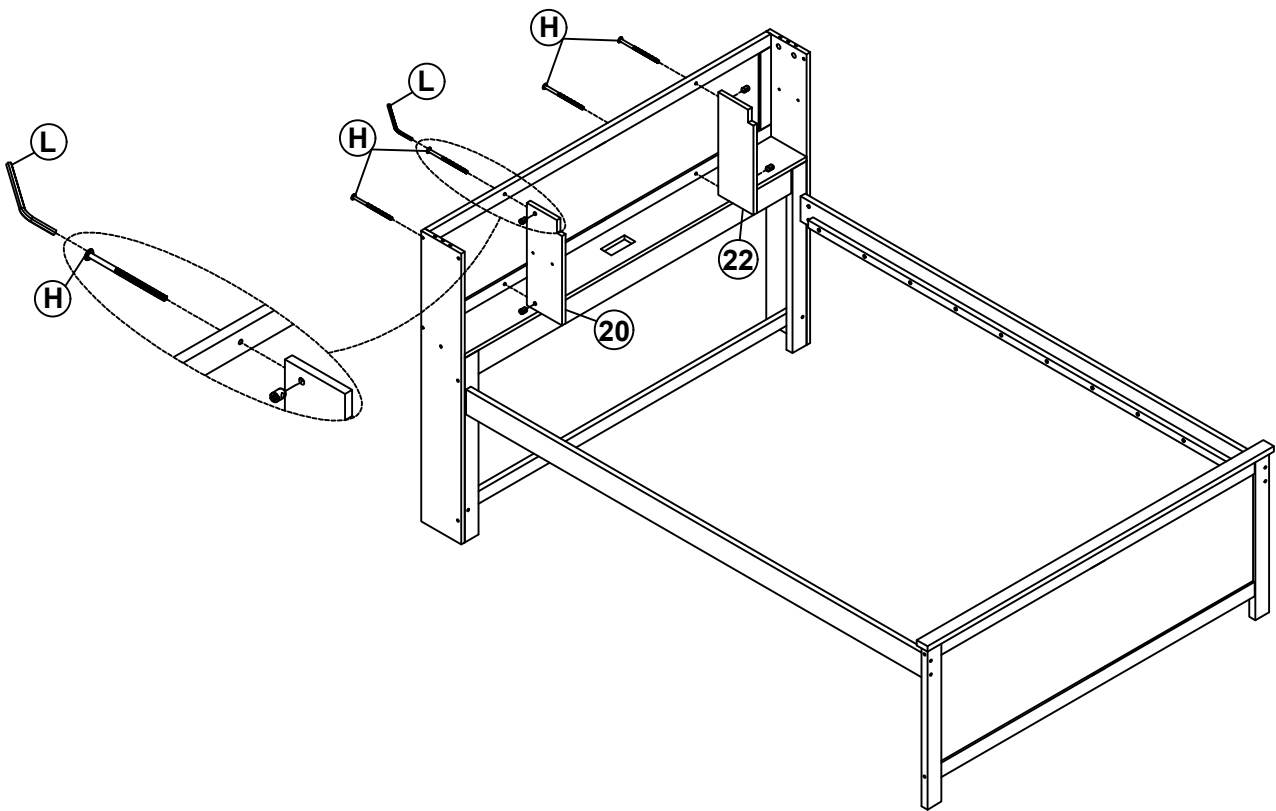
ASSEMBLY INSTRUCTIONS




Step 9



I	1/4x45			1PC
H	1/4x60			4PCS
L	4x58			1PC

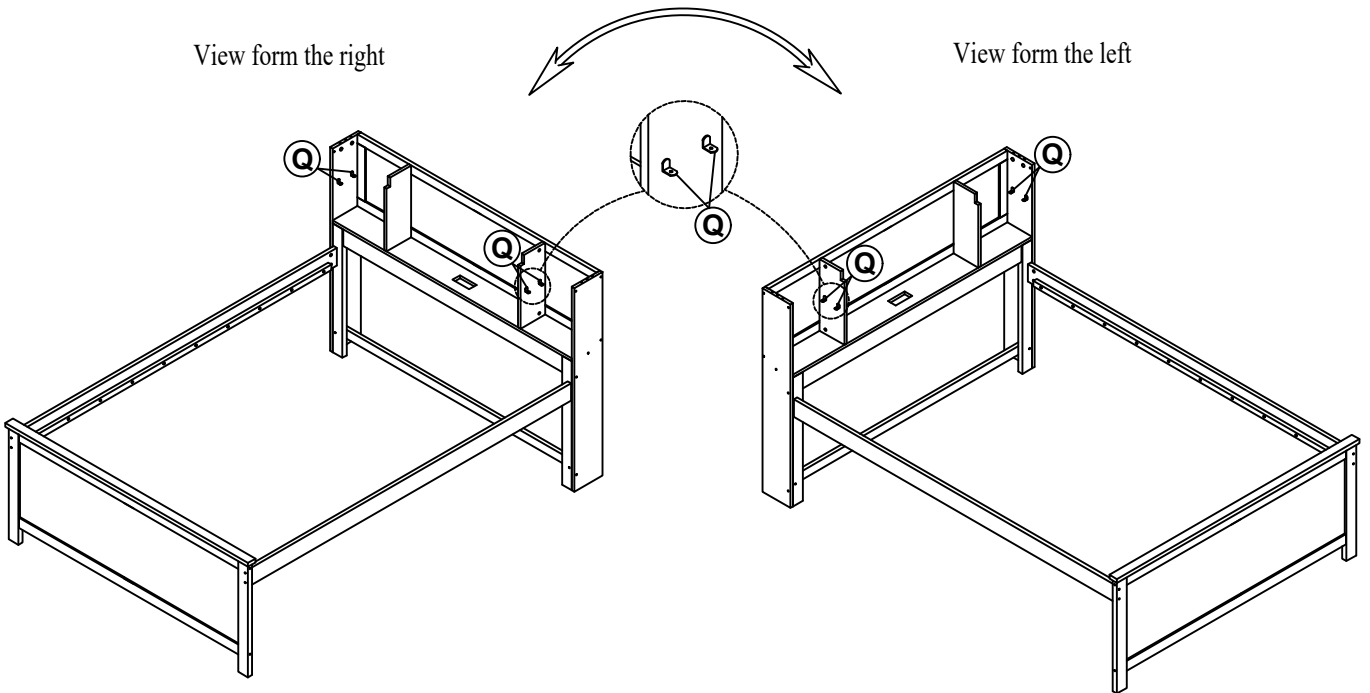
Step 10



H	1/4x60			4PCS	L	4x58		1PC
----------	--------	---	---	------	----------	------	---	-----

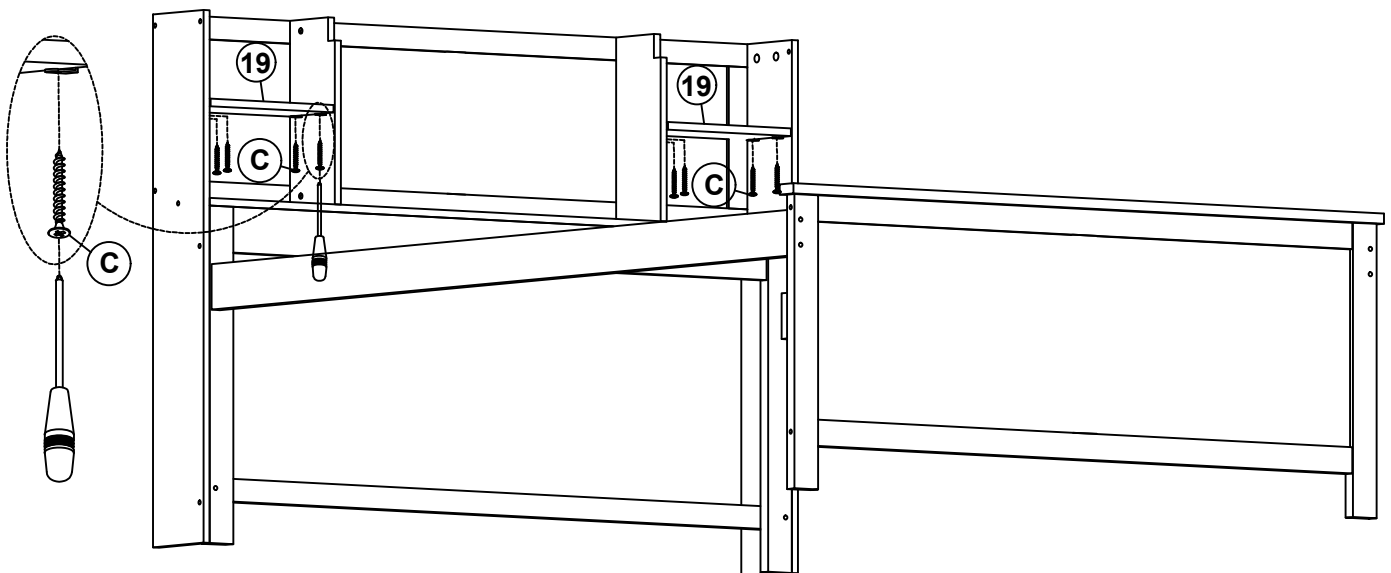
ASSEMBLY INSTRUCTIONS


Step 11



Q	20x17		8PCS
----------	-------	--	------

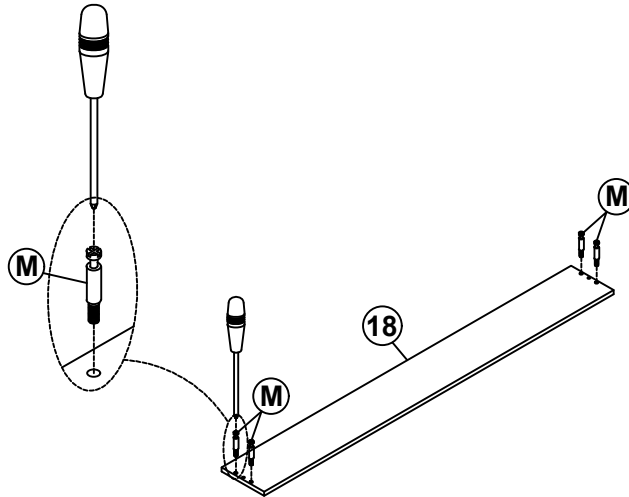
Step 12



C	Ø3.5x15		8PCS
----------	---------	---	------

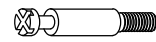
ASSEMBLY INSTRUCTIONS

Step 13



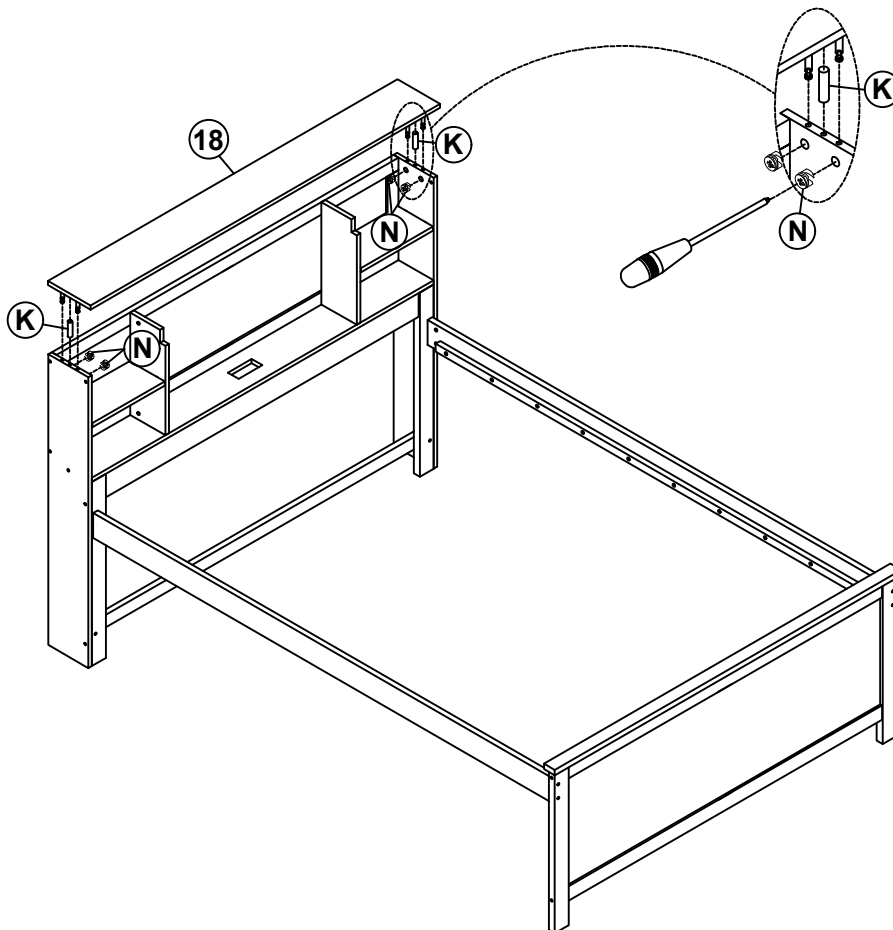
M

Ø 6.5x35



4PCS

Step 14



K

Ø8x30



4PCS

N

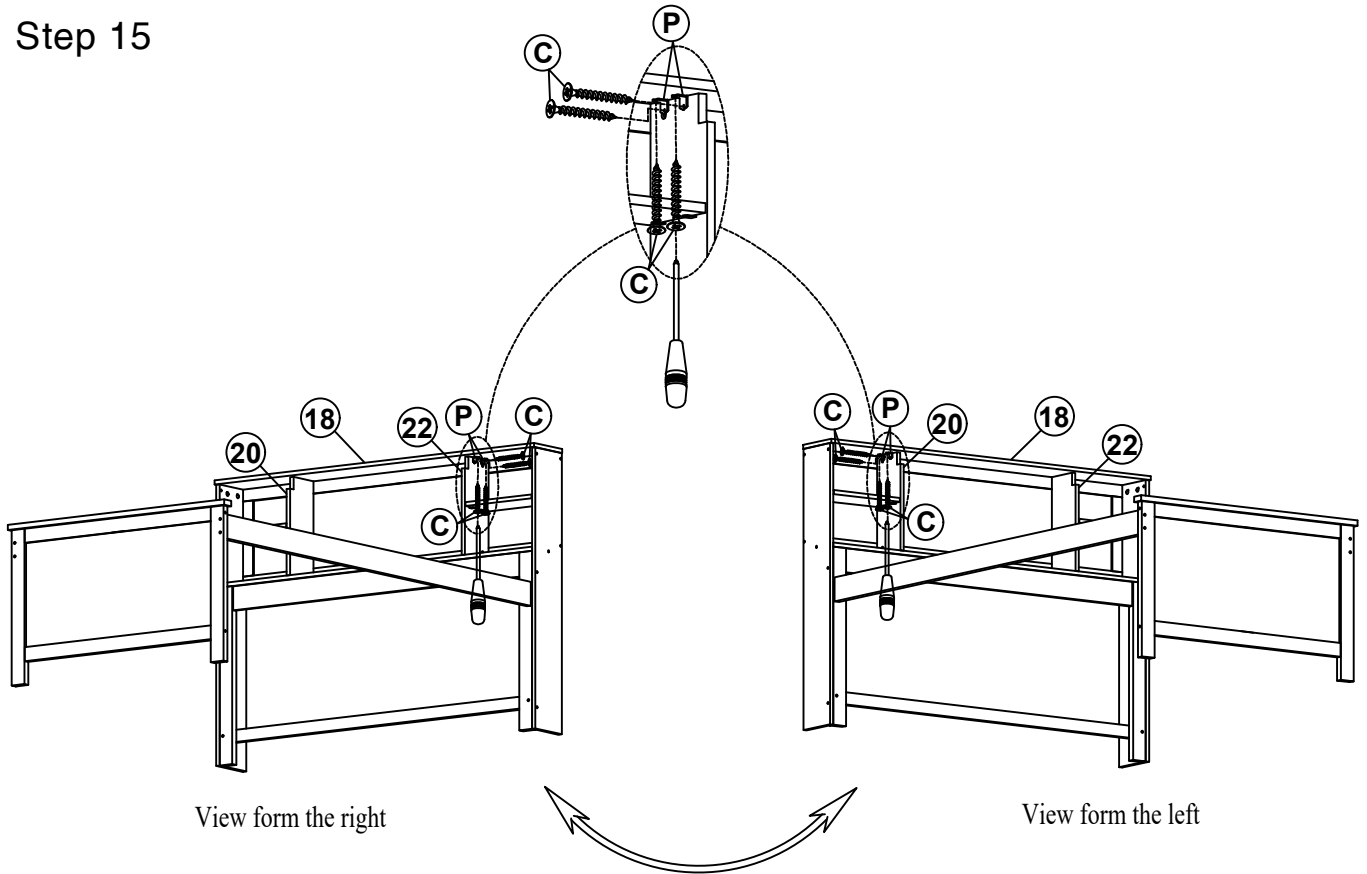
Ø15x12



4PCS

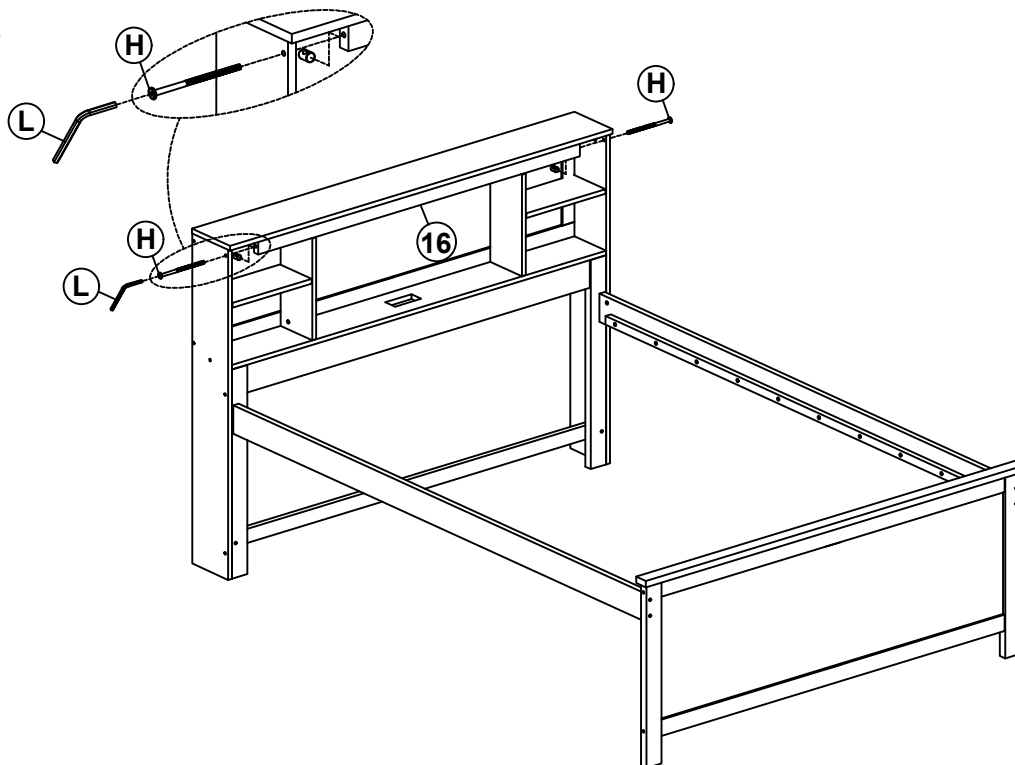
ASSEMBLY INSTRUCTIONS



Step 15



P	18x18x2		4PCS	C	Ø3.5x15		8PCS
----------	---------	---	------	----------	---------	---	------

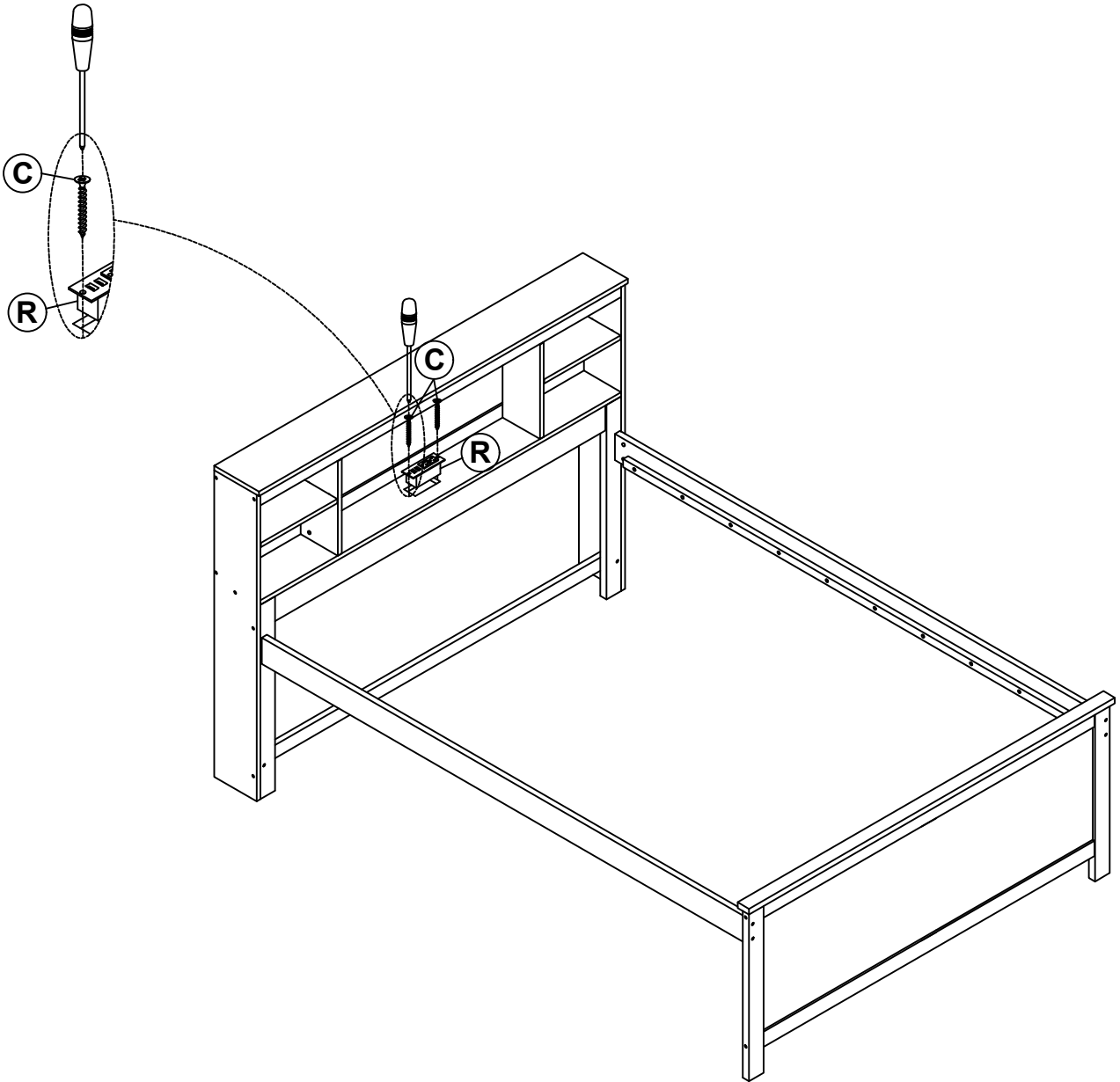
Step 16



H	1/4x60		2PCS	L	4x58		1PC
----------	--------	---	------	----------	------	---	-----

ASSEMBLY INSTRUCTIONS

Step 17



R



1PC

C

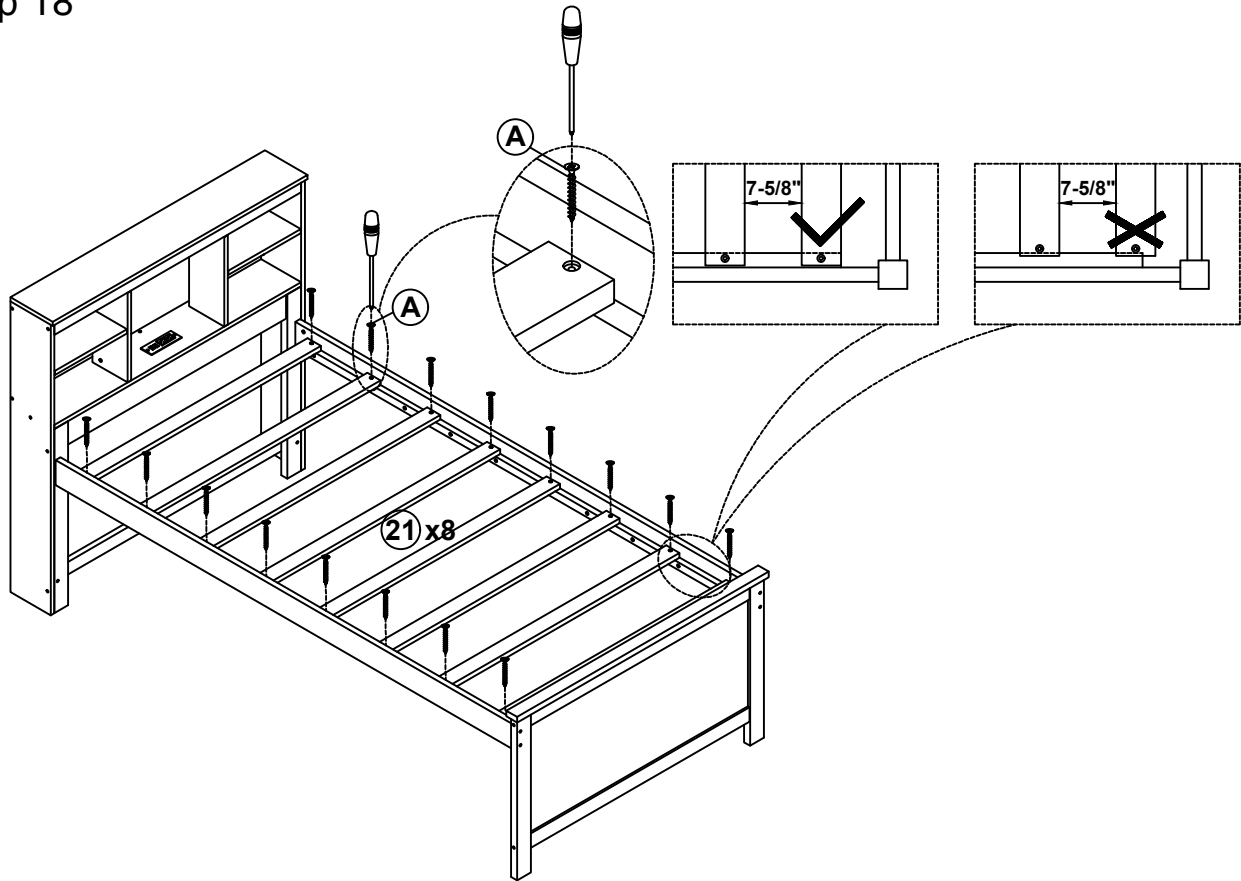
Ø3.5x15



2PCS

ASSEMBLY INSTRUCTIONS

Step 18



First attach 2pcs part 21 to the front and end of the frame between headboard.
Then attach the remaining part 21 equidistantly between headboard

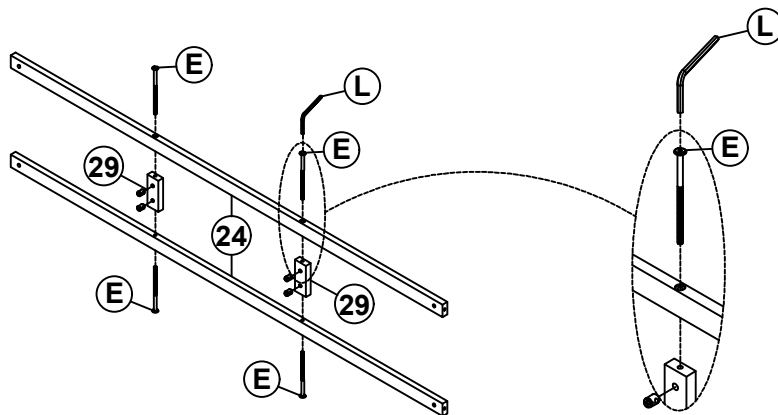
A

Ø4x30



16PCS

Step 19



E

1/4x90



4PCS

L

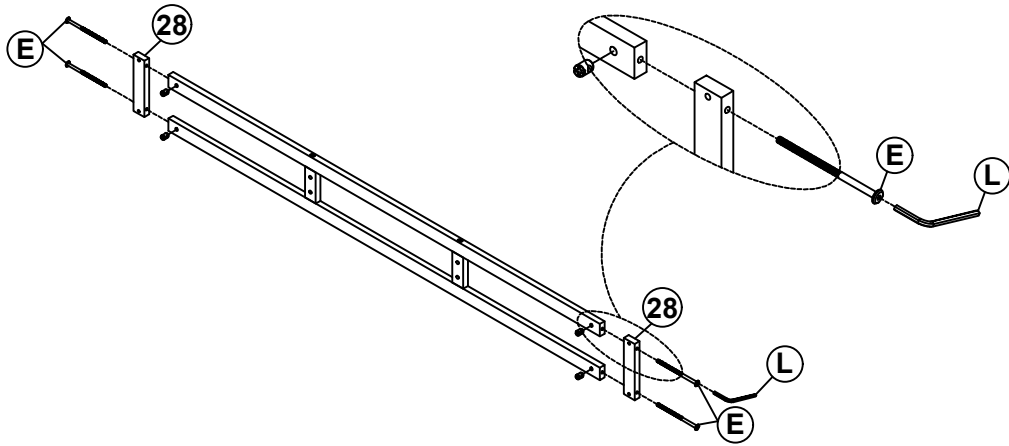
4x58





1PC

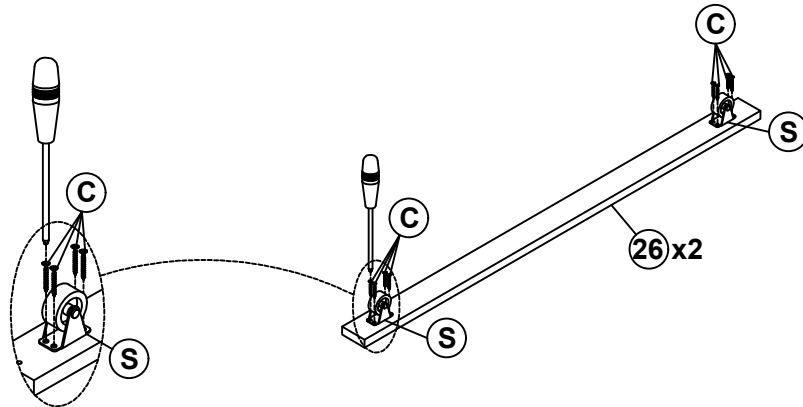
ASSEMBLY INSTRUCTIONS



Step 20



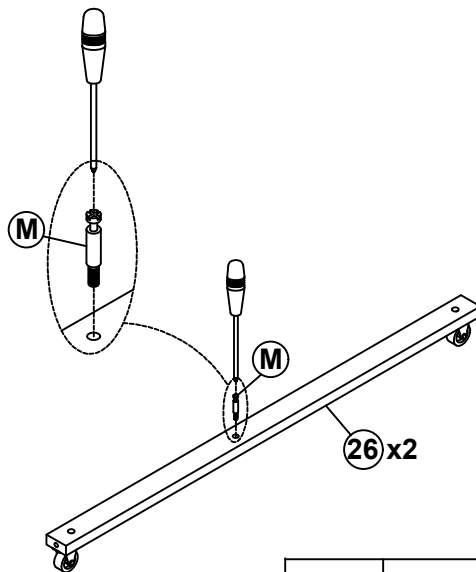
E	1/4x90		4PCS	L	4x58		1PC
----------	--------	---	------	----------	------	---	-----

Step 21



C	Ø3.5x15		16PCS	S	Ø38x46x38		4PCS
----------	---------	---	-------	----------	-----------	---	------

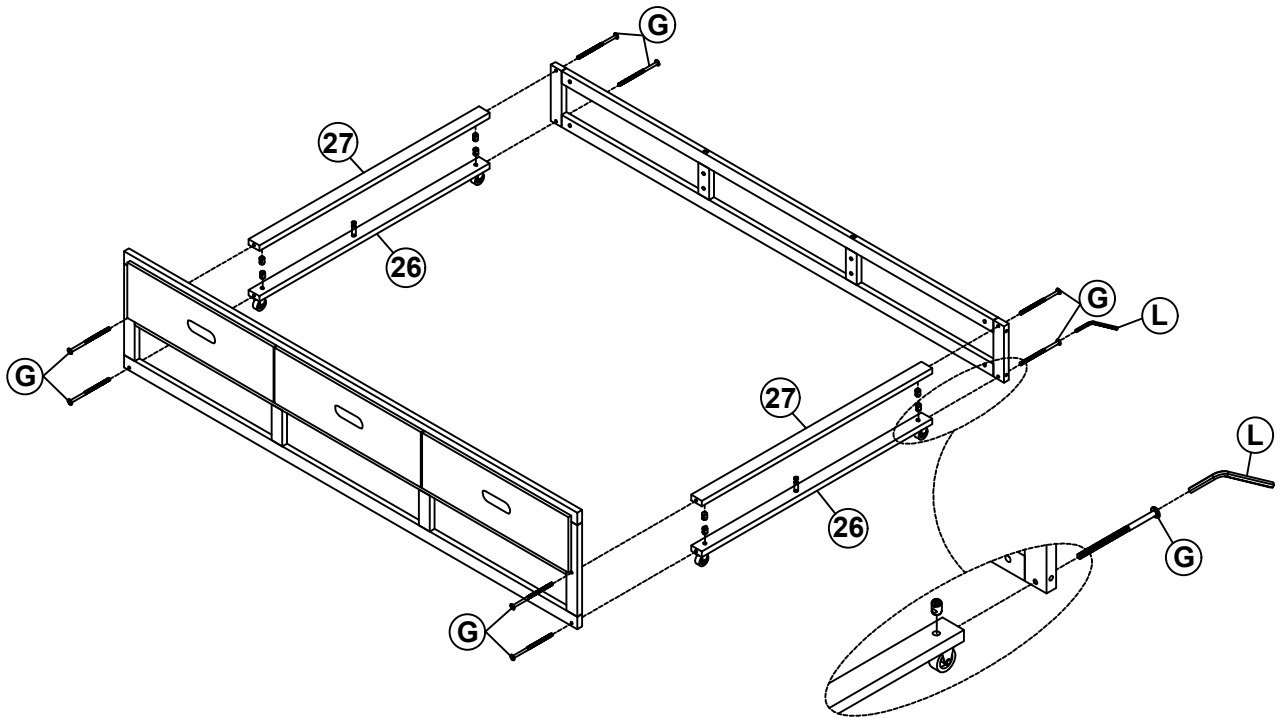
Step 22





M	Ø 6.5x35		2PCS
----------	----------	---	------

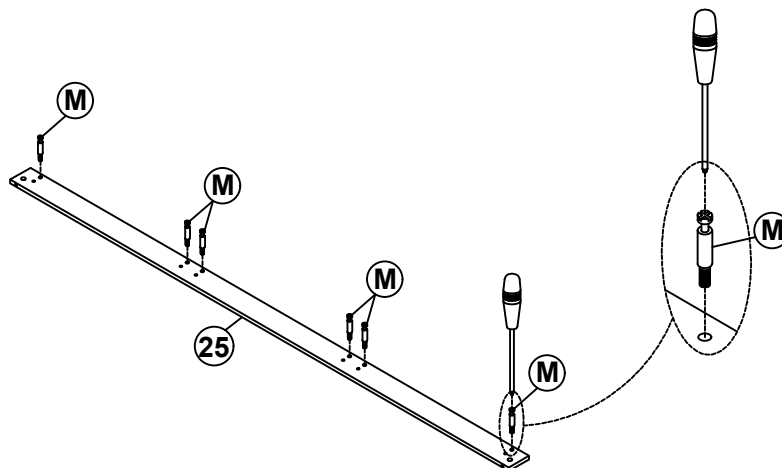
ASSEMBLY INSTRUCTIONS

Step 23



G	1/4x65		8PCS	L	4x58		1PC
----------	--------	---	------	----------	------	---	-----

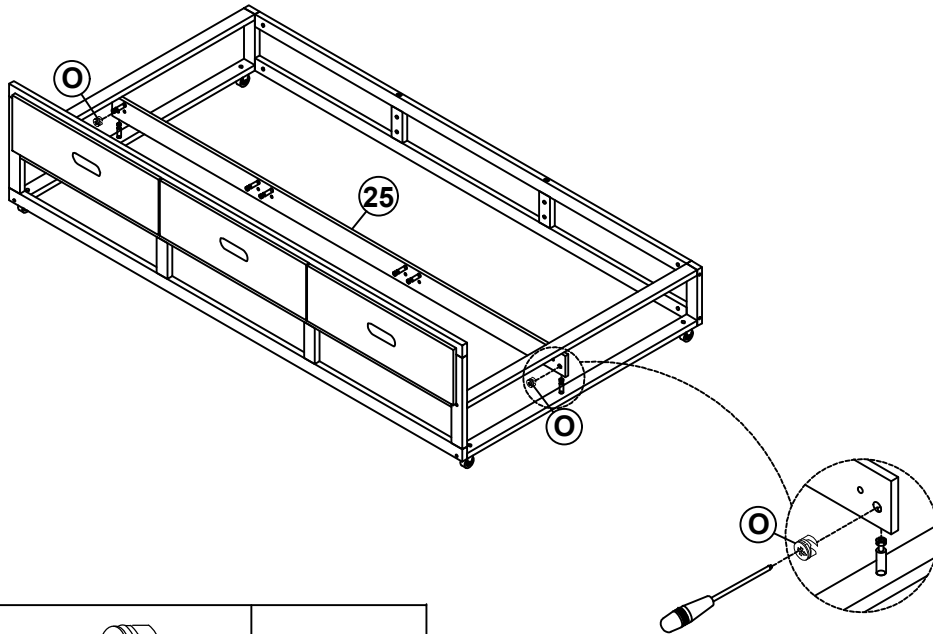
Step 24



M	Ø 6.5x35		6PCS
----------	----------	---	------

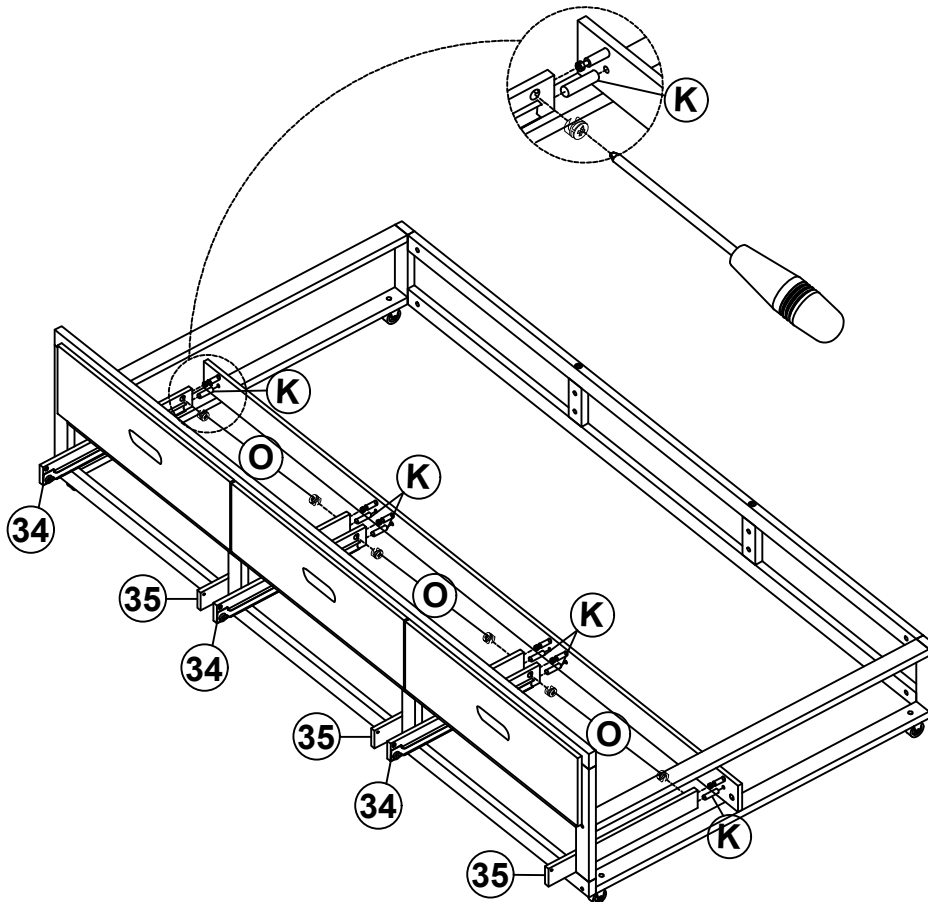
ASSEMBLY INSTRUCTIONS



Step 25



O	Ø12x10		2PCS
----------	--------	---	------

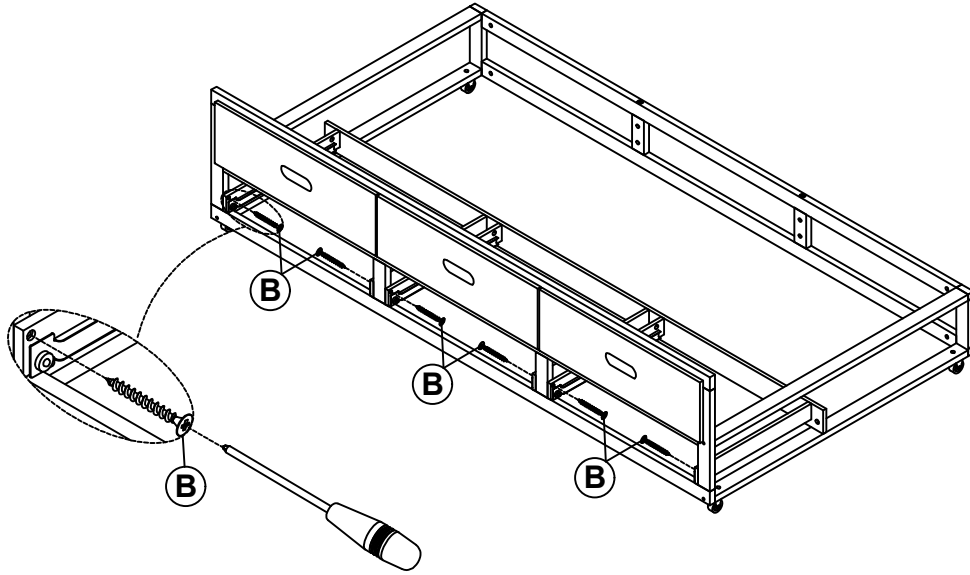
Step 26



O	Ø12x10		6PCS	K	Ø8x30		6PCS
----------	--------	---	------	----------	-------	---	------

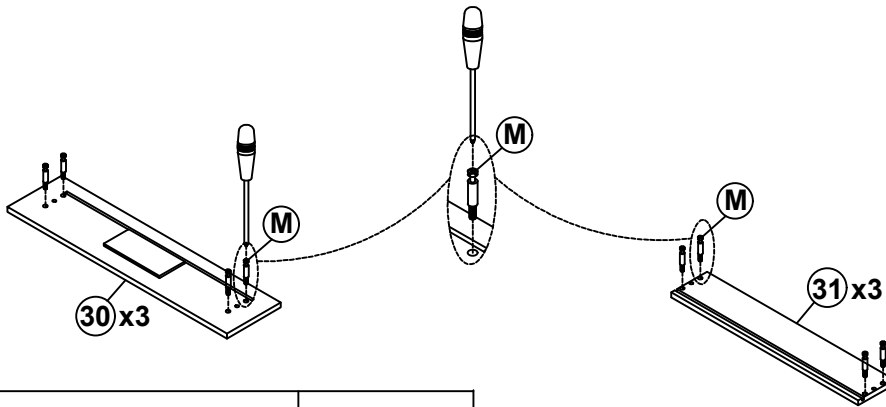
ASSEMBLY INSTRUCTIONS

Step 27



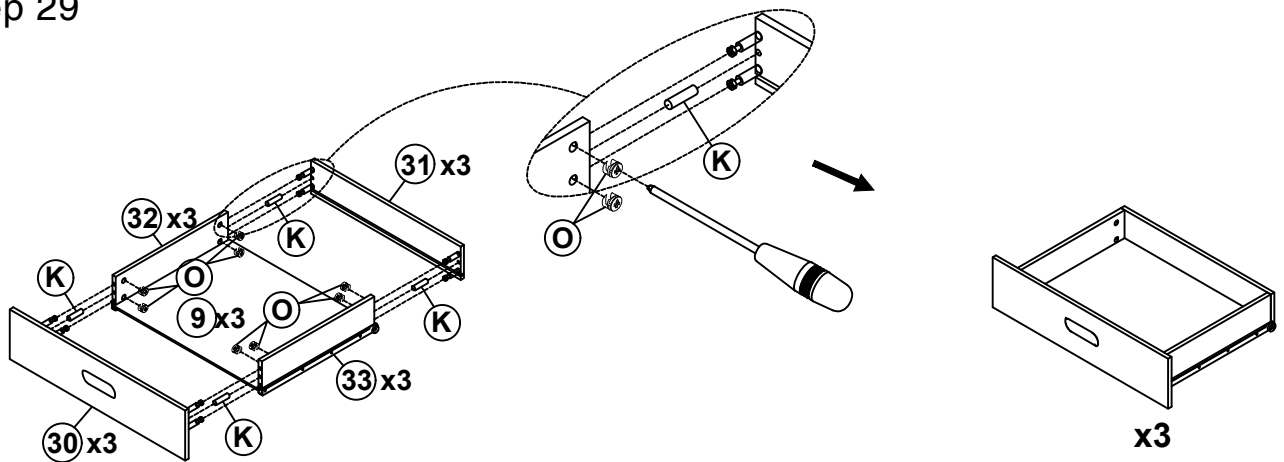
B	Ø4x25		6PCS
----------	-------	---	------



Step 28



M	Ø 6.5x35		24PCS
----------	----------	---	-------

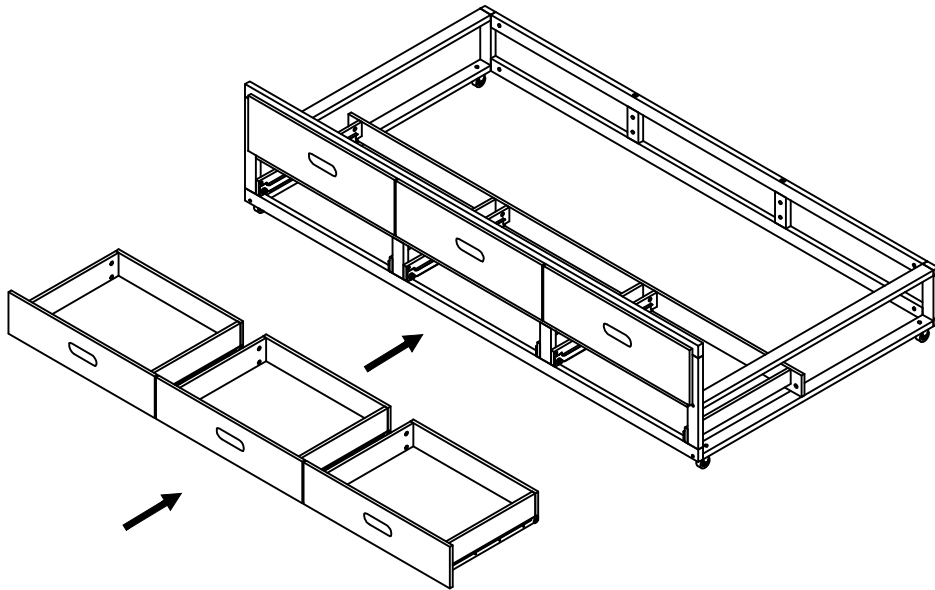
Step 29



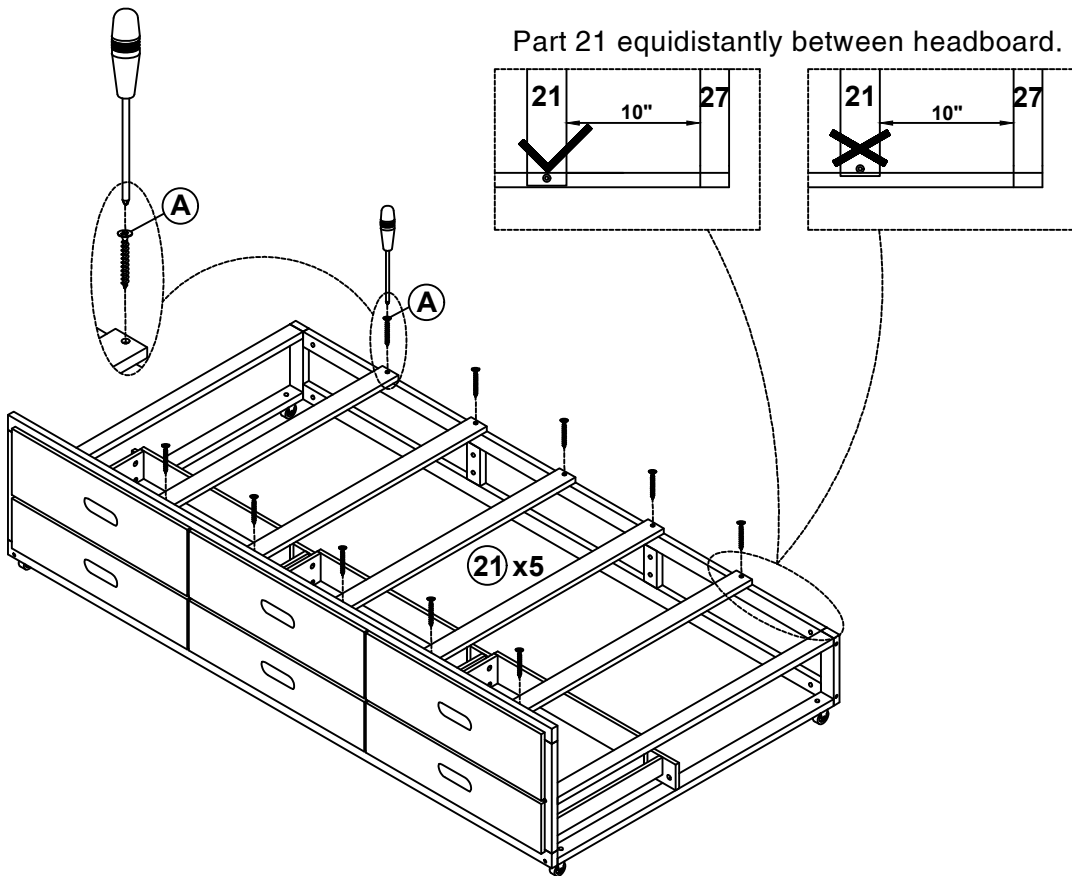
O	Ø12x10		24PCS	K	Ø8x30		12PCS
----------	--------	---	-------	----------	-------	---	-------

ASSEMBLY INSTRUCTIONS

Step 30



Step 31



A

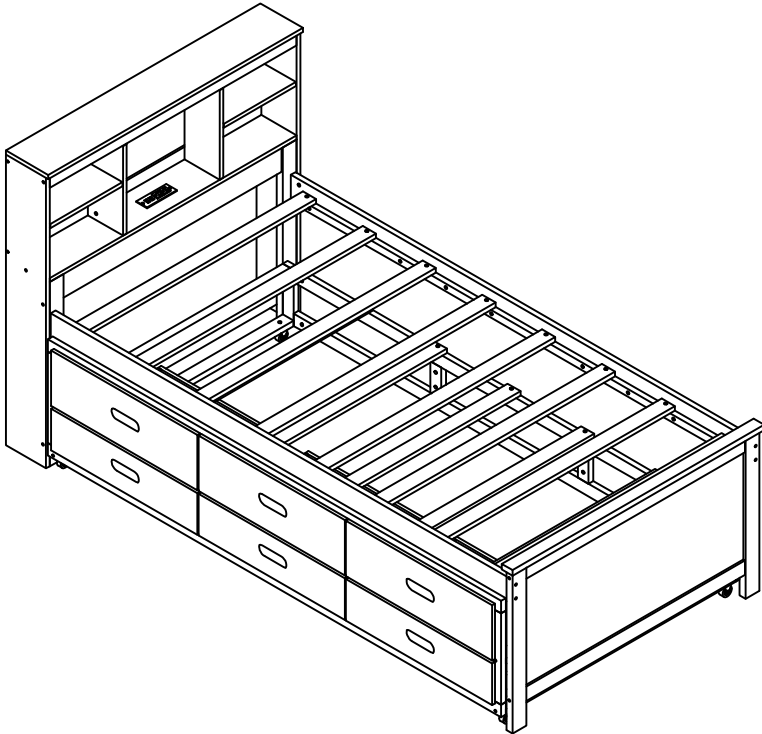
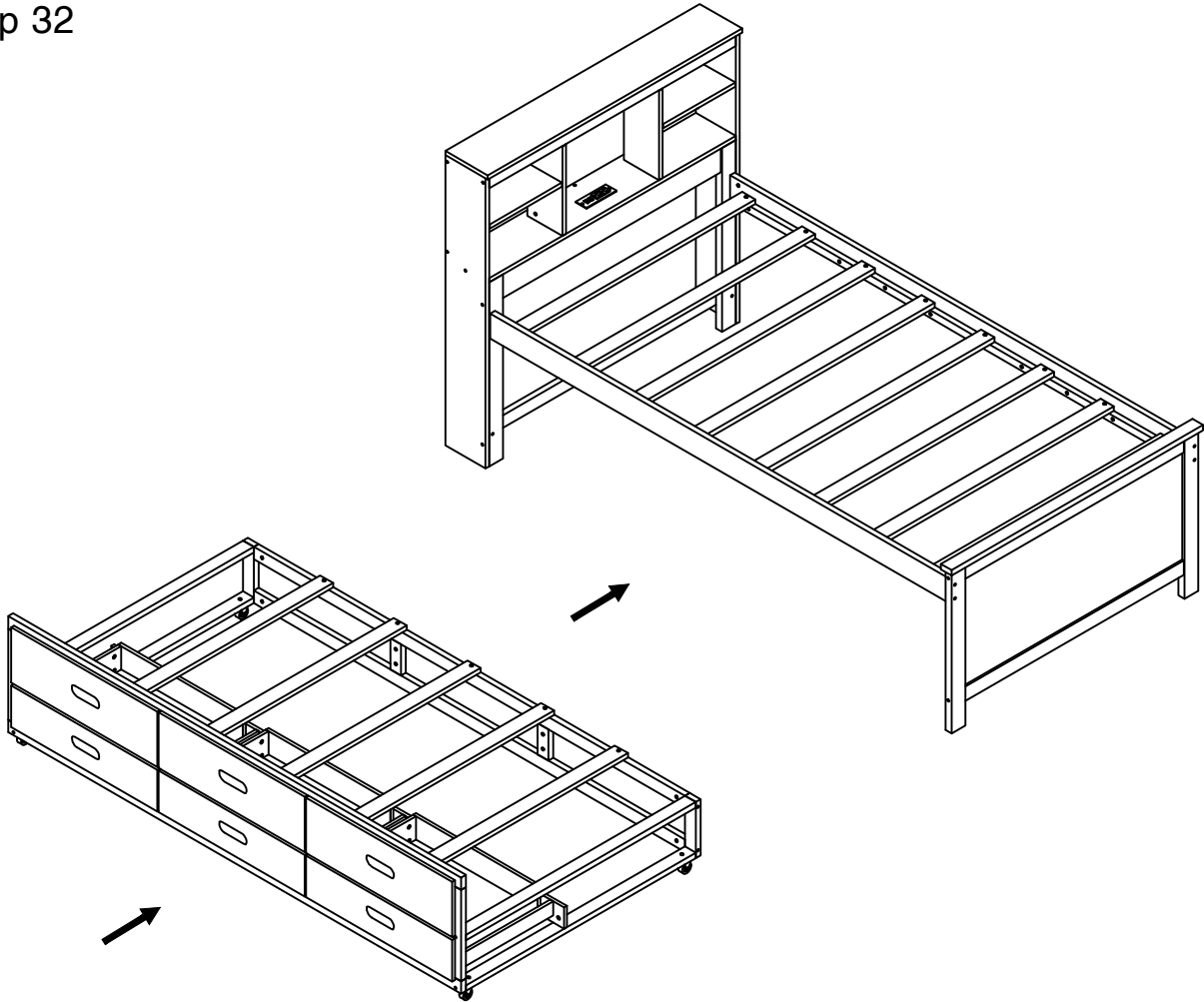
Ø4x30



10PCS

ASSEMBLY INSTRUCTIONS

Step 32



Finished