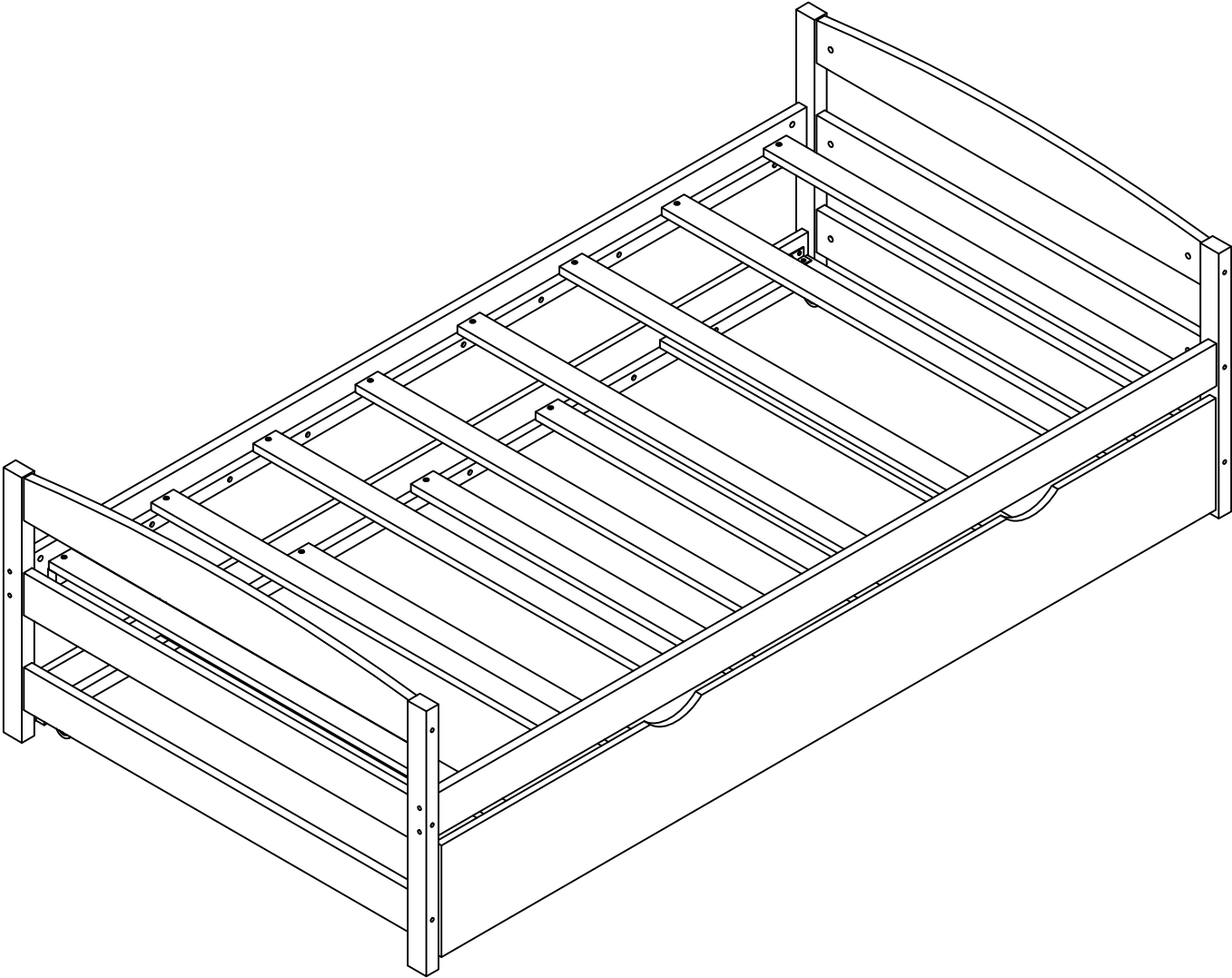


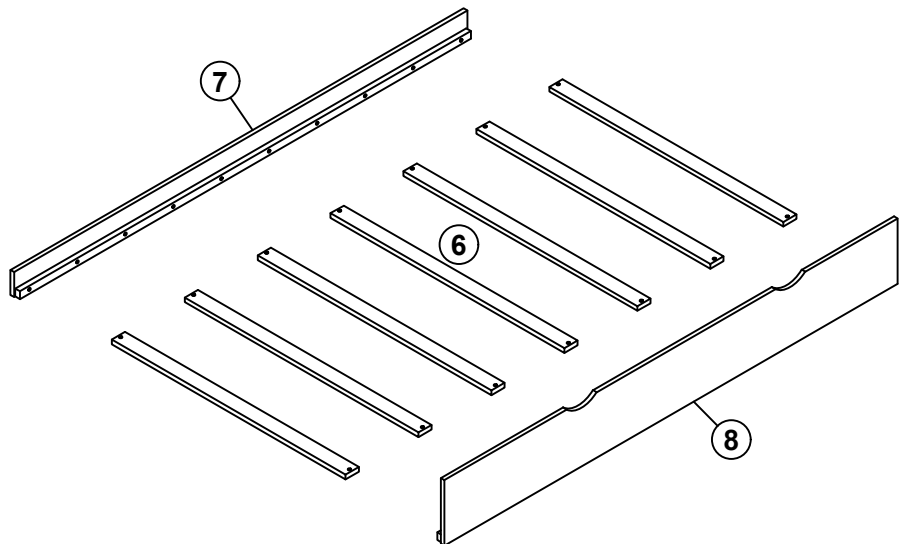
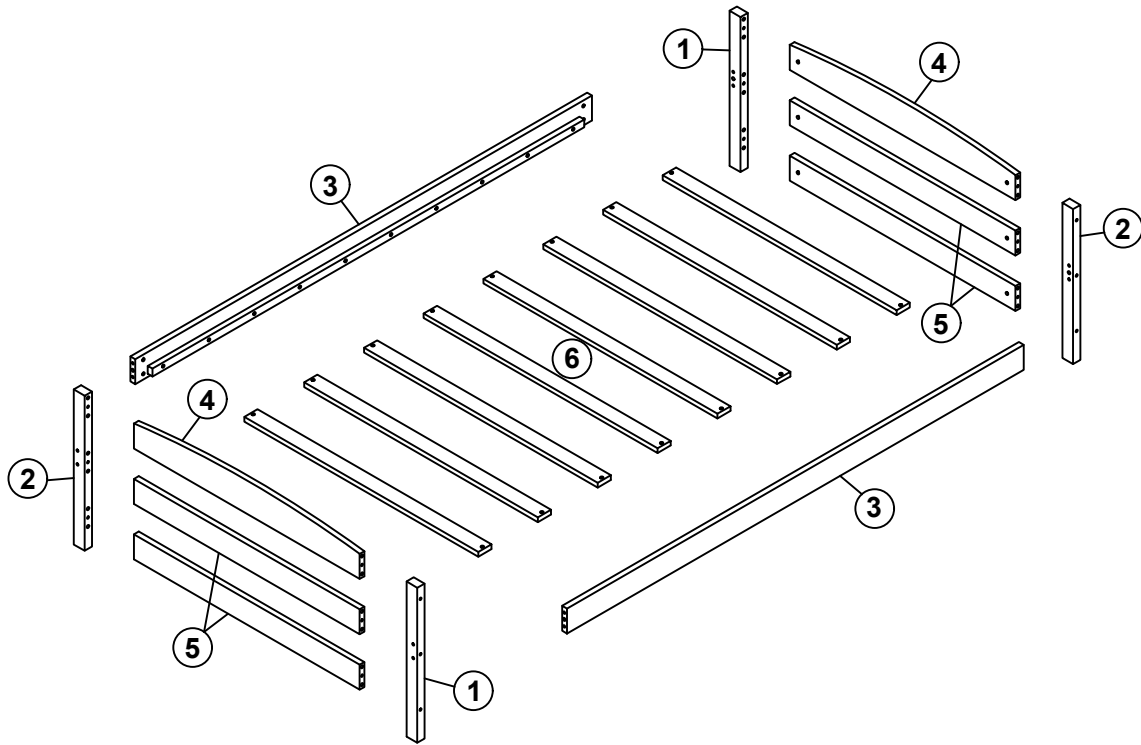
ASSEMBLY INSTRUCTIONS

TWIN BED WITH TRUNDLE



WF313279


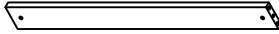
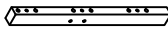
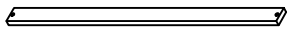
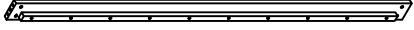
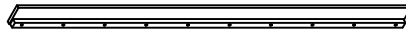

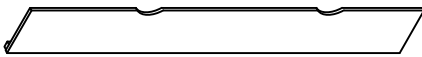
ASSEMBLY INSTRUCTIONS






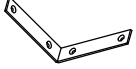

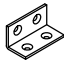

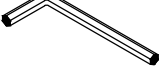

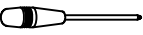
ASSEMBLY INSTRUCTIONS

PARTS LIST

WF313279

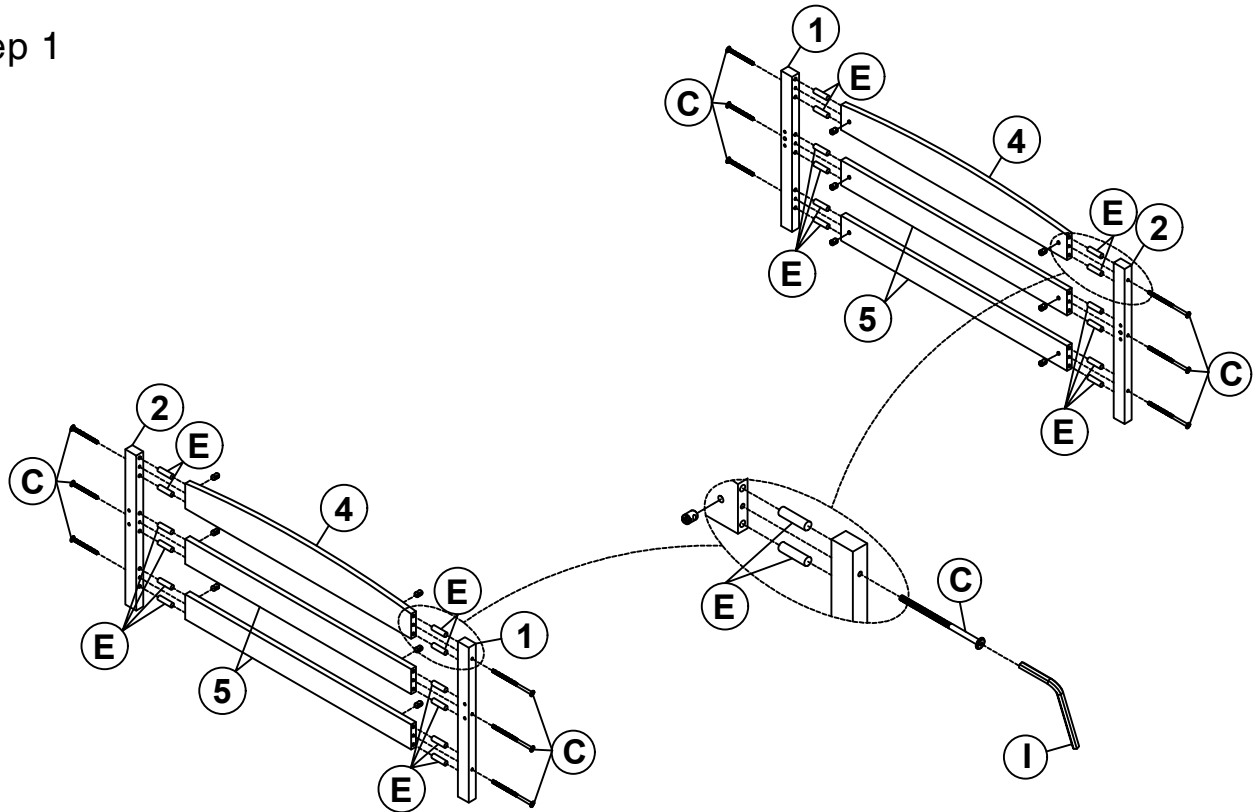
1	Legs		2pcs	5	Headboard panels		4pcs
2	Legs		2pcs	6	Slats		15pcs
3	Side rails		2pcs	7	Back trundle panels		1pc
4	Headboard panels		2pcs	8	Front trundle panels		1pc




HARDWARE LIST (WF313279)

A	Ø4x30		30PCS	F	Ø38x46x38		4PCS
B	Ø4x15		32PCS	G	95x95x20		2PCS
C	1/4x90		12PCS	H	40x20x20		2PCS
D	1/4x75		8PCS	I	4x58		1PC
E	Ø10x40		28PCS		Phillip head screw Not include		

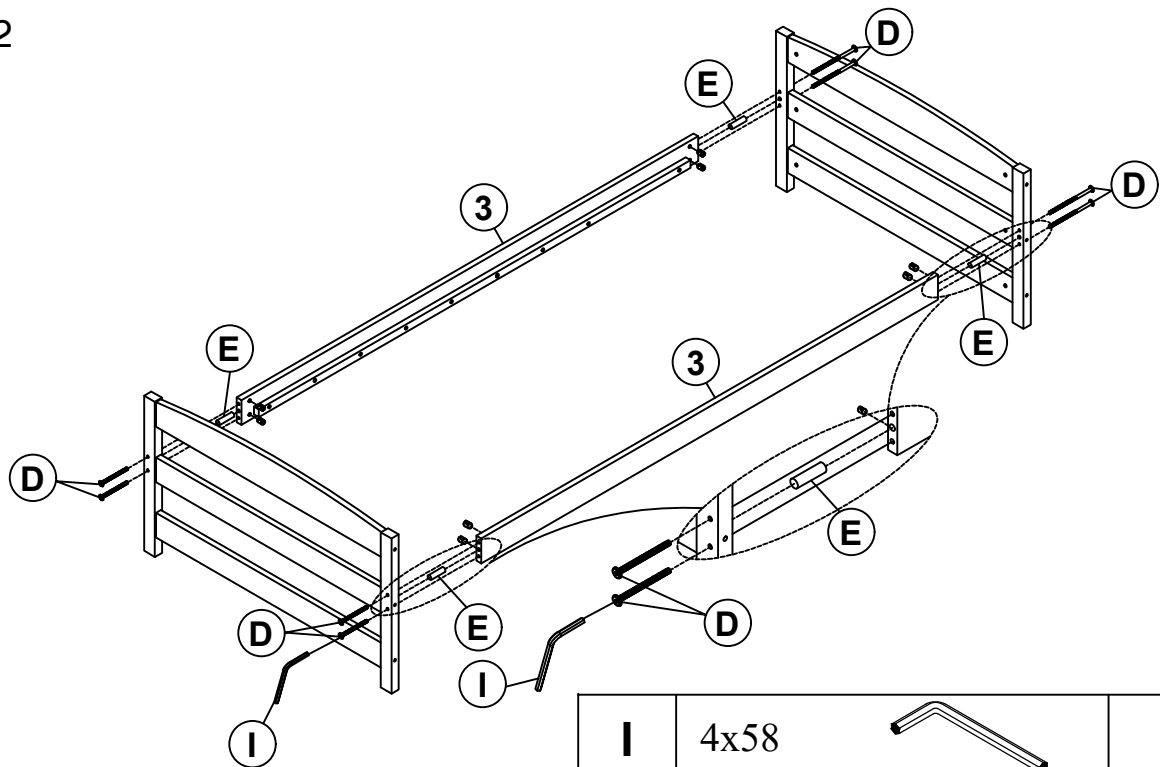
ASSEMBLY INSTRUCTIONS




Step 1



I	4x58		1PC
C	1/4x90		12PCS
E	Ø10x40		24PCS

Step 2

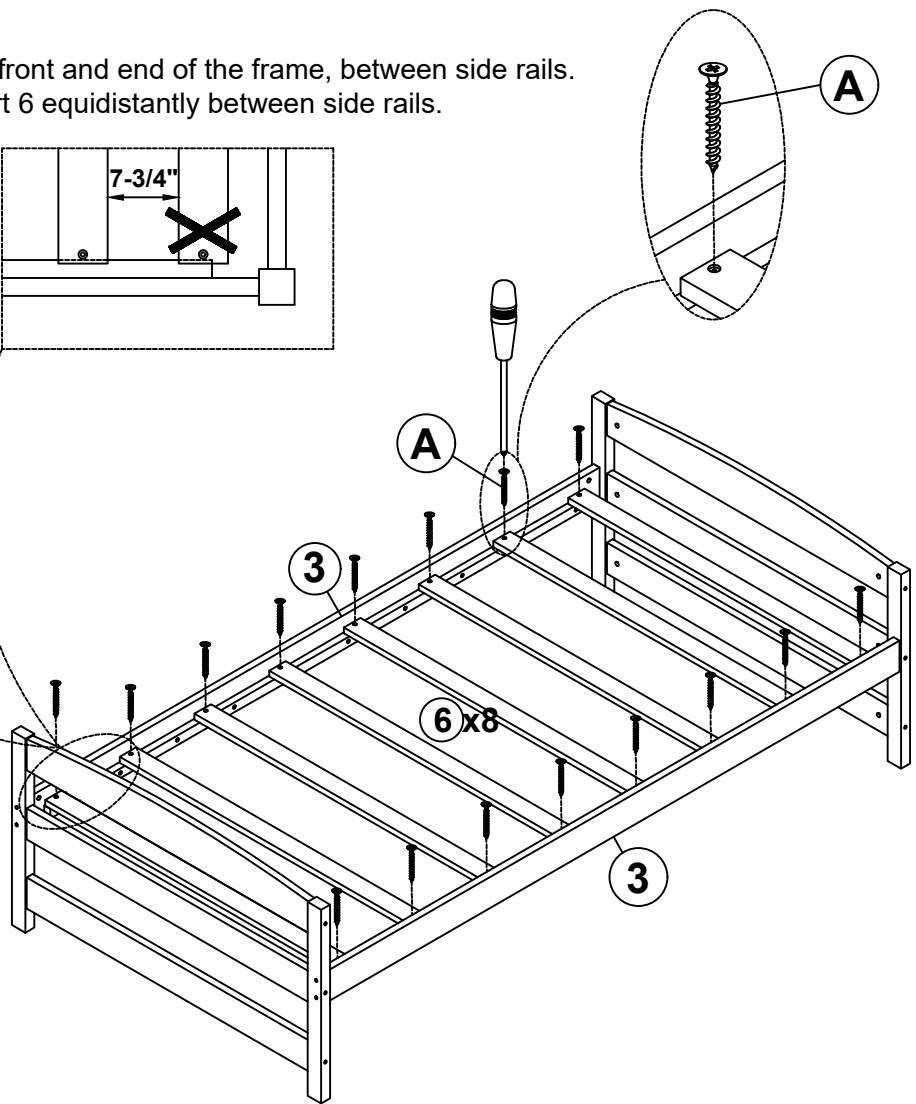
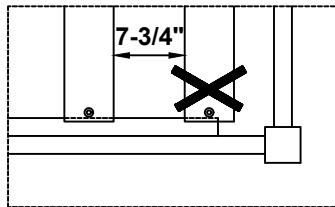
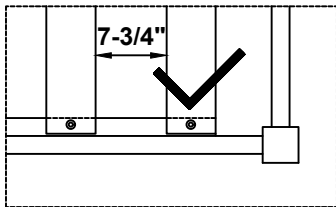


I	4x58		1PC
D	1/4x75		8PCS
E	Ø10x40		4PCS

ASSEMBLY INSTRUCTIONS

Step 3

First attach 2 pcs part 6 to the front and end of the frame, between side rails. Then attach the remaining part 6 equidistantly between side rails.



A

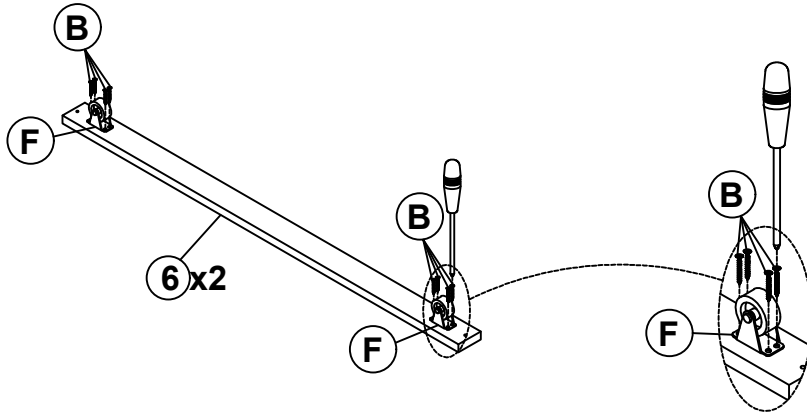
Ø4x30





16PCS

ASSEMBLY INSTRUCTIONS

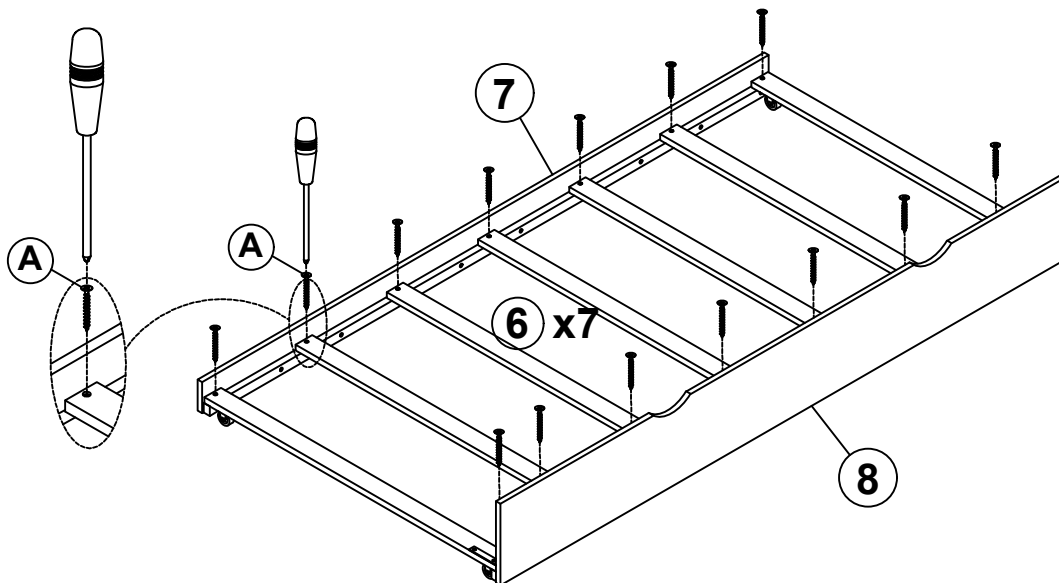
Step 4



B	Ø4x15		16PCS	F	Ø38x46x38		4PCS
----------	-------	---	-------	----------	-----------	---	------

Step 5

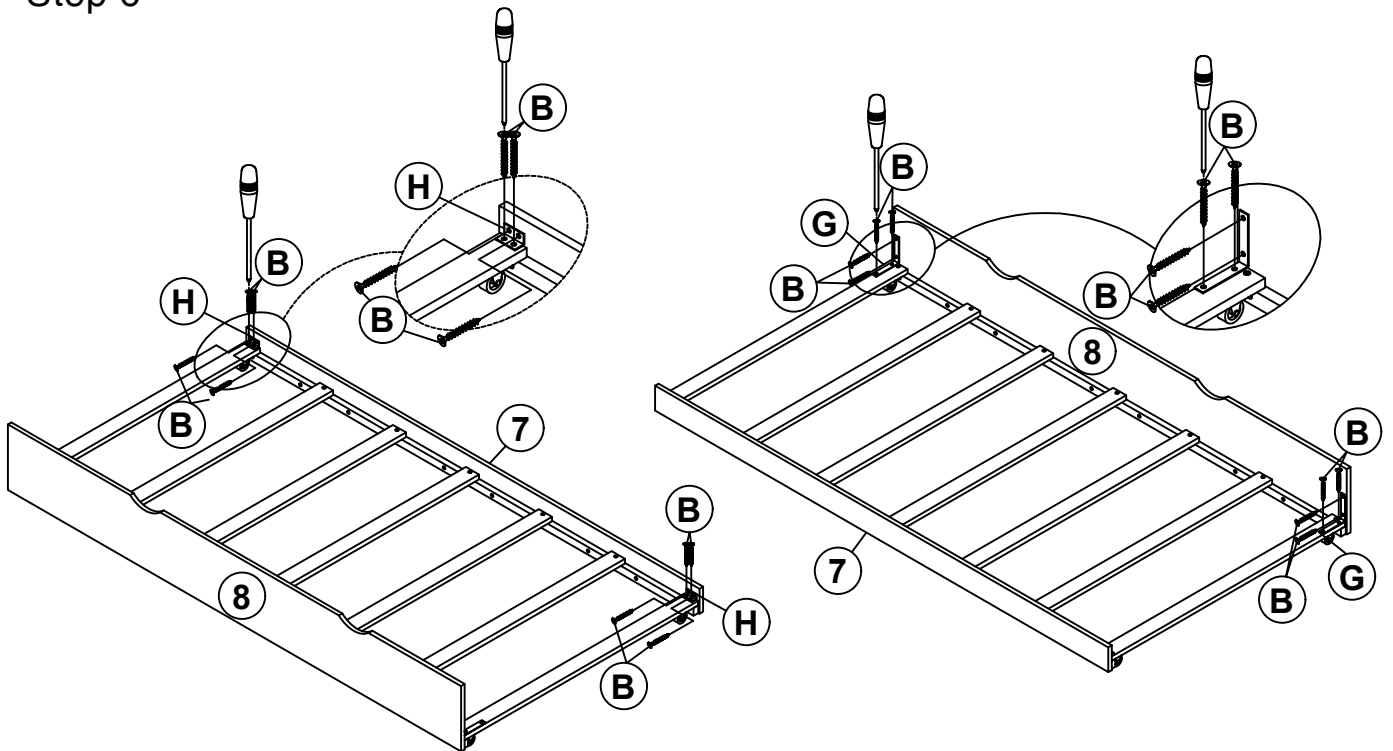
First attach 2pcs part 6 to the front and end of the frame, between side rails. Then attach the remaining part 6 equidistantly between side rails.

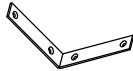

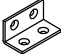


A	Ø4x30		14PCS
----------	-------	---	-------

ASSEMBLY INSTRUCTIONS

Step 6



G	95x95x20		2PCS
B	Ø4x15		16PCS
H	40x20x20		2PCS

Step 7

