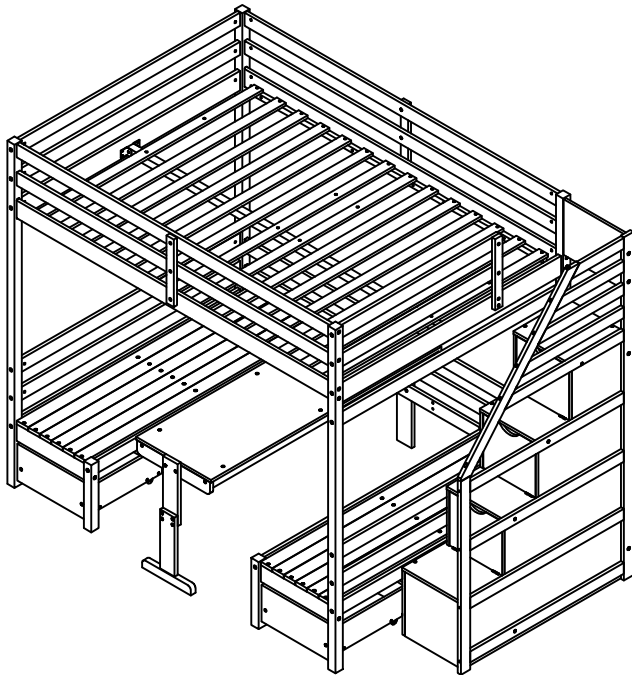
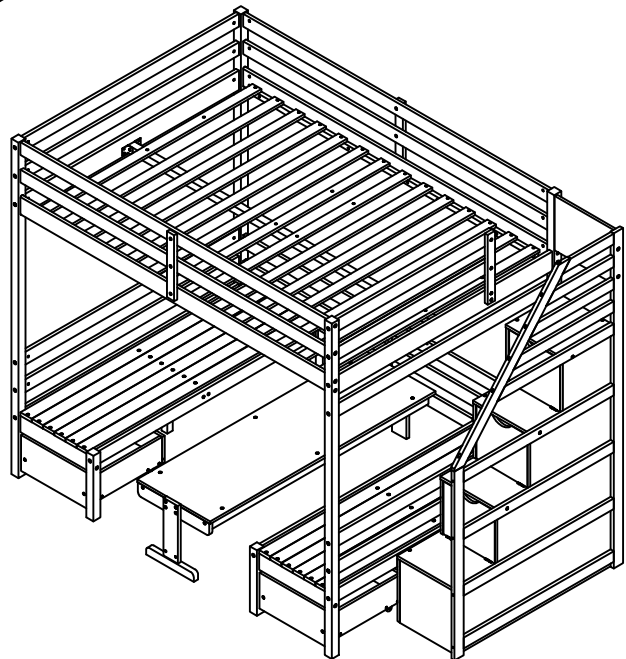


ASSEMBLY INSTRUCTIONS

LOFT BED WITH DESK AND CHAIR



OR



WF308769/WF308770/WF308771

SAFETY WARNINGS AND GENERAL NOTES:

Follow the information on the warnings on the loft bed end structure and on the carton. Do not remove the warning label from the bed. Always use the recommended size mattress on mattress support, or both, to help prevent the likelihood of entrapment or falls.

The top surface of the mattress must be at least 5*inch (127mm) below the upper edge of the guardrail.

Do not allow children under 6 years of age to use the upper bunk.

Periodically check and ensure the guardrail, ladder and other components are in their proper position, free from damage, and all connectors are tight.

Do not allow horseplay on or under beds.

Always prohibit jumping on the bed.

Prohibit more than one person on upper bunk.

Always use the ladder for entering and leaving the upper bunk.

Do not use substitute parts. Contact the manufacturer or dealer for replacement parts.

Use of a night-light may provide added safety precaution for a child using the upper bunk.

Always use guardrails on both long sides of the upper bunk.

If the loft bed will be placed next to a wall, the guardrail that runs the full length of the bed should be placed against the wall to prevent entrapment between the bed and the wall.

The use of water or sleep flotation mattresses is prohibited.

STRANGULATION HAZARD-Never attach or hang items to any part of the loft bed that are not designed for use with the bed.

Keep these instructions for future reference.

We recommend assembling your loft bed on the shipping carton to protect your floor or carpet.

Be certain all staples are out of the box before beginning assembly on the shipping carton.

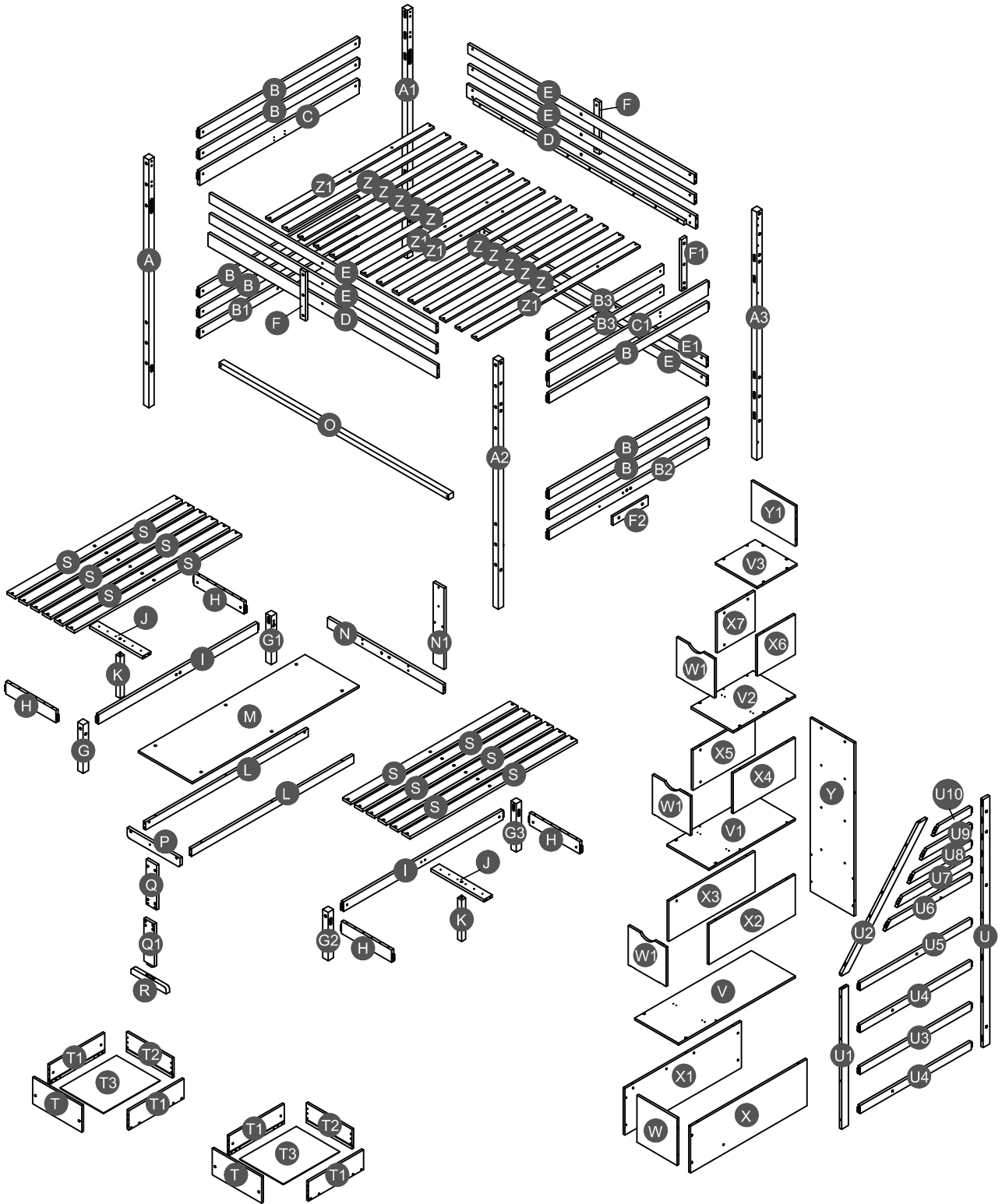
USE ONLY MATTRESSES WHICH ARE 74"-75" LONG AND 54" WIDE ON UPPER AND ON LOWER BUNKS. ENSURE THICKNESS OF MATTRESS DOES NOT EXCEED 6".

SURFACE OF MATTRESS MUST BE AT LEAST 5" (127MM) BELOW THE UPPER EDGE OF GUARDRAILS.

Replacement Parts:

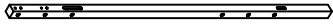
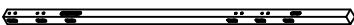








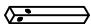
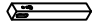
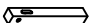
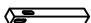





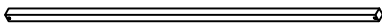



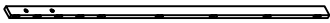
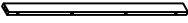





Replacement Parts, including additional guardrails, may be obtained from any of our (GIGACLOUD TECHNOLOGY (USA) INC. 18961 ARENTH AVENUE, CITY OF INDUSTRY , CA, 91748.) dealers

Detail View







Part List

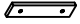
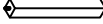
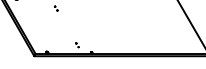
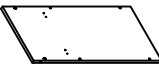
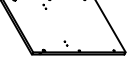

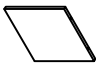



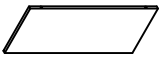
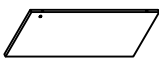

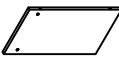
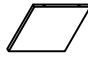
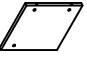
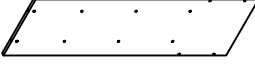


WF308769 + Hardware inside

A  Leg (Left Front) - 1pc	A1  Leg (Left Back) - 1pc	A2  Leg (Right Front) - 1pc
A3  Leg (Right Back) - 1pc	B2  Lower horizontal bar FB - 1pc	B3  Upper horizontal bar FB - 2pcs
D  Upper side rail - 2pcs	E  Long guard rail - 5pcs	E1  Lower long guard rail (back) - 1pc
F1  Vertical guard rail FB - 1pc	G  Leg (Left Front) - 1pc	G1  Leg (Left Back) - 1pc
G2  Leg (Right Front) - 1pc	G3  Leg (Right Back) - 1pc	H  Lower short side rail - 4pcs
J  Lower support slat - 2pcs	L  Lower horizontal bar - 2pcs	N  Lower horizontal bar (back) - 1pc
N1  Vertical bar support (back) - 1pc	O  Lower support slat - 1pc	Q  Vertical bar (front) - 1pc
Q1  Vertical bar (front) - 1pc	R  Bottom base (front) - 1pc	U  Vertical bar ladder (back) - 1pc
U1  Vertical bar ladder (front) - 1pc	U2  Horizontal bar ladder - 1pc	U3  Horizontal bar ladder - 1pc
U4  Horizontal bar ladder - 2pcs	U5  Upper horizontal bar ladder - 1pc	U6  Horizontal bar - 1pc

Part List

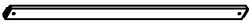

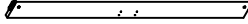






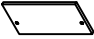
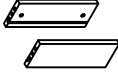
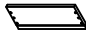
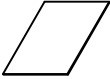
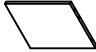
U7  Horizontal bar - 1pc	U8  Horizontal bar - 1pc	U9  Horizontal bar - 1pc
U10  Horizontal bar - 1pc		

WF308770

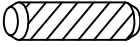

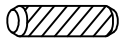

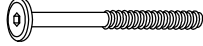
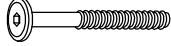








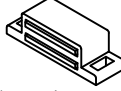



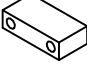
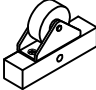
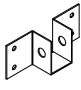
F2  Support - 1pc	K  Leg support - 2pcs	V  Lower step ladder panel -1pc
V1  Lower center step ladder panel -1pc	V2  Upper center step ladder panel -1pc	V3  Upper step ladder panel -1pc
W  Lower front panel - 1pc	W1  Center front panel - 3pcs	X  Lower right side panel - 1pc
X1  Lower left side panel - 1pc	X2  Lower center right side panel - 1pc	X3  Lower center left side panel - 1pc
X4  Upper center right side panel - 1pc	X5  Upper center left side panel - 1pc	X6  Upper right side panel - 1pc
X7  Upper left side panel - 1pc	Y  Back panel - 1pc	Z  Upper slat - 10pcs
Z1  Upper slat - 4pcs		

Part List

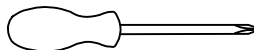
WF308771

<p>B</p>  <p>Horizontal bar HB/FB - 7pcs</p>	<p>B1</p>  <p>Lower horizontal bar HB - 1pc</p>	<p>C</p>  <p>Divider horizontal bar HB - 1pc</p>
<p>C1</p>  <p>Divider horizontal bar FB - 1pc</p>	<p>F</p>  <p>Vertical guard rail - 2pcs</p>	<p>I</p>  <p>Lower horizontal bar - 2pcs</p>
<p>M</p>  <p>Top panel - 1pc</p>	<p>P</p>  <p>Upper horizontal bar (front) - 1pc</p>	<p>S</p>  <p>Slat - 12pcs</p>
<p>T</p>  <p>Front drawer panel - 2pcs</p>	<p>T1</p>  <p>Left / right drawer panel - 4pcs</p>	<p>T2</p>  <p>Back drawer panel - 2pcs</p>
<p>T3</p>  <p>Drawer bottom - 2pcs</p>	<p>Y1</p>  <p>Upper Back panel - 1pc</p>	

Hardware List WF308769



1	 Ø10*40mm Wood dowel (12pcs)	2	 Ø10*20mm Wood dowel (8pcs)	3	 Ø8*30mm Wood dowel (45pcs)
4	 (Ø15)1/4"*100mm Hex-Head bolts (28pcs)	5	 (Ø15)1/4"*80mm Hex-Head bolts (42pcs)	6	 (Ø12)1/4"*60mm Hex-Head bolts (49pcs)
7	 (Ø12)1/4"*40mm Hex-Head bolts (5pcs)	8	 (Ø12)1/4"*30mm Hex-Head bolts (22pcs)	9	 1/4"*15 (9.5mm) Horizontal-Hole bolts(119pcs)
10	 (1/4")4.5*58mm Allen key (2pcs)	11	 (Ø12)1/4"*65mm Hex-Head bolts (11pcs)	12	 (Ø12)1/4"*40mm Hex-Head bolts (36pcs)
13	 Ø4*30mm Wood screws (68pcs)	14	 Ø3.5*12mm Wood screws (24pcs)	15	 45*17*13mm Door catch (3pcs)
16	 42*12*1mm Metal magnet (3pcs)	17	 Ø3.5*15mm Wood screws (8pcs)	18	 (Ø13)1/4"*14mm Connect bolt (2pcs)
19	 70*35*19 mm Drawer stopper (4pcs)	20	 100*54*20 mm Wheels (8pcs)	21	 116*40*27mm Metal bracket (2pcs)

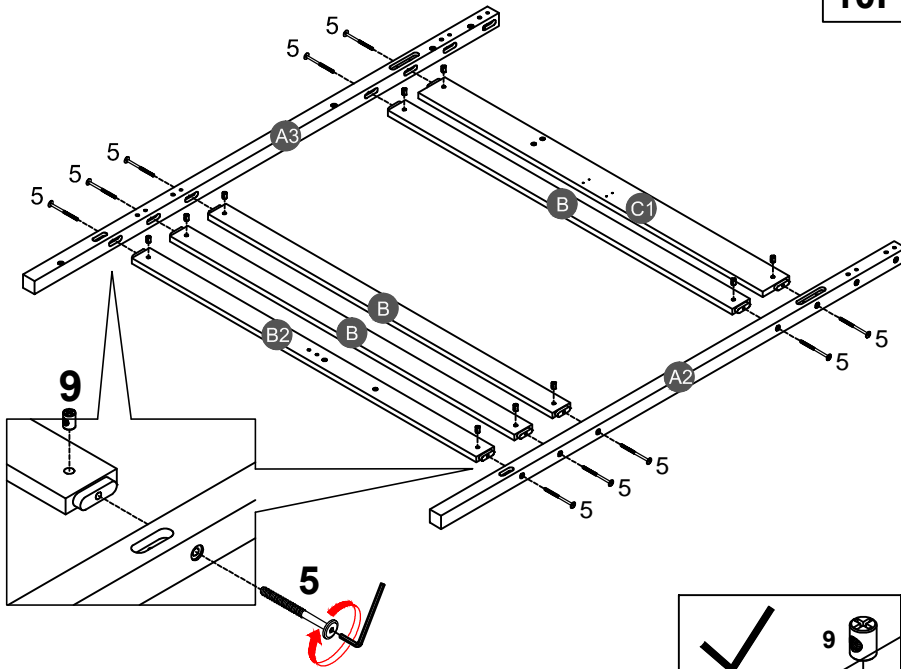
ASSEMBLY TOOLS REQUIRED (NOT INCLUDED)



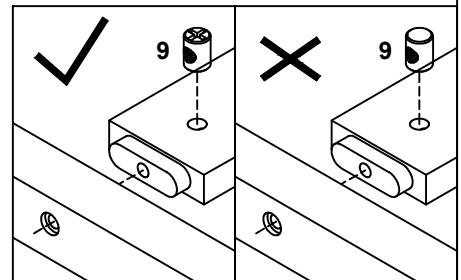
PLEASE BE CAREFUL DO NOT DAMAGE THE HOLE POSITION WHEN YOU USE POWER TOOLS !

STEP 1:


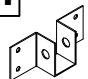
5		9	
10PCS		10PCS	

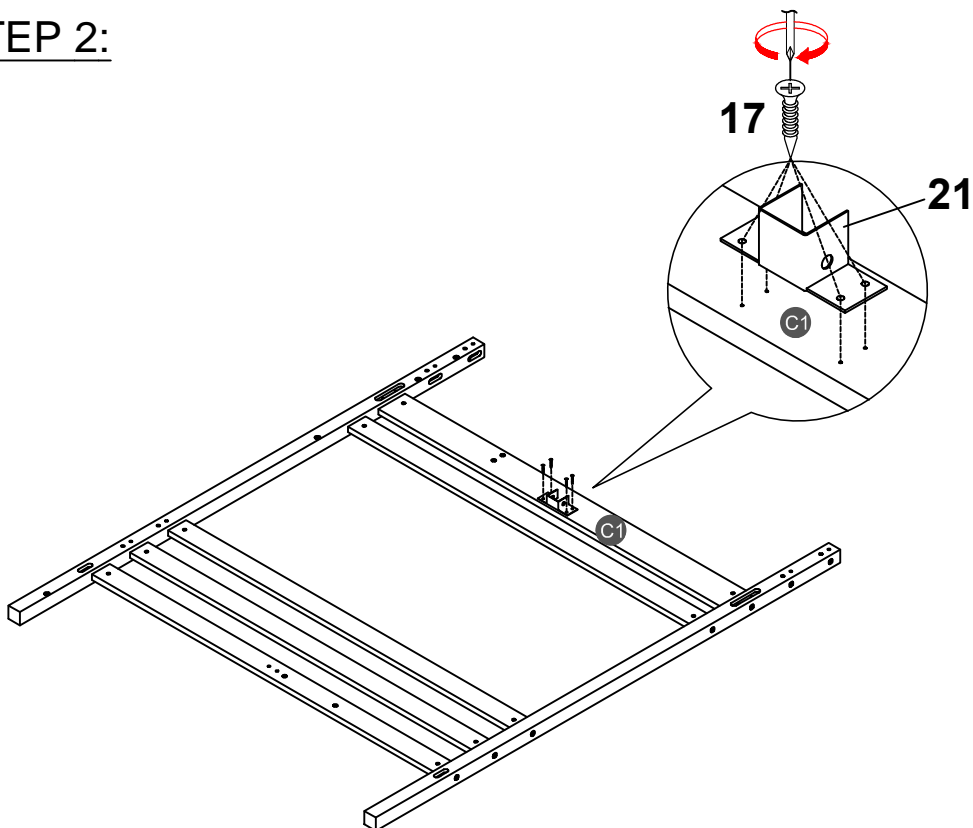


Note: Part 9 will face up with the "x" mark on it, otherwise it cannot be tightened

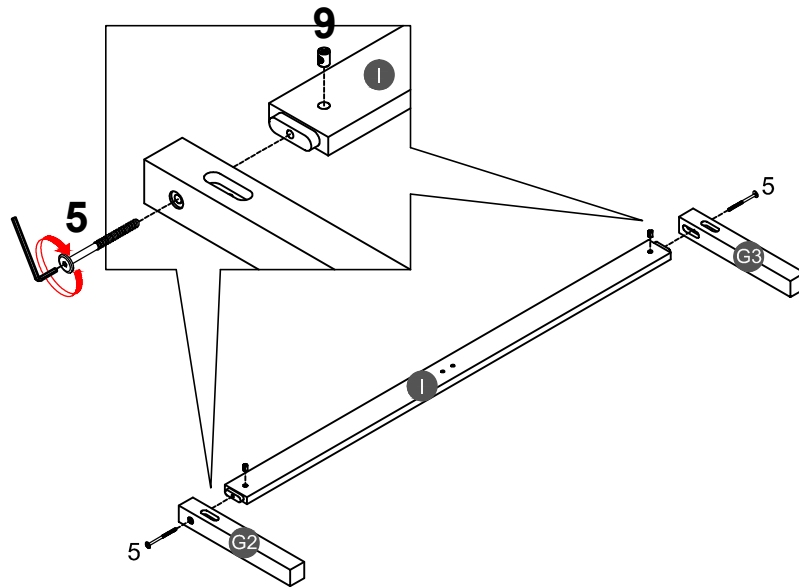




STEP 2:

17	
4PCS	
21	
1PC	

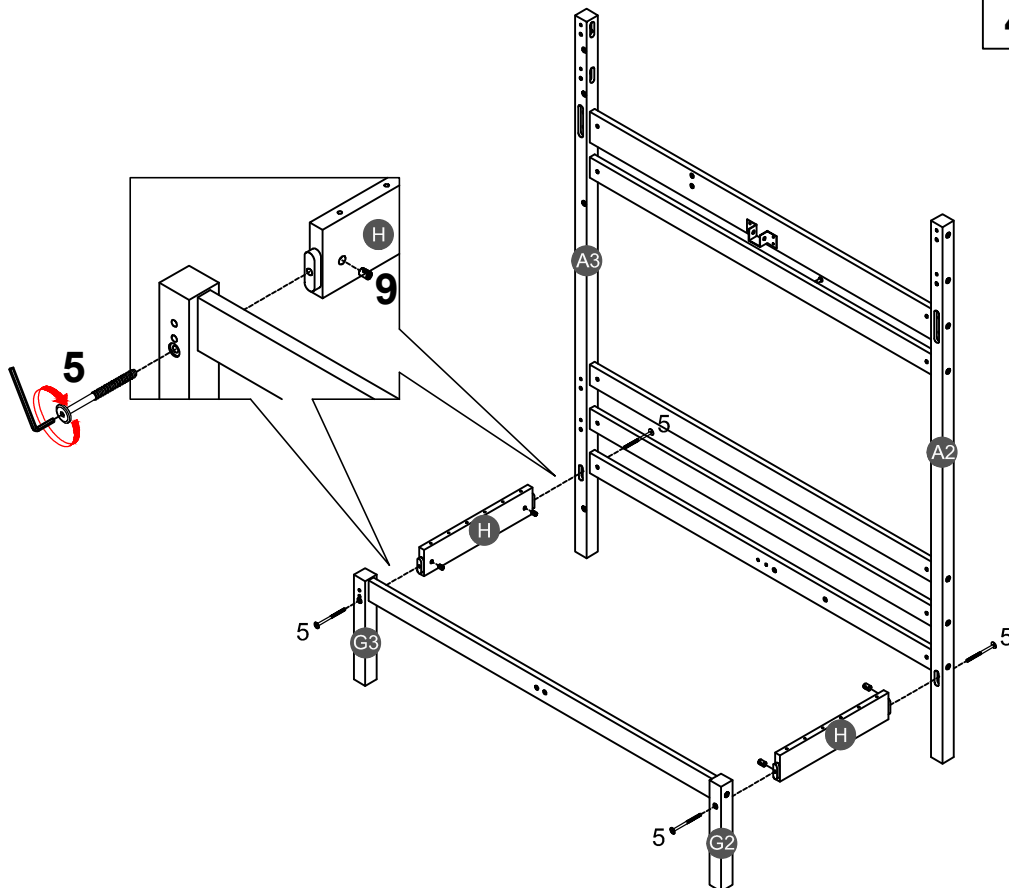




STEP 3:



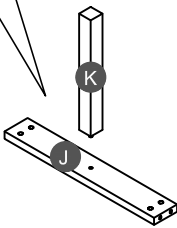
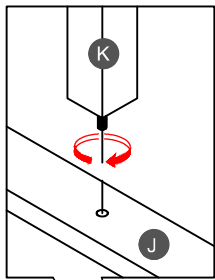
5		9	
2PCS		2PCS	

STEP 4:

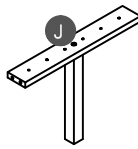
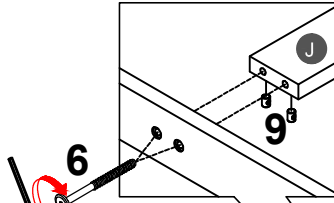


5		9	
4PCS		4PCS	

STEP 5:



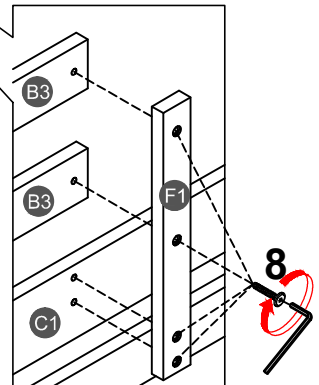
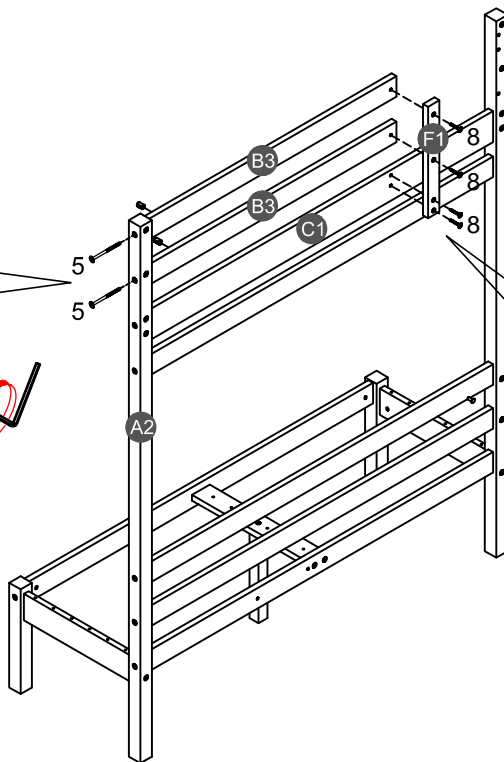
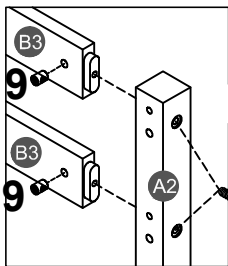
x 2



6		9	
4PCS		4PCS	

Assembling leg support (K) with lower support slat (J) later rotate.



STEP 6:

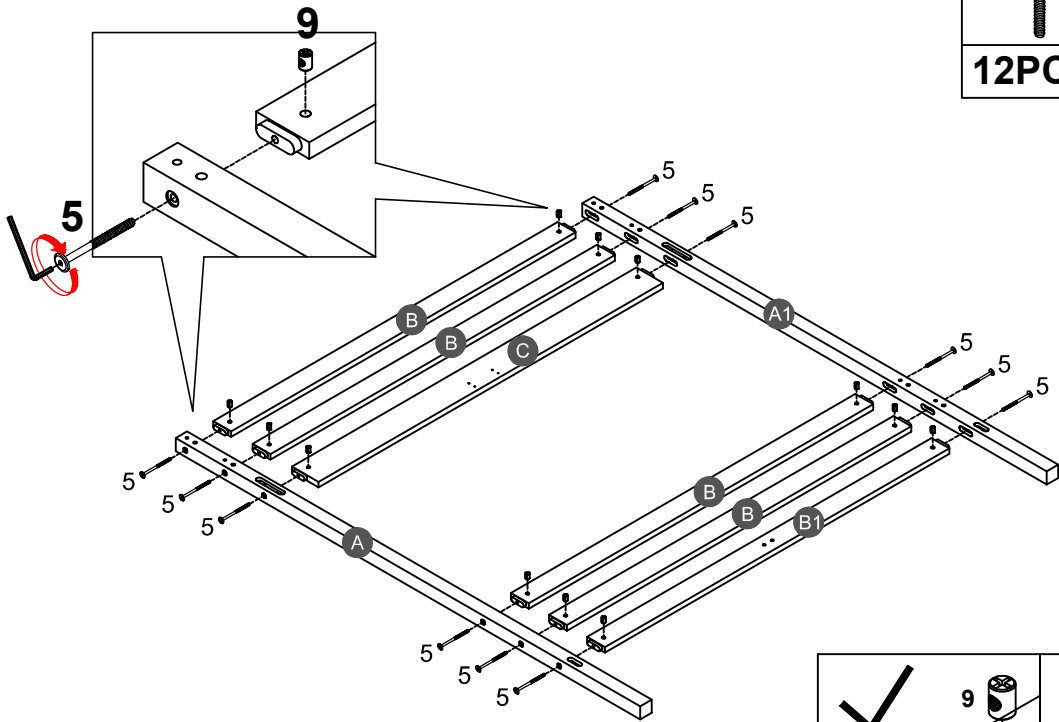


5		9	
2PCS		2PCS	

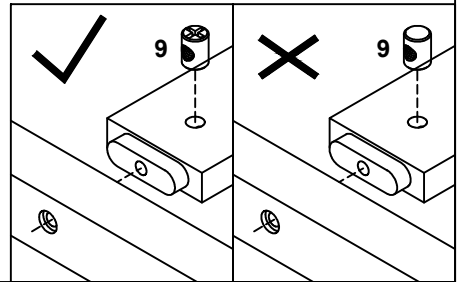
8	
4PCS	

STEP 7:


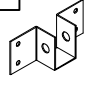
5		9	
12PCS		12PCS	

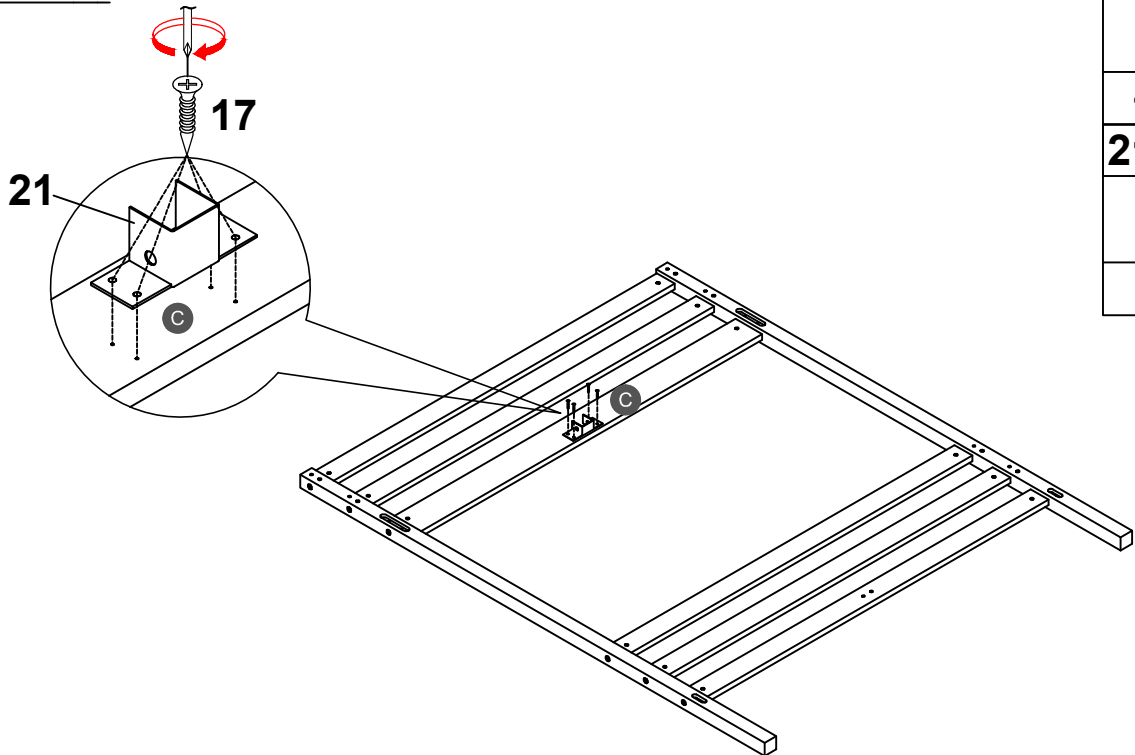


Note: Part 9 will face up with the "x" mark on it, otherwise it cannot be tightened





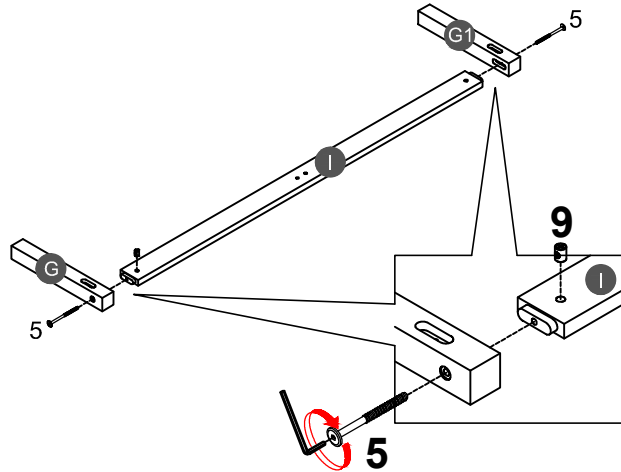
STEP 8:

17	
4PCS	
21	
1PC	


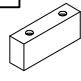


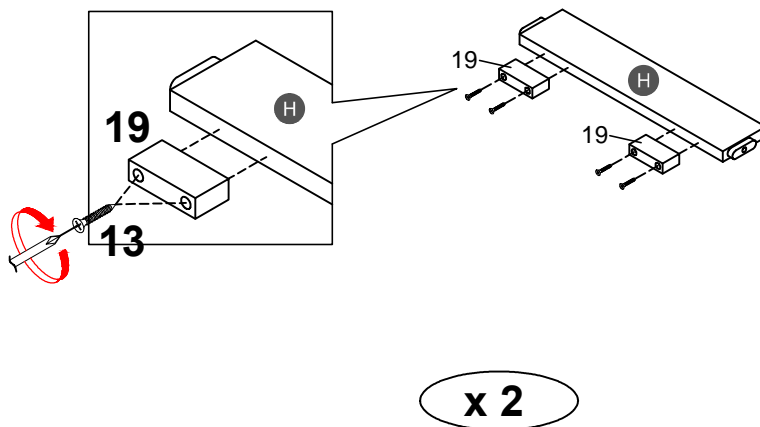
STEP 9:

5		9	
2PCS		2PCS	



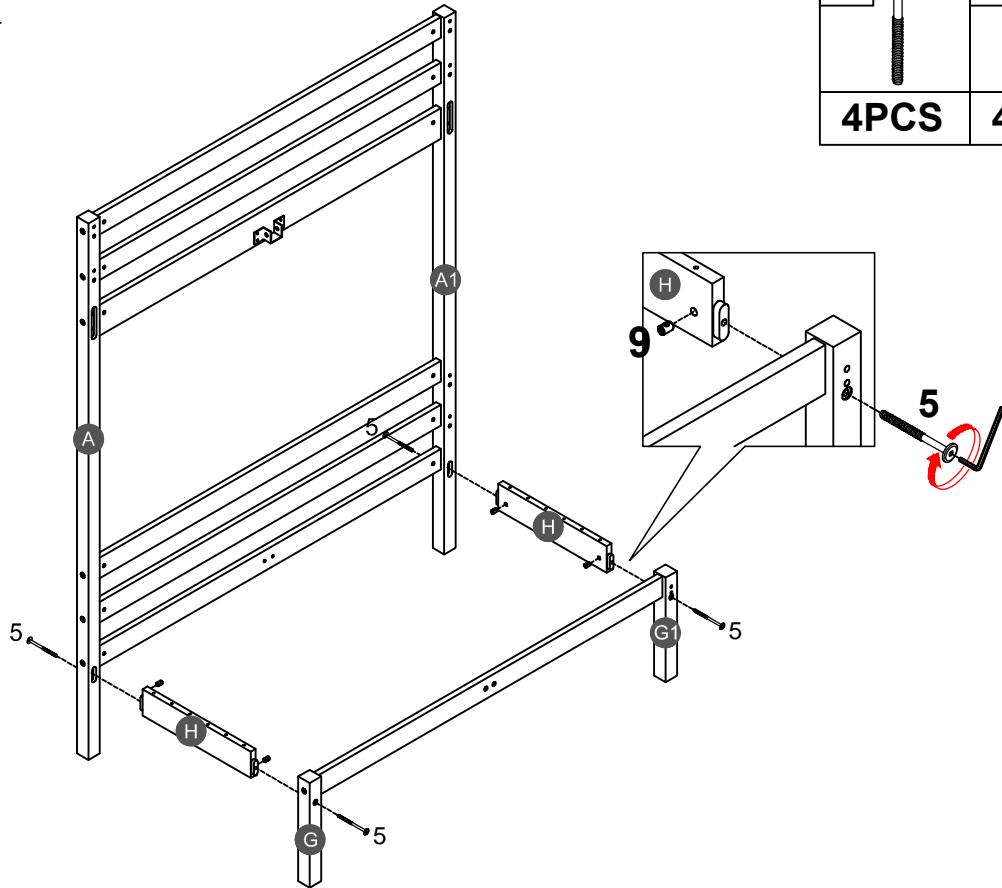
STEP 10:

13		19	
8PCS		4PCS	

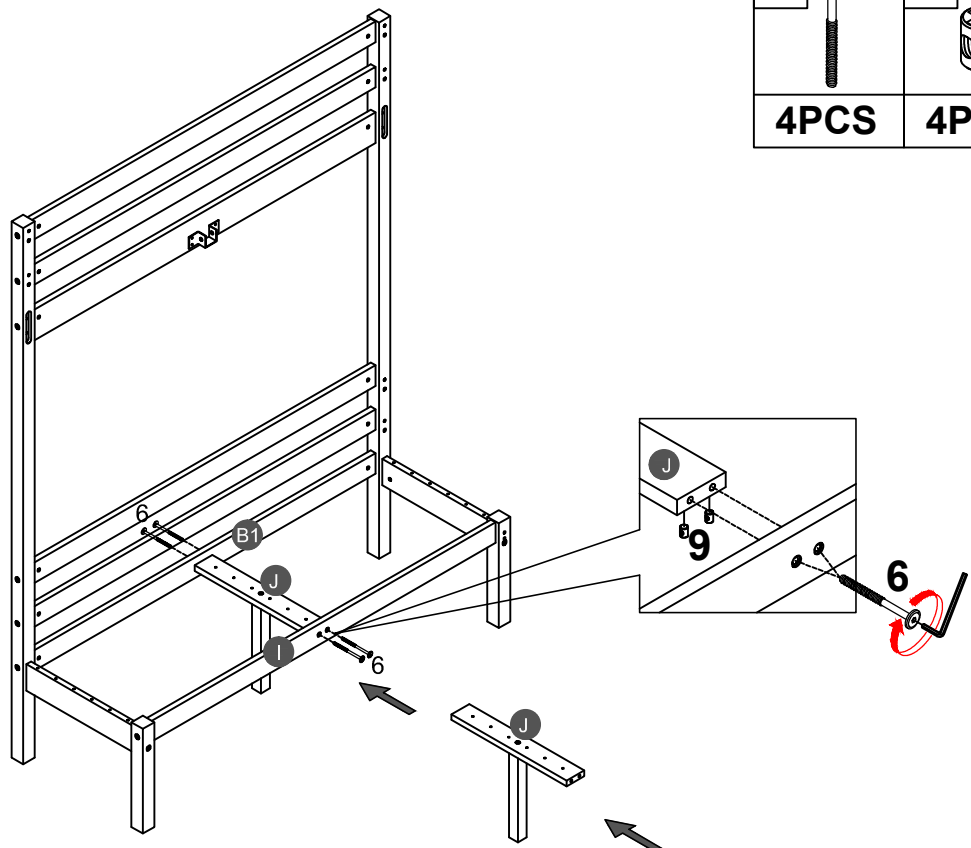


Drawer stopper (19) with lower side rail front (H) by using screw (13).

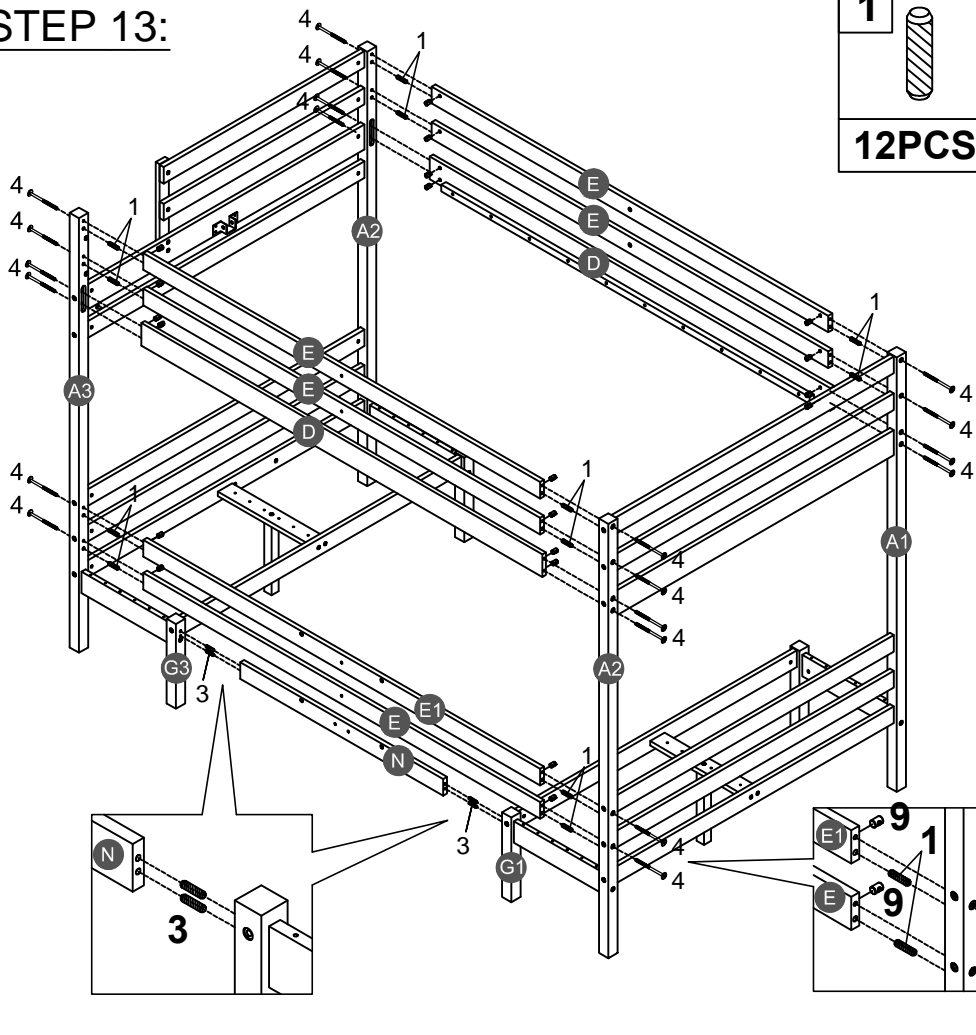
STEP 11:







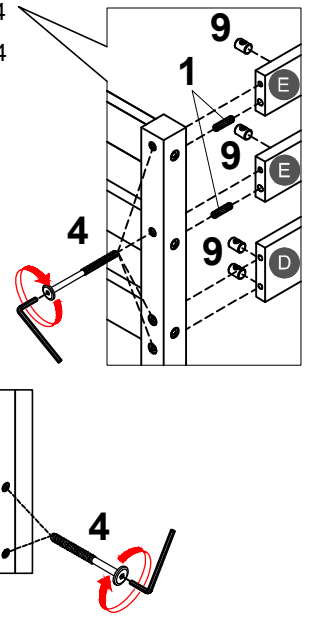
STEP 12:



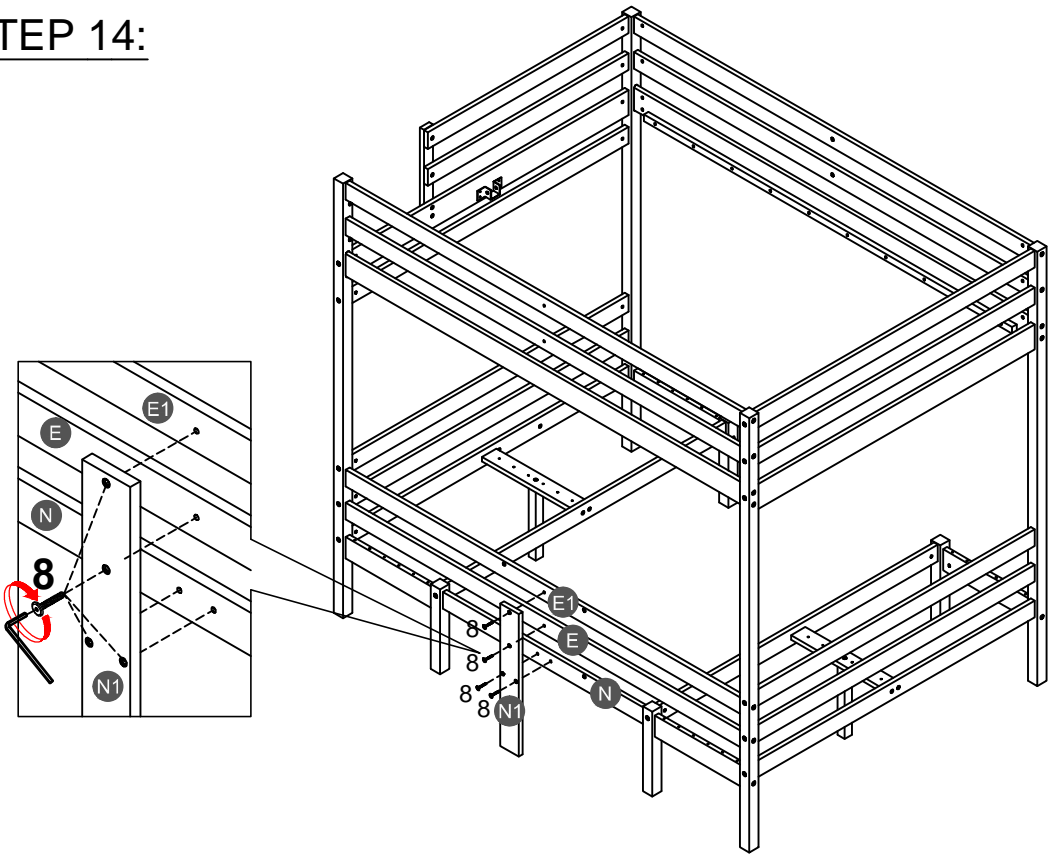
STEP 13:




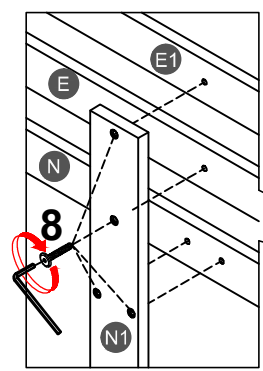
1 	3 	4 
12PCS	4PCS	20PCS
		9 
		20PCS



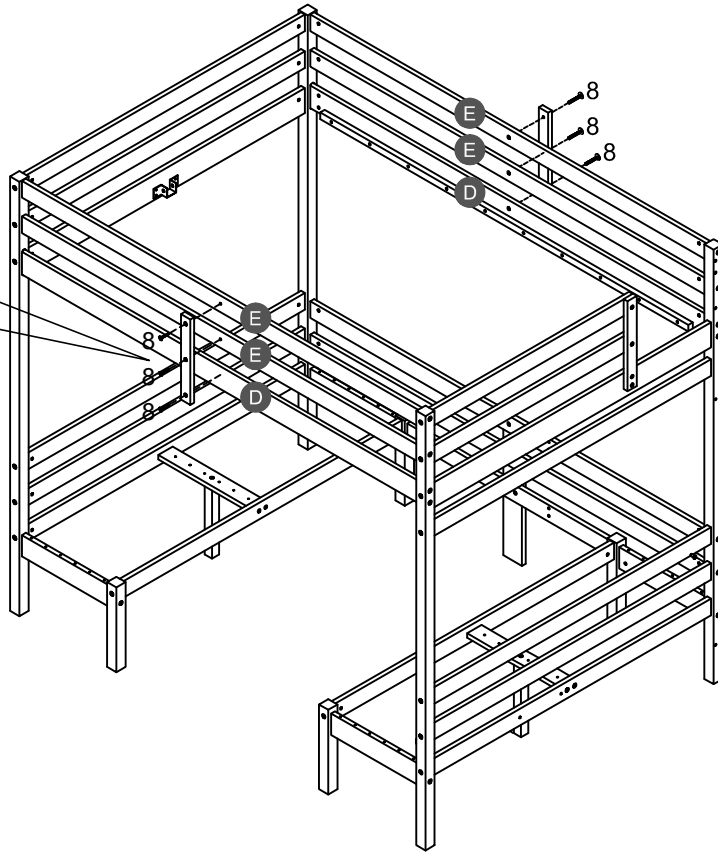
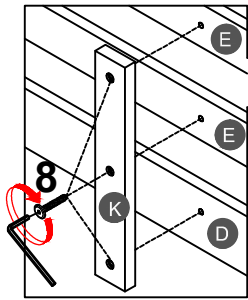
STEP 14:



8 
4PCS



STEP 15:

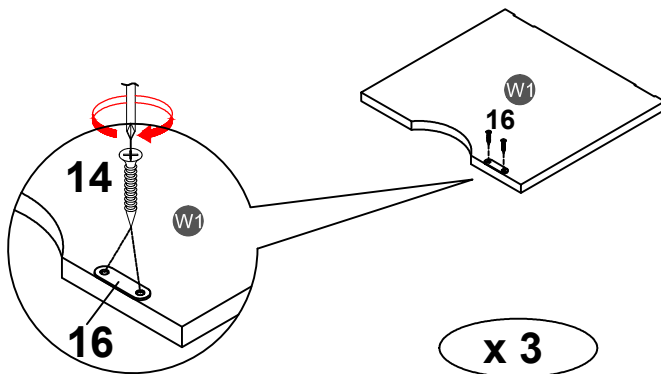


8



6PCS

STEP 16:



14



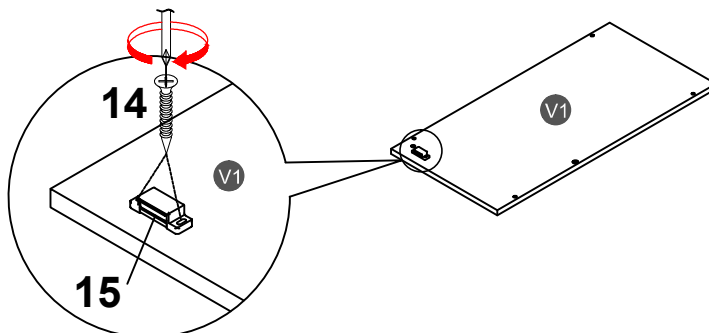
6PCS

16



3PCS

STEP 17:

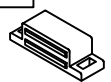


14




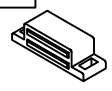
2PCS

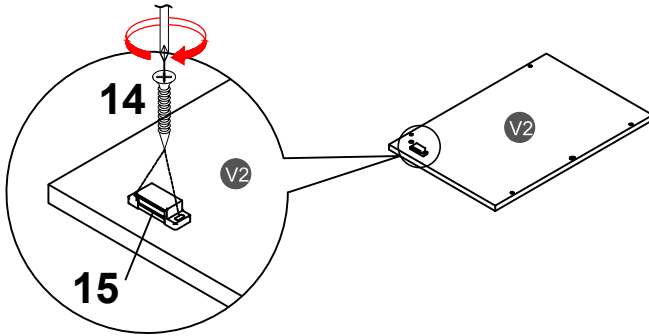
15




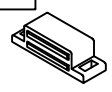
1PC

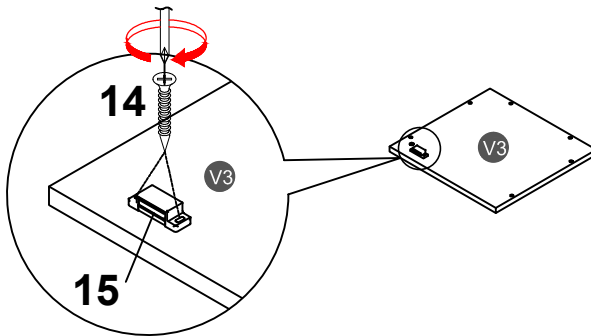
STEP 18:

14 	15 
2PCS	1PC





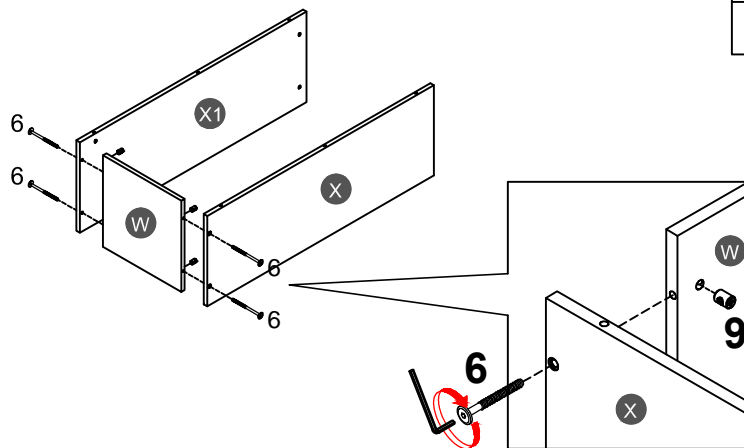
STEP 19:

14 	15 
2PCS	1PC

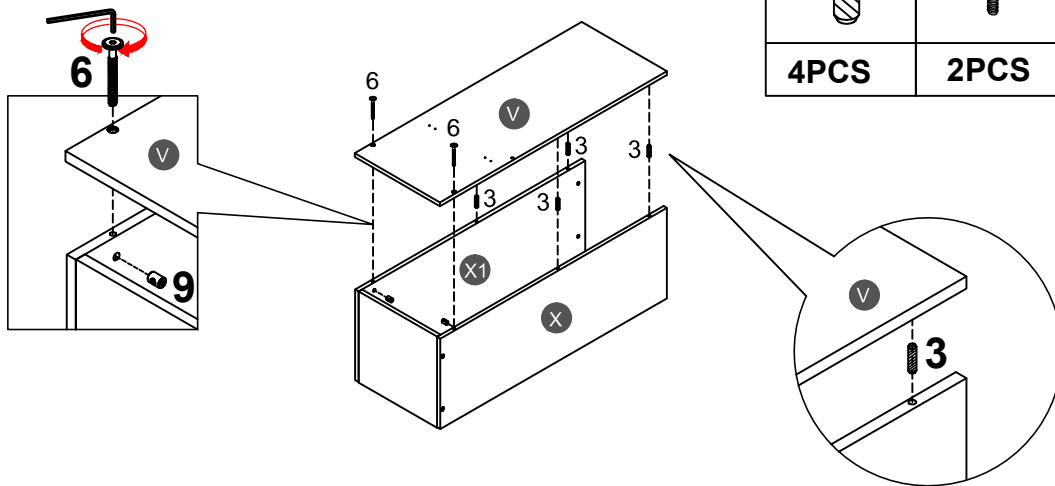





STEP 20:

6 	9 
4PCS	4PCS

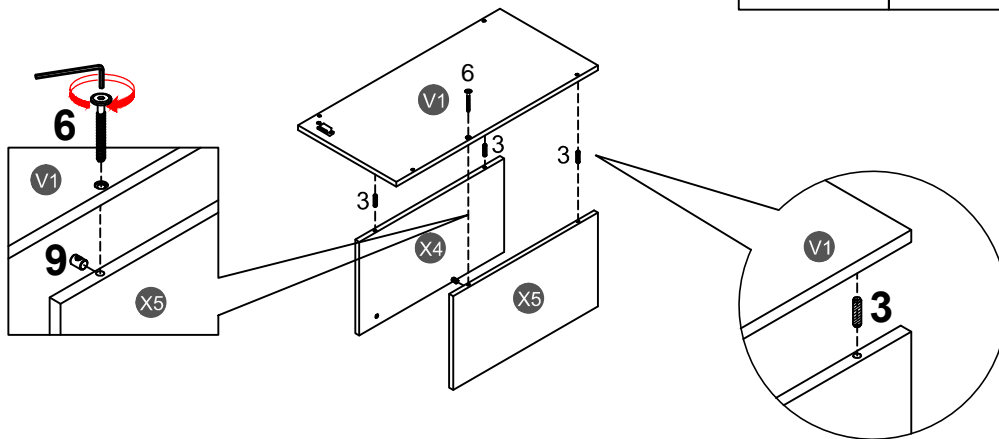





STEP 21:



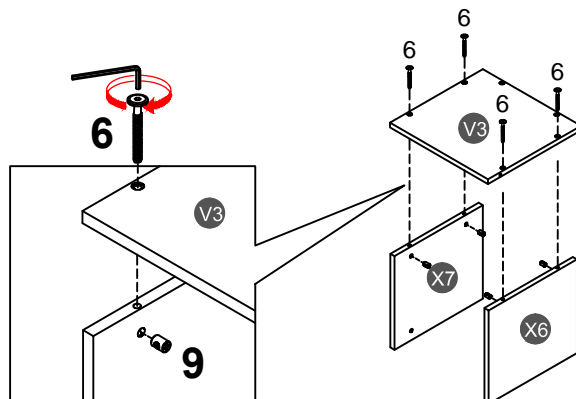
3		6		9	
4PCS		2PCS		2PCS	



STEP 22:






3		6		9	
3PCS		1PC		1PC	

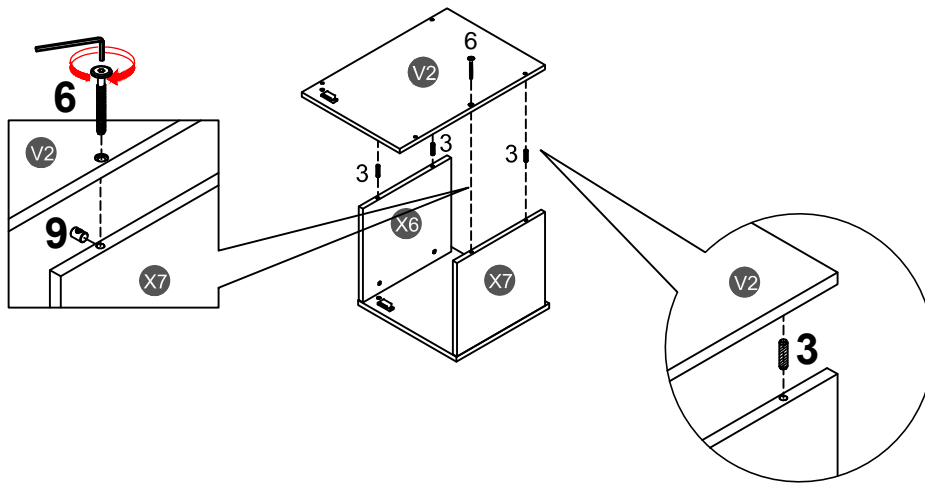
STEP 23:






6		9	
4PCS		4PCS	

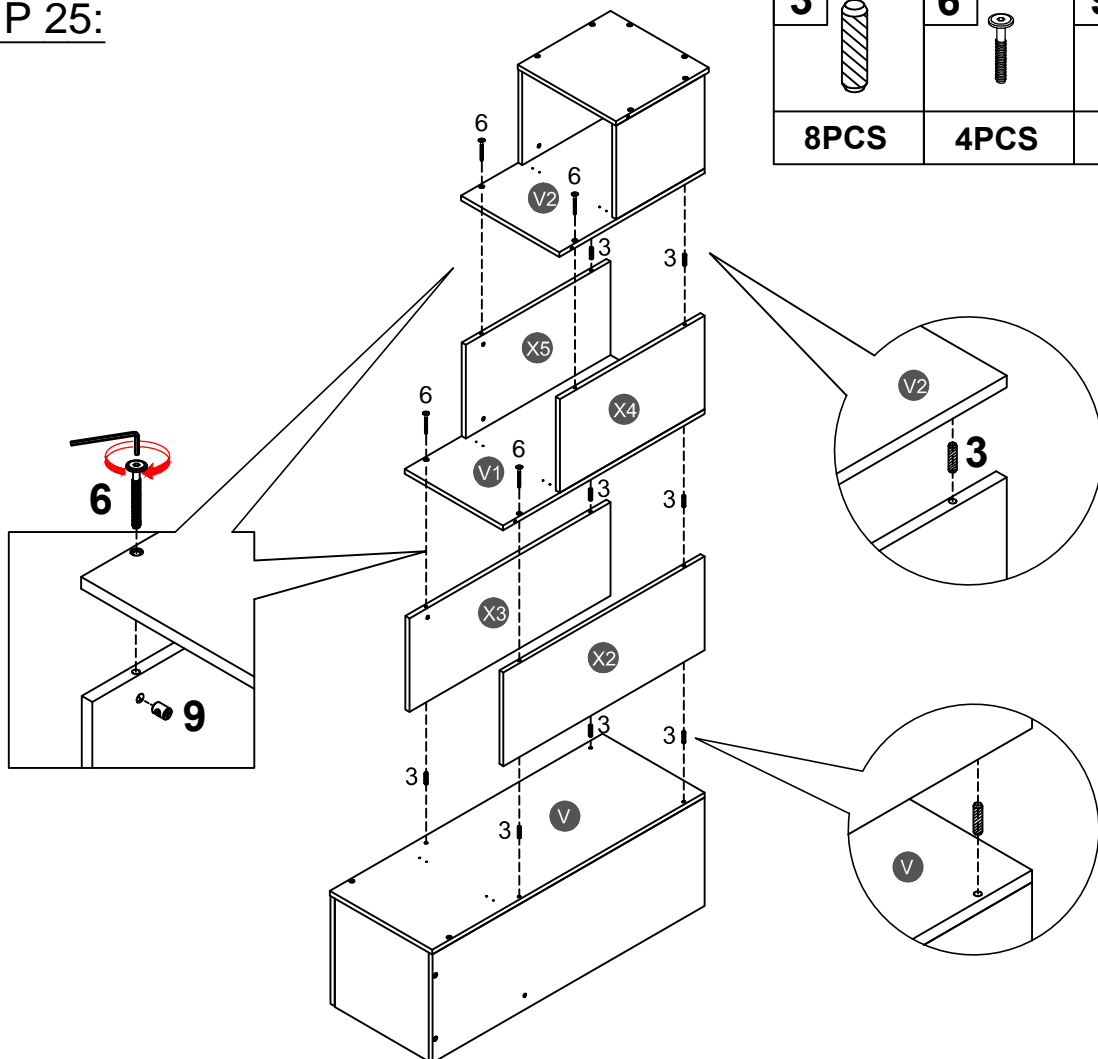
STEP 24:

3		6		9	
3PCS		1PC		1PC	




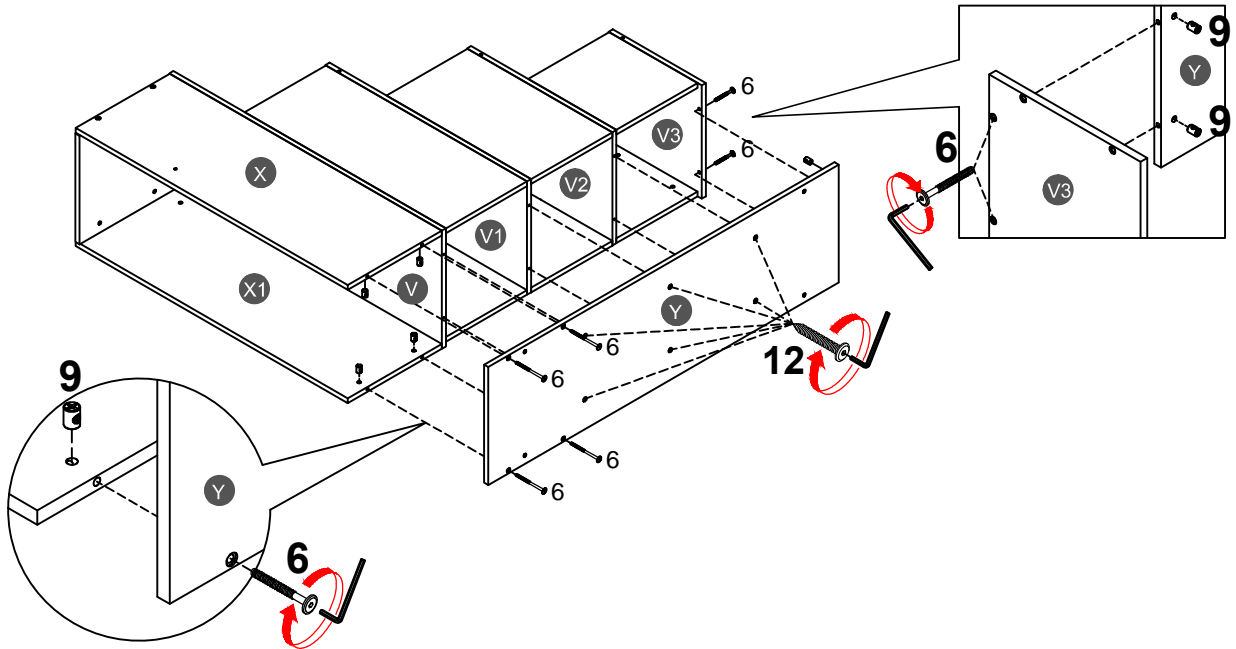
STEP 25:

3		6		9	
8PCS		4PCS		4PCS	







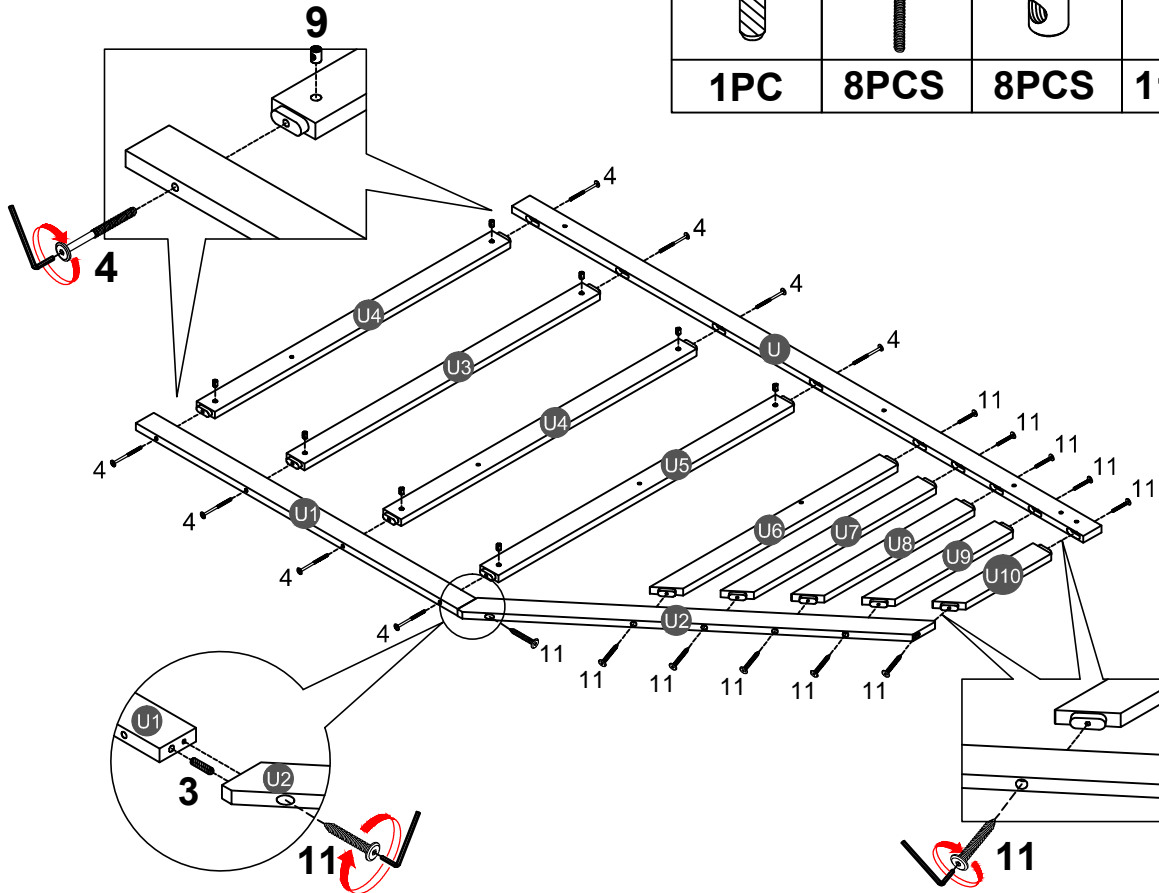
STEP 26:

6 	9 	12 
6PCS	6PCS	6PCS

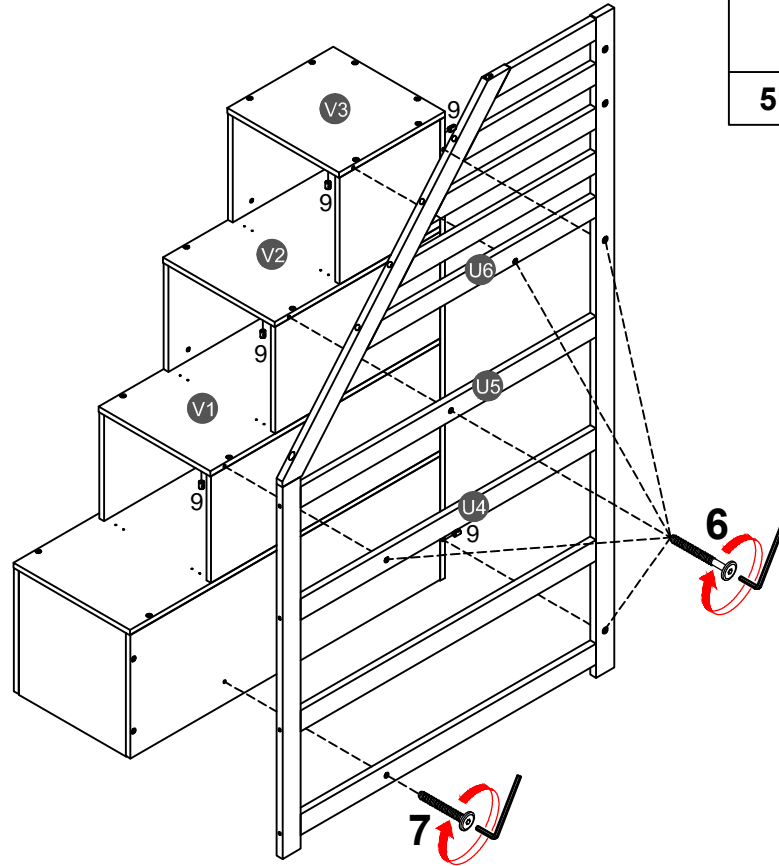


STEP 27:

3 	4 	9 	11 
1PC	8PCS	8PCS	11PCS

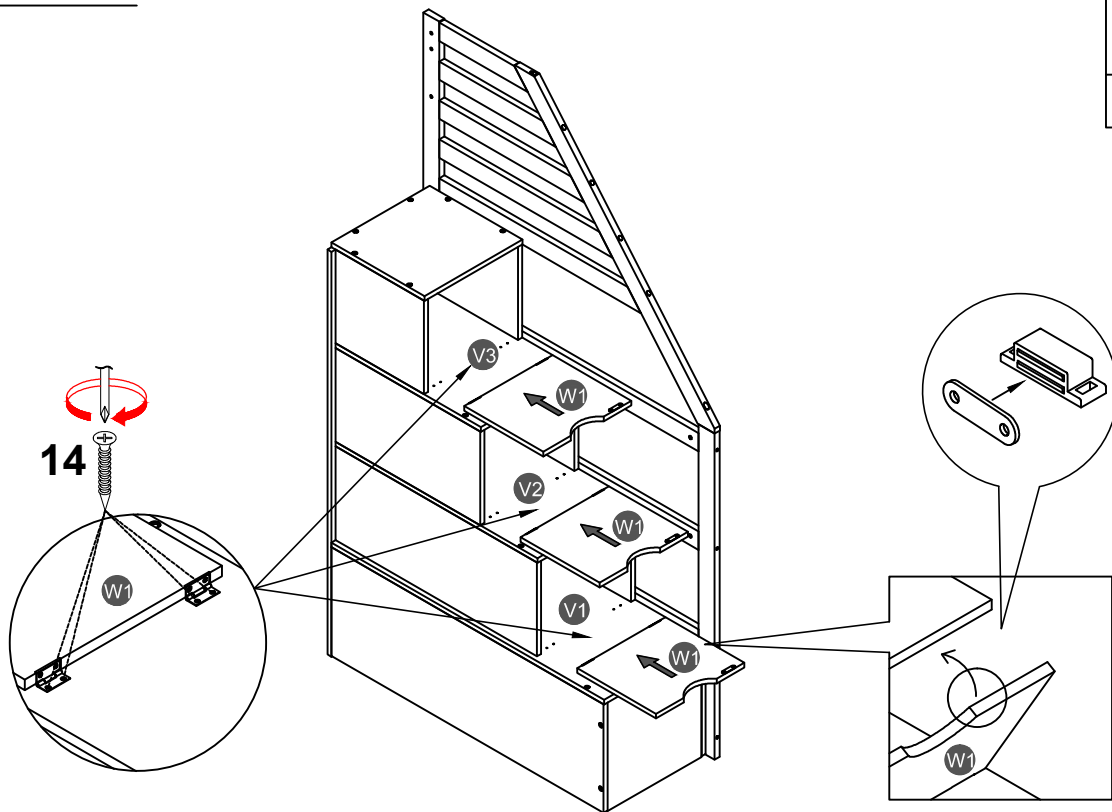


STEP 28:



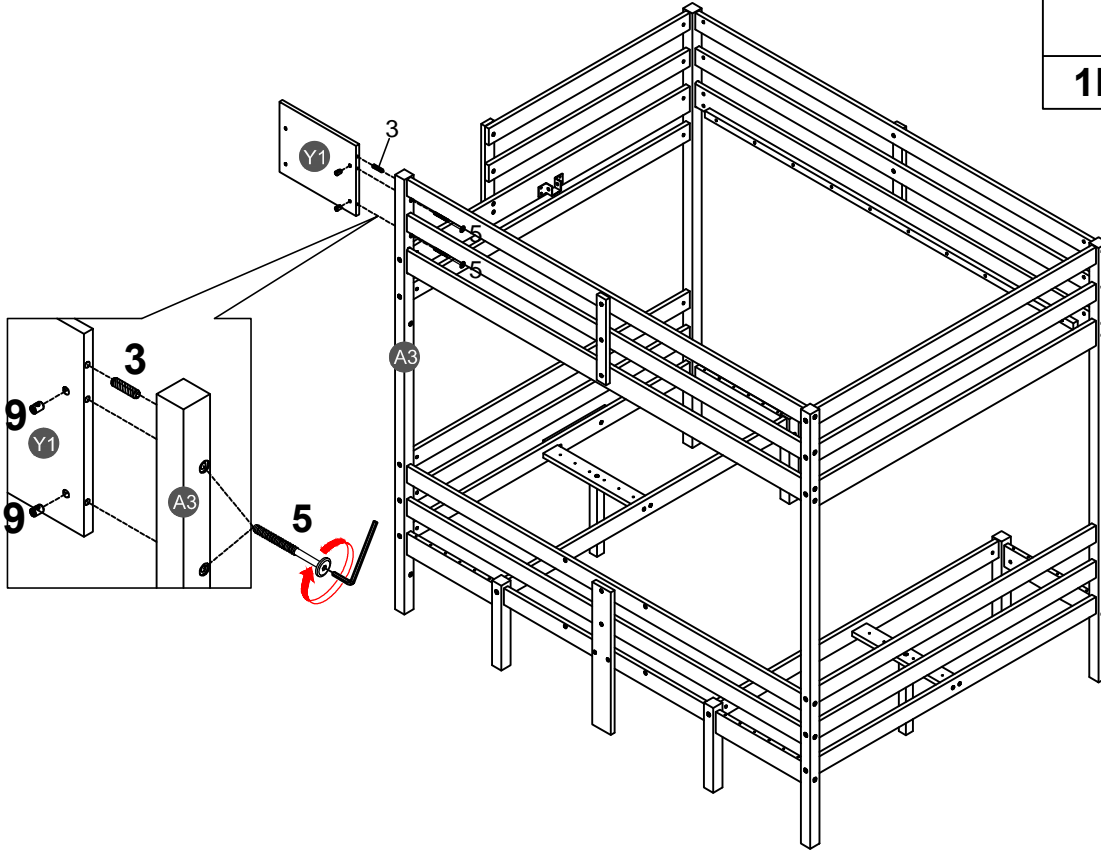
6		9	
5PCS		5PCS	
		7	
		1PC	

STEP 29:



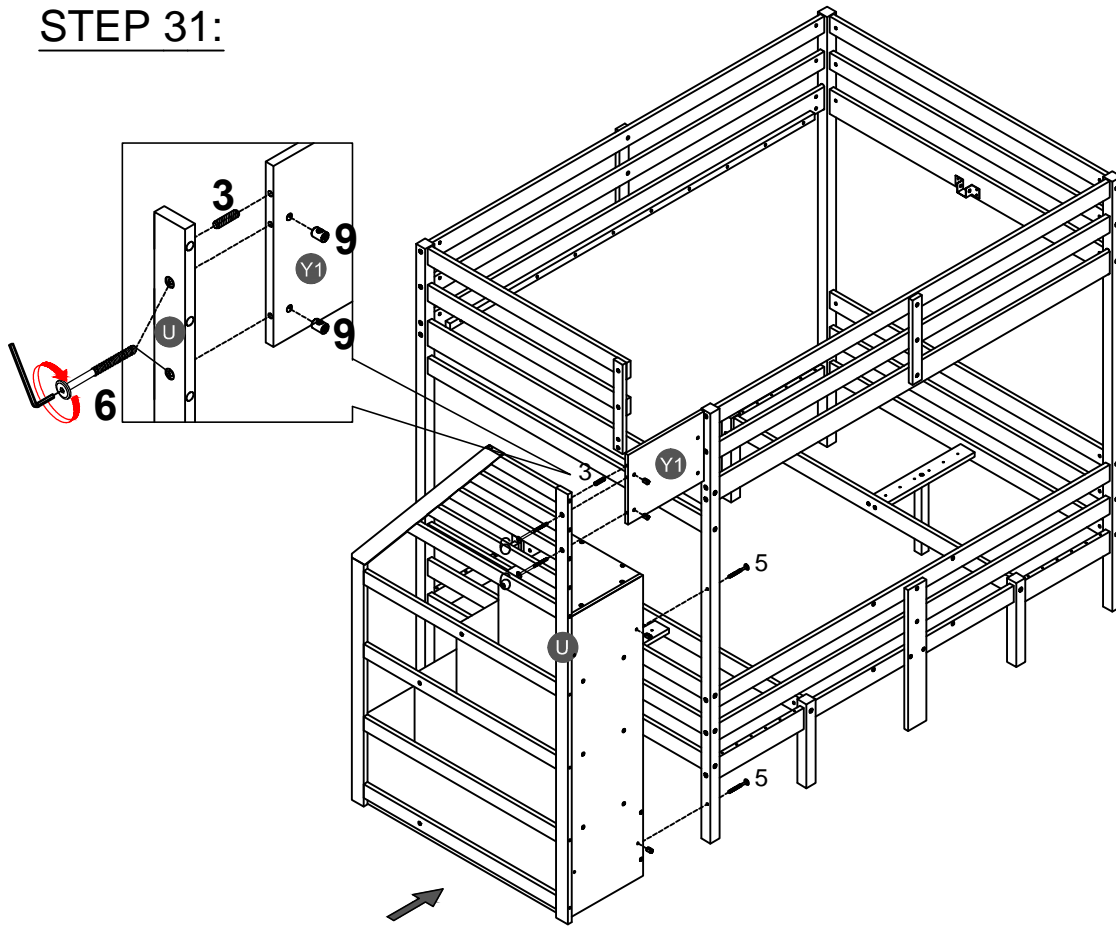
14	
12PCS	

STEP 30:



3		5	
1PC		2PCS	
		9	
		2PCS	

STEP 31:



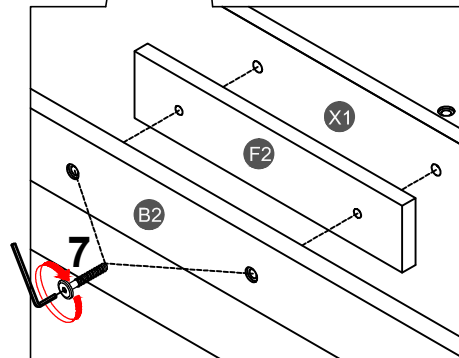
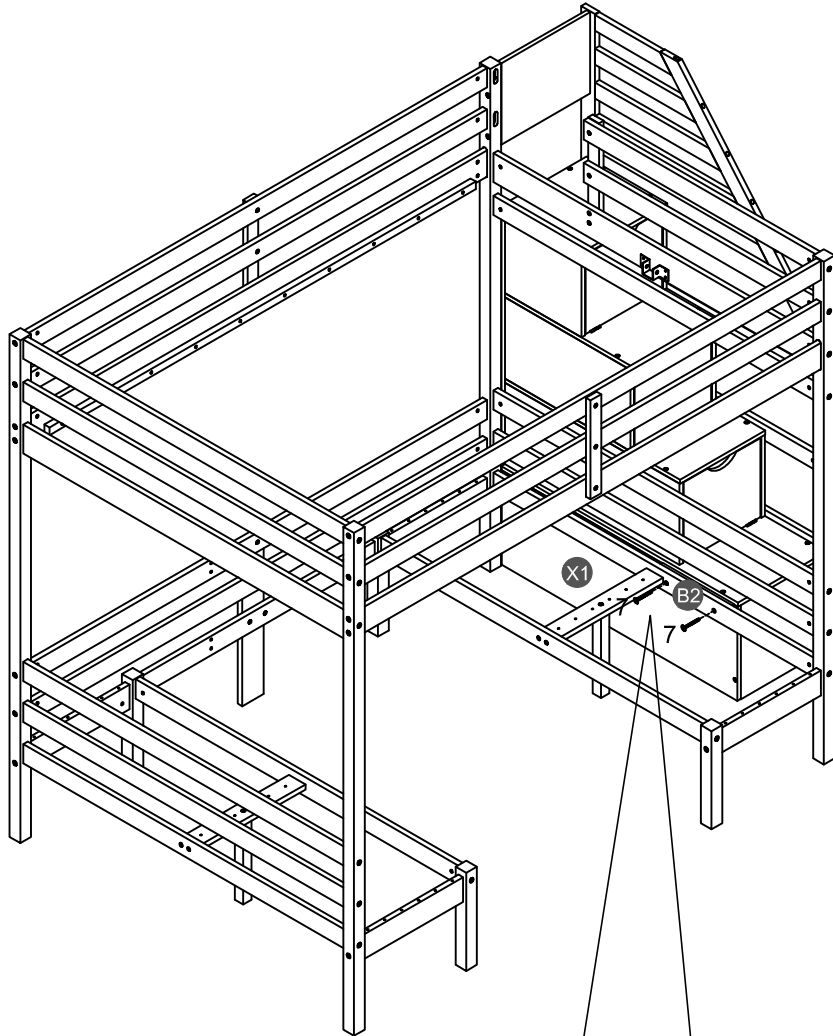
3	
1PC	
6	
2PCS	
5	
2PCS	
9	
2PCS	

STEP 32:



7

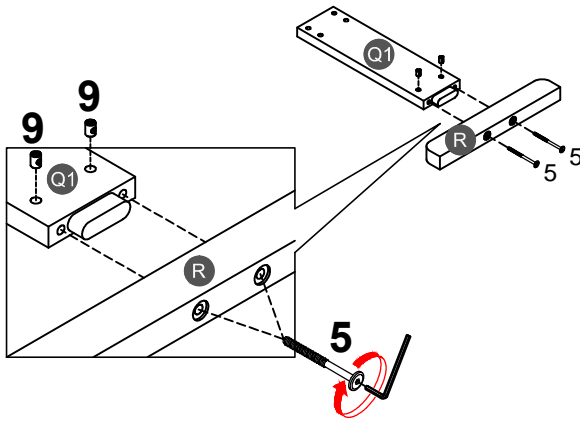


2PCS




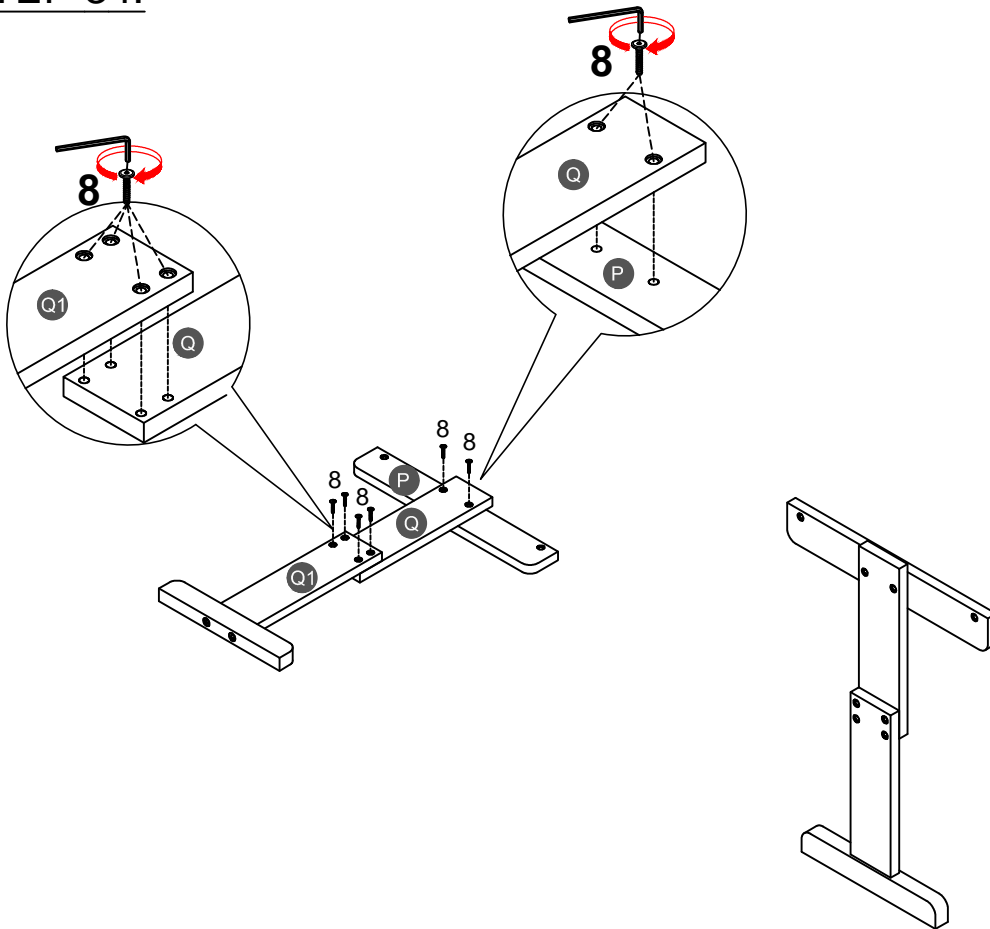
STEP 33:

5		9	
2PCS		2PCS	

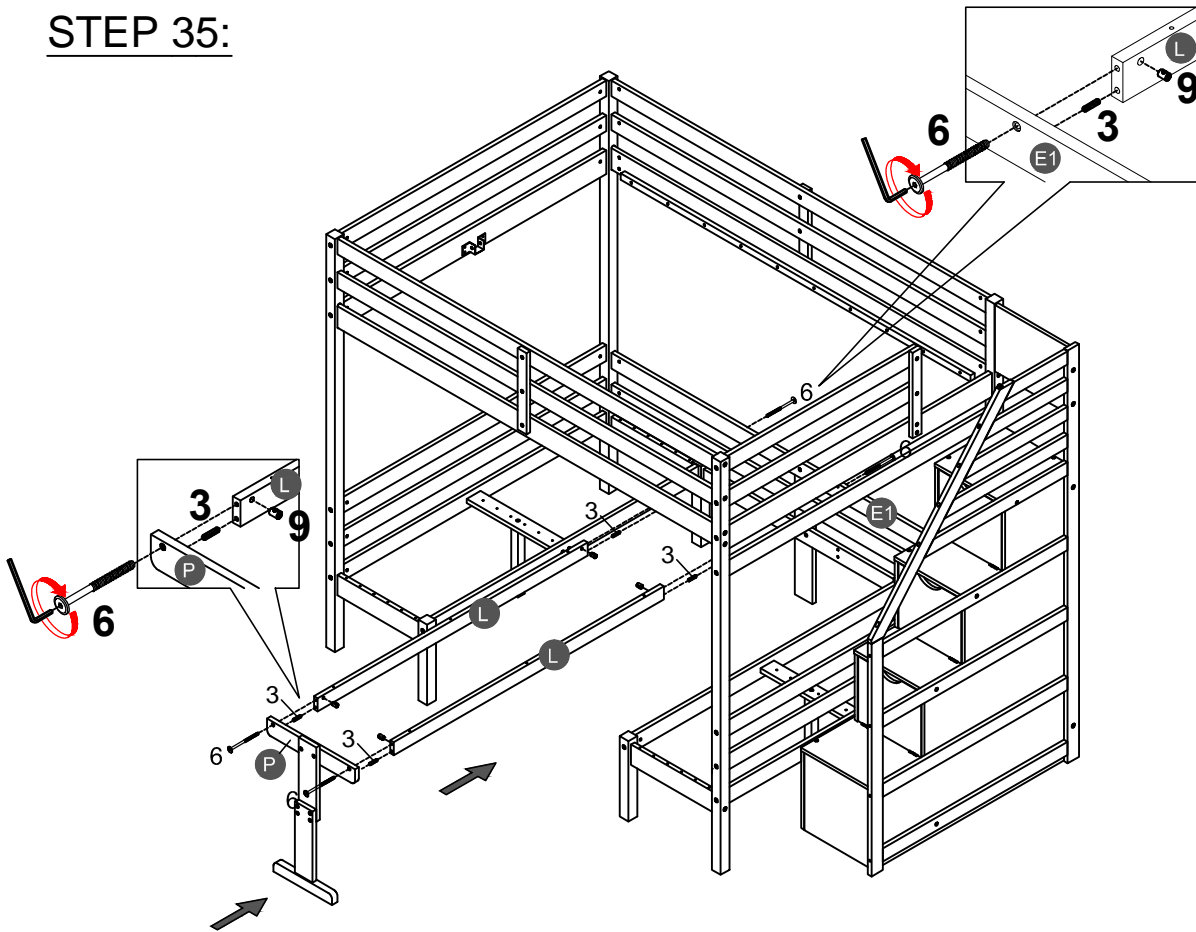


STEP 34:

8	
6PCS	

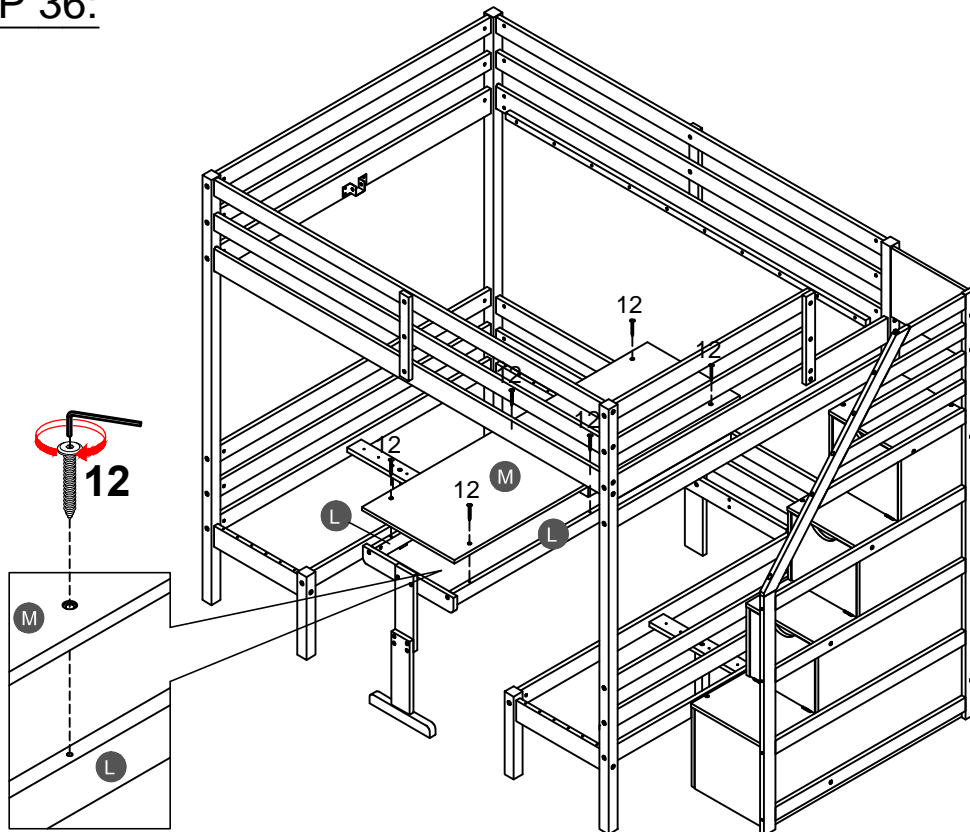


STEP 35:



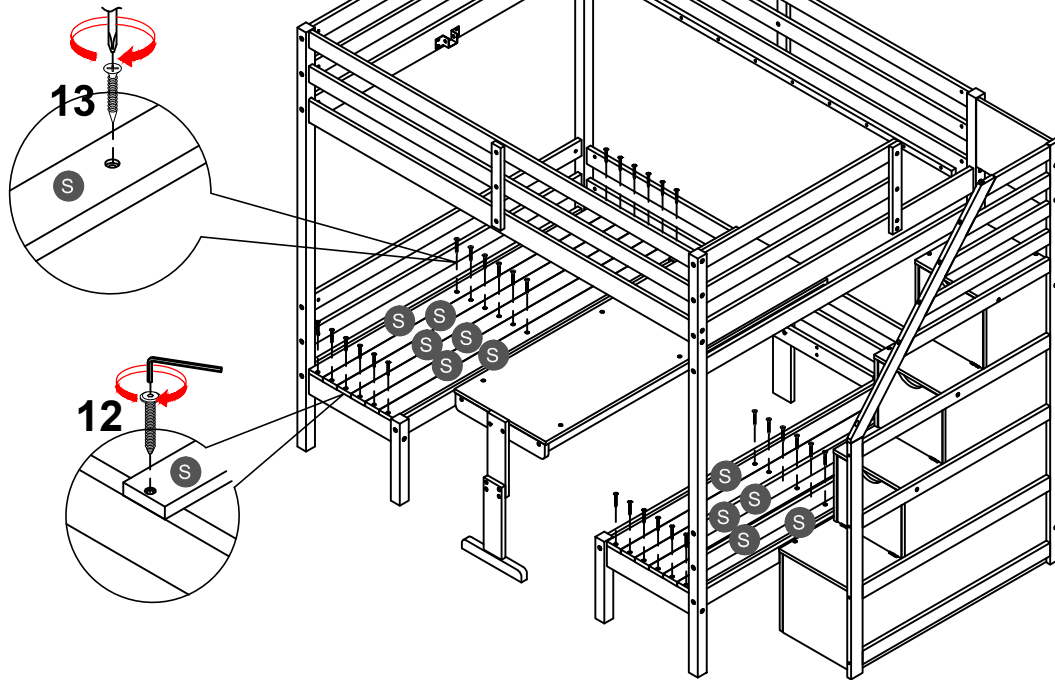
3	
4PCS	
6	
4PCS	
9	
4PCS	



STEP 36:



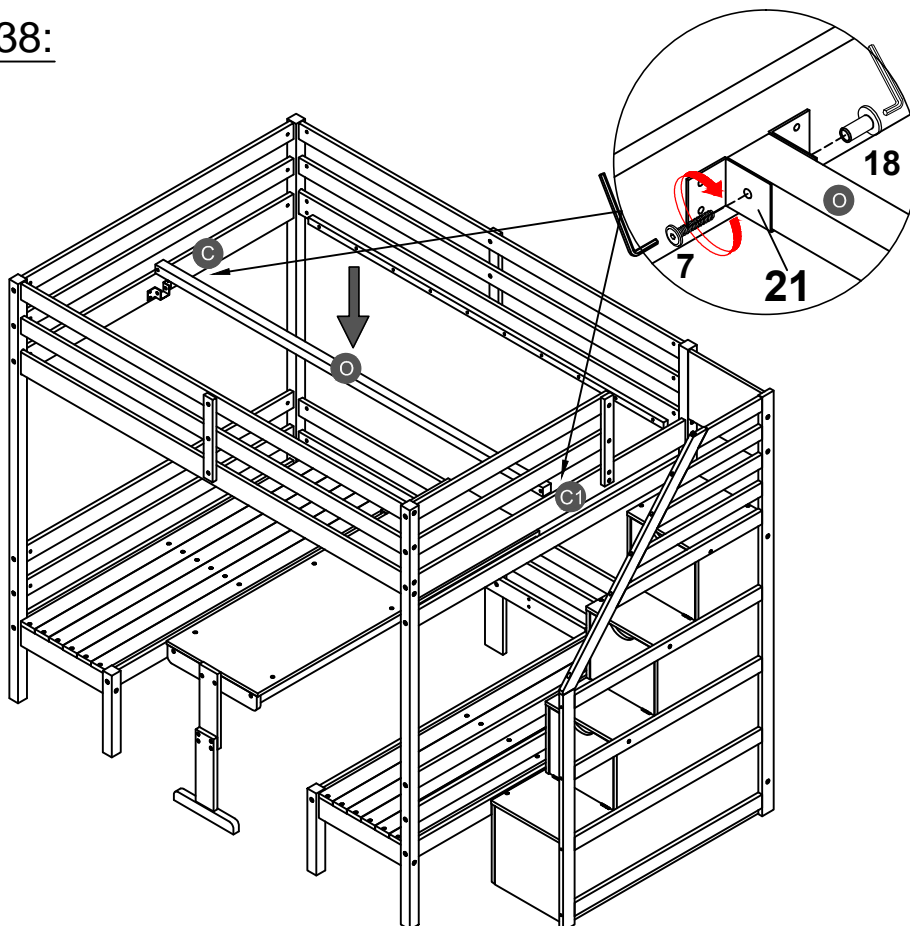
12	
6PCS	


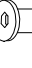
STEP 37:




12		13	
24PCS		12PCS	

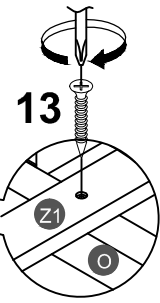
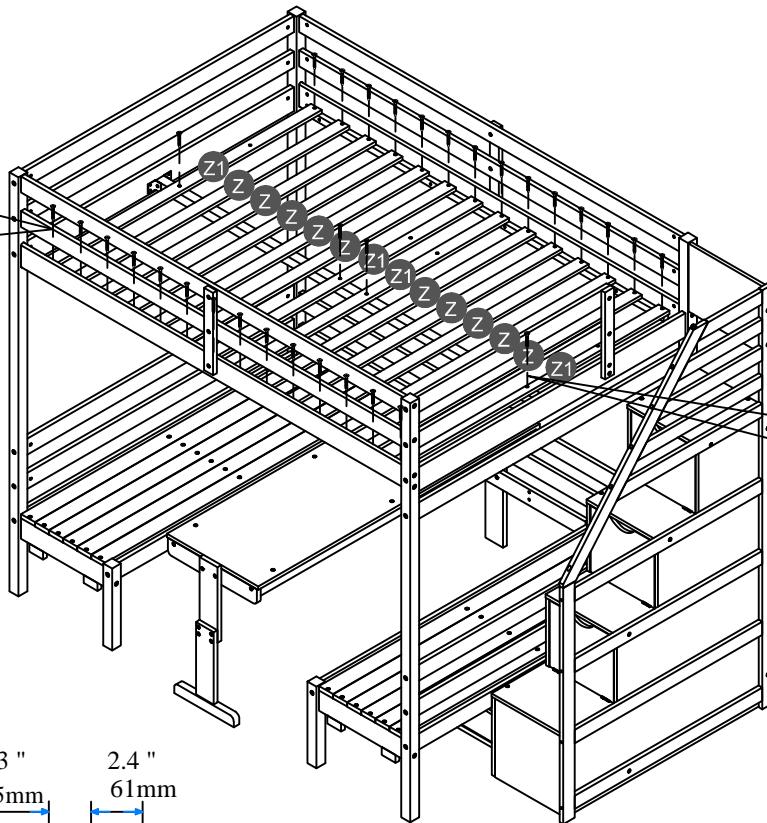
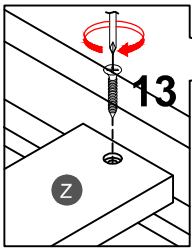
STEP 38:



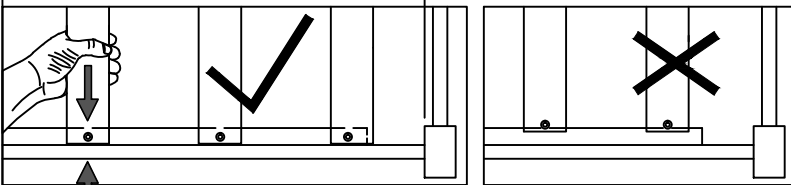
7	
2PCS	
18	
2PCS	

STEP 39:

13	
32PCS	






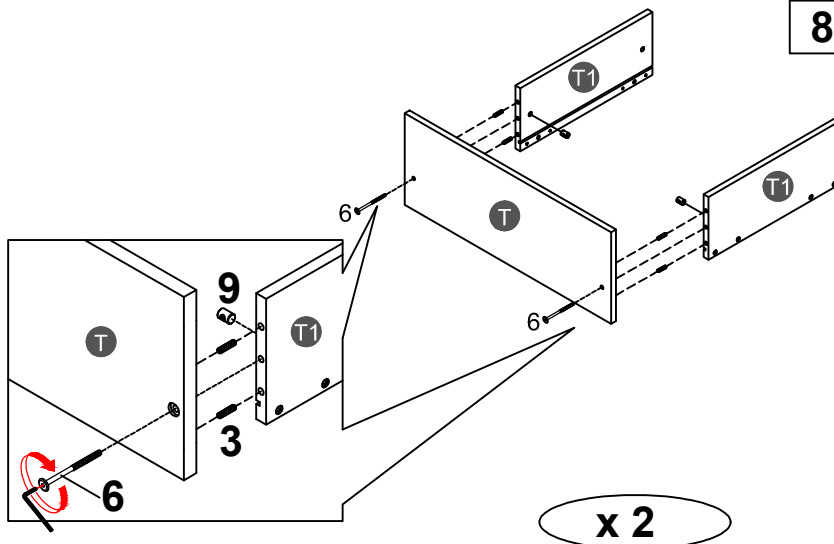
3.1" 79mm 3.3" 84.5mm 2.4" 61mm



NOTE: Please make sure the bed slats close to the side rail before locking the screws to avoid breakage. This step is required for both the left and right sides. Moreover, please do not lock the screws of the bed slats at the outermost edge to avoid damaging.




STEP 40:

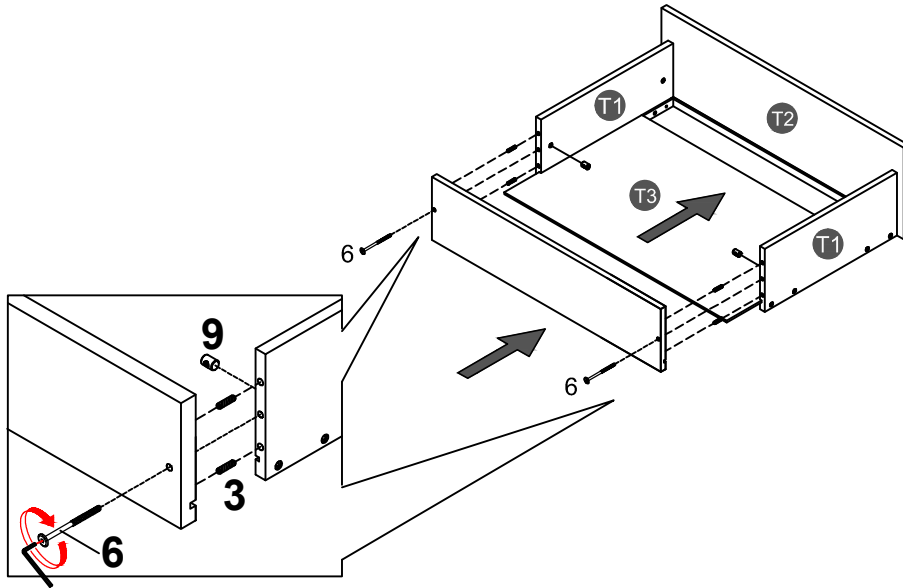
3		6		9	
8PCS		4PCS		4PCS	



x 2

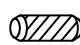

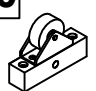
STEP 41:

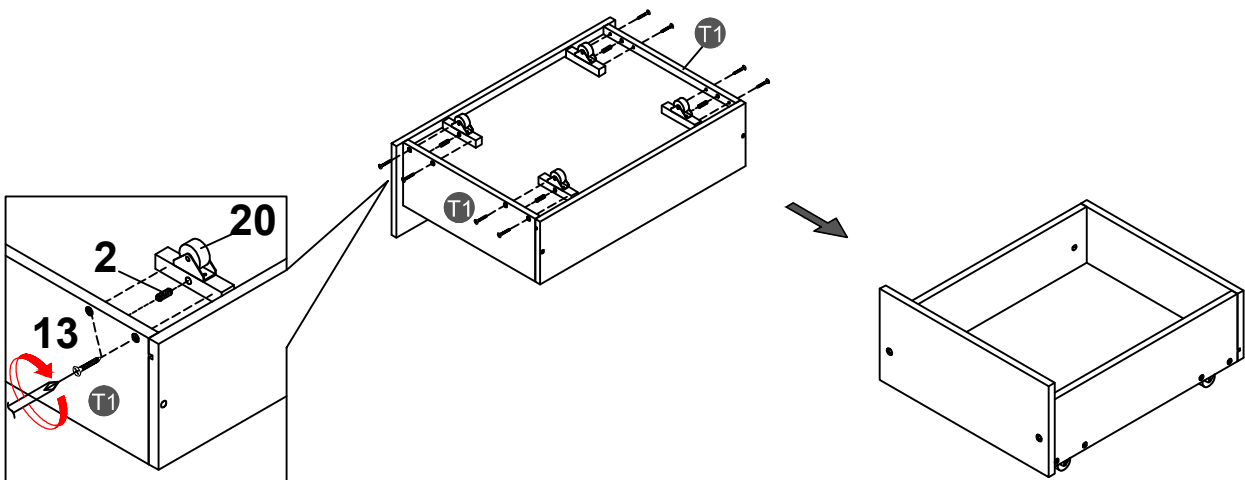
3		6		9	
8PCS		4PCS		4PCS	



x 2

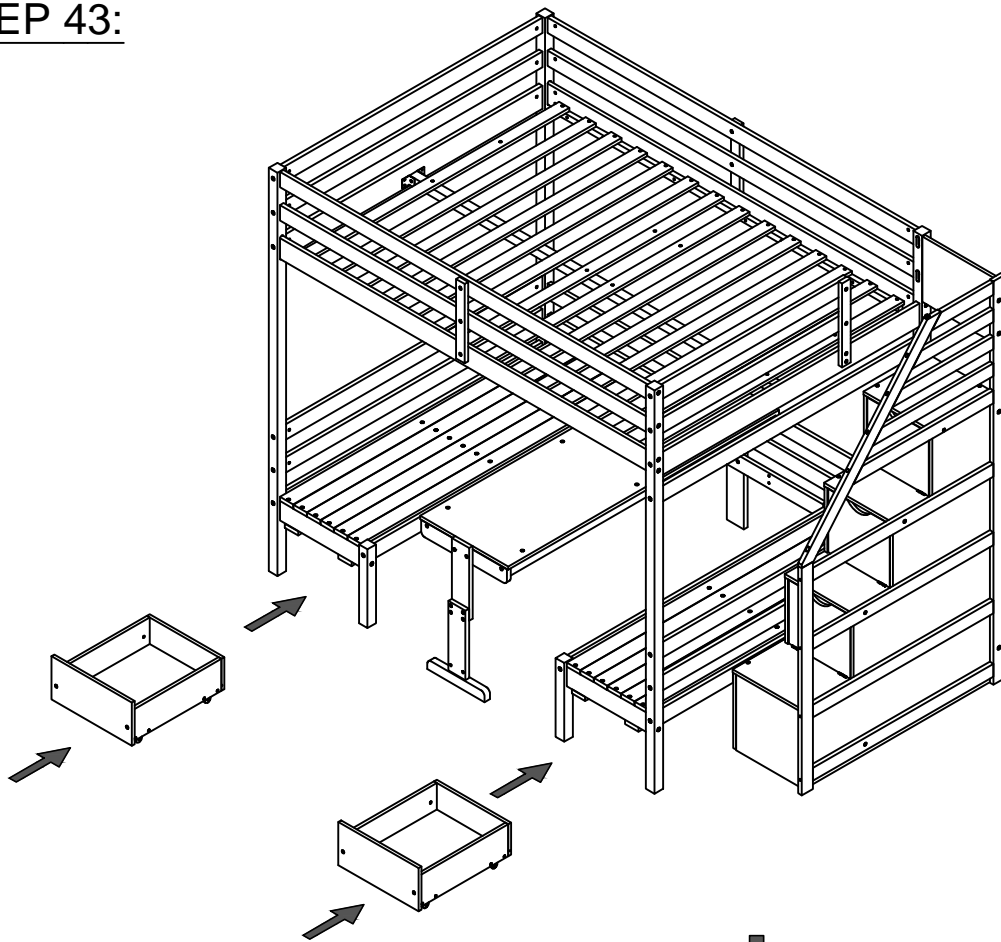
STEP 42:

2		13		20	
8PCS		16PCS		8PCS	

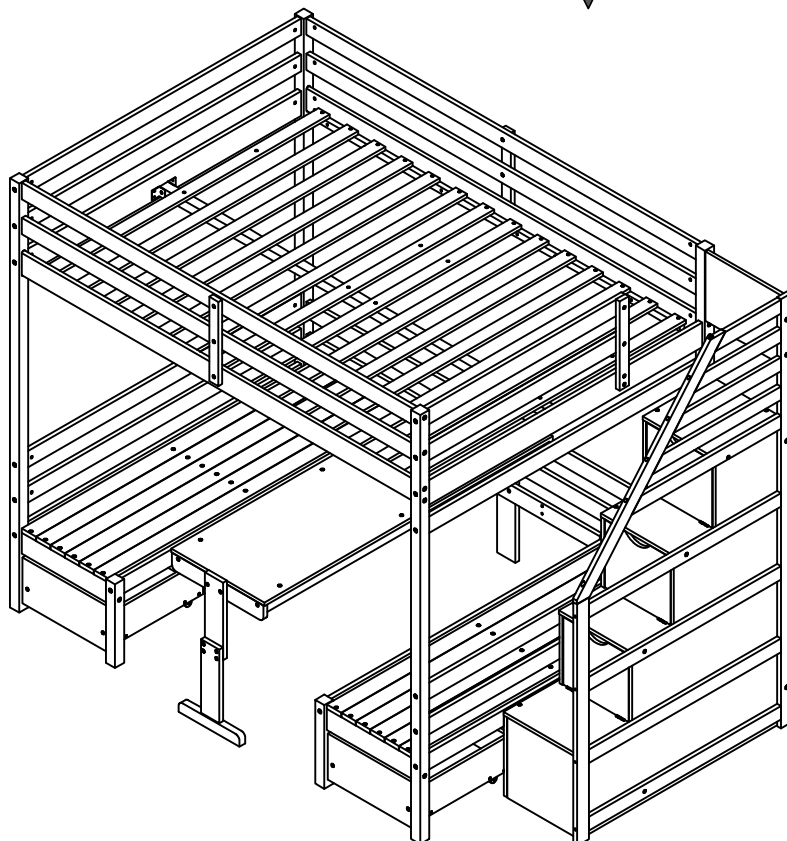


x 2

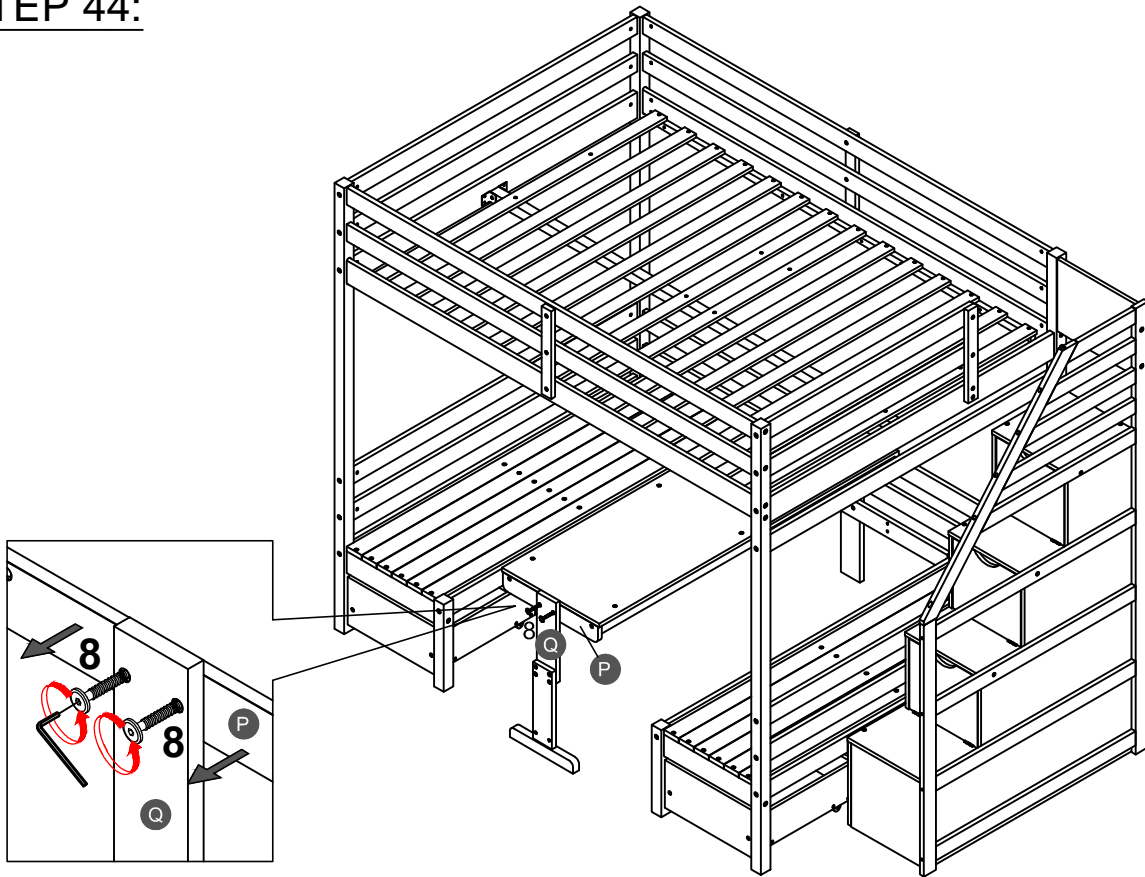
STEP 43:



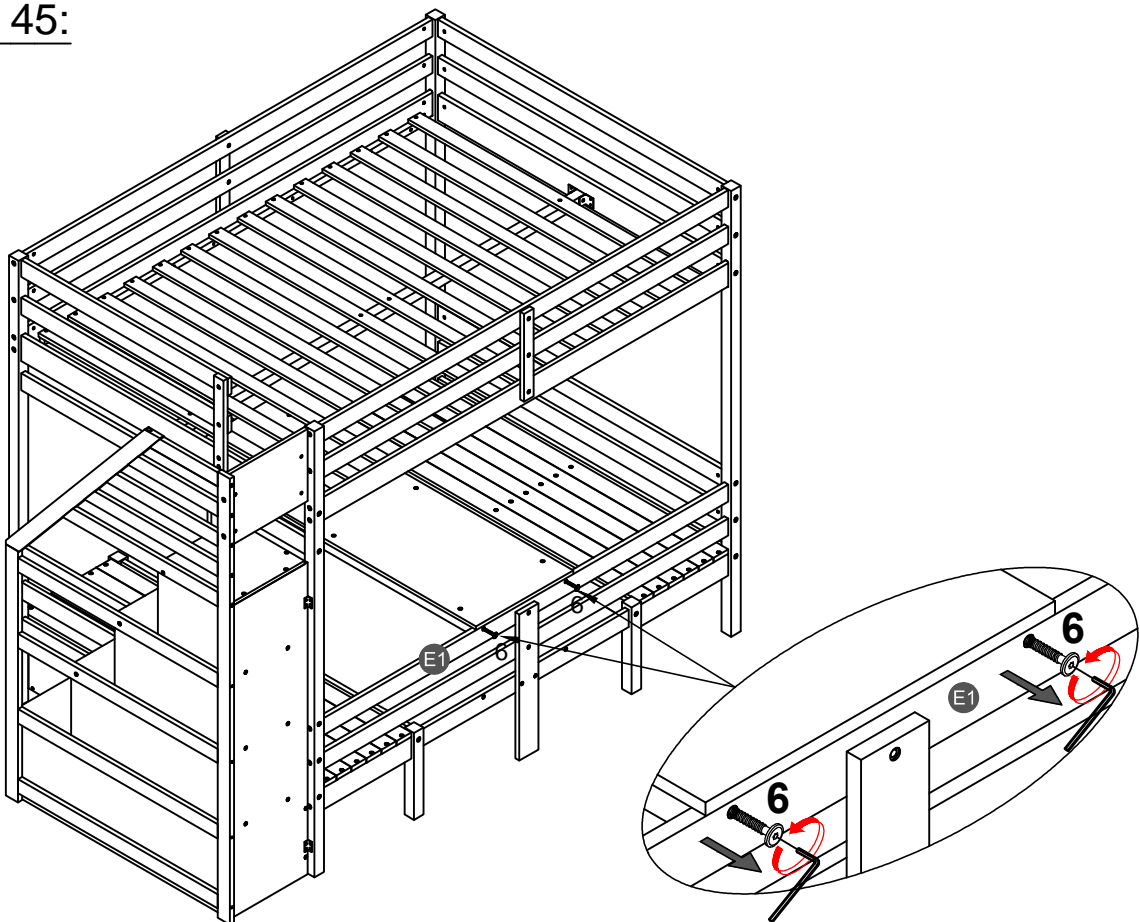
Push Drawer under the bottom of Bunk Bed.



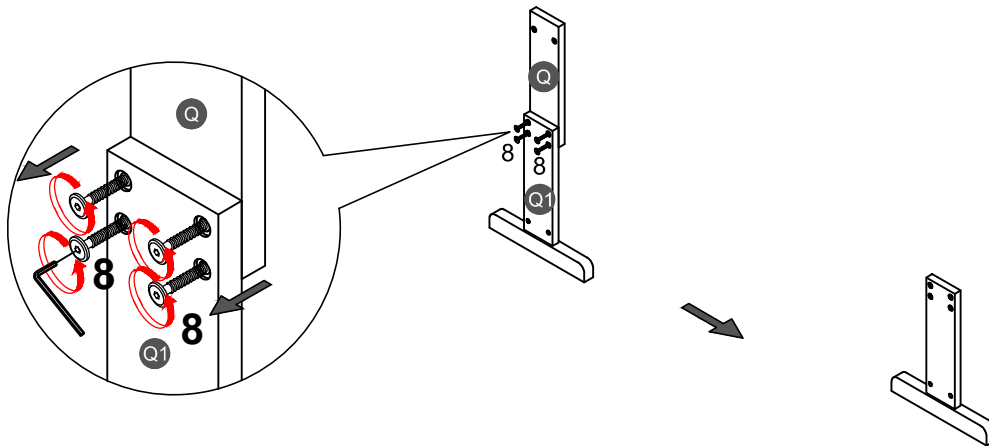
STEP 44:



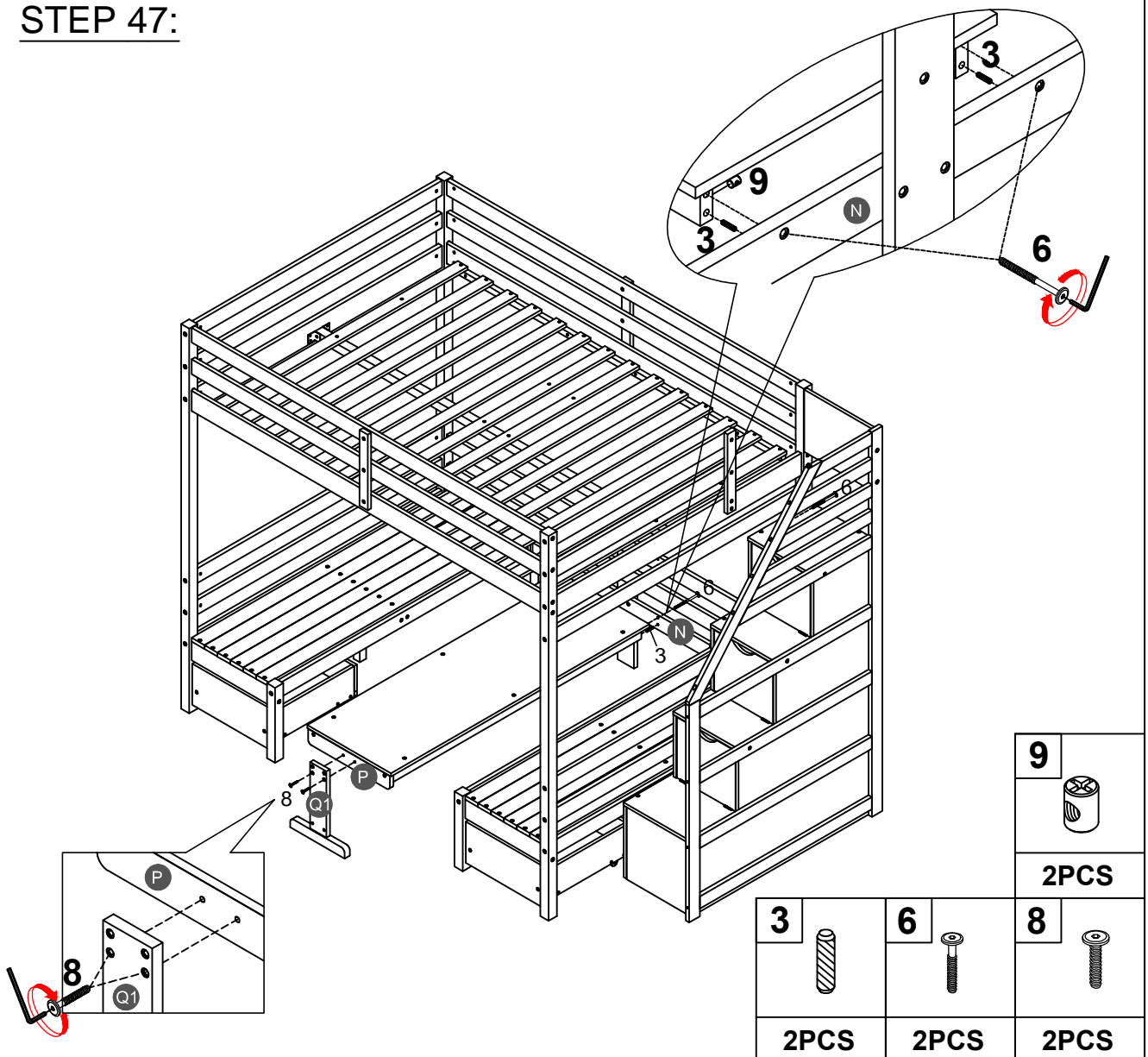
STEP 45:







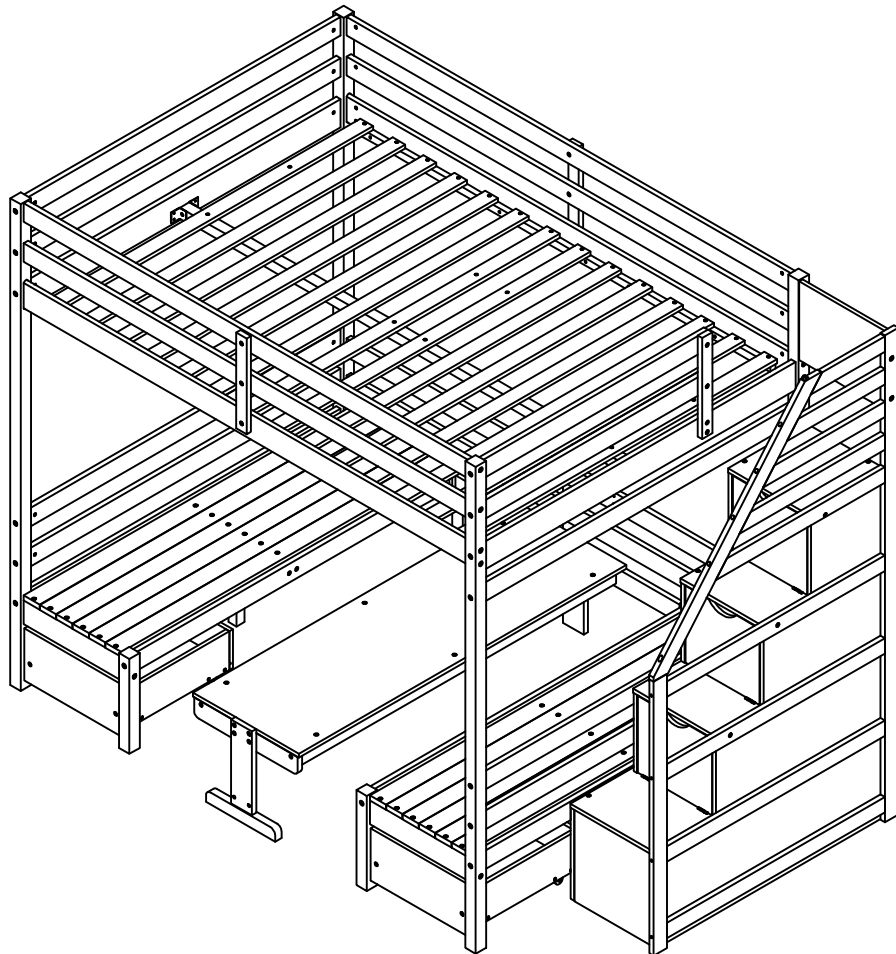
STEP 46:



STEP 47:



<p>3</p> 	<p>6</p> 	<p>8</p> 
<p>2PCS</p>	<p>2PCS</p>	<p>2PCS</p>
<p>9</p> 		
<p>2PCS</p>		



Make sure to tighten all the screws of the bed.