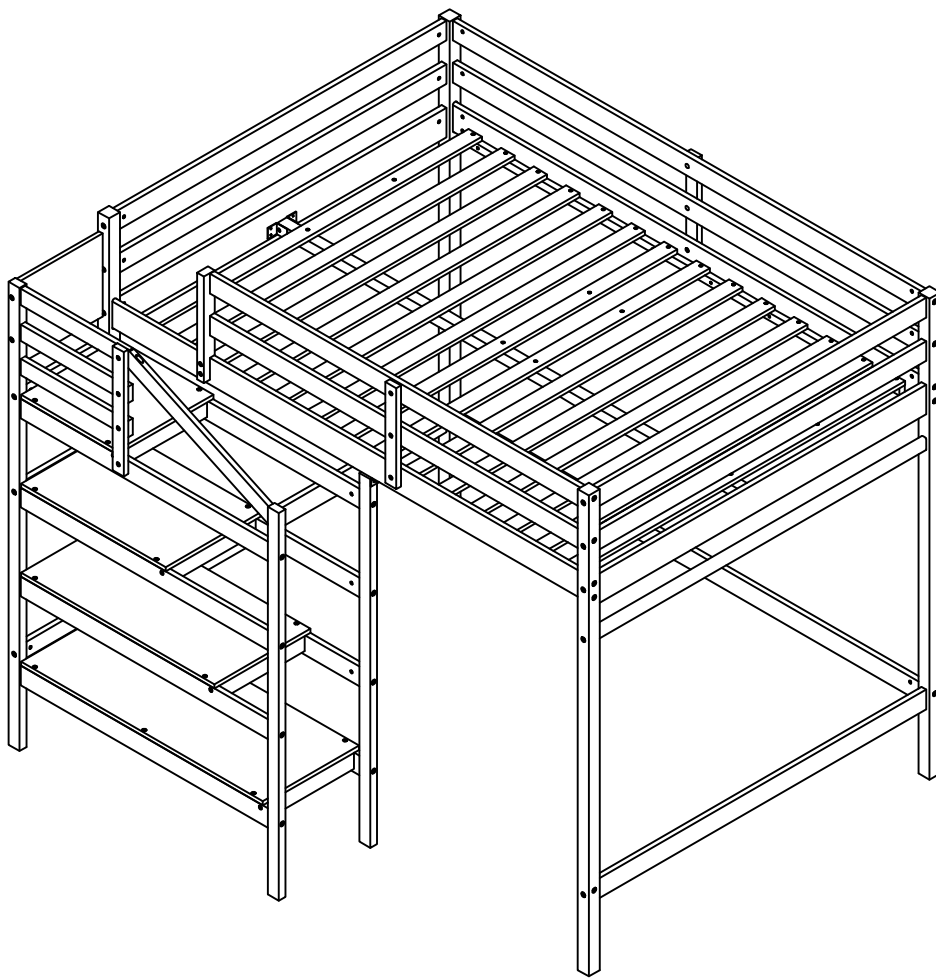


# ASSEMBLY INSTRUCTIONS

## FULL LOFT BED WITH BOOKSHELF



**WF310887/WF310888**

## SAFETY WARNINGS AND GENERAL NOTES:

Follow the information on the warnings on the loft bed end structure and on the carton. Do not remove the warning label from the bed. Always use the recommended size mattress on mattress support, or both, to help prevent the likelihood of entrapment or falls.

The top surface of the mattress must be at least 5\*inch (127mm) below the upper edge of the guardrail.

Do not allow children under 6 years of age to use the upper bunk.

Periodically check and ensure the guardrail, ladder and other components are in their proper position, free from damage, and all connectors are tight.

Do not allow horseplay on or under beds.

Always prohibit jumping on the bed.

Prohibit more than one person on upper bunk.

Always use the ladder for entering and leaving the upper bunk.

Do not use substitute parts. Contact the manufacturer or dealer for replacement parts.

Use of a night-light may provide added safety precaution for a child using the upper bunk.

Always use guardrails on both long sides of the upper bunk.

If the loft bed will be placed next to a wall, the guardrail that runs the full length of the bed should be placed against the wall to prevent entrapment between the bed and the wall.

The use of water or sleep flotation mattresses is prohibited.

**STRANGULATION HAZARD**-Never attach or hang items to any part of the loft bed that are not designed for use with the bed.

Keep these instructions for future reference.

We recommend assembling your loft bed on the shipping carton to protect your floor or carpet.

Be certain all staples are out of the box before beginning assembly on the shipping carton.

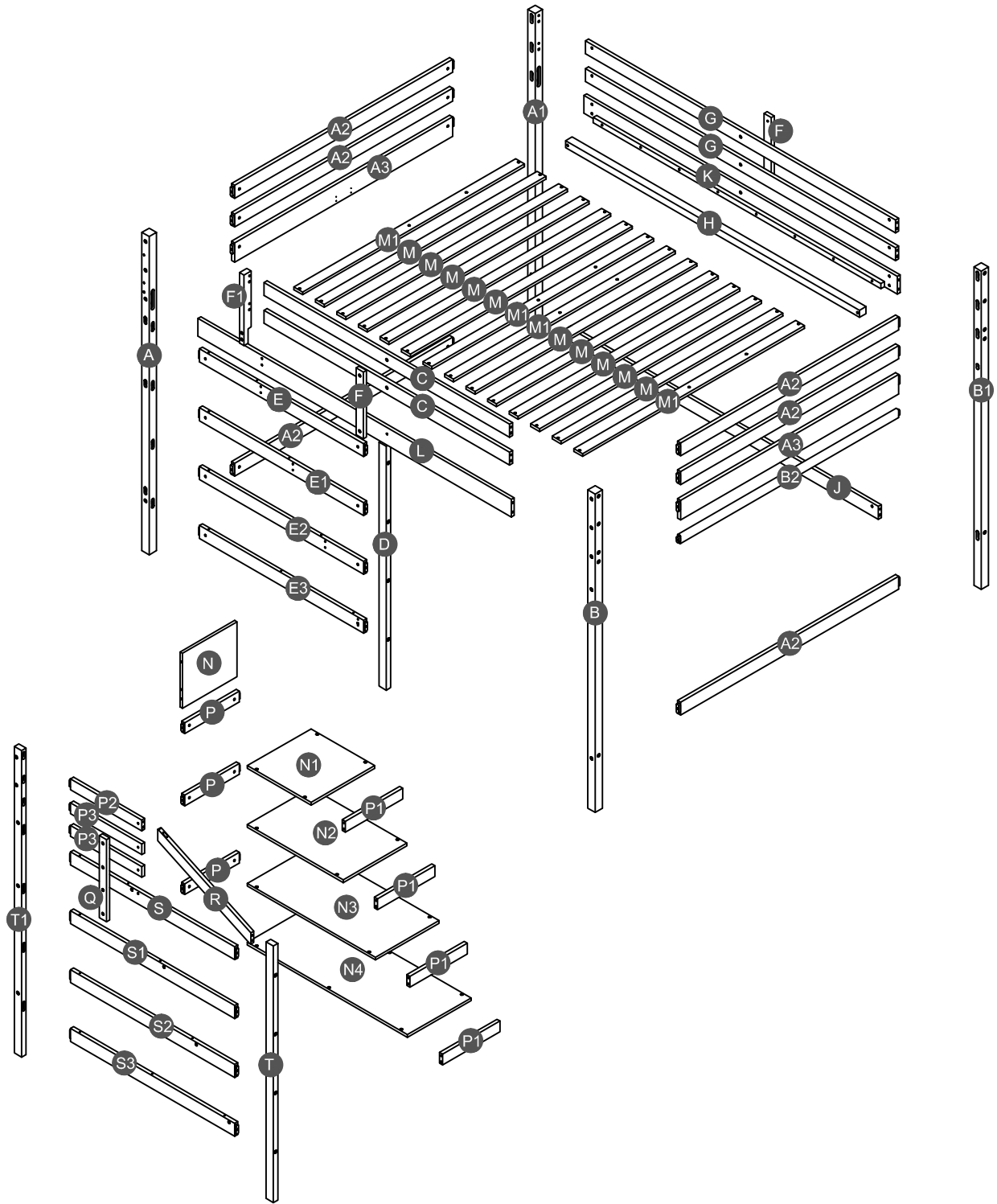
**USE ONLY MATTRESSES WHICH ARE 74"-75" LONG AND 54" WIDE ON UPPER. ENSURE THICKNESS OF MATTRESS DOES NOT EXCEED 6".**

**SURFACE OF MATTRESS MUST BE AT LEAST 5" (127MM) BELOW THE UPPER EDGE OF GUARDRAILS.**

Replacement Parts:

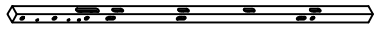
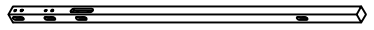
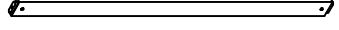
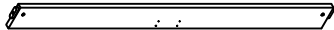
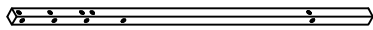

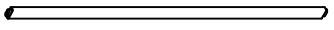
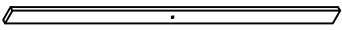




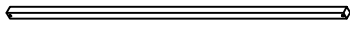
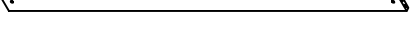


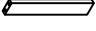
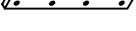
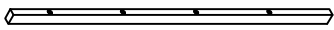
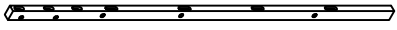
Replacement Parts, including additional guardrails, may be obtained from any of our (GIGACLOUD TECHNOLOGY (USA) INC. 18961 ARENTH AVENUE, CITY OF INDUSTRY , CA, 91748.) dealers

# Detail View



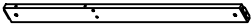
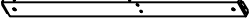
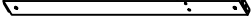

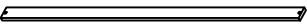

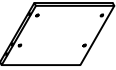
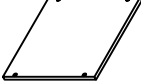



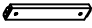
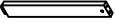
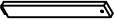

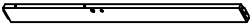

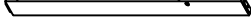
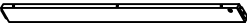
# Part List

WF310887




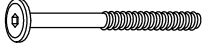
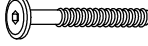








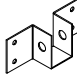
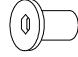
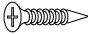
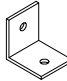
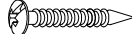

<p><b>A</b></p>  <p>Leg (Left Front) - 1pc</p>	<p><b>A1</b></p>  <p>Leg (Left Back) - 1pc</p>	<p><b>A2</b></p>  <p>Horizontal bar HB/FB - 6pcs</p>
<p><b>A3</b></p>  <p>Horizontal bar HB/FB - 2pcs</p>	<p><b>B</b></p>  <p>Leg (Right Front) - 1pc</p>	<p><b>B1</b></p>  <p>Leg (Right Back) - 1pc</p>
<p><b>B2</b></p>  <p>Horizontal bar HB - 1pc</p>	<p><b>C</b></p>  <p>Short guard rail (Front) - 2pcs</p>	<p><b>D</b></p>  <p>Short Leg (Front) - 1pc</p>
<p><b>F</b></p>  <p>Vertical guard rail - 2pcs</p>	<p><b>F1</b></p>  <p>Vertical guard rail (Left) - 1pc</p>	<p><b>G</b></p>  <p>Long guard rail (Back) - 2pcs</p>
<p><b>H</b></p>  <p>Lower support slat - 1pc</p>	<p><b>J</b></p>  <p>Lower long guard rail (Back) - 1pc</p>	<p><b>K</b></p>  <p>Side rail (Back) - 1pc</p>
<p><b>L</b></p>  <p>Side rail (Front) - 1pc</p>	<p><b>P1</b></p>  <p>Horizontal bar (Right) - 4pcs</p>	<p><b>Q</b></p>  <p>Vertical guard rail (Front) - 1pc</p>
<p><b>T</b></p>  <p>Short Leg (Right Front) - 1pc</p>	<p><b>T1</b></p>  <p>Leg (Left Front) - 1pc</p>	

# Part List

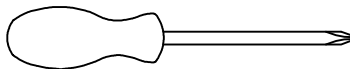
## WF310888 + Hardware inside

<p><b>E</b></p>  <p>Upper horizontal bar (Front) - 1pc</p>	<p><b>E1</b></p>  <p>Divider horizontal bar (Front) - 1pc</p>	<p><b>E2</b></p>  <p>Divider horizontal bar (Front) - 1pc</p>
<p><b>E3</b></p>  <p>Lower horizontal bar (Front) - 1pc</p>	<p><b>M</b></p>  <p>Slat - 10pcs</p>	<p><b>M1</b></p>  <p>Slat - 4pcs</p>
<p><b>N</b></p>  <p>Back panel - 1pc</p>	<p><b>N1</b></p>  <p>Upper step ladder panel - 1pc</p>	<p><b>N2</b></p>  <p>Upper center step ladder panel - 1pc</p>
<p><b>N3</b></p>  <p>Lower center step ladder panel - 1pc</p>	<p><b>N4</b></p>  <p>Lower step ladder panel - 1pc</p>	<p><b>P</b></p>  <p>Horizontal bar (Left) - 3pcs</p>
<p><b>P2</b></p>  <p>Upper horizontal bar (Front) - 1pc</p>	<p><b>P3</b></p>  <p>Upper horizontal bar (Front) - 2pcs</p>	<p><b>R</b></p>  <p>Upper horizontal bar (Front) - 1pc</p>
<p><b>S</b></p>  <p>Upper horizontal bar (Front) - 1pc</p>	<p><b>S1</b></p>  <p>Divider horizontal bar (Front) - 1pc</p>	<p><b>S2</b></p>  <p>Divider horizontal bar (Front) - 1pc</p>
<p><b>S3</b></p>  <p>Lower horizontal bar (Front) - 1pc</p>		

## Hardware List WF310888



<b>1</b>  Ø10*40mm Wood dowel (10pcs)	<b>2</b>  Ø8*30mm Wood dowel (12pcs)	<b>3</b>  (Ø15)1/4"*100mm Hex-Head bolts (16pcs)
<b>4</b>  (Ø15)1/4"*80mm Hex-Head bolts (44pcs)	<b>5</b>  (Ø12)1/4"*70mm Hex-Head bolts (5pcs)	<b>6</b>  (Ø12)1/4"*60mm Hex-Head bolts (8pcs)
<b>7</b>  (Ø12)1/4"*40mm Hex-Head bolts (2pcs)	<b>8</b>  (Ø12)1/4"*35mm Hex-Head bolts (2pcs)	<b>9</b>  (Ø12)1/4"*30mm Hex-Head bolts (10pcs)
<b>10</b>  1/4"*15 (9.5mm) Horizontal-Hole bolts (73pcs)	<b>11</b>  (Ø12)1/4"*40mm Wood screw bolts (20pcs)	<b>12</b>  (1/4")4.5*58mm Allen key (2pcs)
<b>13</b>  Ø4*30mm Wood screws (34pcs)	<b>14</b>  116*40*27mm Metal bracket (2pcs)	<b>15</b>  (Ø13)1/4"*14mm Connect bolt (2pcs)
<b>16</b>  Ø3.5*15mm Wood screws (10pcs)	<b>17</b>  24*28*28*2mm Metal bracket (3pcs)	<b>18</b>  Ø4*38mm Wood screws (2pcs)
<b>19</b>  Ø9*32mm Plastic anchor (2pcs)		

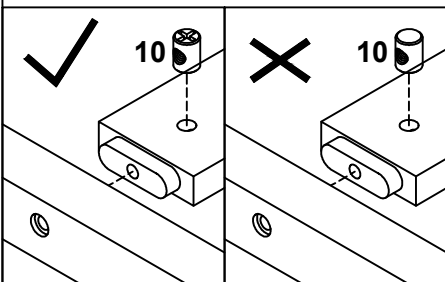
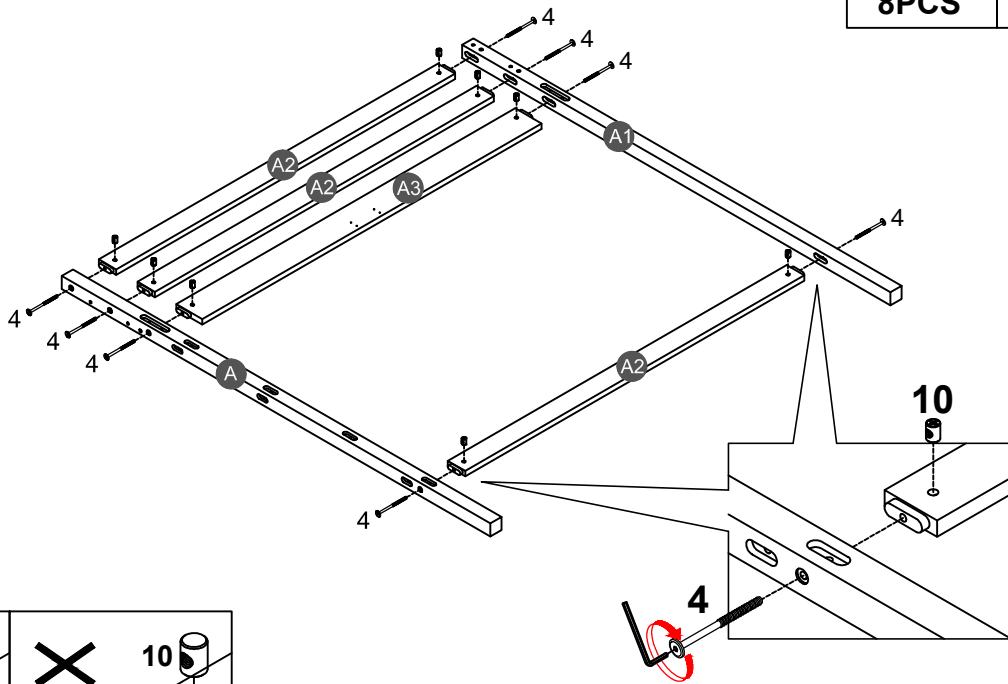
### ASSEMBLY TOOLS REQUIRED ( NOT INCLUDED )



PLEASE BE CAREFUL DO NOT DAMAGE THE HOLE POSITION WHEN YOU USE POWER TOOLS !

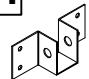

**STEP 1:**

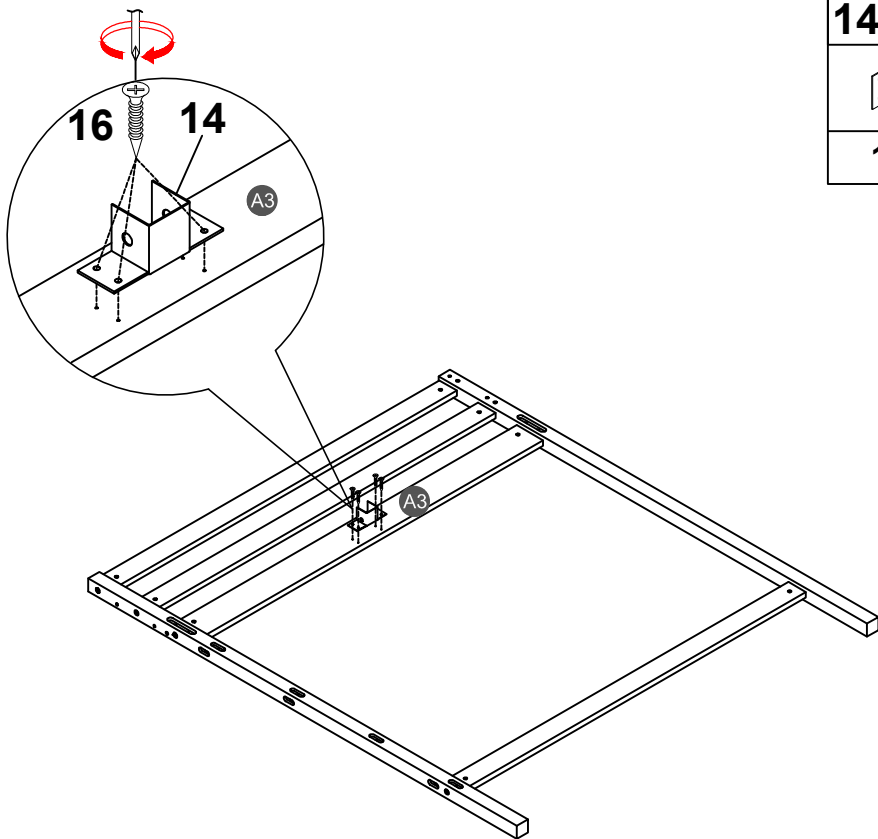
<b>4</b>		<b>10</b>	
<b>8PCS</b>		<b>8PCS</b>	





Note: Part 10 will face up with the "x" mark on it, otherwise it cannot be tightened

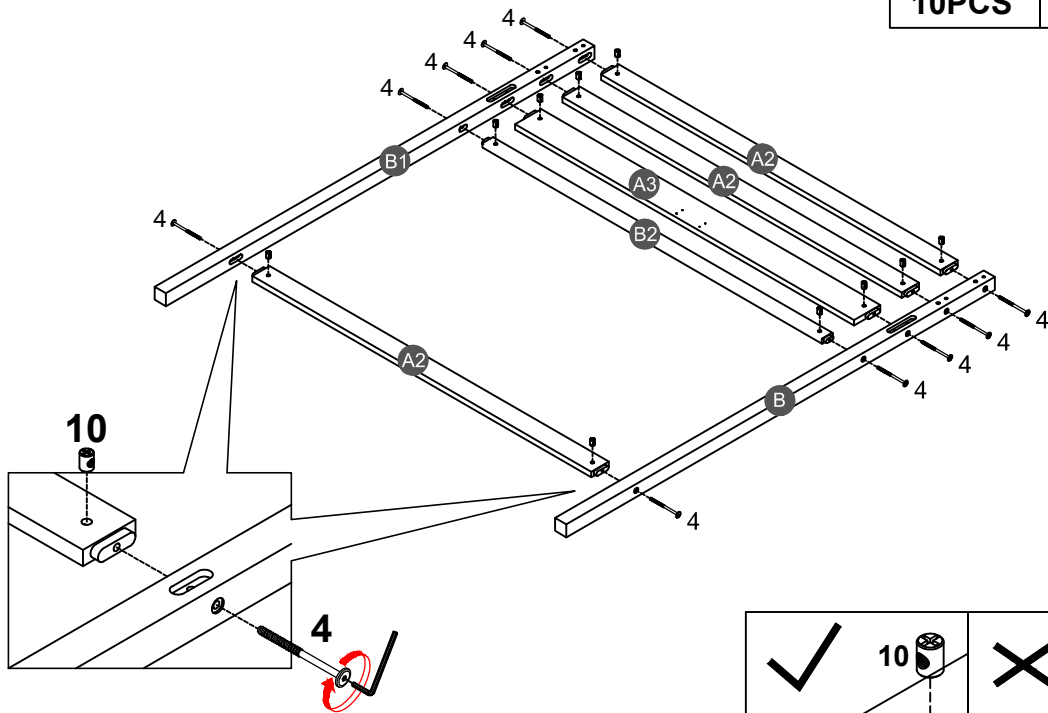
**STEP 2:**

<b>14</b>		<b>16</b>	
<b>1PC</b>		<b>4PCS</b>	

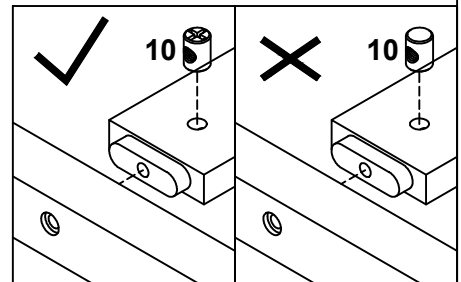


### STEP 3:

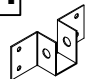

<b>4</b>		<b>10</b>	
<b>10PCS</b>		<b>10PCS</b>	

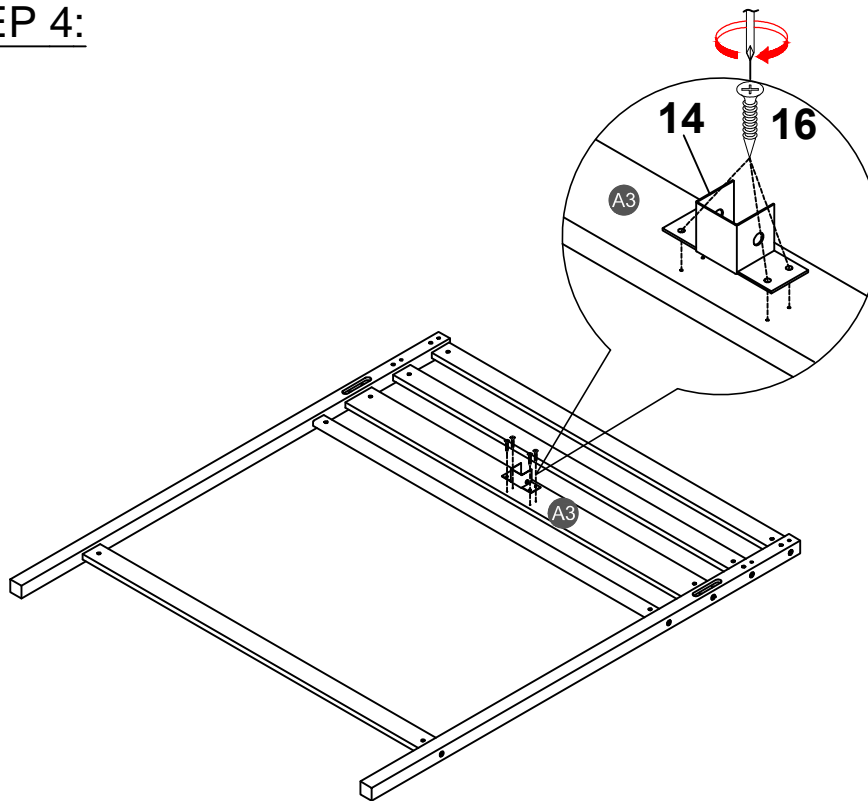


Note: Part 10 will face up with the "x" mark on it, otherwise it cannot be tightened



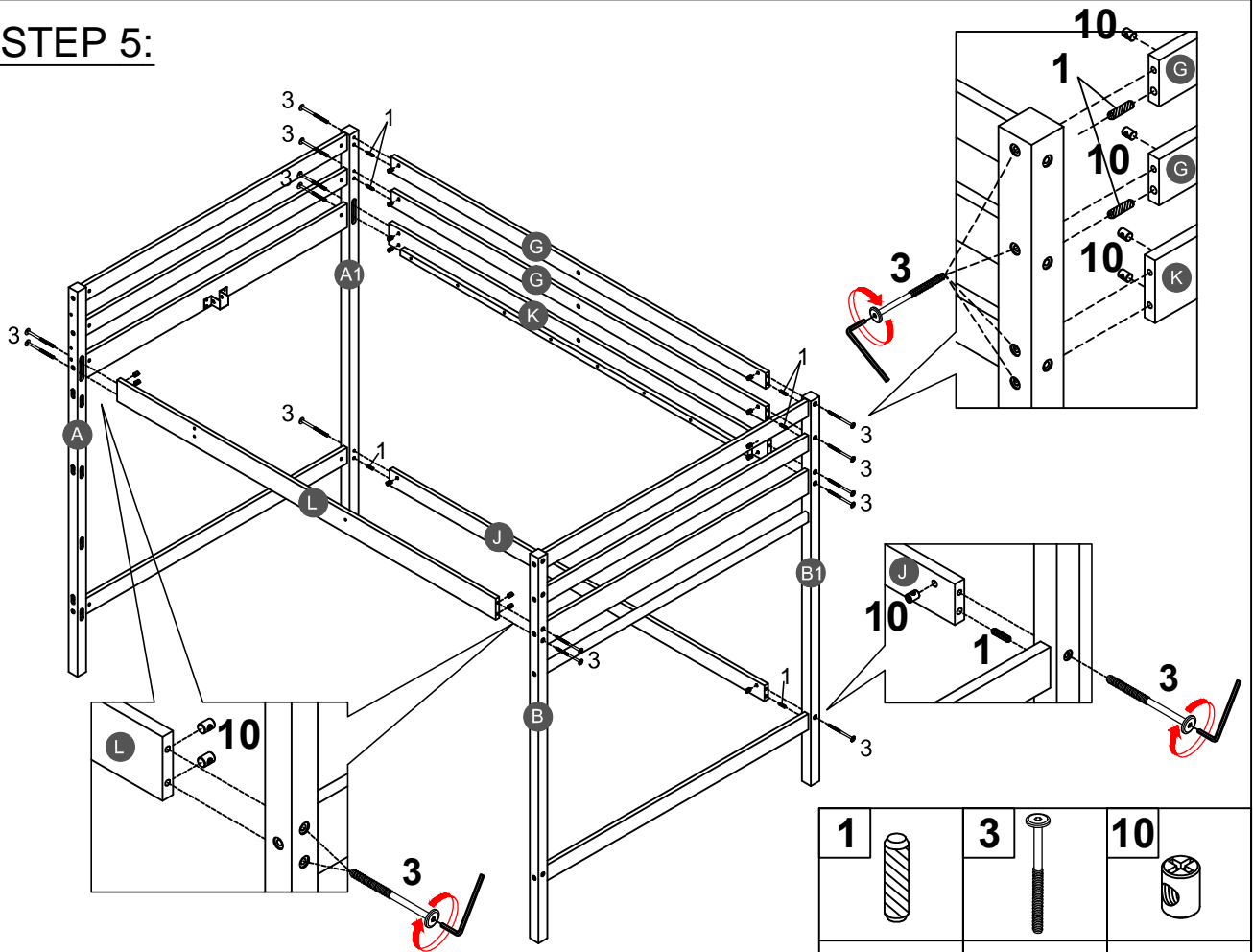
### STEP 4:

<b>14</b>		<b>16</b>	
<b>1PC</b>		<b>4PCS</b>	



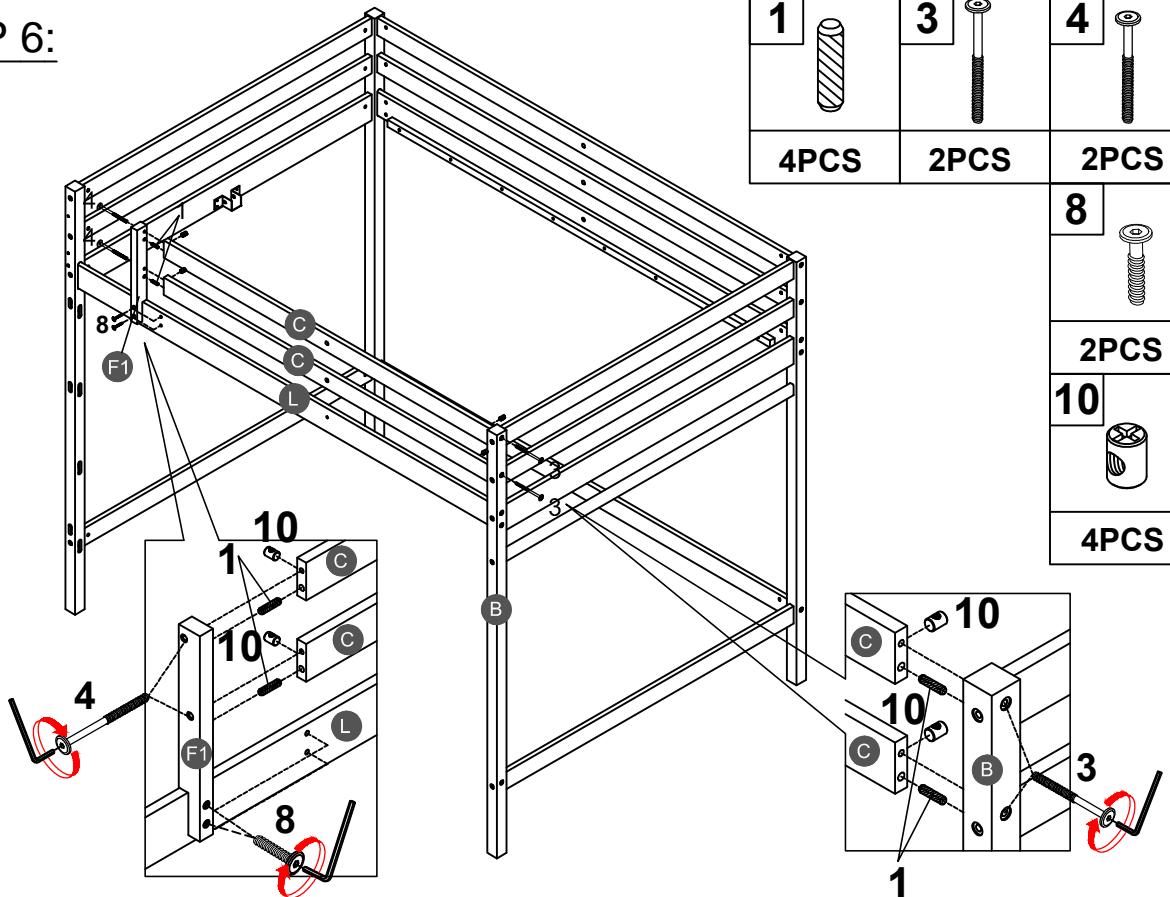


### STEP 5:

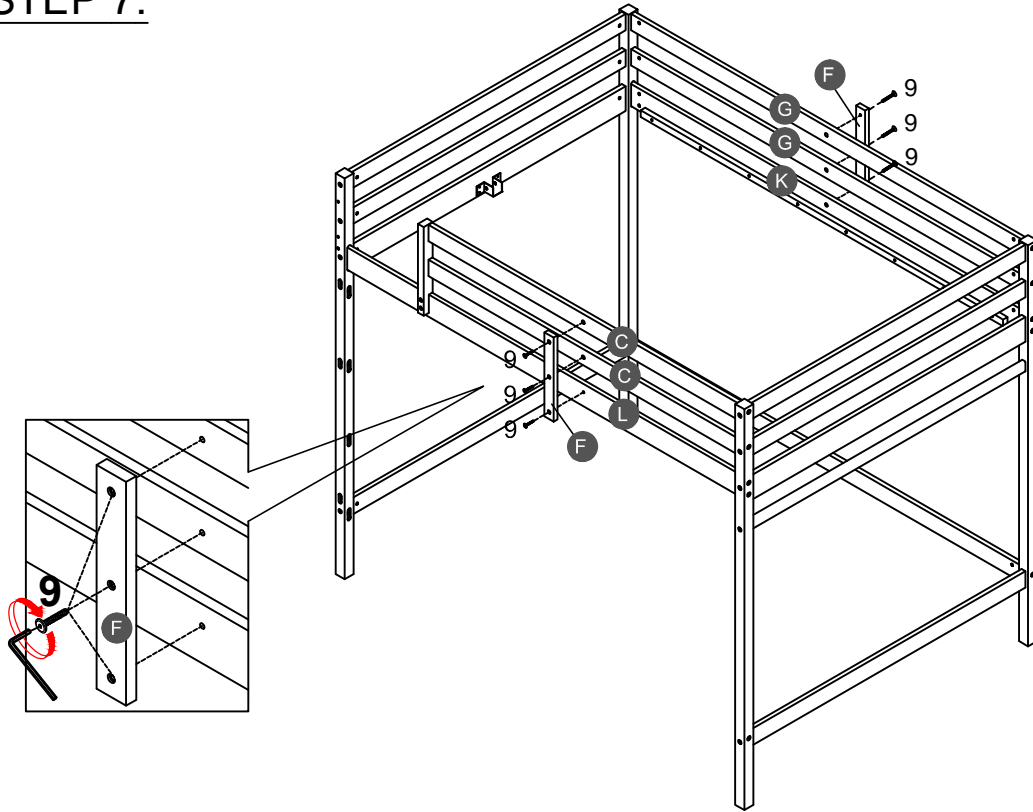


1	3	10
6PCS	14PCS	14PCS
1	3	4
4PCS	2PCS	2PCS
		8
		2PCS
		10
		4PCS

### STEP 6:



**STEP 7:**

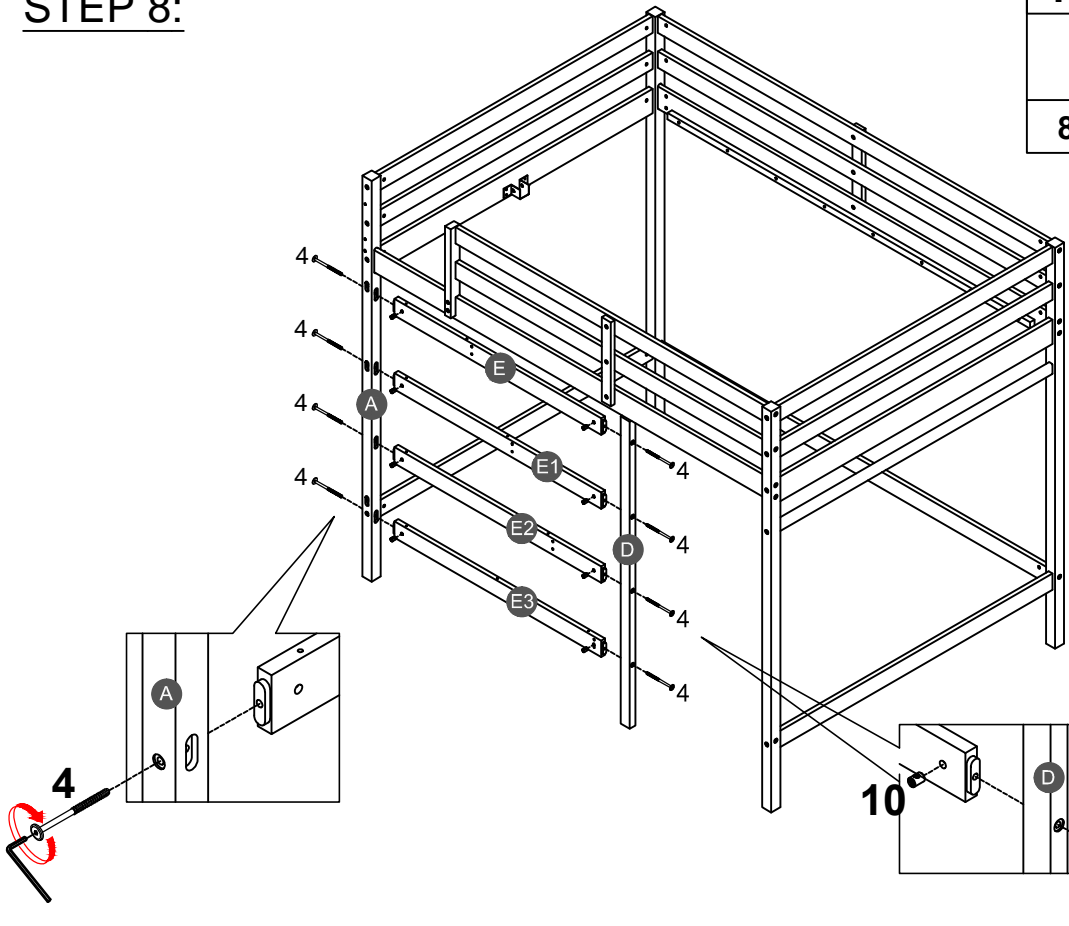


**9**



**6PCS**

**STEP 8:**



**4**




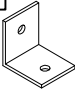
**8PCS**

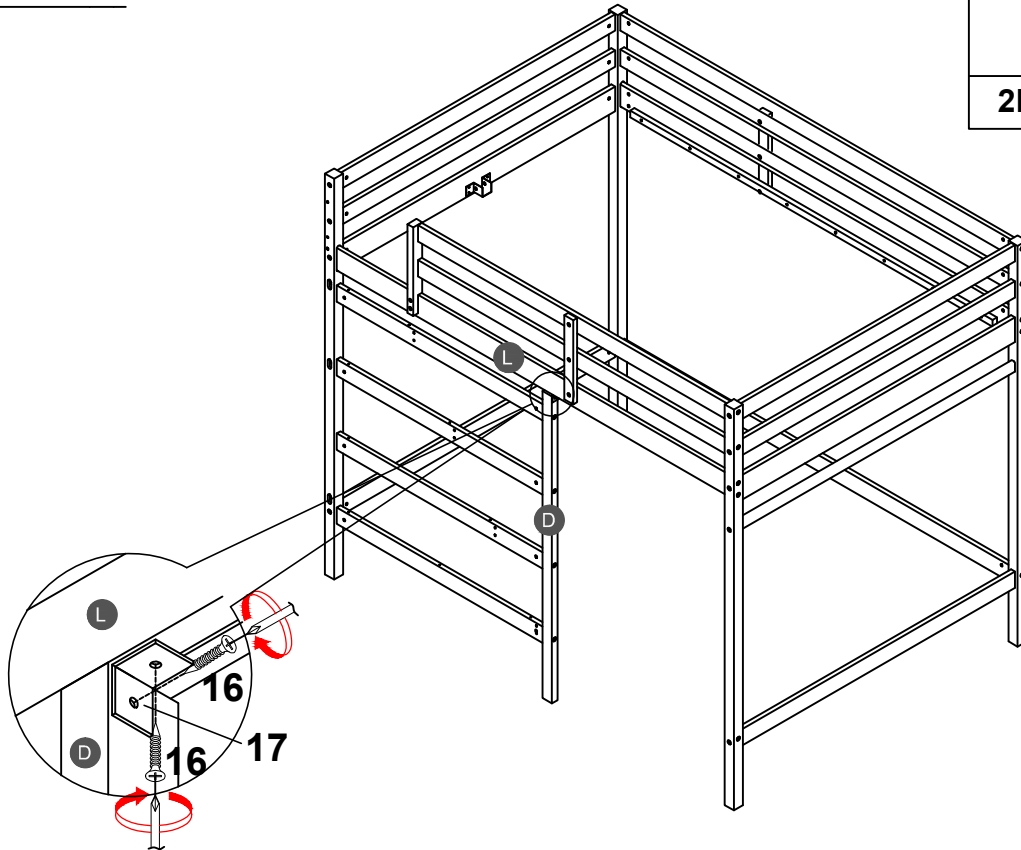
**10**






**8PCS**

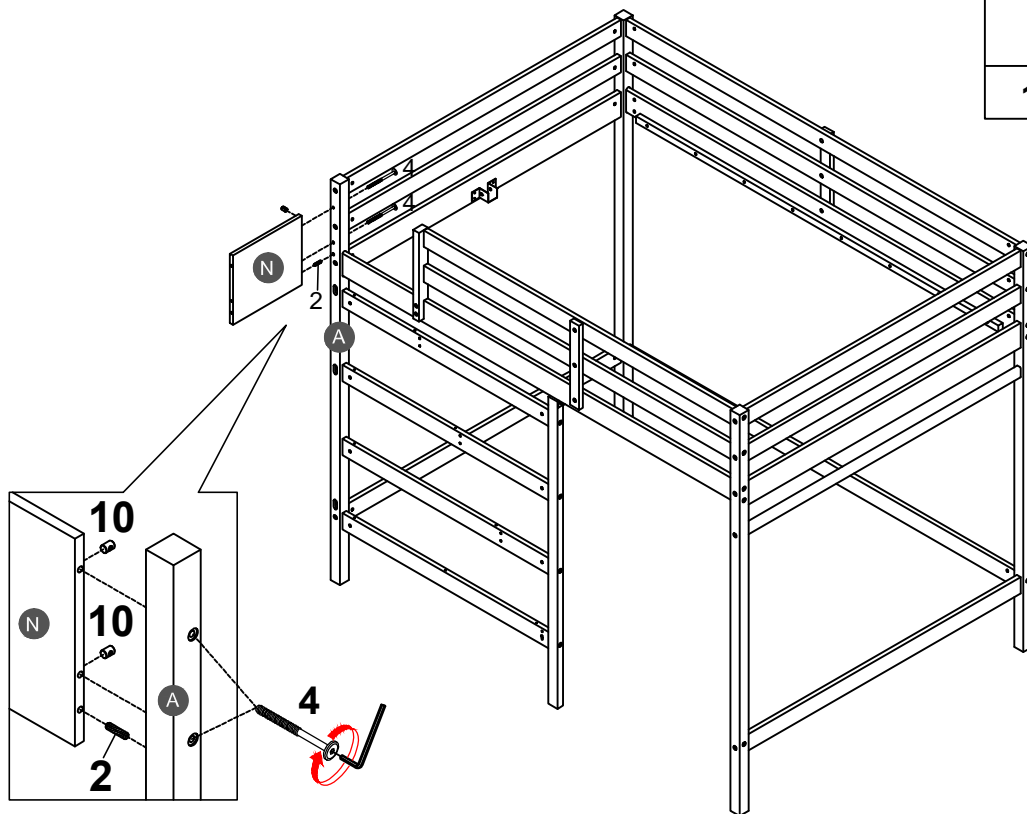
**STEP 9:**

<b>16</b>		<b>17</b>	
<b>2PCS</b>		<b>1PC</b>	





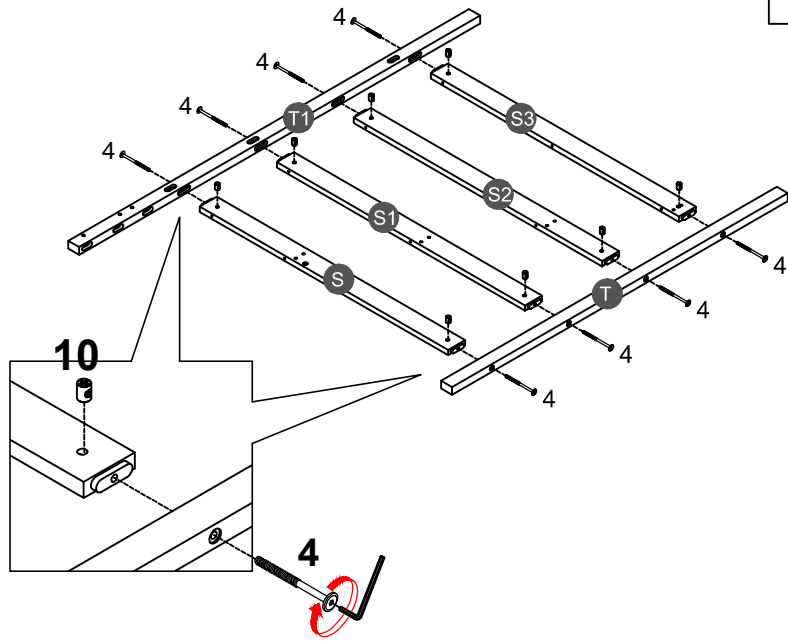
**STEP 10:**

<b>2</b>		<b>4</b>	
<b>1PC</b>		<b>2PCS</b>	
		<b>10</b>	
		<b>2PCS</b>	

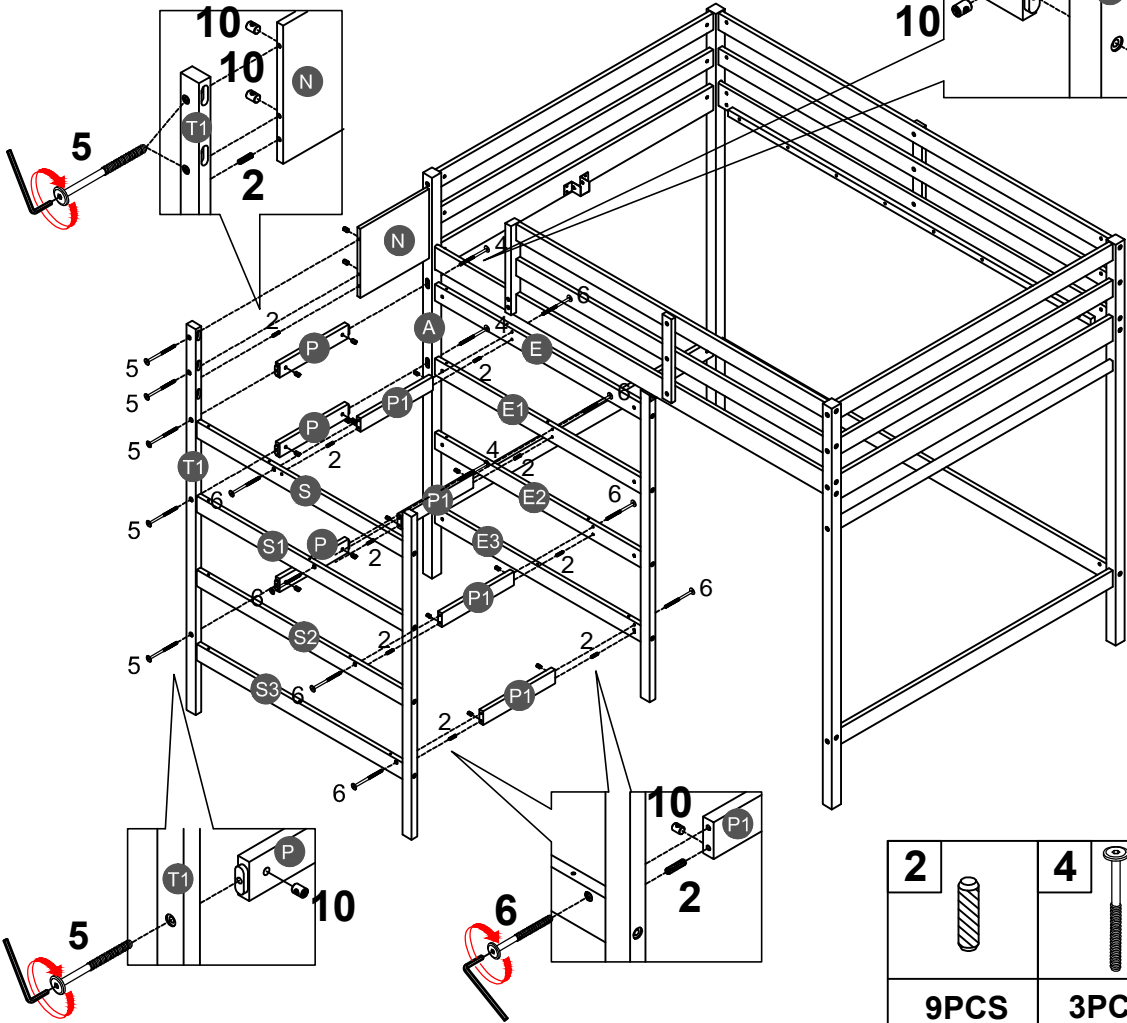
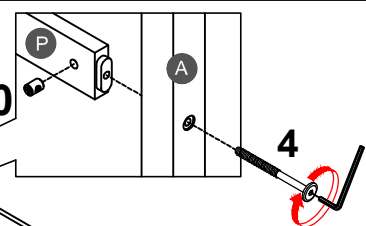



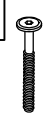


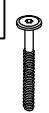
# STEP 11:

4		10	
8PCS		8PCS	

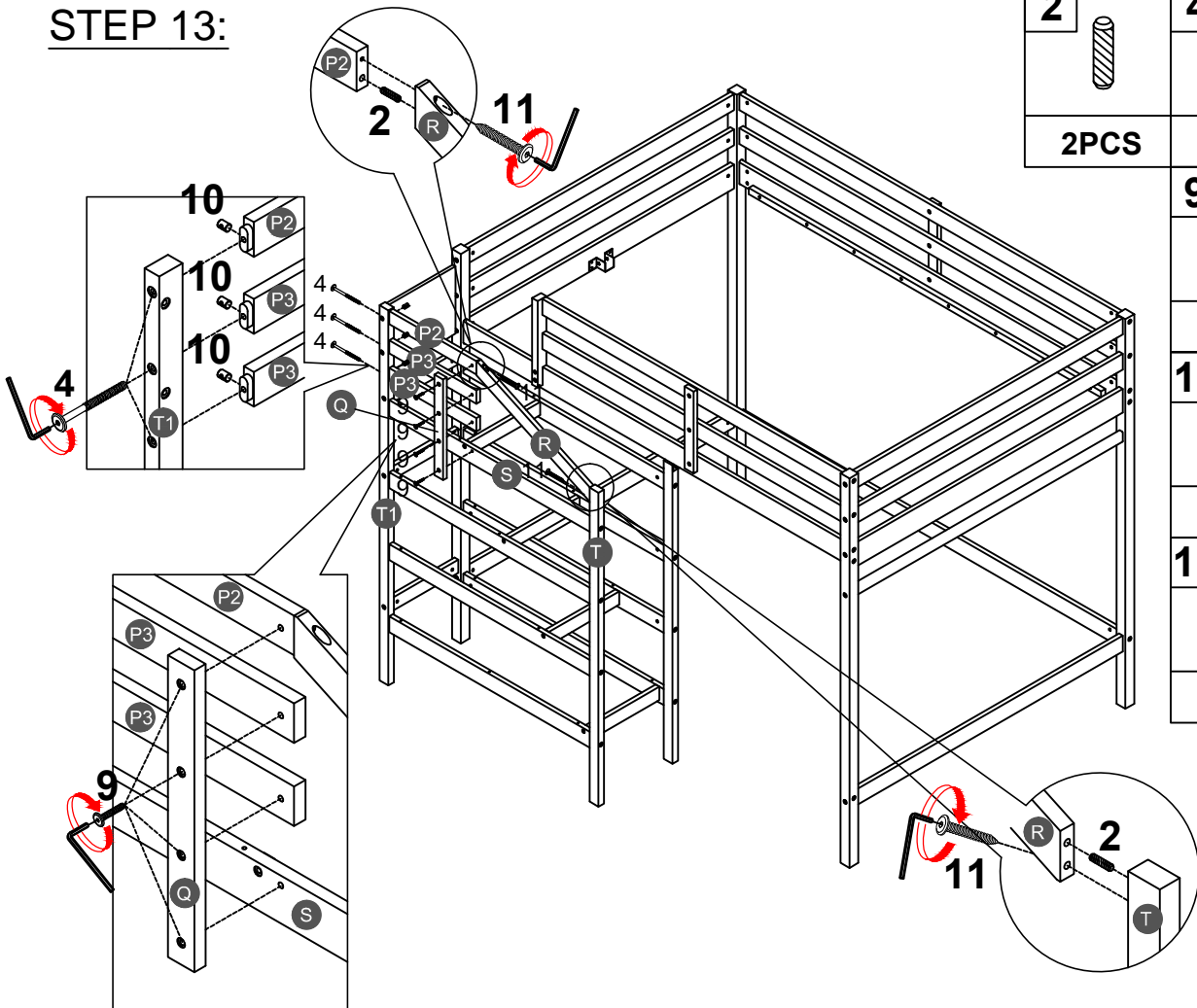


# STEP 12:



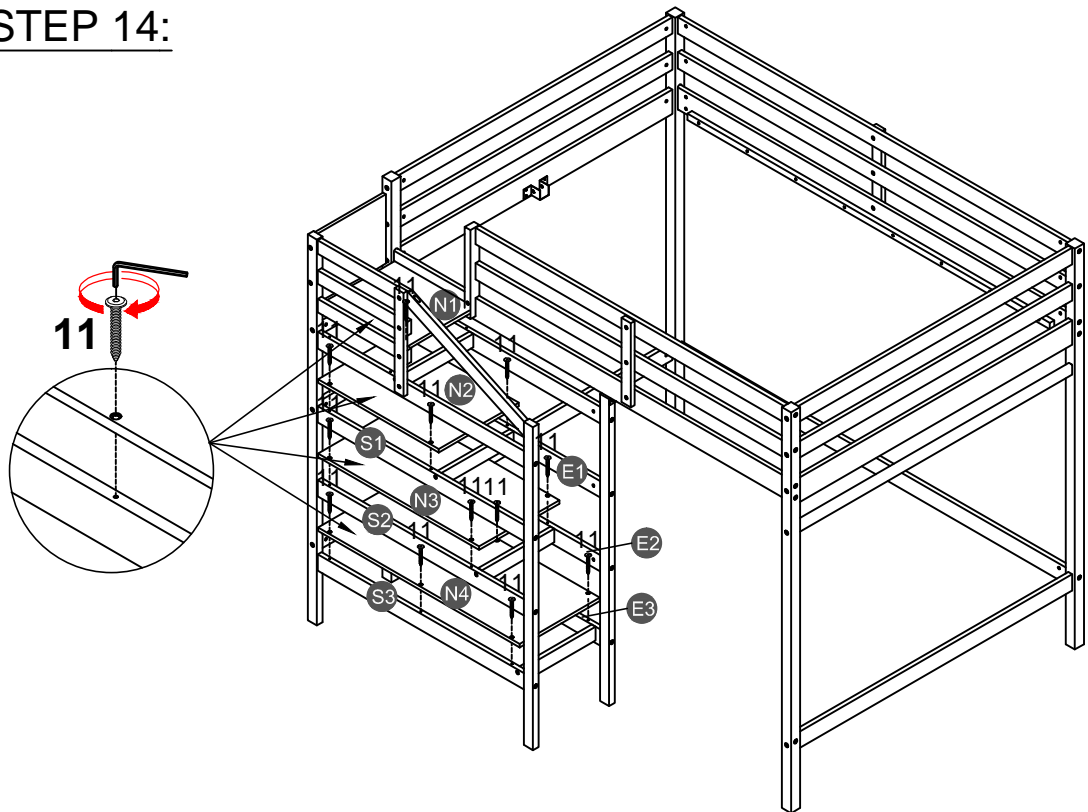
10		16PCS
6		8PCS
2		9PCS
4		3PCS
5		5PCS

**STEP 13:**



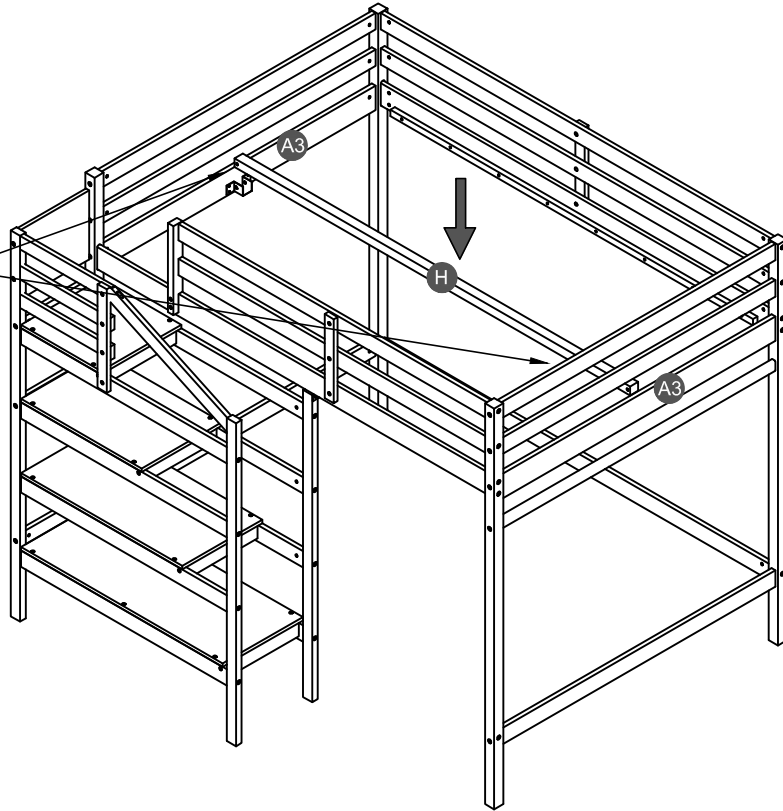
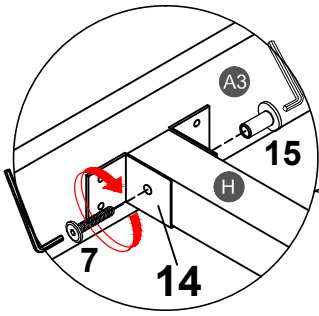
<b>2</b>		<b>4</b>	
<b>2PCS</b>		<b>3PCS</b>	
<b>9</b>		<b>10</b>	
		<b>4PCS</b>	
<b>11</b>		<b>3PCS</b>	
		<b>2PCS</b>	

**STEP 14:**



<b>11</b>	
<b>18PCS</b>	

**STEP 15:**



7



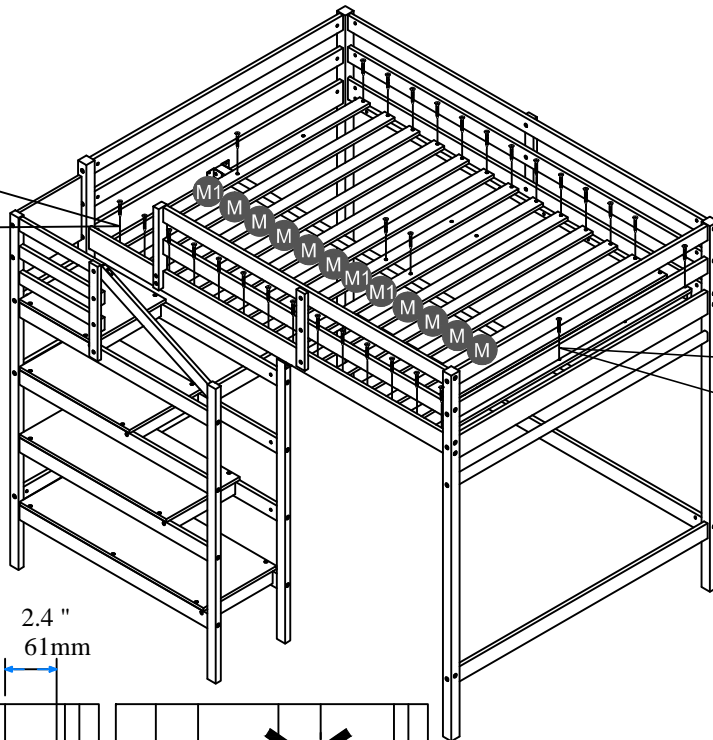
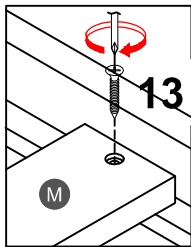
2PCS

15



2PCS

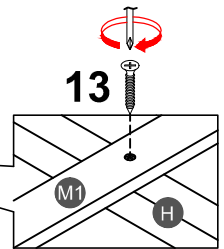
**STEP 16:**



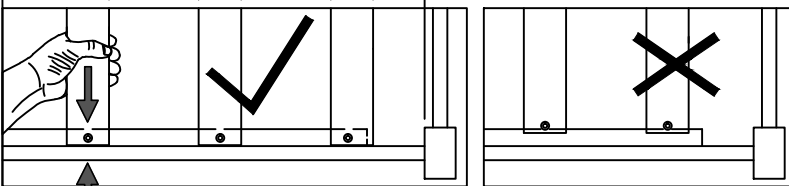
13



32PCS

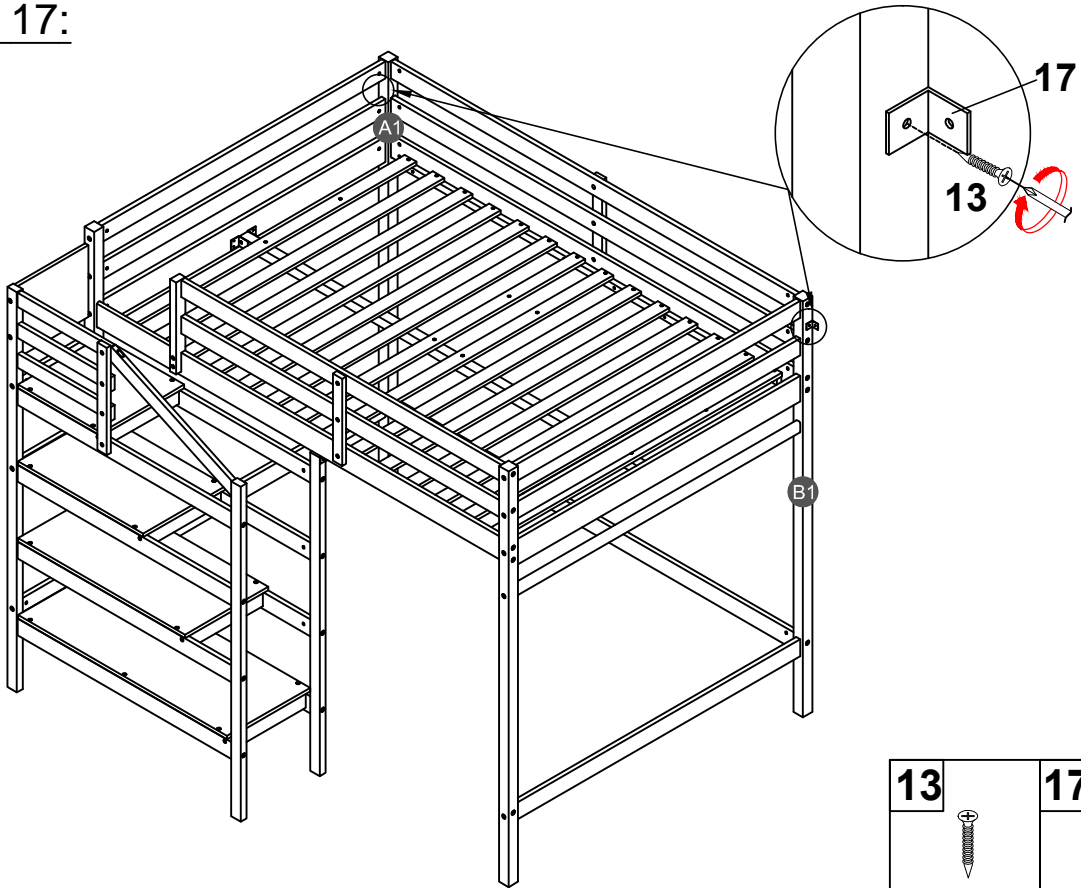



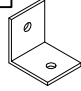
3.1 " 79mm    3.3 " 84.5mm    2.4 " 61mm



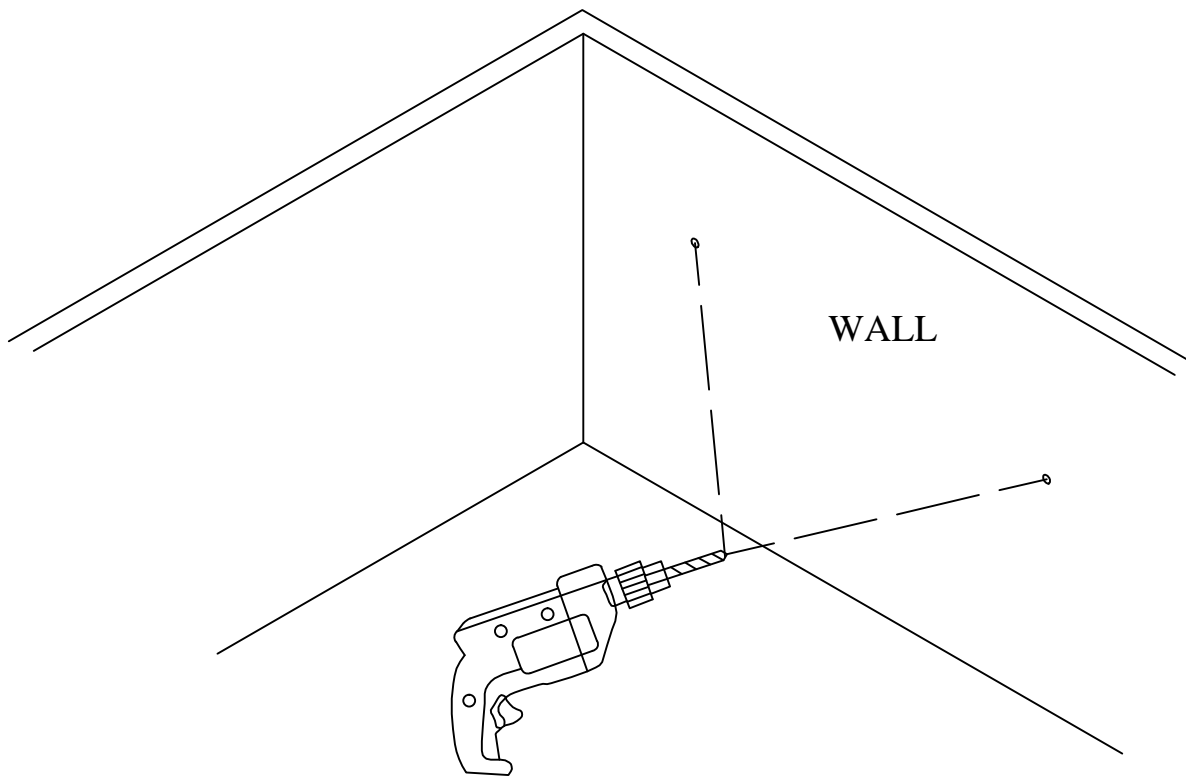
**NOTE:** Please make sure the bed slats close to the side rail before locking the screws to avoid breakage. This step is required for both the left and right sides. Moreover, please do not lock the screws of the bed slats at the outermost edge to avoid damaging.

**STEP 17:**



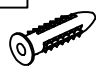
<b>13</b> 	<b>17</b> 
<b>2PCS</b>	<b>2PCS</b>

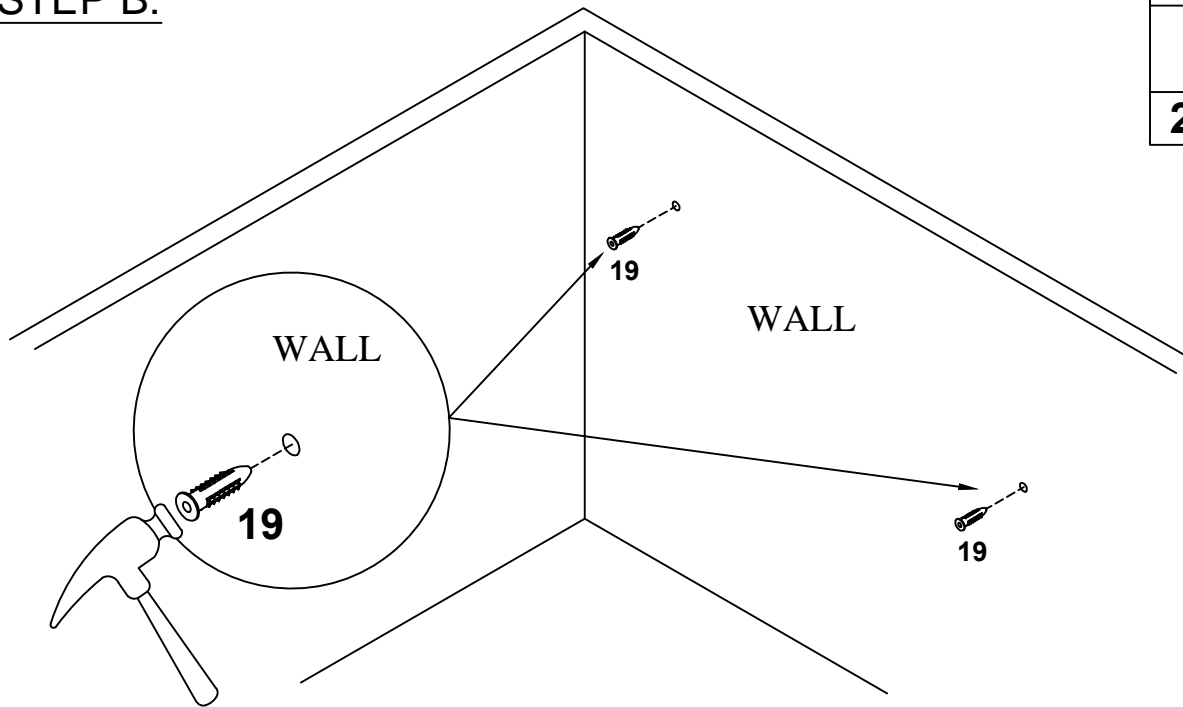
**STEP A:**



**Drill holes in the wall.**


**STEP B:**

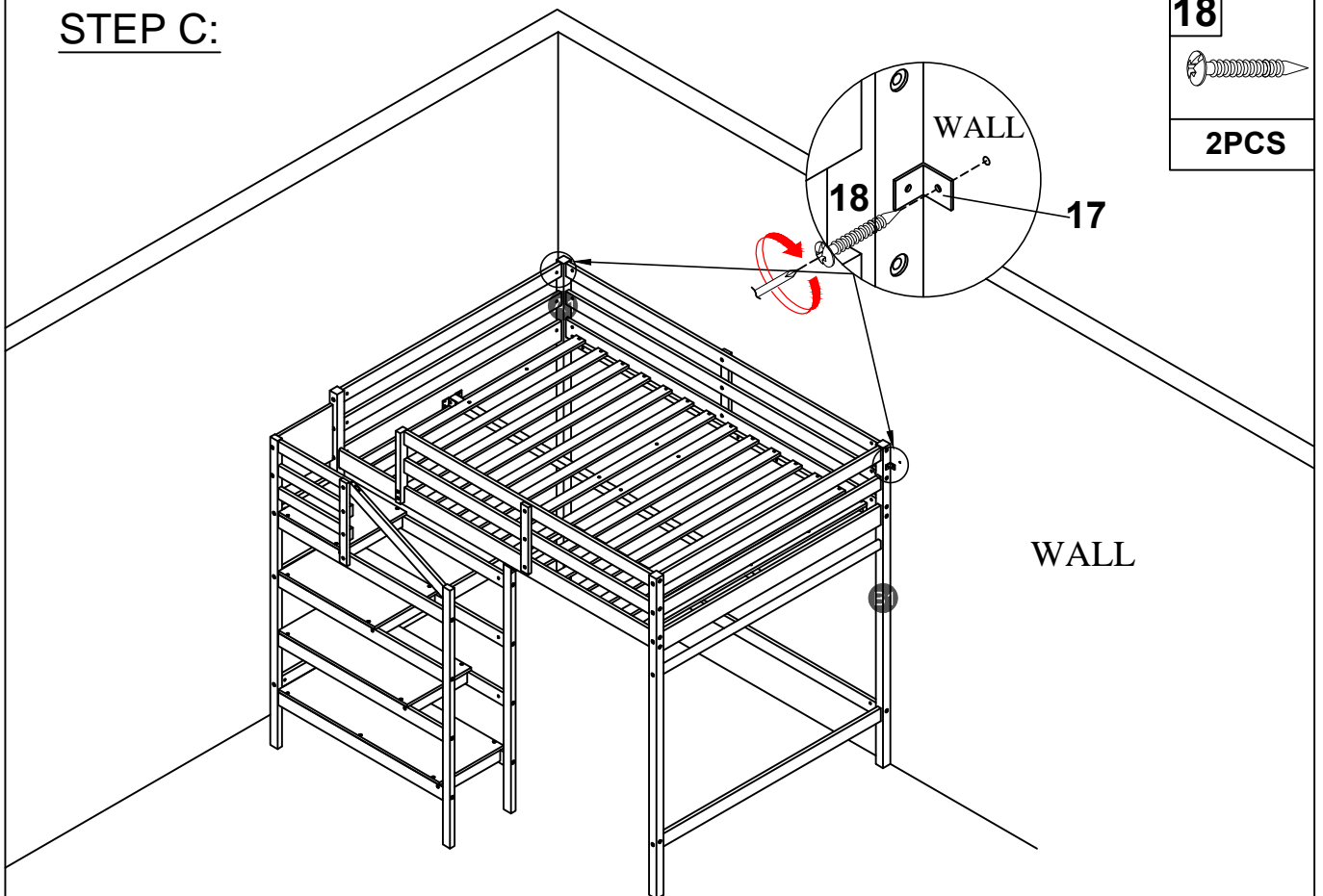
<b>19</b>

<b>2PCS</b>



Tap plastic anchor in with a hammer or mallet.

**STEP C:**

<b>18</b>

<b>2PCS</b>



**Make sure to tighten all the screws of the bed.**