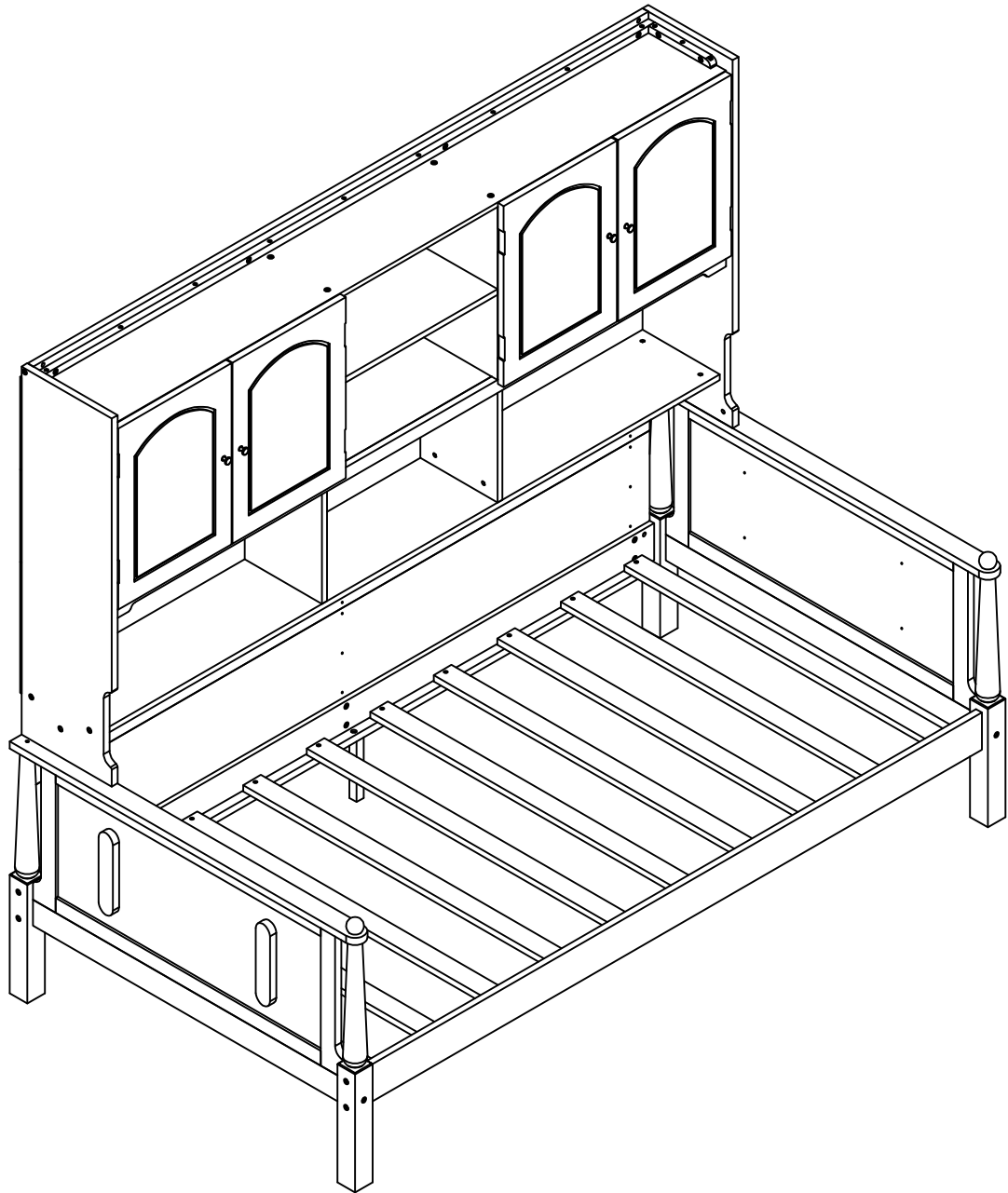
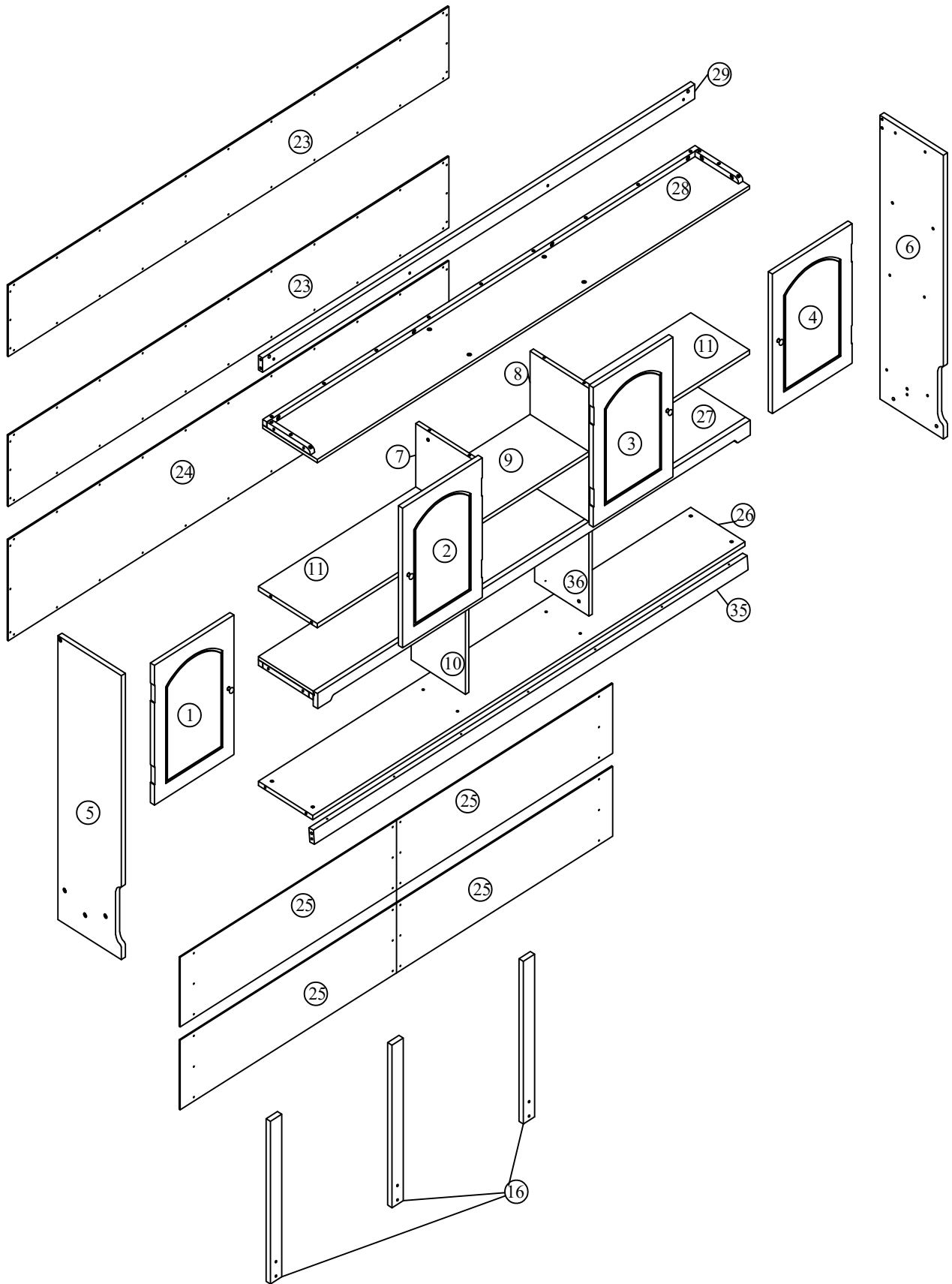


ASSEMBLY INSTRUCTION

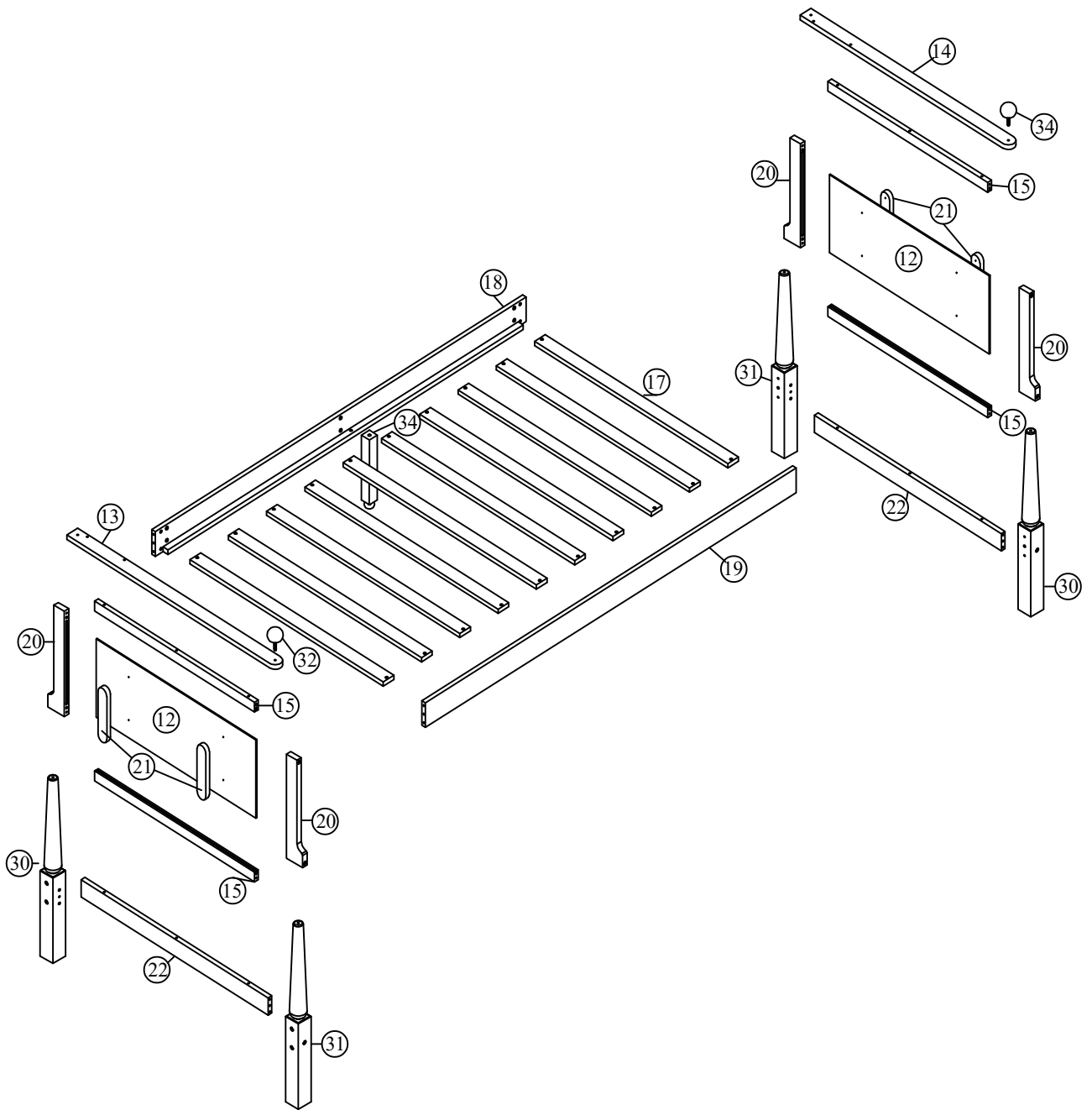
SKU CODE: WF310439 / WF310440



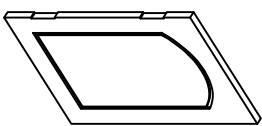
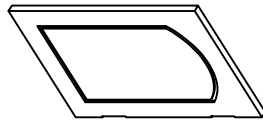
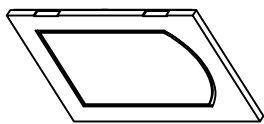
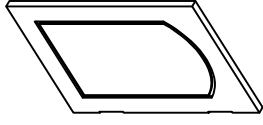
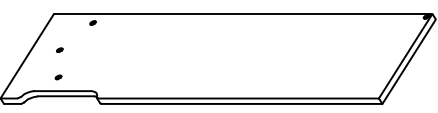
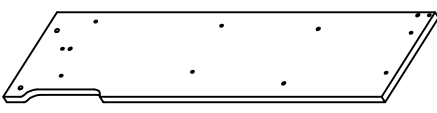

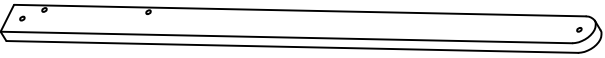
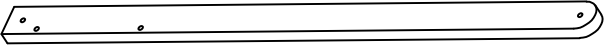
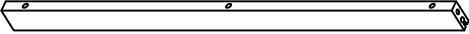

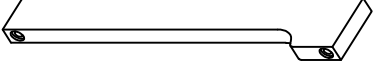
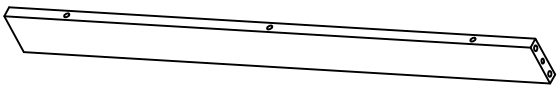

Detail:



Detail:

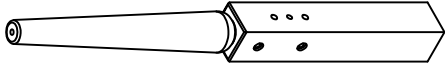


Part List (WF310439)

<p>① x1</p>  <p style="text-align: right;">Door</p>	<p>② x1</p>  <p style="text-align: right;">Door</p>
<p>③ x1</p>  <p style="text-align: right;">Door</p>	<p>④ x1</p>  <p style="text-align: right;">Door</p>
<p>⑤ x1</p>  <p style="text-align: center;">Side Panel</p>	<p>⑥ x1</p>  <p style="text-align: center;">Side Panel</p>
<p>⑫ x2</p>  <p style="text-align: center;">Headboard Panels</p>	<p>⑬ x1</p>  <p style="text-align: center;">Top Crossbar</p>
<p>⑭ x1</p>  <p style="text-align: center;">Top Crossbar</p>	<p>⑮ x4</p>  <p style="text-align: center;">Headboard Bar</p>
<p>⑰ x10</p>  <p style="text-align: center;">Slats</p>	<p>⑳ x4</p>  <p style="text-align: center;">Headboard Bar</p>
<p>㉒ x2</p>  <p style="text-align: center;">Headboard Bar</p>	<p>㉕ x4</p>  <p style="text-align: center;">Back Panel</p>

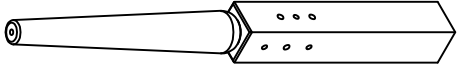
Part List (WF310439)

30 x2



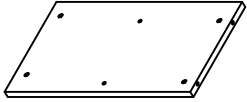
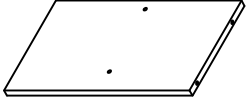
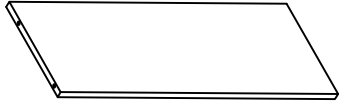
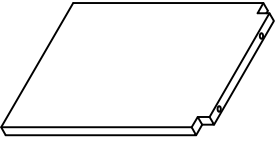
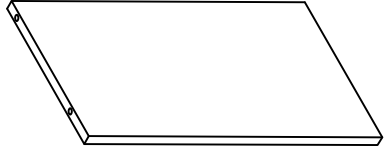
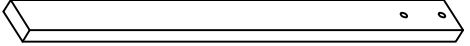


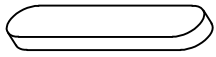
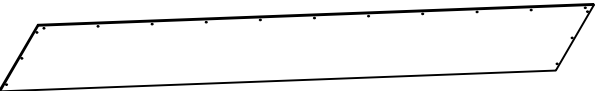
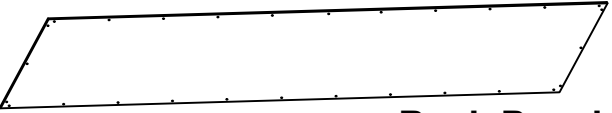

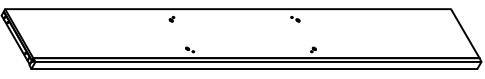
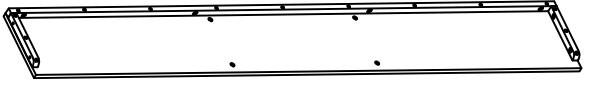
Leg

31 x2



Leg

Part List (WF310440)

<p>⑦ x1</p>  <p style="text-align: center;">Upper Middle Panel</p>	<p>⑧ x1</p>  <p style="text-align: center;">Upper Middle Panel</p>
<p>⑪ x2</p>  <p style="text-align: center;">Shelf</p>	<p>⑩ x1</p>  <p style="text-align: center;">Bottom Middle Panel</p>
<p>⑨ x1</p>  <p style="text-align: center;">Center Panel</p>	<p>⑯ x3</p>  <p style="text-align: center;">Rear Strut</p>
<p>⑱ x1</p>  <p style="text-align: center;">Side Rail</p>	<p>⑲ x1</p>  <p style="text-align: center;">Side Rail</p>
<p>⑳ x4</p>  <p style="text-align: center;">Decorate</p>	<p>㉓ x2</p>  <p style="text-align: center;">Back Panel</p>
<p>㉔ x1</p>  <p style="text-align: center;">Back Panel</p>	<p>㉖ x1</p>  <p style="text-align: center;">Bottom Panel</p>
<p>㉗ x1</p>  <p style="text-align: center;">Middle Panel</p>	<p>㉘ x1</p>  <p style="text-align: center;">Top Panel</p>

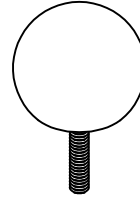
Part List (WF310440)

②9 x2



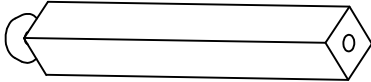
Guard

③2 x2



Decorate

③4 x1



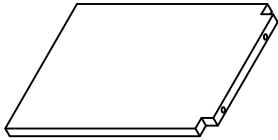
Support Legs

③5 x1



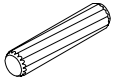

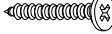


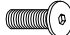







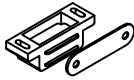



Guard

③6 x1

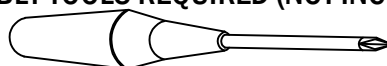


Bottom Middle Panel





Hardware List (WF310440)

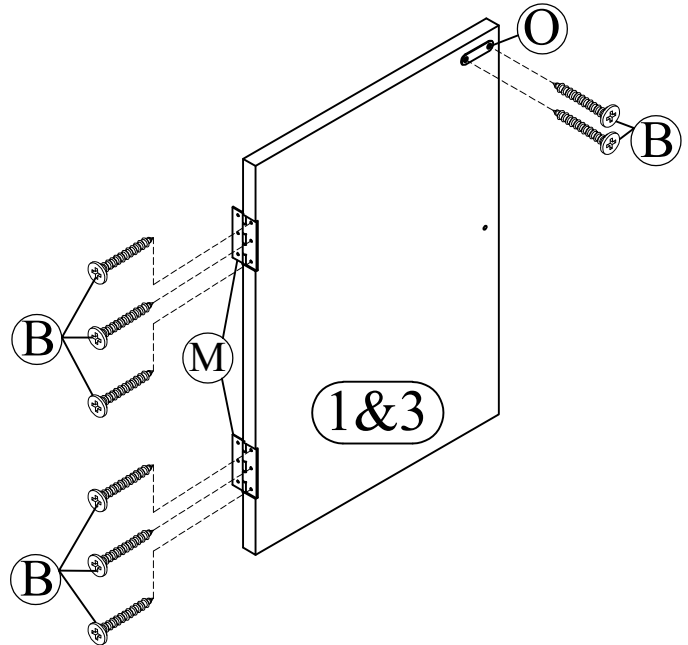
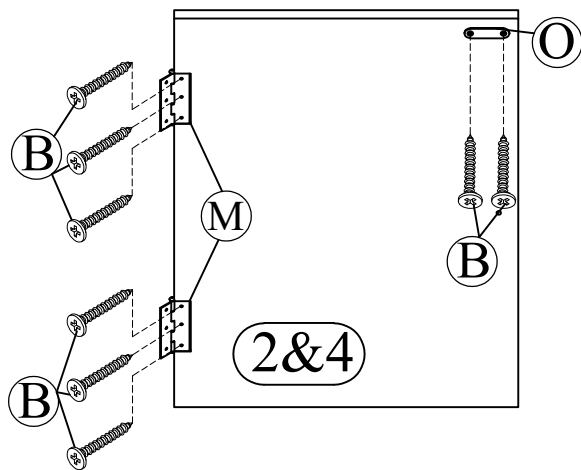
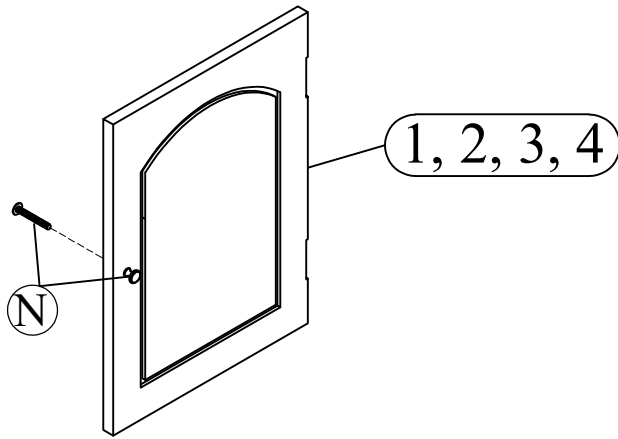
No.	OUTLOOK	DESC	QTY
(A)		Dowel Ø8*30mm	48pcs
(B)		Flat head screw #7*12mm	68pcs
(C)		Flat head screw #7*15mm	8pcs
(D)		Flat head screw #8*25mm	20pcs
(F)		Round head screw #8*15mm	105pcs
(G)		Bolts M6*25mm	18pcs
(H)		Bolts M6*35mm	3pcs
(I)		Bolts M6*55mm	32pcs
(J)		Bolts M6*80mm	4pcs
(K)		Bolts M6*100mm	12pcs
(L)		Cross dowel M6*13mm	40pcs
(M)		Door Hinge	8pcs
(N)		Handle	4pcs
(O)		Inhaler magnet	4pcs
(P)		Pas L	6pcs
(Q)		Allen key 60*22*4mm	1pc
(R)		Flat head screw #8*45mm	7pcs

ASSEMBLY TOOLS REQUIRED (NOT INCLUDED)





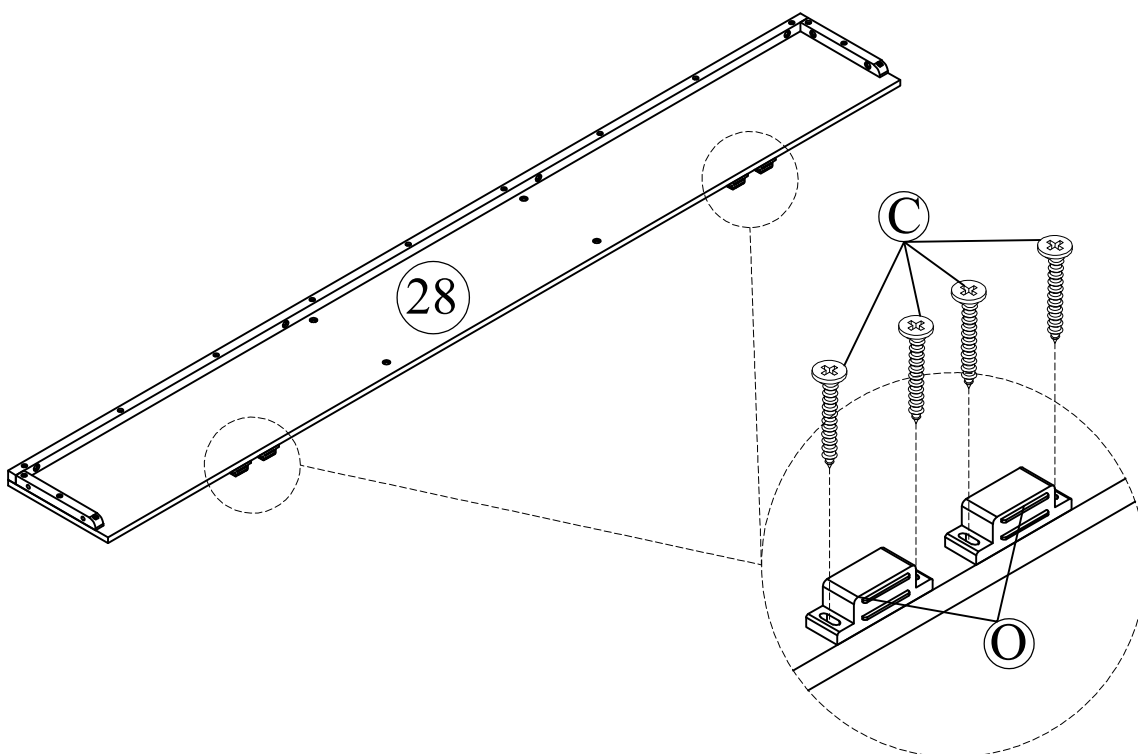
STEP 1:

(B)		32pcs
(O)		4pcs
(M)		8pcs
(N)		4pcs

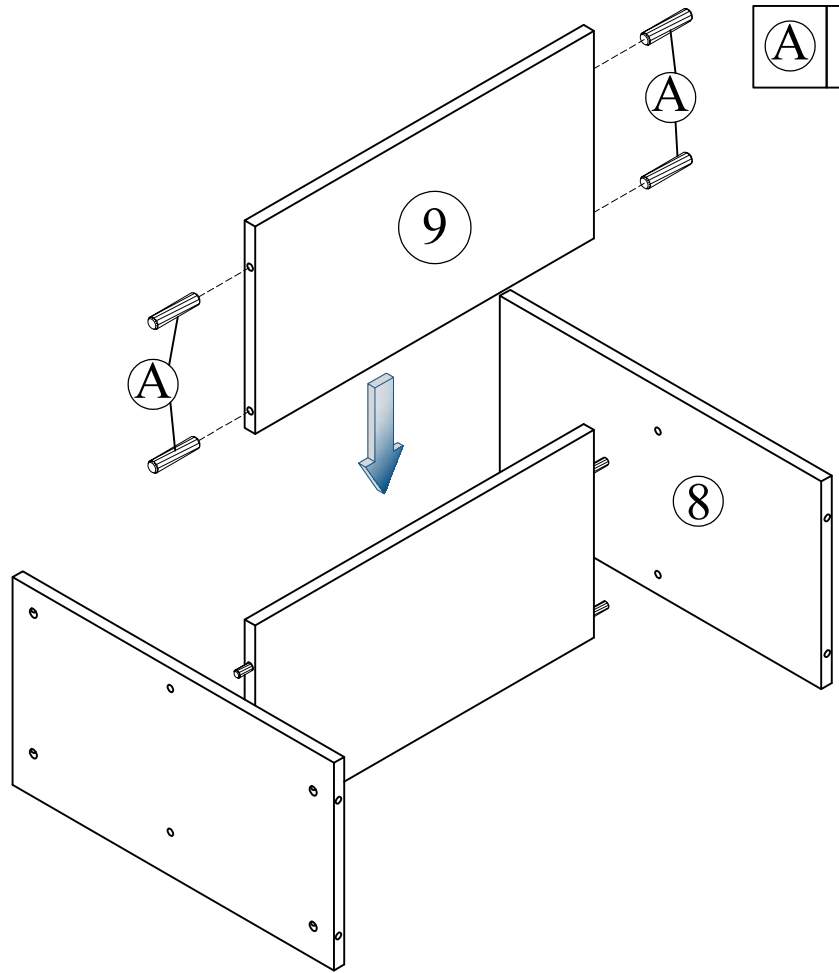


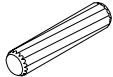
STEP 2:

(C)		8pcs
(O)		4pcs

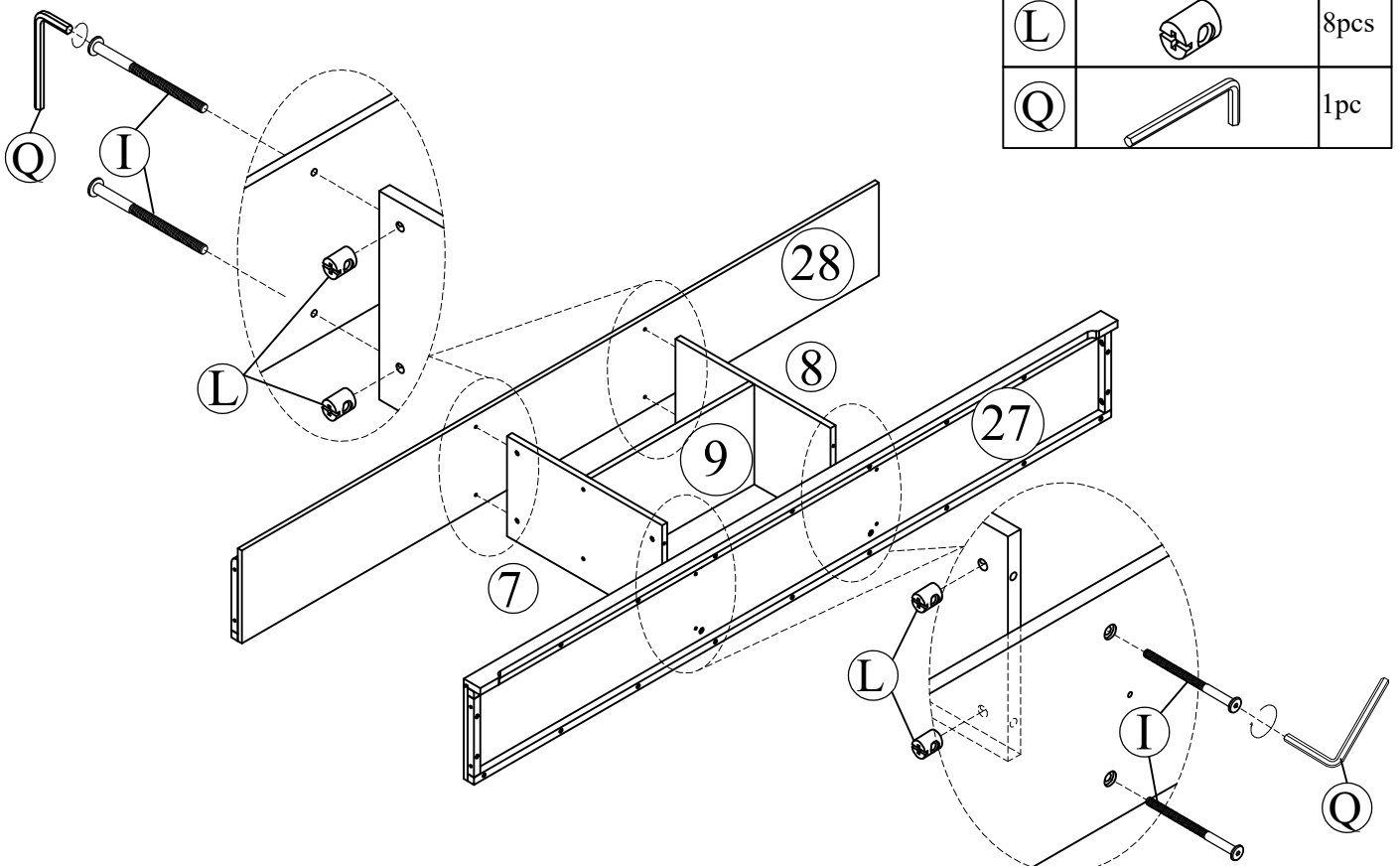





STEP 3:






A		4pcs
---	---	------

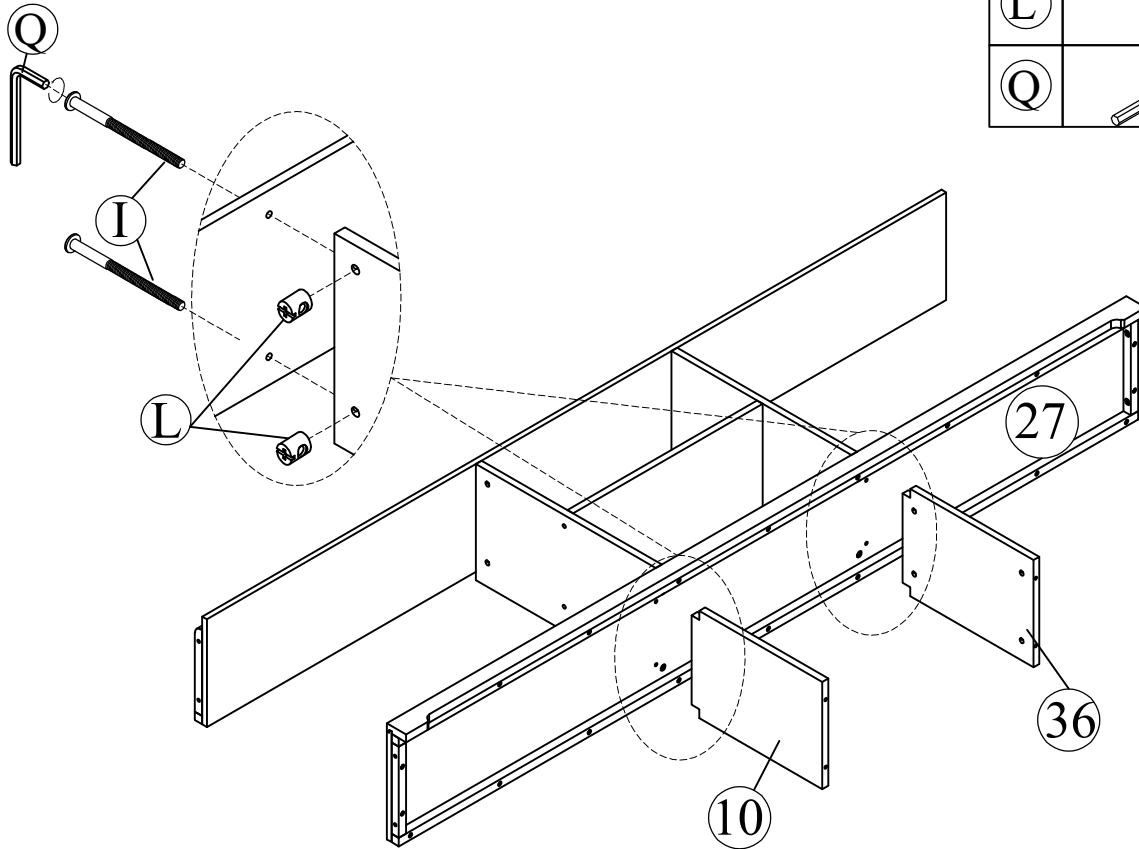
STEP 4:






I		8pcs
L		8pcs
Q		1pc

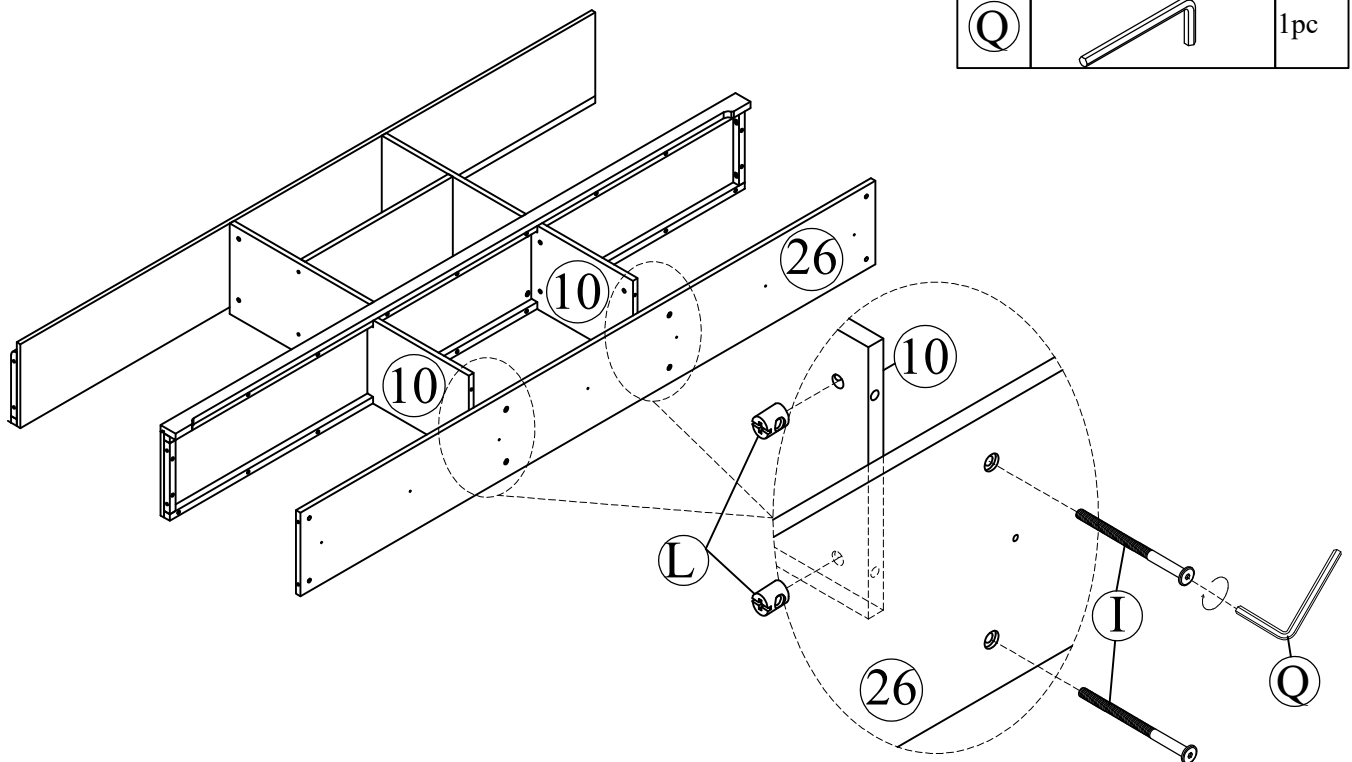
STEP 5:

I		4pcs
L		4pcs
Q		1pc






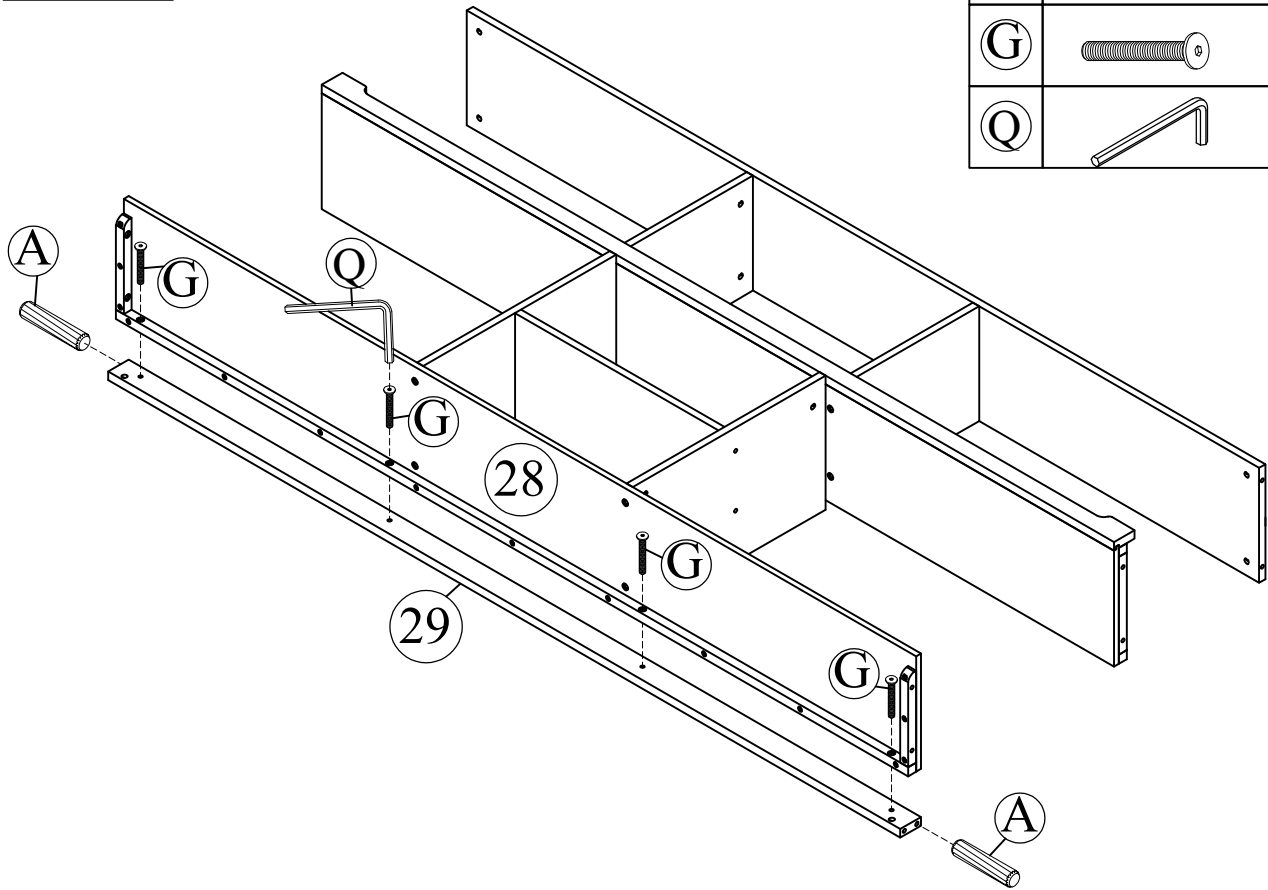
STEP 6:

I		4pcs
L		4pcs
Q		1pc



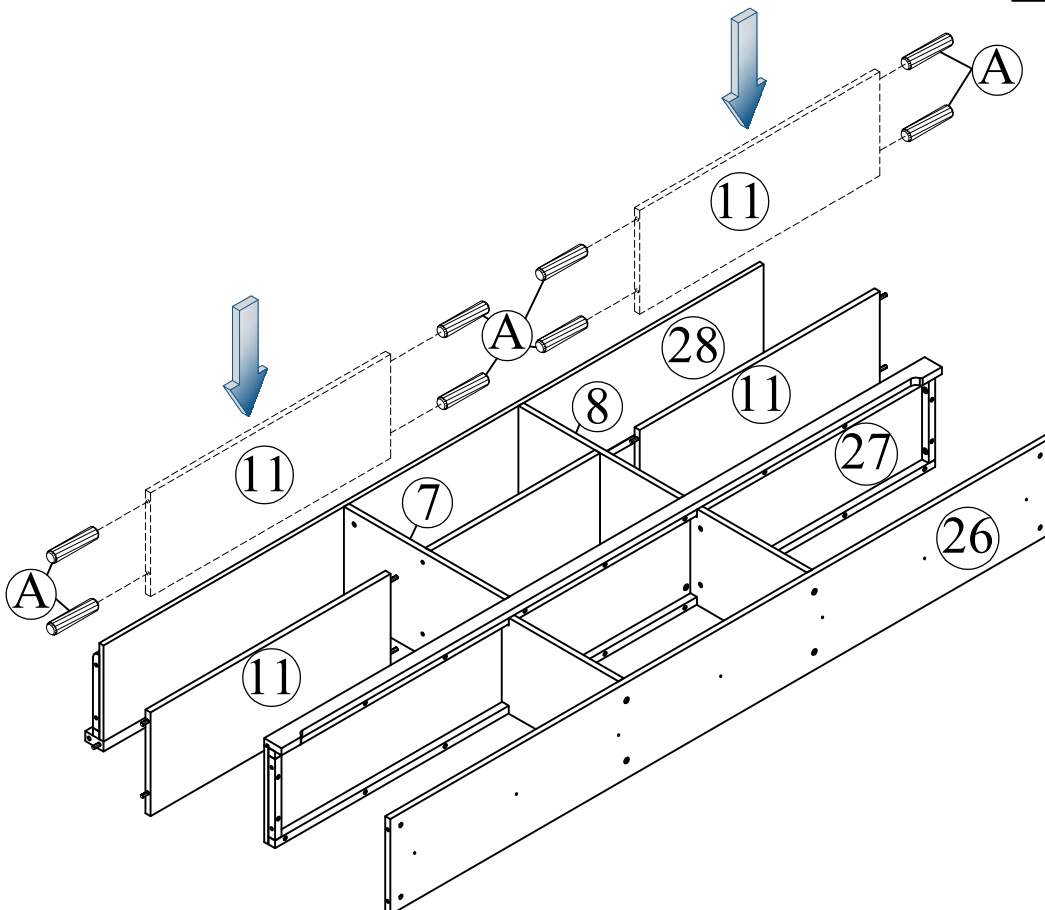
STEP 7:

A		2pcs
G		4pcs
Q		1pc

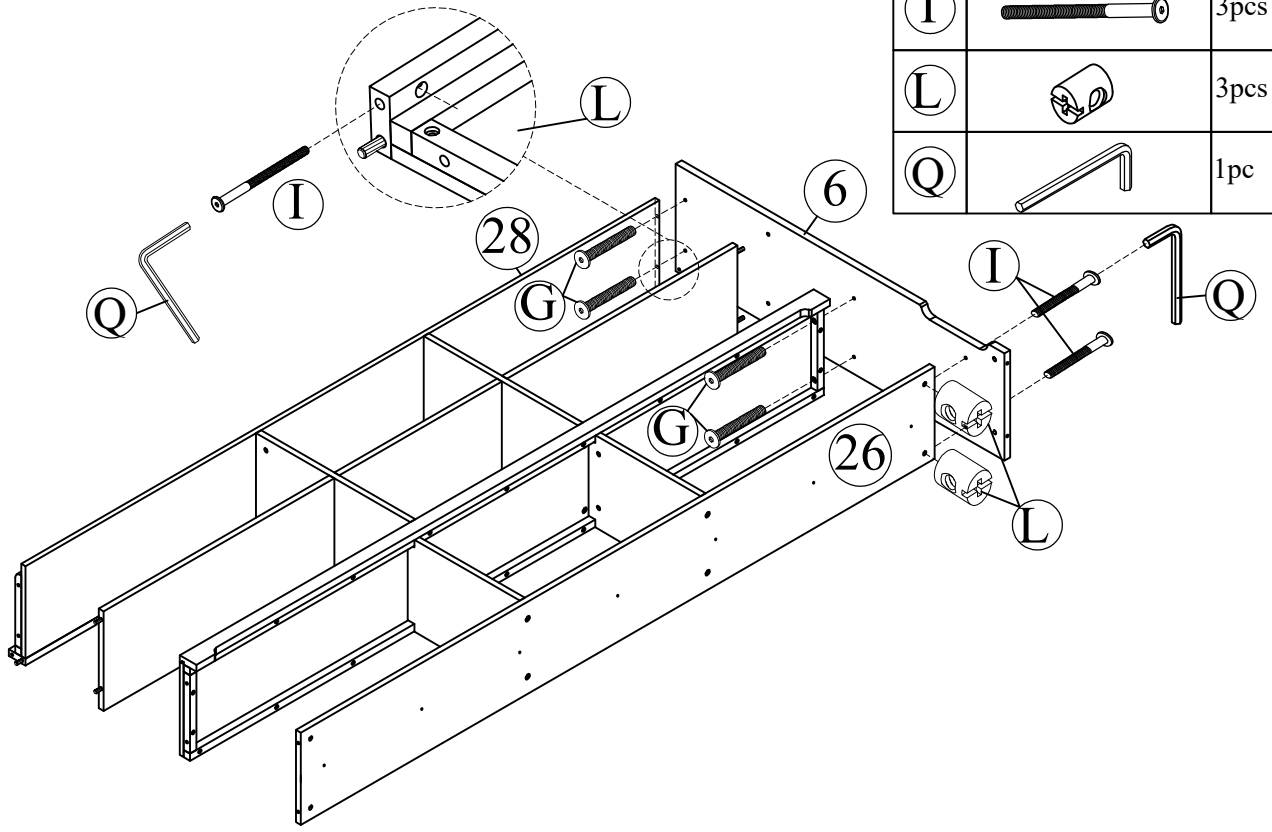


STEP 8:

A		8pcs
---	---	------

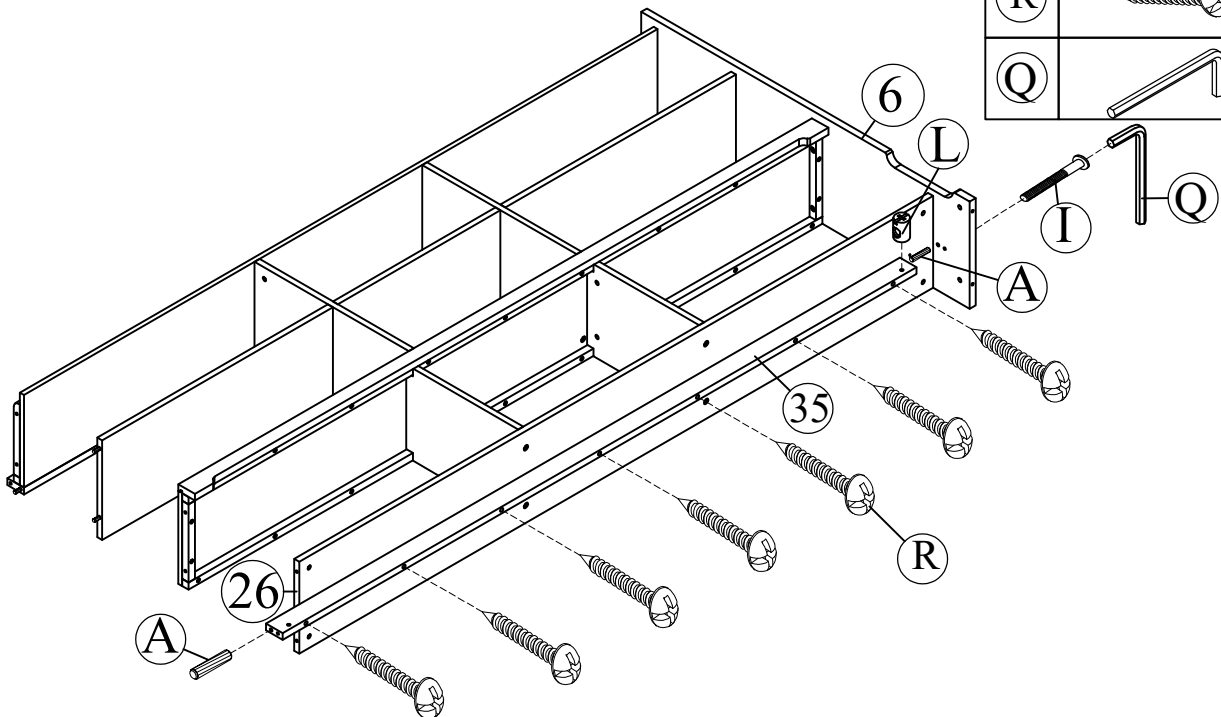


STEP 9:







G		4pcs
I		3pcs
L		3pcs
Q		1pc

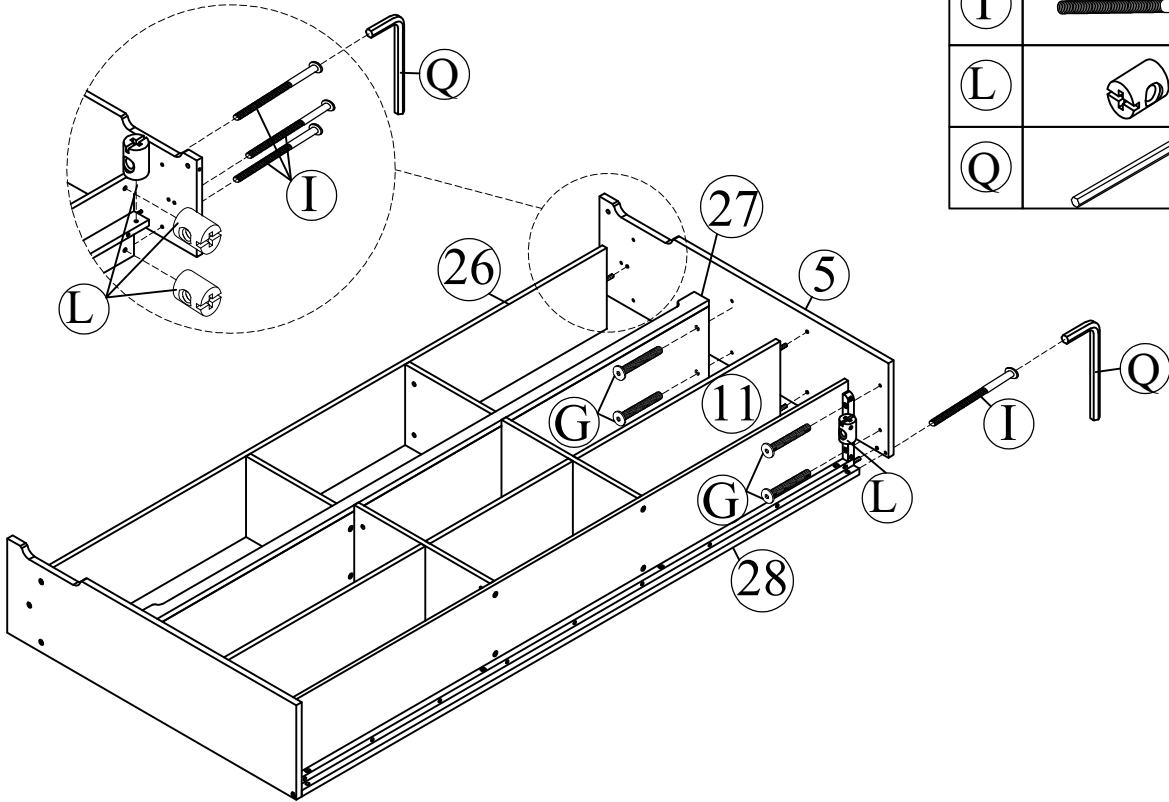
STEP 10:




A		2pcs
I		1pc
L		1pc
R		7pcs
Q		1pc

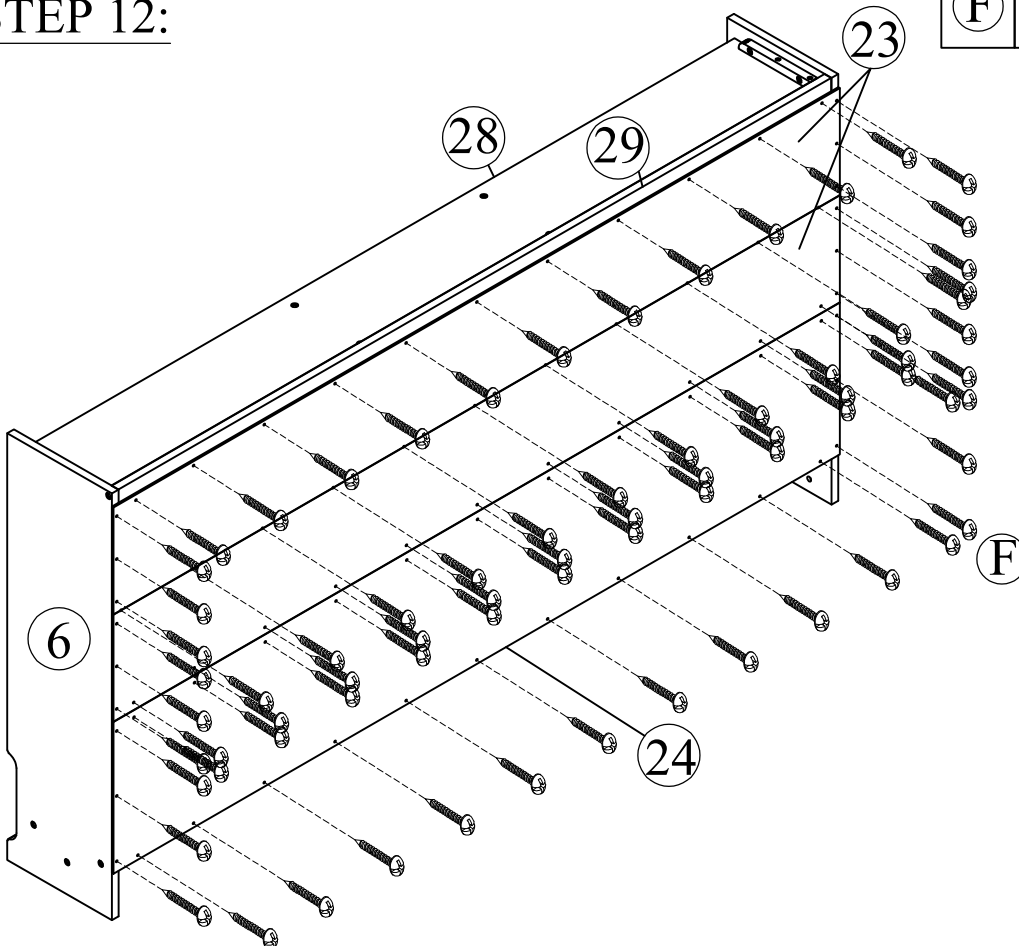
STEP 11:

G		4pcs
I		4pcs
L		4pcs
Q		1pc




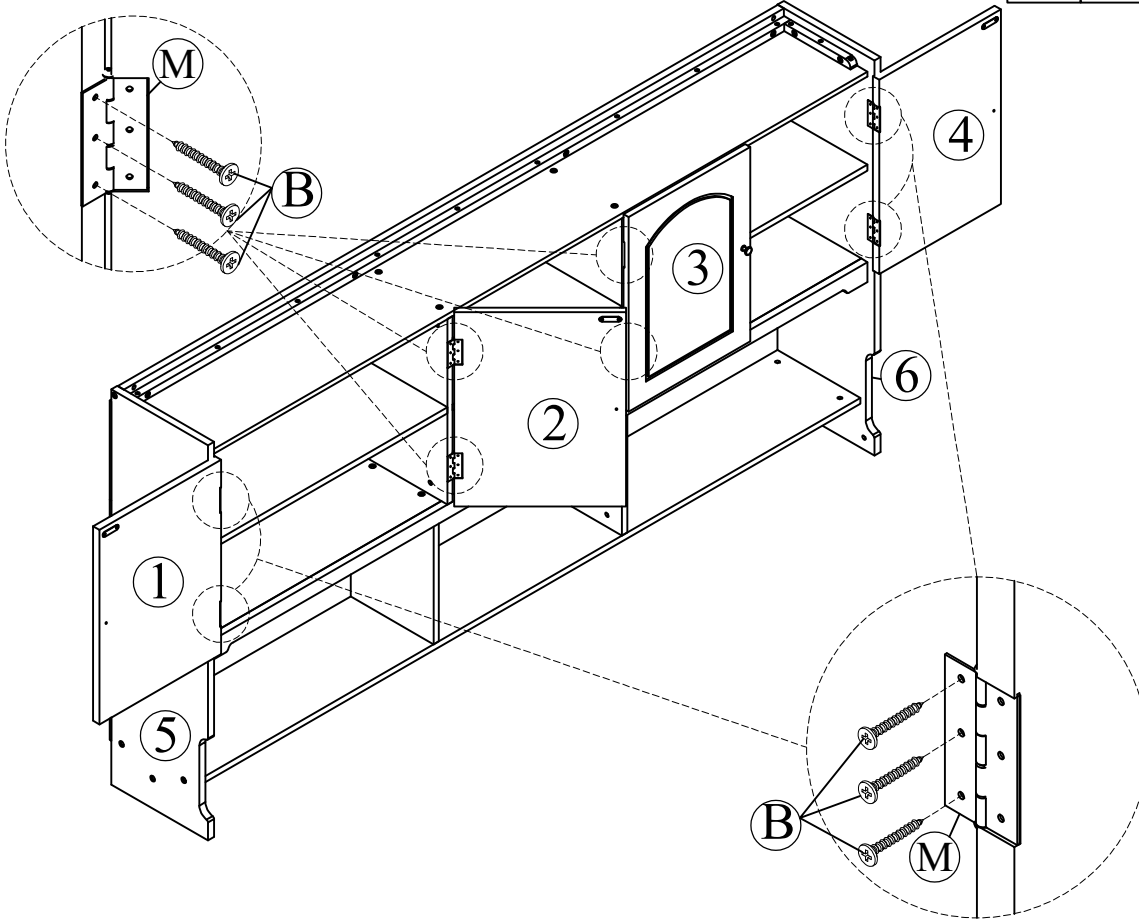
STEP 12:

F		73pcs
----------	---	-------




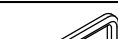


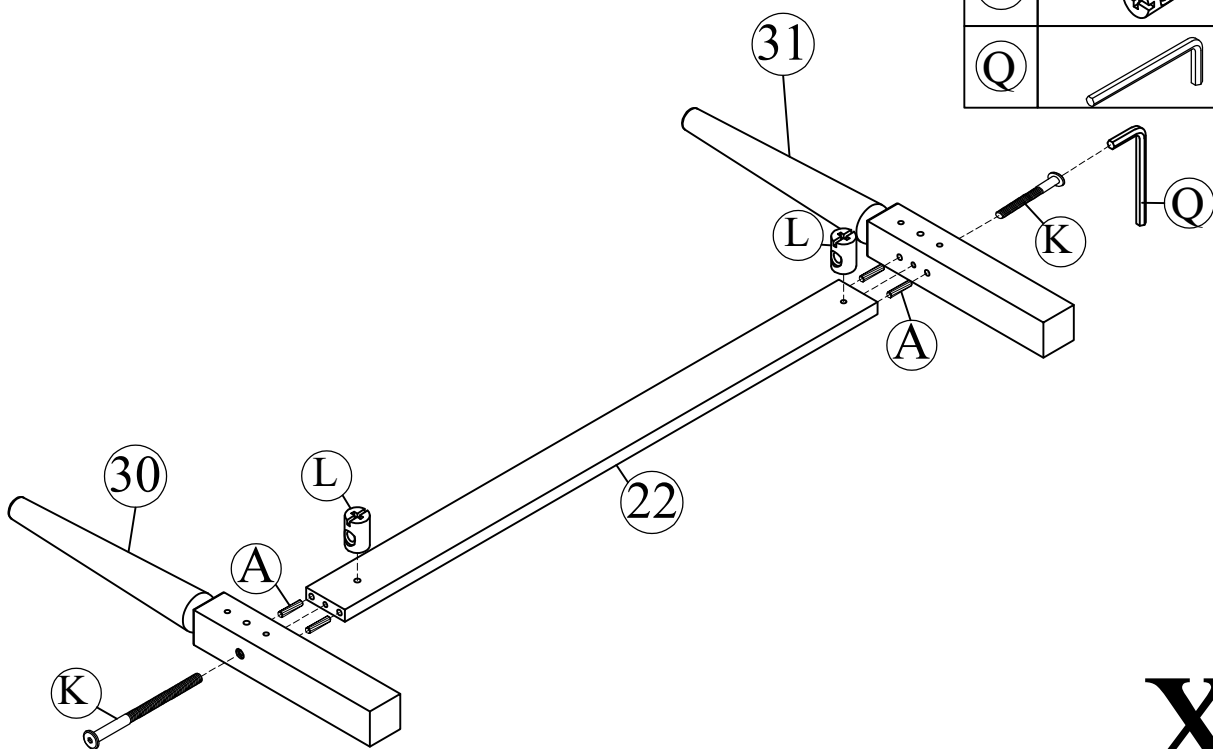
STEP 13:

(B)		24pcs
------------	---	-------




STEP 14:

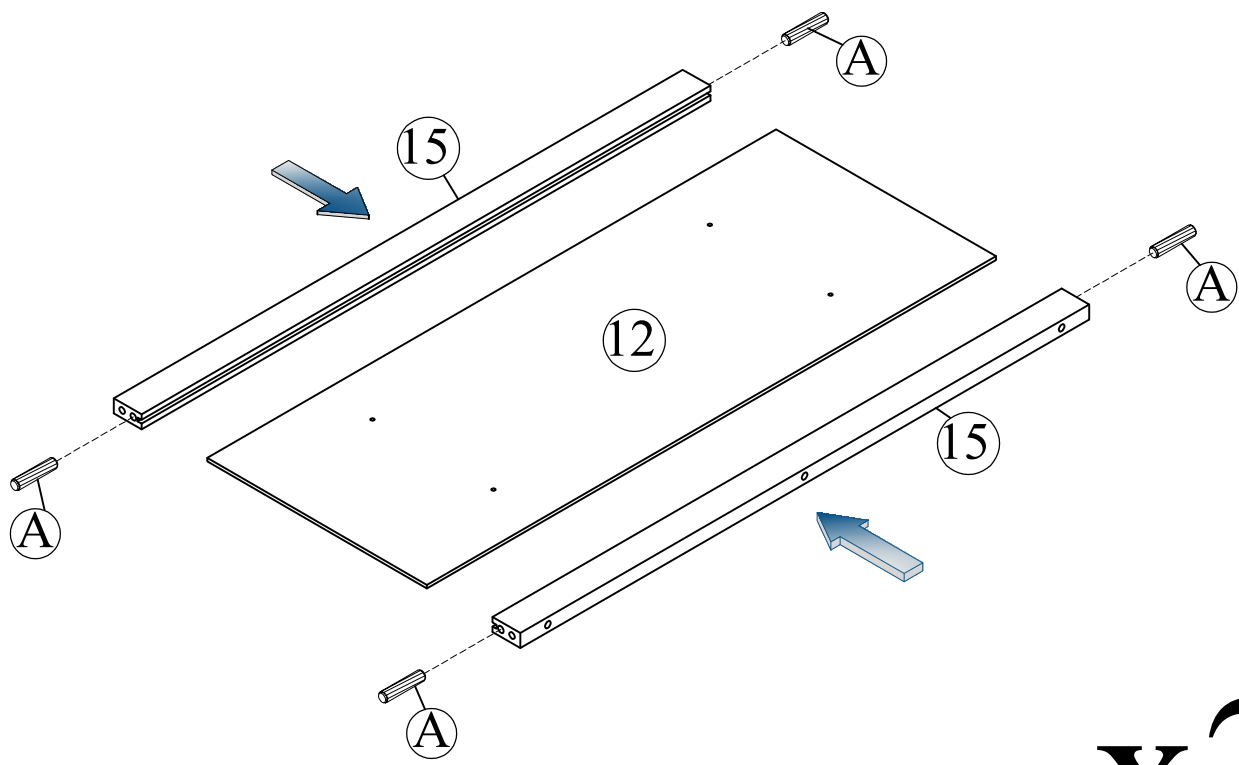
(A)		8pcs
(K)		4pcs
(L)		4pcs
(Q)		1pc



x2




STEP 15:

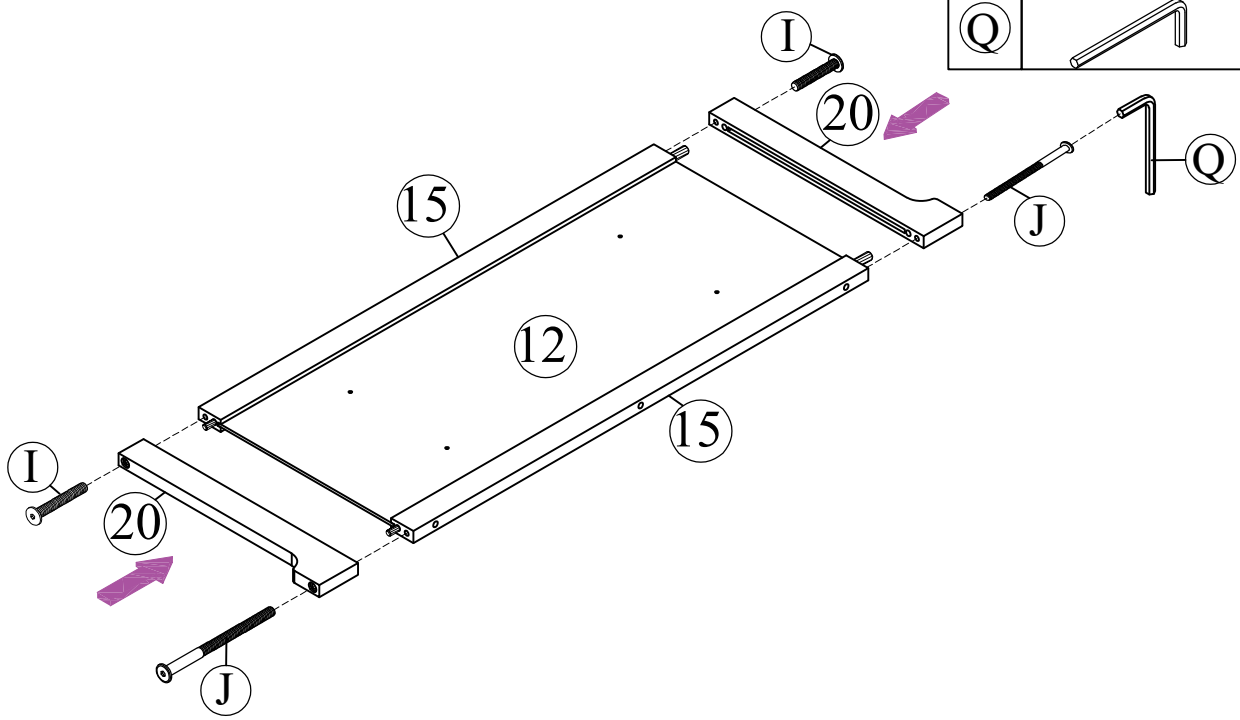
(A)		8pcs
-----	---	------



x2

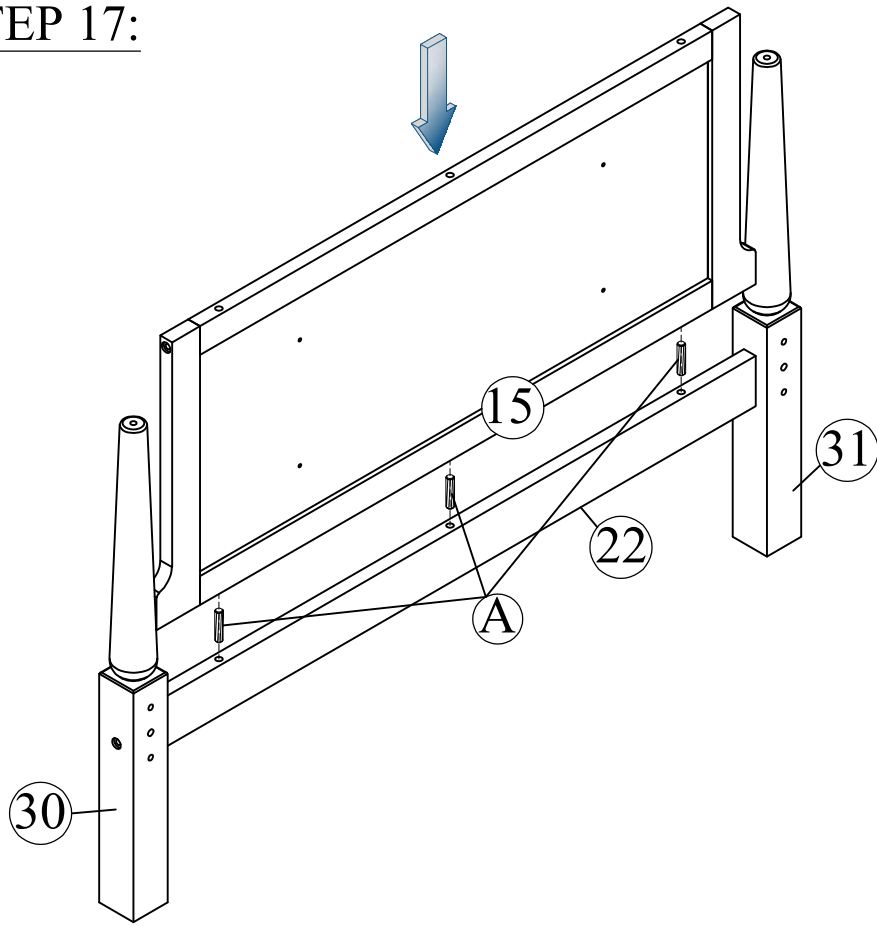
STEP 16:


(I)		4pcs
(J)		4pcs
(Q)		1pc



x2

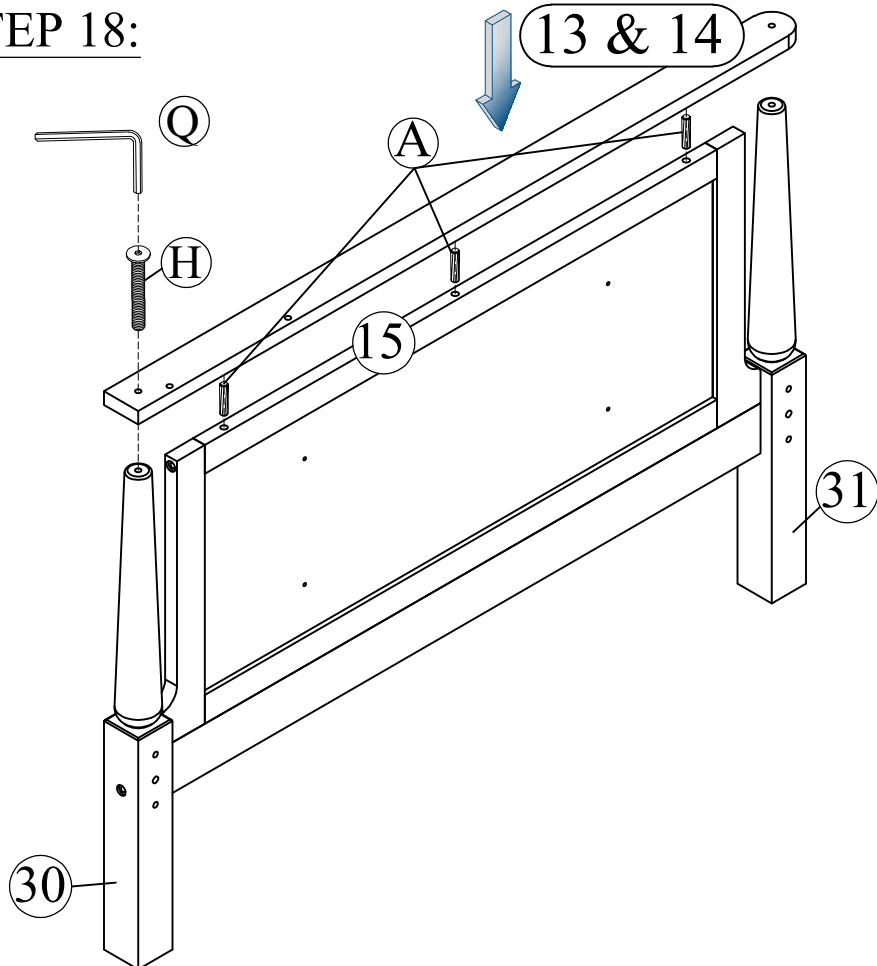
STEP 17:






A		6pcs
---	---	------

x2

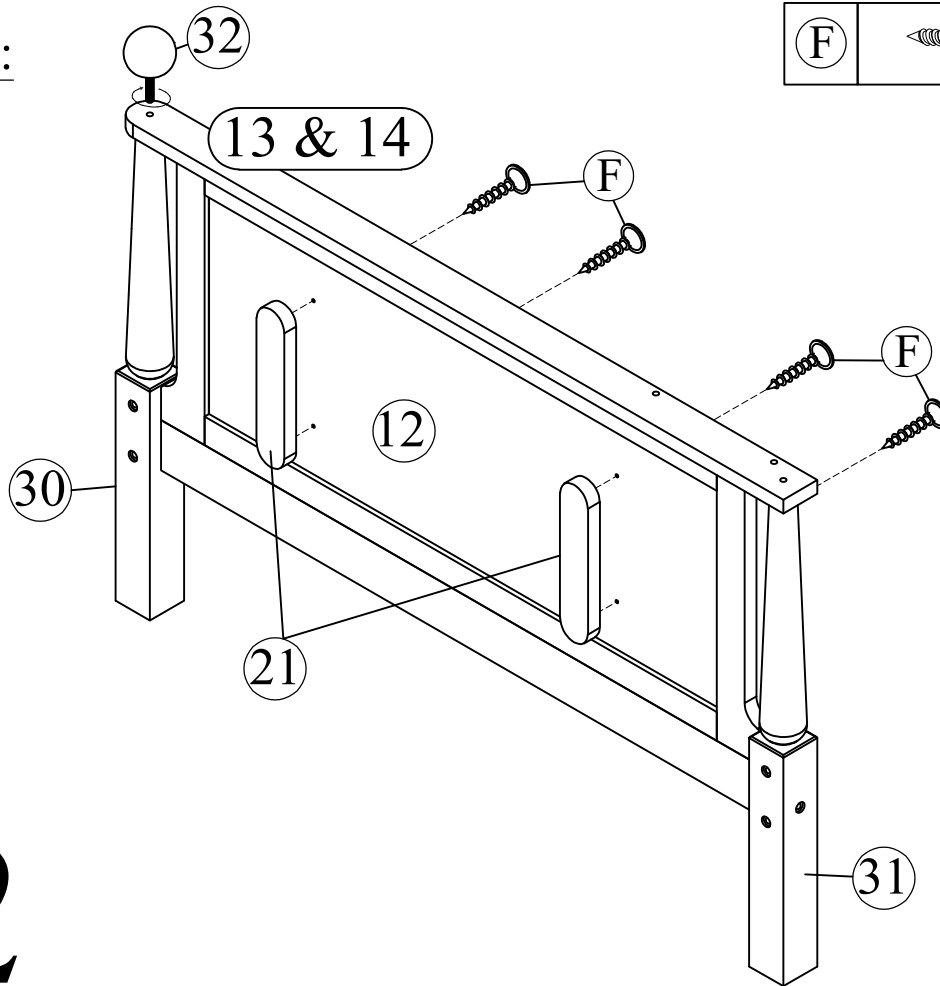
STEP 18:




A		6pcs
H		2pcs
Q		1pc

x2

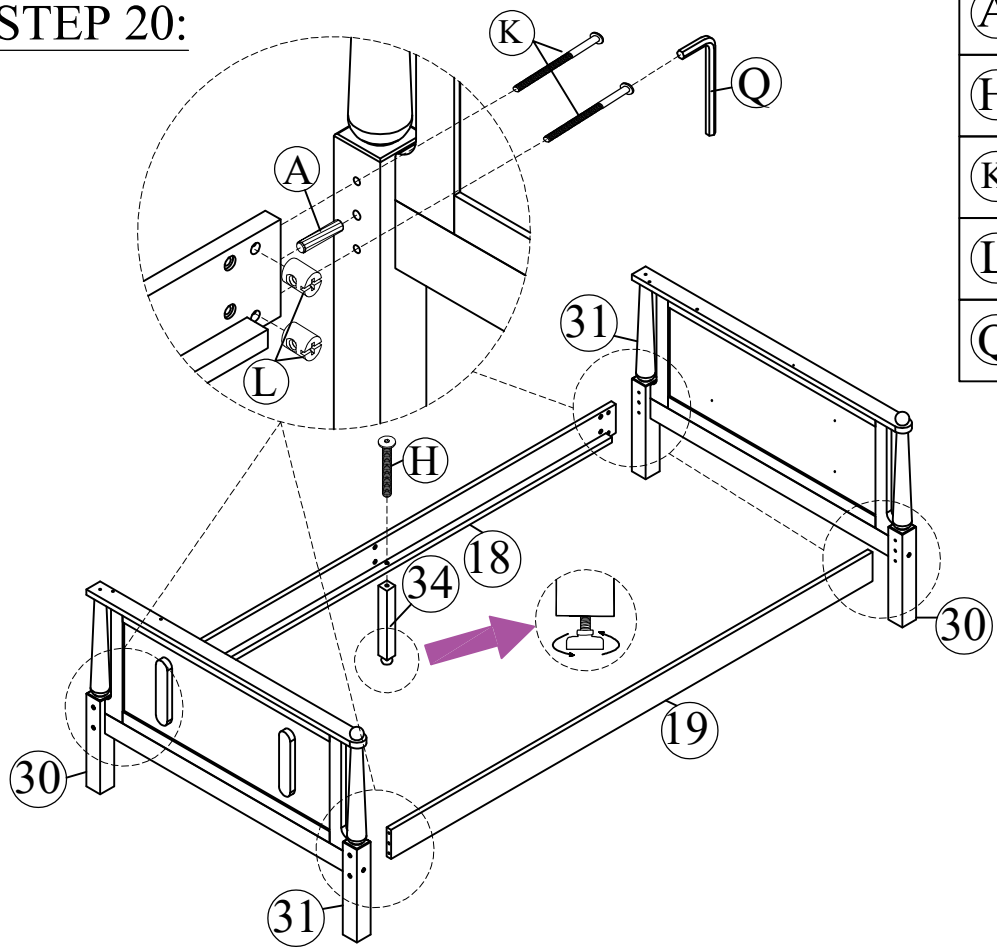
STEP 19:








(F)		8pcs
-----	---	------

x2

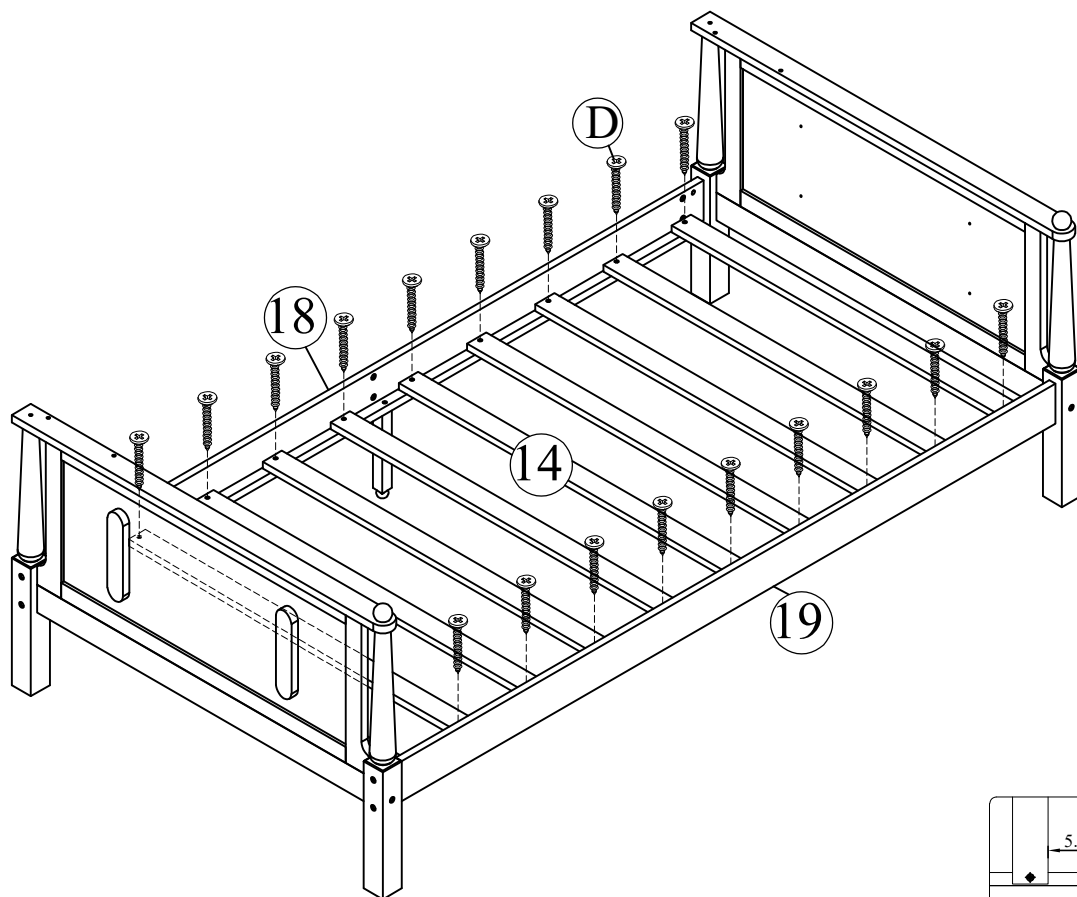
STEP 20:






(A)		4pcs
(H)		1pc
(K)		8pcs
(L)		8pcs
(Q)		1pc

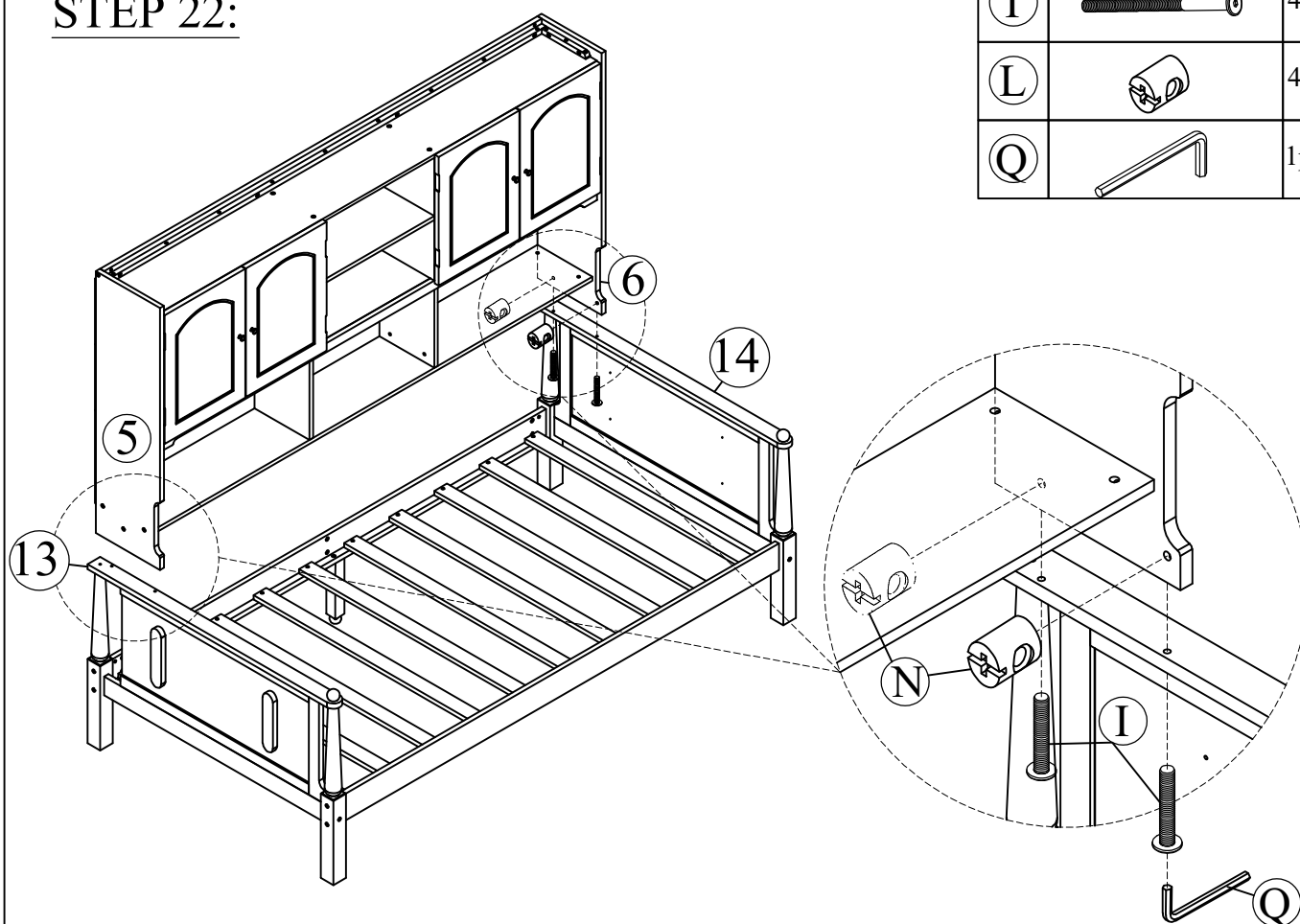
STEP 21:

D		20pcs
---	---	-------

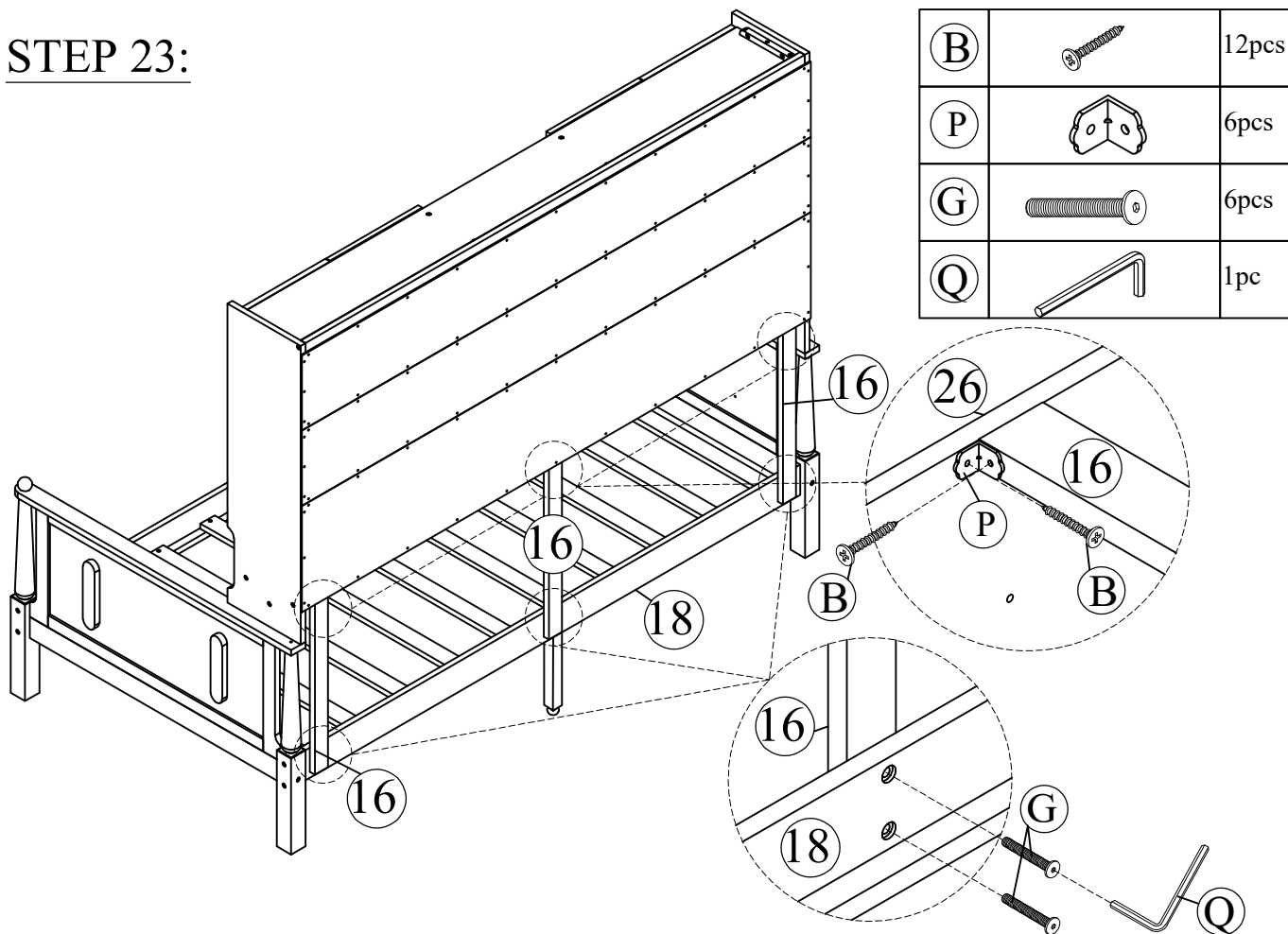


STEP 22:

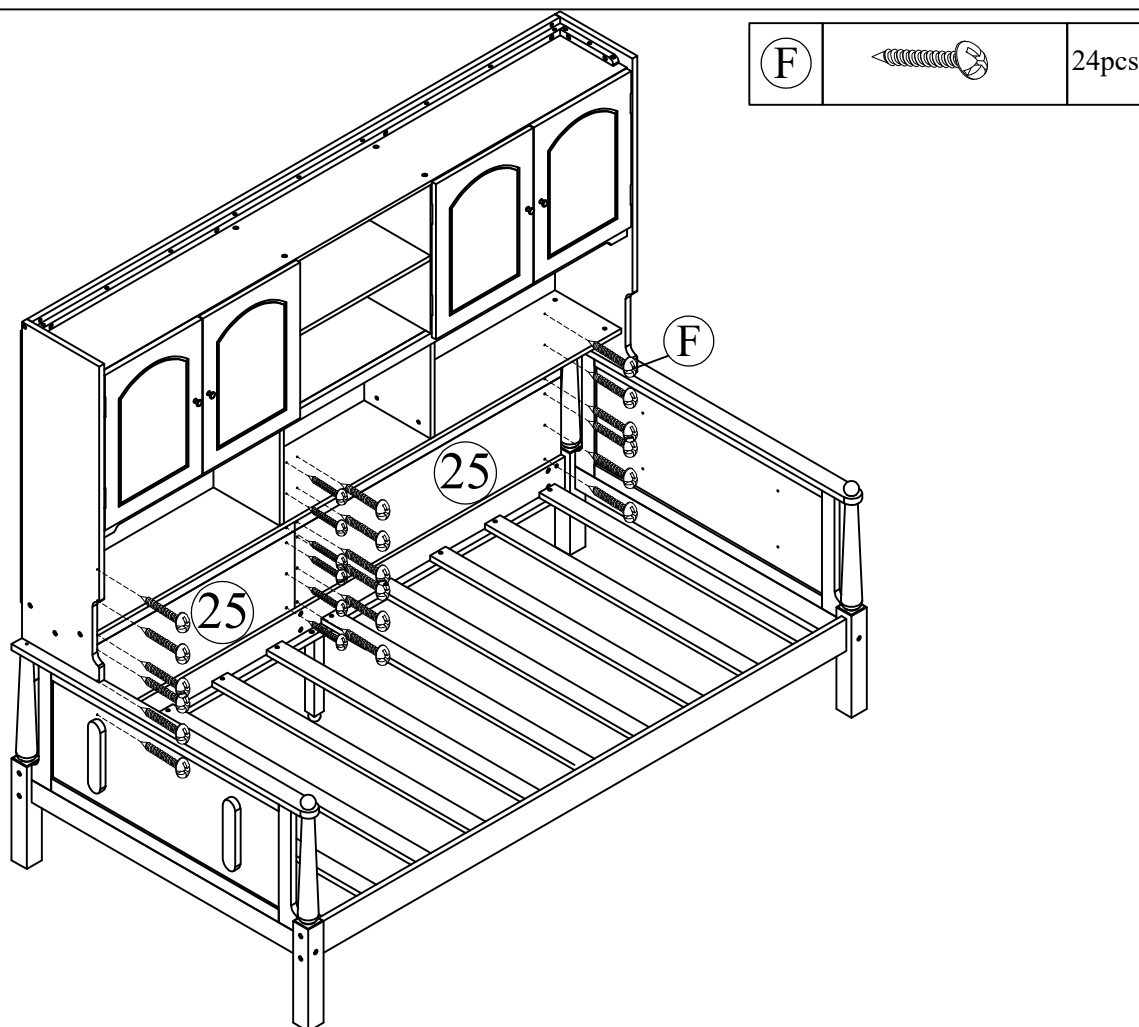
I		4pcs
L		4pcs
Q		1pc



STEP 23:



STEP 24:



FINAL:

