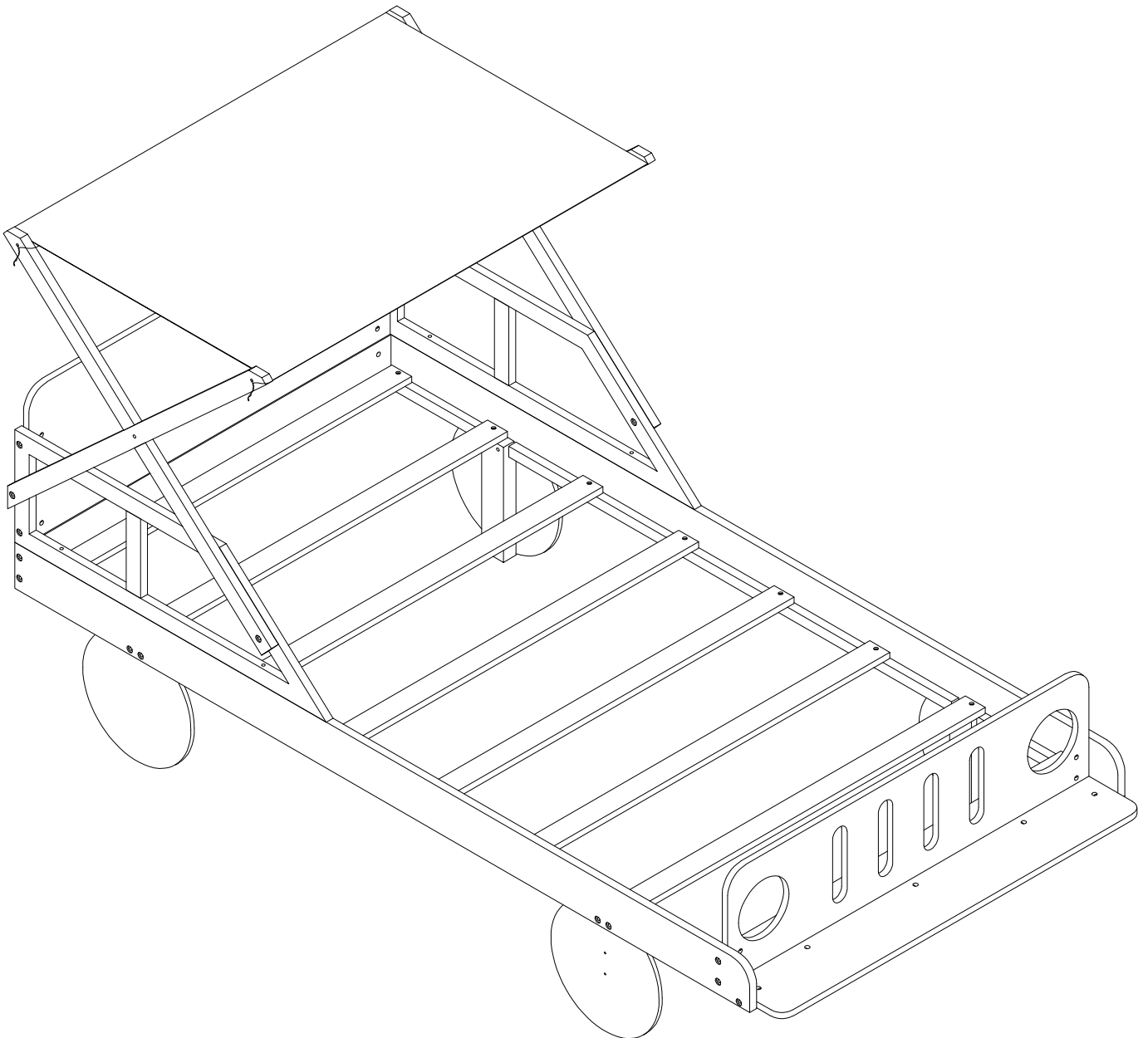


ASSEMBLY INSTRUCTION

SKU CODE: (WF310986)



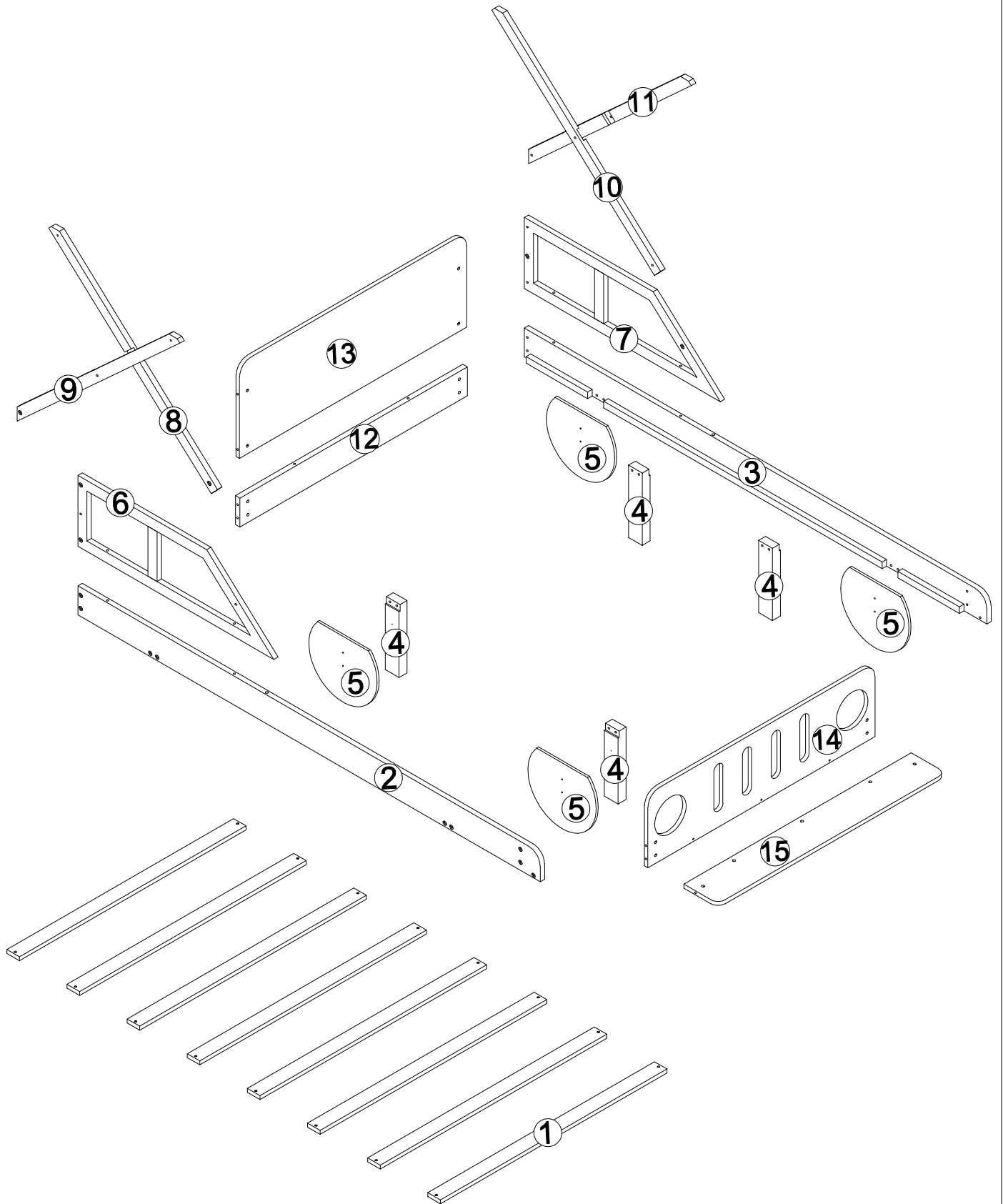
SAFETY WARNINGS AND GENERAL NOTES:

1. Do not use substitute parts. Contact the manufacturer or dealer for replacement parts.
2. Keep these instructions for future reference.
3. We recommend assembling your bed on the shipping carton to protect your floor or carpet.
4. Be certain all staples are out of the box before beginning assembly on the shipping carton.

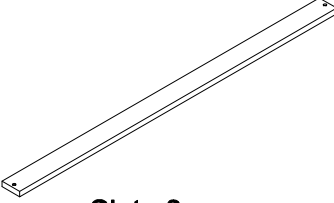
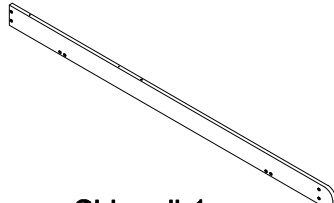
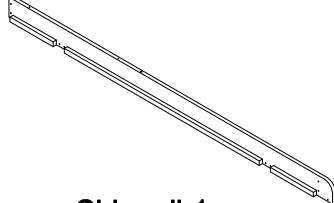
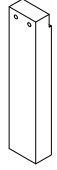
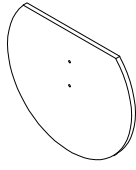
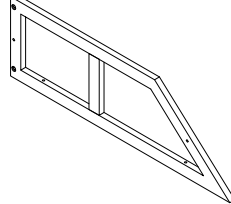
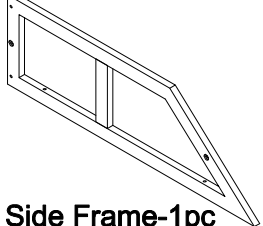
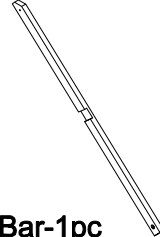
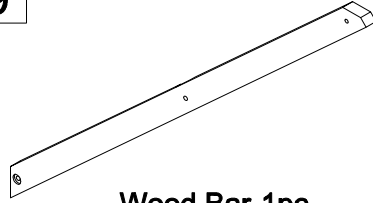
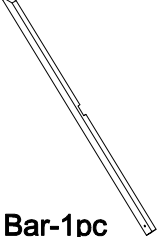
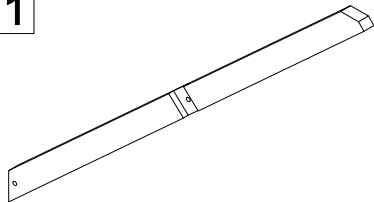
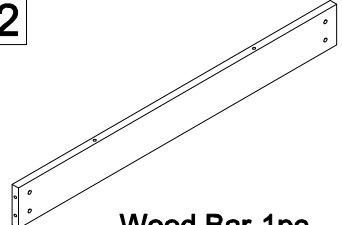
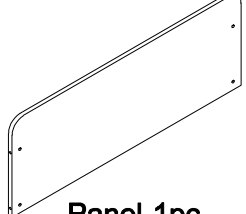
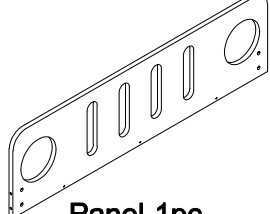
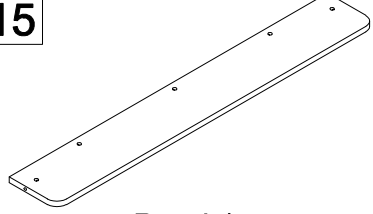
5.Replacement Parts:

Replacement Parts, including additional guardrails, may be obtained from any of our (GIGACLOUD TECHNOLOGY (USA) INC.) dealers






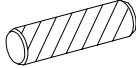


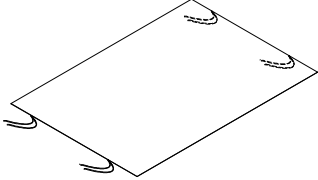
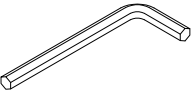
ASSEMBLY INSTRUCTION

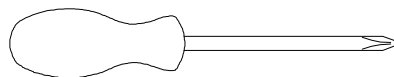


Part List & Hardware List (Box-WF310986)

<p>1</p>  <p>Slats-8pcs</p>	<p>2</p>  <p>Side rail-1pc</p>	<p>3</p>  <p>Side rail-1pc</p>
<p>4</p>  <p>Legs-4pcs</p>	<p>5</p>  <p>Panels-4pcs</p>	<p>6</p>  <p>Side Frame-1pc</p>
<p>7</p>  <p>Side Frame-1pc</p>	<p>8</p>  <p>Wood Bar-1pc</p>	<p>9</p>  <p>Wood Bar-1pc</p>
<p>10</p>  <p>Wood Bar-1pc</p>	<p>11</p>  <p>Wood Bar-1pc</p>	<p>12</p>  <p>Wood Bar-1pc</p>
<p>13</p>  <p>Panel-1pc</p>	<p>14</p>  <p>Panel-1pc</p>	<p>15</p>  <p>Panel-1pc</p>

Hardware List (Box-WF308153)



<p>A</p>  <p>Ø1/4" x 15mm Hex-Head bolts 2pcs</p>	<p>B</p>  <p>Ø1/4" x 15 mm Canopy head through -14pcs</p>	<p>C</p>  <p>Ø1/4" x 60mm Hex-Head bolts 21pcs</p>
<p>D</p>  <p>Ø1/4" x 13 mm Horizontal-Hole bolts 17pcs</p>	<p>E</p>  <p>Ø1/4" x 35mm Hex-Head bolts 8pcs</p>	<p>F</p>  <p>Ø8 x 30 mm Wood dowel 4pcs</p>
<p>G</p>  <p>Ø1/4" x 25mm Hex-Head bolts 4pcs</p>	<p>H</p>  <p>M4 x 30 mm Wood Screws 24pcs</p>	
<p>L</p>  <p>Cloth-1pc</p>	<p>M</p>  <p>Allen Key 1pc</p>	

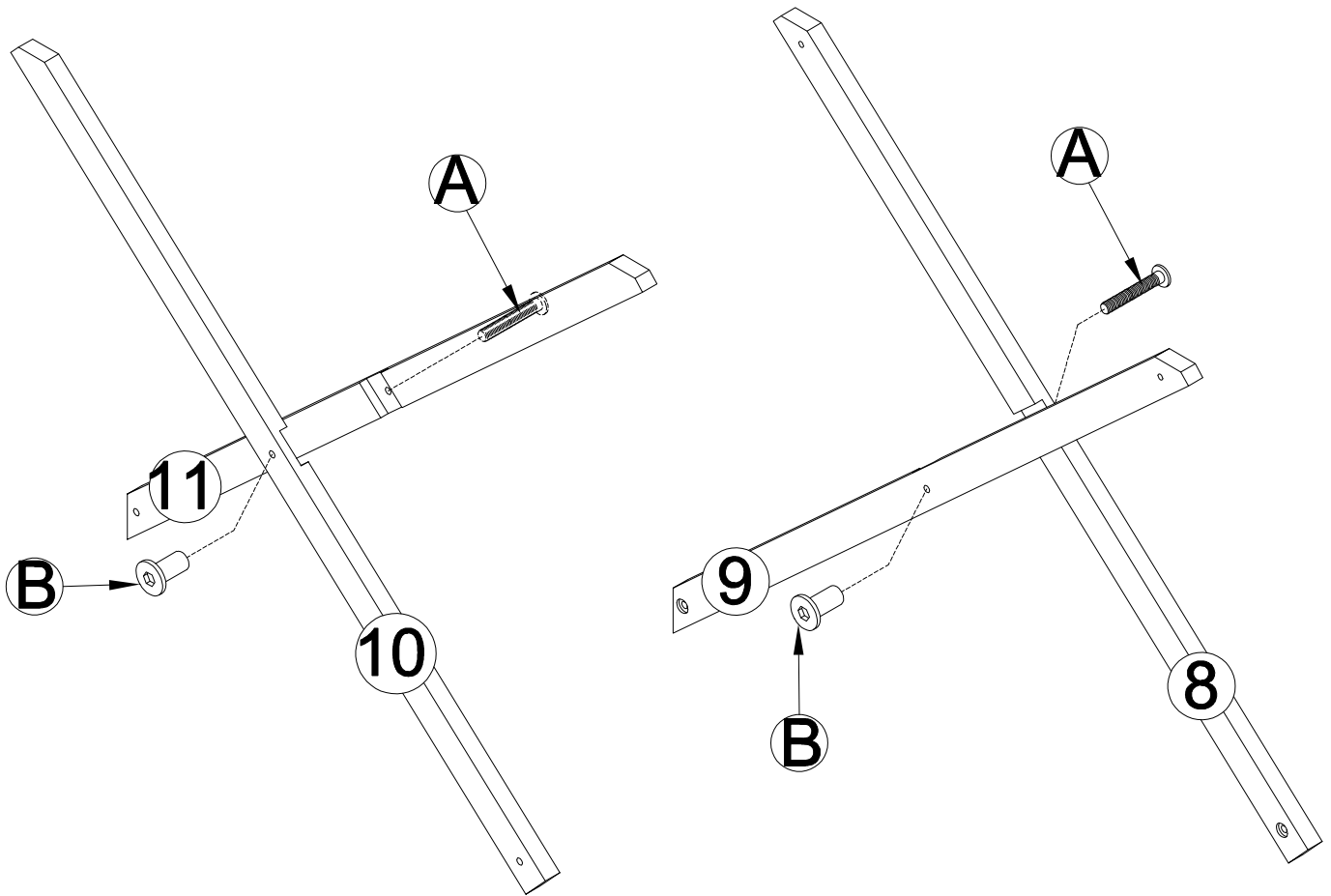


Assembly Tools Required (Not Included)

STEP 1: Following below illustration:



- Using hardware #A,#B Connect 10 Wood Bar With 10 Wood Bar
- Using hardware #A,#B Connect 9 Wood Bar With 8 Wood Bar
- Look at detail view for more detail

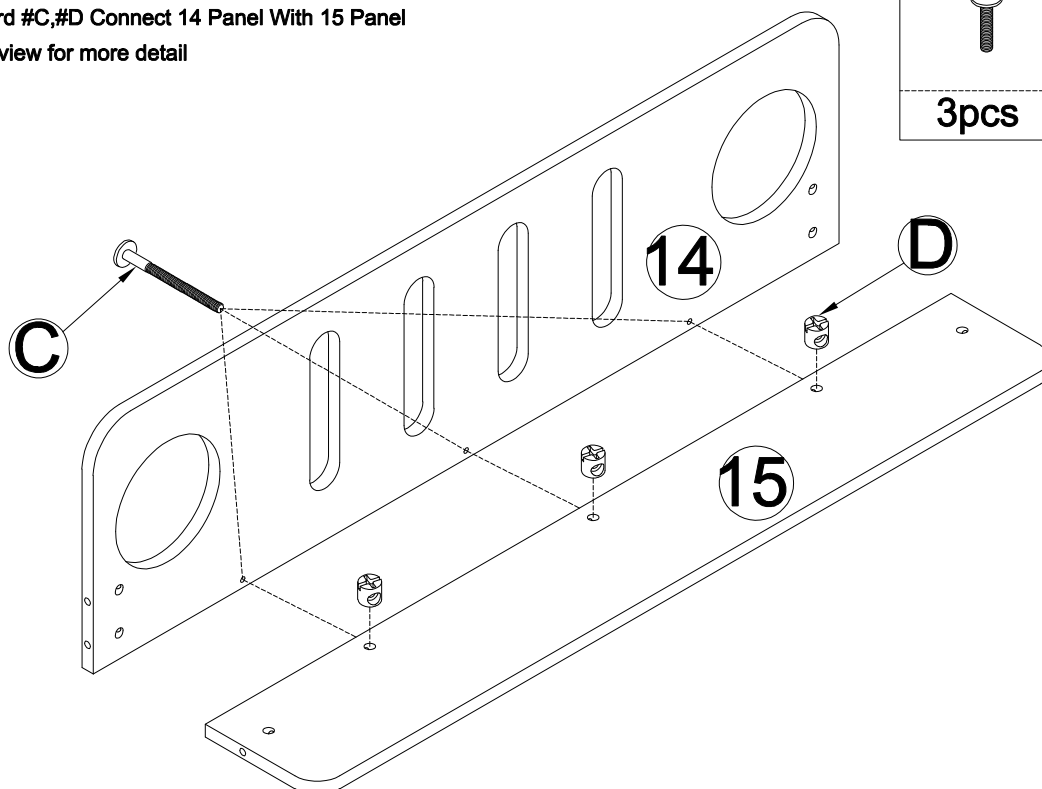
A		B	
2pcs		2pcs	



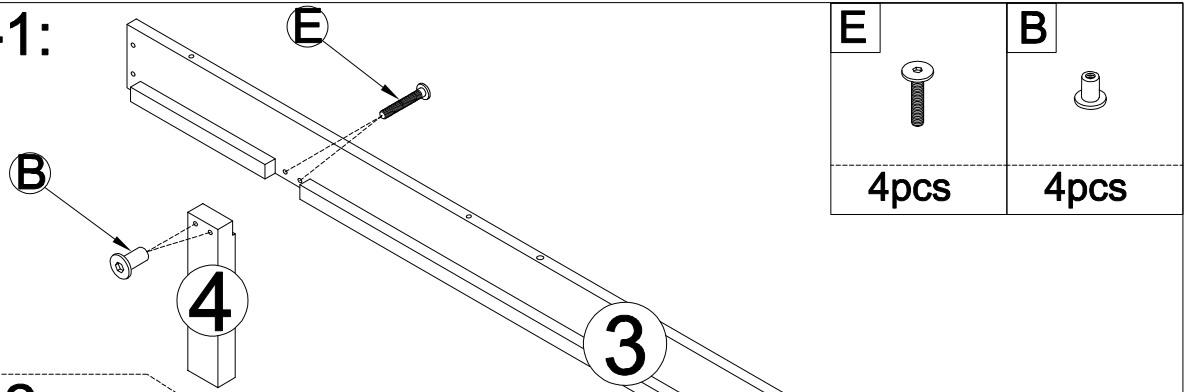
STEP 2: Following below illustration:



- Using hardware #C,#D Connect 14 Panel With 15 Panel
- Look at detail view for more detail

C		D	
3pcs		3pcs	

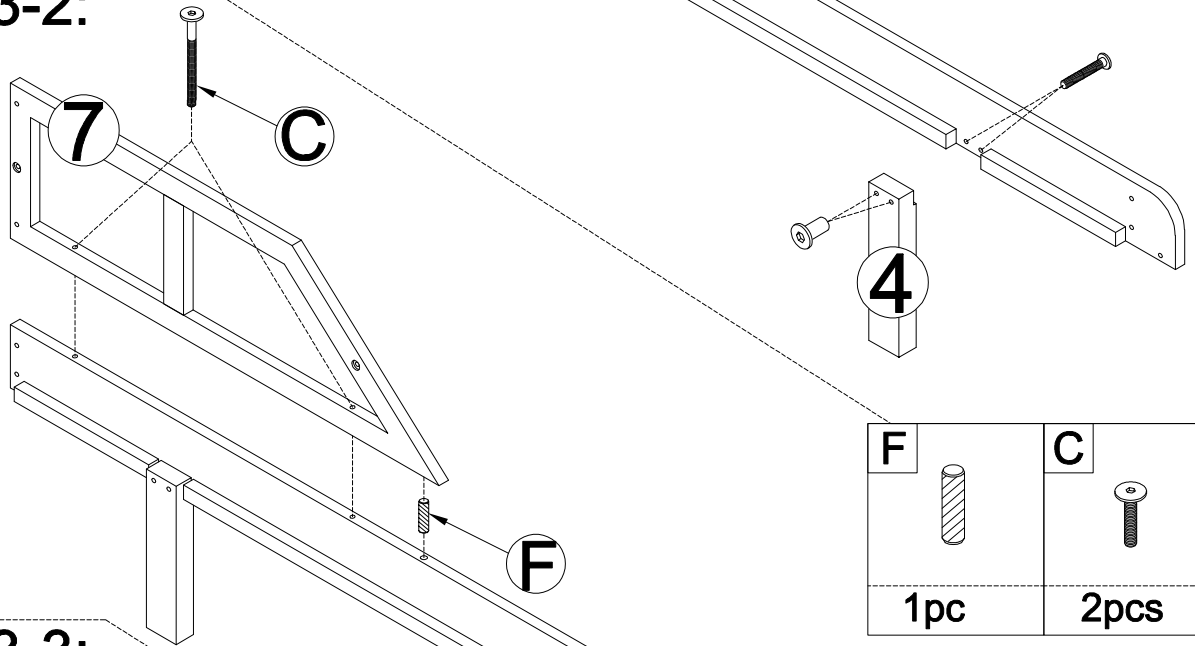




STEP 3-1:



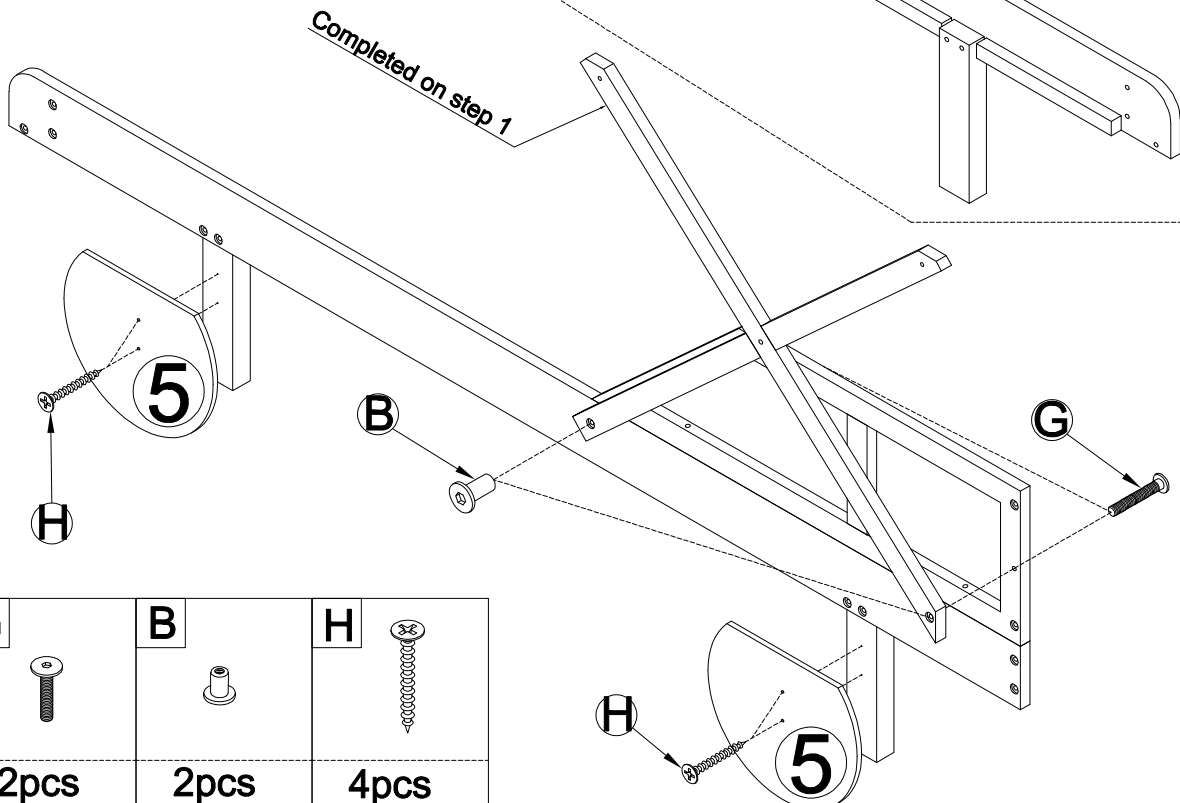
E		B	
4pcs		4pcs	




STEP 3-2:



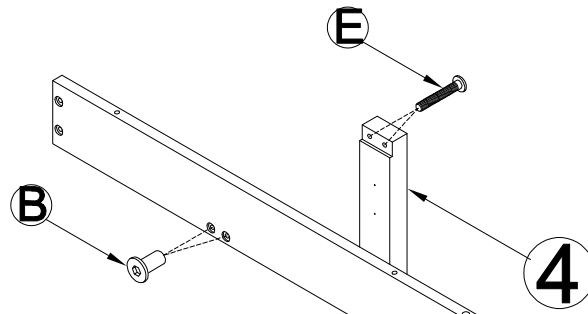
F		C	
1pc		2pcs	



STEP 3-3:



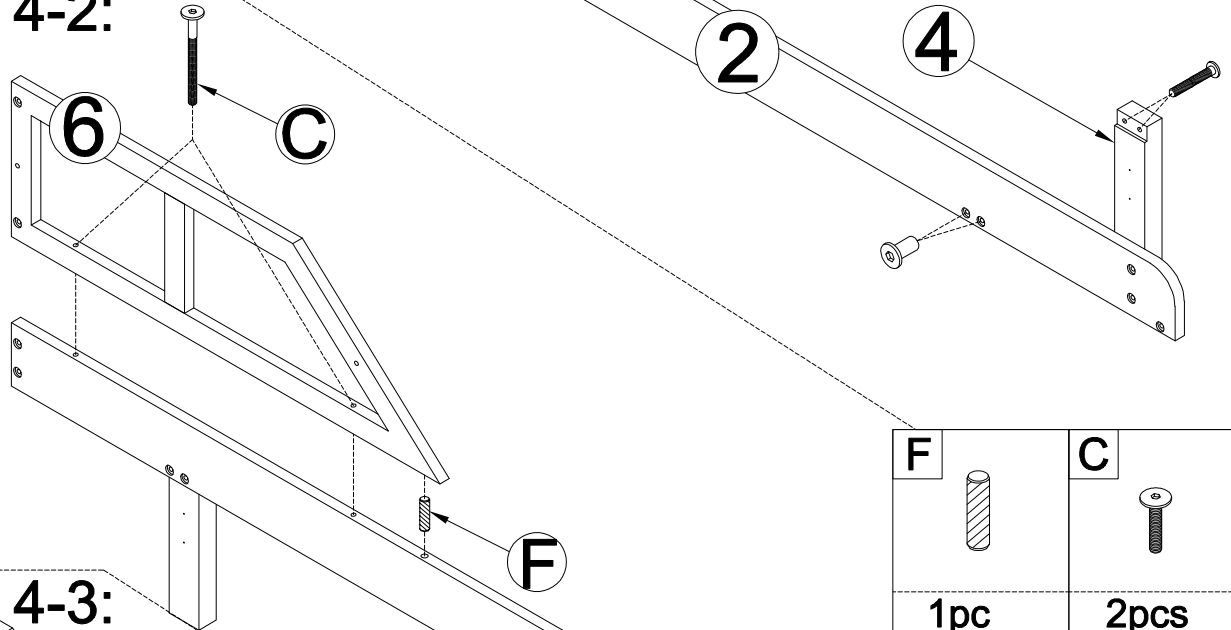
G		B		H	
2pcs		2pcs		4pcs	



STEP 4-1:



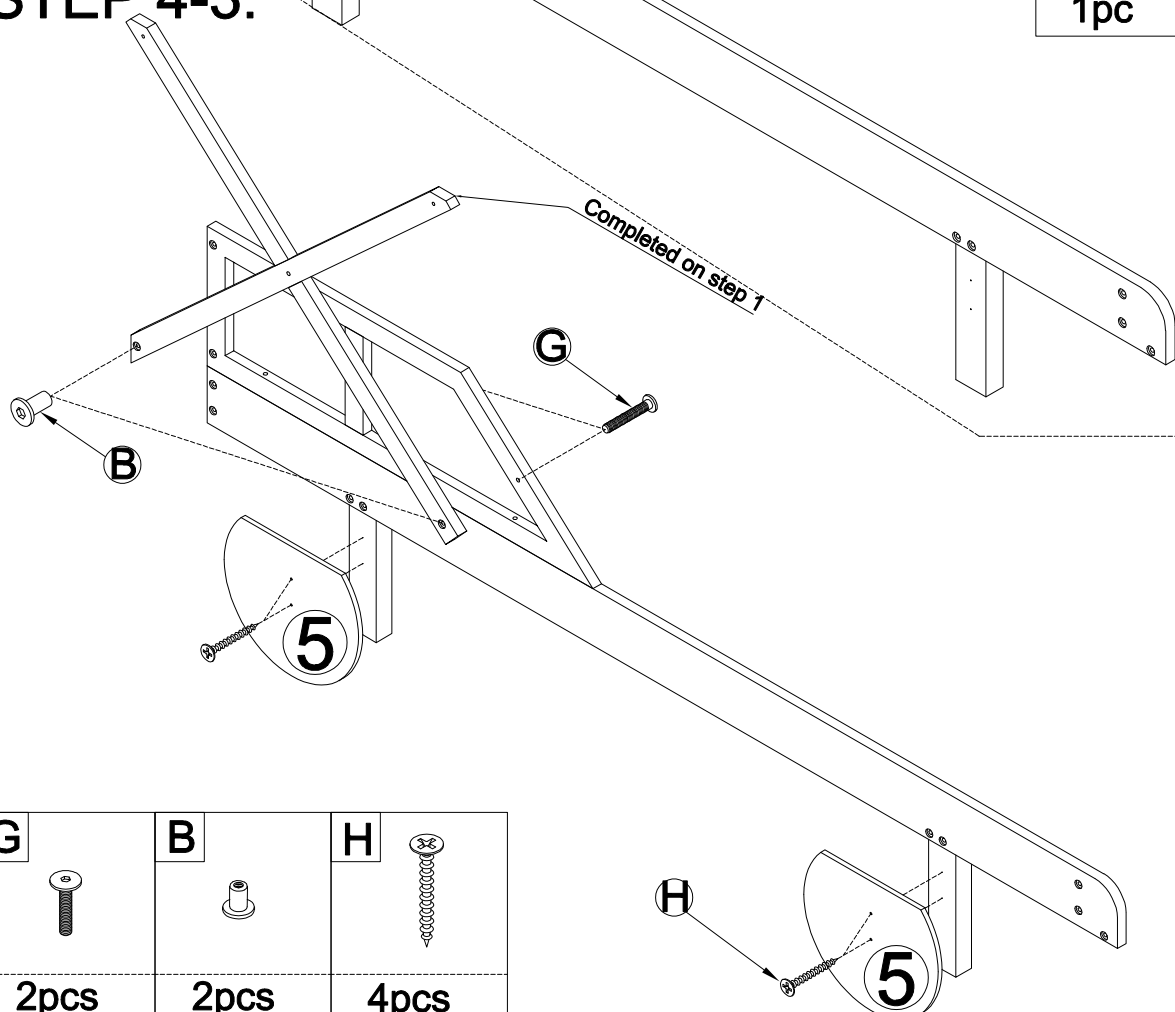
E		B	
4pcs		4pcs	




STEP 4-2:






F		C	
1pc		2pcs	

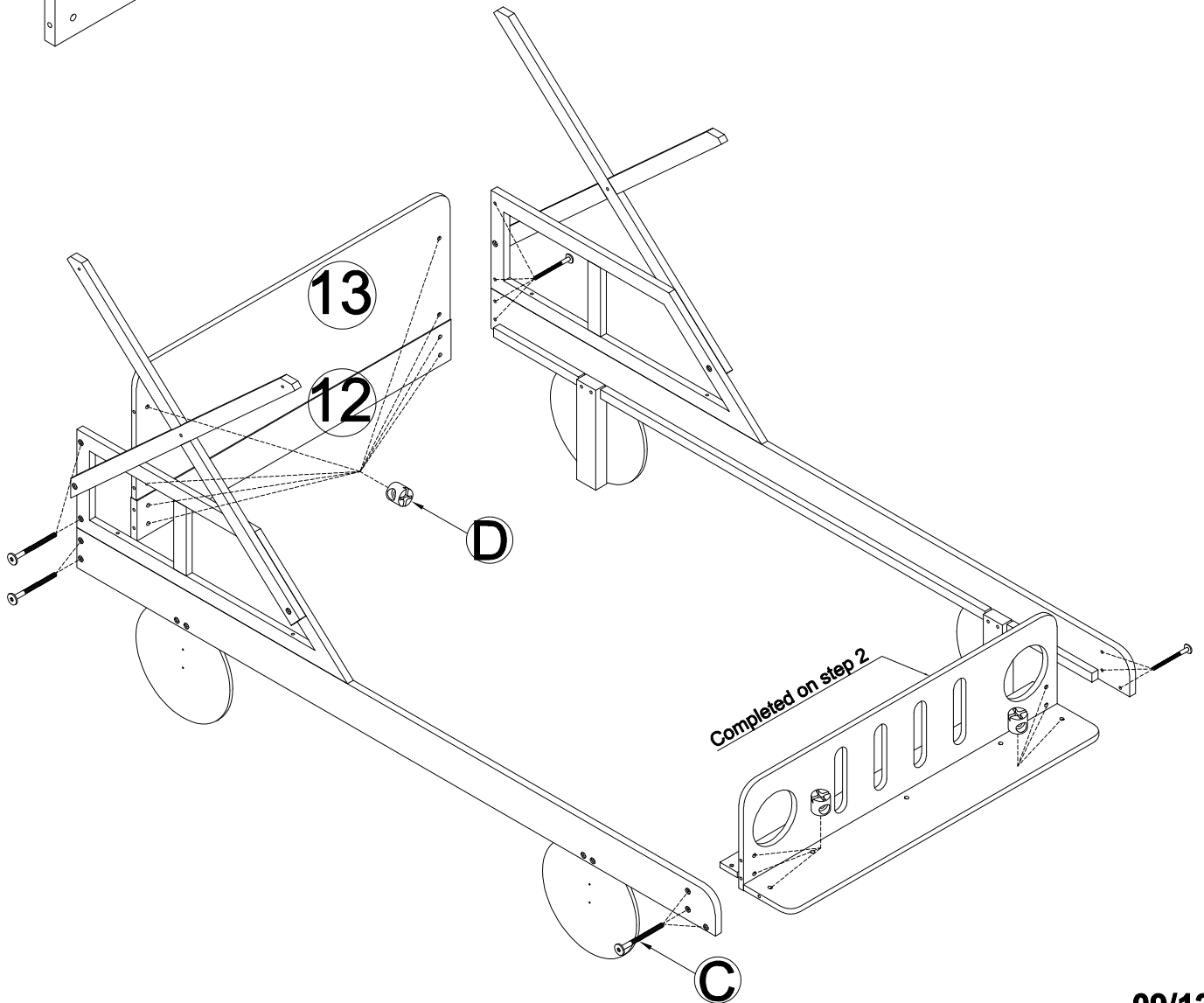
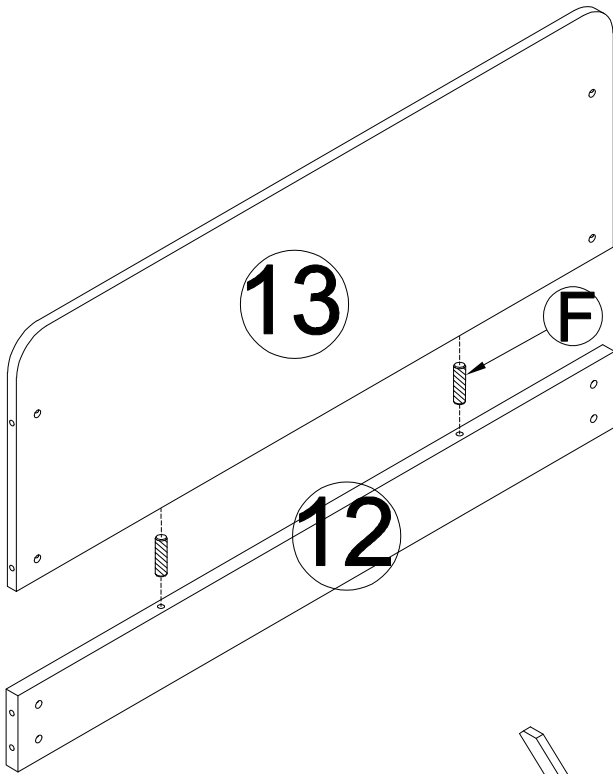
STEP 4-3:



G		B		H	
2pcs		2pcs		4pcs	

STEP 5:

C		D	
14pcs		14pcs	
		F	
		2pcs	

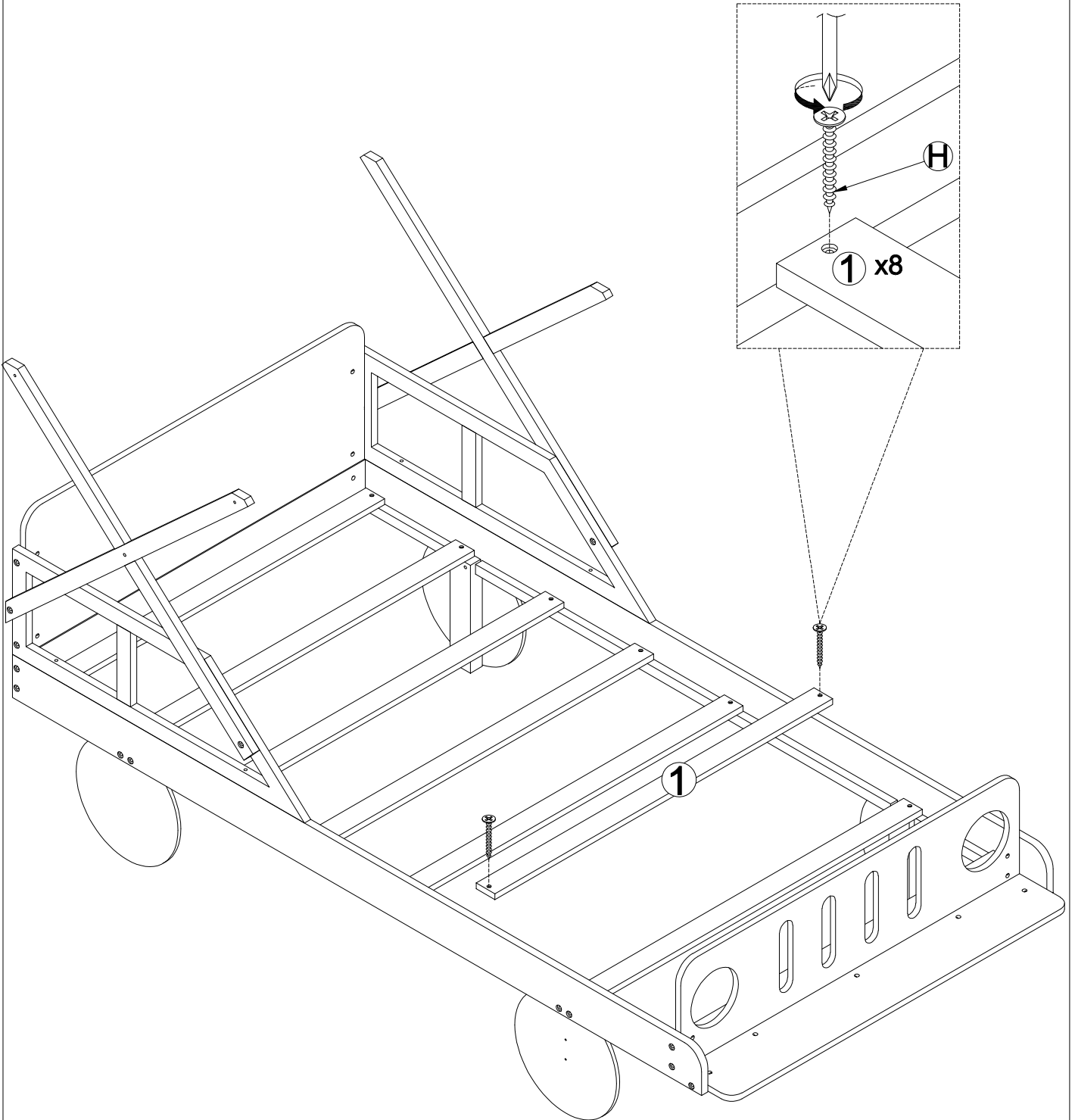


STEP 6:

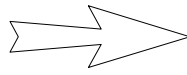
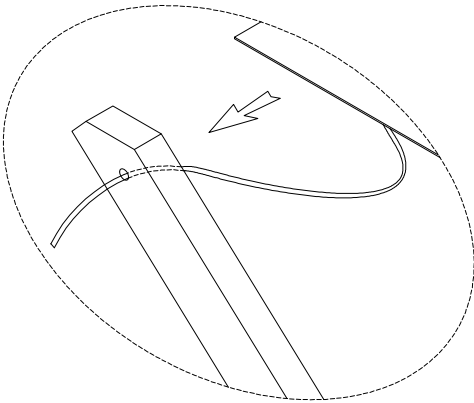
H



16pcs



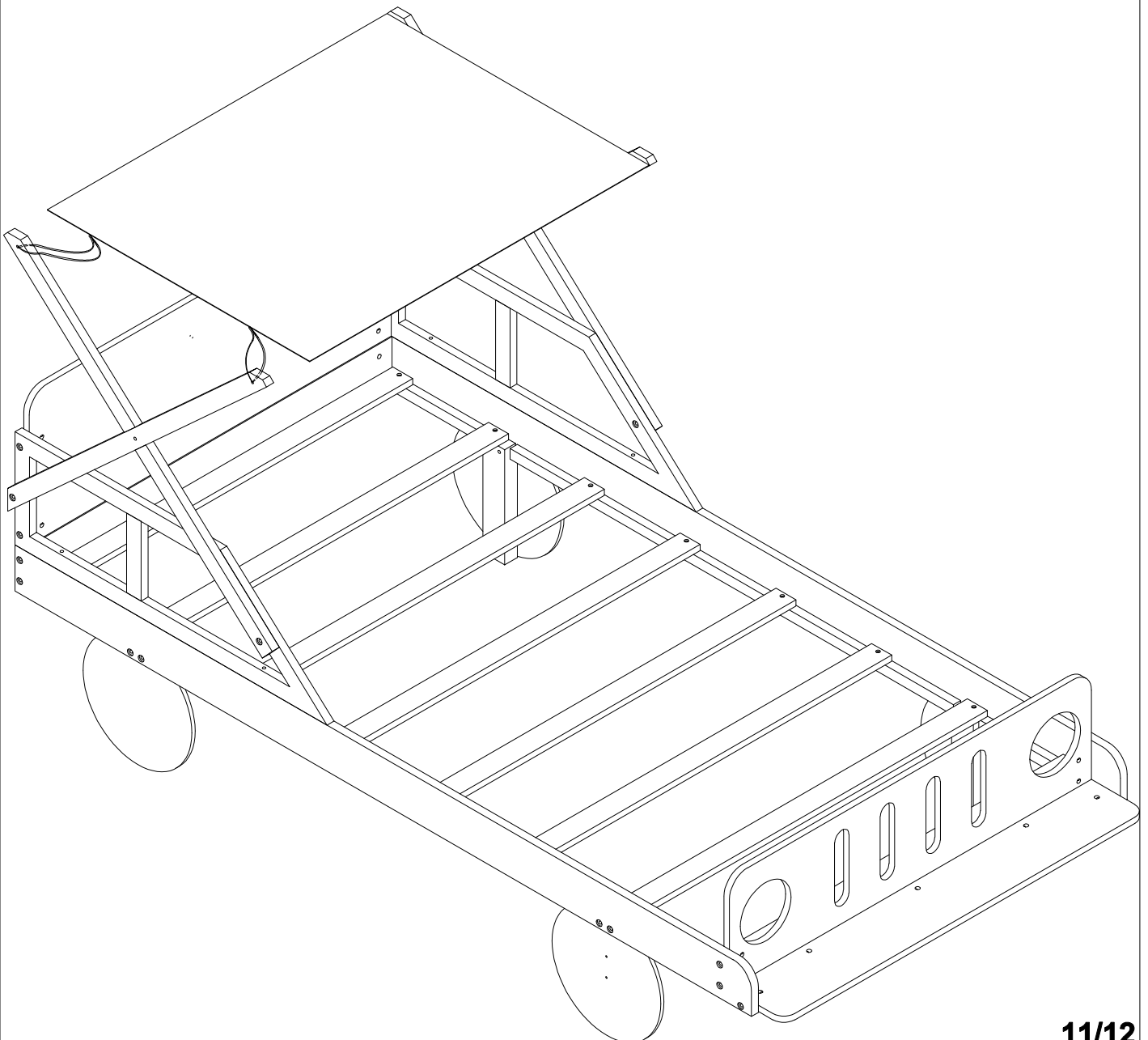
STEP 7: Fasten the cloth in place



STEP 7-1

thread the fabric cord into the hole

STEP 7-2: tie the 2 ends of the fabric cord together



CONGRARULATION. YOU HAVE COMPLETED THE BED

