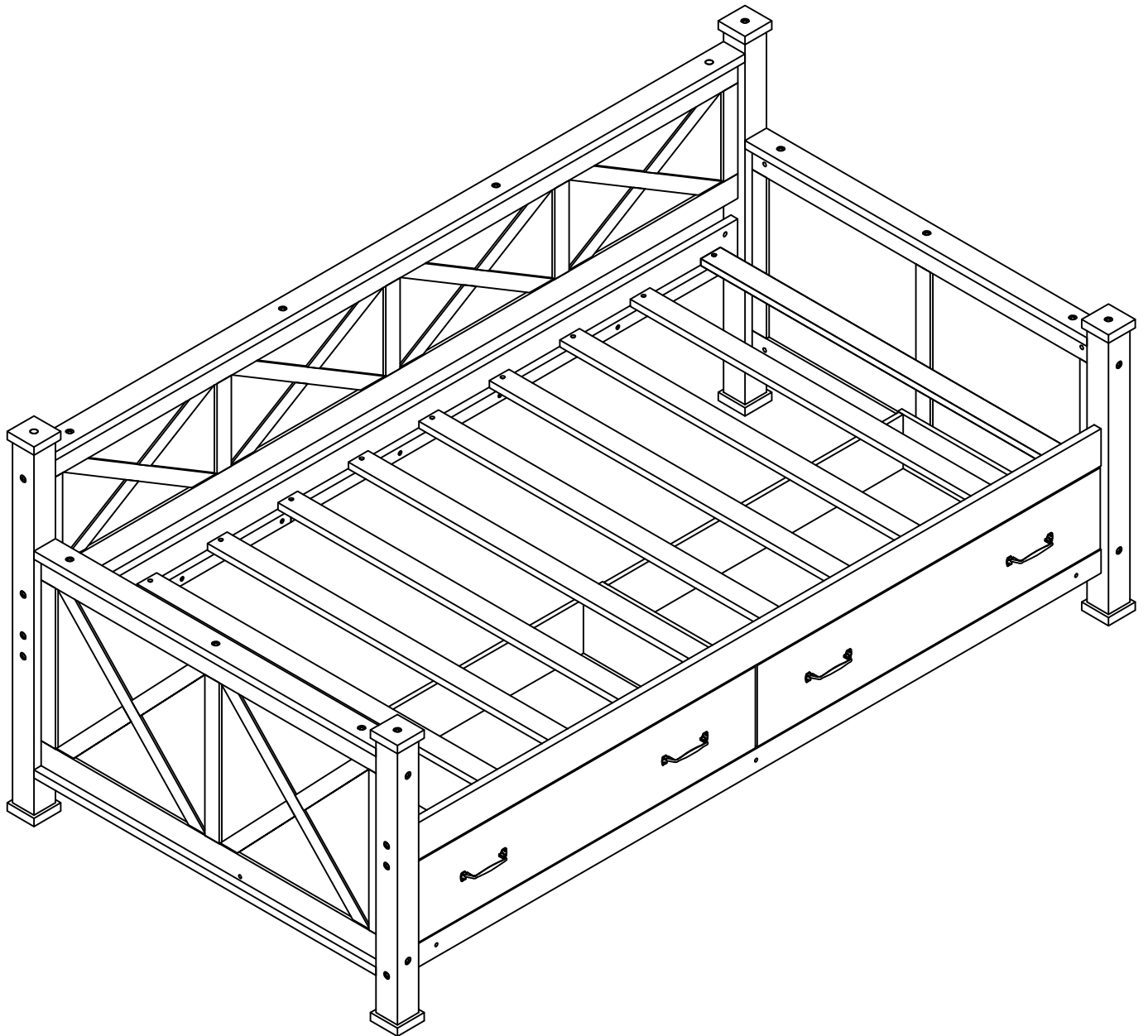
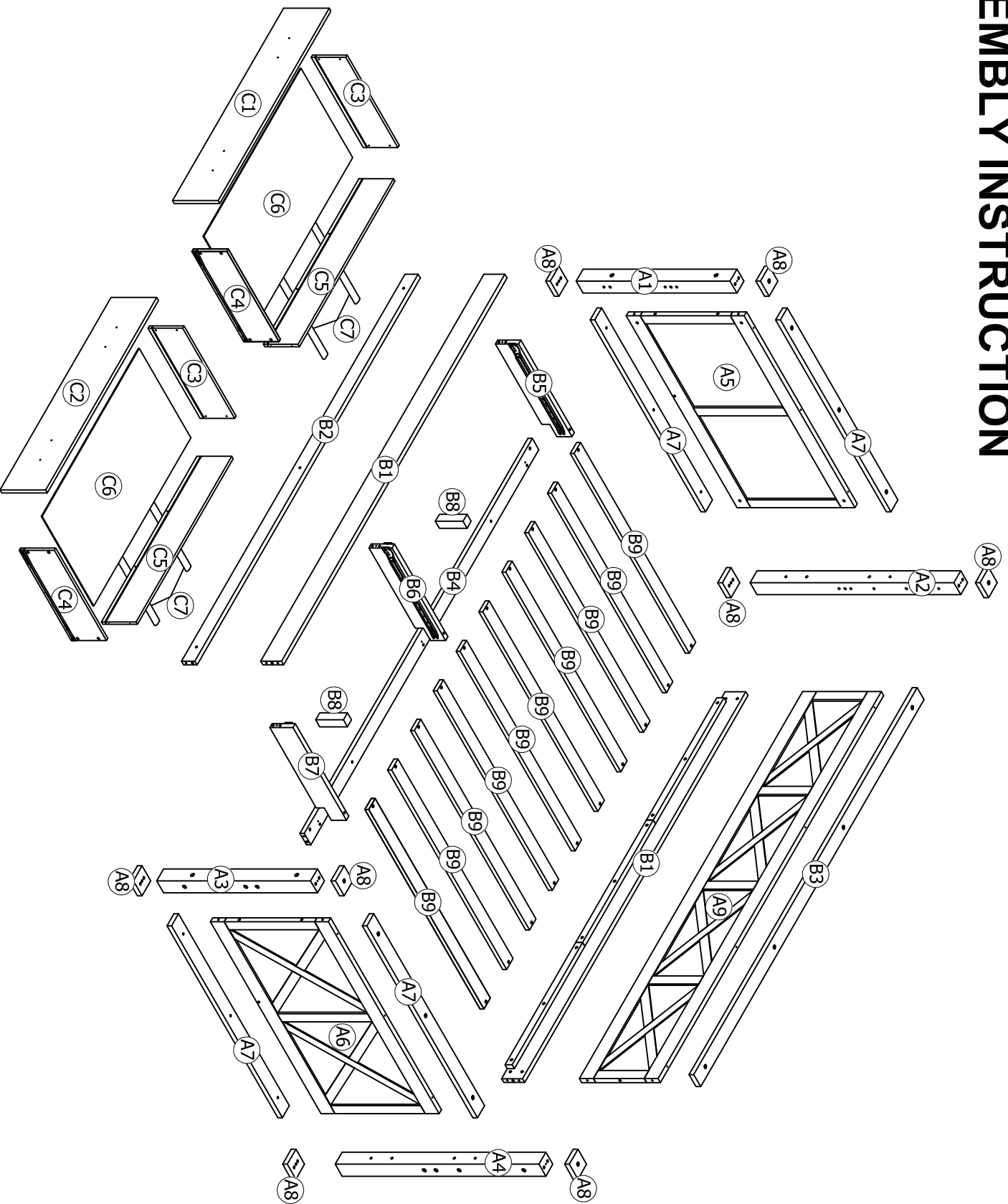


ASSEMBLY INSTRUCTION

SKU CODE: (WF311271-WF311272)



ASSEMBLY INSTRUCTION



Part List (Box 1-WF311271)

A2

Leg-1pc



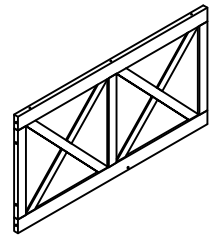
A4

Leg-1pc



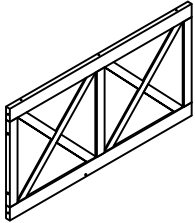
A5

Frames-1pc



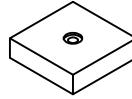
A6

Frames-1pc



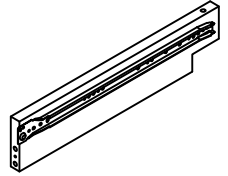
A8

WoodBar-8pcs



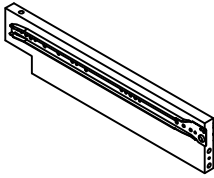
B5

WoodBar-1pc



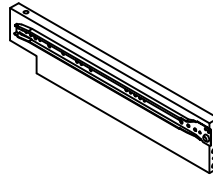
B6

WoodBar-1pc



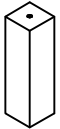
B7

WoodBar-1pc



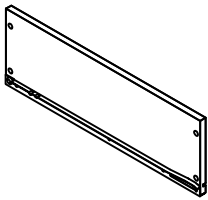
B8

WoodBar-2pcs



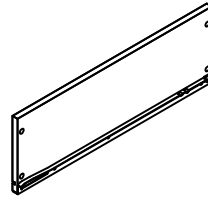
C3

Side Drawers-2pcs



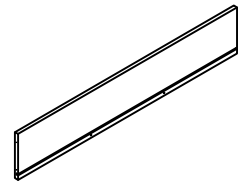
C4

Side Drawers-2pcs



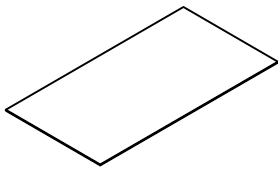
C5

Back Drawers-2pcs



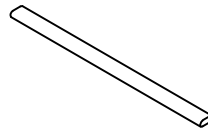
C6

Bottom Drawers-2pcs



C7

Support Drawers-4pcs



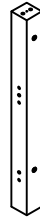
Part List & Hardware List (Box 2-WF311272)

A1



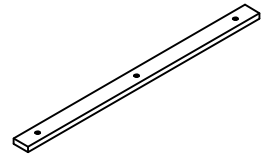
Leg-1pc

A3



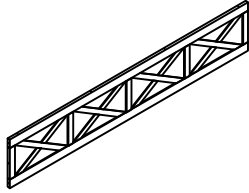
Leg-1pc

A7



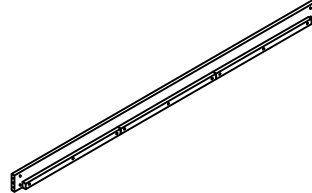
WoodBar-4pcs

A9



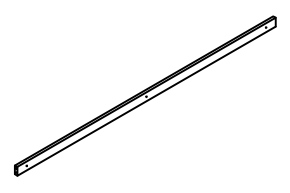
Frames-1pc

B1



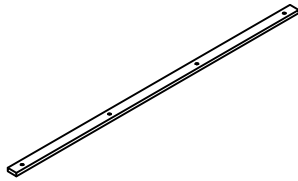
Side Rail-2pcs

B2



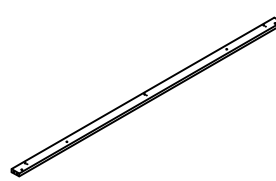
WoodBar-1pc

B3



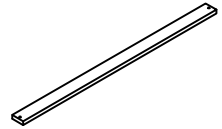
WoodBar-1pc

B4



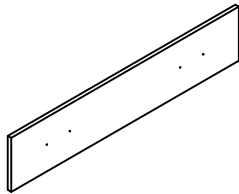
WoodBar-1pc

B9



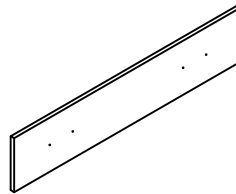
Slats-10pcs

C1



Front Drawers-1pc

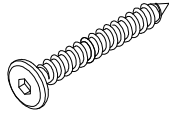
C2



Front Drawers-1pc

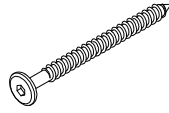
Hardware List (Box 2-WF311272)

1



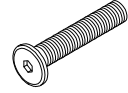
Screws 1/4" x40
27pcs

2



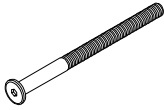
Screws 1/4" x70
3pcs

3



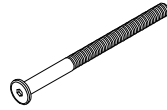
Ø1/4" x 30 mm
Hex-Head bolts 2pcs

4



Ø1/4" x 70 mm
Hex-Head bolts 2pcs

5



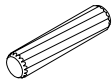
Ø1/4" x 100 mm
Hex-Head bolts 22pcs

6



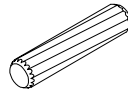
Ø1/4" x 13 mm
Horizontal-Hole bolts 24pcs

7



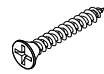
Ø8 x 30 mm
Wood dowel 36pcs

8



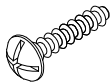
Ø10 x 40 mm
Wood dowel 16pcs

9



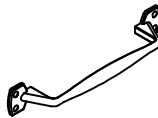
M4 x 30 mm
Wood Screws 40pcs

10



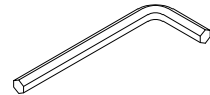
M4 x 15 mm
Wood Screws 8pcs

11

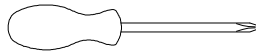


4pcs

12

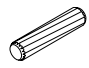
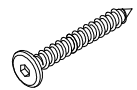


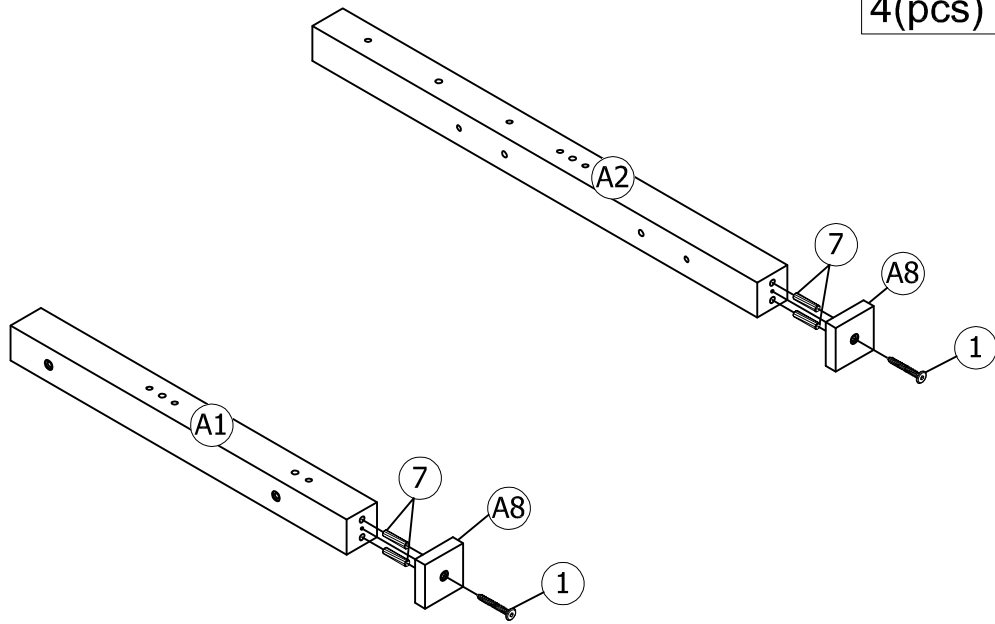
Allen Key 1pc



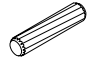
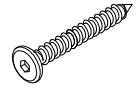
Assembly Tools Required (Not Included)

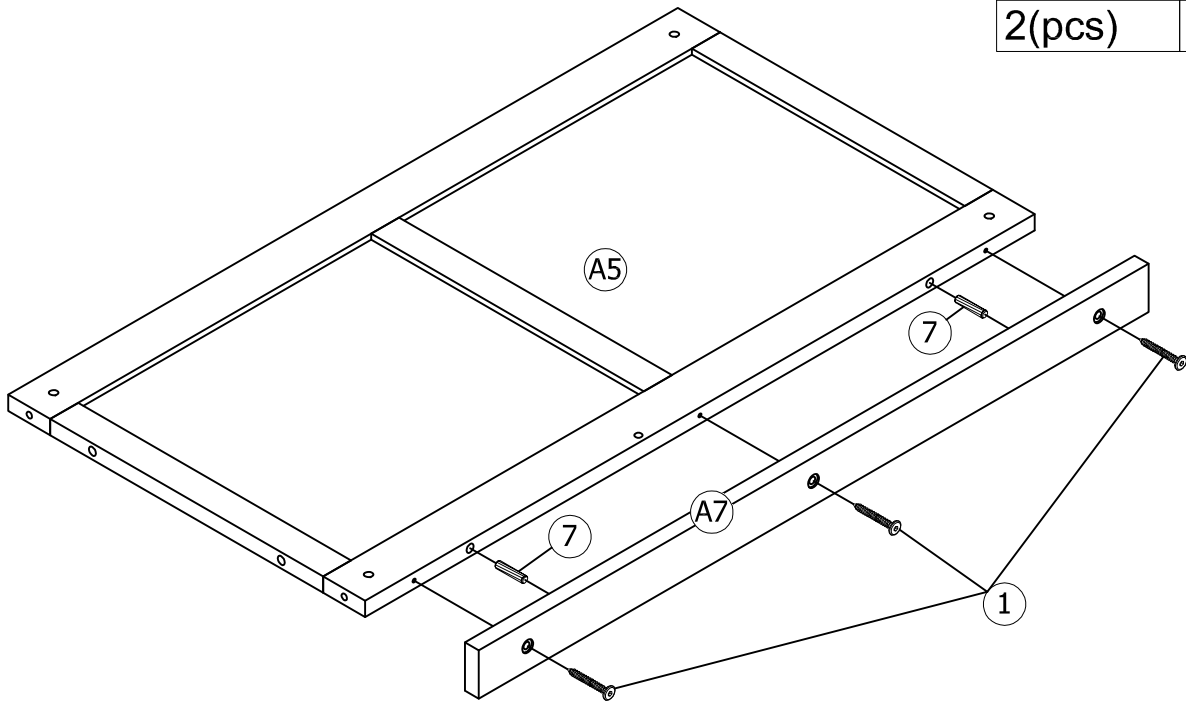
STEP1: Following below illustration.

7	1
	
4(pcs)	2(pcs)

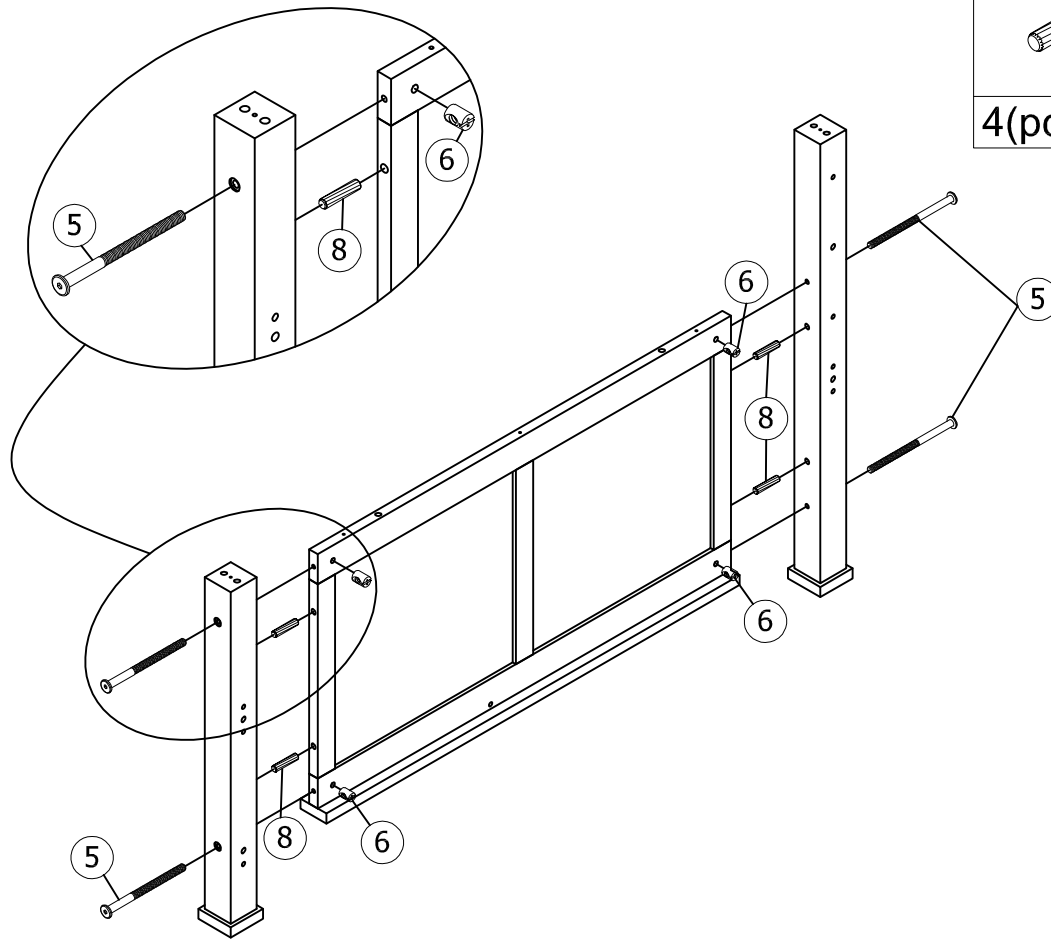


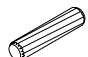
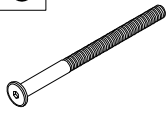

STEP2: Following below illustration.

7	1
	
2(pcs)	3(pcs)

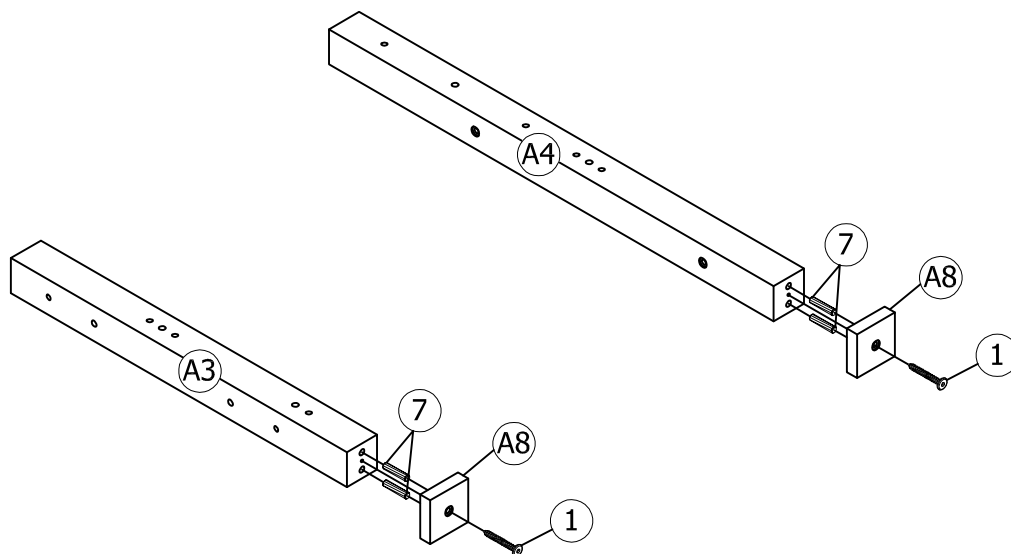


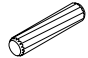
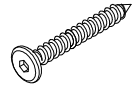
STEP3: Following below illustration.



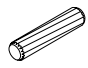
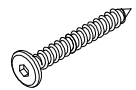
8	5
	
4(pcs)	4(pcs)
	6
	
	4(pcs)

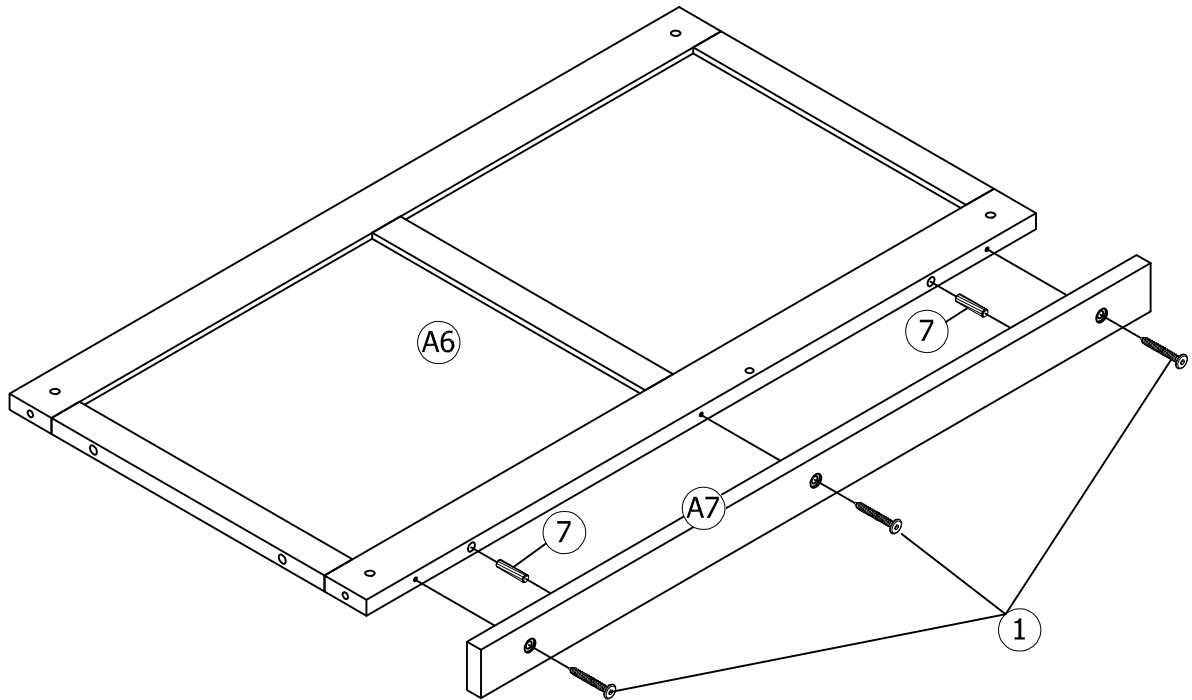
STEP4: Following below illustration.



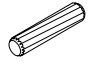
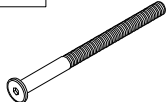

7	1
	
4(pcs)	2(pcs)

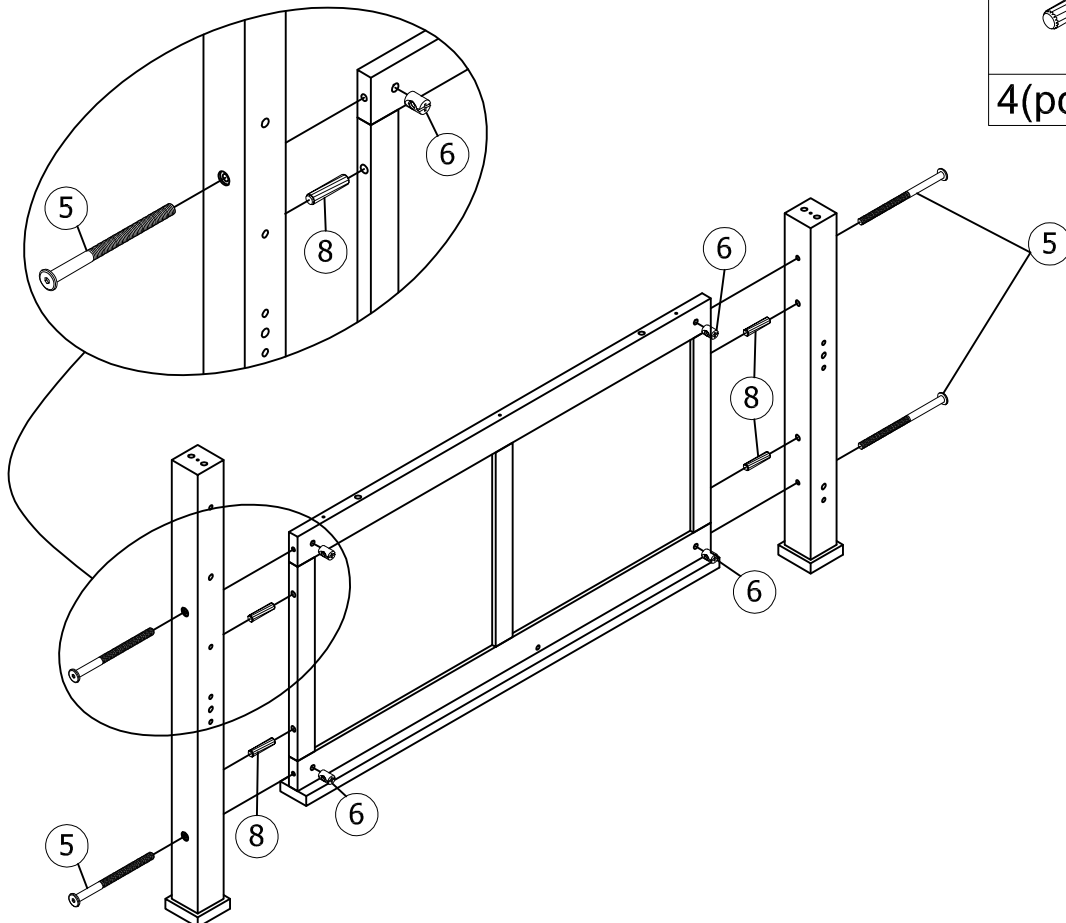
STEP5: Following below illustration.

7 	1 
2(pcs)	3(pcs)

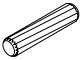

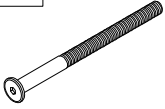


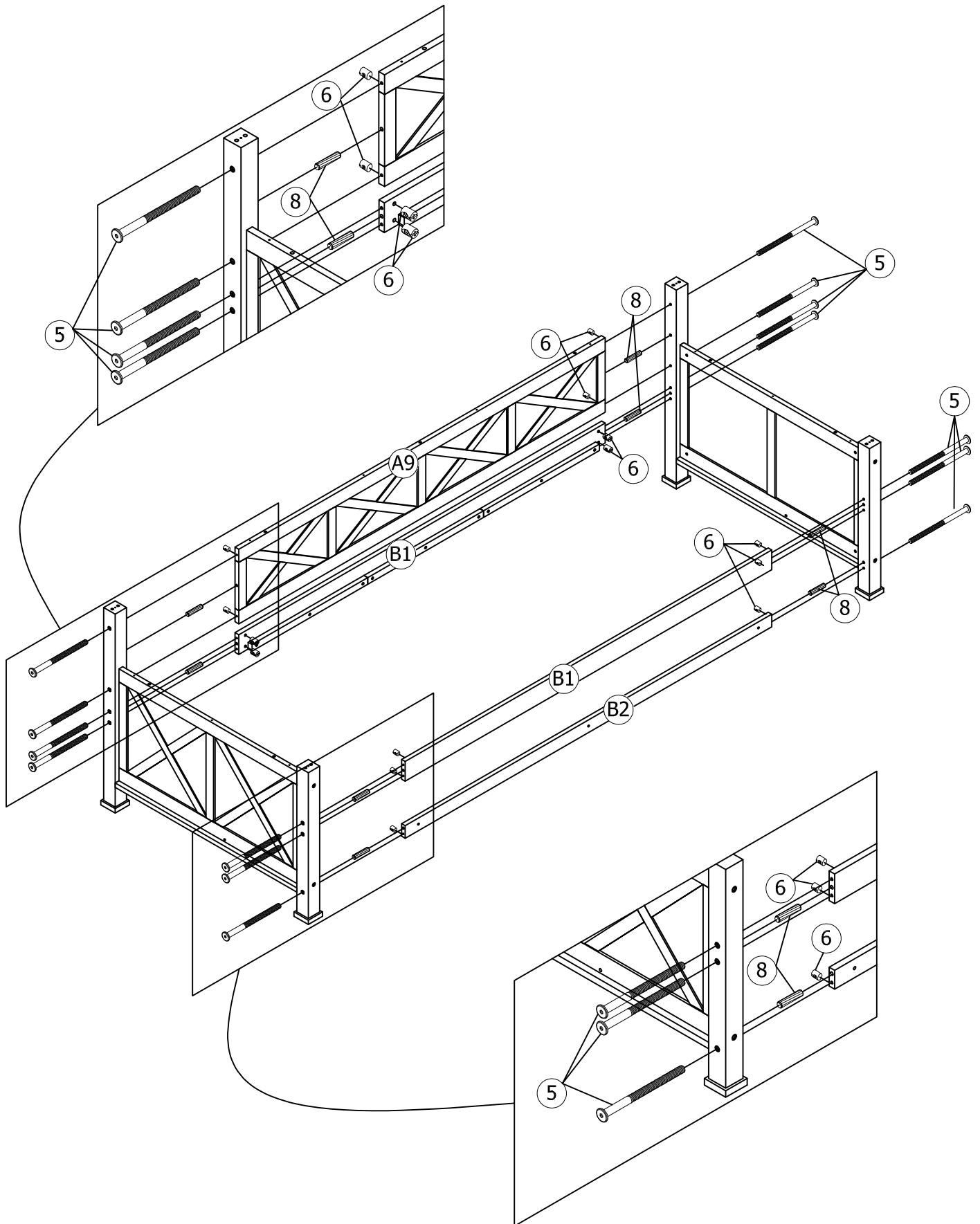
STEP6: Following below illustration.

8 	5 
4(pcs)	4(pcs)
6 	
4(pcs)	



STEP7: Following below illustration.

8	6	5
		
8(pcs)	14(pcs)	14(pcs)



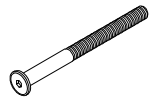
STEP8: Following below illustration.

6

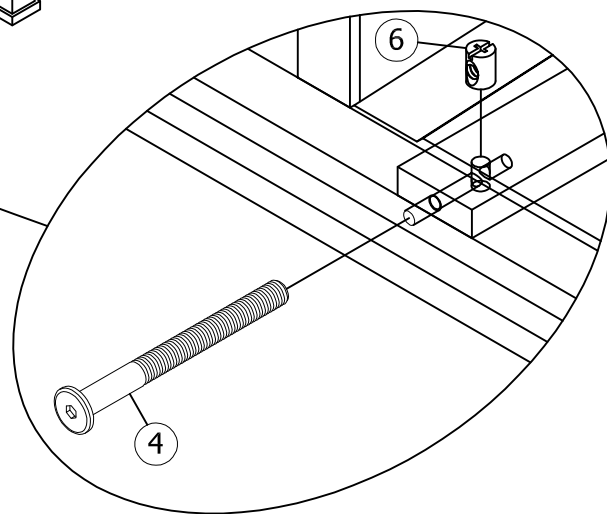
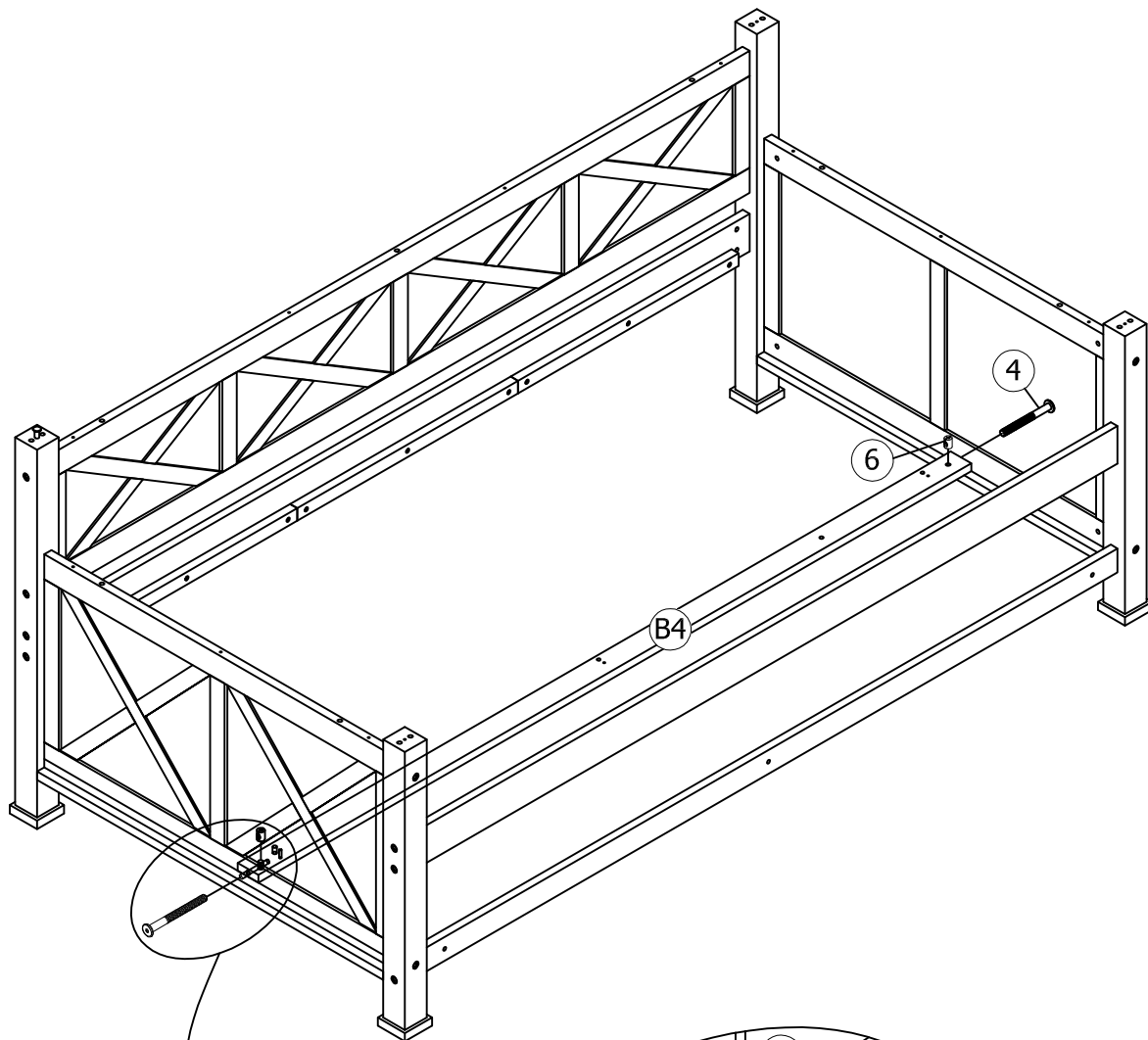


2(pcs)

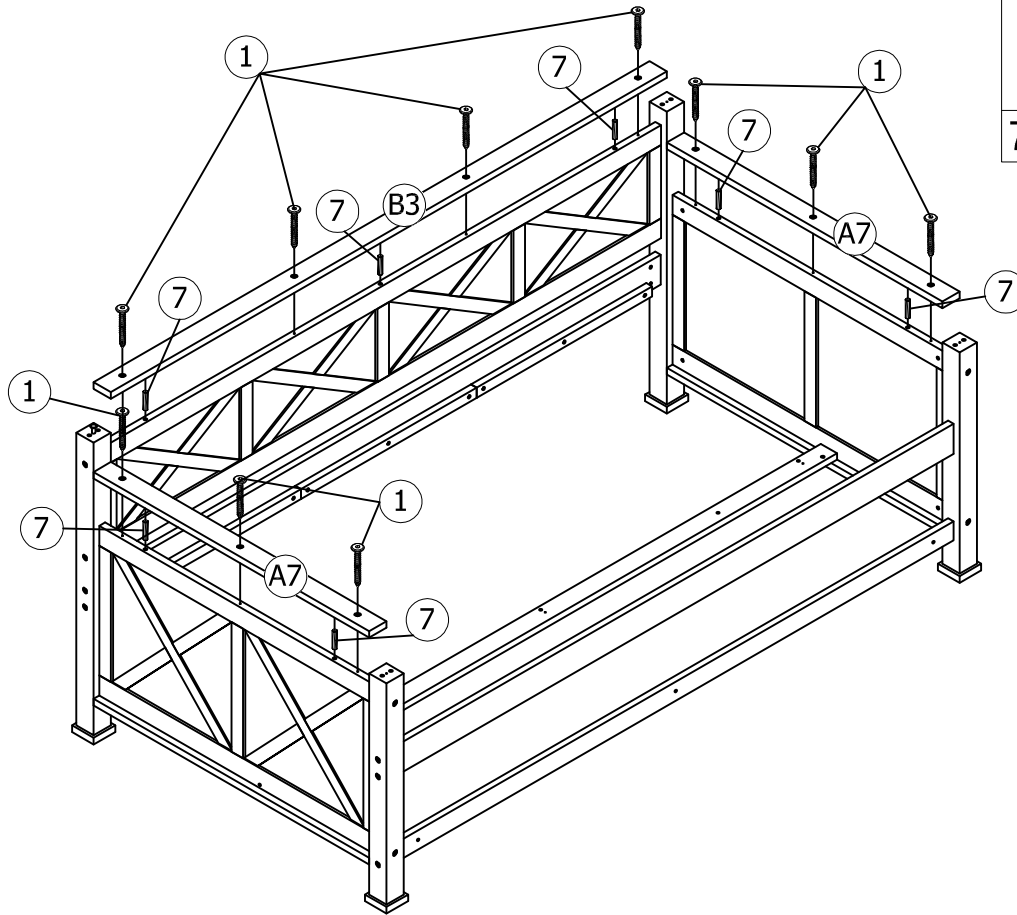
4

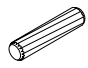
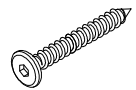


2(pcs)

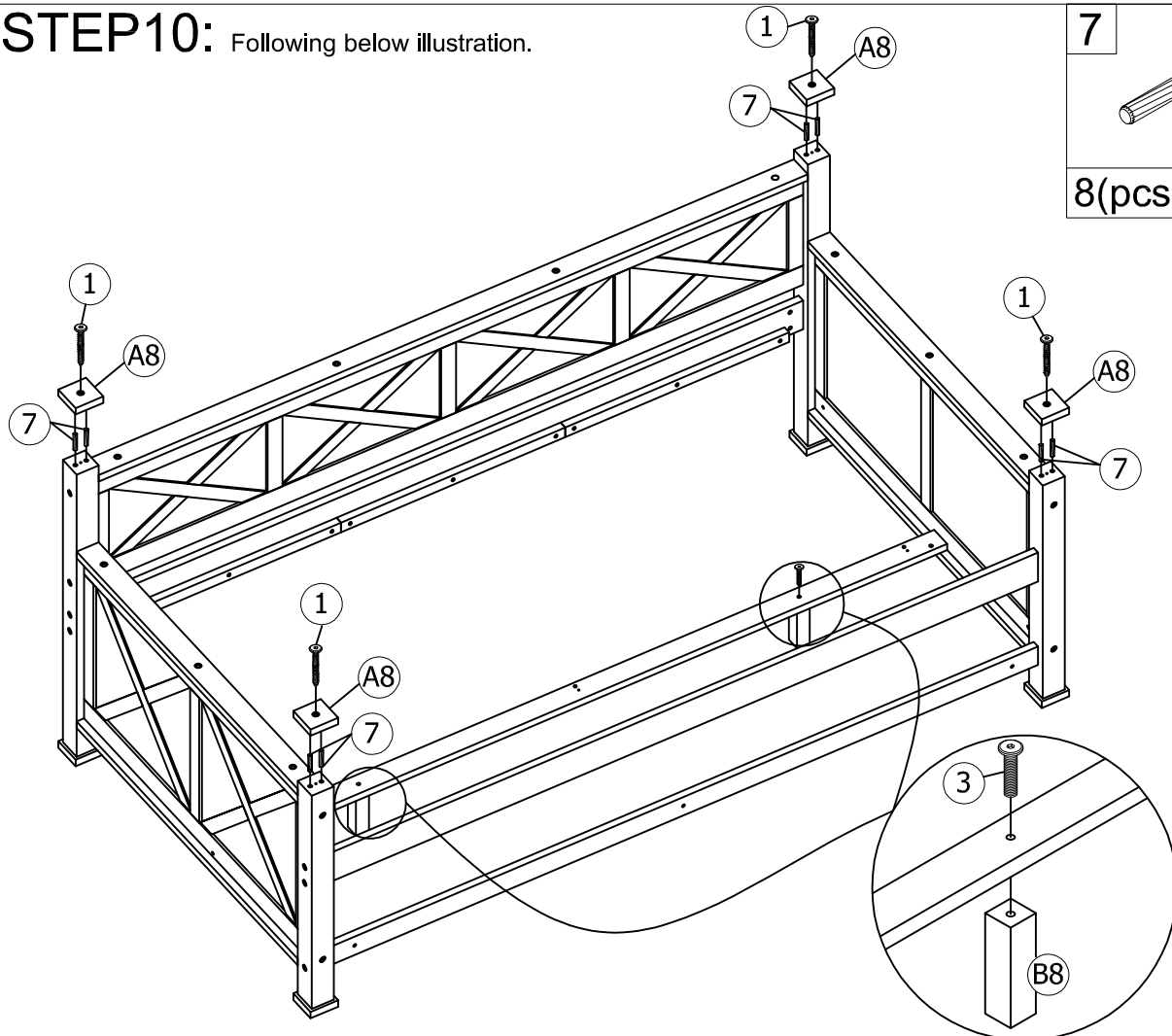


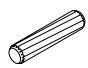
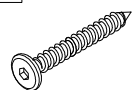
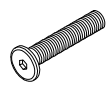
STEP9: Following below illustration.



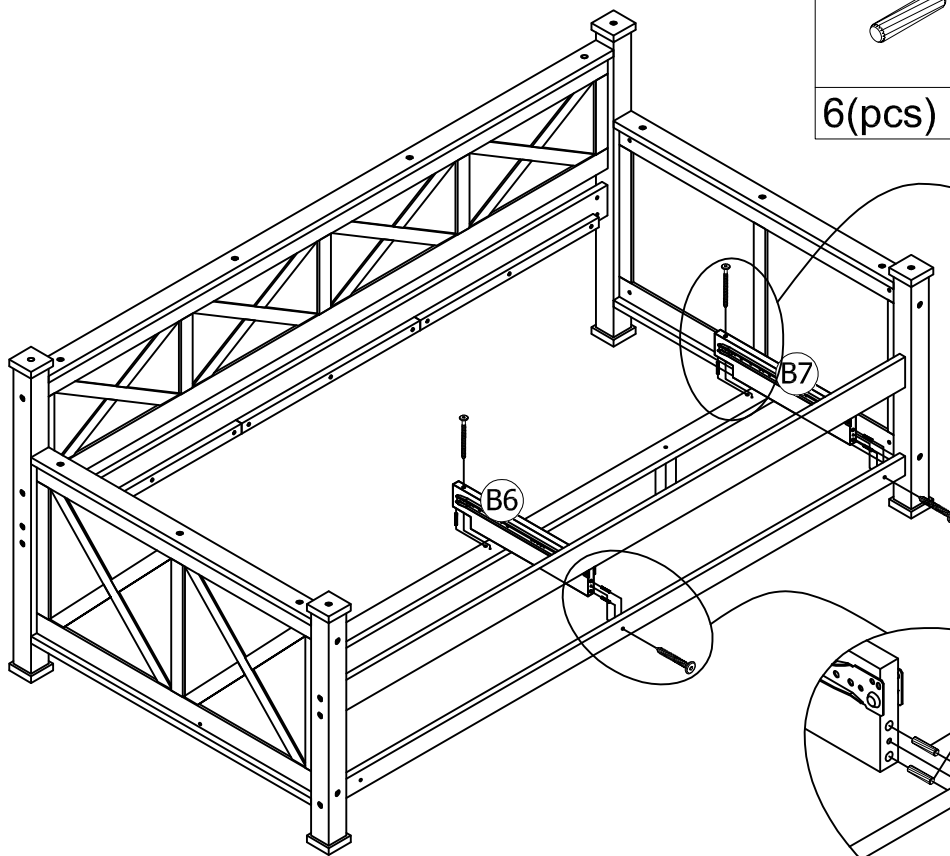
7	1
	
7(pcs)	10(pcs)

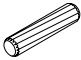

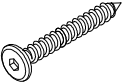
STEP10: Following below illustration.

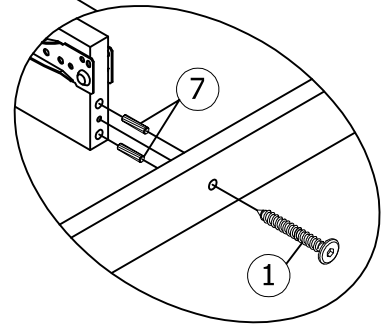
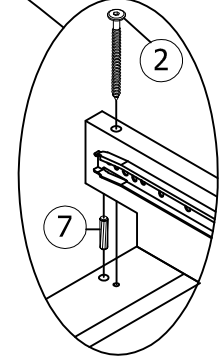


7	1
	
8(pcs)	4(pcs)
	3
	
	2(pcs)

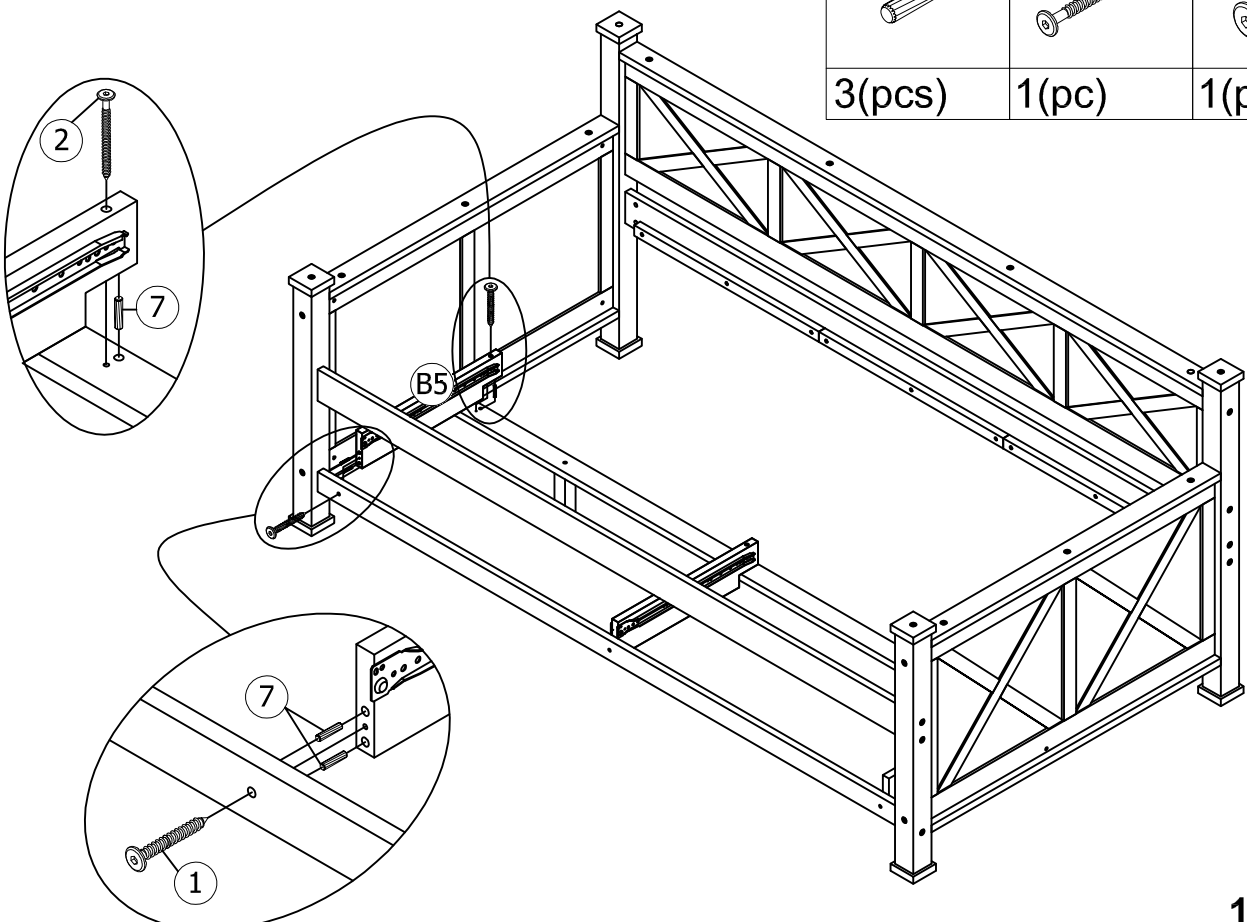
STEP11: Following below illustration.

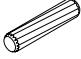
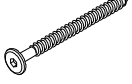



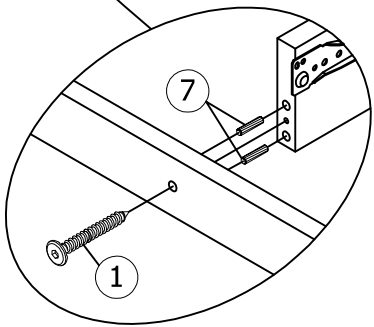
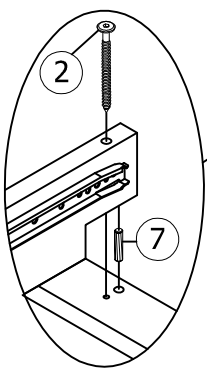
7	2	1
		
6(pcs)	2(pcs)	2(pcs)



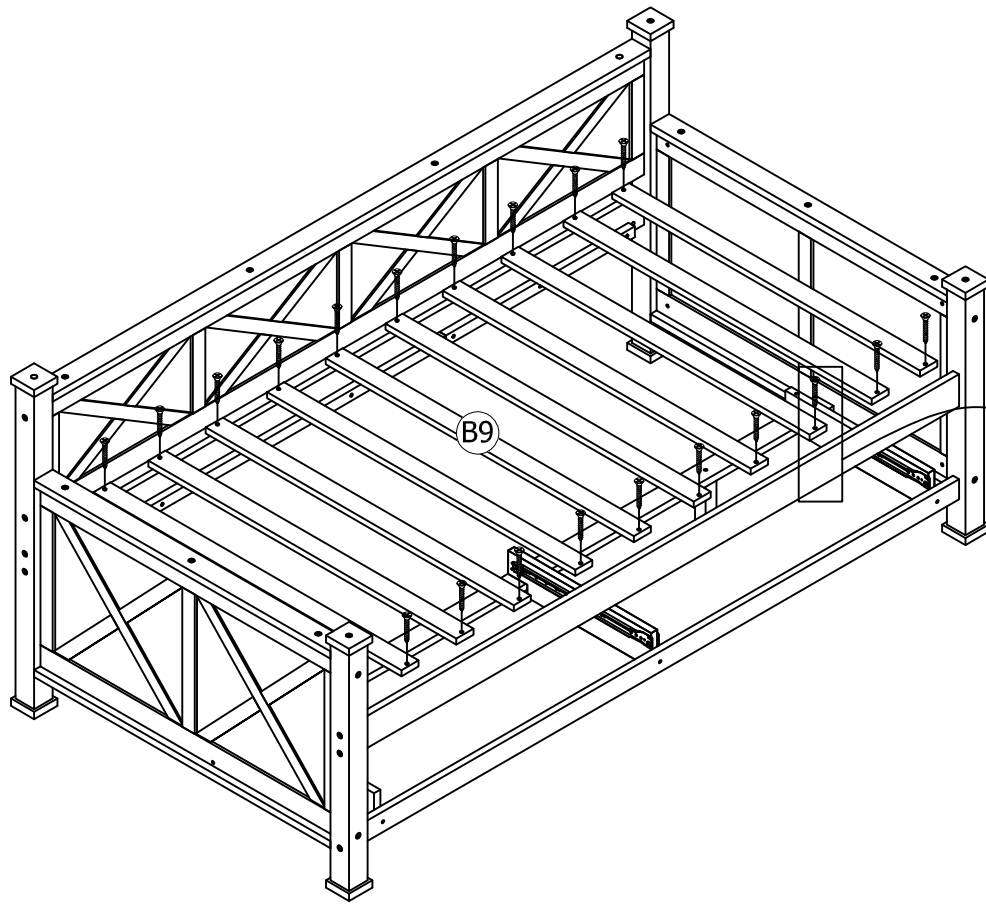
STEP12: Following below illustration.



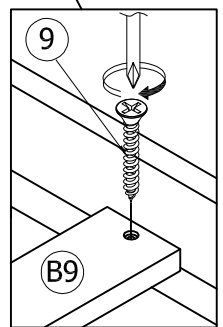
7	2	1
		
3(pcs)	1(pc)	1(pc)



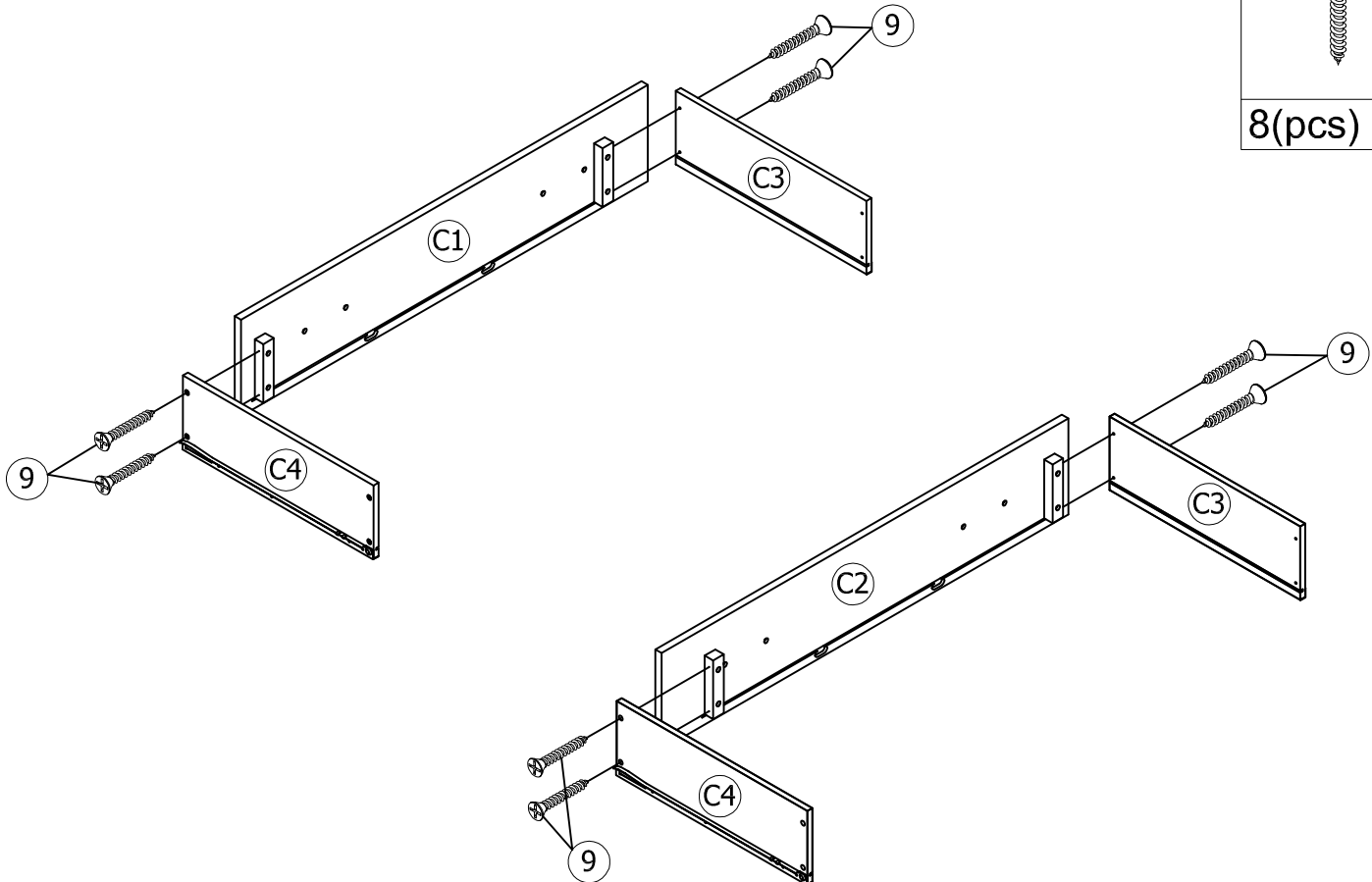
STEP13: Following below illustration.



9
20(pcs)

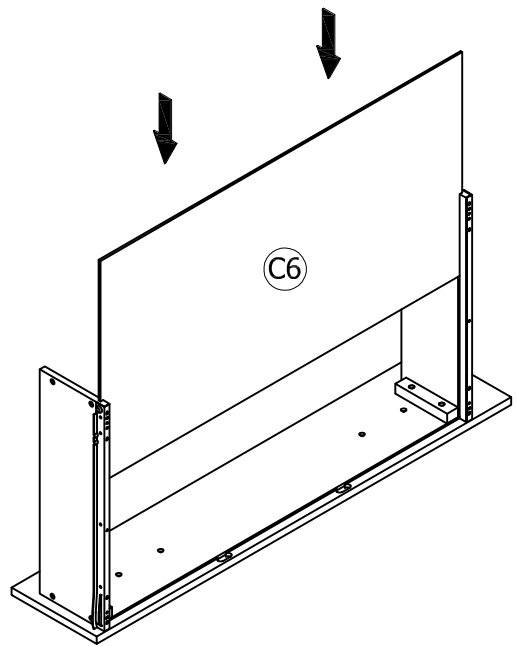
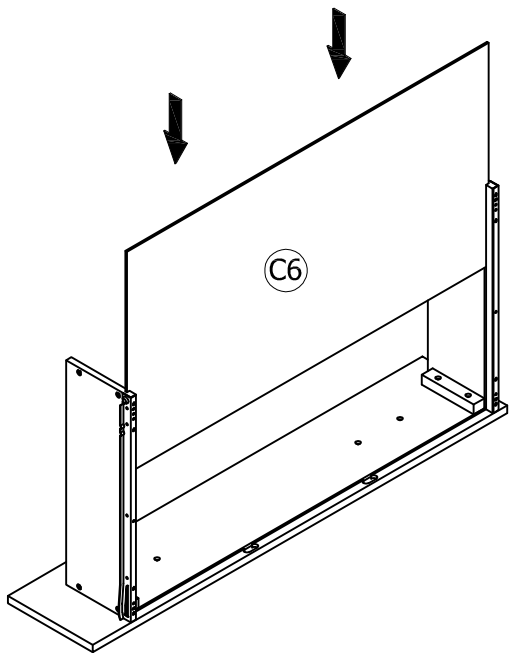


STEP14: Following below illustration.

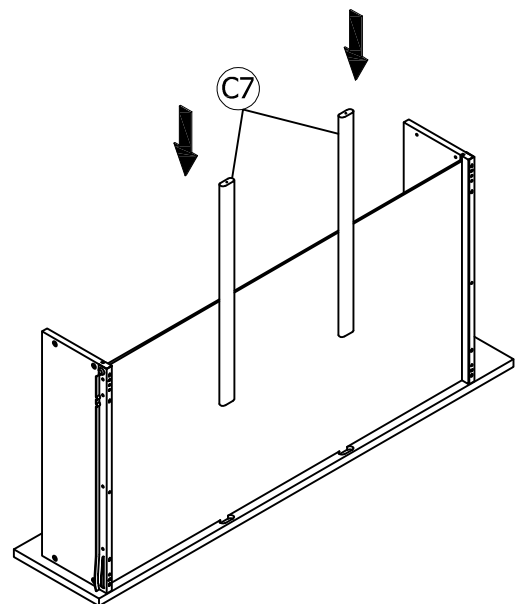
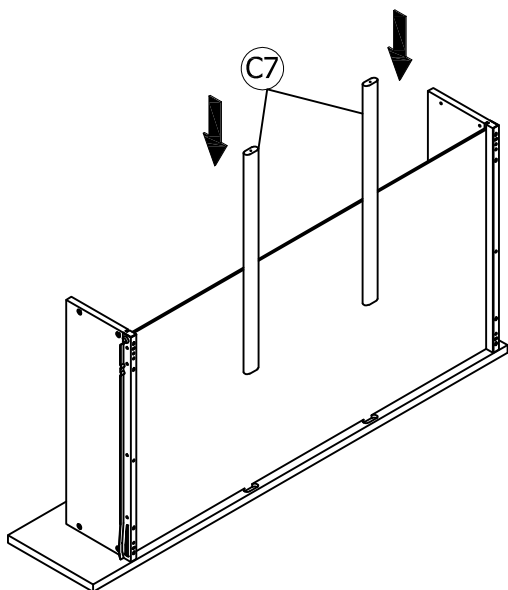


9
8(pcs)


STEP15: Following below illustration.

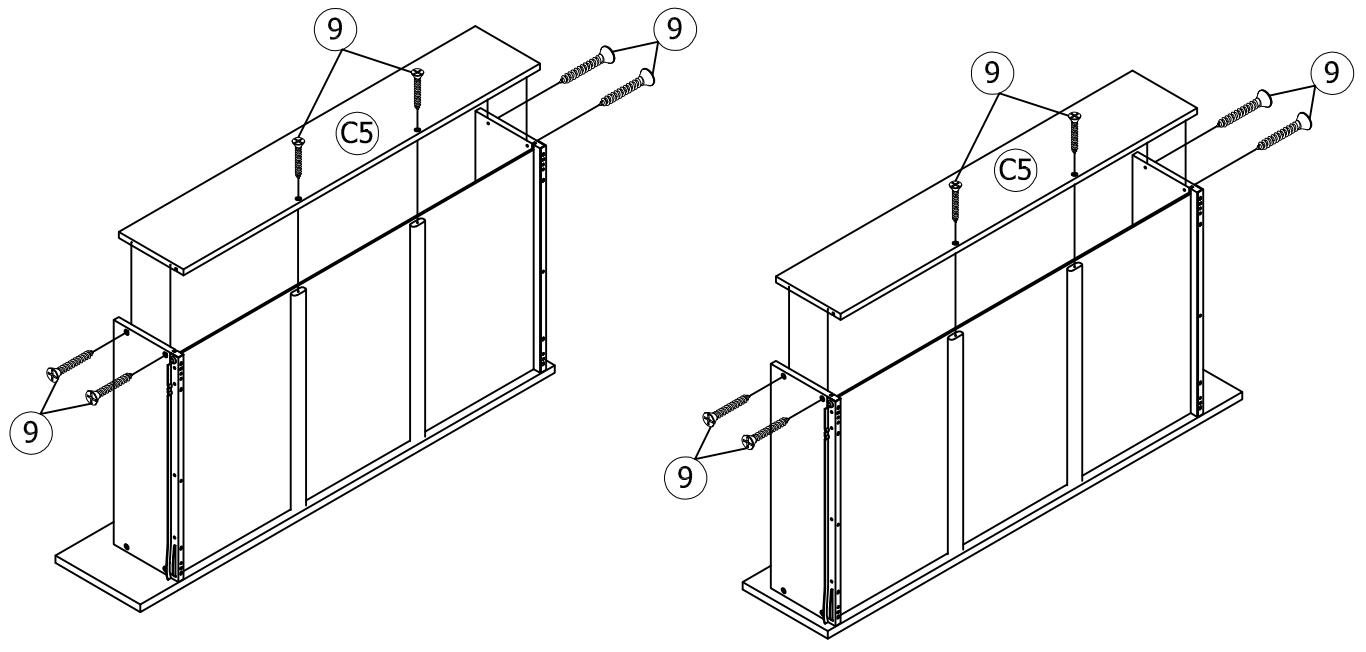


STEP16: Following below illustration.

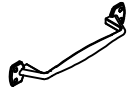
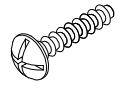


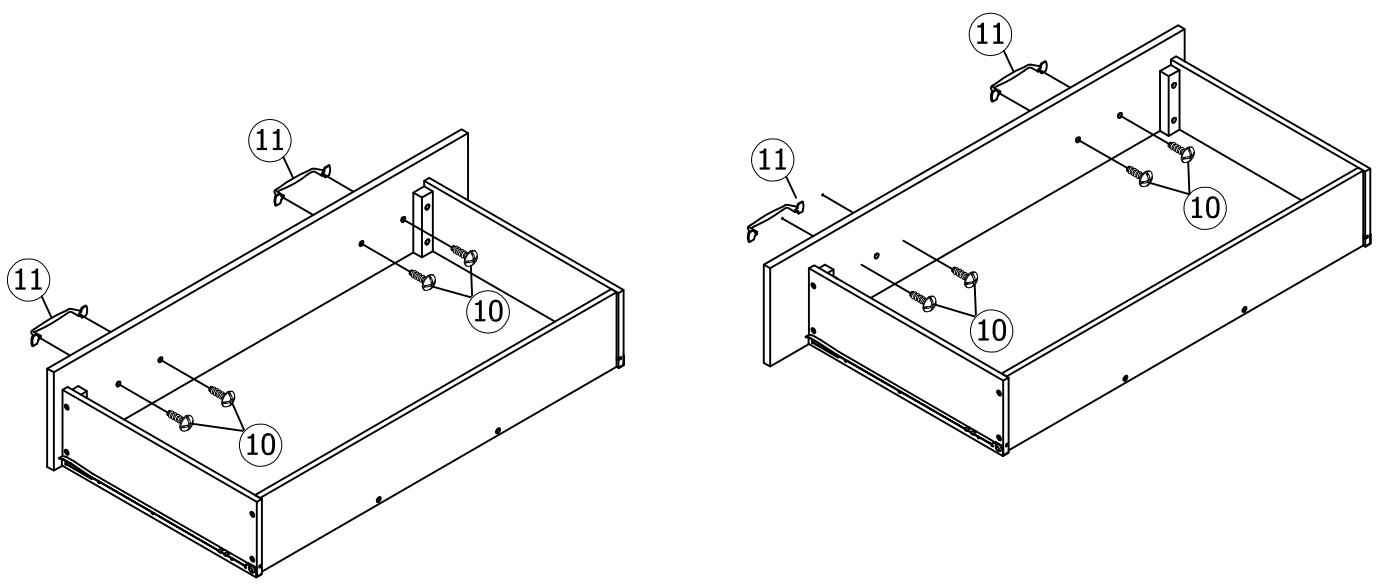
STEP17: Following below illustration.

9	
12(pcs)	



STEP18: Following below illustration.

11		10	
4(pcs)		8(pcs)	



STEP19: Following below illustration.

