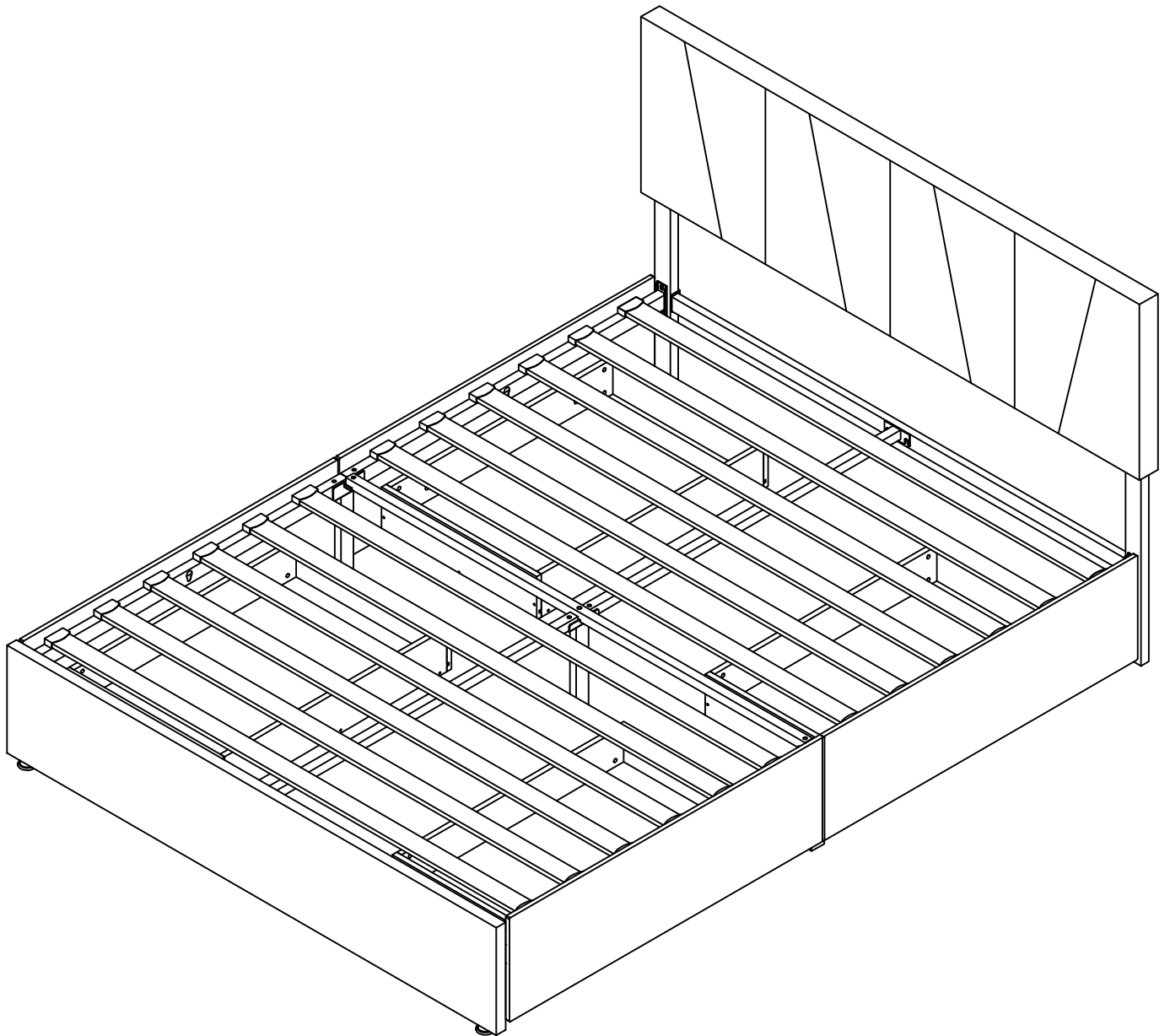


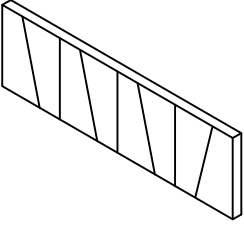
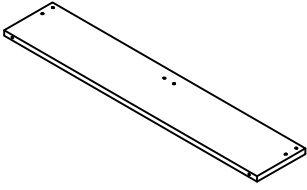
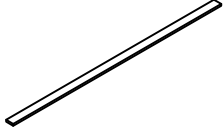
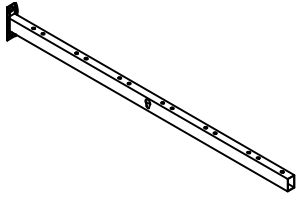
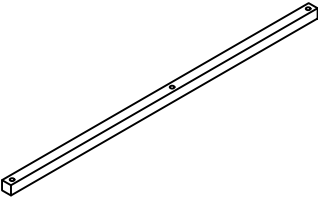
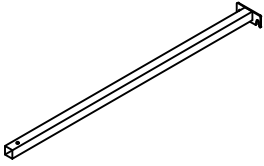
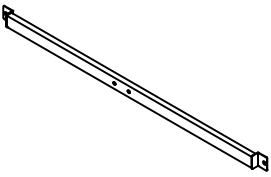
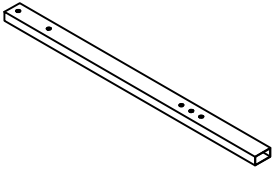
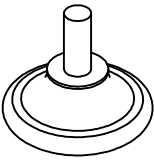
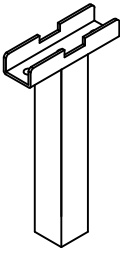
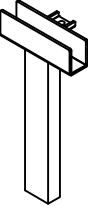
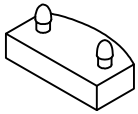
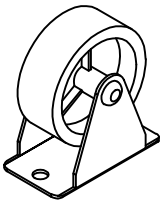
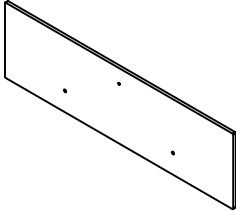
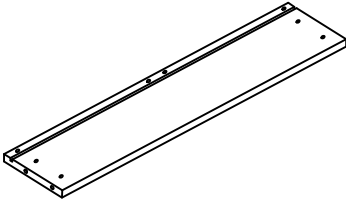
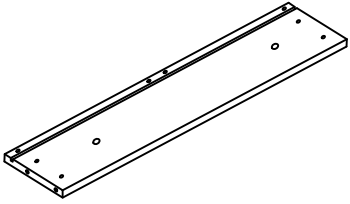
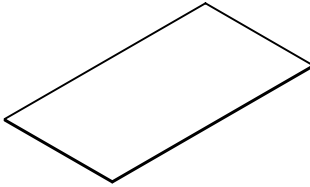
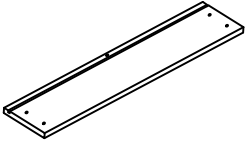
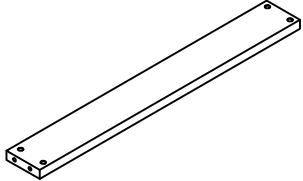
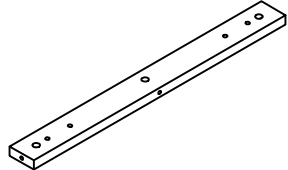
Assembly Instruction

WF309909/WF309910




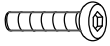
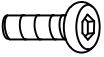

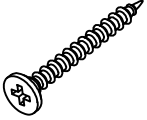

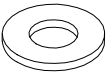


NOTE: Please do not completely tighten all the hardware until the entire assembly is complete!



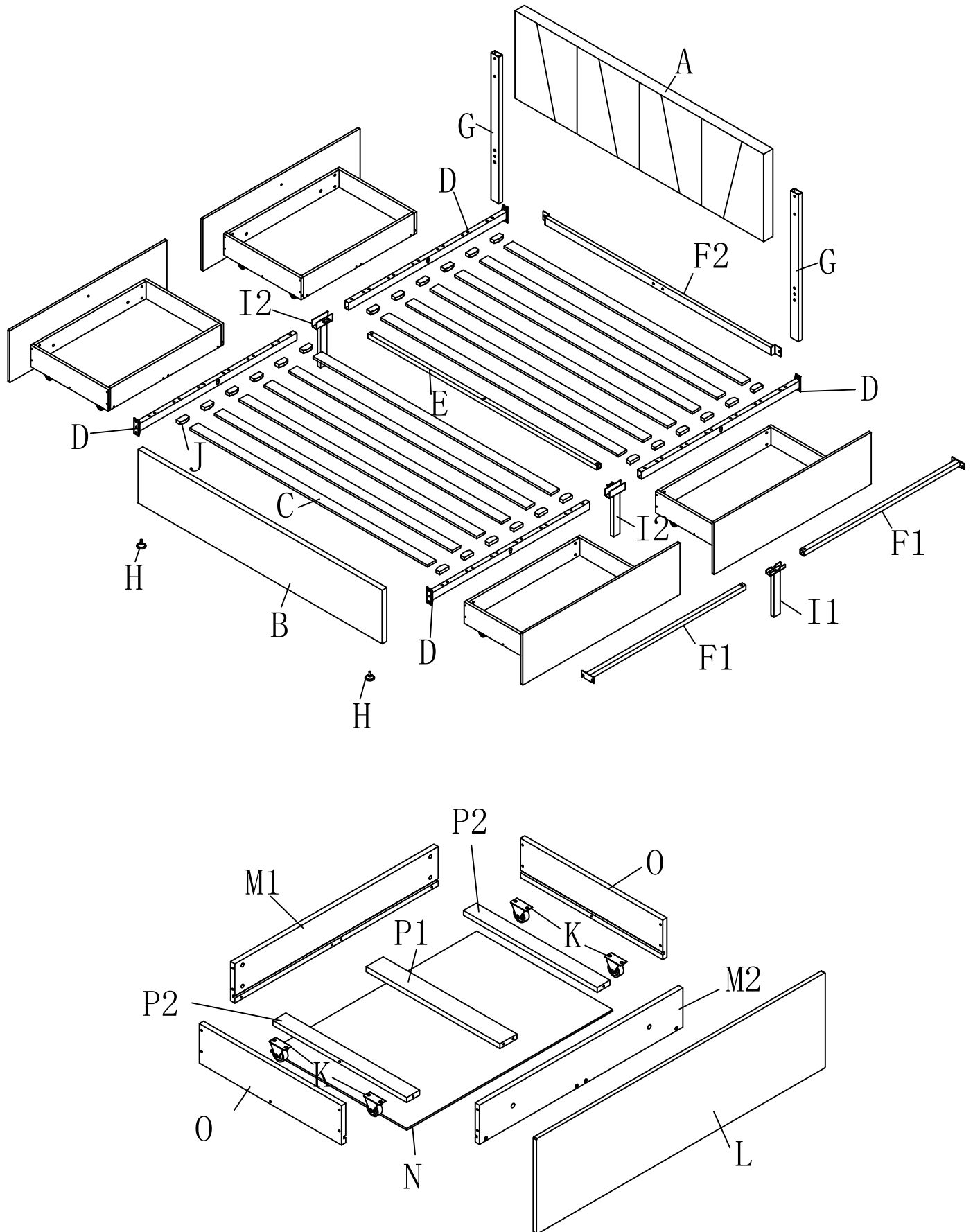
Part list

<p>A 1PC</p>  <p>bedside</p>	<p>B 1PC</p>  <p>Bed tail</p>	<p>C 12PCS</p>  <p>lath</p>	<p>D 4PCS</p>  <p>Bed beam</p>
<p>E 1PC</p>  <p>cross bar</p>	<p>F1 2PCS</p>  <p>Middle bed beam</p>	<p>F2 1PC</p>  <p>Bedside crossbar</p>	<p>G 2PCS</p>  <p>Bedside foot tube</p>
<p>H 2PCS</p>  <p>Legs</p>	<p>I1 1PC</p>  <p>Middle support foot</p>	<p>I2 2PCS</p>  <p>Lateral foot</p>	<p>J 24PCS</p>  <p>Plastic caps(Single)</p>
<p>K 16PCS</p>  <p>Casters</p>	<p>L 4PCS</p>  <p>Drawer Panel</p>	<p>M1 4PCS</p>  <p>Drawer back panel</p>	<p>M2 4PCS</p>  <p>Drawer front panel</p>
<p>N 4PCS</p>  <p>Drawer bottom plate</p>	<p>O 8PCS</p>  <p>Drawer side panel</p>	<p>P1 4PCS</p>  <p>Drawer reinforcement plate</p>	<p>P2 8PCS</p>  <p>Drawer bud board</p>



Hardware list

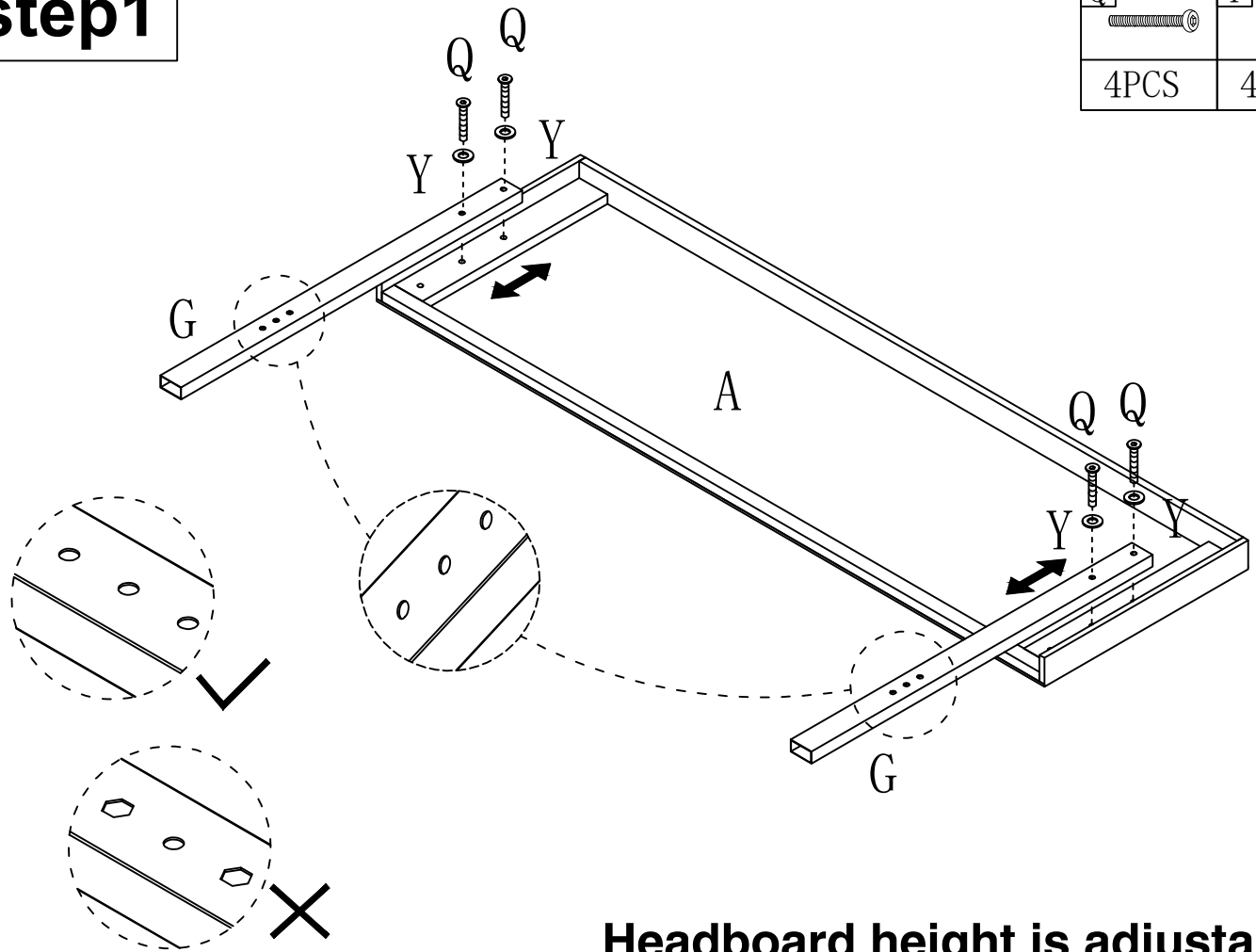
Q	11PCS	R	4PCS	S	18PCS	T	2PCS
							
M8*50mm		M8*40mm		M8*27mm		M8*16mm	
U	32PCS	V	4PCS	W	72PCS	X	72PCS
							
M6*12mm		M8*12mm		M5*55mm			
Y	18PCS	Z1	1PC	Z2	1PC		
							
φ22*φ8.5		M8		M6			

Detail View




step1

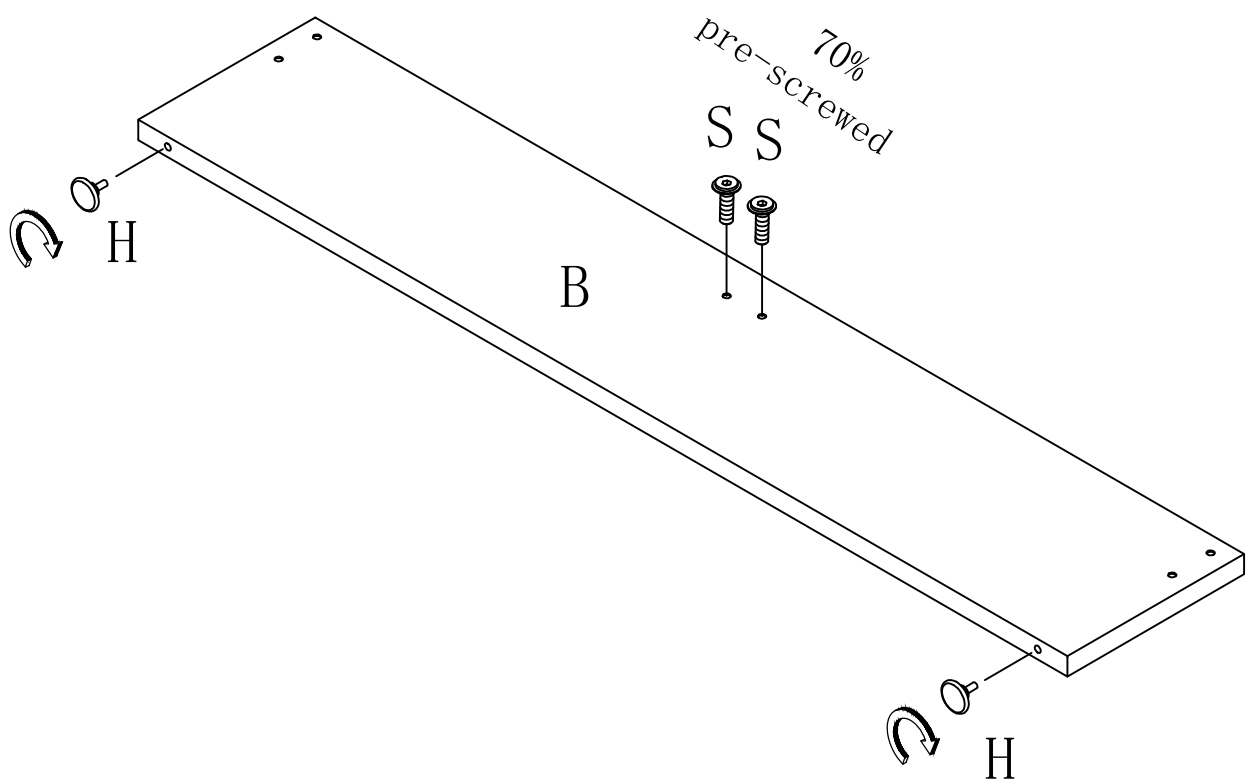
Q	Y
	
4PCS	4PCS



Headboard height is adjustable

step2

S

2PCS

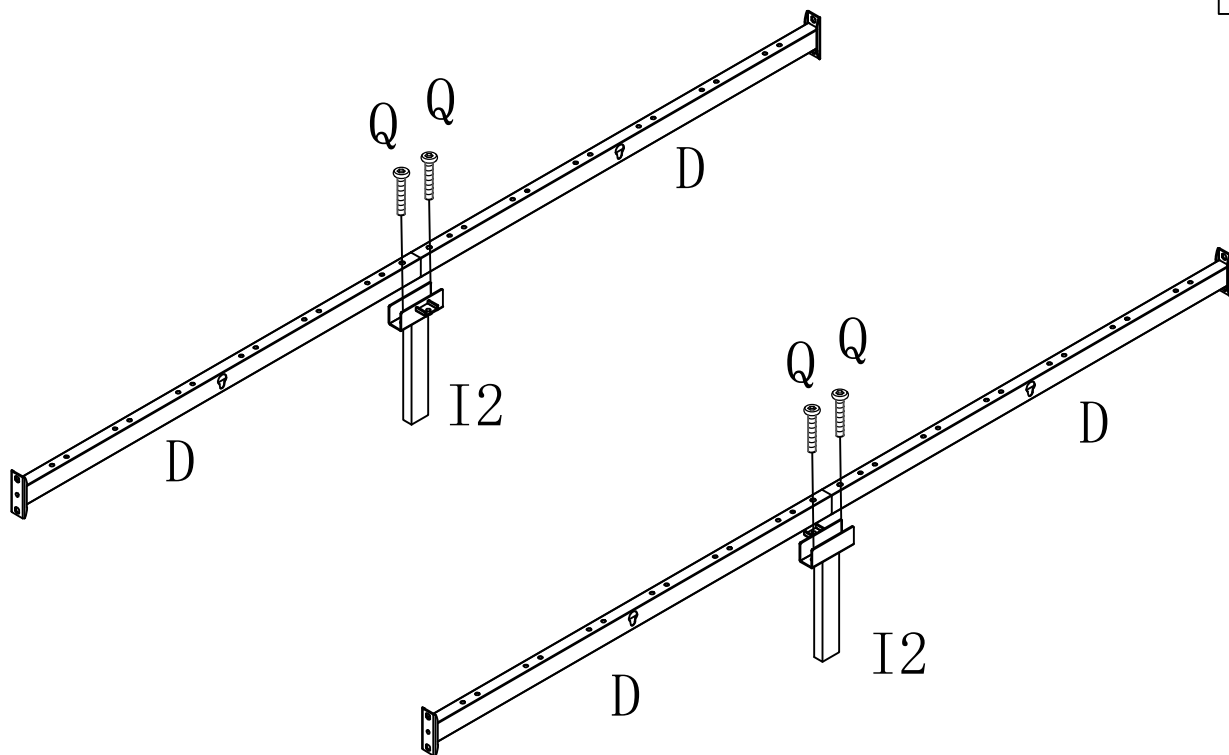


step3

Q



4PCS

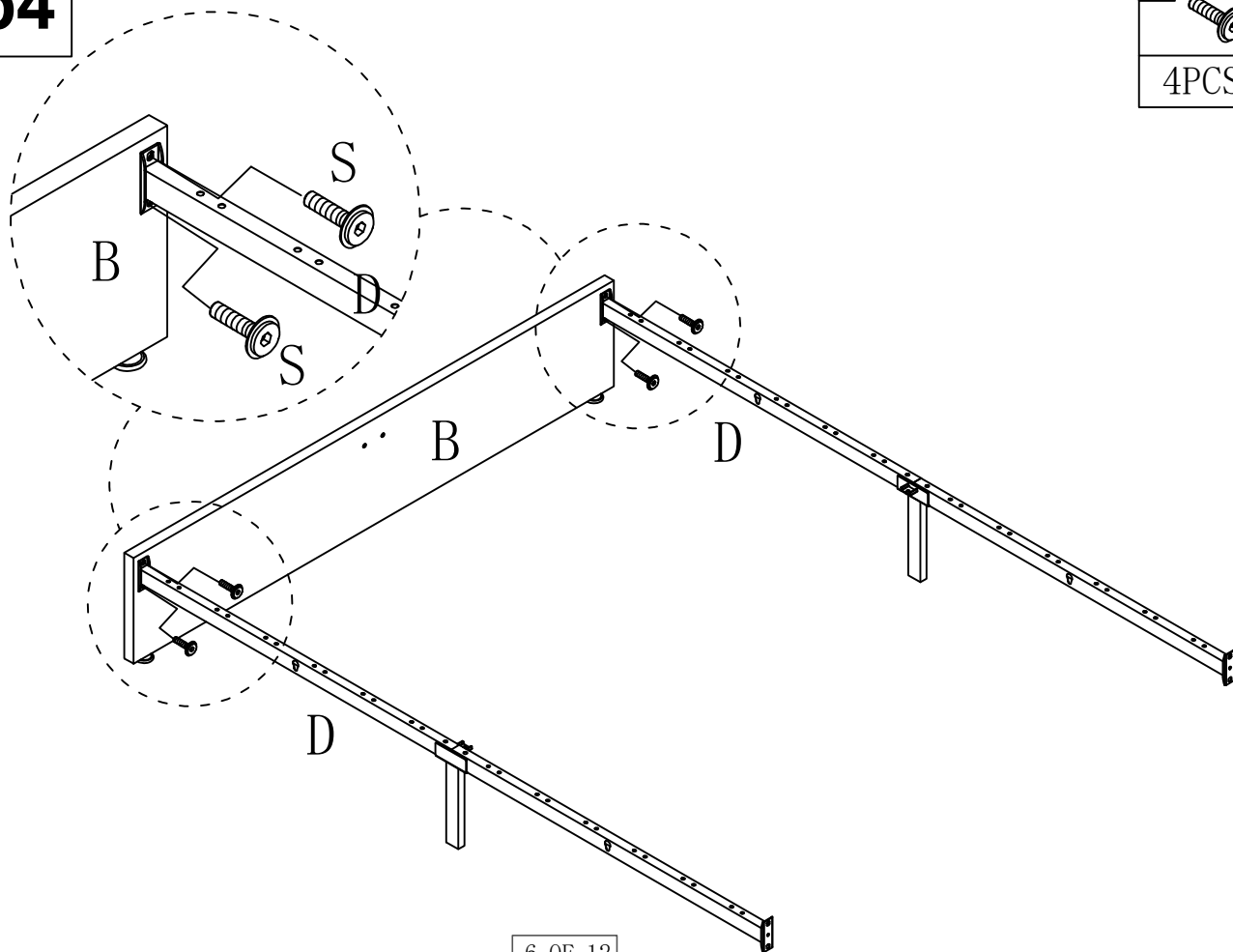


step4


S

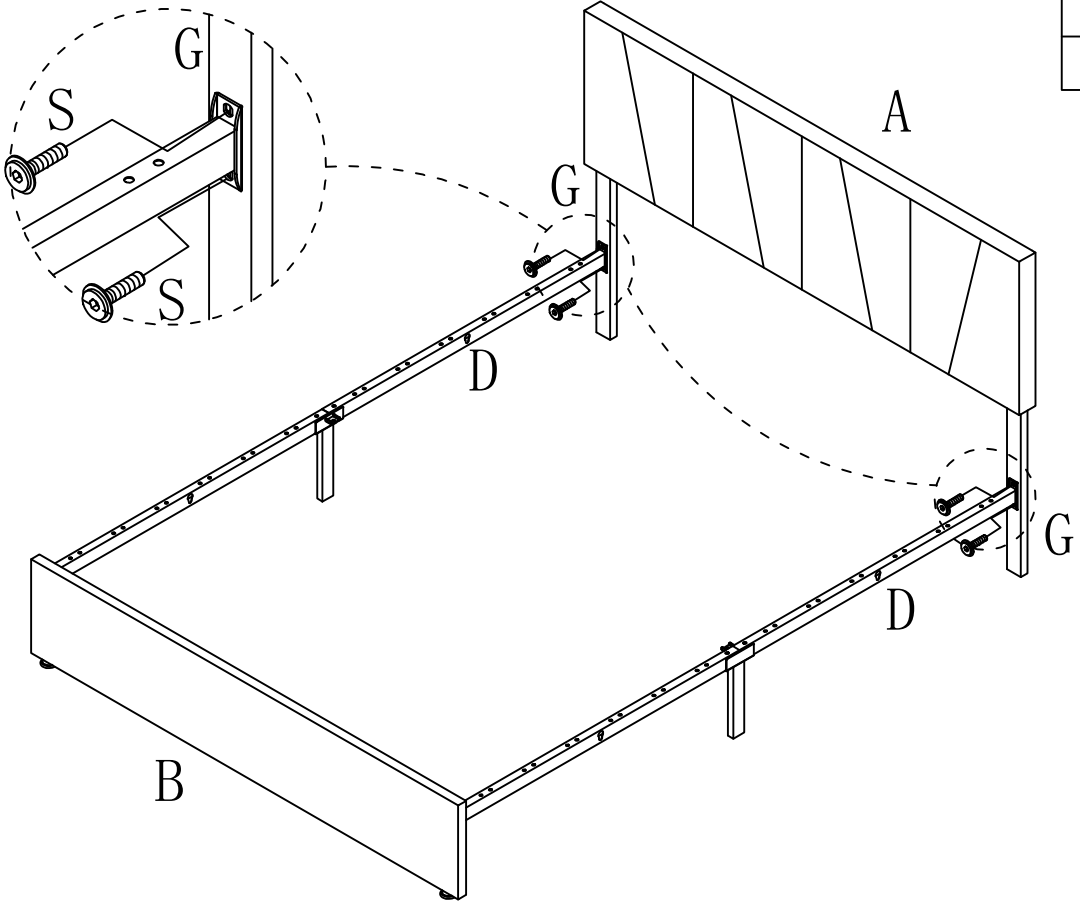


4PCS





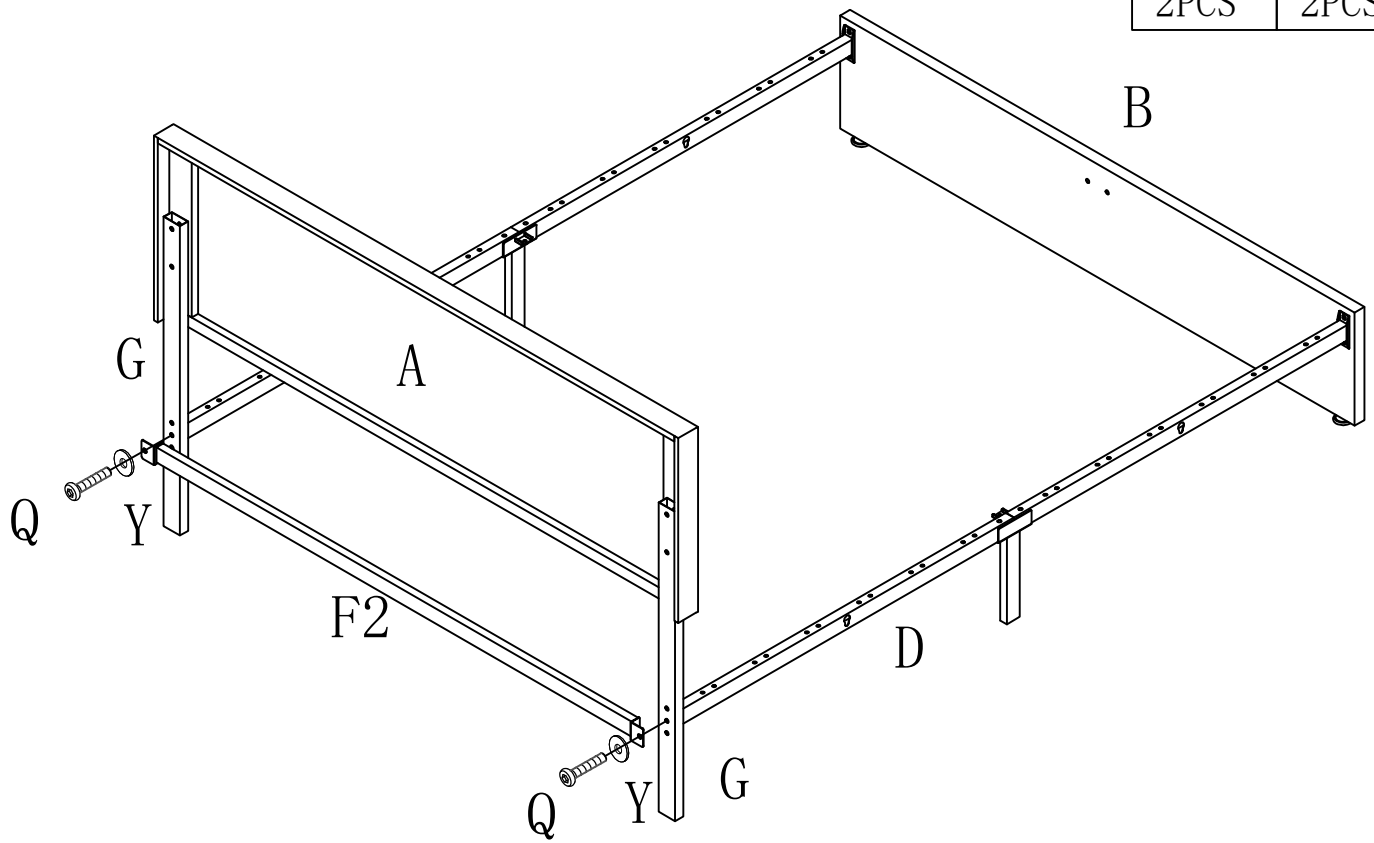
step5

S	
4PCS	





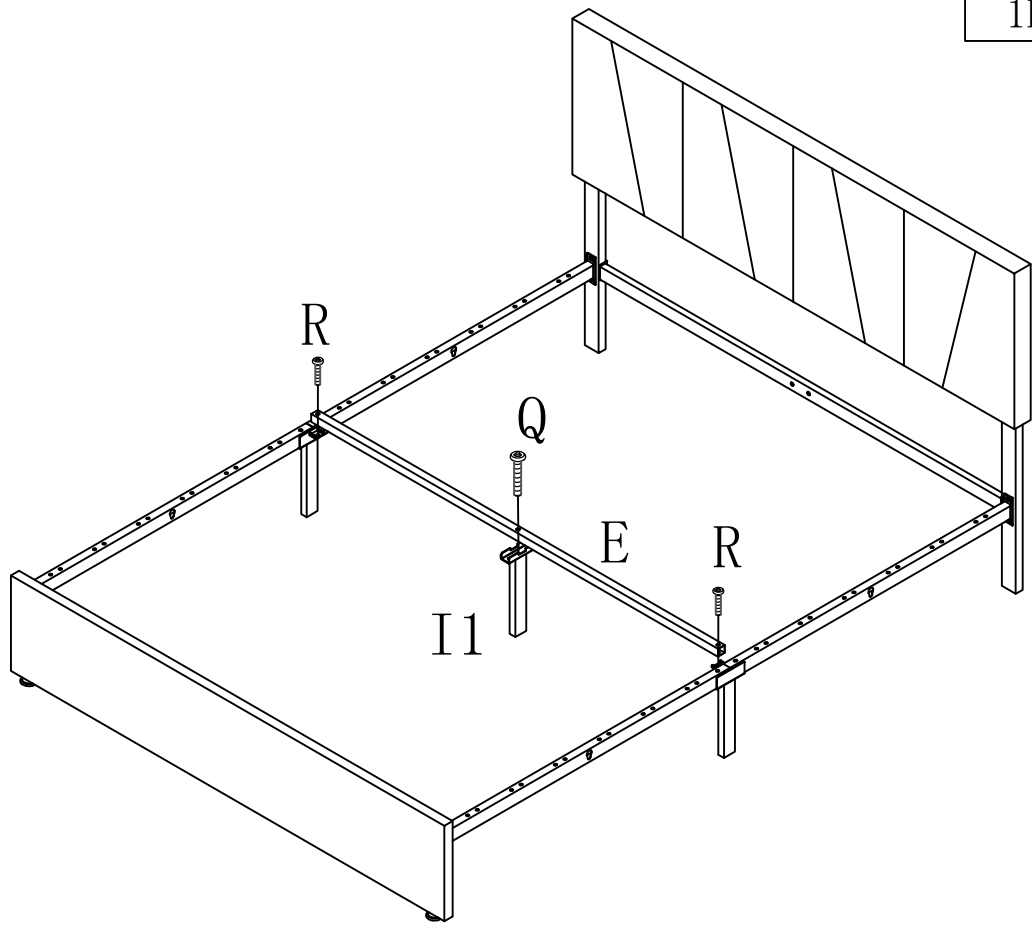
step6

Q		Y	
2PCS		2PCS	


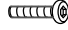


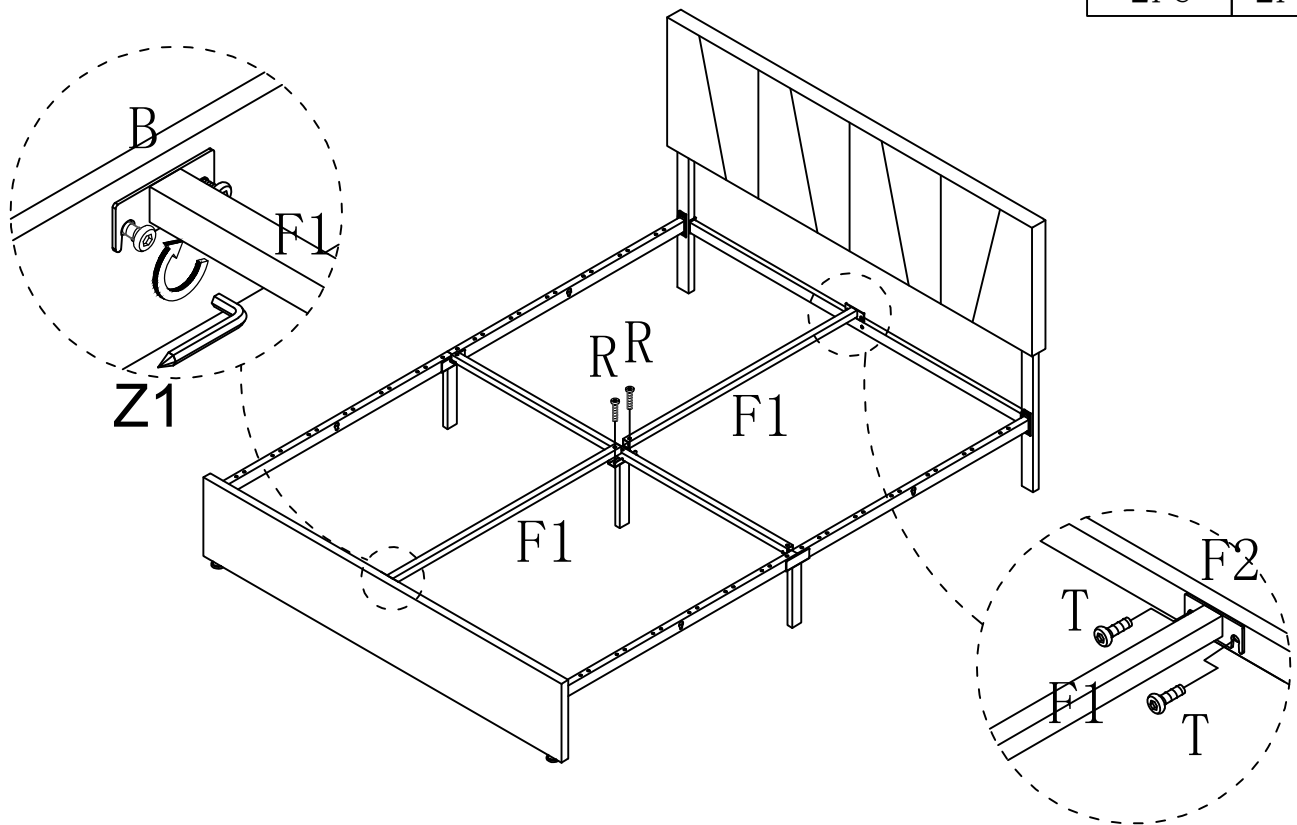
step7

Q	R
	
1PC	2PCS

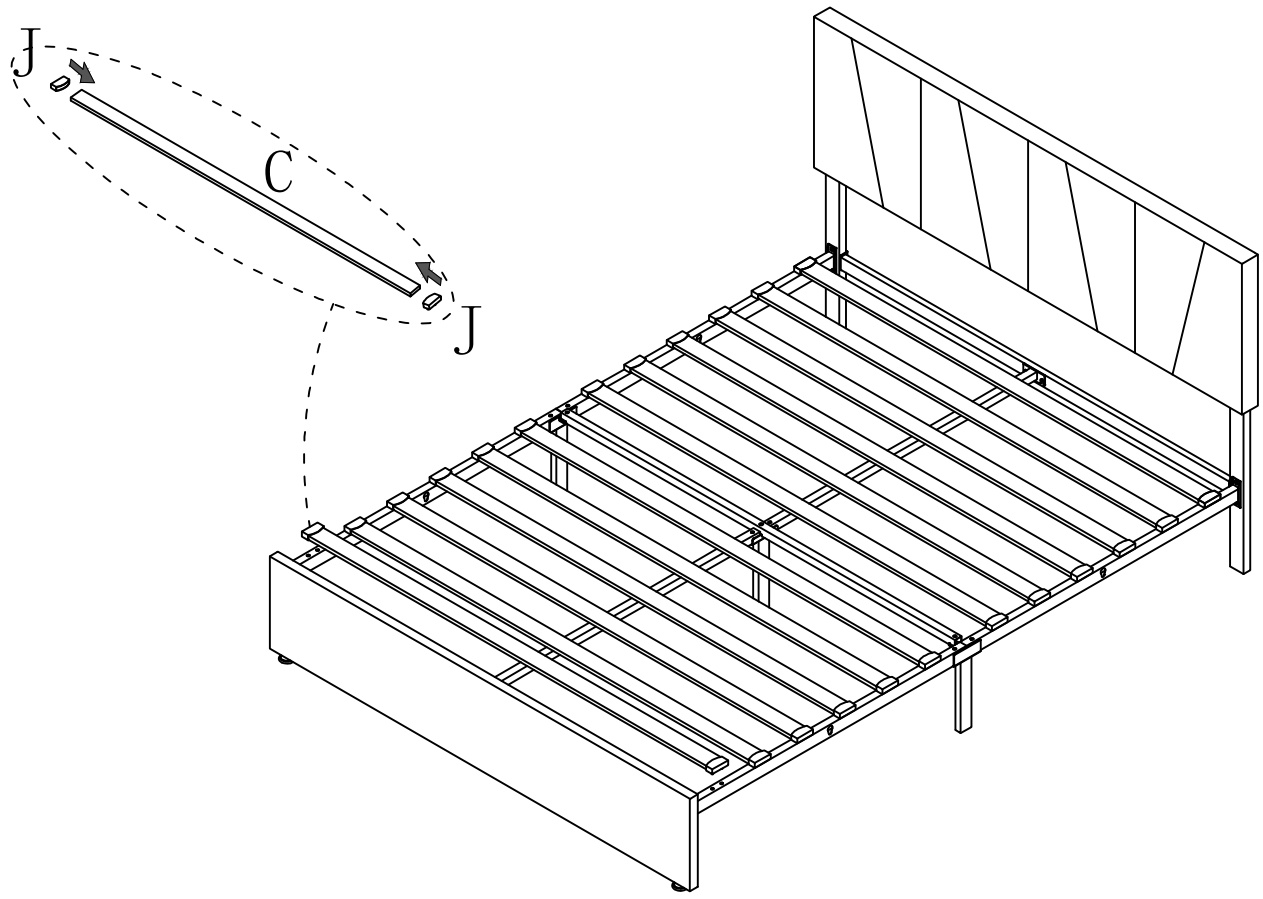


step8



R	T
	
2PC	2PCS

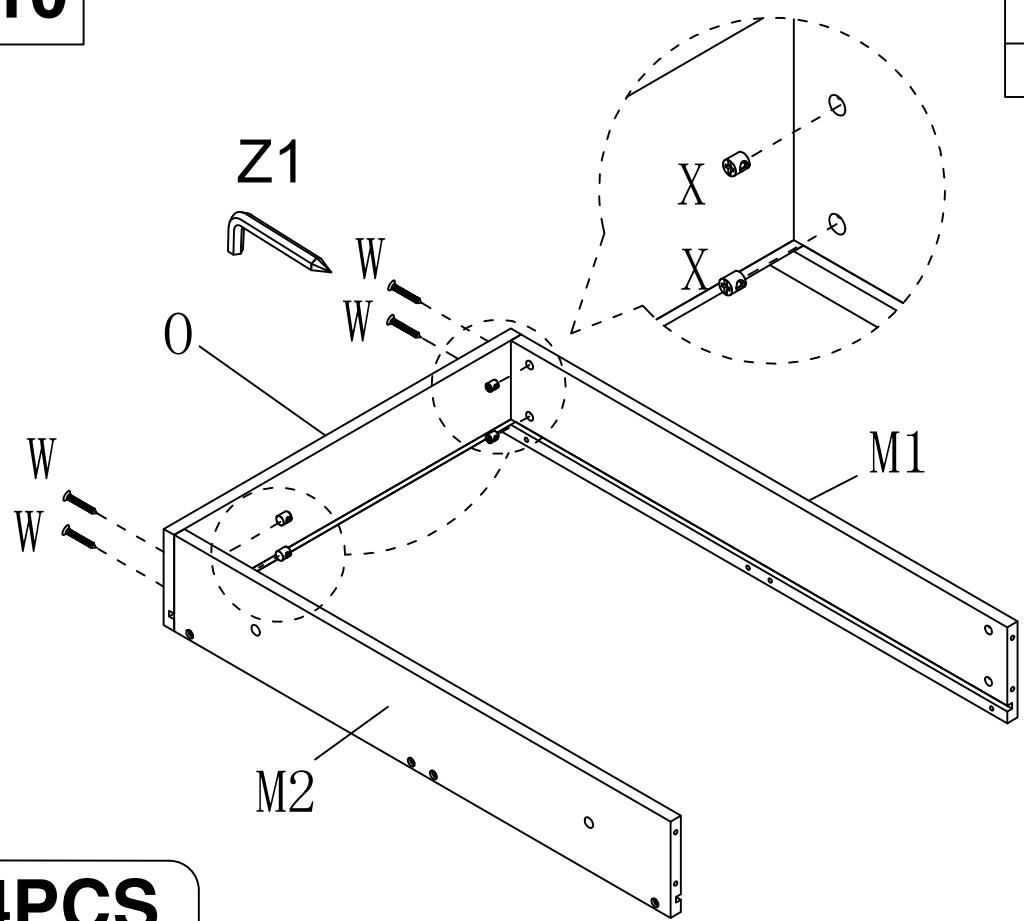


step9





step10

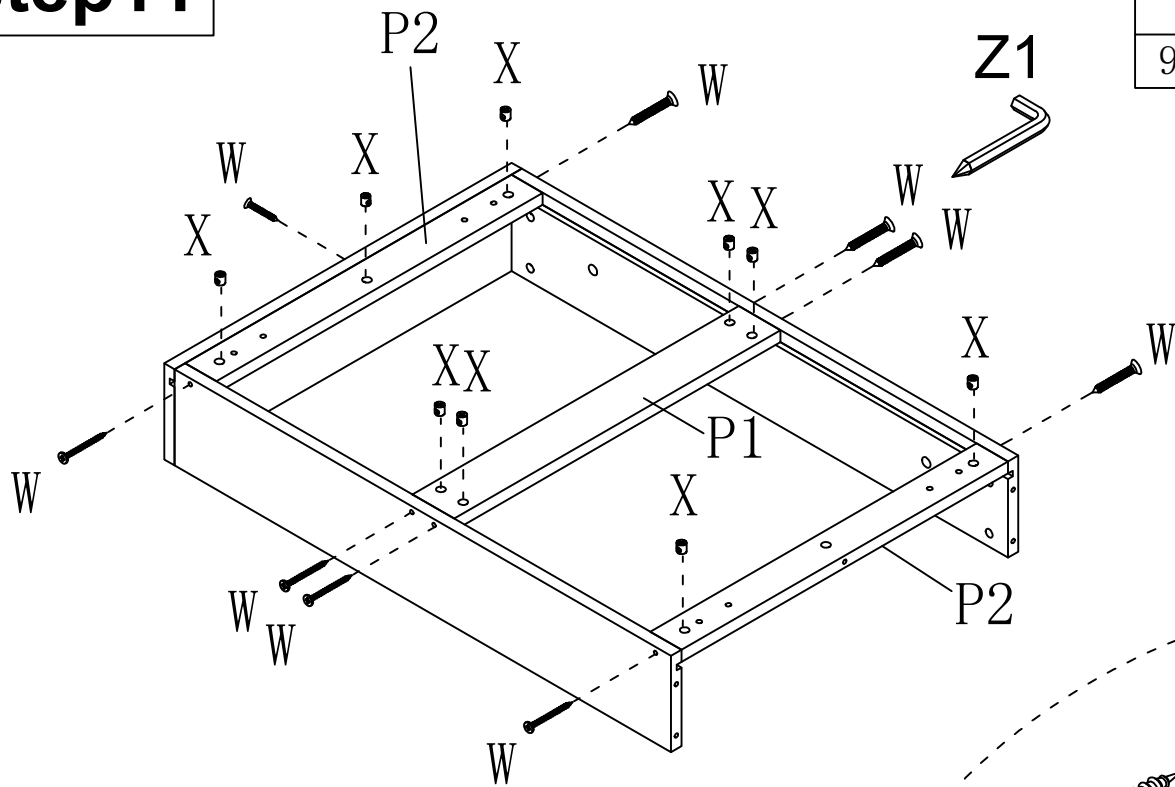
W		X	
4PCS		4PCS	



4PCS



step11

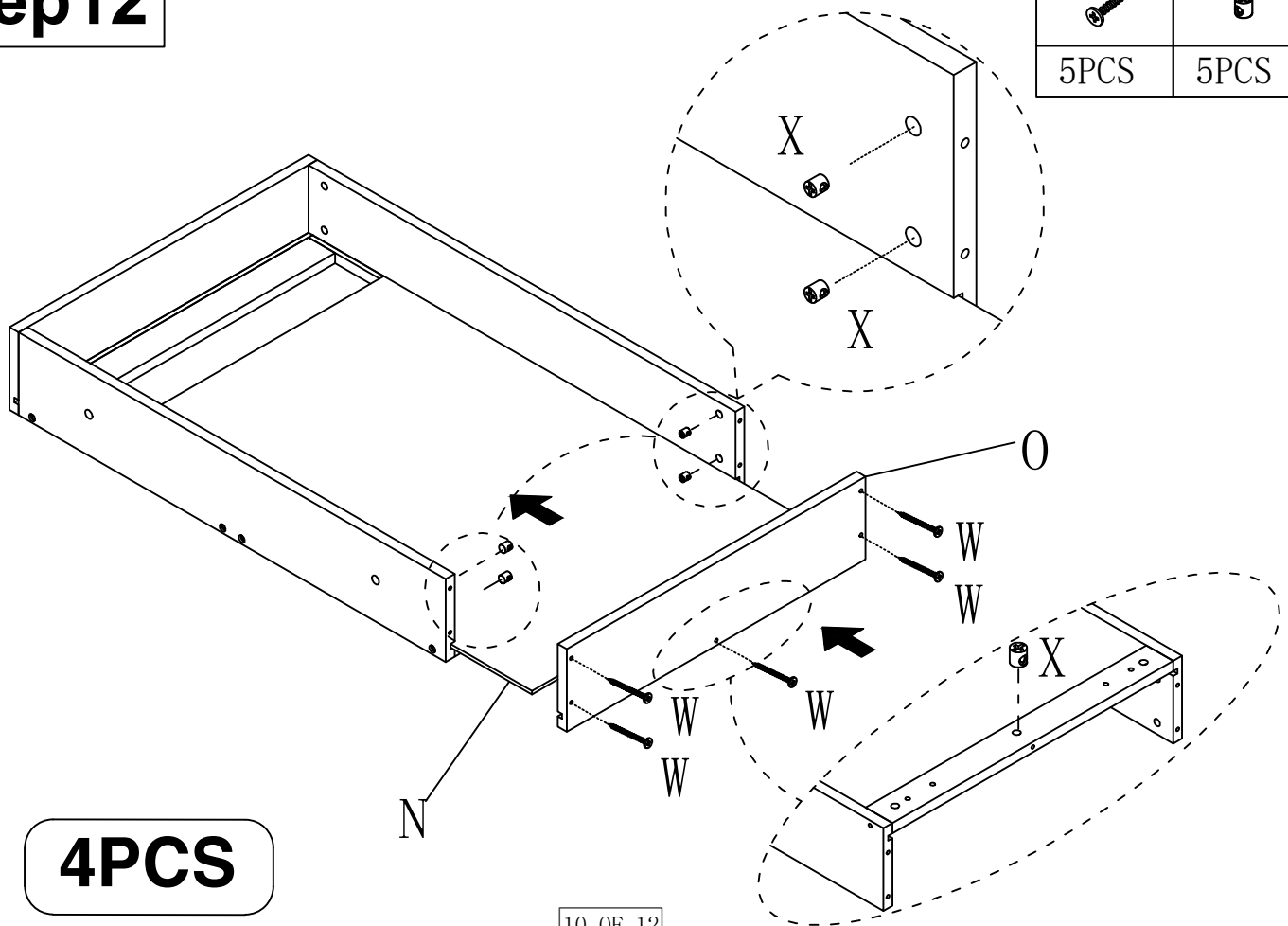
W		X	
9PCS		9PCS	



4PCS

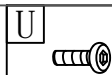
step12

W		X	
5PCS		5PCS	

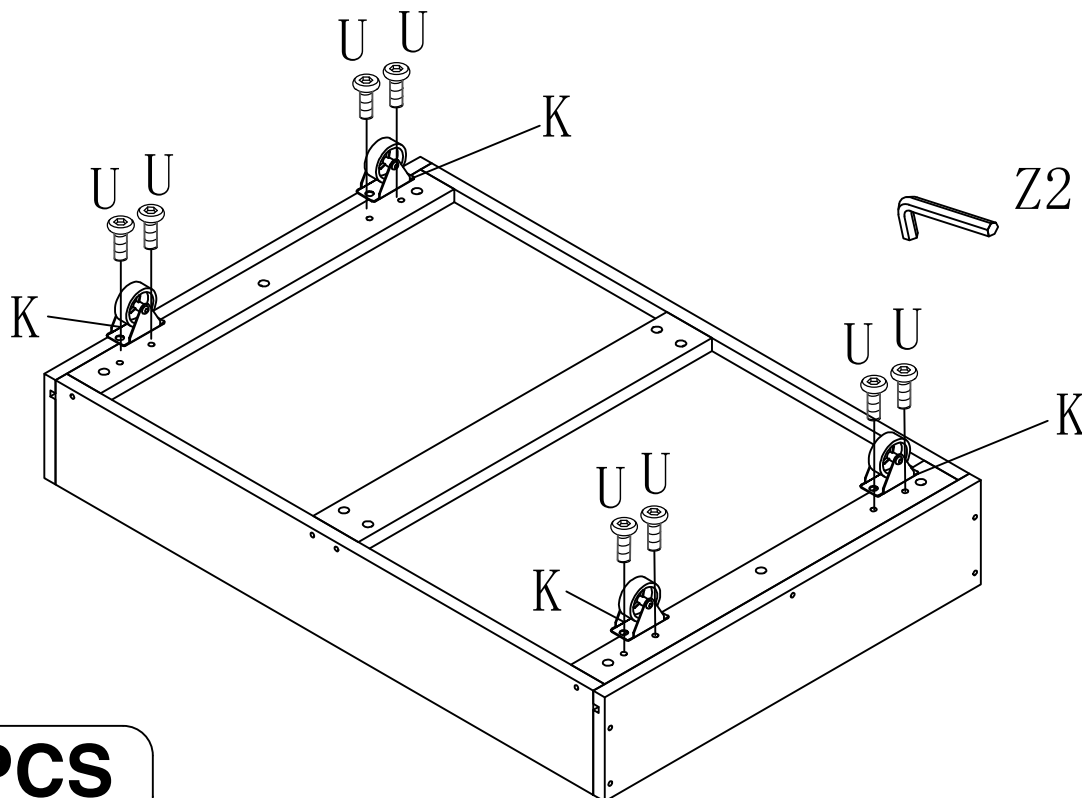


4PCS

step13

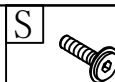


8PCS

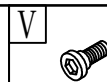


4PCS

step14



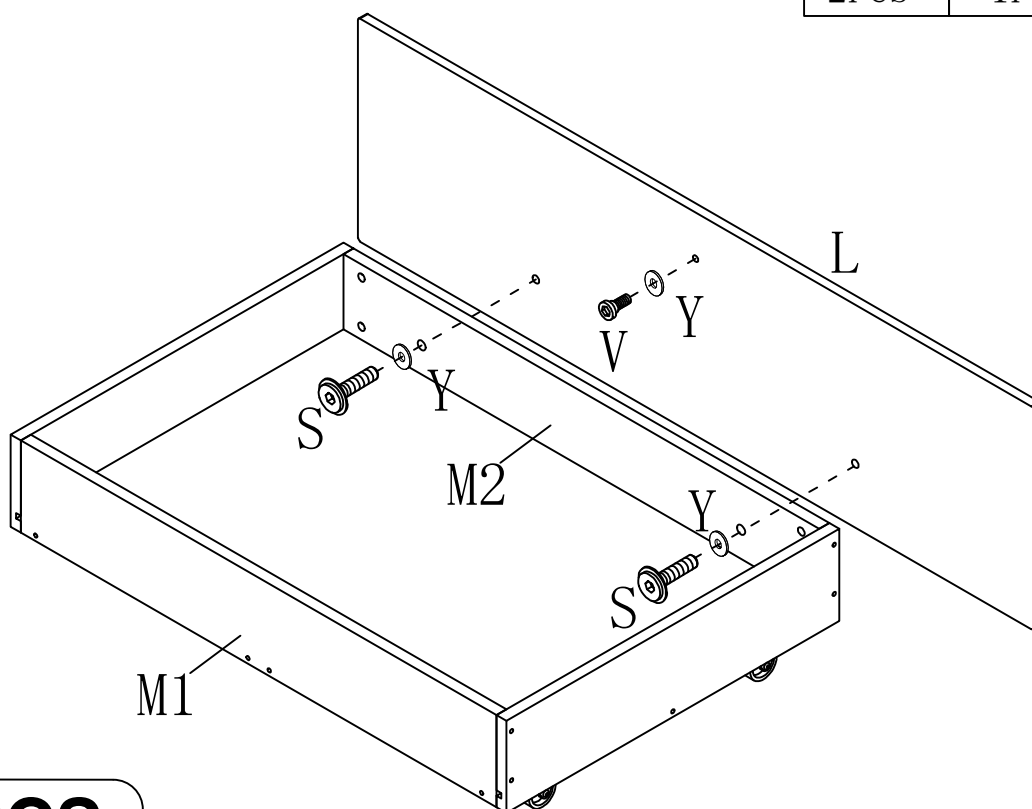
2PCS



1PC

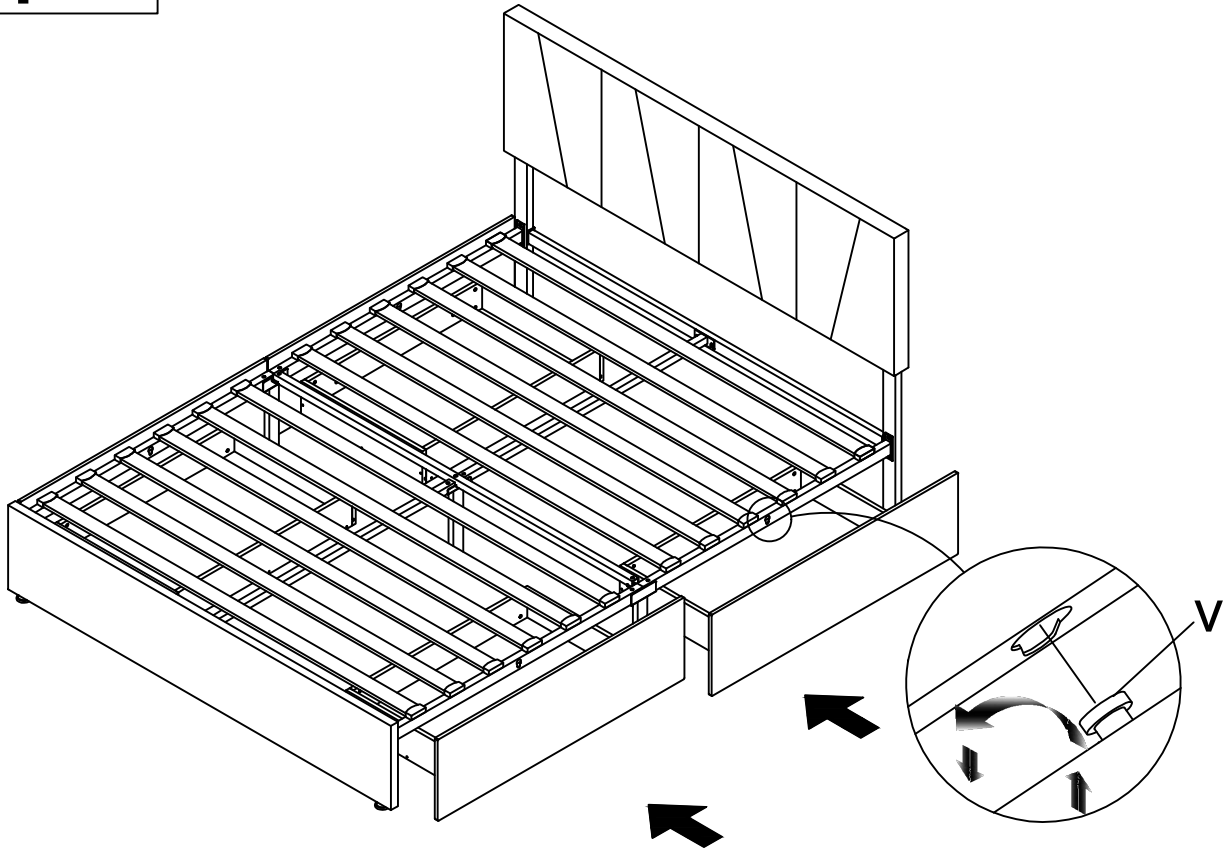


3PC



4PCS

step15



Lift the panel to allow the "V" to match the hole to secure the drawers. Same way for pulling out.

step16

