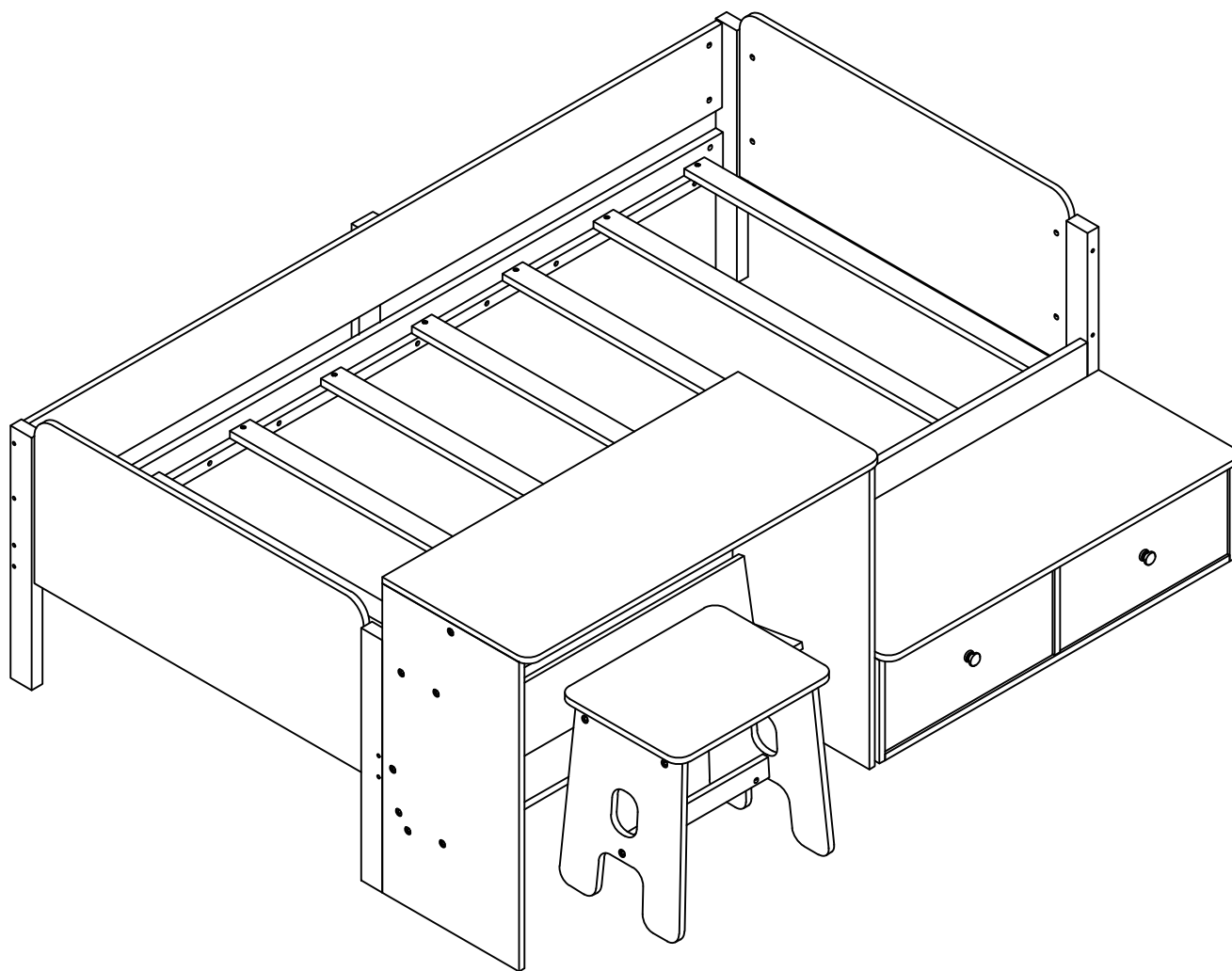


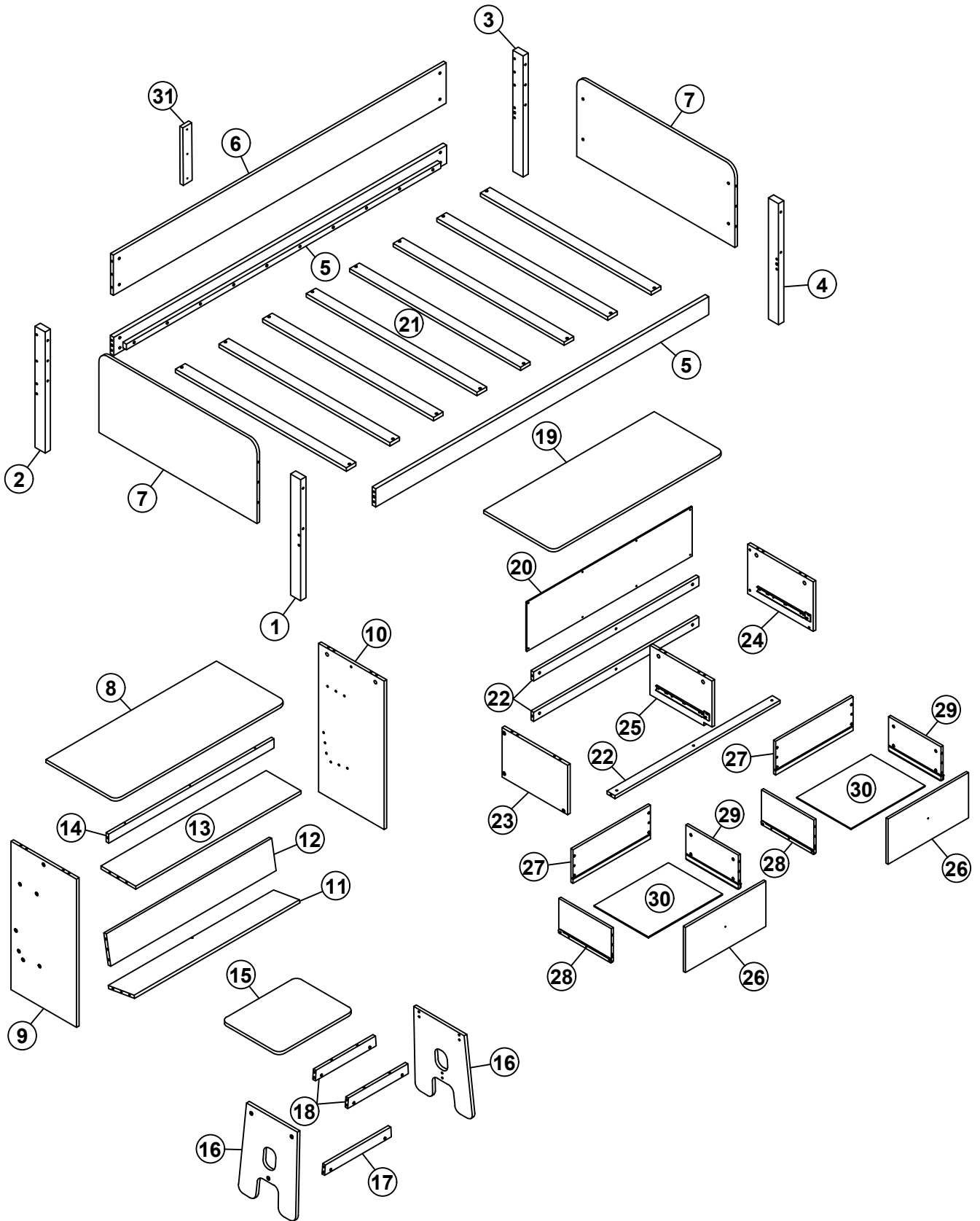
ASSEMBLY INSTRUCTIONS

TWIN BED WITH TABLE & CABINET



WF311603/WF311604

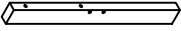

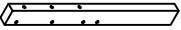
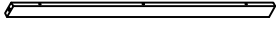
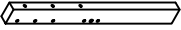
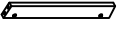
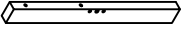
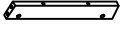
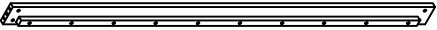
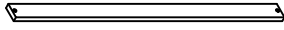
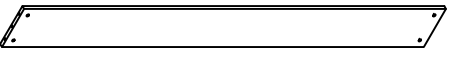

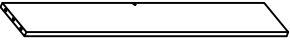
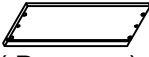
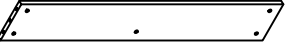
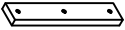
ASSEMBLY INSTRUCTIONS



ASSEMBLY INSTRUCTIONS

PARTS LIST

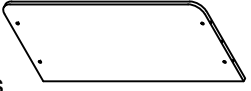
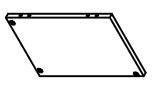

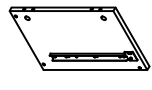

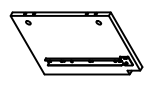

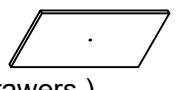


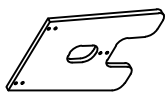
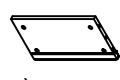
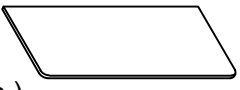
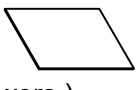
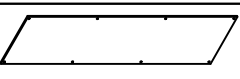
WF311603

1	Leg		1pc	13	Support panel (Table)		1pc
2	Leg		1pc	14	Center panel (Table)		1pc
3	Leg		1pc	17	Stretcher (Chair)		1pc
4	Leg		1pc	18	Stretcher (Chair)		2pcs
5	Side rails		2pcs	21	Slats		8pcs
6	Guardrails panel		1pc	22	Cross bar (Drawers)		3pcs
11	Support panel (Table)		1pc	27	Drawer back panels (Drawers)		2pcs
12	Support panel (Table)		1pc	31	Back guard rails support		1pc


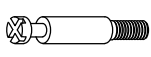













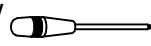
ASSEMBLY INSTRUCTIONS

PARTS LIST

WF311604 (Hardware in this SKU)

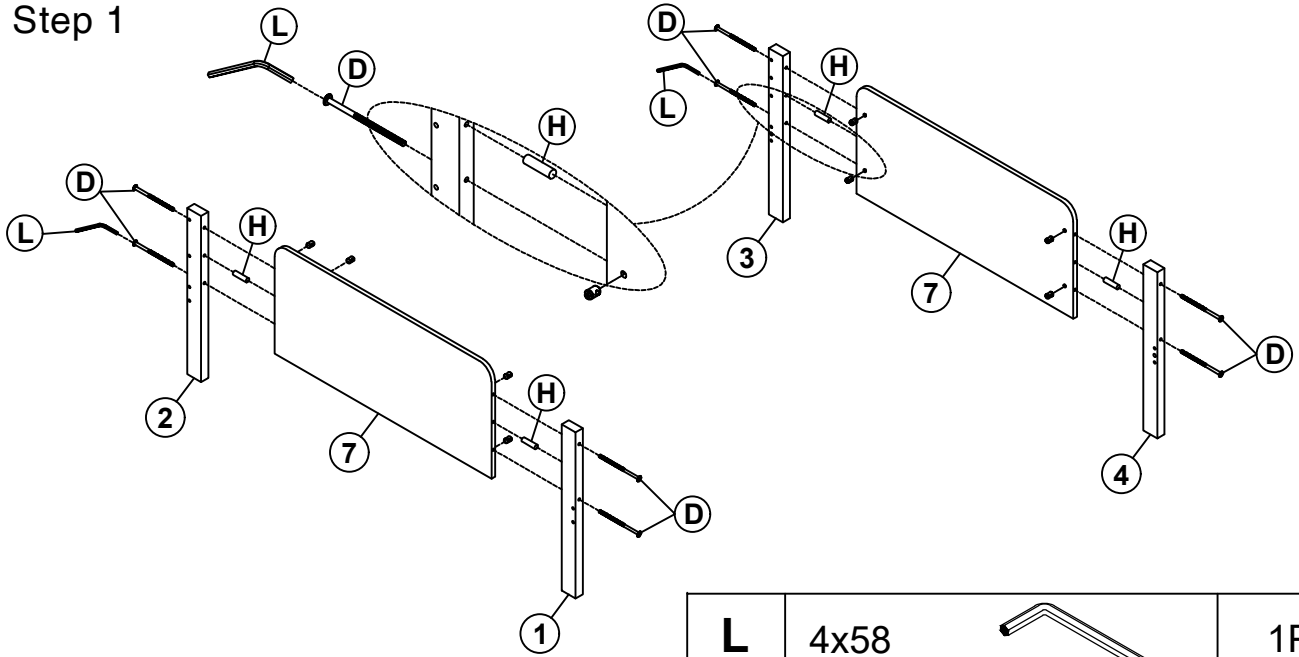
7	Headboard panels 	2pcs	23	Side panel (Drawers) 	1pc
8	Top panel (Table) 	1pc	24	Side panel (Drawers) 	1pc
9	Side panel (Table) 	1pc	25	Center panel (Drawers) 	1pc
10	Side panel (Table) 	1pc	26	Drawer front panels (Drawers) 	2pcs
15	Top panel (Chair) 	1pc	28	Drawer side panels (Drawers) 	2pcs
16	Side panel (Chair) 	2pcs	29	Drawer side panels (Drawers) 	2pcs
19	Top panel (Drawers) 	1pc	30	Drawer bottom panels (Drawers) 	2pcs
20	Back panel (Drawers) 	1pc			

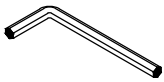


HARDWARE LIST (WF311604)

A	Ø4x38 	3PCS	I	Ø 6.5x35 	26PCS
B	Ø4x30 	19PCS	J	Ø15x12 	10PCS
C	Ø4x15 	8PCS	K	Ø12x10 	16PCS
D	1/4x110 	8PCS	L	4x58 	1PC
E	1/4x75 	12PCS	M	Ø28x27 	2PCS
F	1/4x60 	27PCS	N	Ø4x25 	2PCS
G	Ø10x40 	4PCS	O	1/4x60 	4PCS
H	Ø8x30 	39PCS		Phillip head screw Not include 	

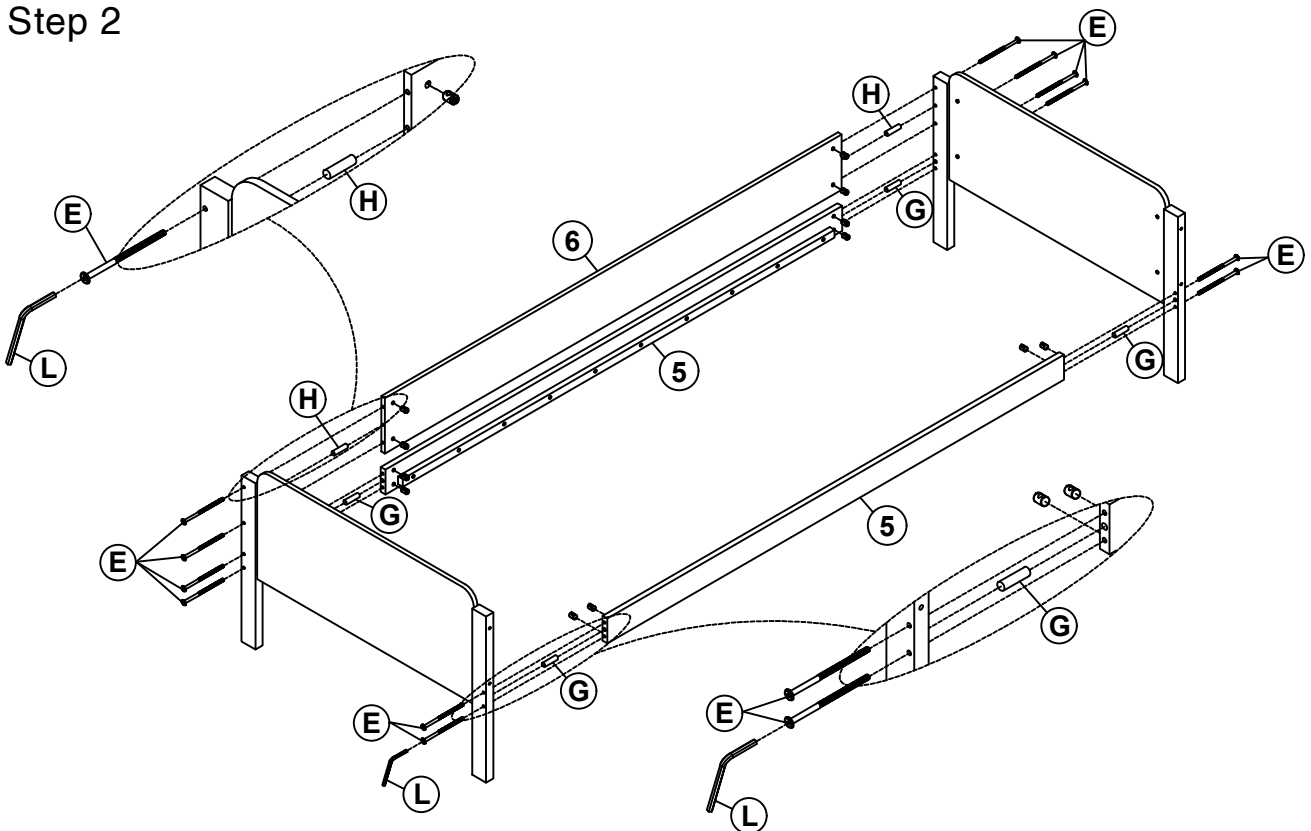
ASSEMBLY INSTRUCTIONS





Step 1



L	4x58		1PC
D	1/4x110		8PCS
H	Ø8x30		4PCS

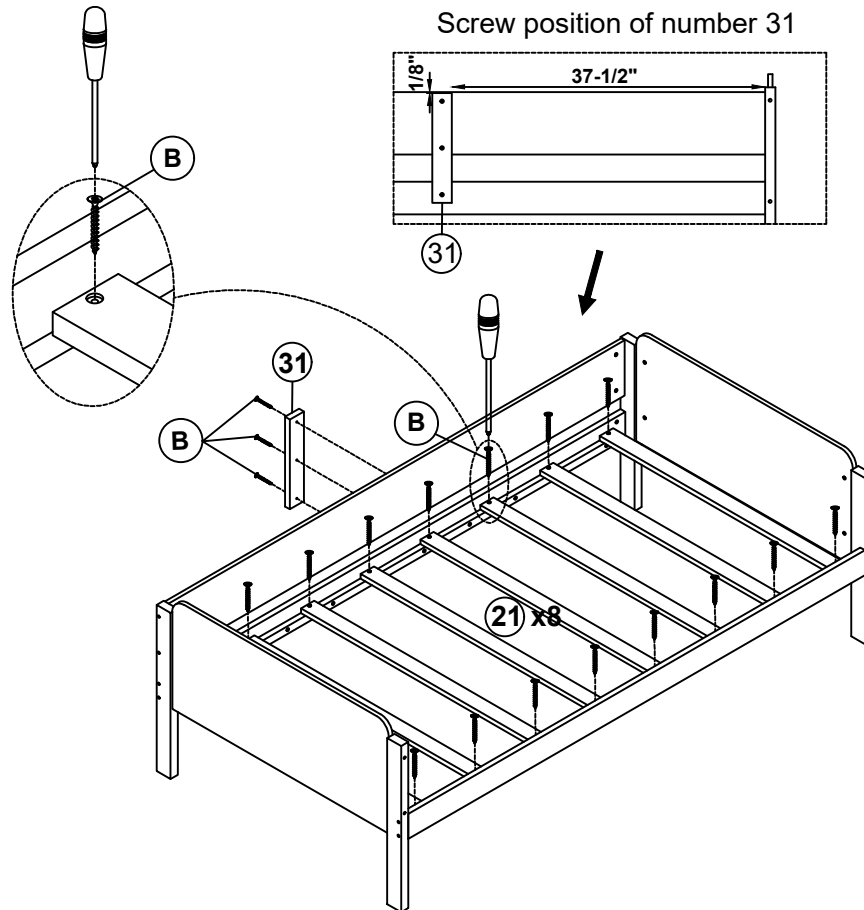
Step 2



L	4x58		1PC	G	Ø10x40		4PCS
E	1/4x75		12PCS	H	Ø8x30		2PCS

ASSEMBLY INSTRUCTIONS

Step 3



First attach 2pcs part 21 to the front and end of the frame between headboard. Then attach the remaining part 21 equidistantly between headboard

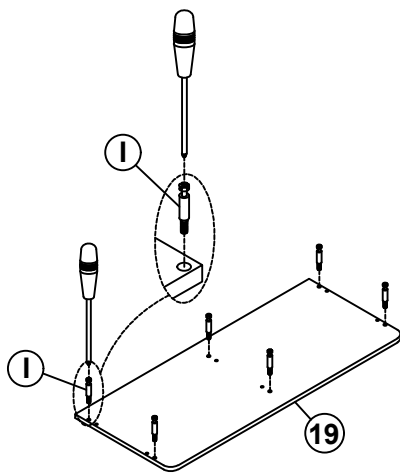
B

Ø4x30

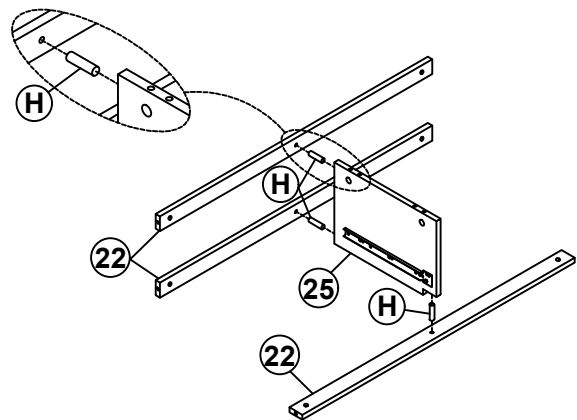


19PCS

Step 4

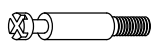


Step 5



I

Ø 6.5x35



6PCS

H

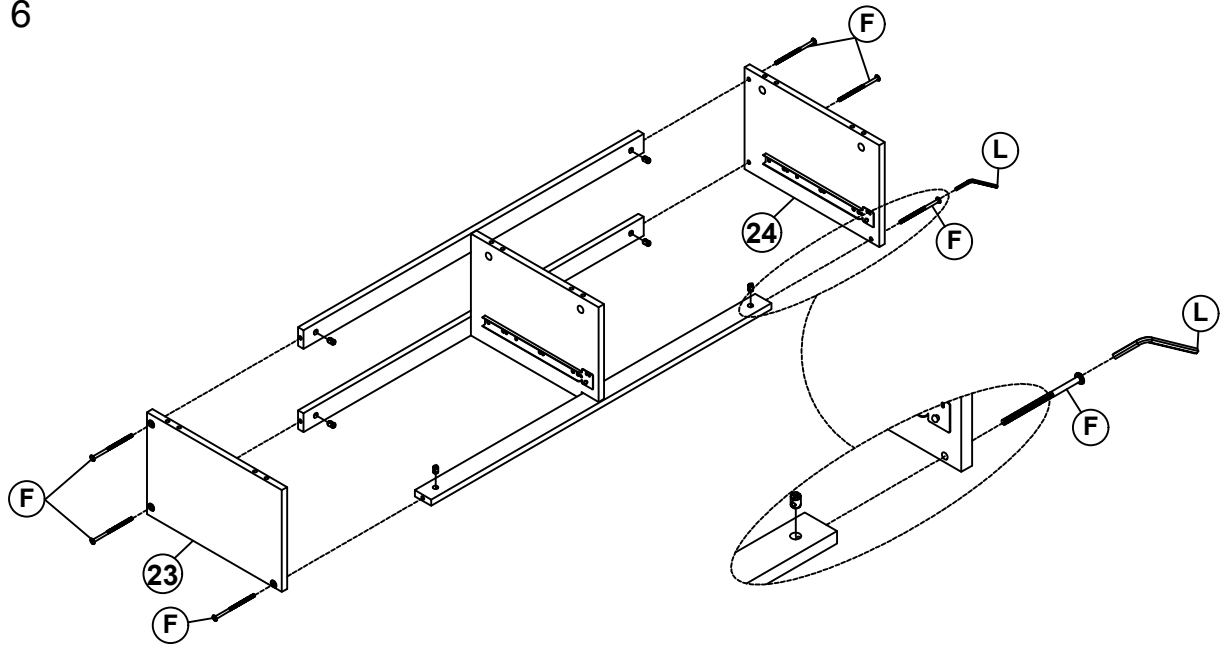
Ø8x30





3PCS

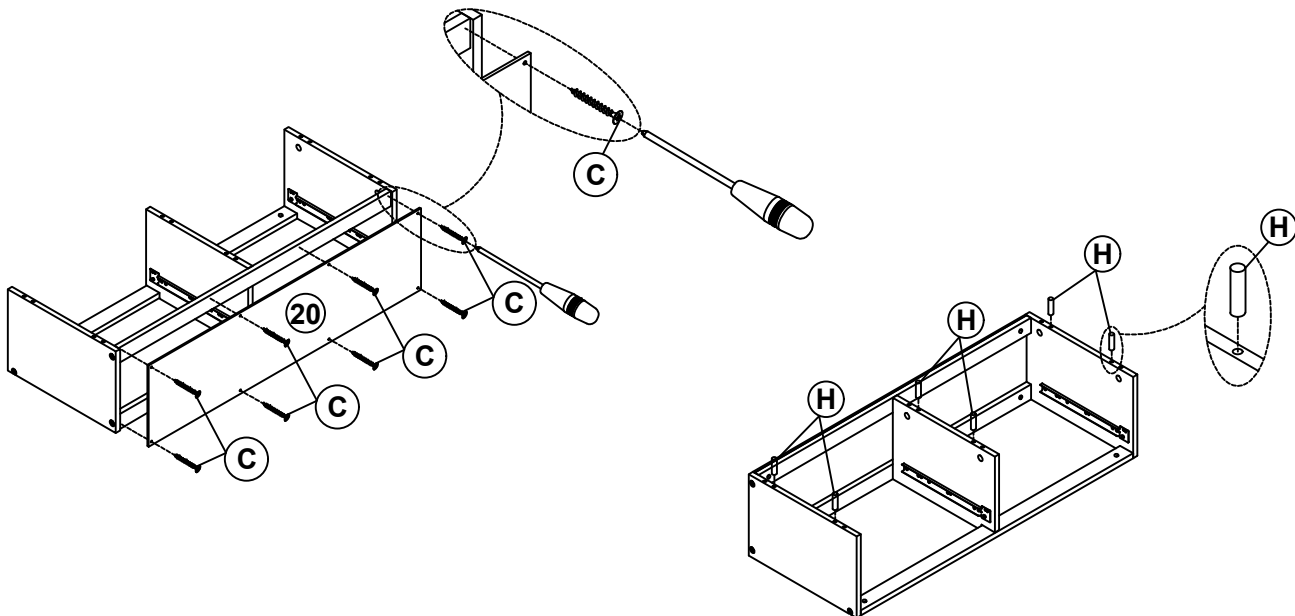
ASSEMBLY INSTRUCTIONS



Step 6



F	1/4x60		6PCS	L	4x58		1PC
----------	--------	---	------	----------	------	---	-----

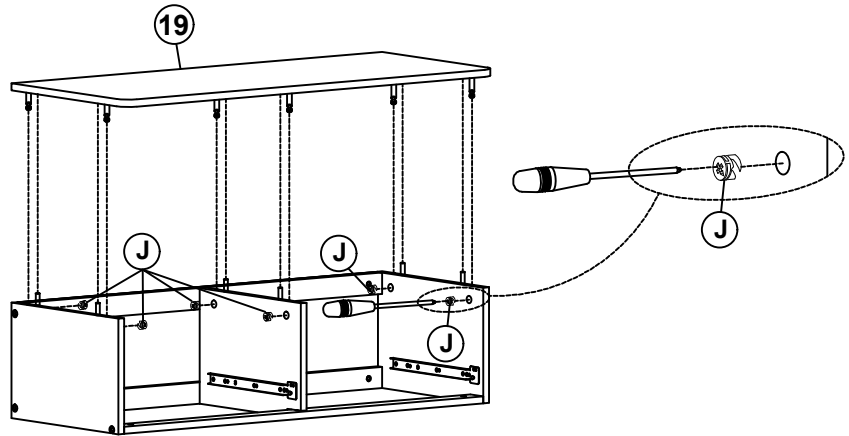
Step 7




H	Ø8x30		6PCS	C	Ø4x15		8PCS
----------	-------	---	------	----------	-------	---	------

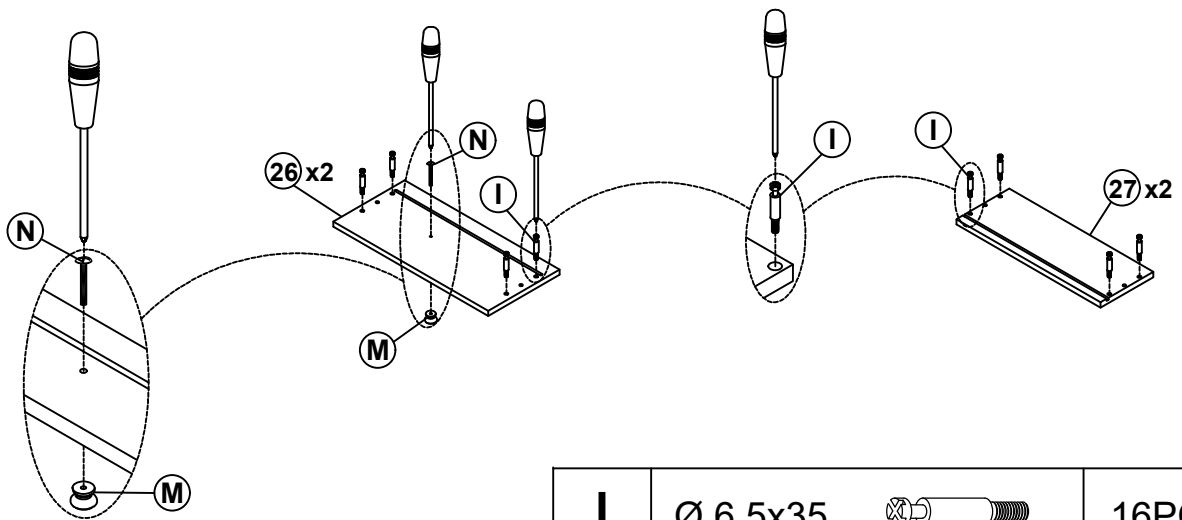
ASSEMBLY INSTRUCTIONS




Step 8



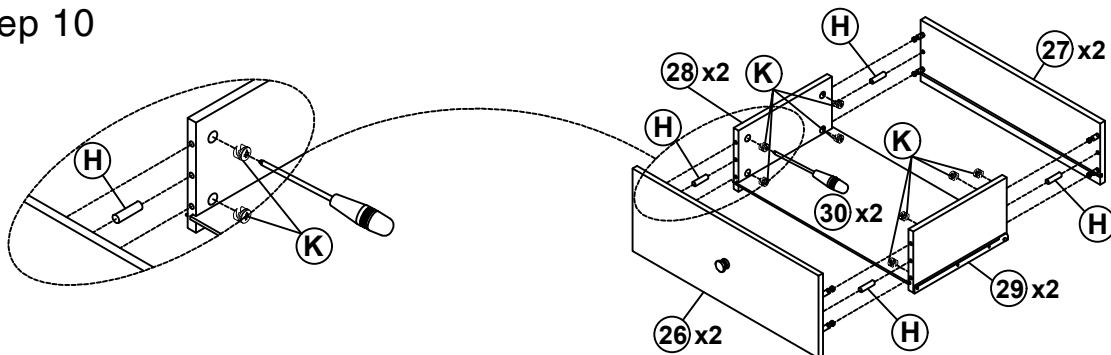
J	Ø15x12		6PCS
----------	--------	---	------



Step 9



N	Ø4x25		2PCS	I	Ø 6.5x35		16PCS
M	Ø28x27		2PCS				

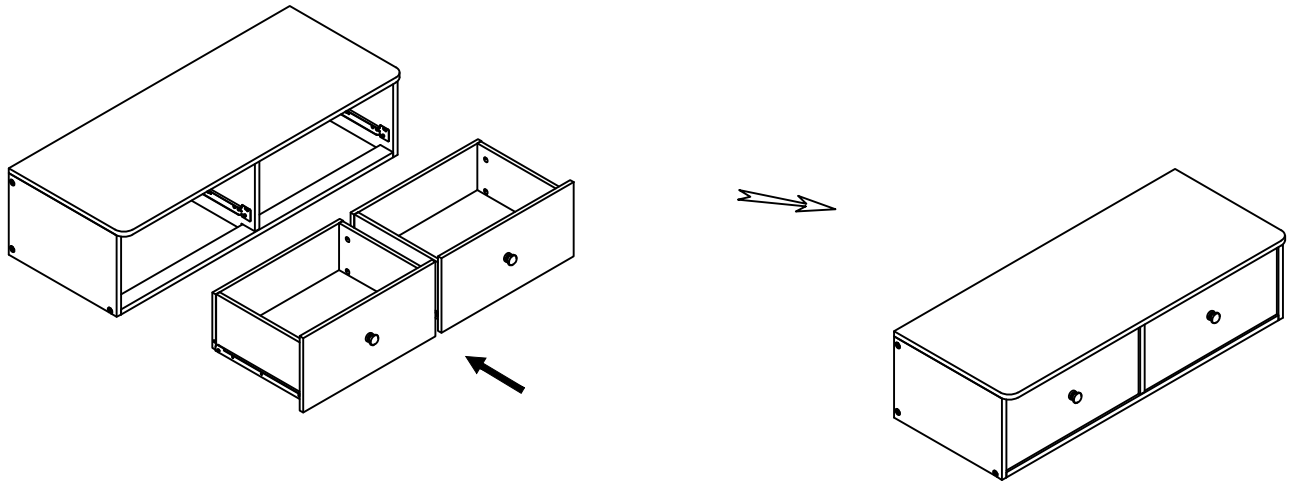
Step 10



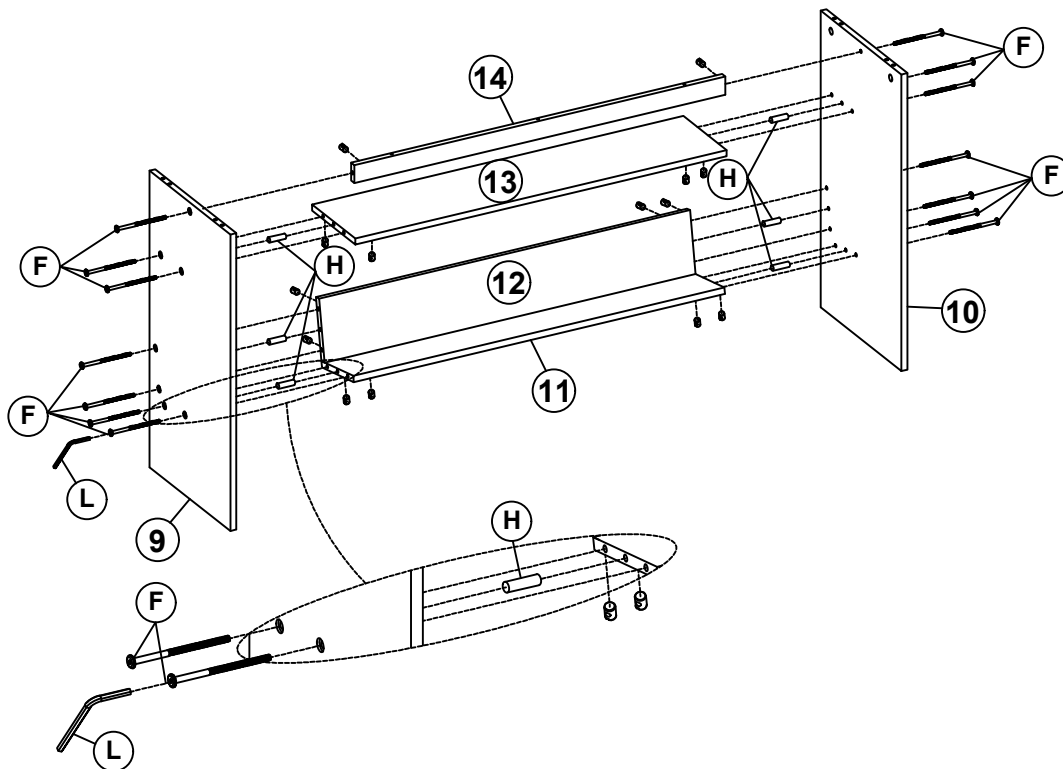
K	Ø12x10		16PCS	H	Ø8x30		8PCS
----------	--------	---	-------	----------	-------	---	------


ASSEMBLY INSTRUCTIONS



Step 11

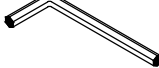


Step 12



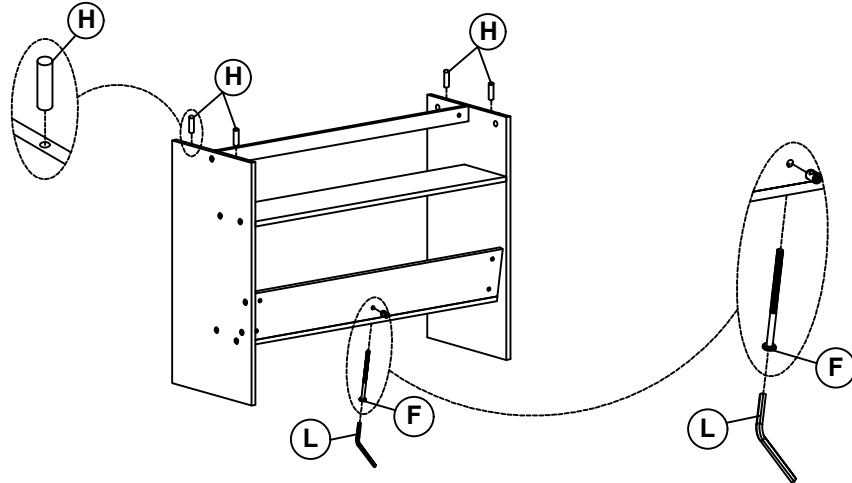
H	Ø8x30		6PCS
----------	-------	---	------


F	1/4x60	 	14PCS
----------	--------	---	-------


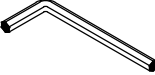
L	4x58		1PC
----------	------	---	-----

ASSEMBLY INSTRUCTIONS

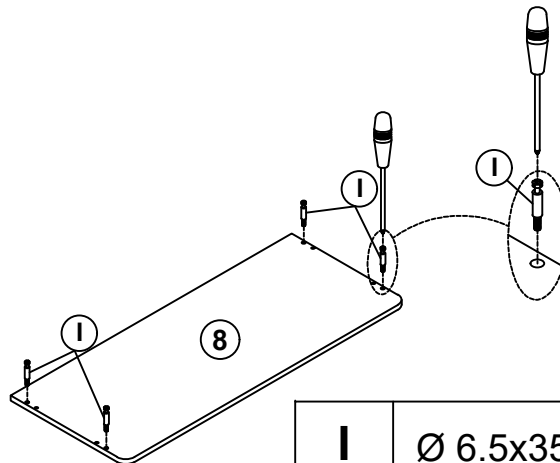
Step 13

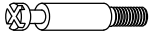


H	Ø8x30		4PCS
----------	-------	---	------

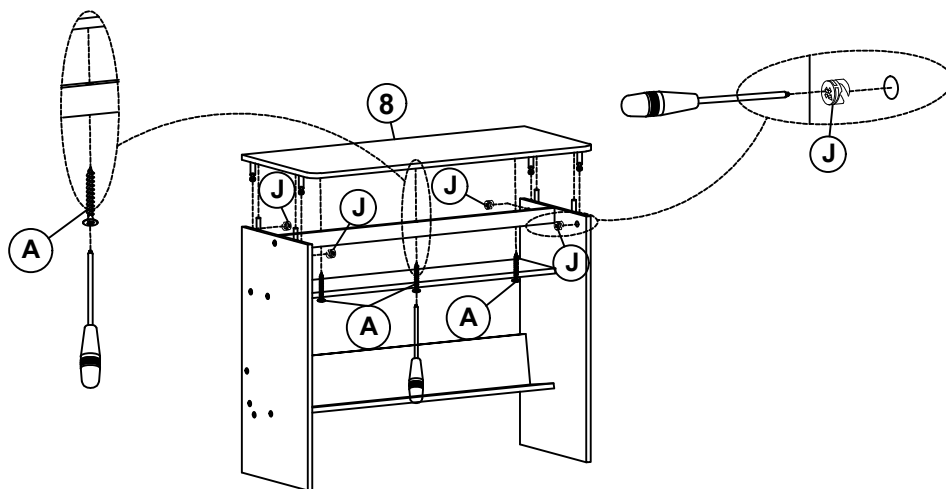
F	1/4x60		1PC	L	4x58		1PC
----------	--------	---	-----	----------	------	---	-----



Step 14



I	Ø 6.5x35		4PCS
----------	----------	---	------

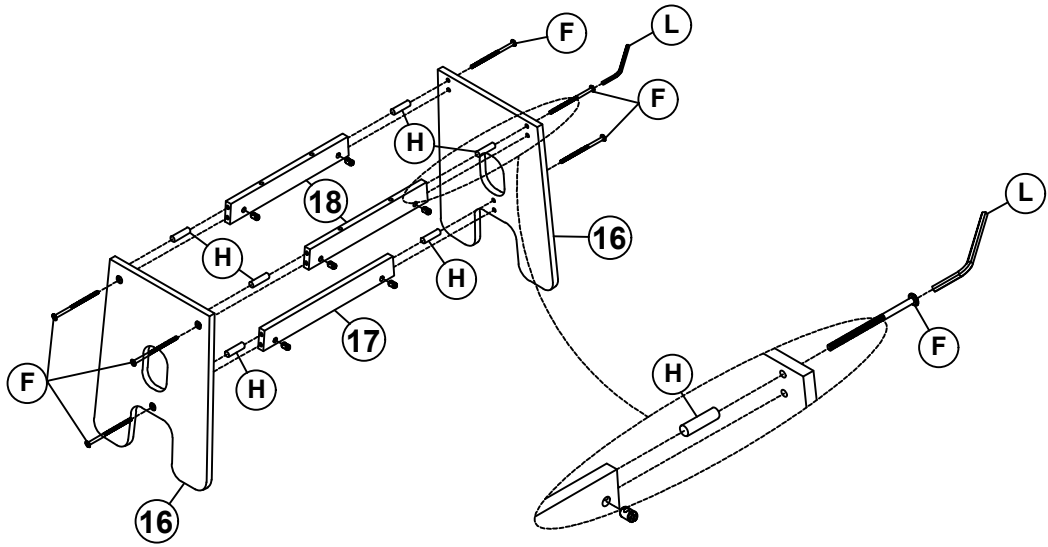
Step 15







J	Ø15x12		4PCS	A	Ø4x38		3PCS
----------	--------	---	------	----------	-------	---	------

ASSEMBLY INSTRUCTIONS

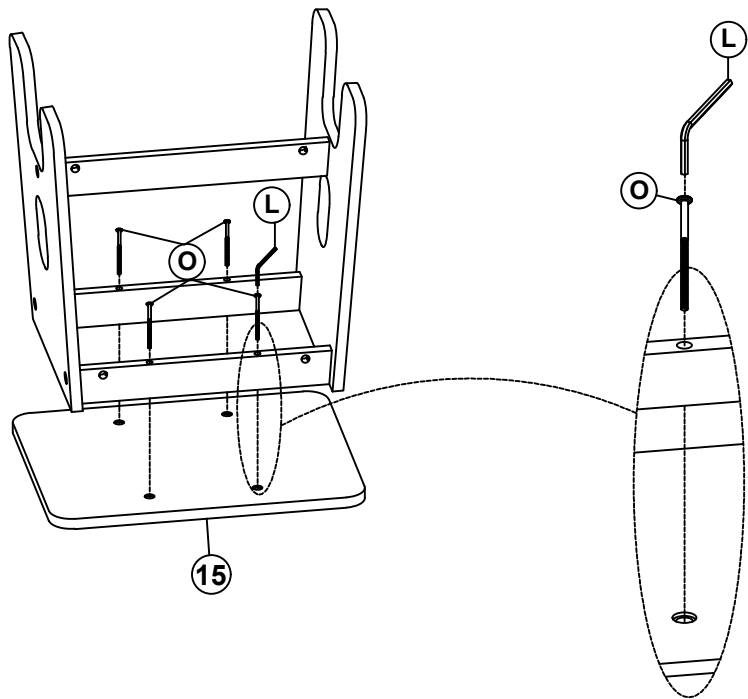
Step 16


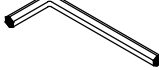


H	Ø8x30		6PCS
L	4x58		1PC

F	1/4x60			6PCS
----------	--------	--	--	------

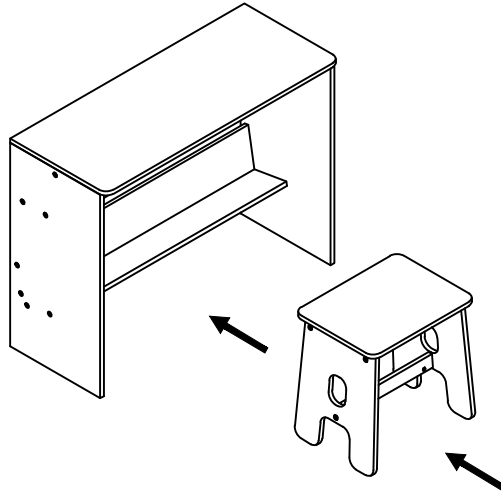
Step 17



O	1/4x60		4PCS	L	4x58		1PC
----------	--------	---	------	----------	------	---	-----

ASSEMBLY INSTRUCTIONS

Step 18



Step 19

