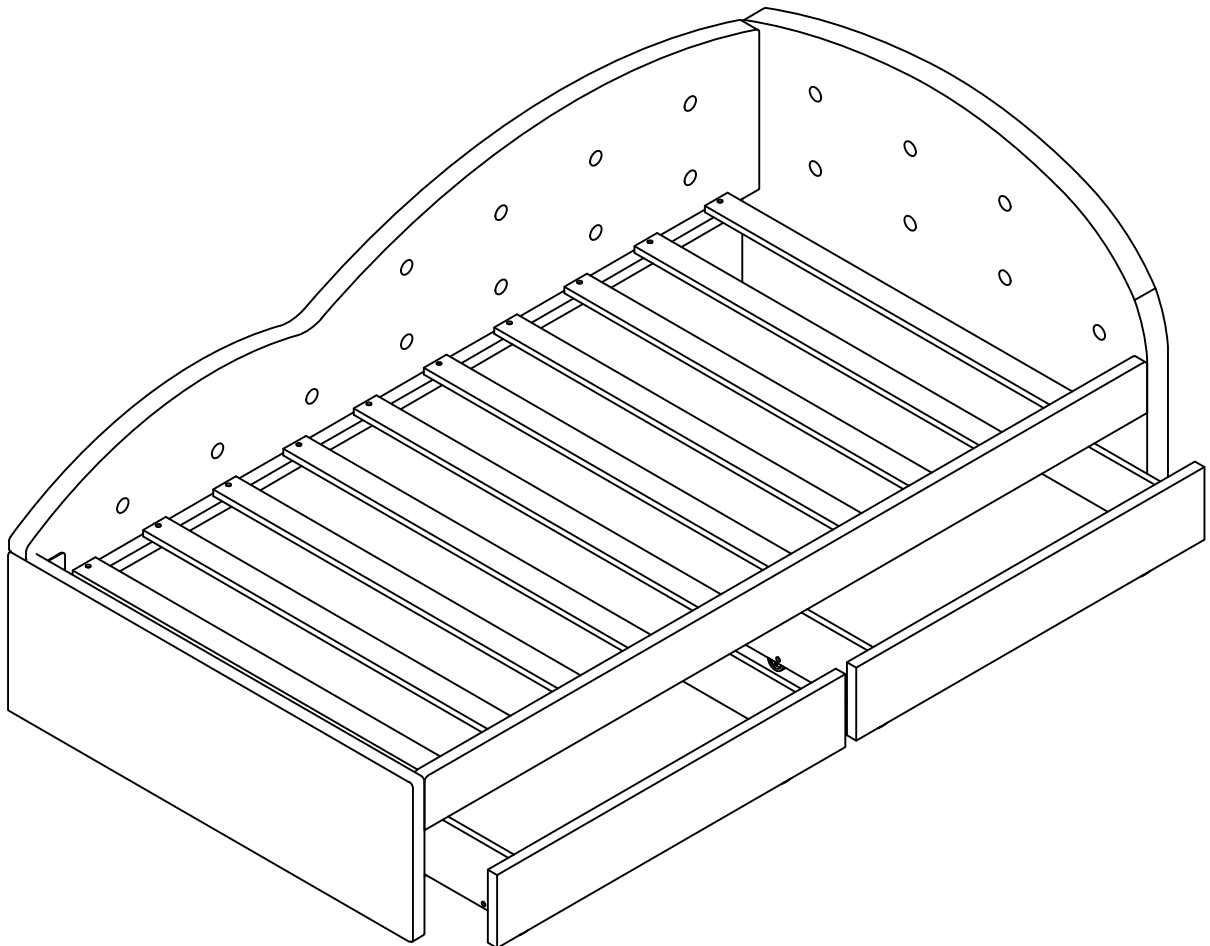


# ASSEMBLY INSTRUCTIONS

WF 310876/WF 310877



## IMPORTANT NOTE

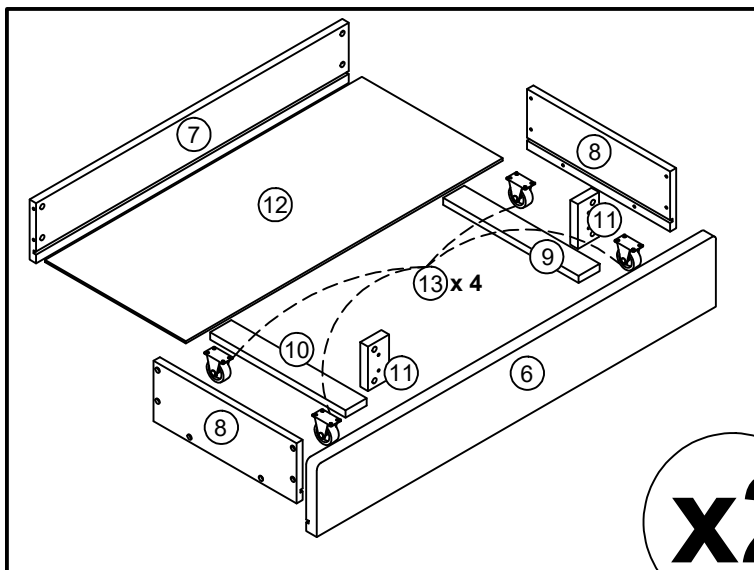
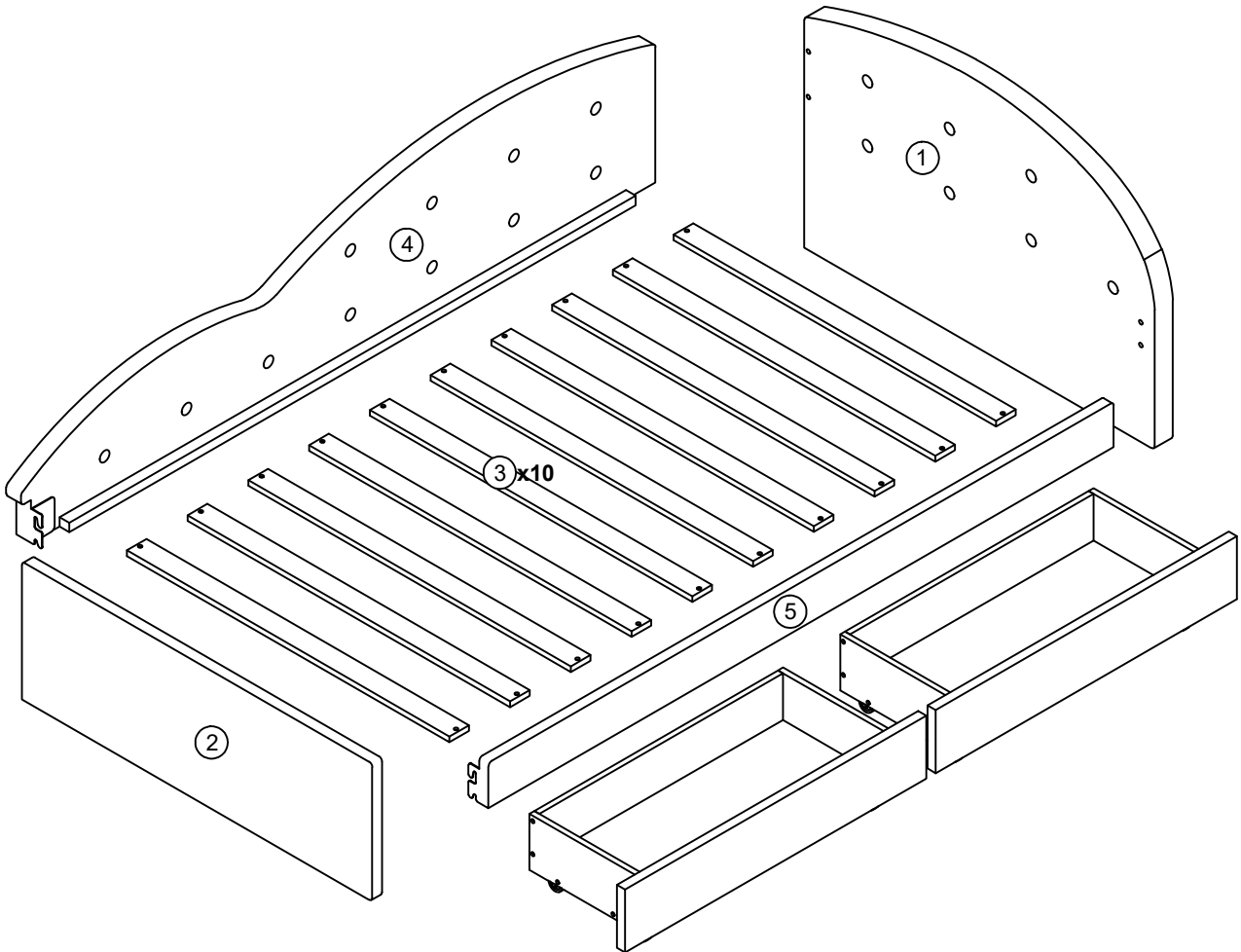
**\*\*PLACE ALL PARTS ON A CLEAN AND SMOOTH SURFACE SUCH AS A RUG OR CARPET TO AVOID THE PARTS FROM BEING SCRATCHED**

**\*\* BEFORE YOU BEGIN , KINDY FOLLOW THE ASSEMBLY INSTRUCTIONS STEP BY STEP**

**\*\*DO NOT TIGHTEN ALL SCREWS AND BOLTS UNTIL THE BED IS FULLY SET-UP**

# ASSEMBLY INSTRUCTIONS

WF 310876/WF 310877

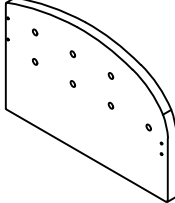
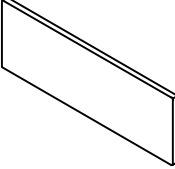
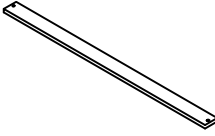


**x2**

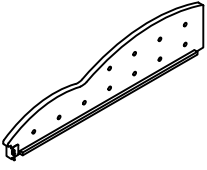
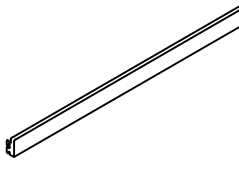
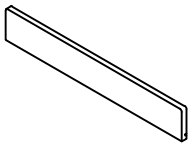
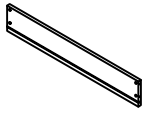
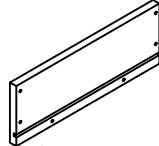
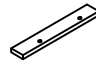
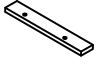

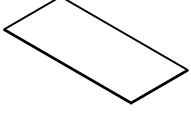

# ASSEMBLY INSTRUCTION

WF 310876/WF 310877

## PART LIST IN: WF 310876

<p>1</p>  <p>Headboard Panel (1 pc)</p>	<p>2</p>  <p>Footboard Panel (1 pc)</p>	<p>3</p>  <p>Roll Slat (10 pcs) 985*60*15</p>
--	--	--



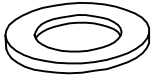
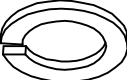
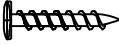
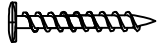



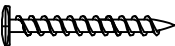

## PART LIST BOX 2: WF 310877

<p>4</p>  <p>Left Side Rail (1 pc)</p>	<p>5</p>  <p>Right Side Rail (1 pc)</p>	<p>6</p>  <p>Drawer Front Panel (2 pcs)</p>
<p>7</p>  <p>Drawer Back Panel (2 pcs)</p>	<p>8</p>  <p>Drawer Side Panel (4 pcs)</p>	<p>9</p>  <p>Drawer Bottom Rail (2 pcs)</p>
<p>10</p>  <p>Drawer Bottom Rail (2 pcs)</p>	<p>11</p>  <p>Drawer Connector (4 pcs)</p>	<p>12</p>  <p>Drawer Bottom Panel (2 pcs)</p>
<p>13</p>  <p>Wheels (8 pcs) 47x25x50mm</p>		

# ASSEMBLY INSTRUCTIONS

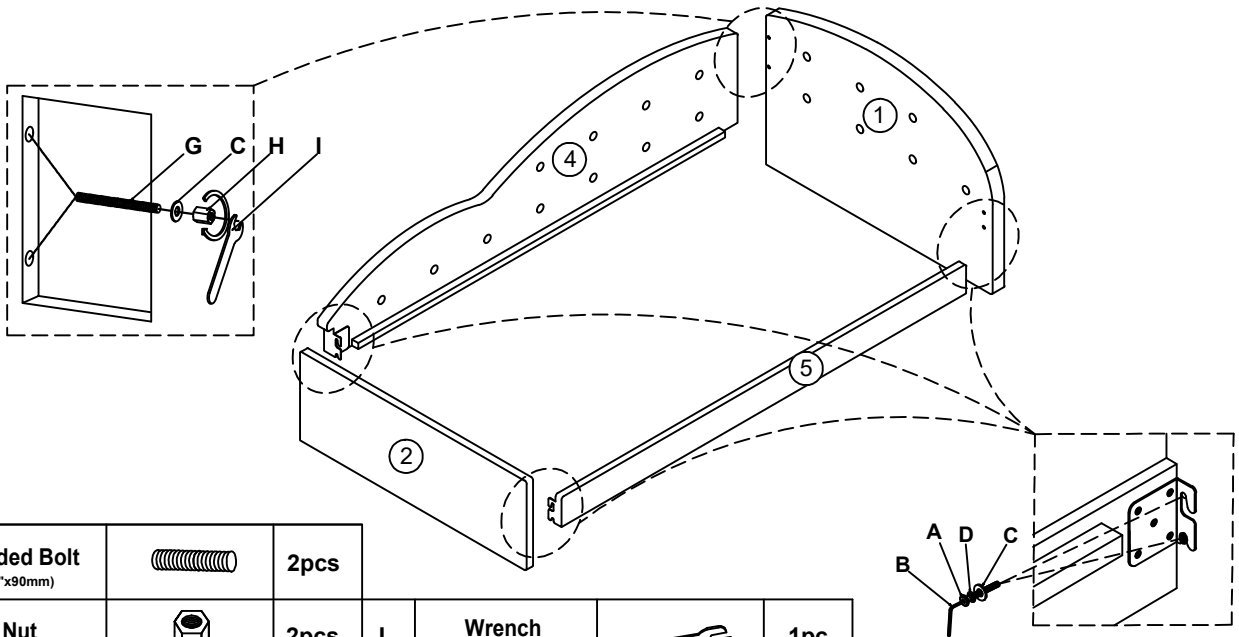
WF 310876/WF 310877








## HARDWARE LIST IN WF 310877

<p><b>A</b></p>  <p><b>Short Bolt (6pcs)</b> (5/16 "X25mm)</p>	<p><b>B</b></p>  <p><b>Allen Wrench (1 pc)</b> (M4x75mm x32mm)</p>	<p><b>C</b></p>  <p><b>Flat Washer (8 pcs)</b></p>
<p><b>D</b></p>  <p><b>Spring Washer (6 pcs)</b></p>	<p><b>E</b></p>  <p><b>Flat Head Screw (32 pcs)</b> ( m4x15mm)</p>	<p><b>F</b></p>  <p><b>Flat Head Screw (28 pcs)</b> ( m4x30mm)</p>
<p><b>G</b></p>  <p><b>Threaded Bolt (2 pcs)</b> ( Ø 5/16 "X90mm )</p>	<p><b>H</b></p>  <p><b>Hex Nut (2 pcs)</b> ( 16mmx13mmx13mm )</p>	<p><b>I</b></p>  <p><b>Wrench (1 pc)</b></p>
<p><b>K</b></p>  <p><b>Flat Head Screw (24 pcs)</b> ( m4x38mm)</p>	<p><b>L</b></p>  <p><b>Plastic Button (24 pcs)</b> (10x10mmx10mm)</p>	

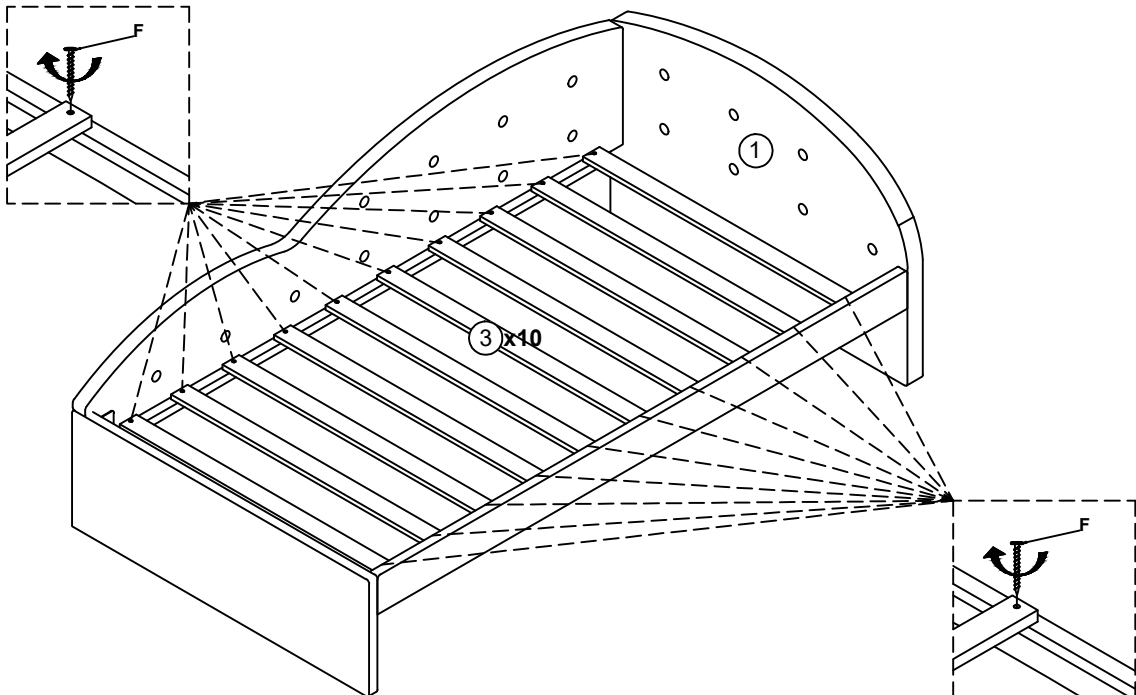
# ASSEMBLY INSTRUCTIONS

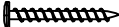
## STEP 1



G	<b>Threaded Bolt</b> (5/16" x 90mm)		2pcs			
H	<b>Hex Nut</b> (16x13x13mm-)		2pcs	I	<b>Wrench</b>	 1pc
A	<b>Bolt</b> (5/16" x 25mm)		6pcs	D	<b>Spring Washer</b>	 6pcs
B	<b>Allen Wrench</b> (M4x75mm x32mm)		1pc	C	<b>Flat Washer</b>	 8pcs

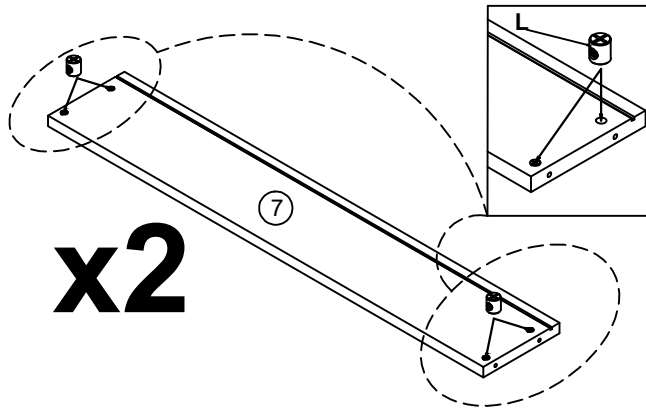
## STEP 2




F	<b>Flat Head Screw</b> (m4x30mm)		20pcs
---	-------------------------------------	---	-------

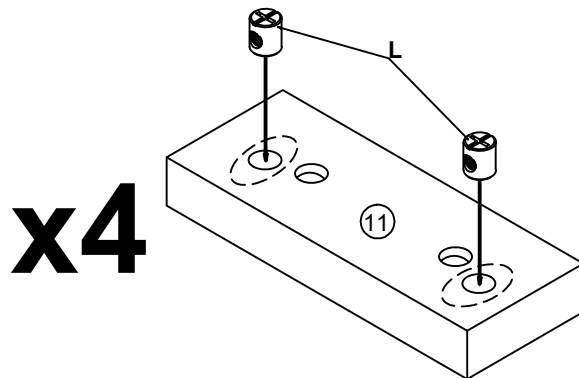
# ASSEMBLY INSTRUCTIONS


## STEP 5



L	Plastic Button (10x10mmx10mm)		8pcs
---	----------------------------------	---	------

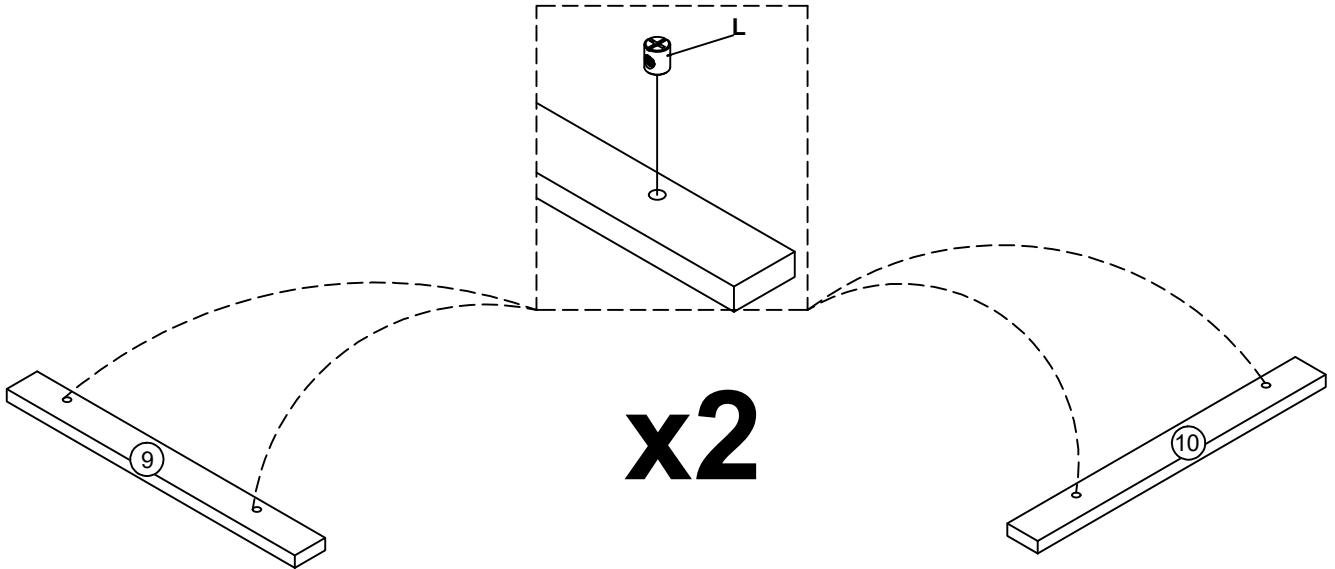
## STEP 6



L	Plastic Button (10x10mmx10mm)		8pcs
---	----------------------------------	---	------

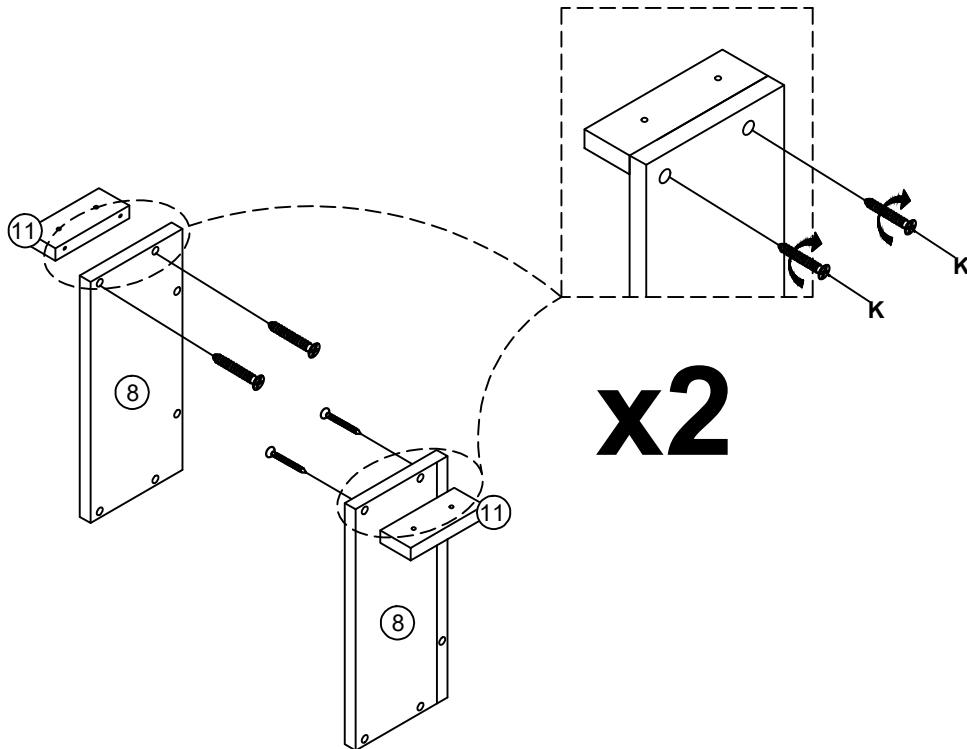
# ASSEMBLY INSTRUCTIONS

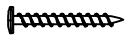
## STEP 7



L	Plastic Button (10x10mmx10mm)		8pcs
---	----------------------------------	---	------

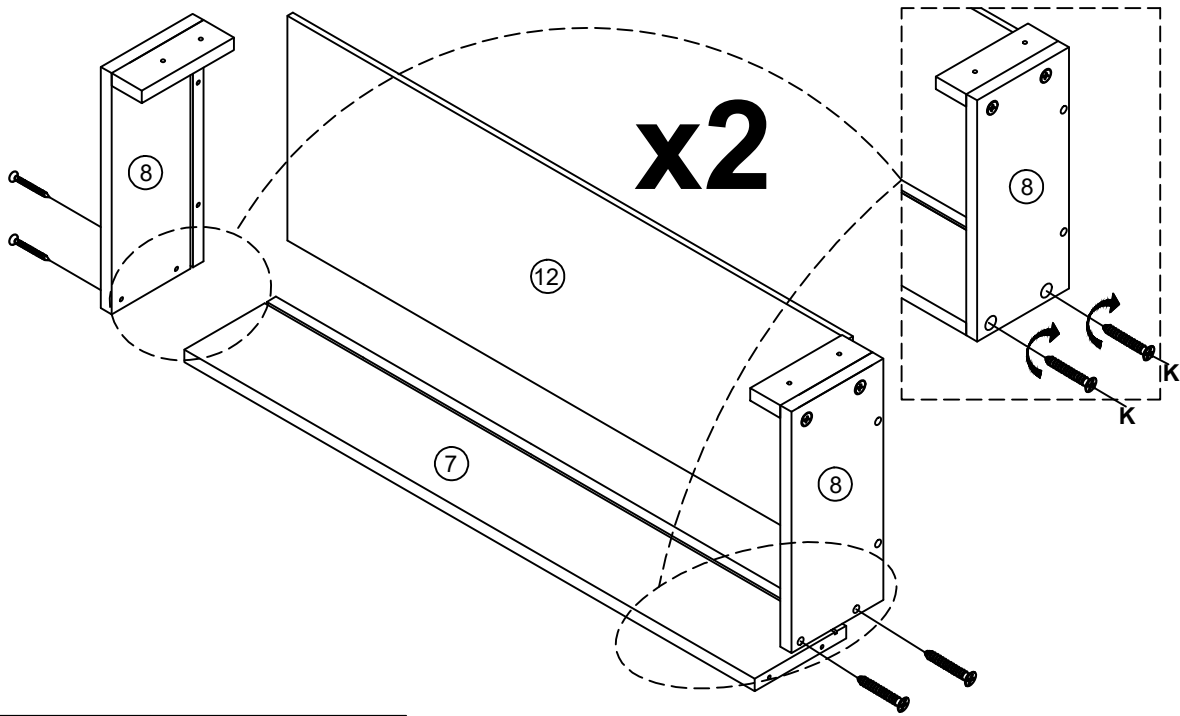
## STEP 8

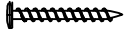


K	Flat Head Screw (m4x38mm)		8pcs
---	------------------------------	---	------

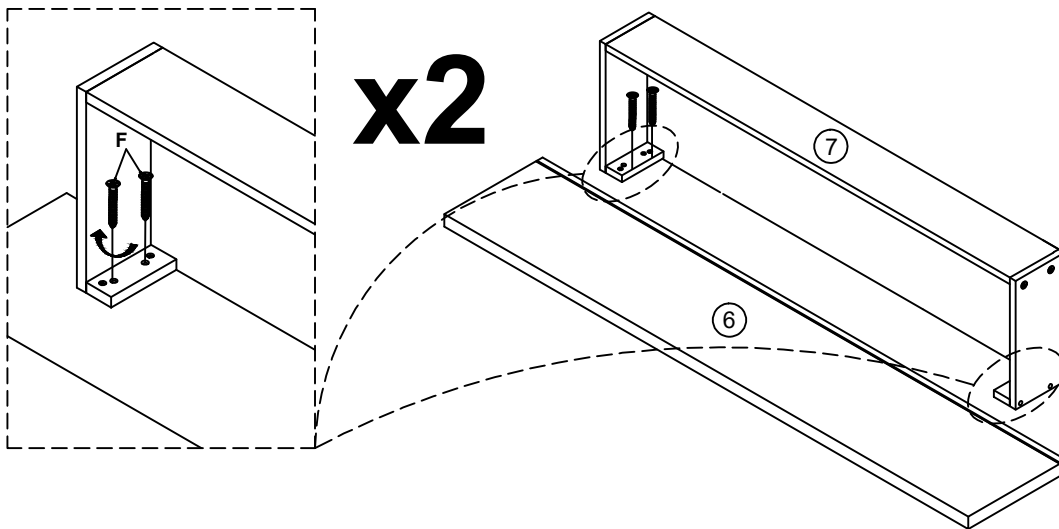
# ASSEMBLY INSTRUCTIONS

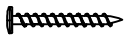
## STEP 9



K	Flat Head Screw (m4x38mm)		8pcs
---	------------------------------	---	------

## STEP 10

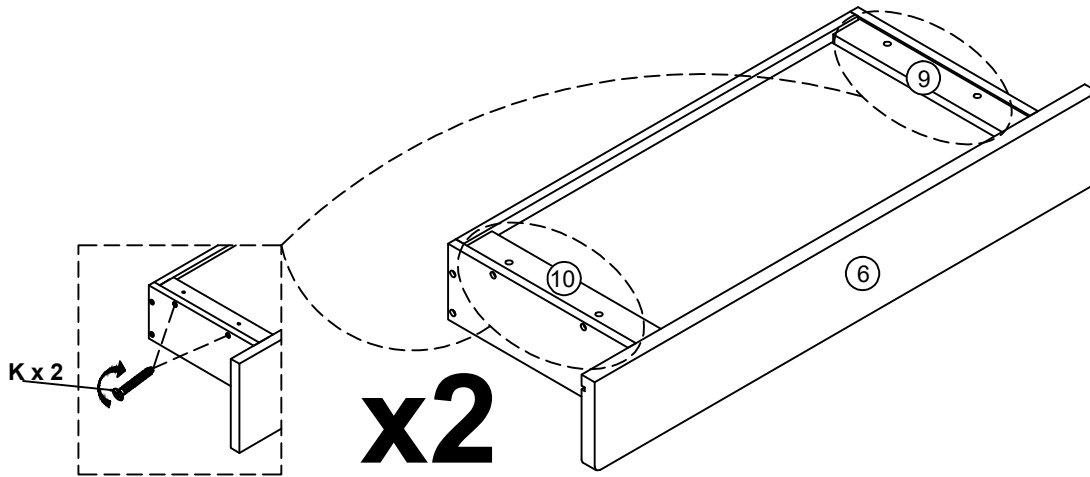


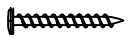
F	Flat Head Screw (m4x30mm)		8pcs
---	------------------------------	---	------



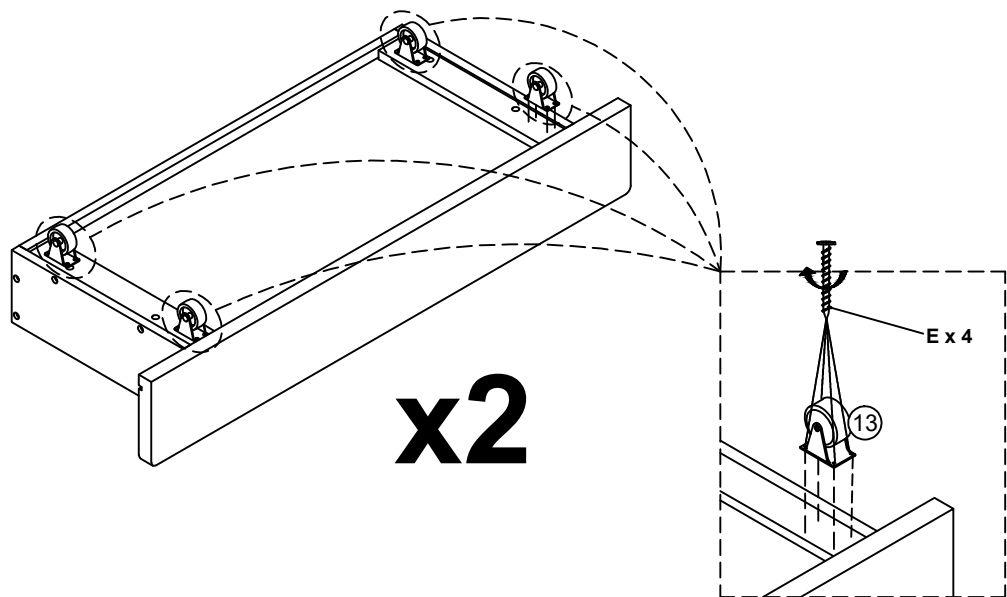
# ASSEMBLY INSTRUCTIONS

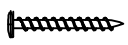
## STEP 11



K	Flat Head Screw (m4x38mm)		8pcs
---	------------------------------	---	------

## STEP 12



E	Flat Head Screw (m4x15mm)		32pcs
---	------------------------------	---	-------

# ASSEMBLY INSTRUCTIONS

**STEP 11**  
**COMPLETE**

