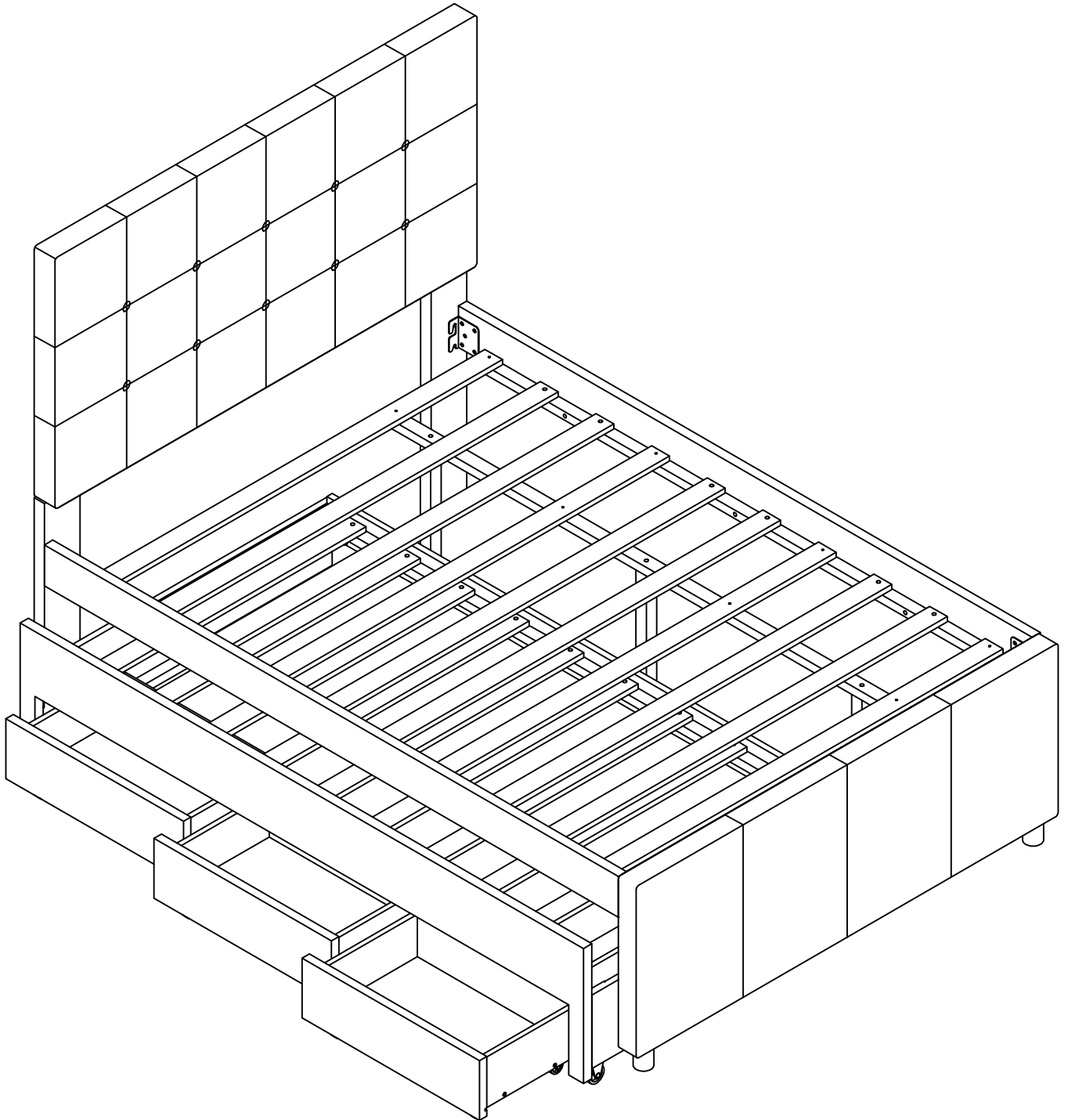


# ASSEMBLY INSTRUCTIONS

WF 302058/ WF 302059/ WF 302060



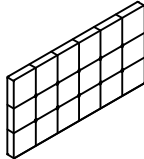

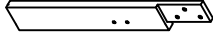
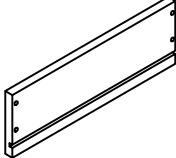
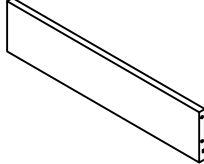
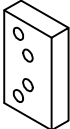
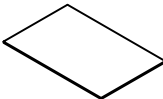
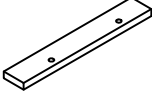
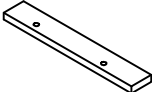
## IMPORTANT NOTE

- \*\*PLACE ALL PARTS ON A CLEAN AND SMOOTH SURFACE SUCH AS A RUG OR CARPET TO AVOID THE PARTS FROM BEING SCRATCHED**
- \*\* BEFORE YOU BEGIN , KINDY FOLLOW THE ASSEMBLY INSTRUCTIONS STEP BY STEP**
- \*\*DO NOT TIGHTEN ALL SCREWS AND BOLTS UNTIL THE BED IS FULLY SET-UP**

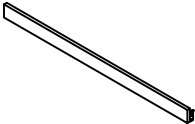

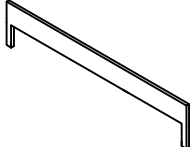
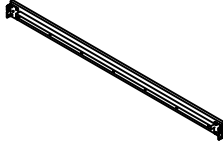
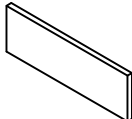
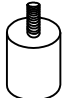


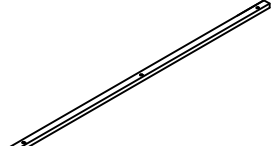
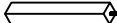
# ASSEMBLY INSTRUCTIONS

WF 302058/ WF 302059/WF 302060

## PART LIST BOX 1: WF 302058

<p>1</p>  <p>Headboard (1 pc)</p>	<p>2</p>  <p>Left Headboard Leg (1 pc)</p>	<p>3</p>  <p>Right Headboard Leg (1 pc)</p>
<p>4</p>  <p>Side Pull Box (6 pcs)</p>	<p>5</p>  <p>Back Panel Pull Box (3 pcs)</p>	<p>6</p>  <p>Stand in Pull Box (6 pcs)</p>
<p>7</p>  <p>Pull Box Bottom Board (3 pcs)</p>	<p>8</p>  <p>Drawer Bottom Rail (3 pcs)</p>	<p>9</p>  <p>Drawer Bottom Rail (3 pcs)</p>

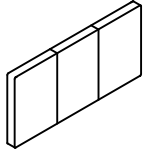
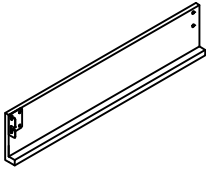
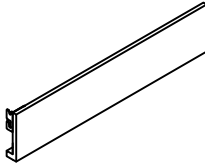
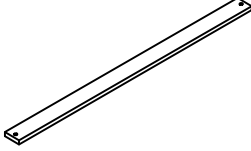
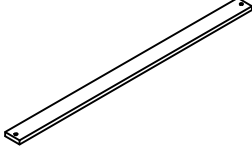
## PART LIST BOX 3: WF 302060

<p>14</p>  <p>Left Lower Rail (1 pc)</p>	<p>15</p>  <p>Right Lower Rail (1pc)</p>	<p>16</p>  <p>Front Panel Trundle (1 pc)</p>
<p>17</p>  <p>Back Panel Trundle (1 pc)</p>	<p>18</p>  <p>Pull Box Bottom Board (3pcs)</p>	<p>19</p>  <p>Leg (2 pcs)</p>
<p>20</p>  <p>(m47x25mmx50mm) Wheels (12pcs)</p>	<p>21</p>  <p>( m59x42mmx66mm) Wheels (4 pcs)</p>	<p>22</p>  <p>Center Rail (1 pc)</p>
<p>23</p>  <p>Slat Support With Leveler (3 pcs)</p>		





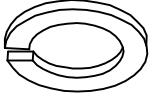
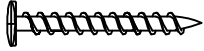
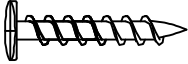
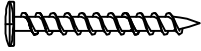

# ASSEMBLY INSTRUCTIONS

WF 302058/ WF 302059/WF 302060

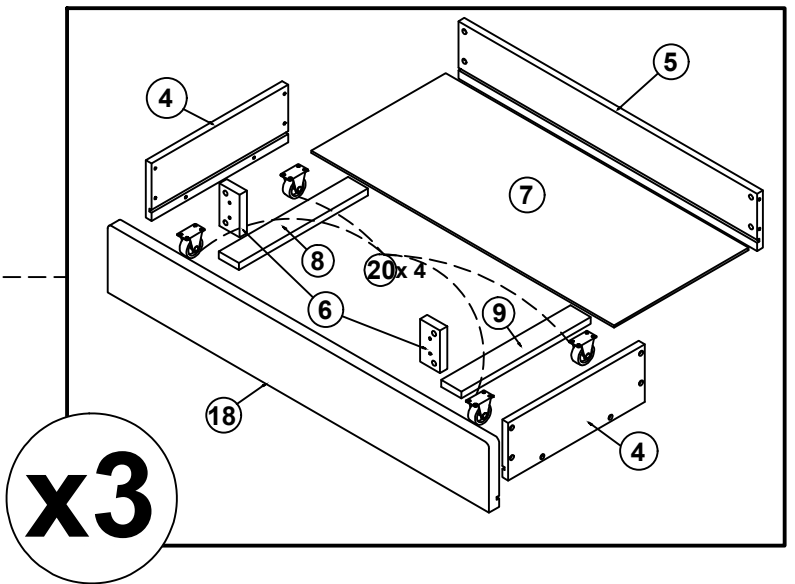
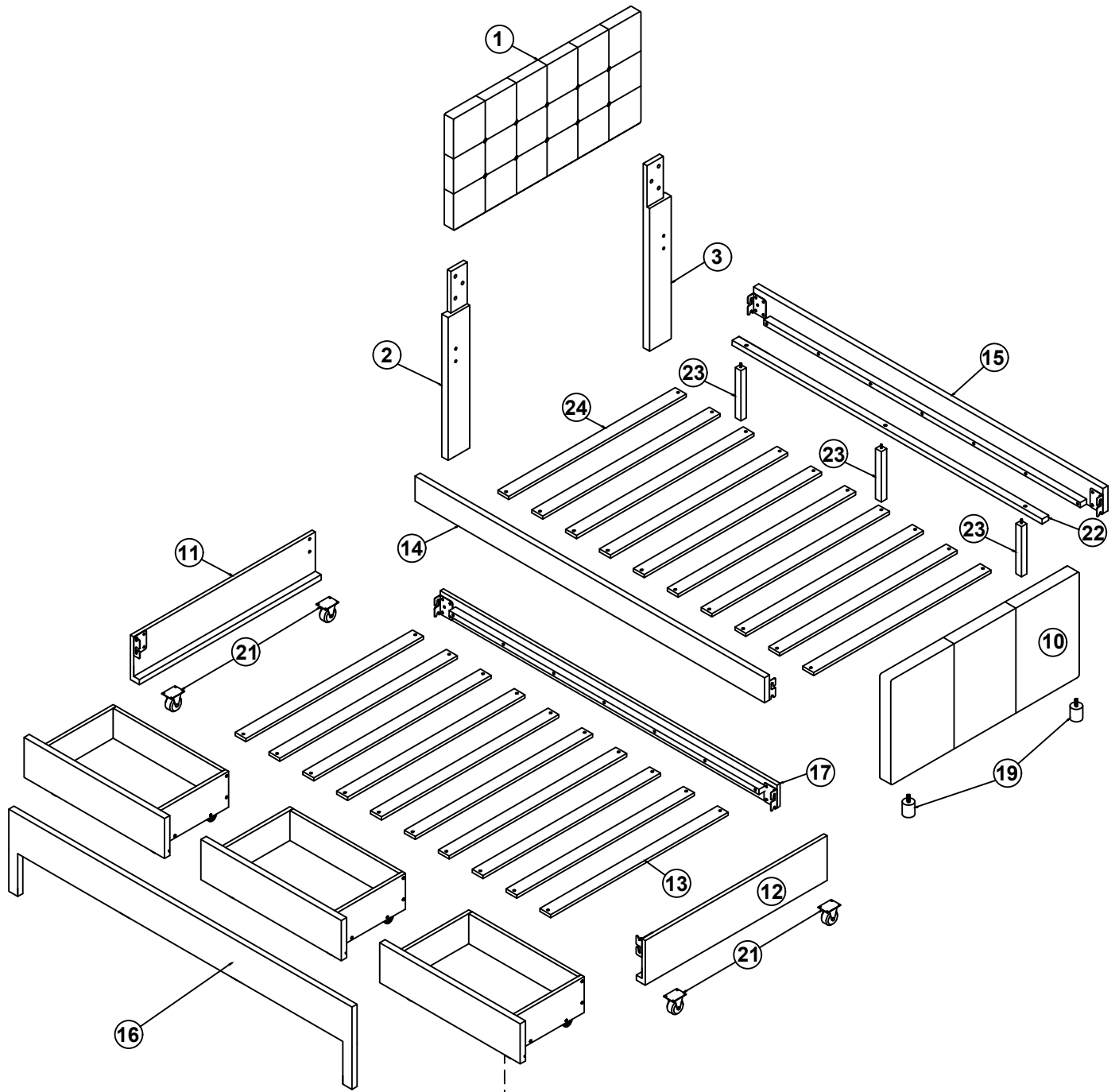
## PART LIST BOX 2: WF 302059

<p><b>10</b></p>  <p>Footboard (1 pcs)</p>	<p><b>11</b></p>  <p>Left Trundle End Panel (1 pc)</p>	<p><b>12</b></p>  <p>Right Trundle End Panel (1 pc)</p>
<p><b>13</b></p>  <p>Roll Slat (10 pcs) 985*60*15</p>	<p><b>24</b></p>  <p>Roll Slat (10 pcs) 1365*60*15</p>	

## HARDWARE LIST IN WF 302060

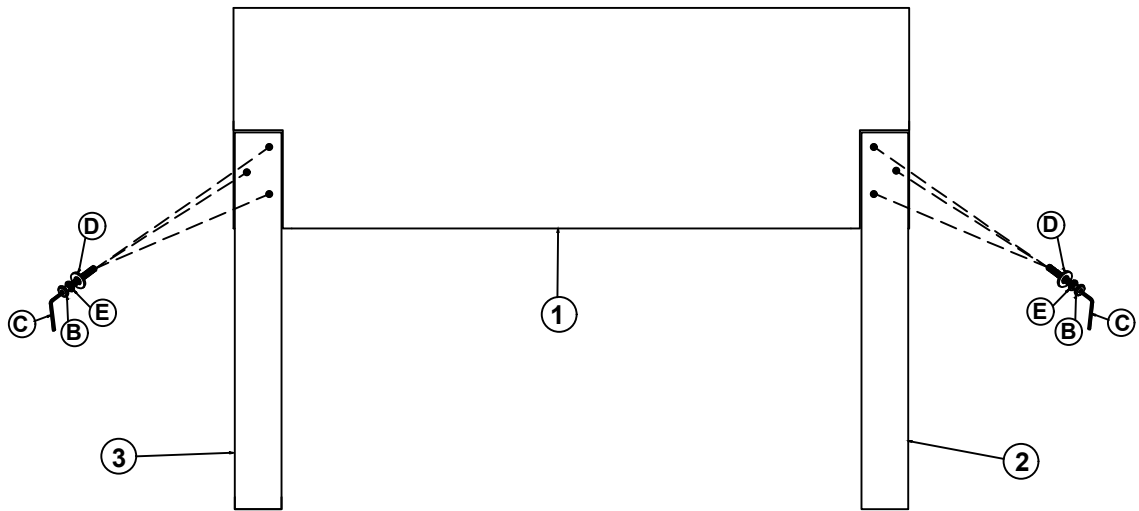
<p><b>A</b></p>  <p>(Ø 5/16 "X20mm) Short Bolt (16pcs)</p>	<p><b>B</b></p>  <p>(Ø 5/16 "X38mm) Long Bolt (6 pcs)</p>	<p><b>C</b></p>  <p>(M4x75mm x32mm) Allen Wrench (1 pc)</p>
<p><b>D</b></p>  <p>(Ø 5/16 "-RBW) Flat Washer (22 pcs)</p>	<p><b>E</b></p>  <p>(Ø 5/16 "-RBW) Spring Washer (22 pcs)</p>	<p><b>F</b></p>  <p>(m4x30mm-RBW) Flat Head Screw (56 pcs)</p>
<p><b>G</b></p>  <p>(m4x20mm-RBW) Flat Head Screw (64 pcs)</p>	<p><b>H</b></p>  <p>(m4x38mm-RBW) Flat Head Screw (36 pcs)</p>	<p><b>I</b></p>  <p>(Ø10x10mm x10mm) Plastic Button (36 pcs)</p>





# Exploded View



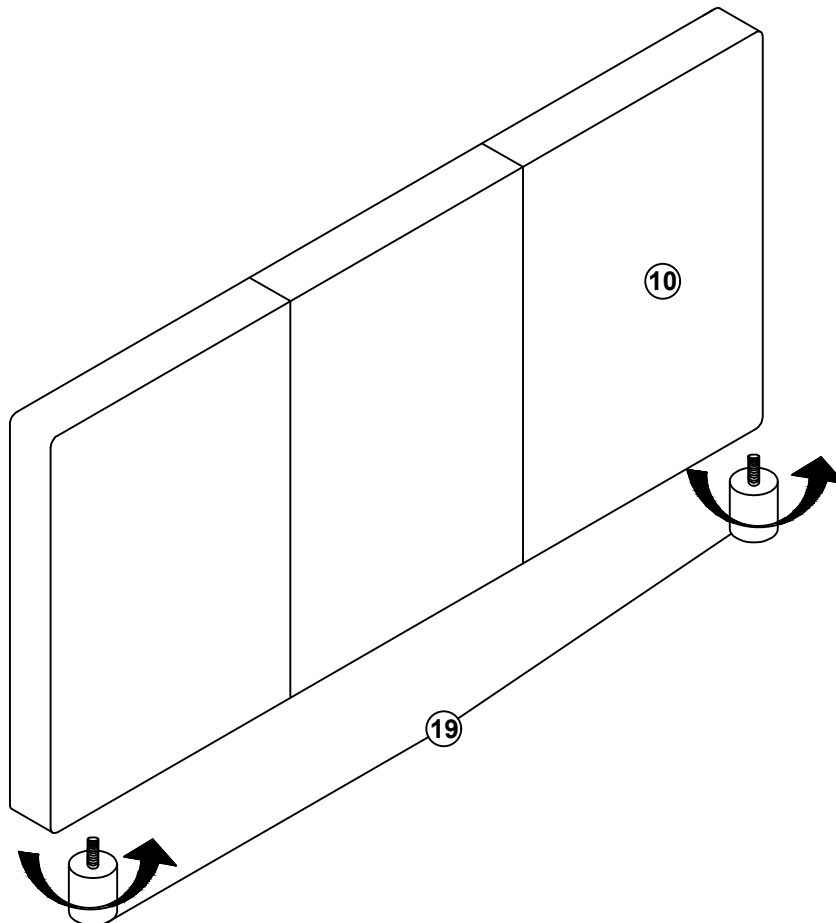
# ASSEMBLY INSTRUCTIONS

## STEP 1



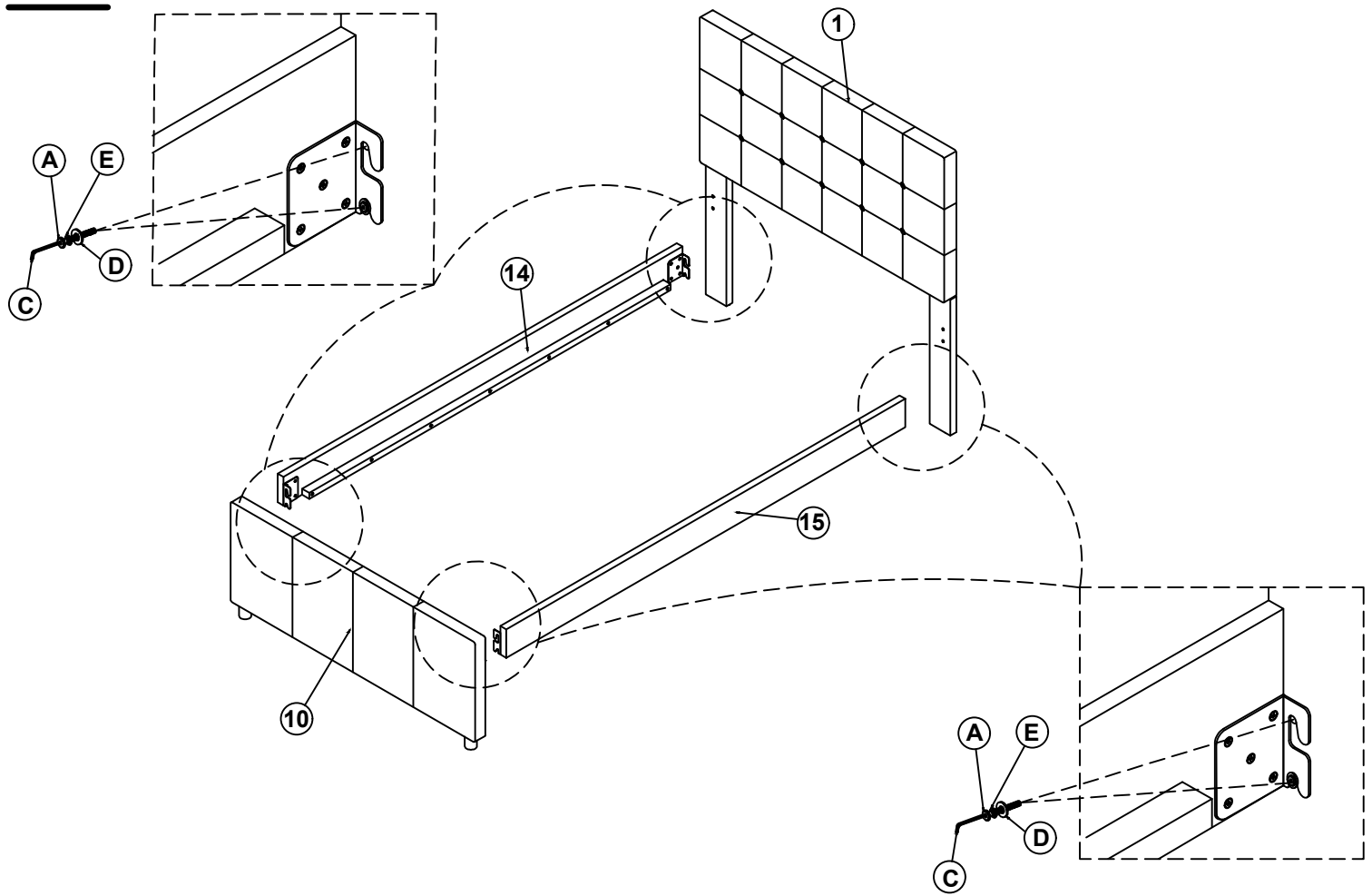
B	<b>Bolt</b> (Ø 5/16 "X38mm)		6pcs	D	<b>Flat Washer</b> (Ø 5/16 "-RBW)		6pcs
E	<b>Spring Washer</b> (Ø 5/16 "-RBW)		6pcs	C	<b>Allen Wrench</b> (M4x75mm x32mm)		1pc





## STEP 2



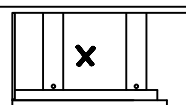
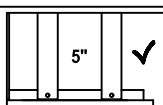
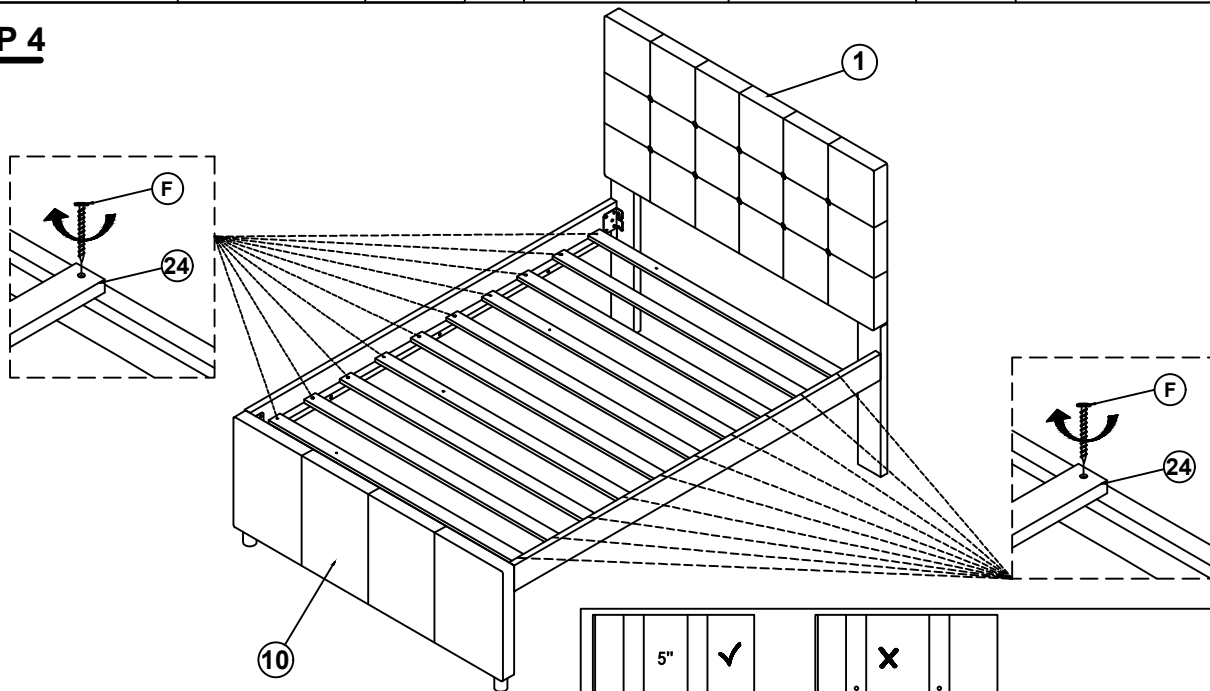
# ASSEMBLY INSTRUCTIONS

## STEP 3

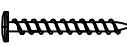


A	<b>Bolt</b> (Ø 5/16 "X20mm)		8pcs	D	<b>Flat Washer</b> (Ø 5/16 "-RBW)		8pcs
E	<b>Spring Washer</b> (Ø 5/16 "-RBW)		8pcs	C	<b>Allen Wrench</b> (M4x75mm x32mm)		1pc

## STEP 4

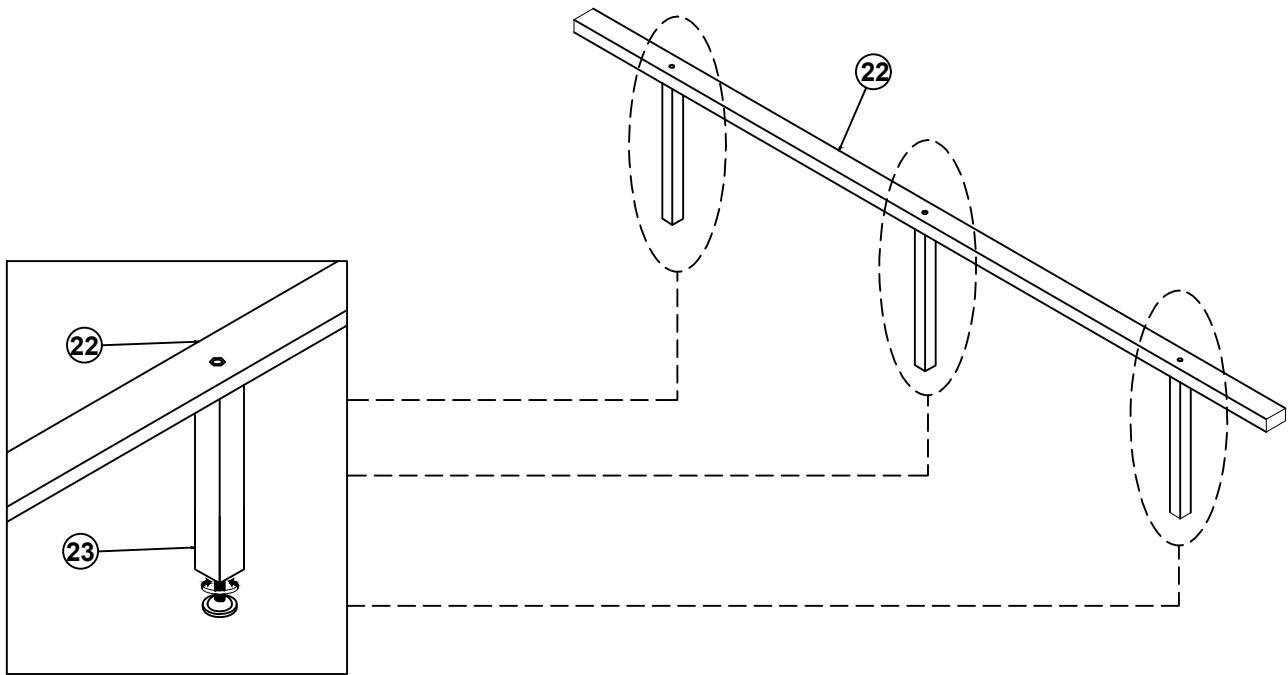


**NOTE:** Do not lock the screws of the trundle slats to the utermost edge the trundle slats,you need to leave a certain space at the edges, otherwise it will cause the board to break.

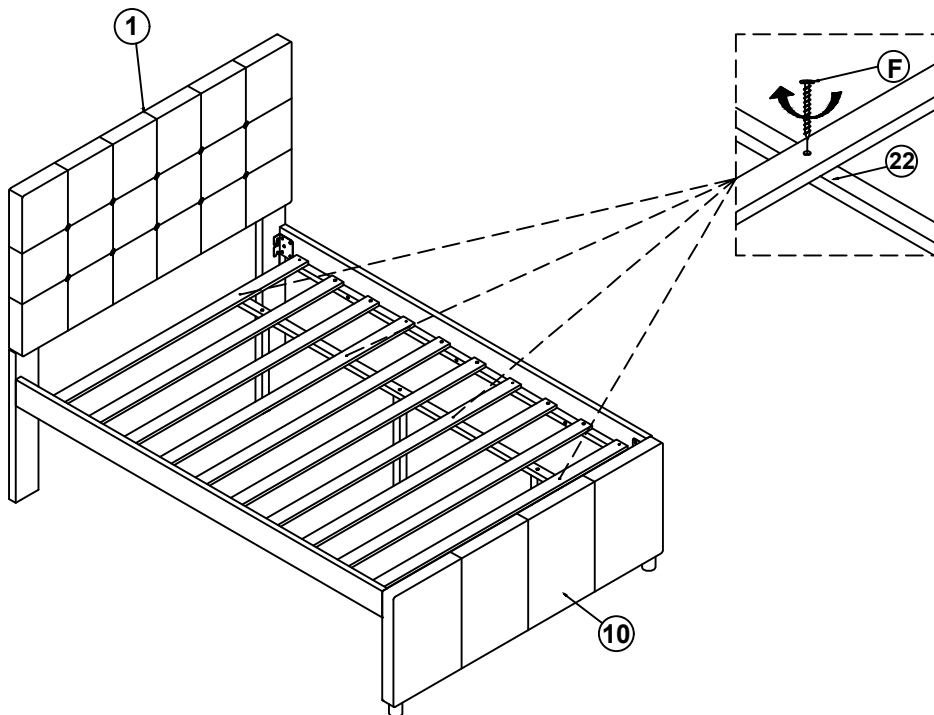
F	<b>Flat Head Screw</b> (m4x30mm-RBW)		20pcs
---	---	---	-------

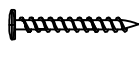
# ASSEMBLY INSTRUCTIONS

## STEP 5



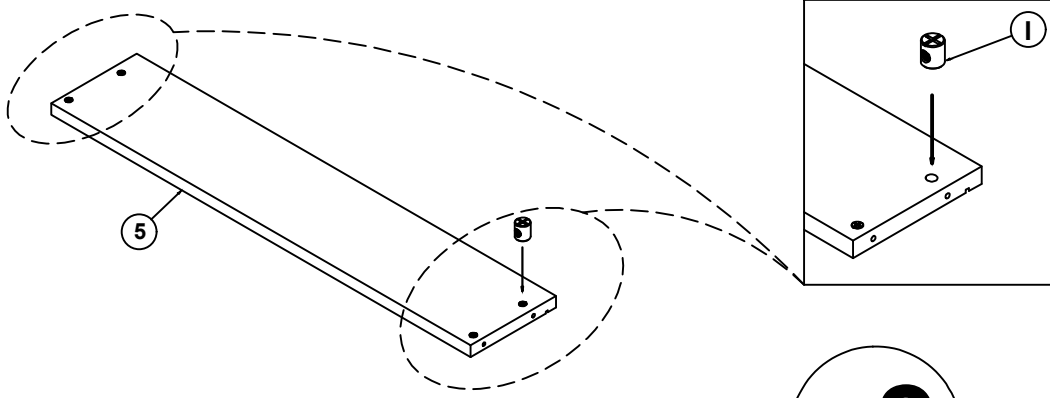
## STEP 6




F	Flat Head Screw (m4x30mm-RBW)		4pcs
---	----------------------------------	---	------

# ASSEMBLY INSTRUCTIONS

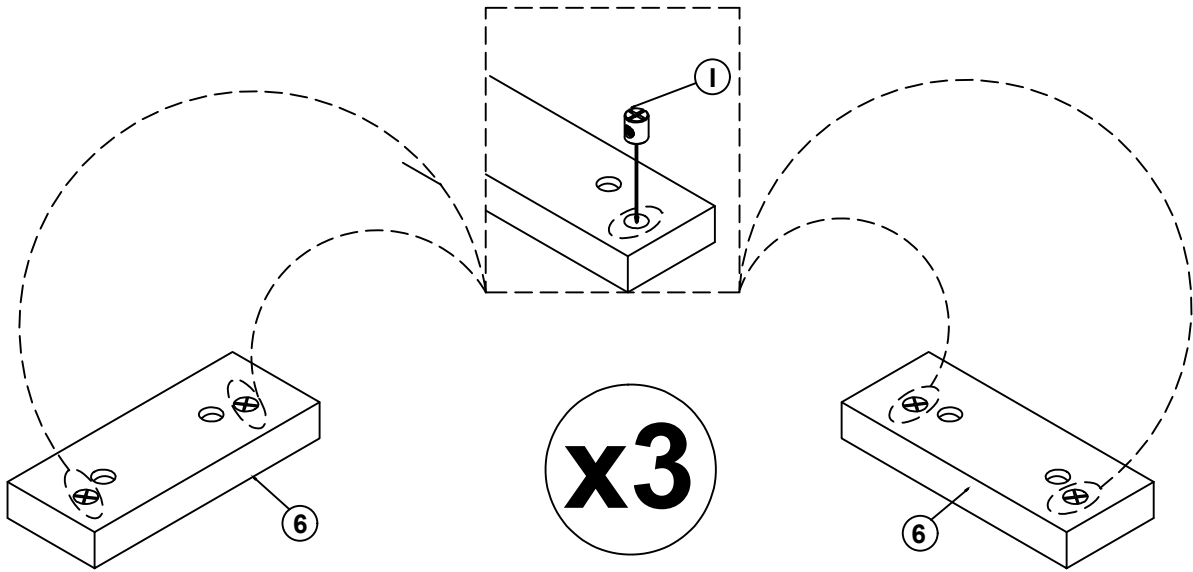
## STEP 7




x3

I	Plastic Button (Ø10x10mmx10mm)		12pcs
---	-----------------------------------	---	-------

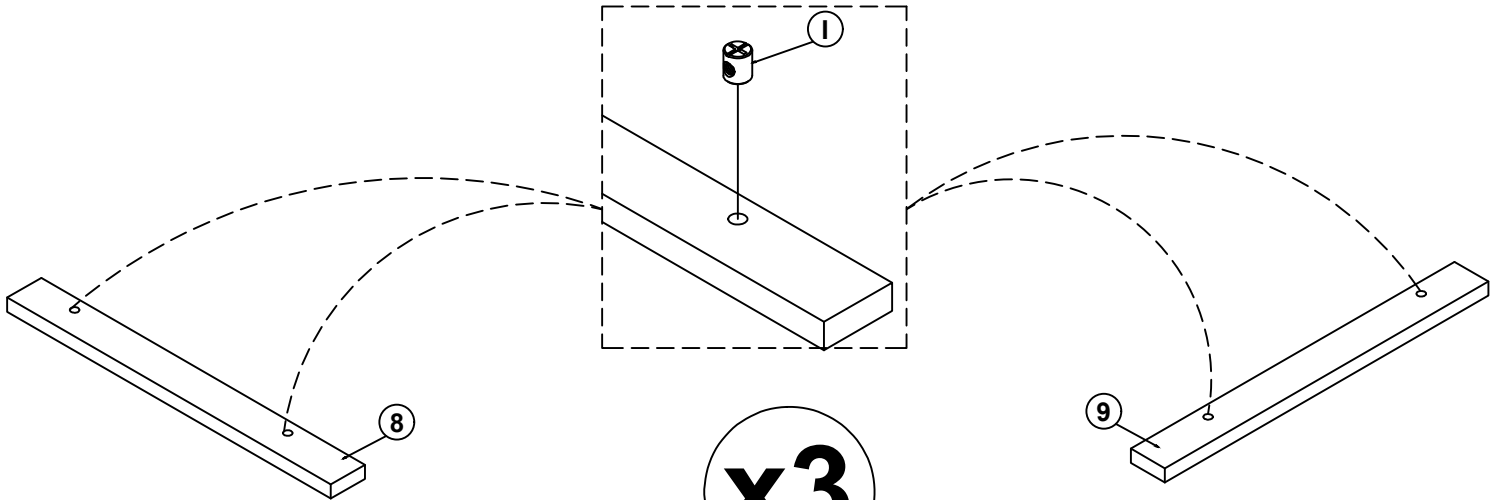
## STEP 8




x3

I	Plastic Button (Ø10x10mmx10mm)		12pcs
---	-----------------------------------	---	-------

## STEP 9



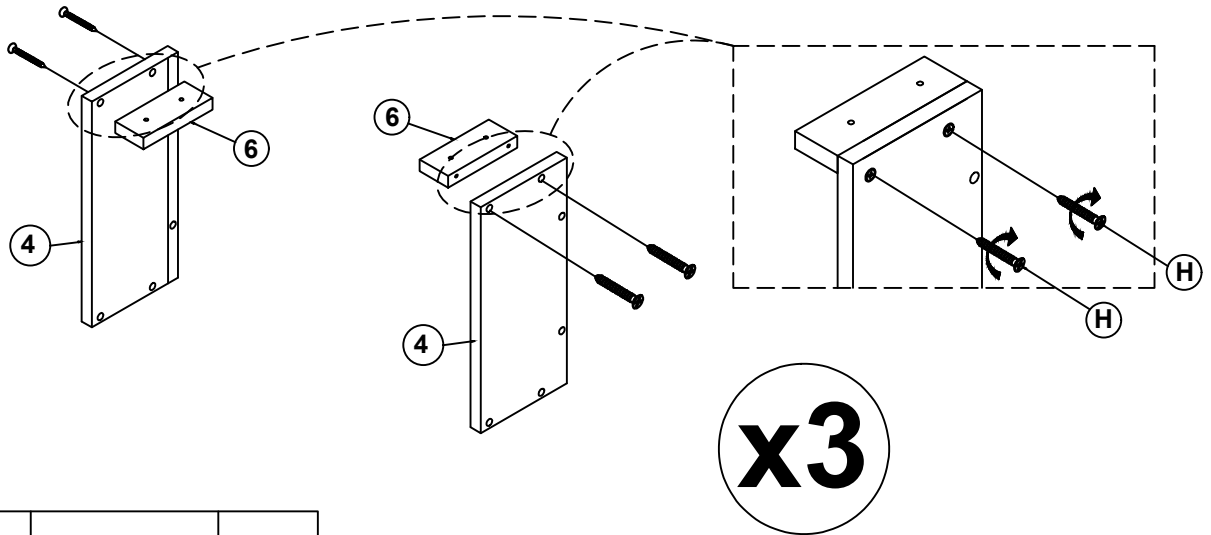
x3

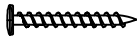
I	Plastic Button (Ø10x10mmx10mm)		12pcs
---	-----------------------------------	---	-------



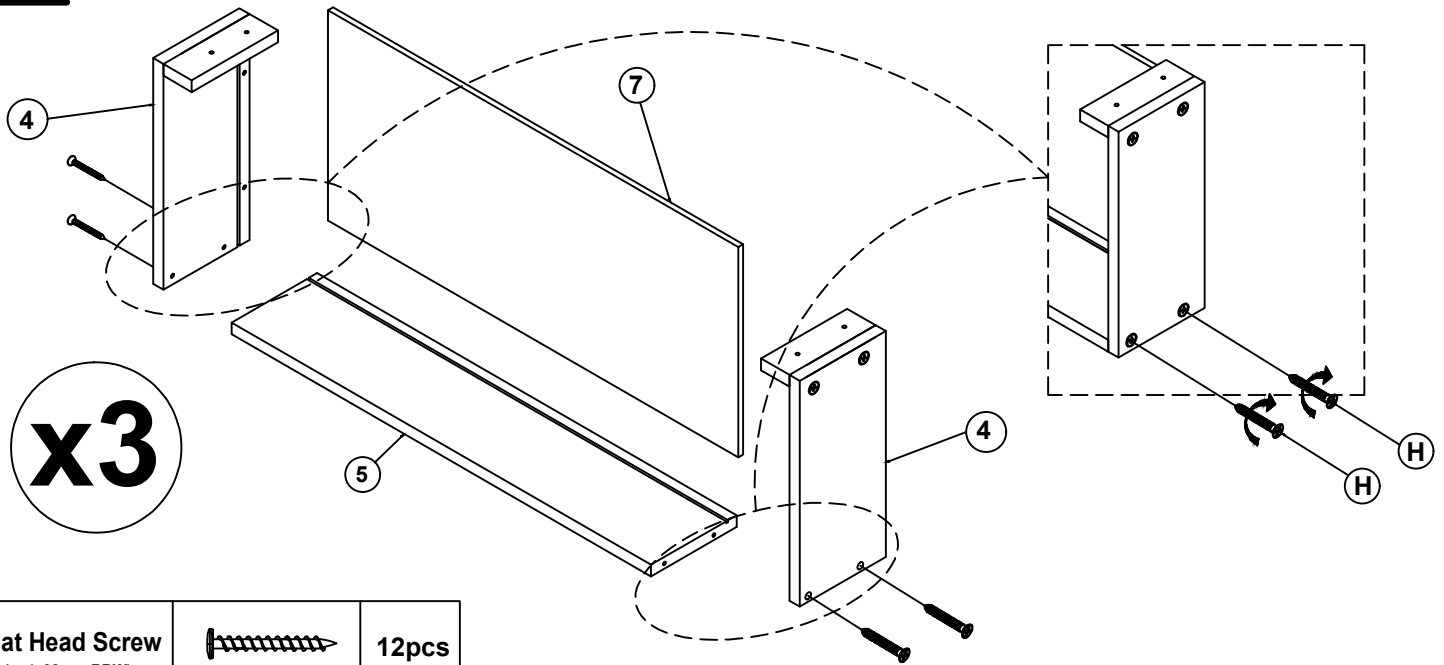
# ASSEMBLY INSTRUCTIONS

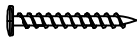
## STEP 10



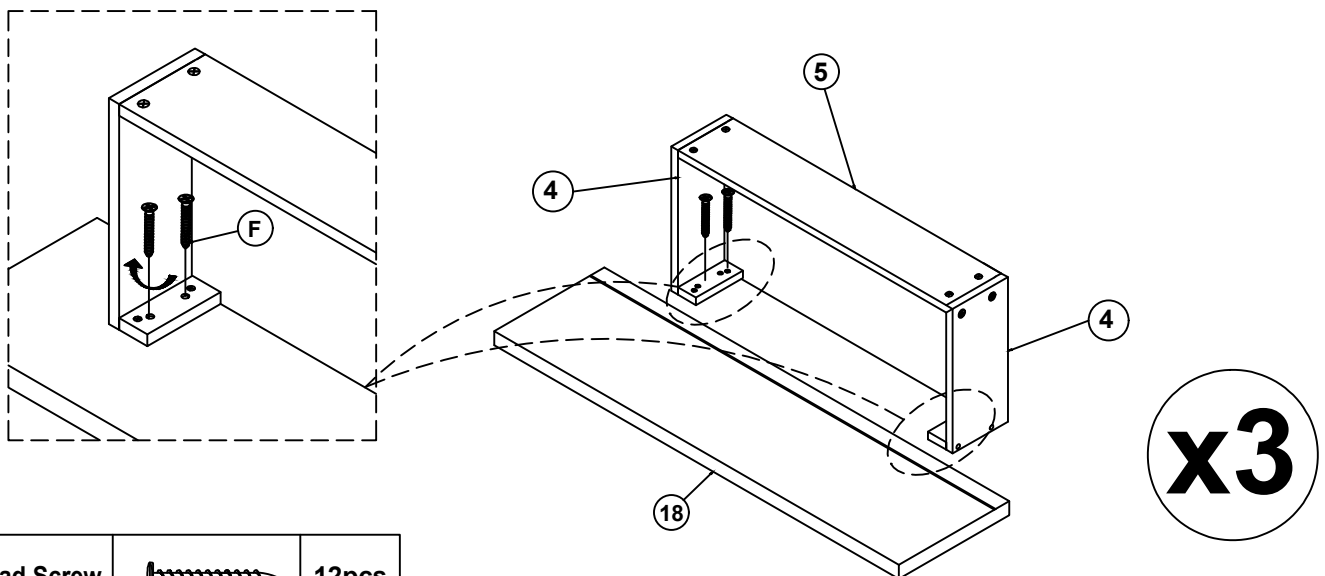
H	Flat Head Screw (m4x38mm-RBW)		12pcs
---	----------------------------------	---	-------

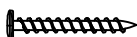
## STEP 11



H	Flat Head Screw (m4x38mm-RBW)		12pcs
---	----------------------------------	---	-------

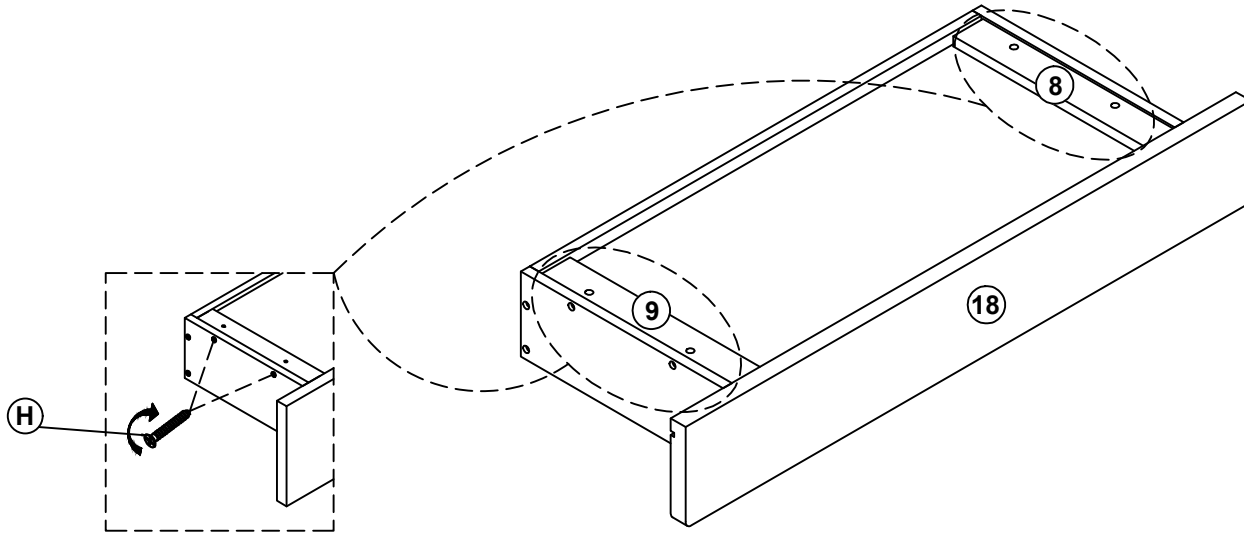
## STEP 12



F	Flat Head Screw (m4x30mm-RBW)		12pcs
---	----------------------------------	---	-------

# ASSEMBLY INSTRUCTIONS

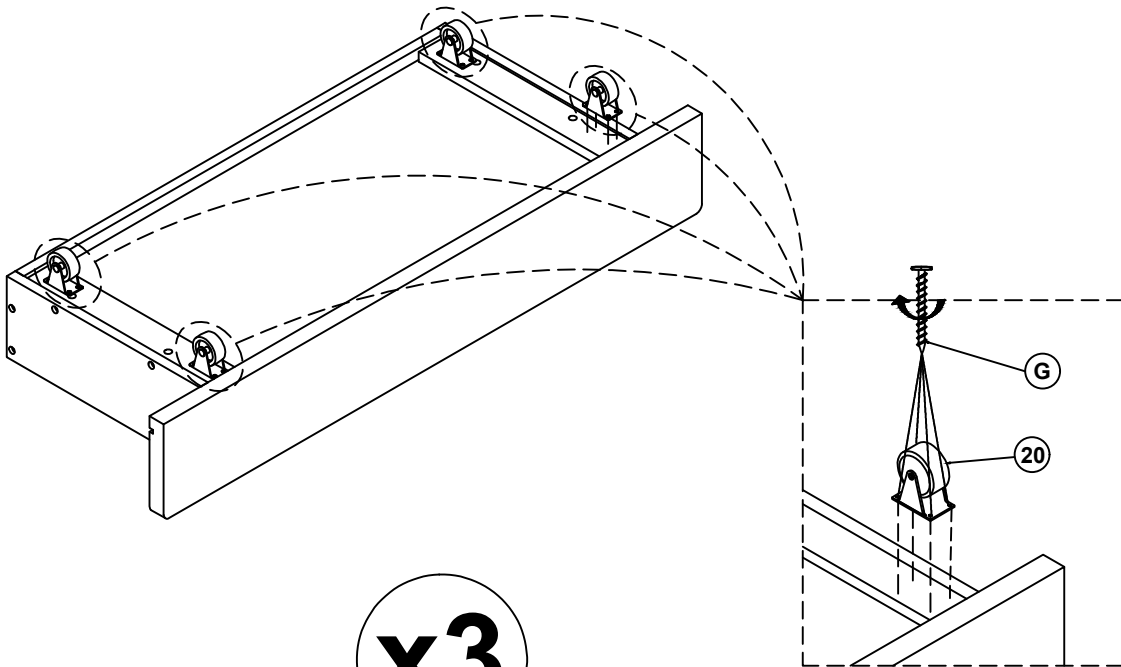
## STEP 13



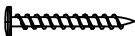
**x3**

<b>H</b>	<b>Flat Head Screw</b> (m4x38mm-RBW)		<b>12pcs</b>
----------	---	---	--------------

## STEP 14

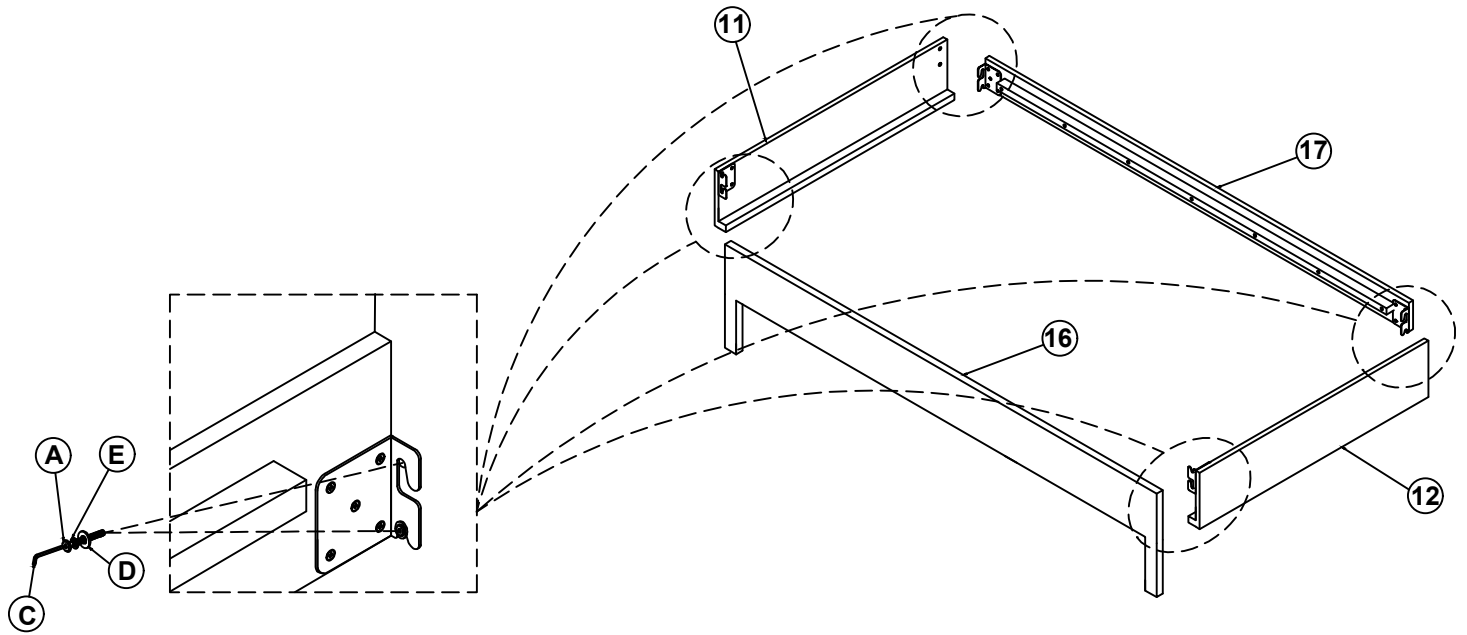






**x3**

<b>G</b>	<b>Flat Head Screw</b> (m4x20mm-RBW)		<b>48pcs</b>
----------	---	---	--------------

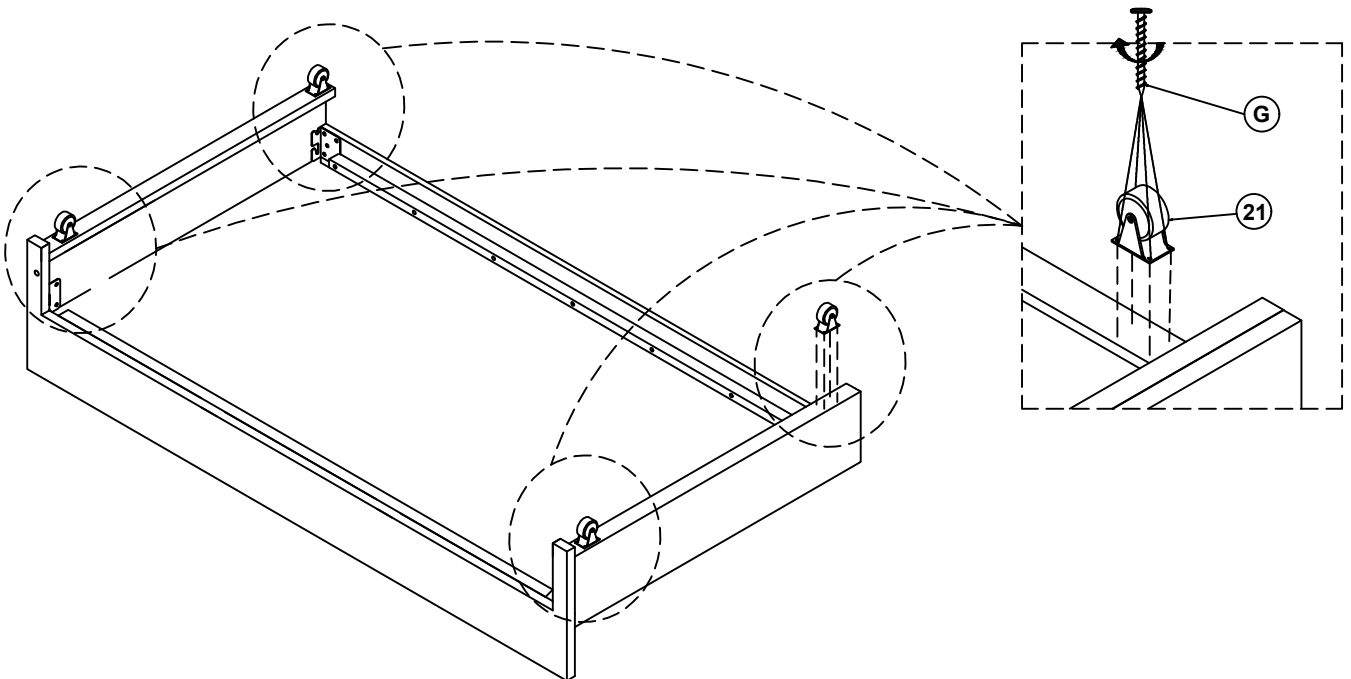
# ASSEMBLY INSTRUCTIONS

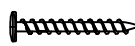
## STEP 15



A	<b>Bolt</b> (Ø 5/16 "X20mm)		8pcs	D	<b>Flat Washer</b> (Ø 5/16 "-RBW)		8pcs
E	<b>Spring Washer</b> (Ø 5/16 "-RBW)		8pcs	C	<b>Allen Wrench</b> (M4x75mm x32mm)		1pc

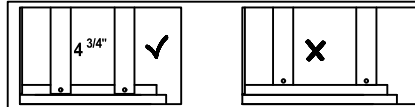
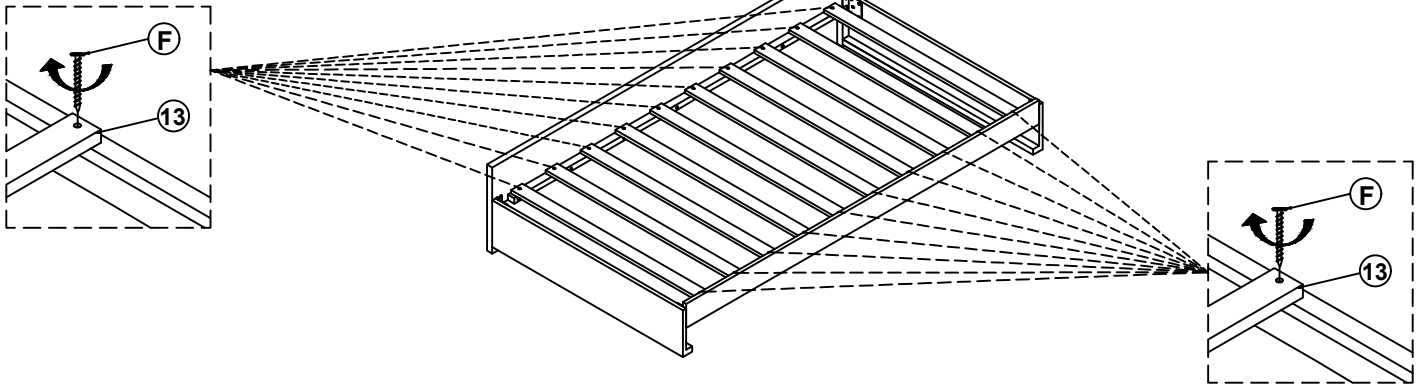
## STEP 16



G	<b>Flat Head Screw</b> (m4x20mm-RBW)		16pcs
---	---	---	-------

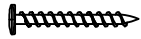
# ASSEMBLY INSTRUCTIONS

## STEP 17



**NOTE:** Do not lock the screws of the trundle slats to the utermost edge the trundle slats,you need to leave a certain space at the edges, otherwise it will cause the board to break.

**F** Flat Head Screw  
( m4x30mm-RBW)



20pcs

## STEP 18 COMPLETE

