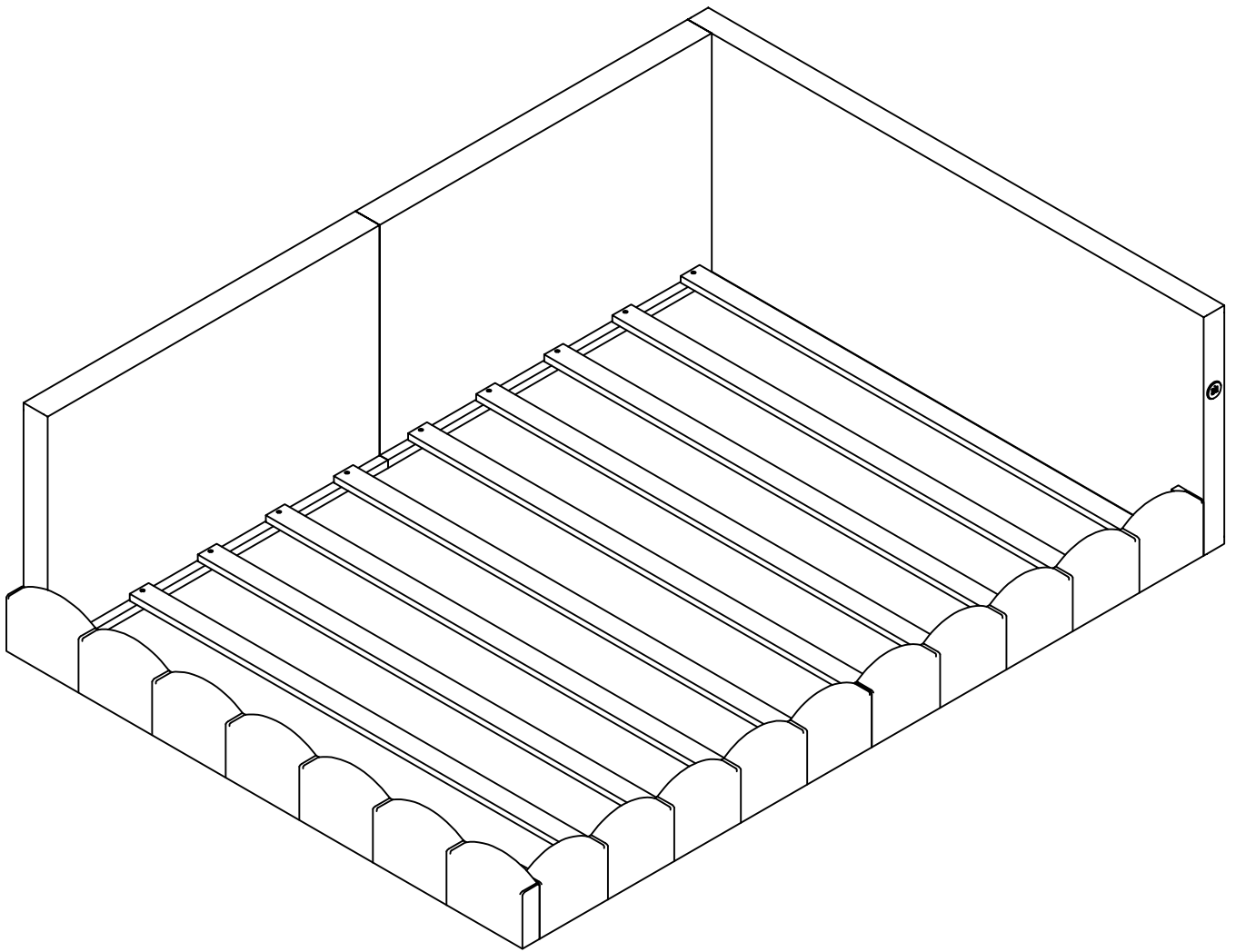
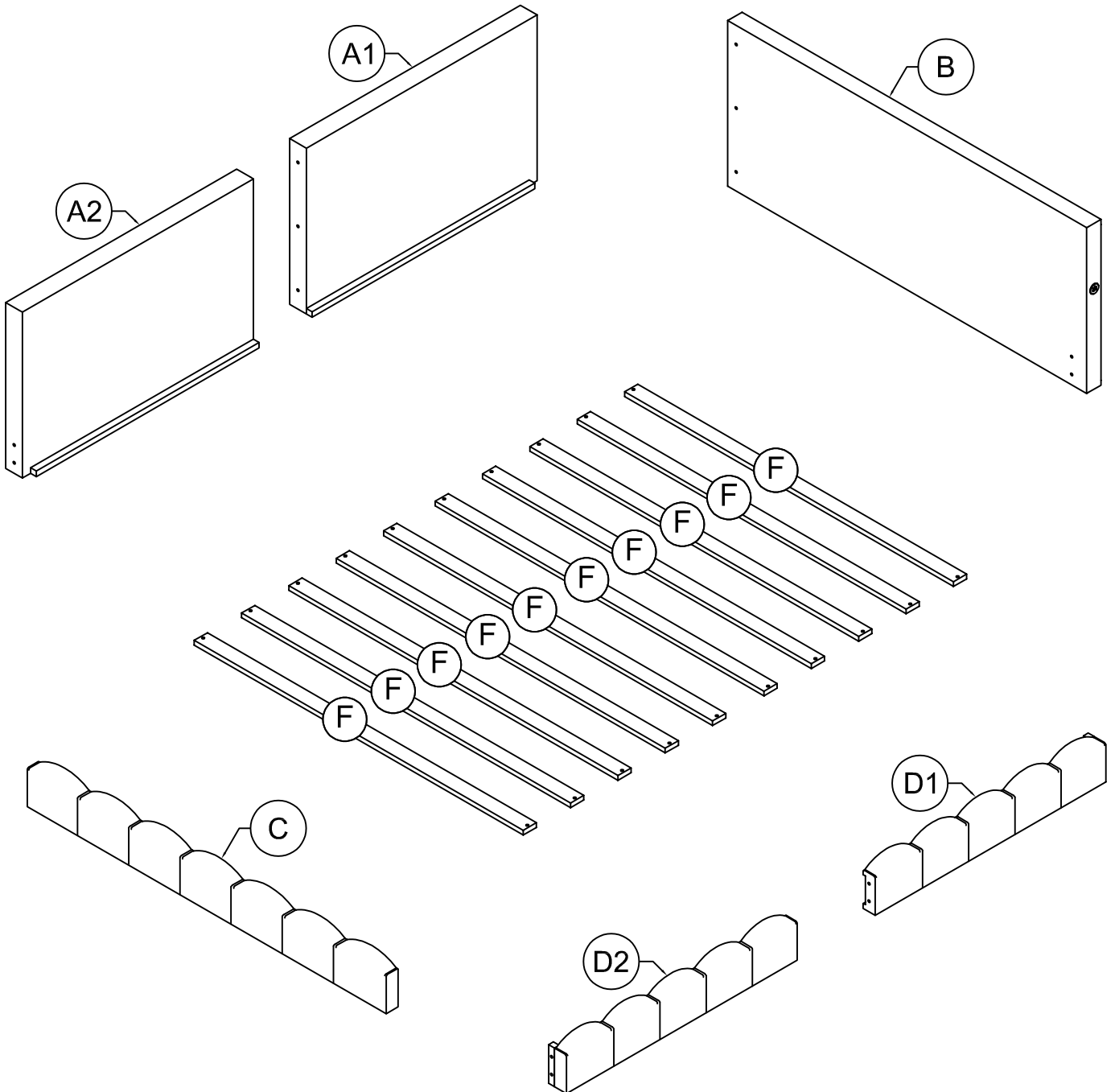


# ASSEMBLY INSTRUCTION

SKU CODE: (WF310991 / WF310993)

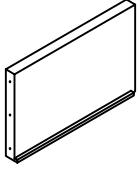


# ASSEMBLY INSTRUCTION



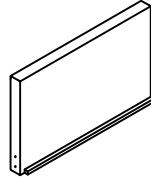
# Part List (WF310991)

A1



Side Rails (L) - 1pcs

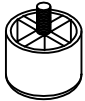
A2



Side Rails (L) - 1pcs

# Hardware List (WF310991)

1



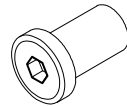
Plastic Feet(Ø50x40)  
10pcs

2



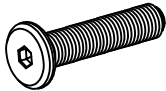
Allen Key 2pcs

3



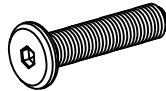
1/4" x 25mm  
Sleeve Nut 8pcs

4



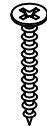
1/4" x 50mm  
Hex-Head bolts 6pcs

5

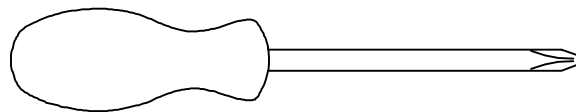


1/4" x 30mm  
Hex-Head bolts 8pcs

6



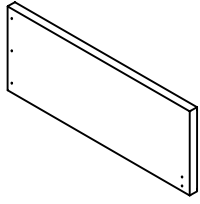
M4 x 30 mm  
Wood Screws 20pcs



**Assembly Tools Required (Not Included)**

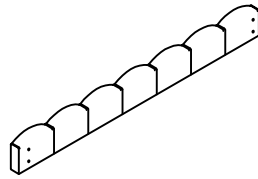
# Part List (WF310993)

B



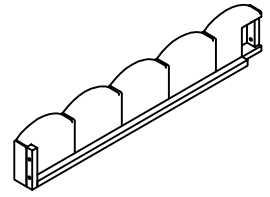
HB Frames - 1pc

C



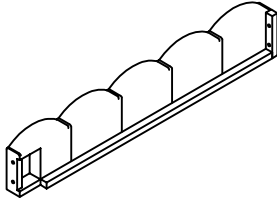
FB Frames - 1pc

D1



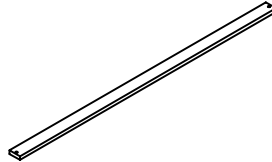
Side Rails (R) - 1pc

D2



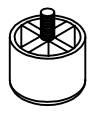
Side Rails (R) - 1pc

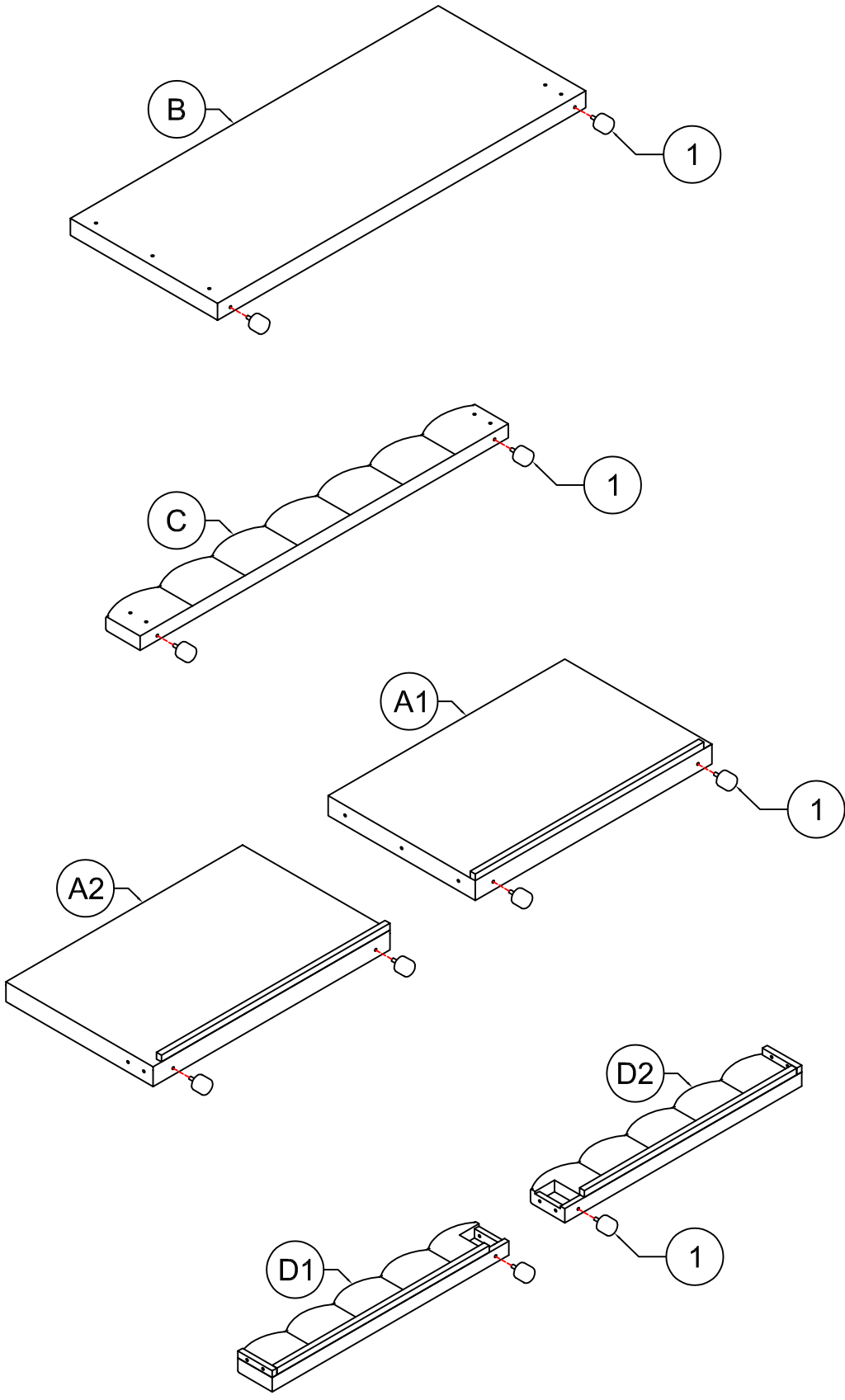
F



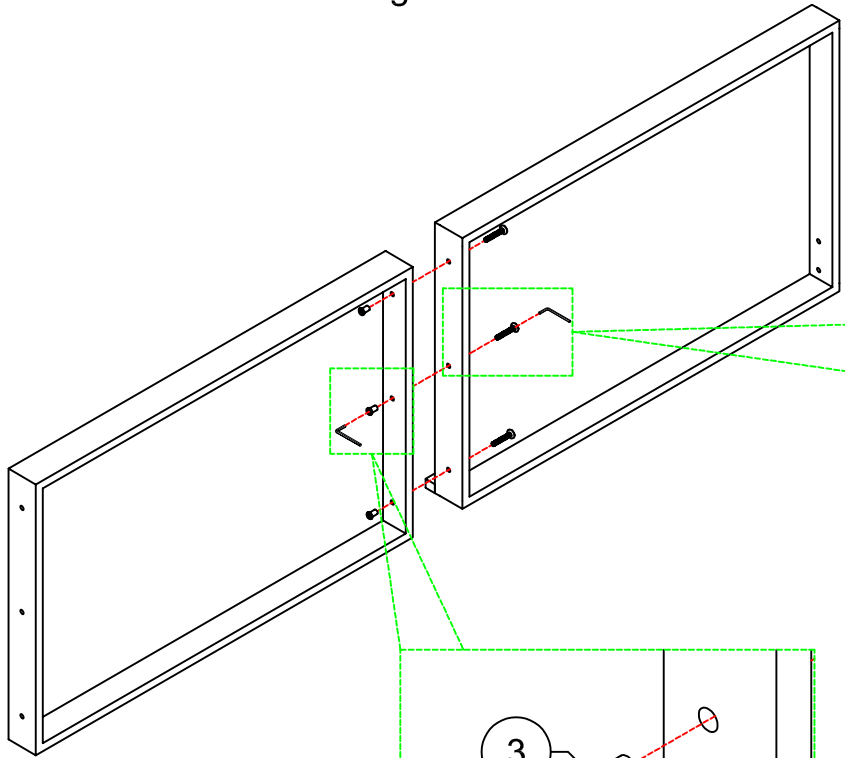
Slats - 10pcs

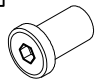
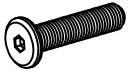
# STEP 1: Following below illustration:

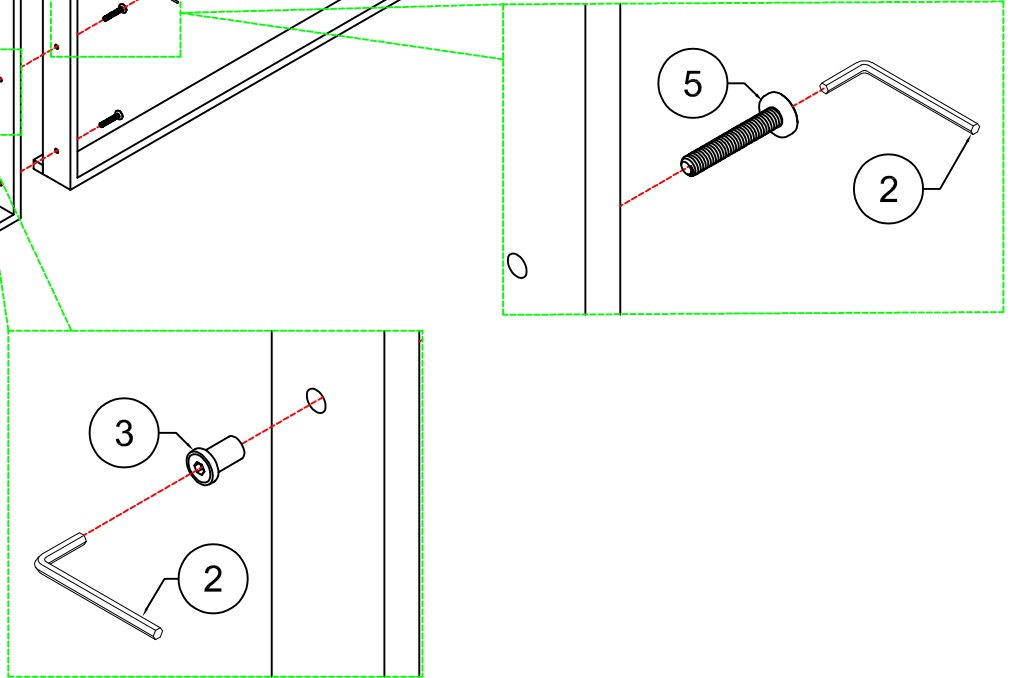
1	
10pcs	



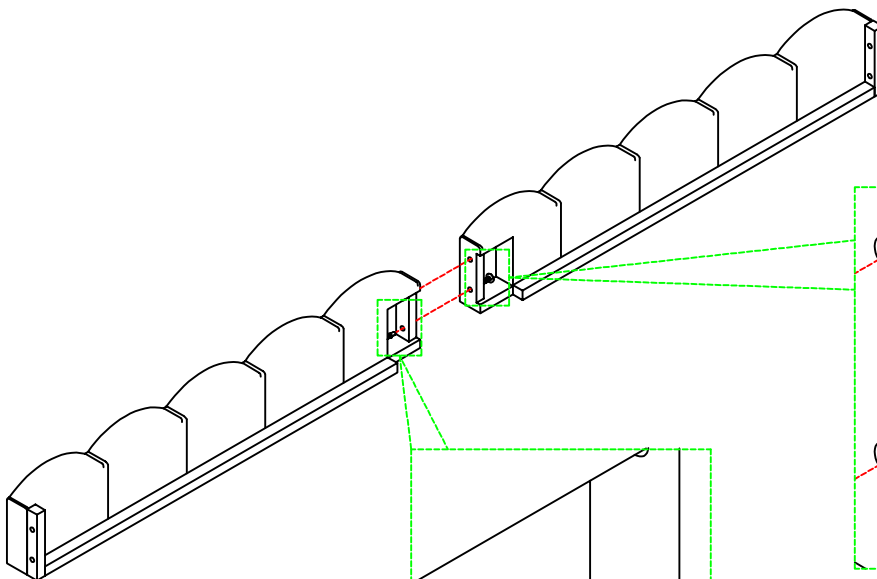
## STEP 2-1: Following below illustration:

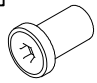



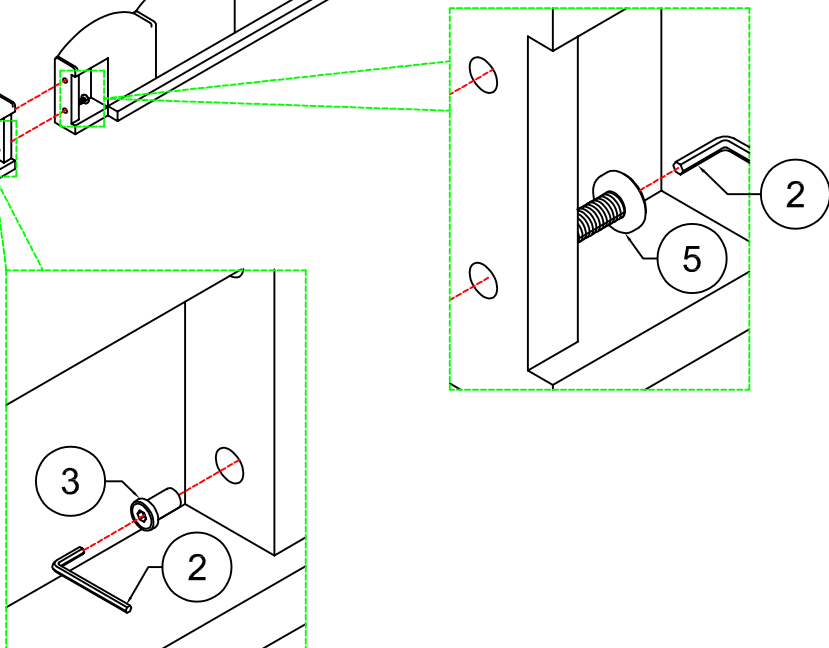
3	5
	
3pcs	3pcs






## STEP 2-2: Following below illustration:

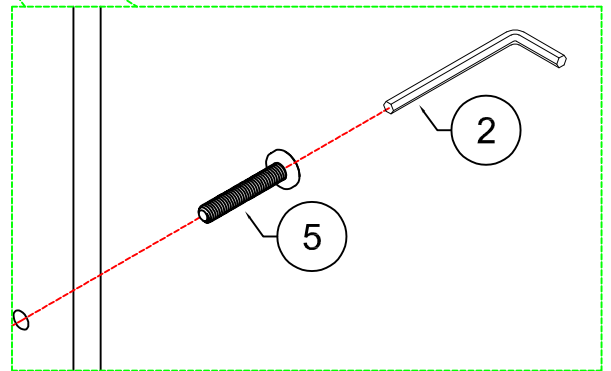
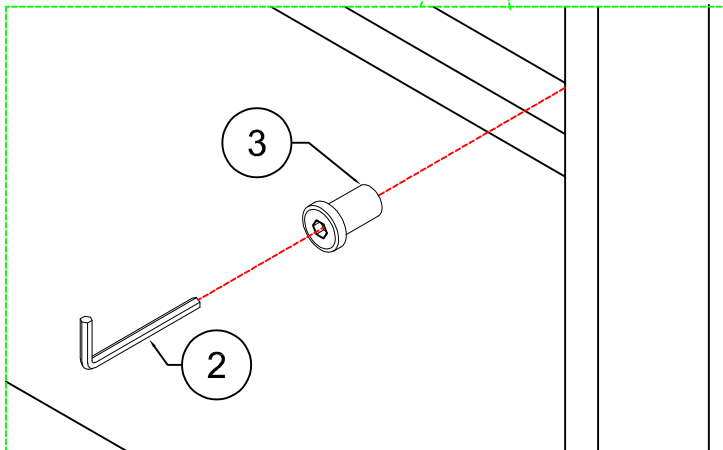
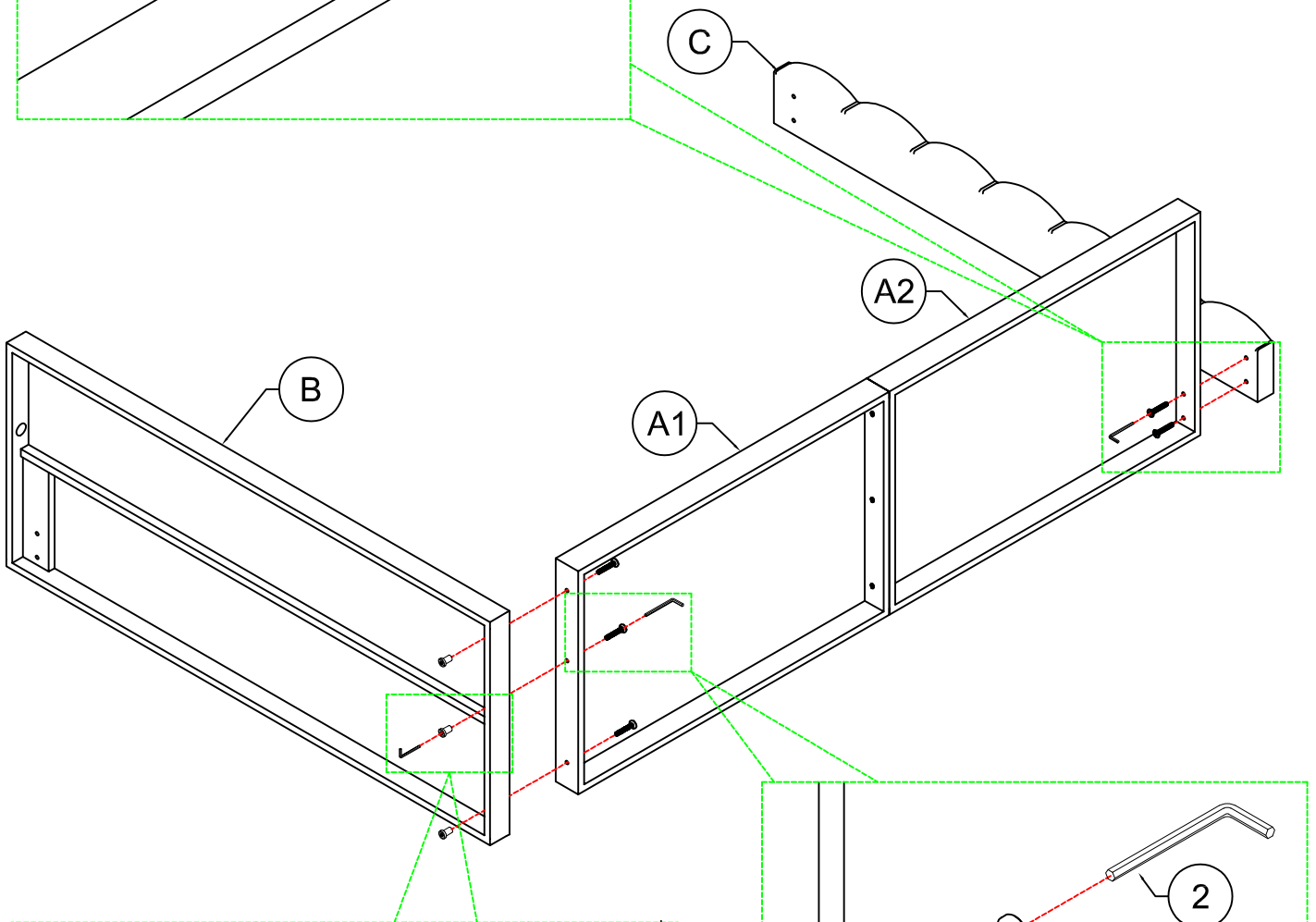
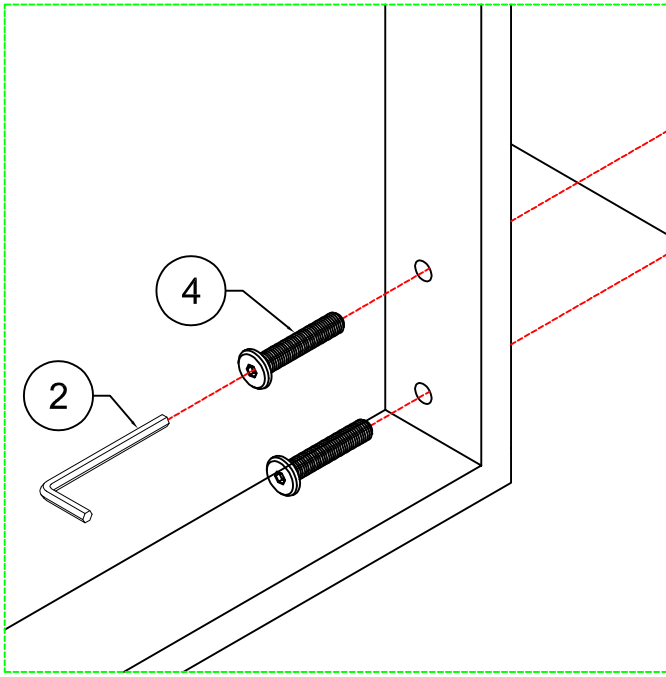


3	5
	
2pcs	2pcs



# STEP 3: Following below illustration:

3	4	5
		
3pcs	2pcs	3pcs

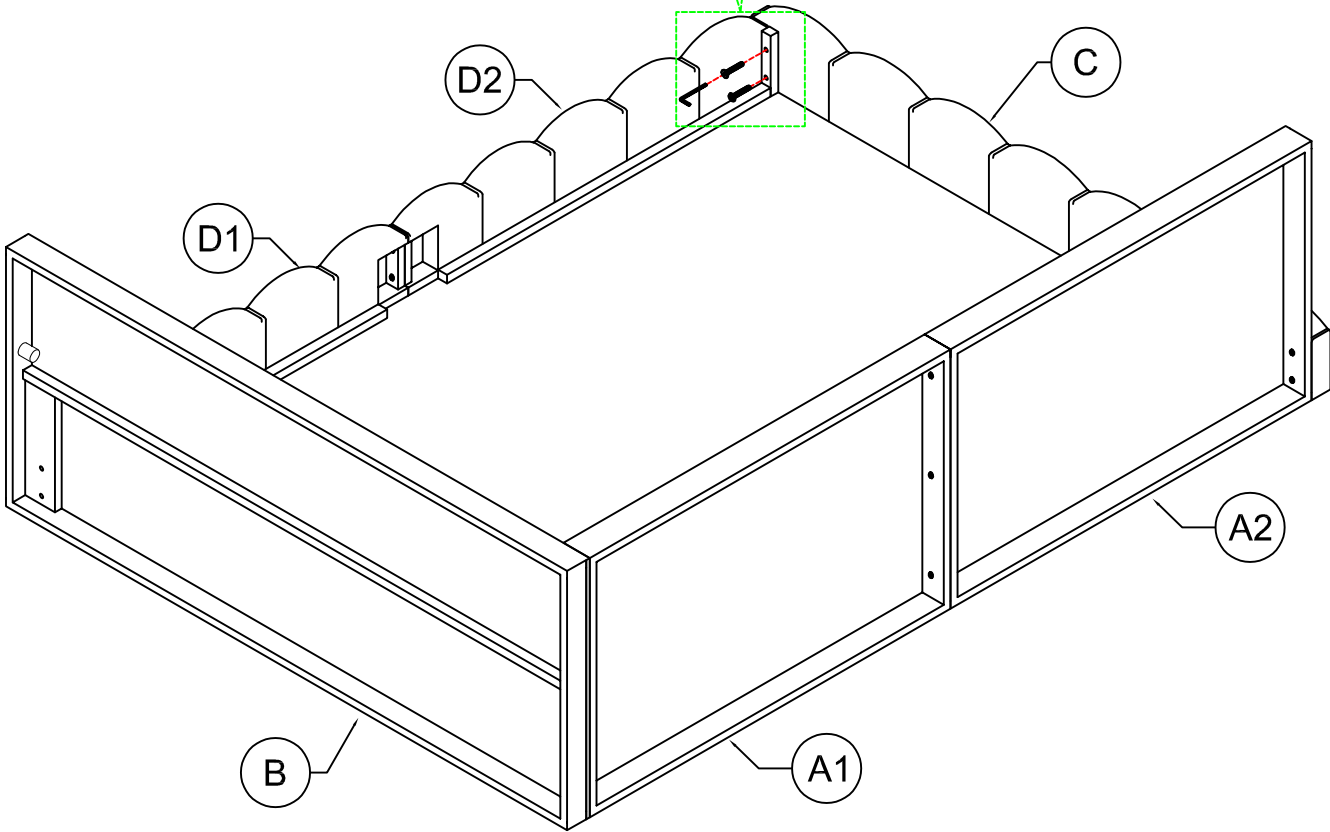
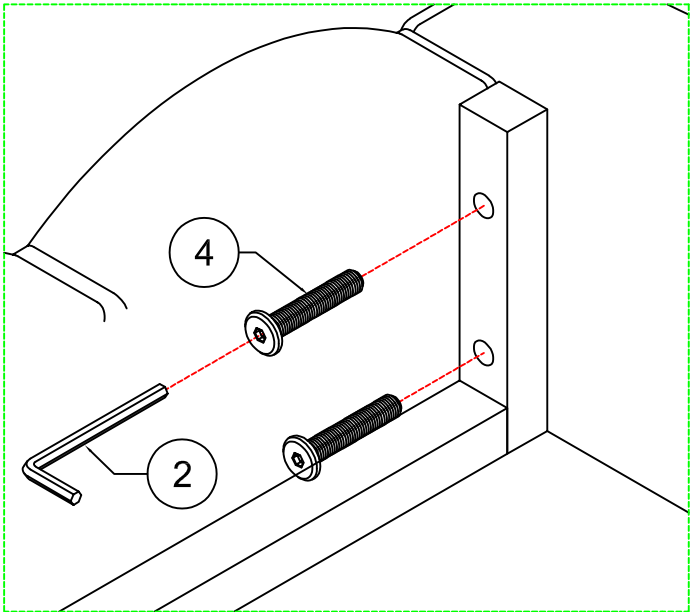


**STEP 4:** Following below illustration:

4




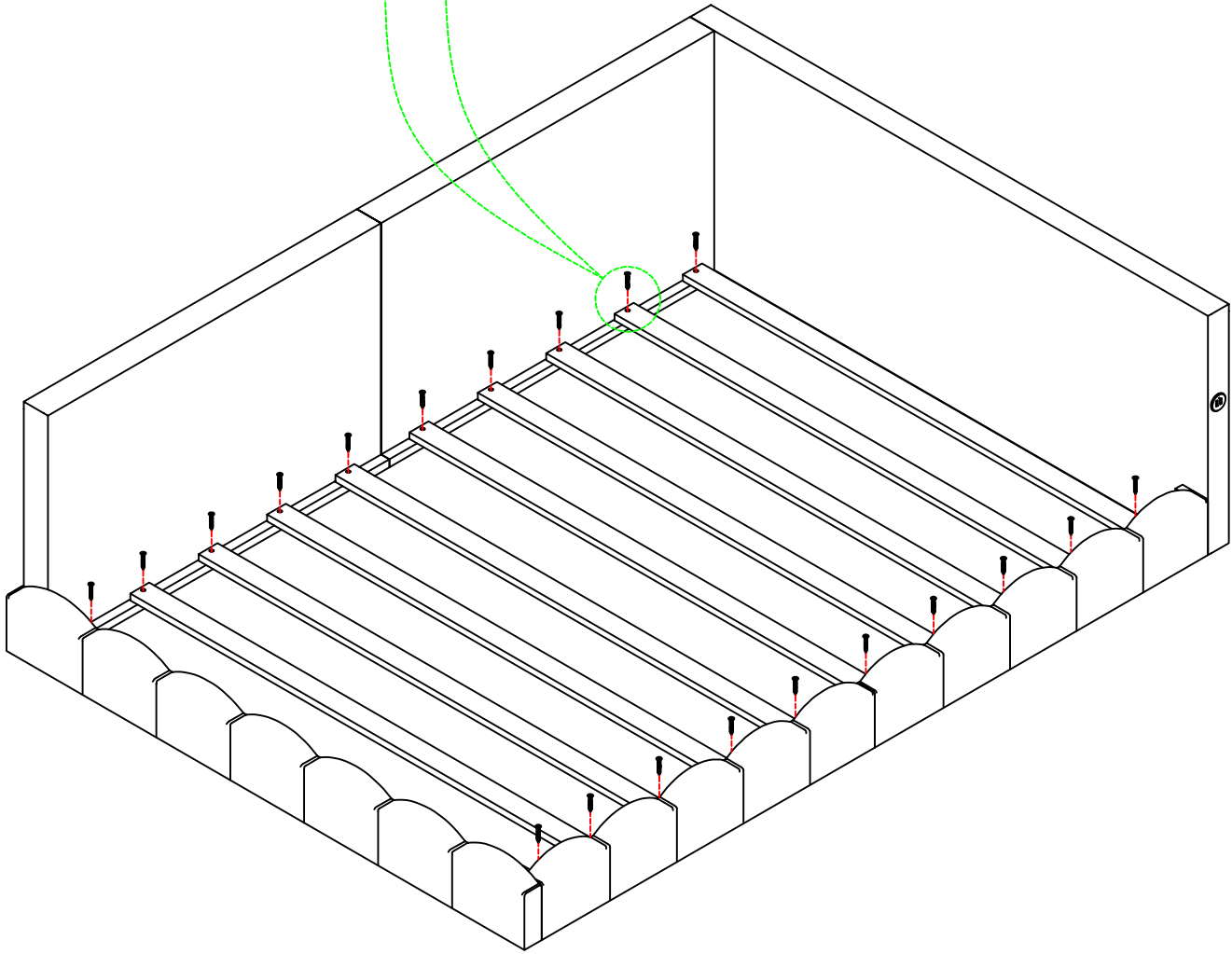
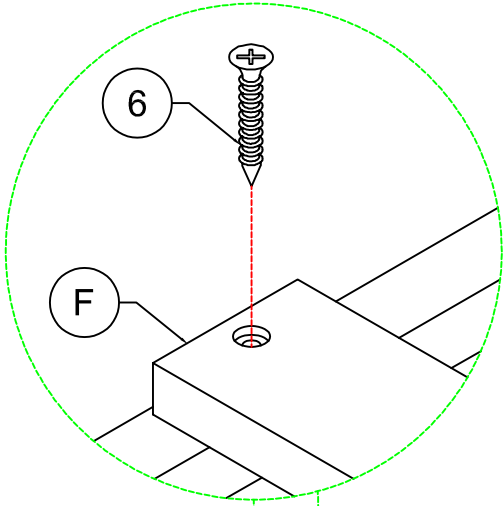
4pcs





**STEP 5:** Following below illustration:

6	
20pcs	



# FINISH

