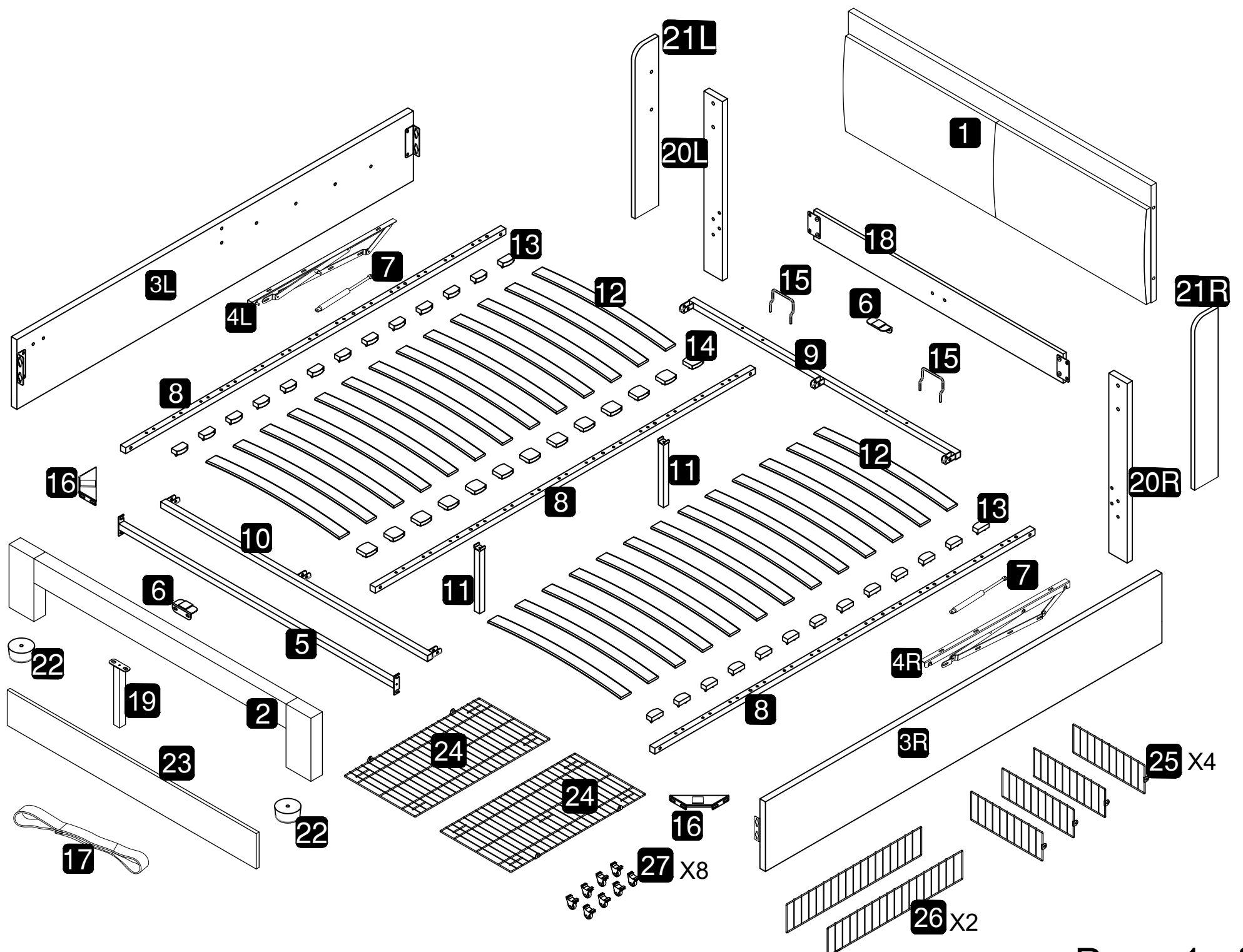
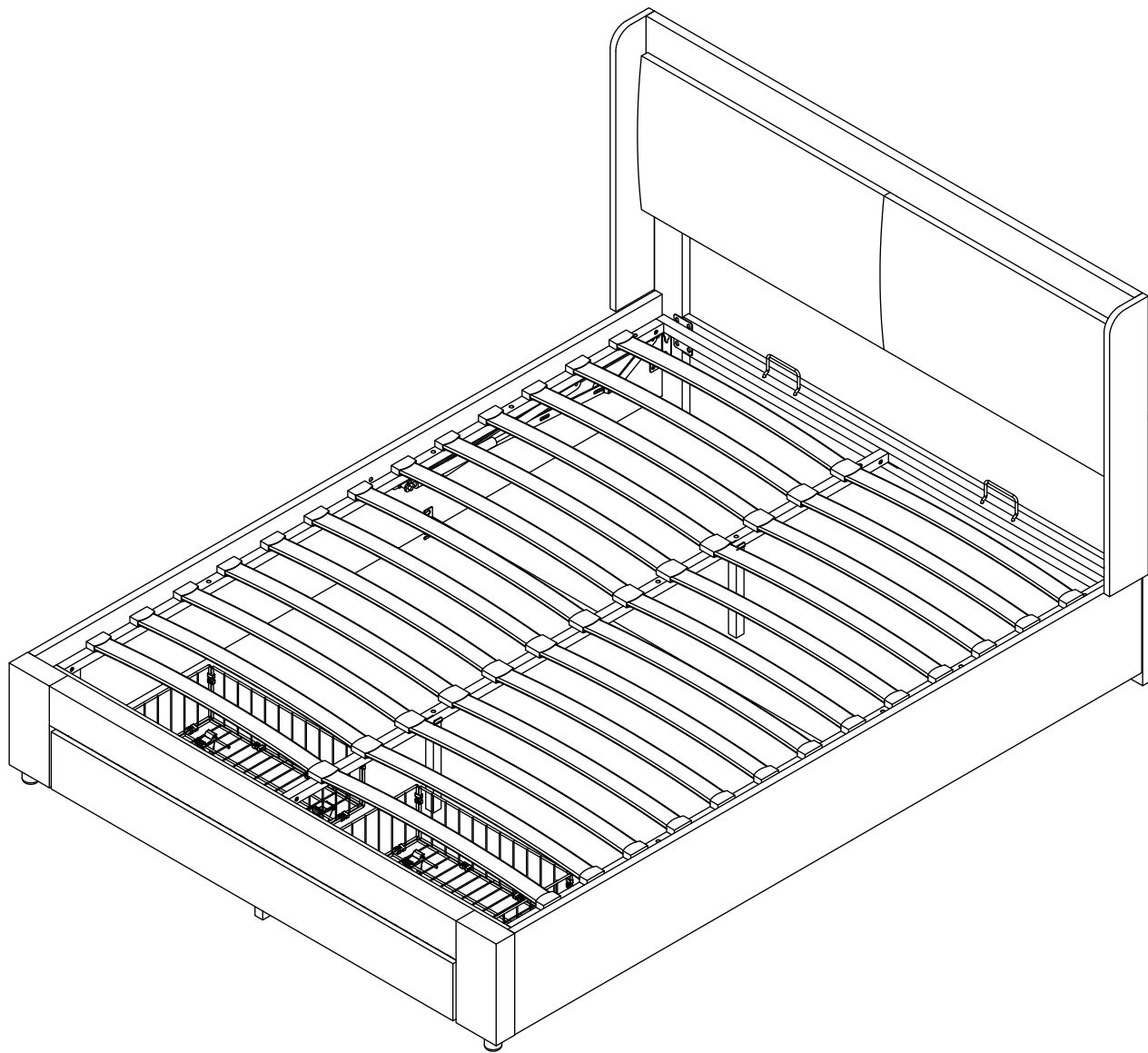


# ASSEMBLY INSTRUCTION

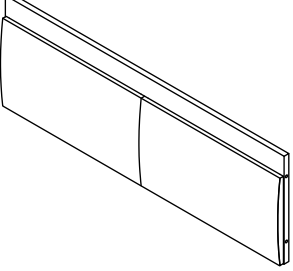
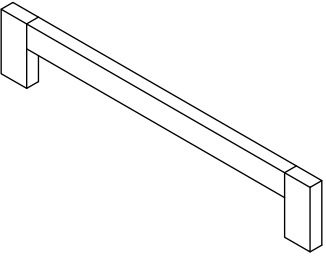
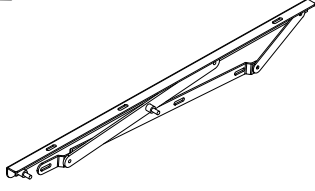
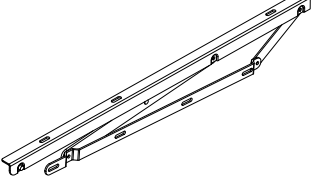
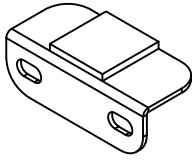
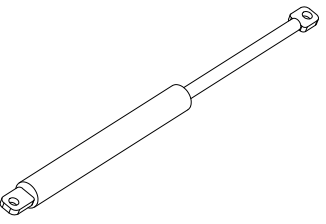
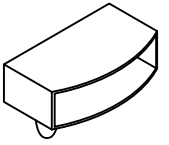
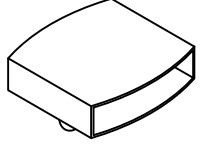
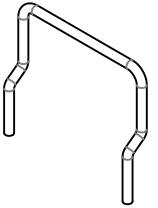
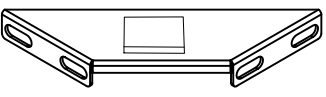
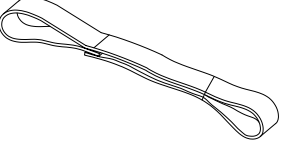
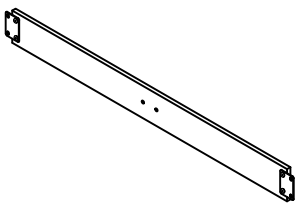
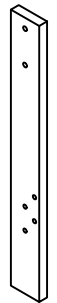
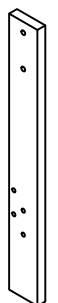

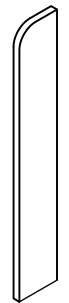
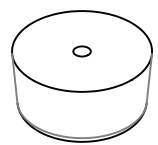
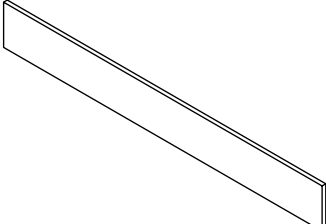
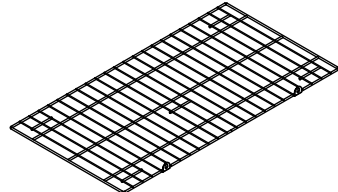
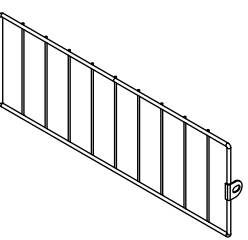
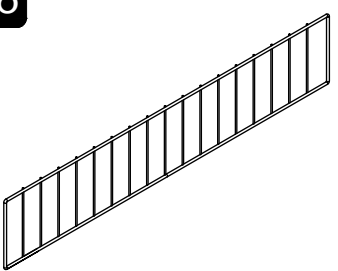
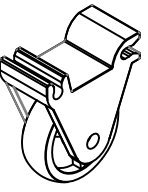
WF309021/WF309023

## TIPS

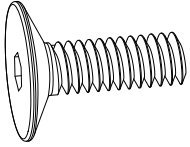
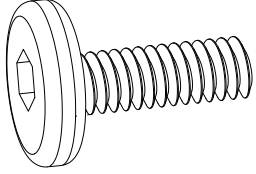
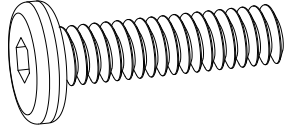
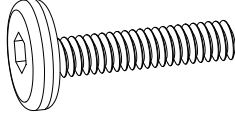
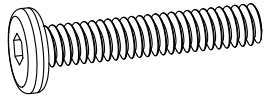
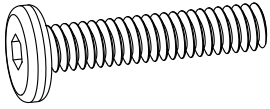
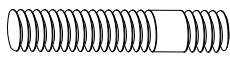
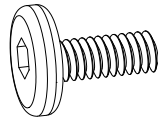

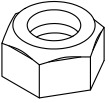
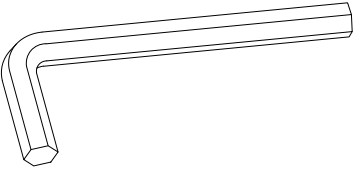
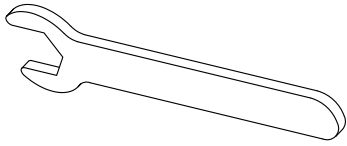
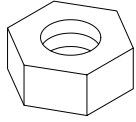
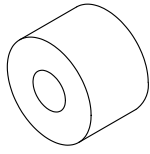
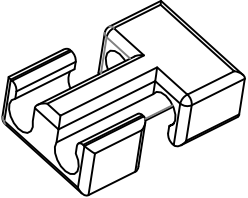
1. Please read the instructions fully before assembly. These instructions include important information which could ensure correct assembly. We have been working on providing high quality products for you. However, in the rare instance that your product is defective, missing parts or there are some issues, please don't hesitate to contact our customer service to submit parts requirements, assembly suggestion, or warranty claims, and we will give the best solution as soon as possible. If necessary, we need you to provide some more clear pictures of the issue.
2. Insert the screws in holes and tighten the screws, but not too tight, 70%~80% is ok, finally tighten all the screws. If some issues happened that some screws can not target to the hole or some parts are difficult to install, please adjust the tightness of the screws.
3. 2 people are recommended to finish



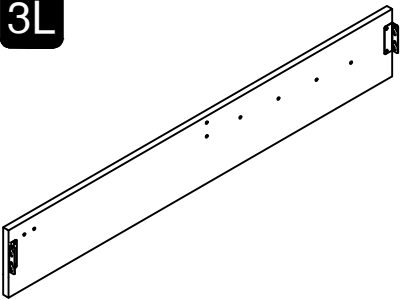
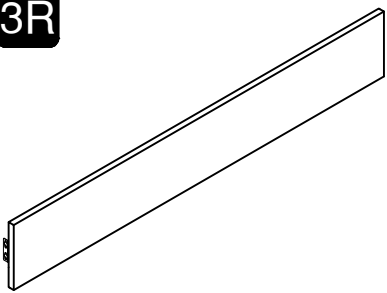
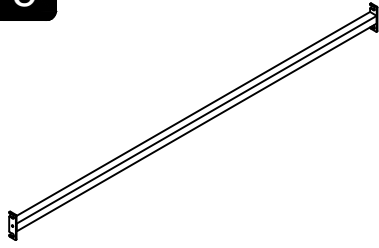
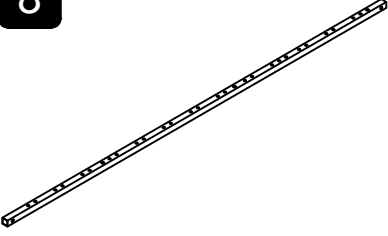
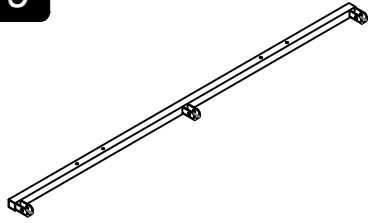
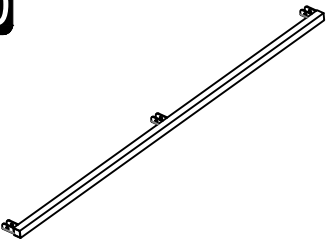

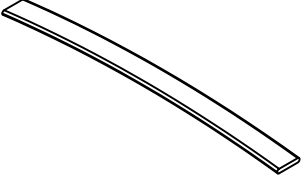
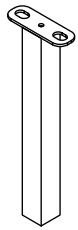
# Part List WF309021

<p><b>1</b></p>  <p>Headboard X1</p>	<p><b>2</b></p>  <p>Footboard X1</p>	<p><b>4L</b></p>  <p>Lift Mechanism (LH) X1</p>	<p><b>4R</b></p>  <p>Lift Mechanism (RH) X1</p>	<p><b>6</b></p>  <p>Angle Iron X2</p>
<p><b>7</b></p>  <p>Gas Strut X2</p>	<p><b>13</b></p>  <p>Plastic Slat Caps X26</p>	<p><b>14</b></p>  <p>Centre Slat Caps X13</p>	<p><b>15</b></p>  <p>Mattress Stopper X2</p>	<p><b>16</b></p>  <p>Metal Corner Bracket X2</p>
<p><b>17</b></p>  <p>Rope X1</p>	<p><b>18</b></p>  <p>Head board leg Connecting plate X1</p>	<p><b>20L</b></p>  <p>Head board leg (LH) X1</p>	<p><b>20R</b></p>  <p>Head board leg (RH) X1</p>	<p><b>21L</b></p>  <p>Head board leg - (LH) X 1</p>
<p><b>21R</b></p>  <p>Head board leg - (RH) X 1</p>	<p><b>22</b></p>  <p>Rear foot X 2</p>	<p><b>23</b></p>  <p>Drawer panel X 1</p>	<p><b>24</b></p>  <p>Drawer bottom X 2</p>	<p><b>25</b></p>  <p>Drawer side X 4</p>
<p><b>26</b></p>  <p>Drawer back X 2</p>	<p><b>27</b></p>  <p>Drawer pulley X8</p>			

# Hardware List WF309021

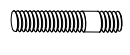
<p><b>A</b></p>  <p>Bolts(M8x25mm) X4</p>	<p><b>B</b></p>  <p>Bolts(M8x20mm) X26</p>	<p><b>C</b></p>  <p>Bolts(M8x30mm) X8</p>	<p><b>D</b></p>  <p>Bolts(M8x40mm) X12</p>	<p><b>E</b></p>  <p>Bolts(M8x50mm) X4</p>
<p><b>F</b></p>  <p>Bolts(M6x40mm) X4</p>	<p><b>G</b></p>  <p>Bolts(M8x55mm) X4</p>	<p><b>H</b></p>  <p>Bolts(M8x16mm) X8</p>	<p><b>J</b></p>  <p>Flat Washer X16</p>	<p><b>K</b></p>  <p>Non-slip nuts(M8) X16</p>
<p><b>L</b></p>  <p>Allen Key X1</p>	<p><b>M</b></p>  <p>Spanner X1</p>	<p><b>N</b></p>  <p>Nut (M8) X4</p>	<p><b>O</b></p>  <p>Plastic washer X8</p>	<p><b>P</b></p>  <p>Bayonet X16</p>


# Part List WF309023

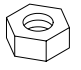
<p><b>3L</b></p>  <p>Side Rails(LH) X1</p>	<p><b>3R</b></p>  <p>Side Rails(RH) X1</p>	<p><b>5</b></p>  <p>Reinforced Pipe X1</p>	<p><b>8</b></p>  <p>Side Rails for Metal Slat Frame X3</p>	<p><b>9</b></p>  <p>Cross Rail for Metal Slat Frame - Headend X1</p>
<p><b>10</b></p>  <p>Cross Rail for Metal Slat Frame - Footend X1</p>	<p><b>11</b></p>  <p>Centre Support Leg X2</p>	<p><b>12</b></p>  <p>Slats X26</p>	<p><b>19</b></p>  <p>Support Leg X1</p>	

Attention: Do not tighten the screws before completing the entire installation. If you have any difficulty with the installation process, please feel free to contact us.


## Step 1:

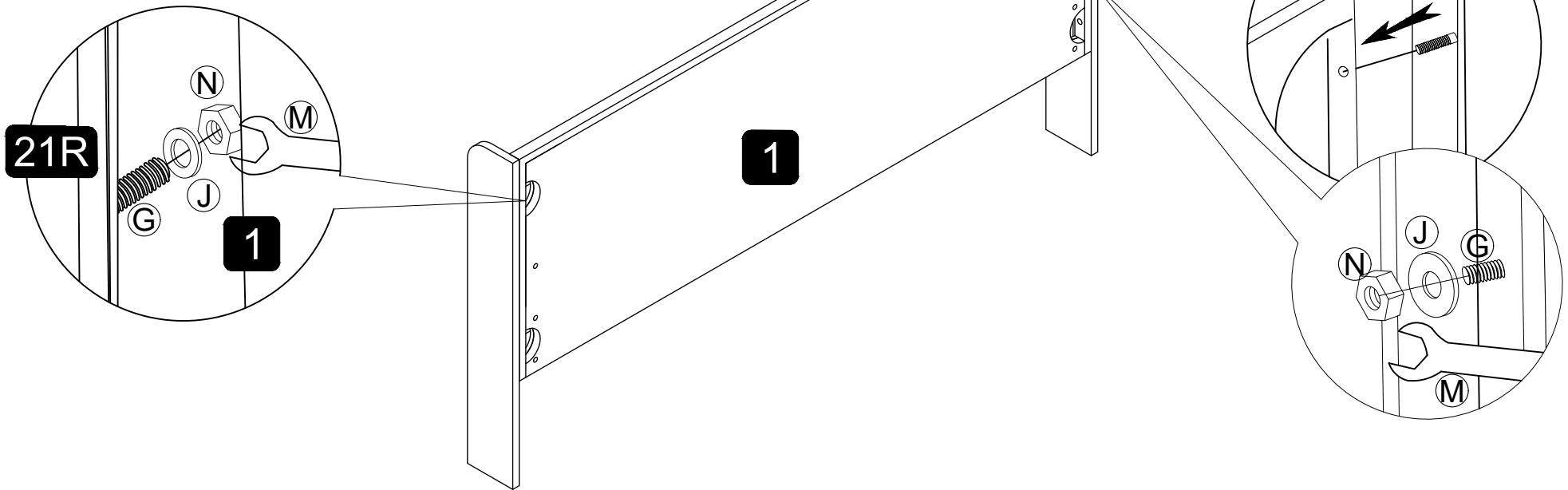
**G**  x4

**J**  x4

**N**  x4


**L**  x1

**M**  x1

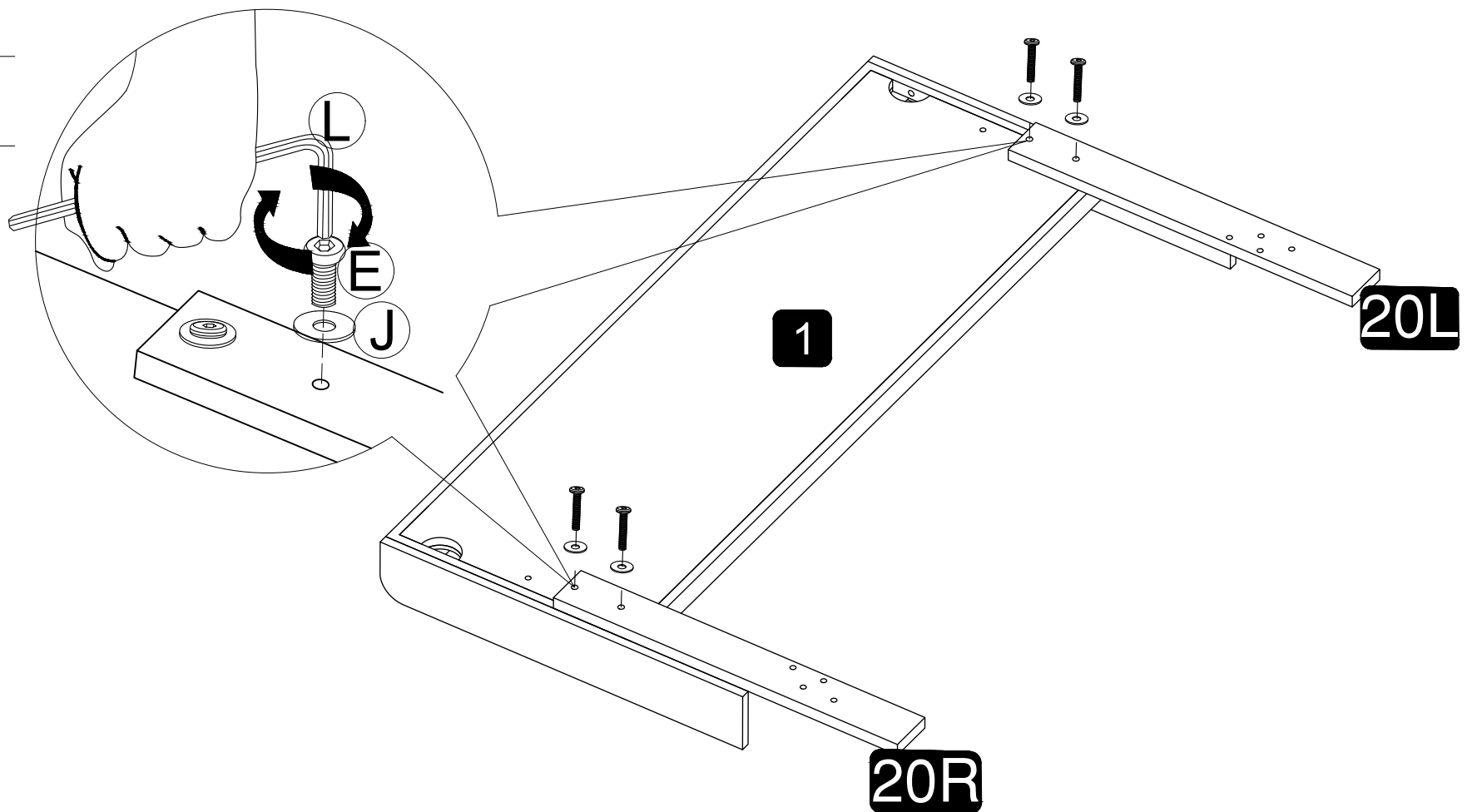


## Step 2:

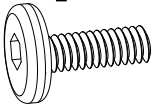
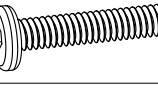

**E**  x4

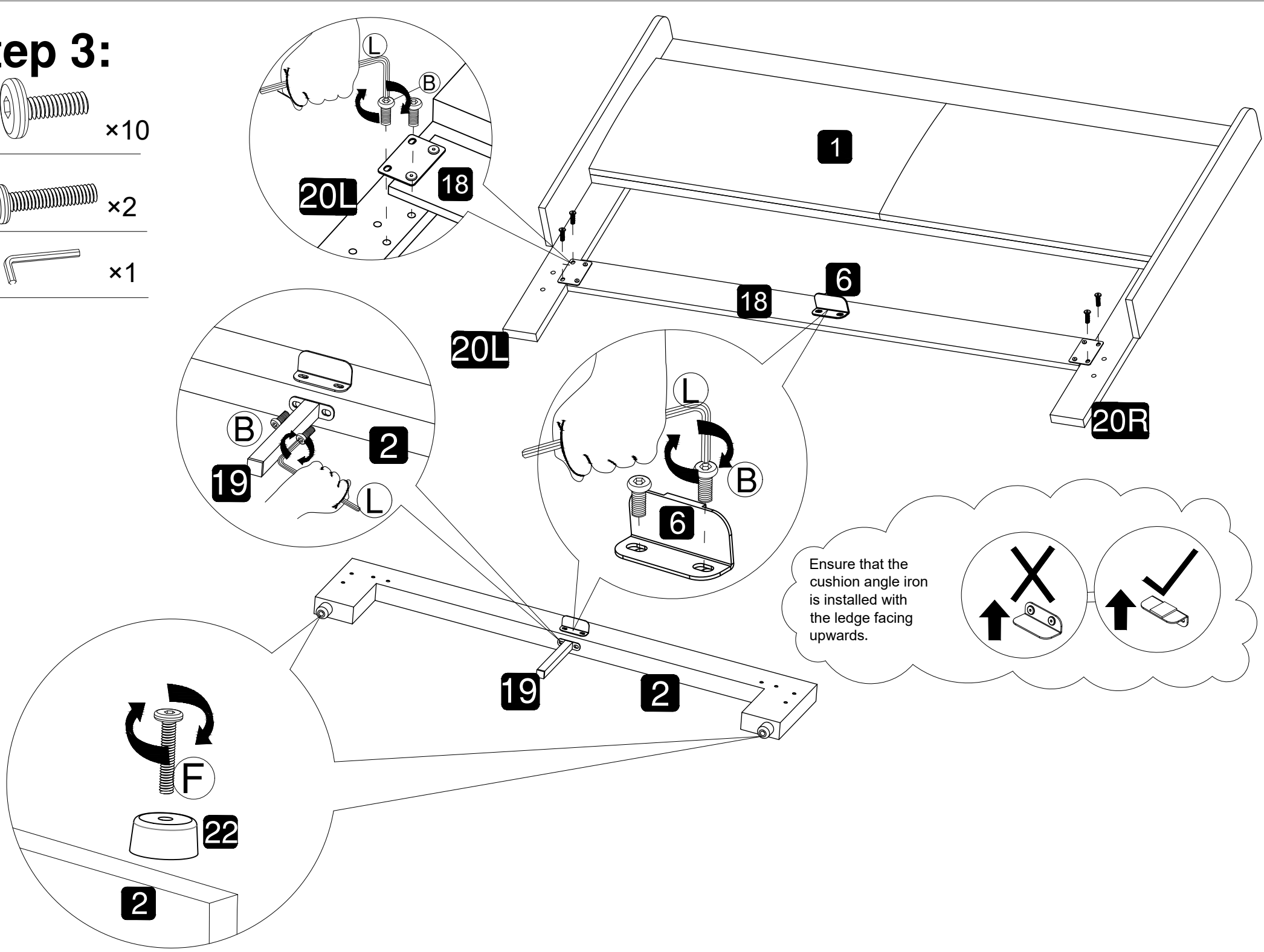
**J**  x4

**L**  x1

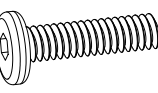
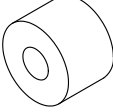



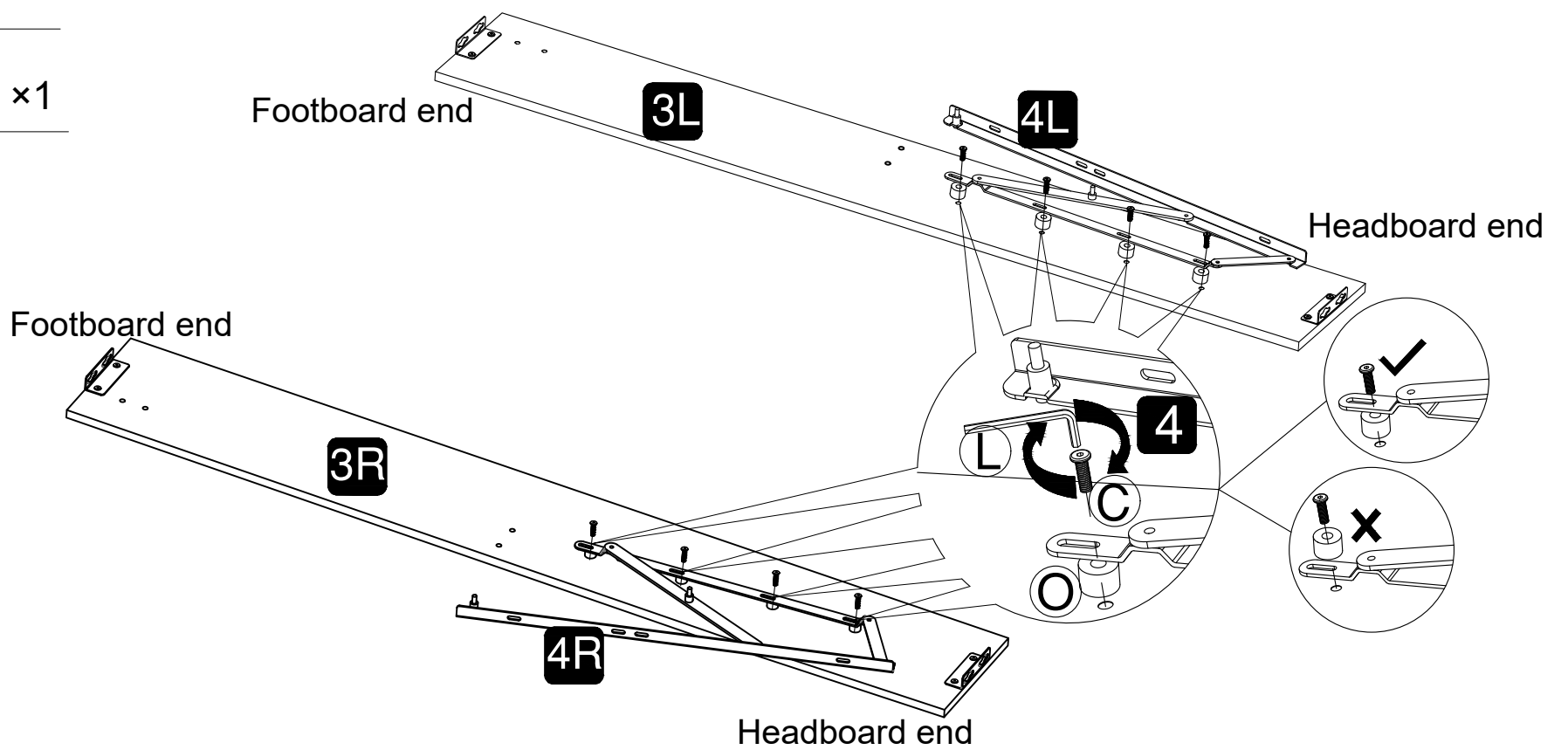
### Step 3:

- B**  x10
- F**  x2
- L**  x1

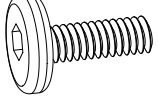



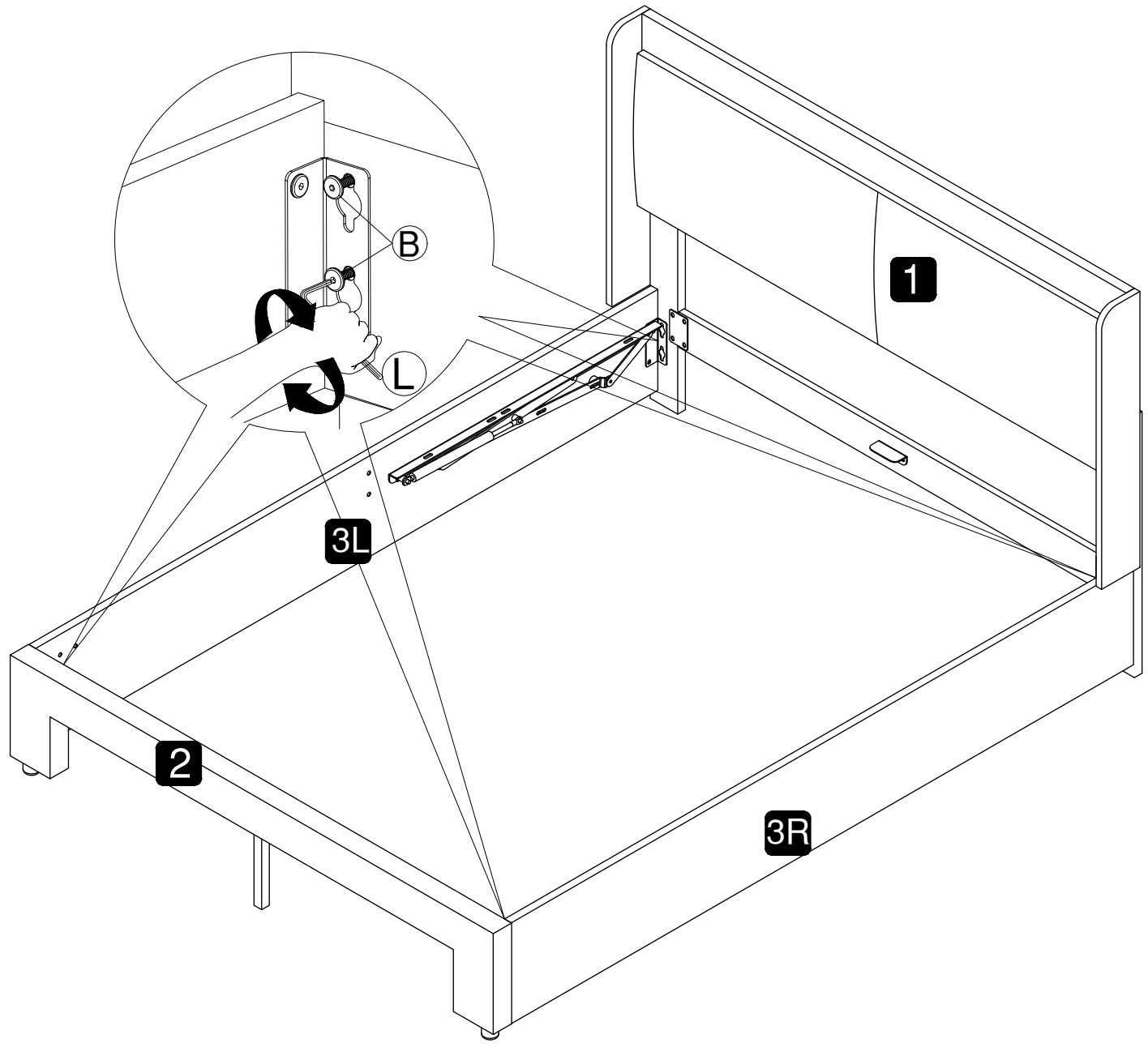
### Step 4:

- C**  x8
- O**  x8
- L**  x1

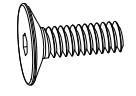
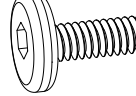



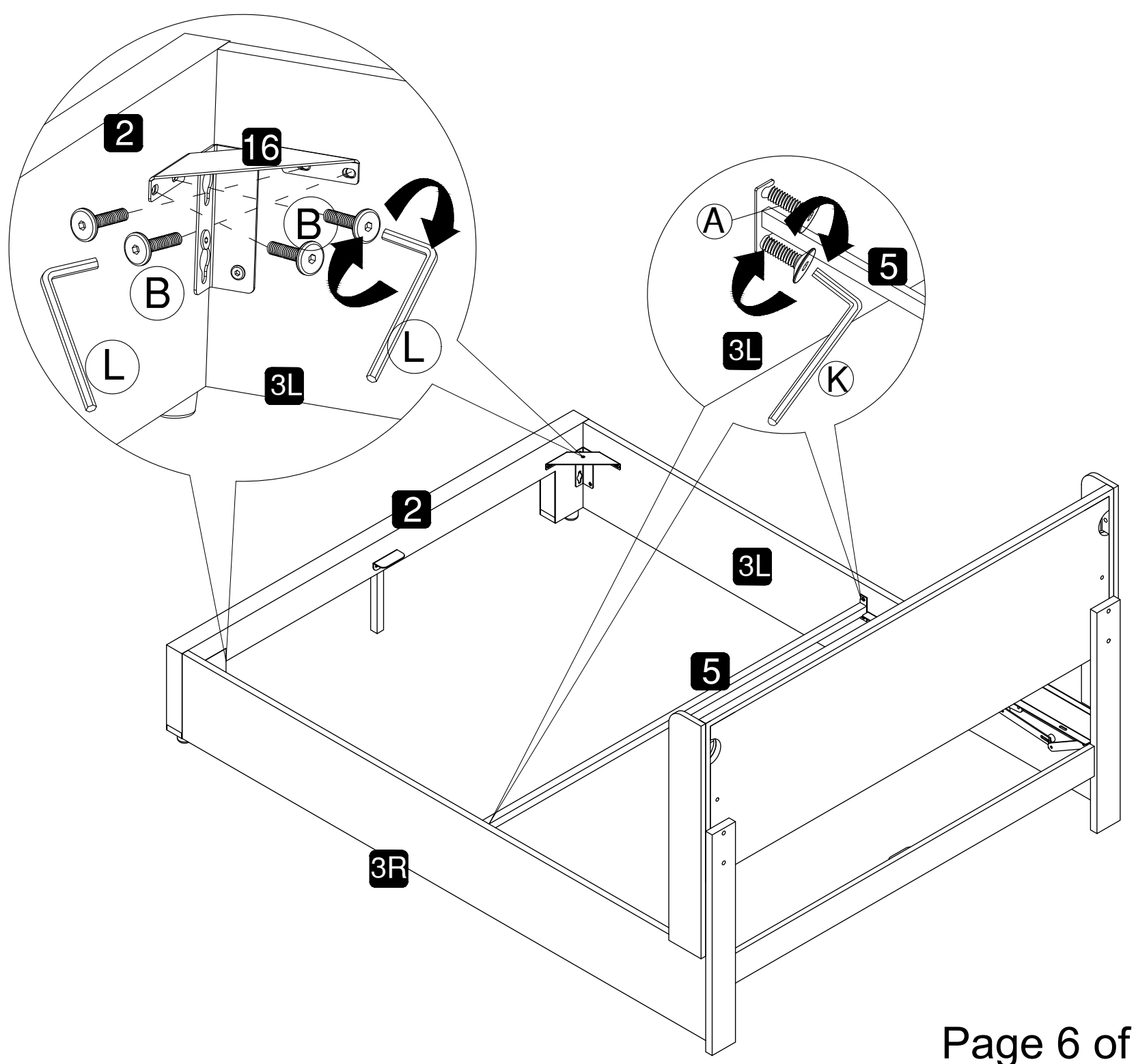
# Step 5:

- B**  x8
- L**  x1


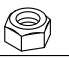
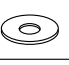




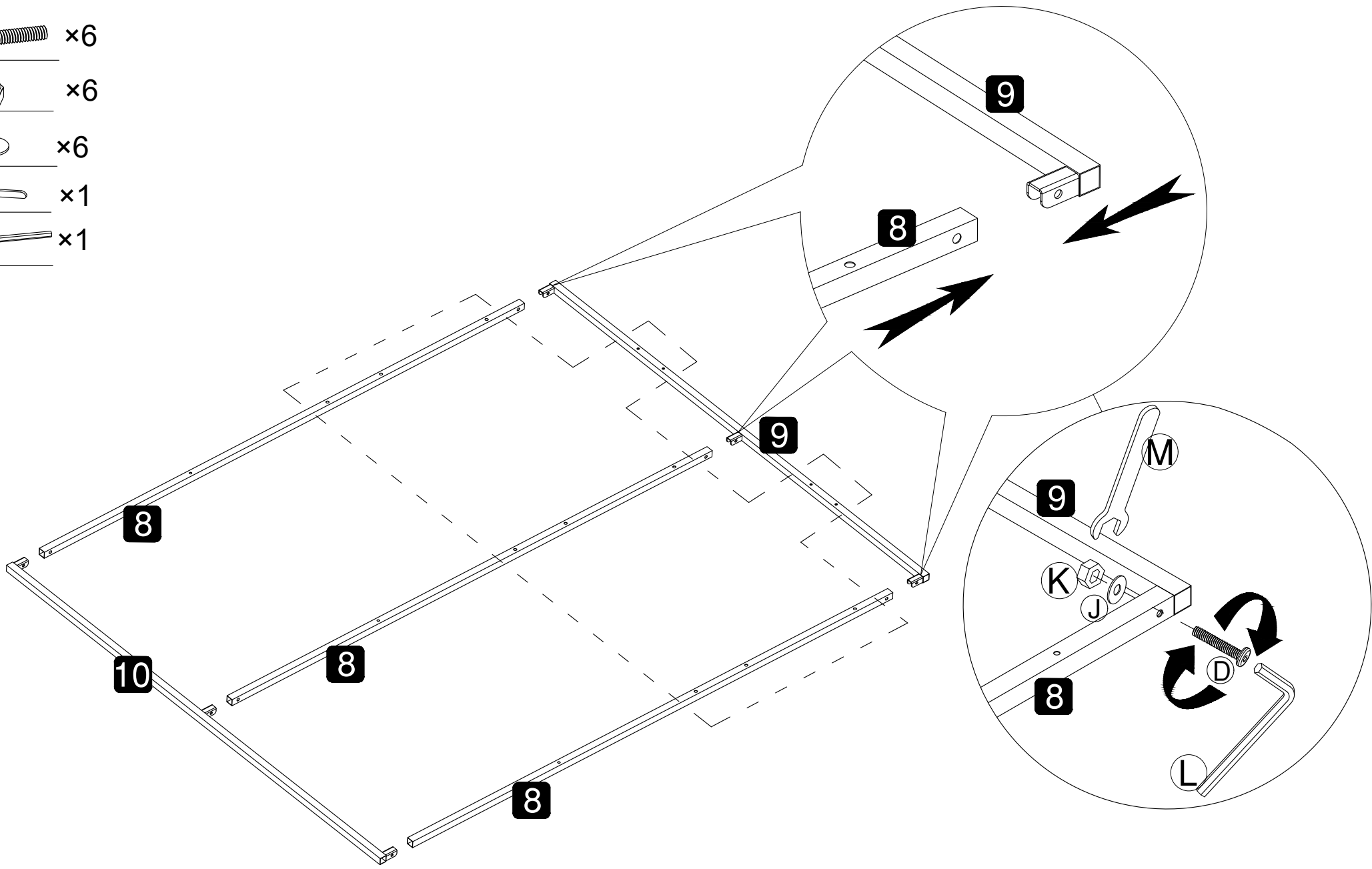
# Step 6:

- A**  x4
- B**  x8
- L**  x1




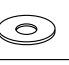




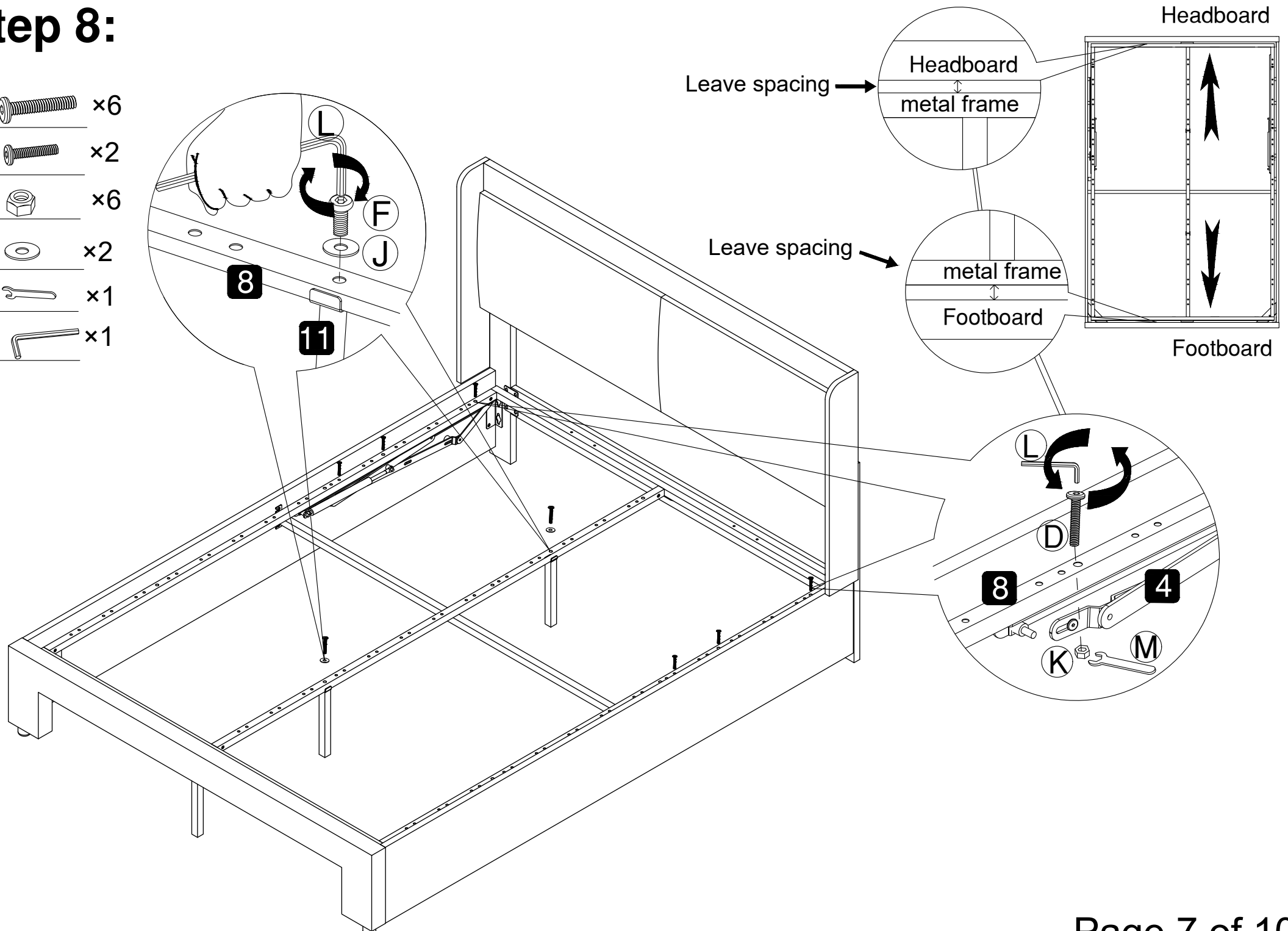
# Step 7:

- D**  x6
- K**  x6
- J**  x6
- M**  x1
- L**  x1



# Step 8:

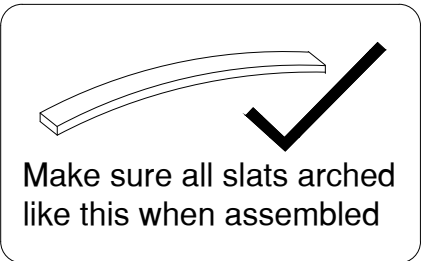
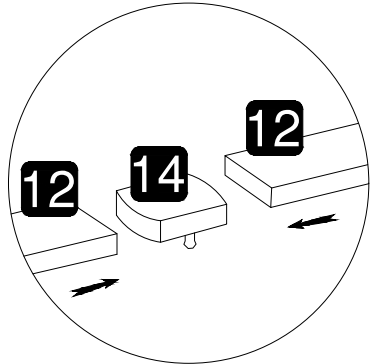
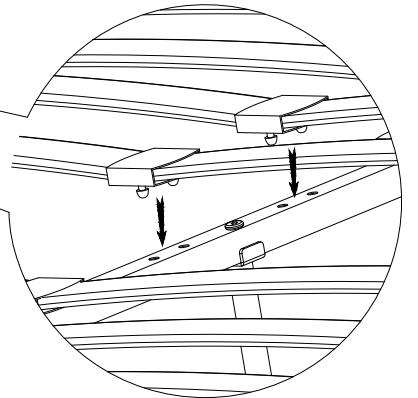
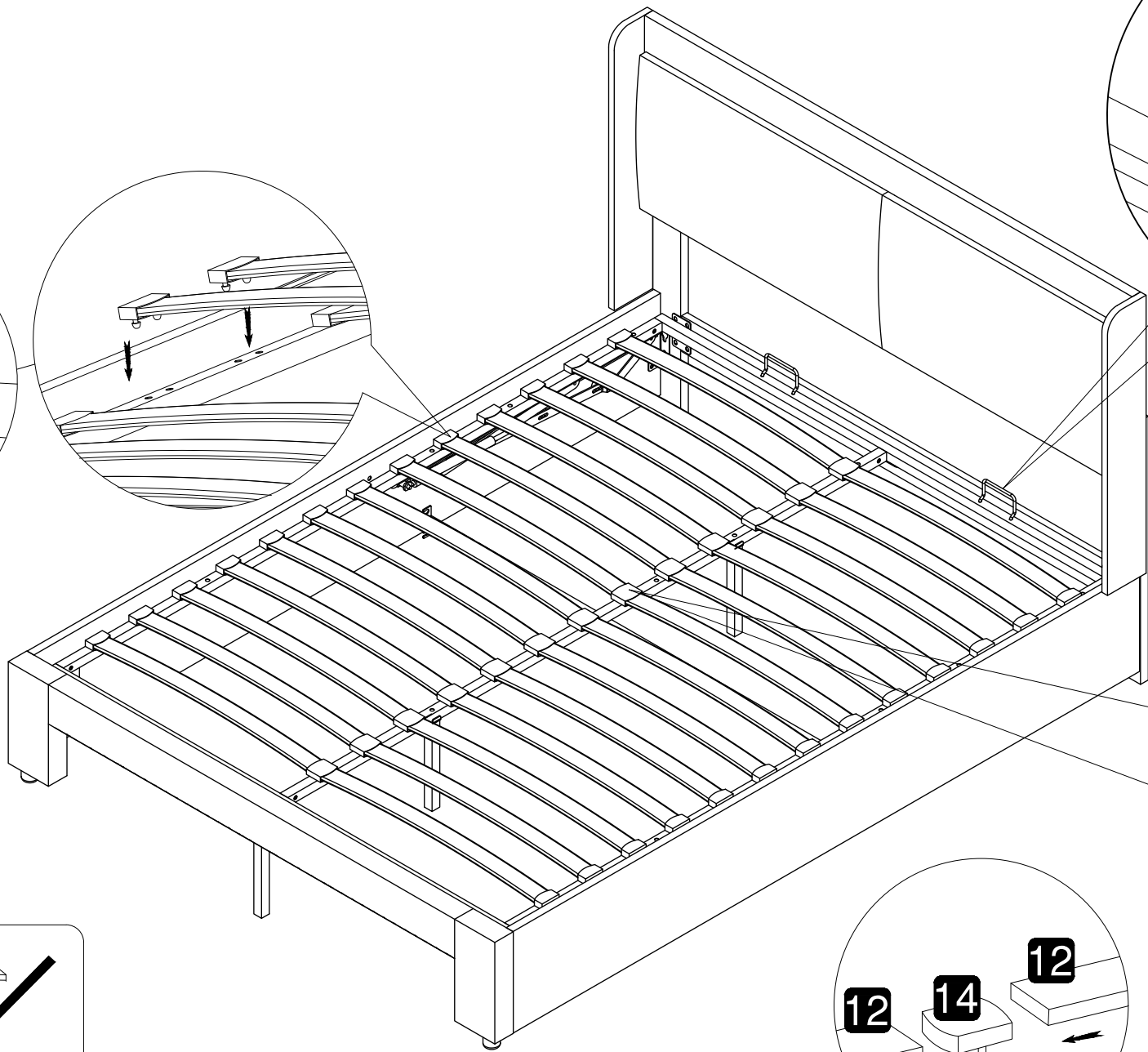
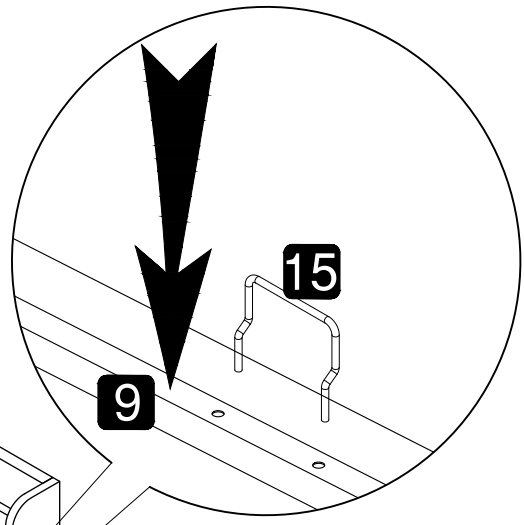
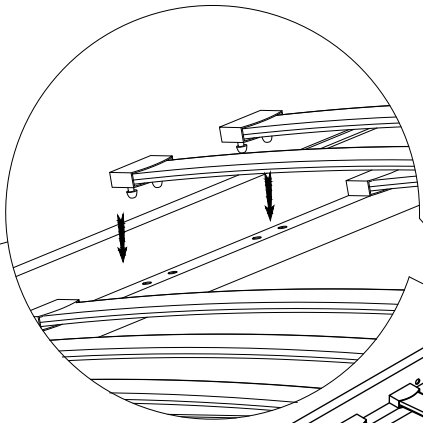
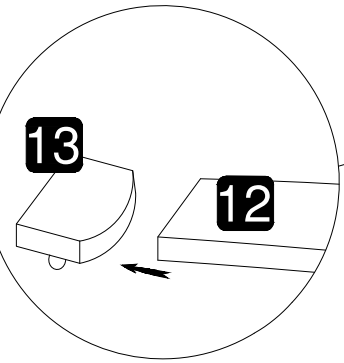
- D**  x6
- F**  x2
- K**  x6
- J**  x2
- M**  x1
- L**  x1



# Step 9:

13  x26

14  x13

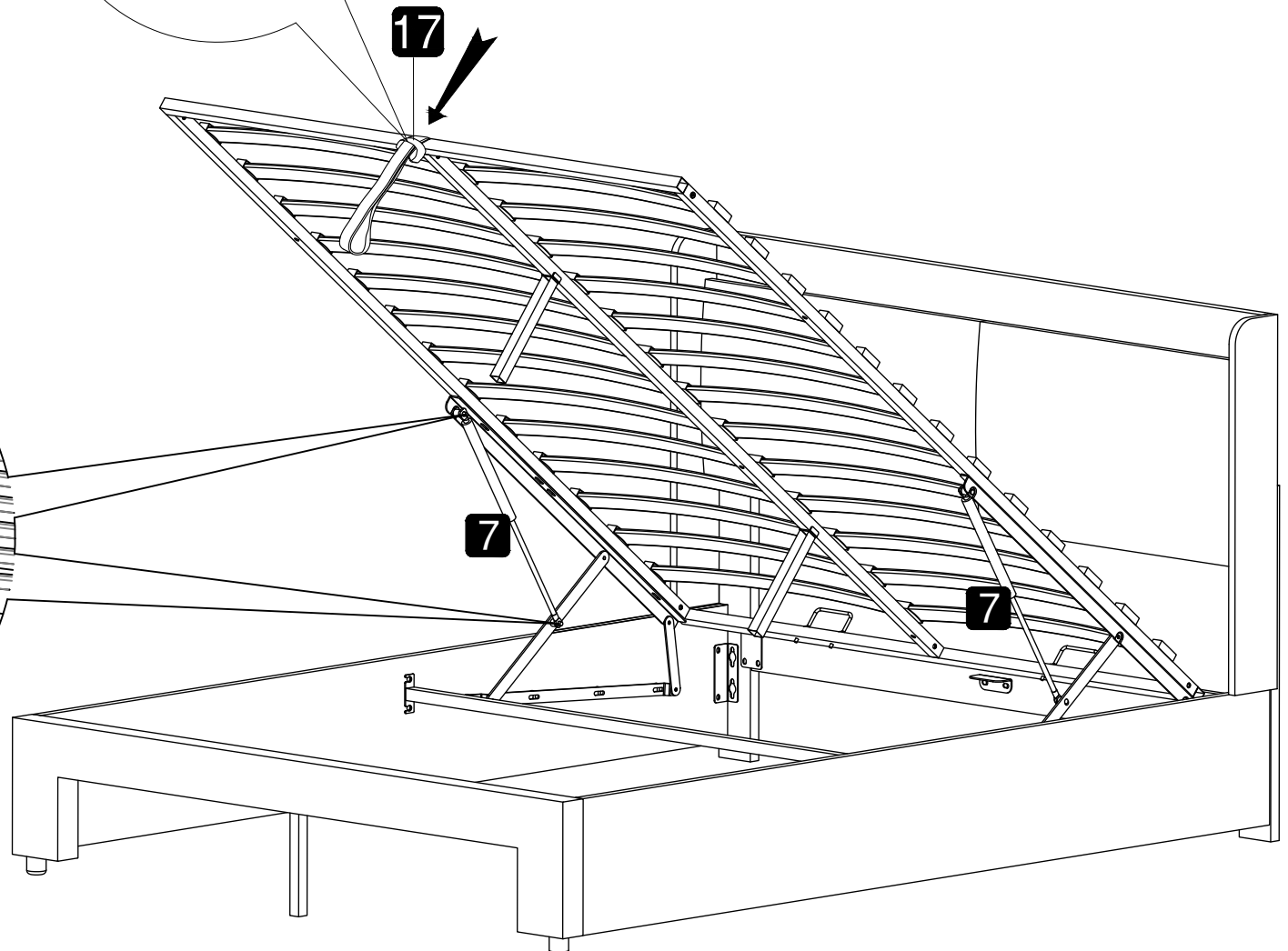
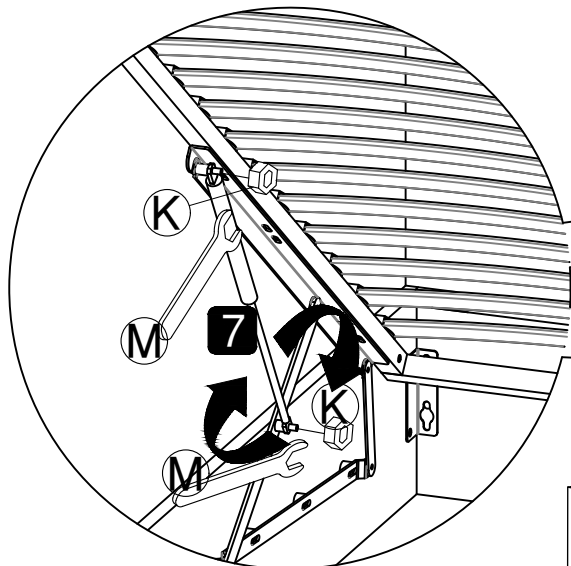
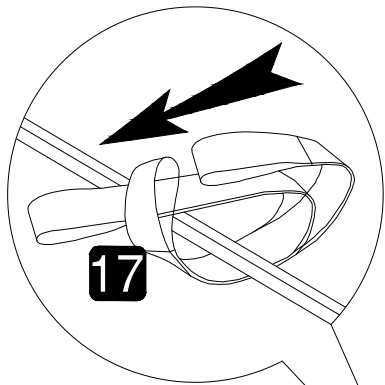


# Step 10:

K  x4

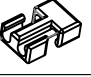
M  x1

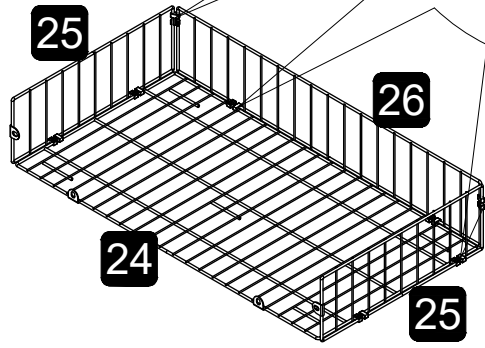
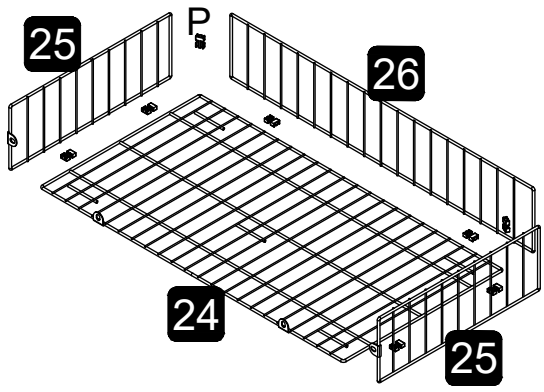
17  x1





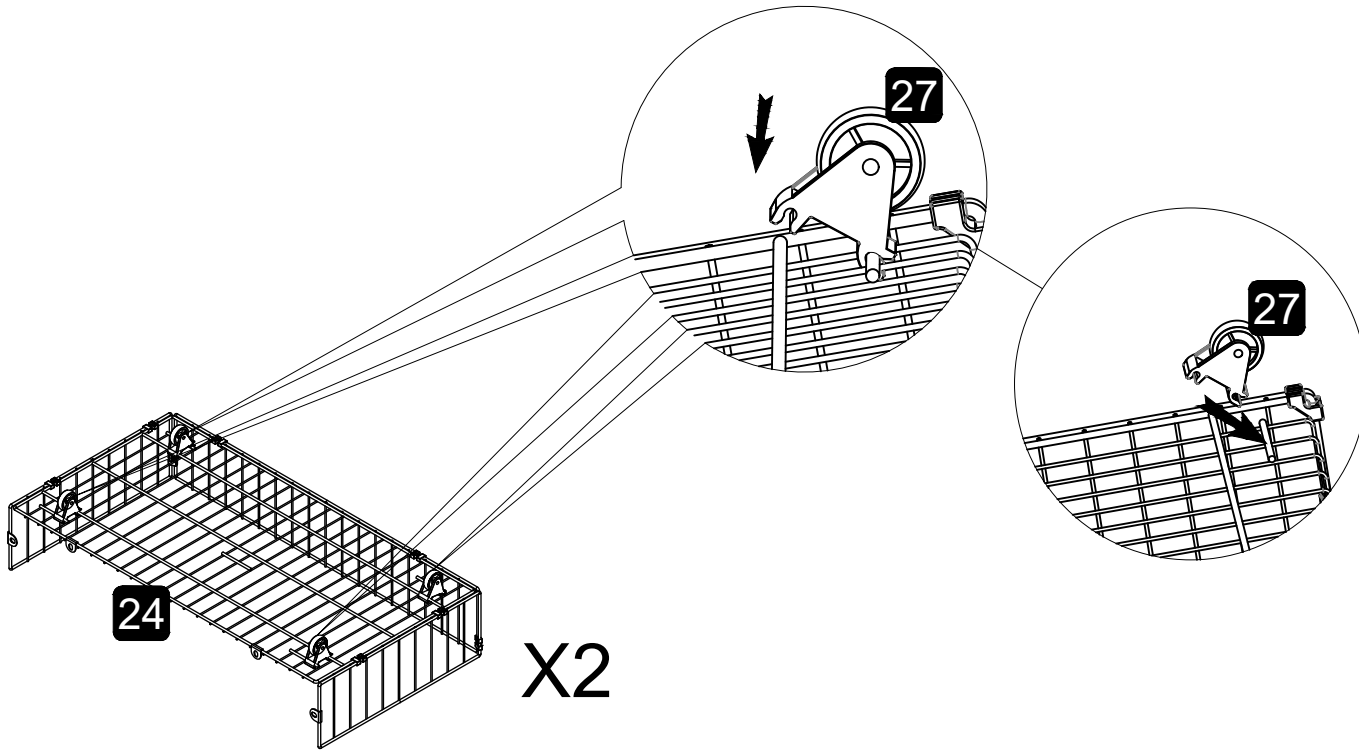
# Step 11

**P**  x16



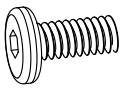
X2

# Step 12

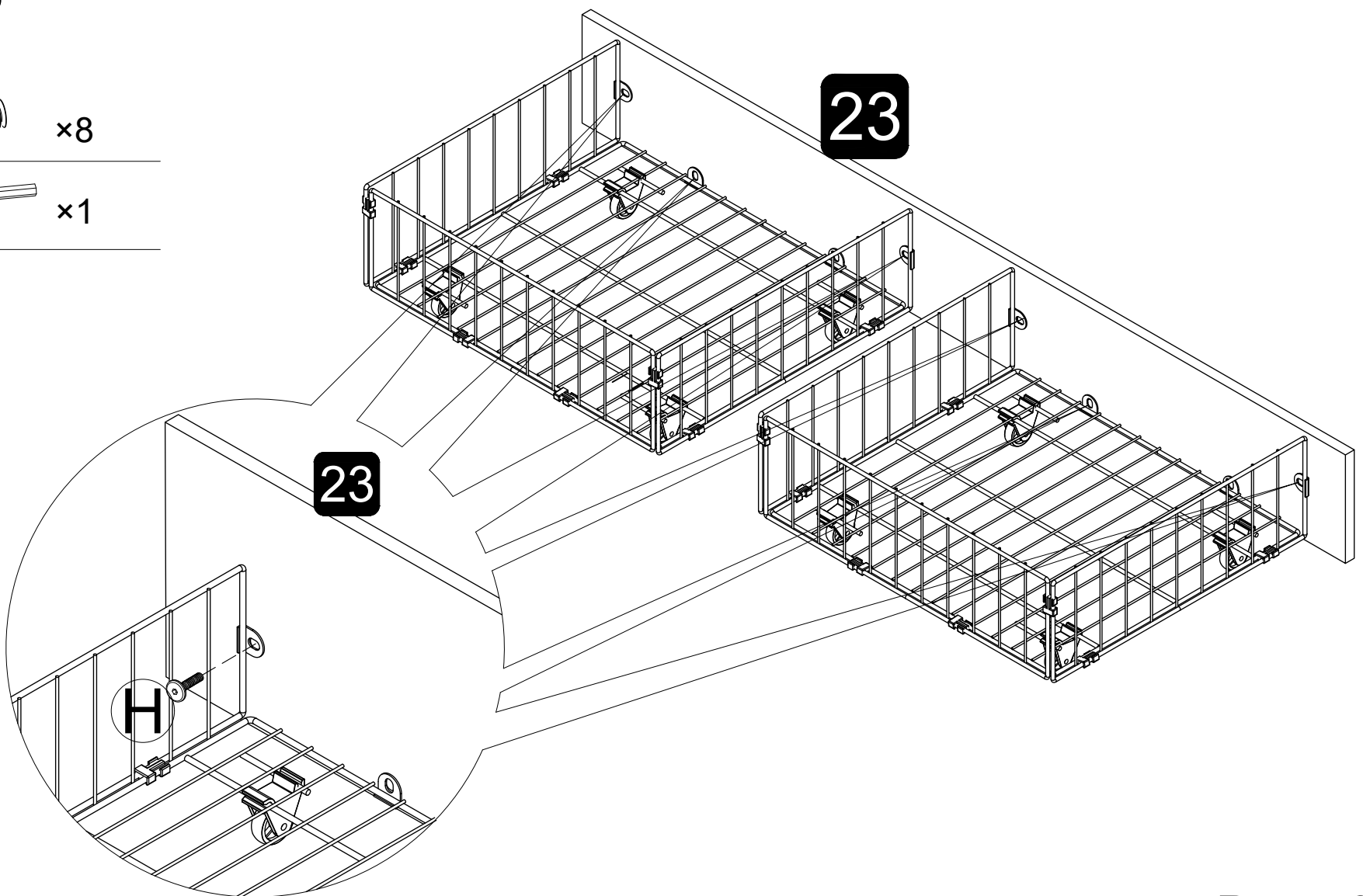


X2

# Step 13

**H**  x8

**L**  x1



# Step 14

