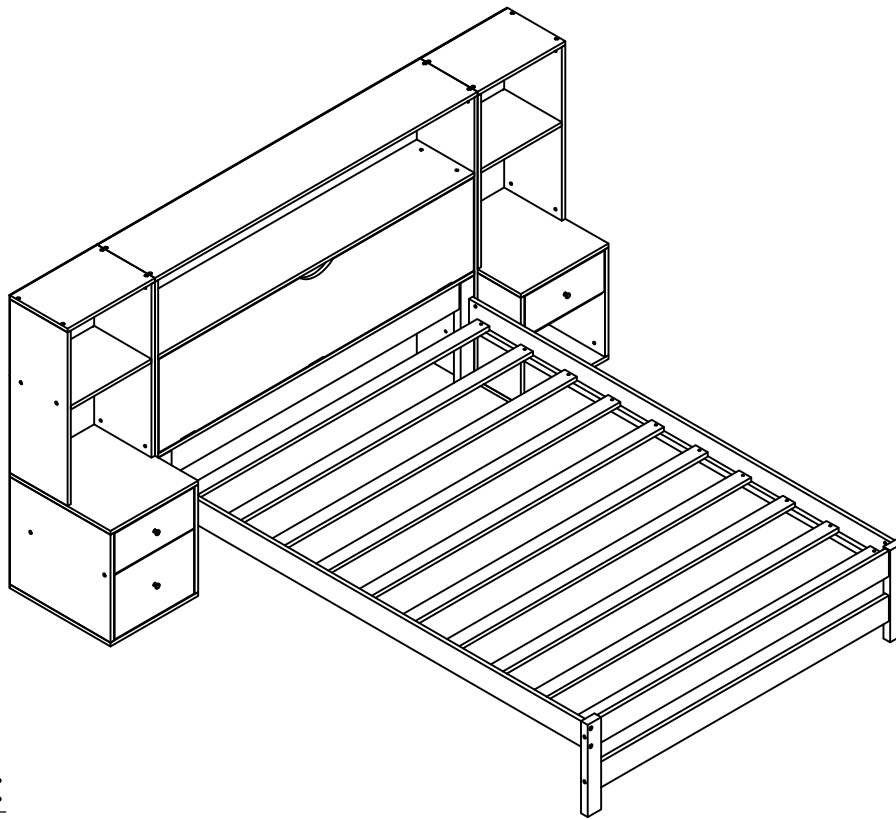


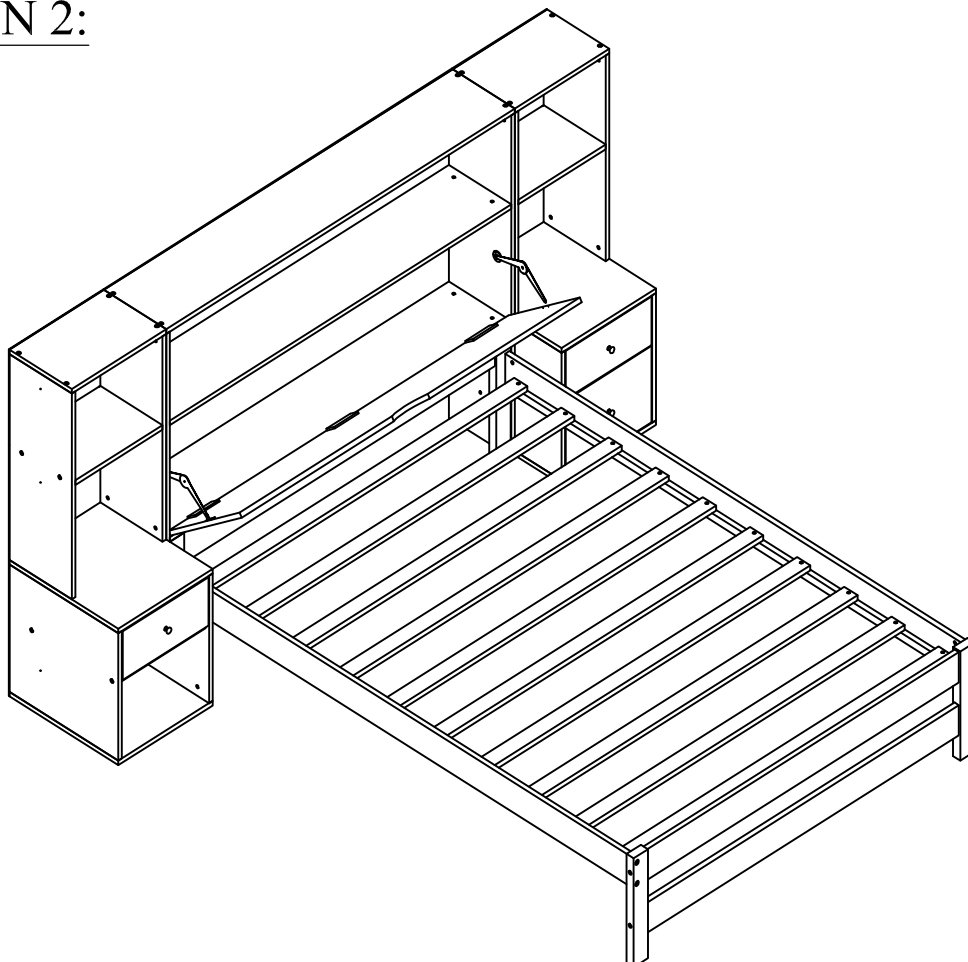
ASSEMBLY INSTRUCTION

SKU CODE: WF309217 / WF309218

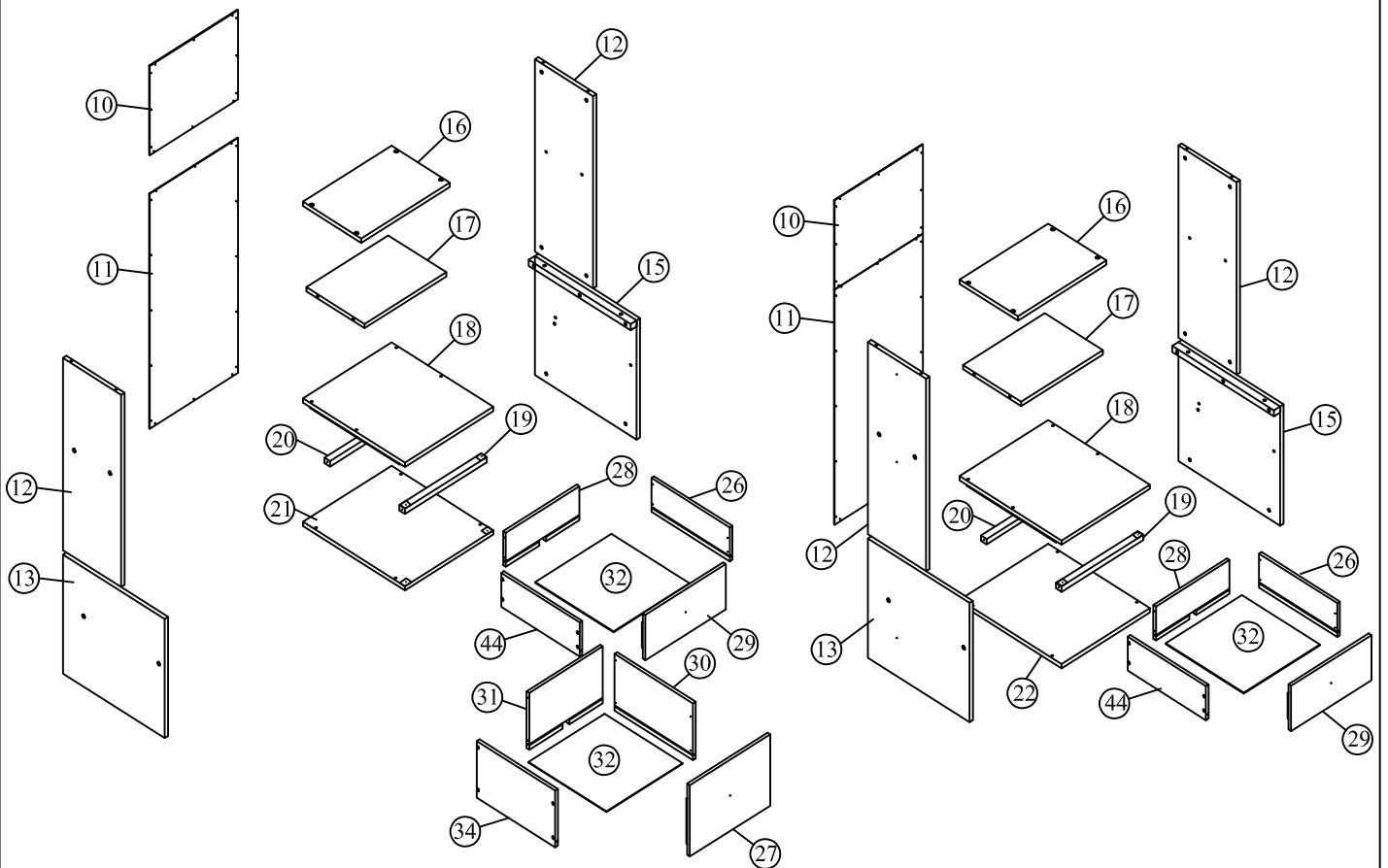
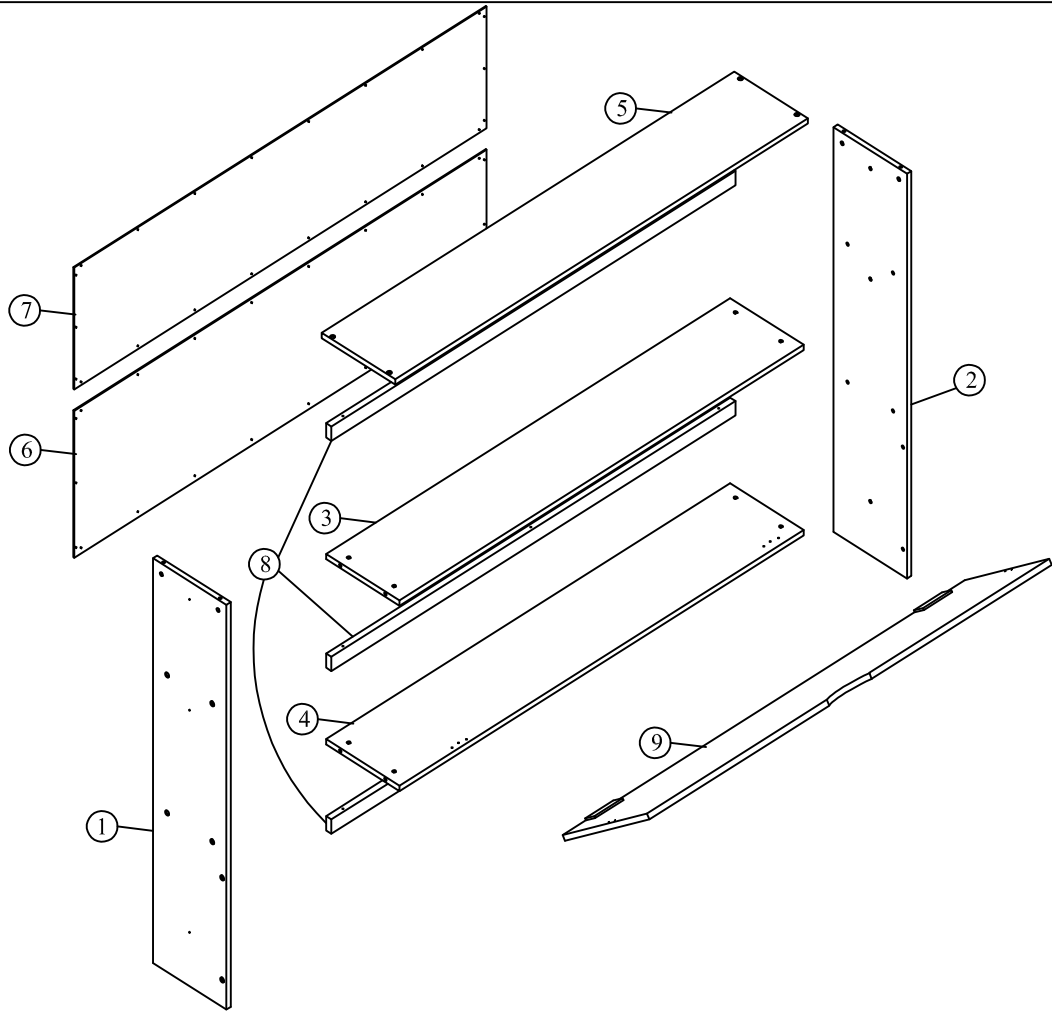


OPTION 1:

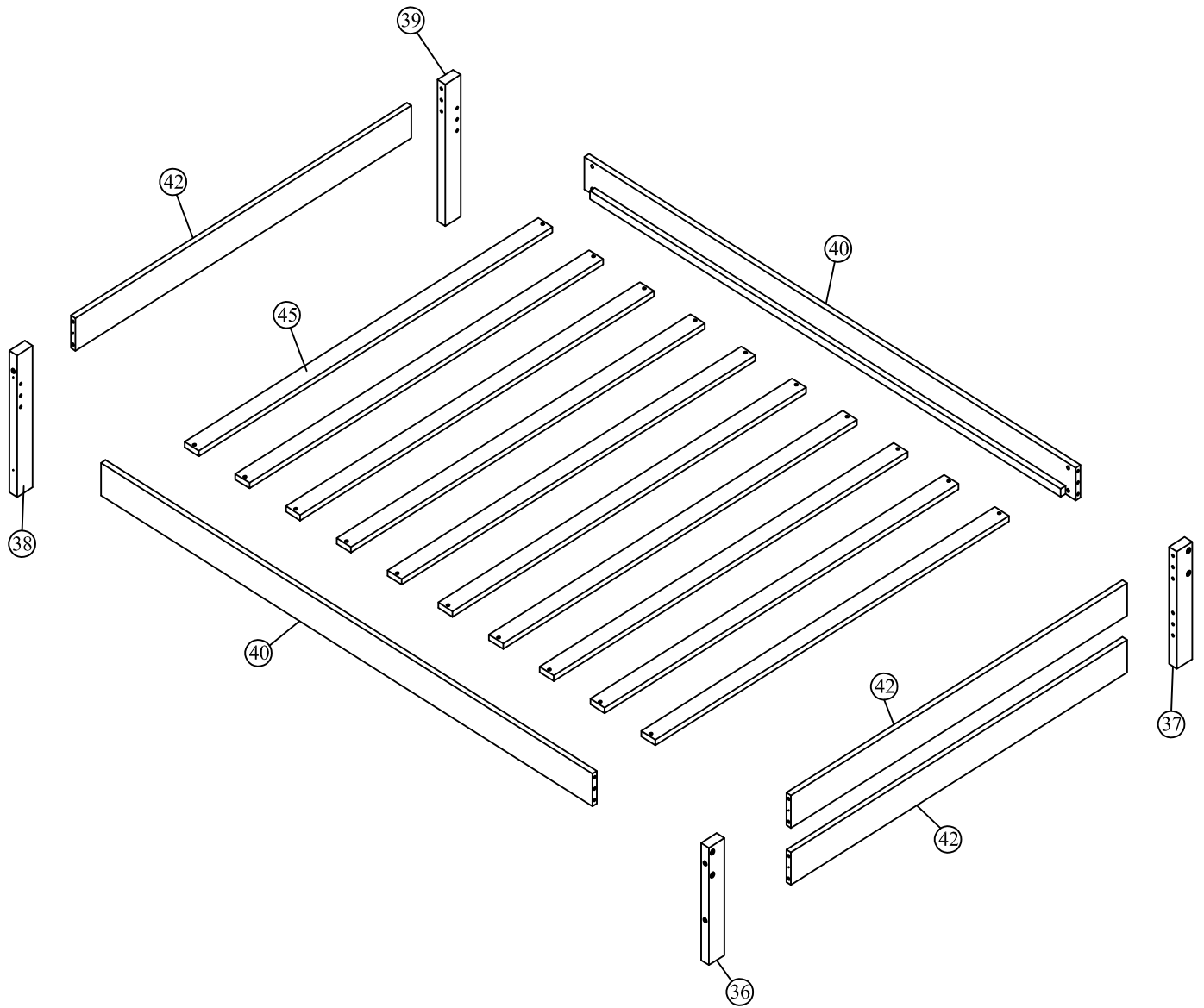
OPTION 2:



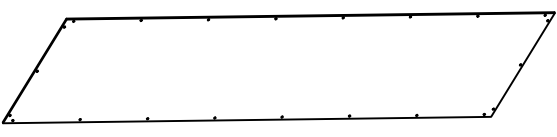
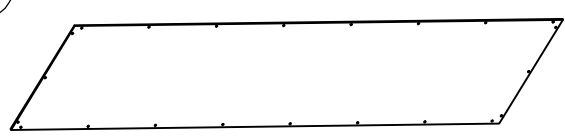
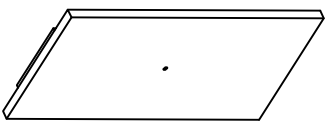
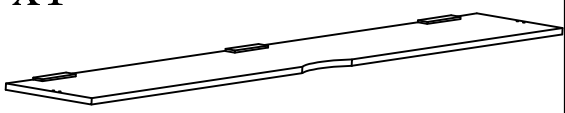
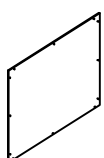
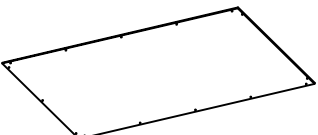
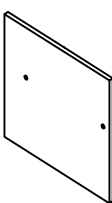
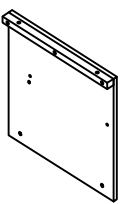
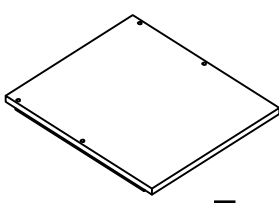
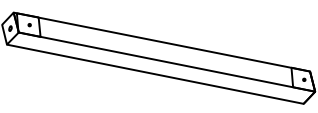
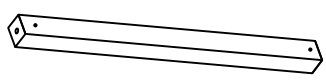
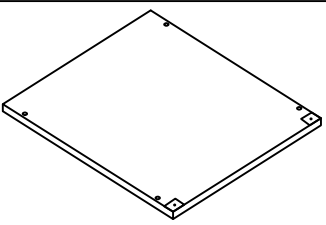
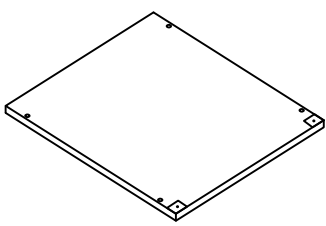
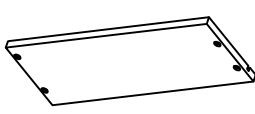
Detail:



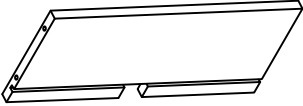
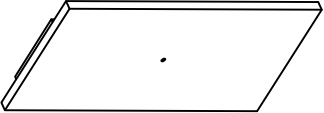

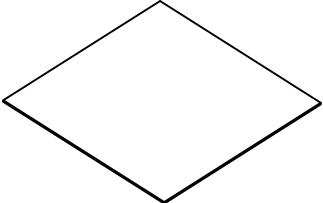
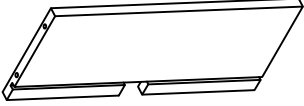
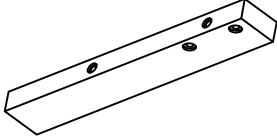
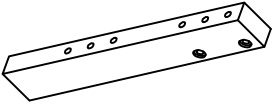
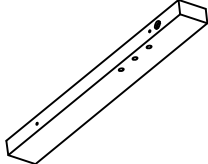
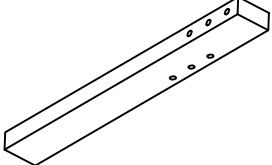
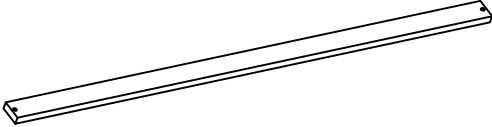

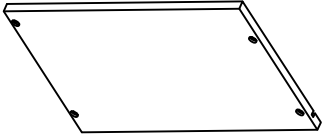
Detail:



Part List (WF309217)

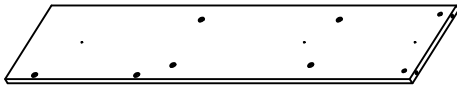
<p>⑥ x1</p>  <p style="text-align: center;">Back Panel</p>	<p>⑦ x1</p>  <p style="text-align: center;">Back Panel</p>
<p>⑳ x1</p>  <p style="text-align: center;">Drawers Front</p>	<p>⑨ x1</p>  <p style="text-align: center;">Toplid</p>
<p>⑩ x2</p>  <p style="text-align: center;">Back Panel</p>	<p>⑪ x2</p>  <p style="text-align: center;">Back Panel</p>
<p>⑬ x2</p>  <p style="text-align: center;">Side cabinet</p>	<p>⑮ x2</p>  <p style="text-align: center;">Side cabinet</p>
<p>⑱ x2</p>  <p style="text-align: center;">Top cabinet</p>	<p>⑲ x2</p>  <p style="text-align: center;">Support Sliding rails</p>
<p>㉔ x2</p>  <p style="text-align: center;">Support Sliding rails</p>	<p>㉑ x1</p>  <p style="text-align: center;">Bottom cabinet</p>
<p>㉒ x1</p>  <p style="text-align: center;">Bottom cabinet</p>	<p>㉖ x2</p>  <p style="text-align: center;">Drawer Sides</p>

Part List (WF309217)

<p>②⑧ x2</p>  <p style="text-align: center;">Back Drawers</p>	<p>②⑨ x2</p>  <p style="text-align: center;">Drawers Front</p>
<p>③① x1</p>  <p style="text-align: center;">Drawer Sides</p>	<p>③② x3</p>  <p style="text-align: center;">Drawer Bottoms</p>
<p>③① x1</p>  <p style="text-align: center;">Back Drawers</p>	<p>③⑥ x1</p>  <p style="text-align: center;">Front Left Leg</p>
<p>③⑦ x1</p>  <p style="text-align: center;">Front Right Leg</p>	<p>③⑧ x1</p>  <p style="text-align: center;">Back Left Leg</p>
<p>③⑨ x1</p>  <p style="text-align: center;">Back Right Leg</p>	<p>④④ x10</p>  <p style="text-align: center;">Slats</p>
<p>④④ x2</p>  <p style="text-align: center;">Drawer Sides</p>	<p>③④ x1</p>  <p style="text-align: center;">Drawer Sides</p>

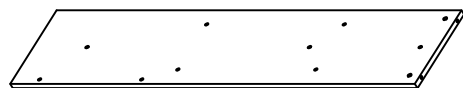
Part List (WF309218)

① x1



Mid Side cabinet

② x1



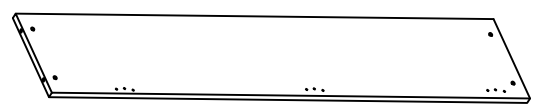
Mid Side cabinet

③ x1



Shelf (Mid) cabinet

④ x1



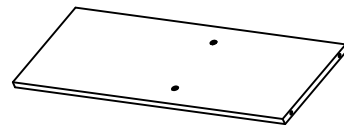
Shelf (Bottom) cabinet

⑤ x1



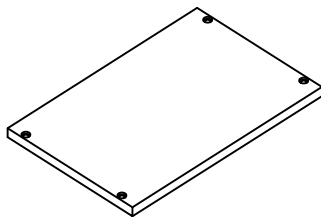
Shelf (Top) cabinet

⑫ x4



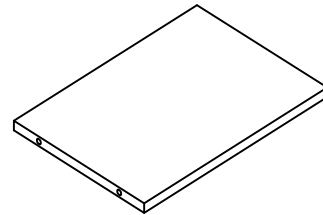
Side cabinet

⑯ x2



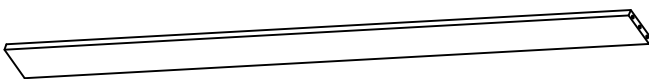
Shelf (Top) cabinet

⑰ x2



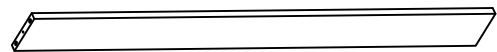
Shelf (Mid) cabinet

④① x2



Side Rails

④② x3



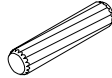
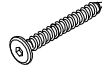


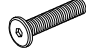

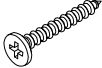

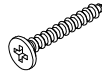
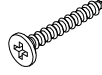

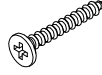





Headboard & Footboard Guard

⑧ x3



Guard

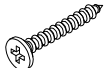
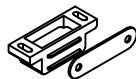


Hardware List (WF309217)

No.	OUTLOOK	DESC	QTY
(A)		Dowel Ø8*30mm	16pcs
(B)		Screws M6*35mm	12pcs
(C)		Screws M6*80mm	6pcs
(D)		Bolts M6*50mm	44pcs
(F)		Bolts M6*25mm	8pcs
(G)		Cross dowel M6* 13mm	52pcs
(H)		Round head screw #8*40mm	9pcs
(I)		Round head screw #8*15mm	88pcs
(J)		Flat head screw #8*15mm	9pcs
(K)		Flat head screw #8*25mm	53pcs
(L)		Bolts M6*65mm	8pcs
(M)		Flat head screw #7*12mm	30pcs
(N)		Door Hinge	2pcs
(O)		Sliding Rails Kenlin	3pcs
(P)		Sliding Rails Kenlin	3pcs
(Q)		Handle	3pcs
(X)		Allen key 60*22*4mm	1pc

ASSEMBLY TOOLS REQUIRED (NOT INCLUDED)



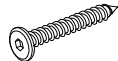

Hardware List (WF309217)

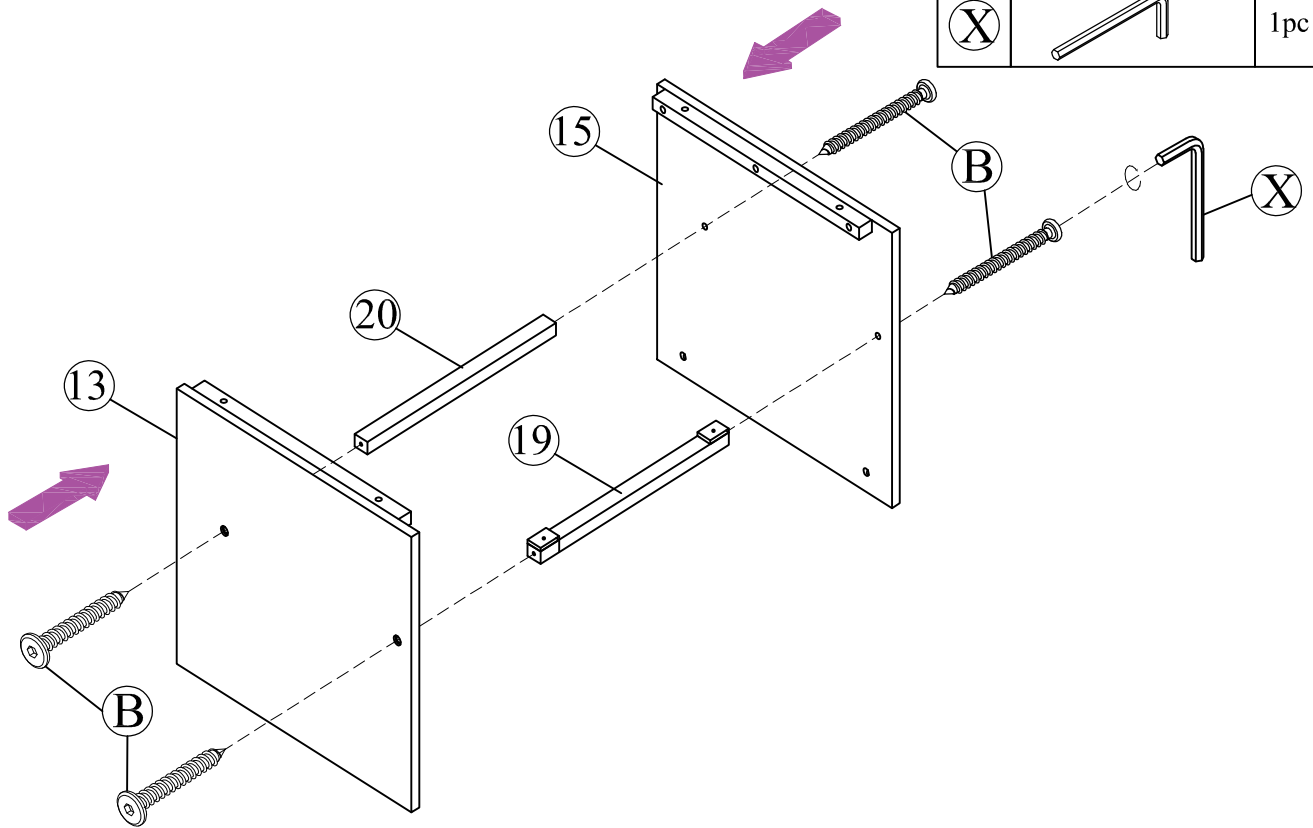
No.	OUTLOOK	DESC	QTY
Y		Flat head screw #7*15mm	4pcs
Z		Inhaler magnet	2pcs
W		Flap fitting (Left)	1pc
T		Flap fitting (Right)	1pc

ASSEMBLY TOOLS REQUIRED (NOT INCLUDED)





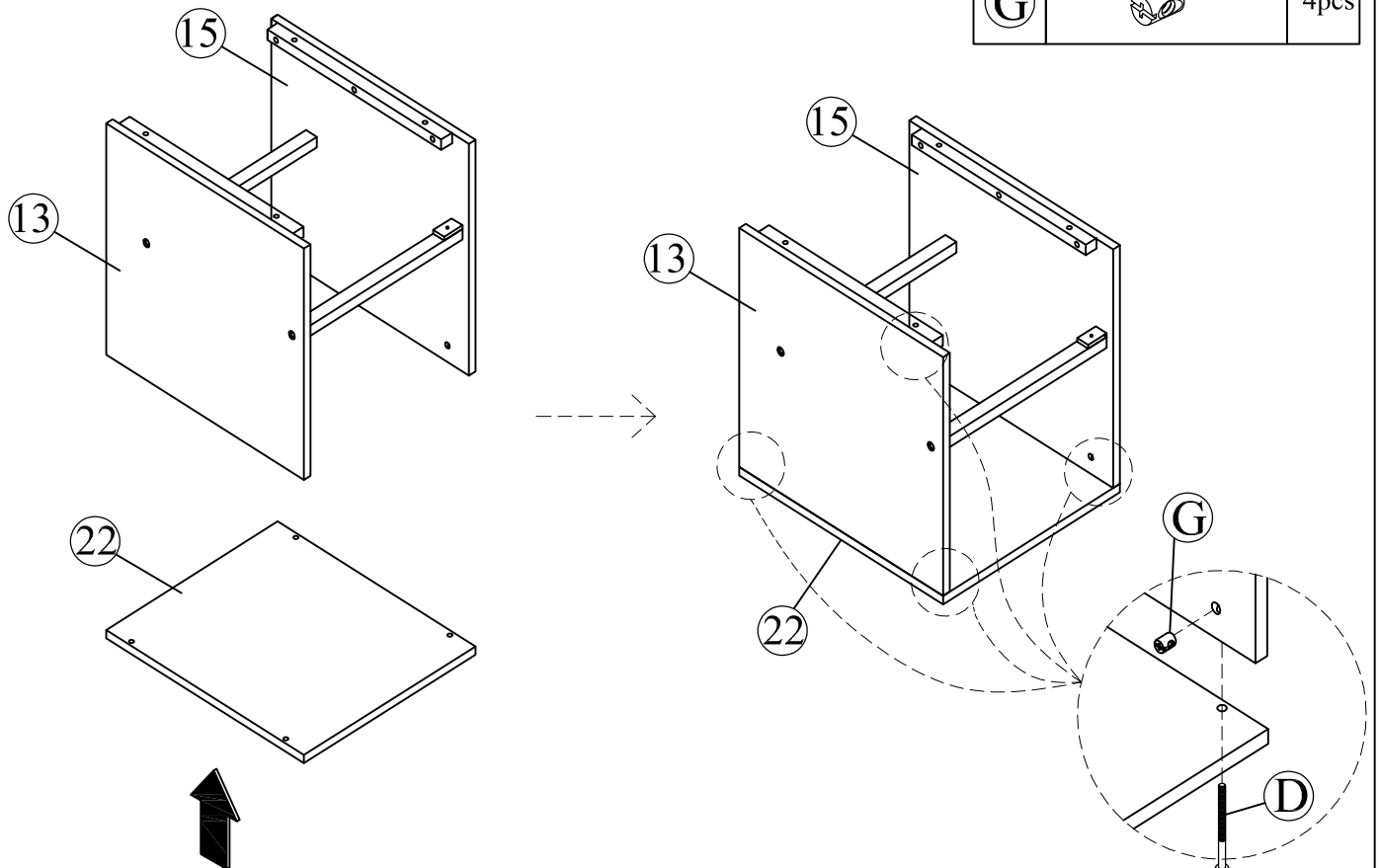
STEP 1:

(B)		4pcs
(X)		1pc






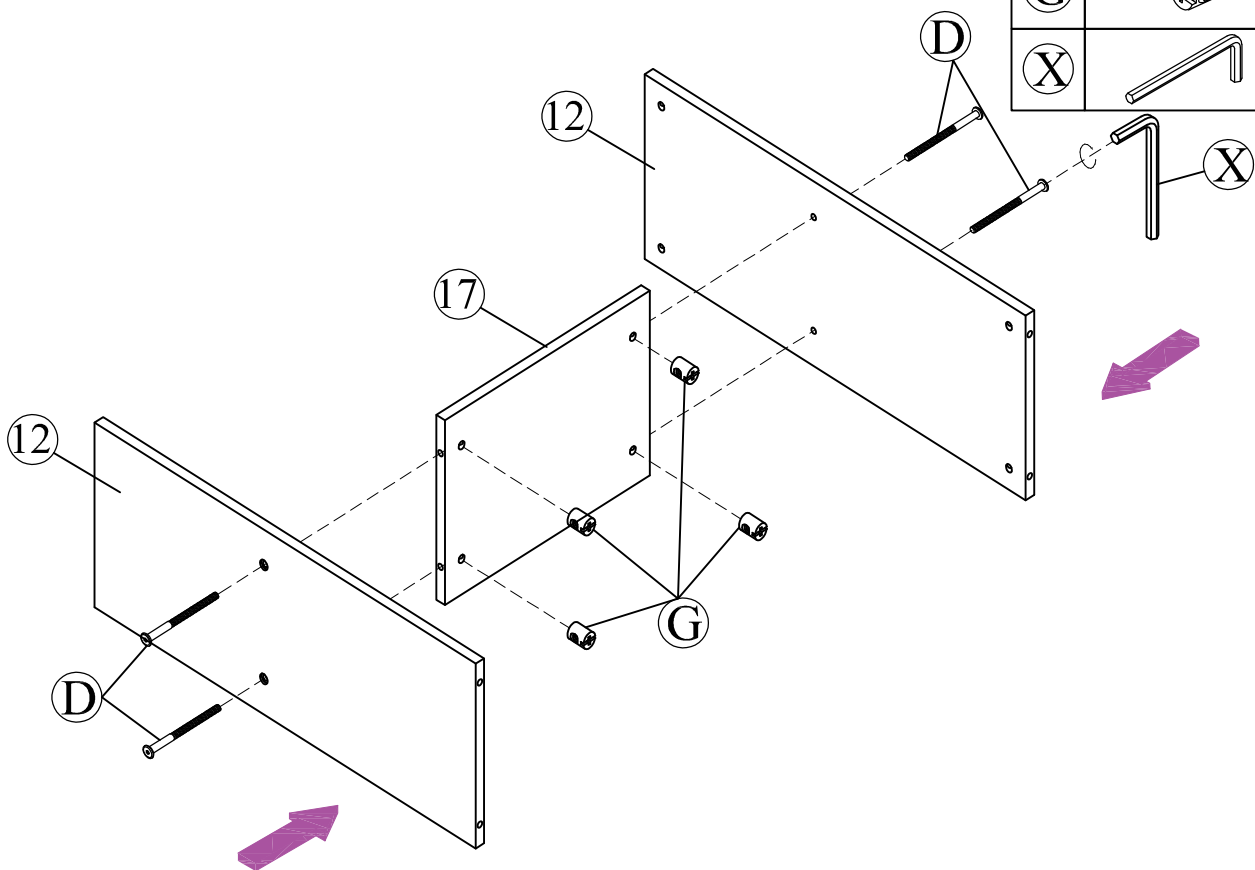
STEP 2:

(D)		4pcs
(G)		4pcs





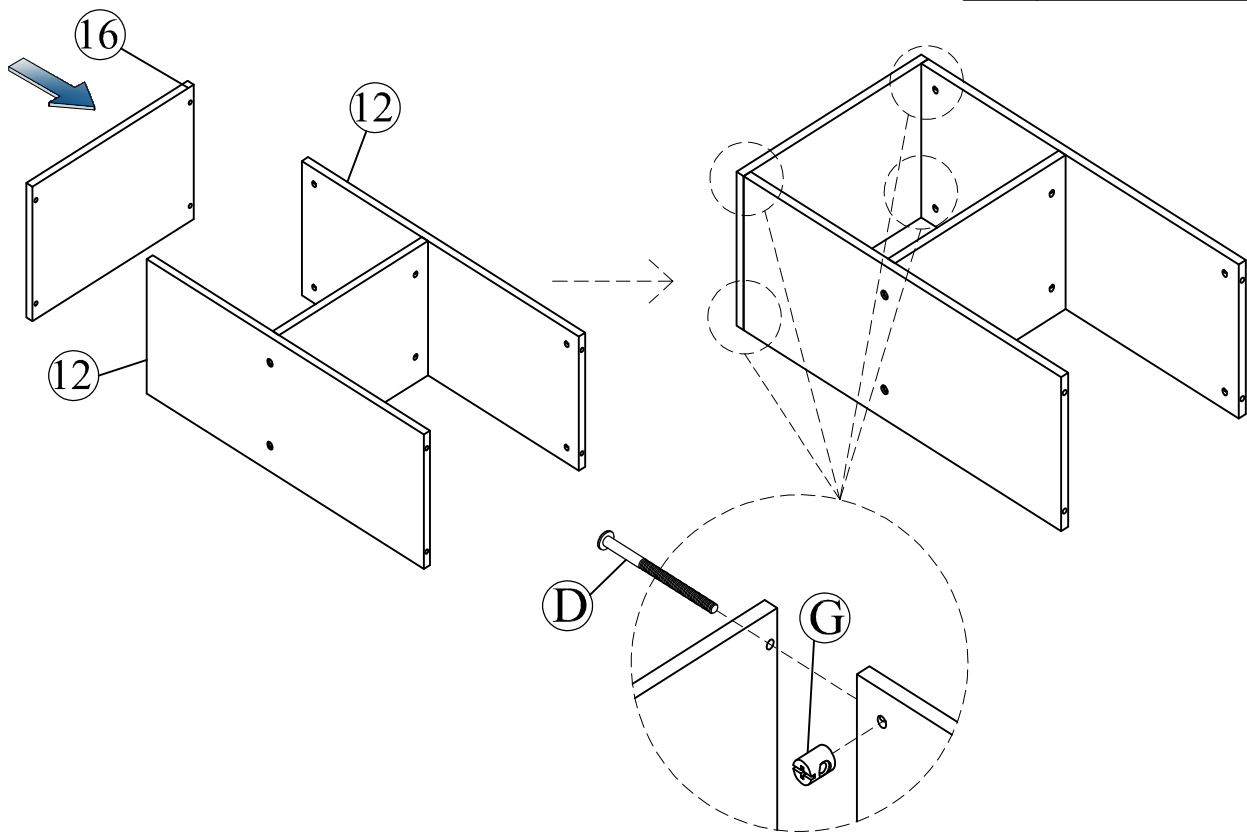
STEP 3:

(D)		4pcs
(G)		4pcs
(X)		1pc






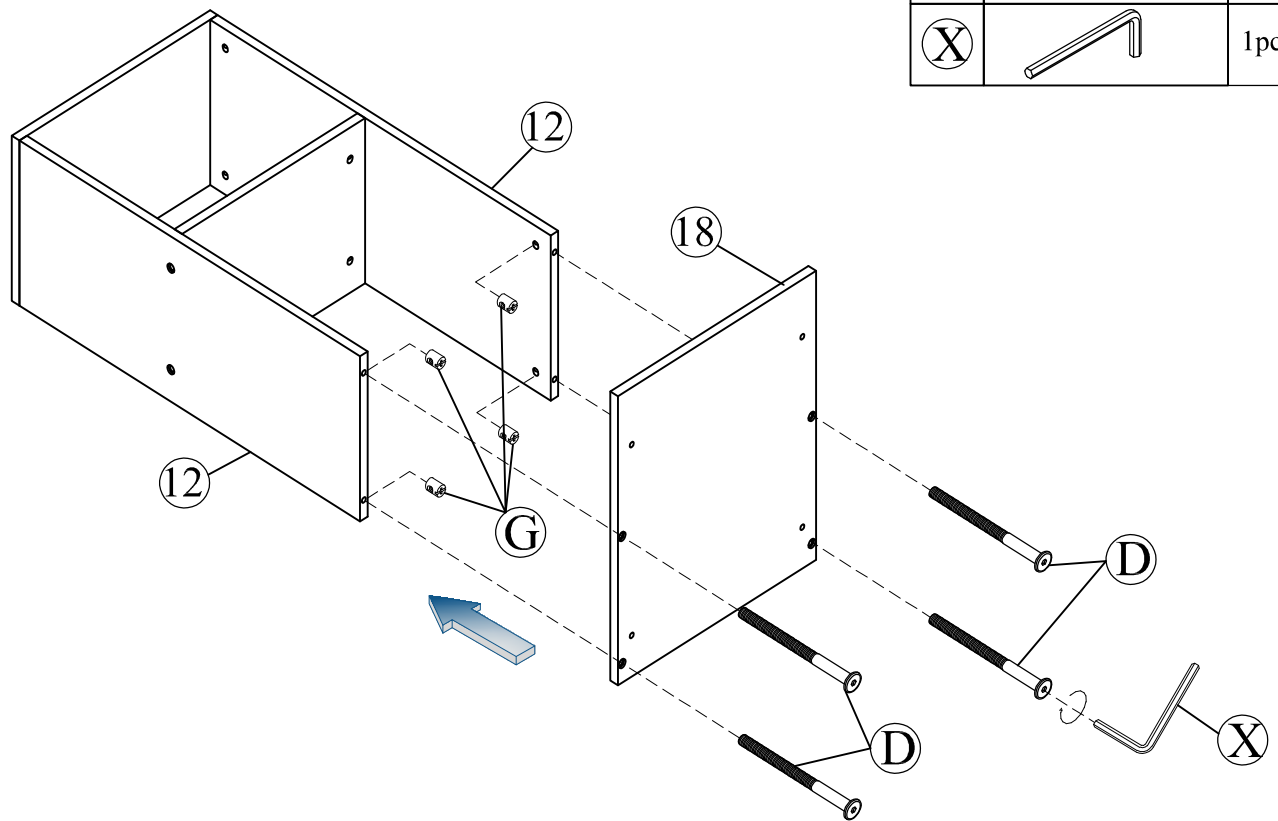
STEP 4:

(D)		4pcs
(G)		4pcs

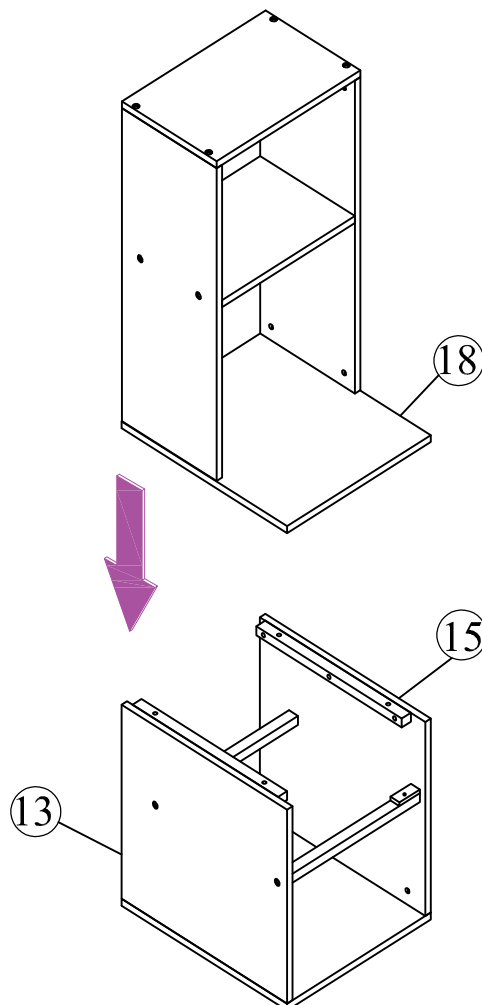


STEP 5:

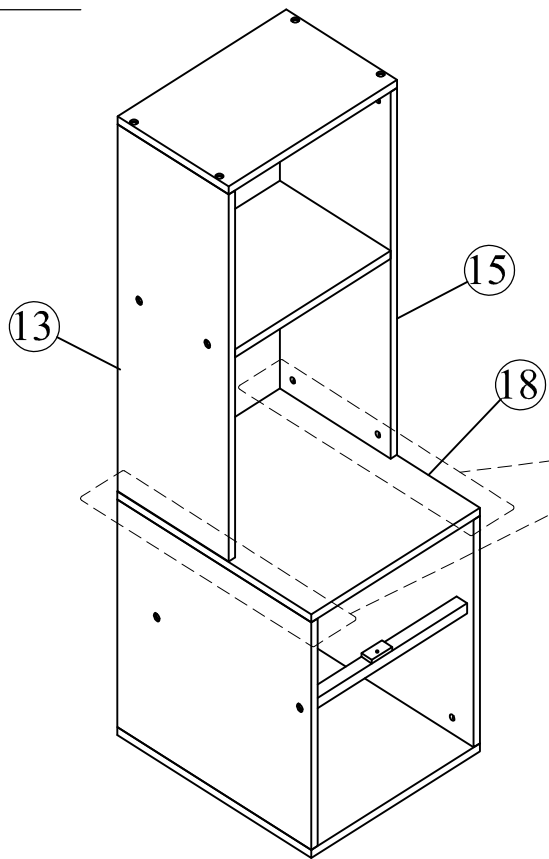
D		4pcs
G		4pcs
X		1pc



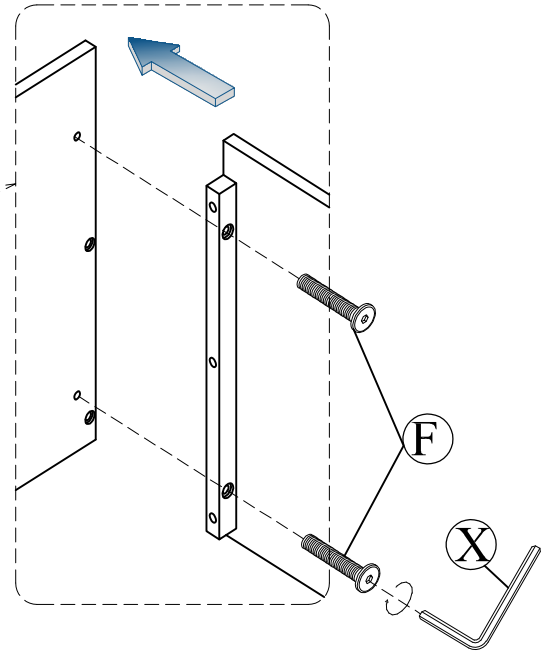
STEP 6:



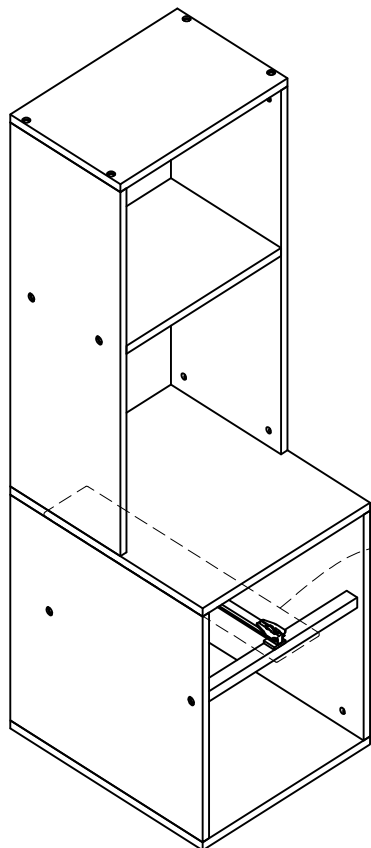
STEP 7:



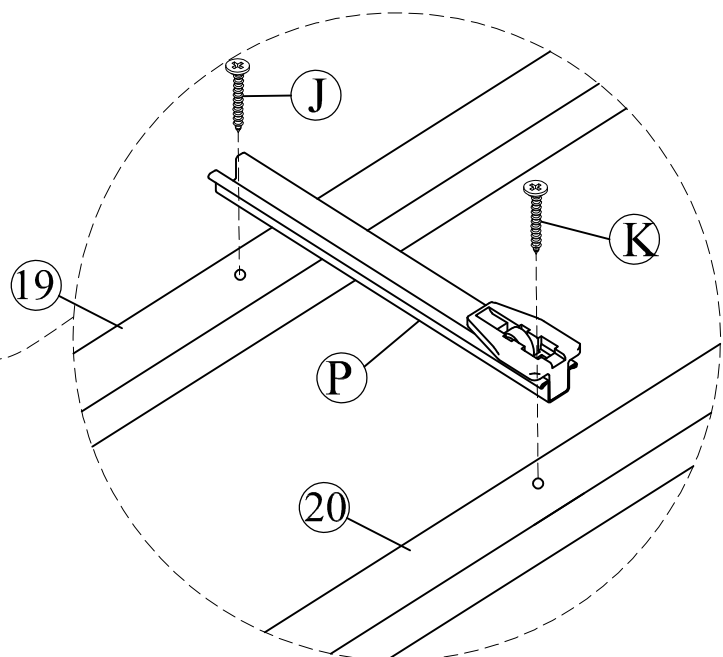
(X)		1pc
(F)		4pcs



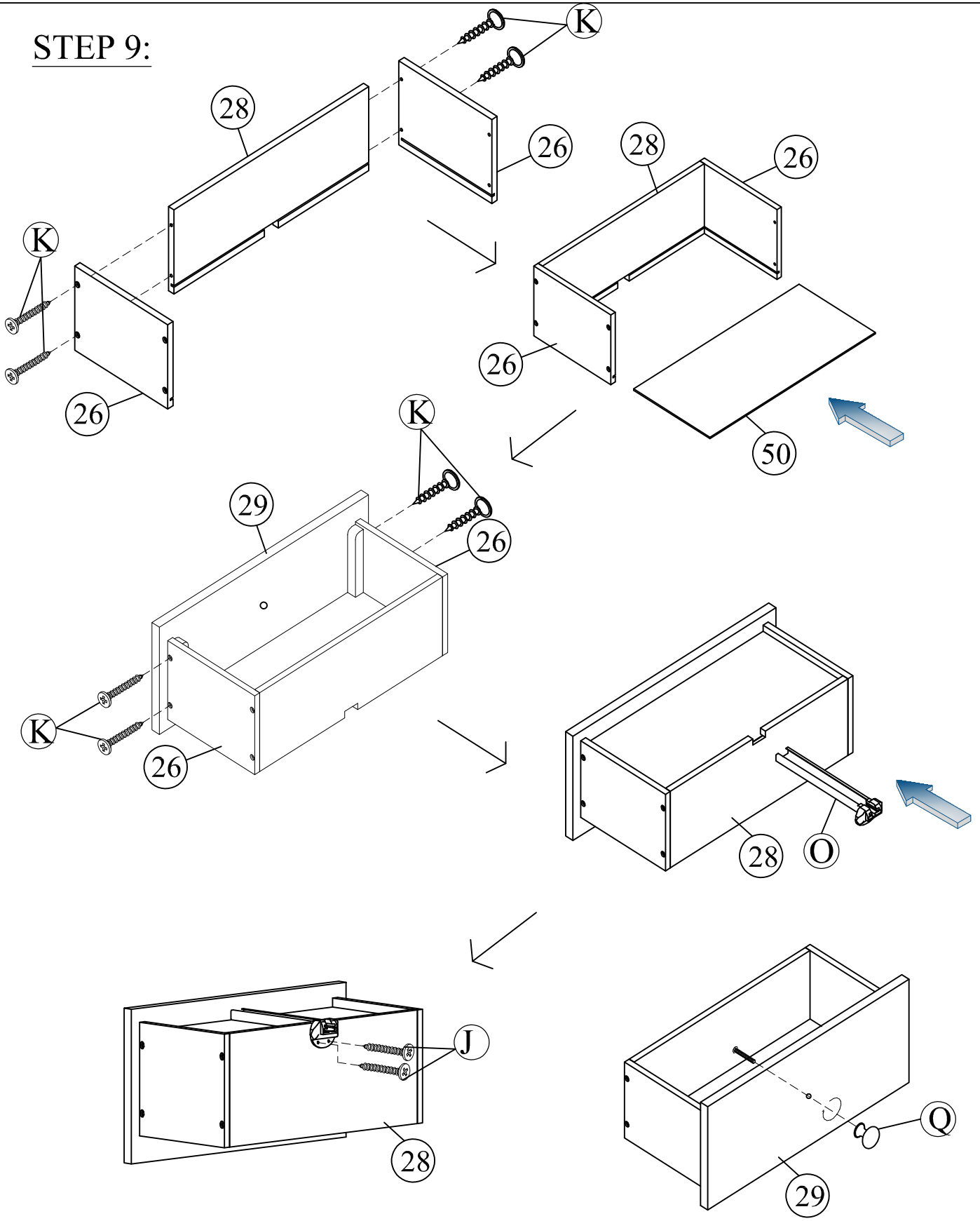
STEP 8:



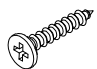
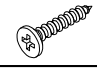


(K)		1pc
(J)		1pc
(P)		1pc



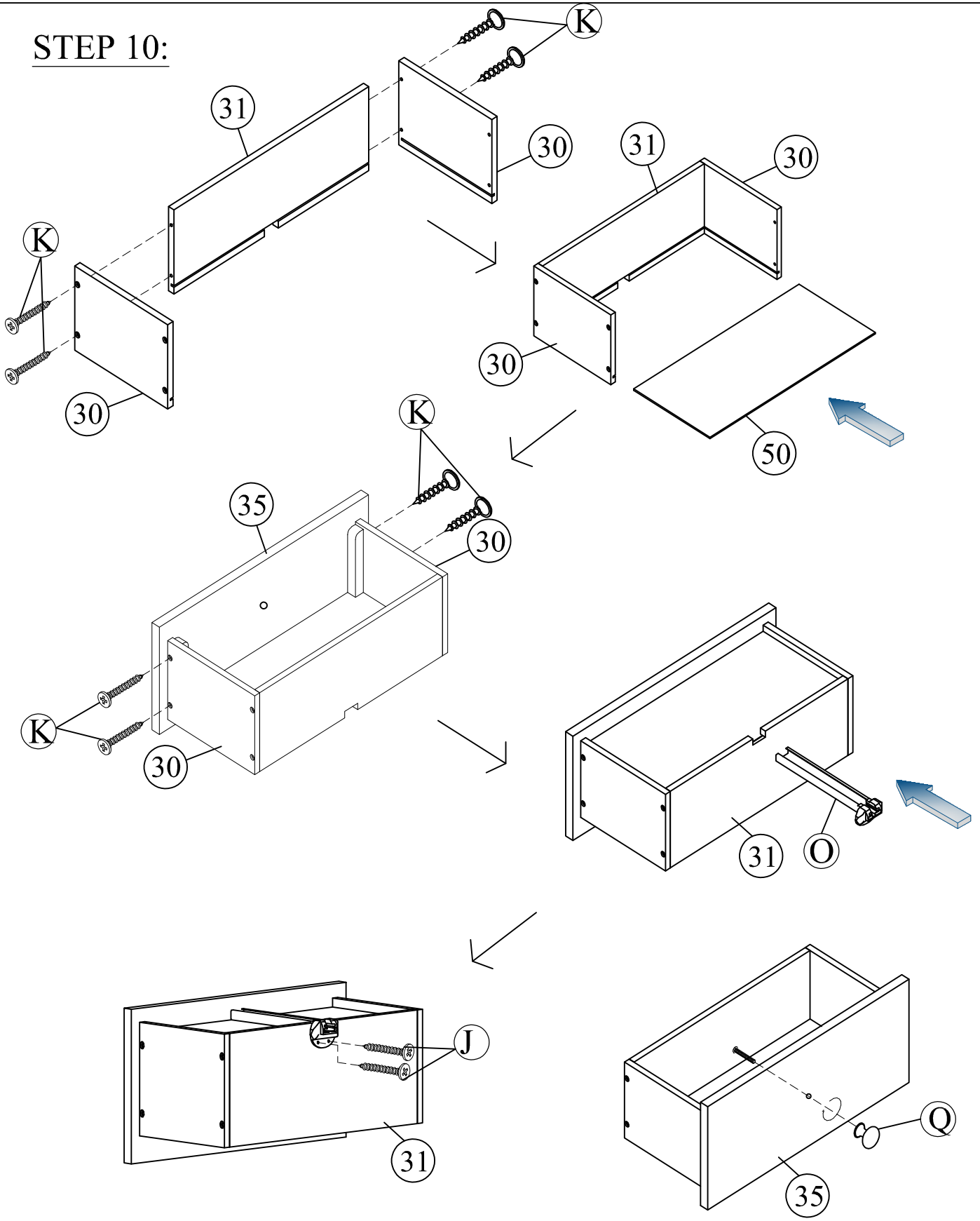
STEP 9:



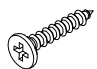
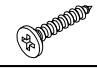


x2

(K)		16pcs
(J)		4pcs
(Q)		1pc
(O)		2pcs

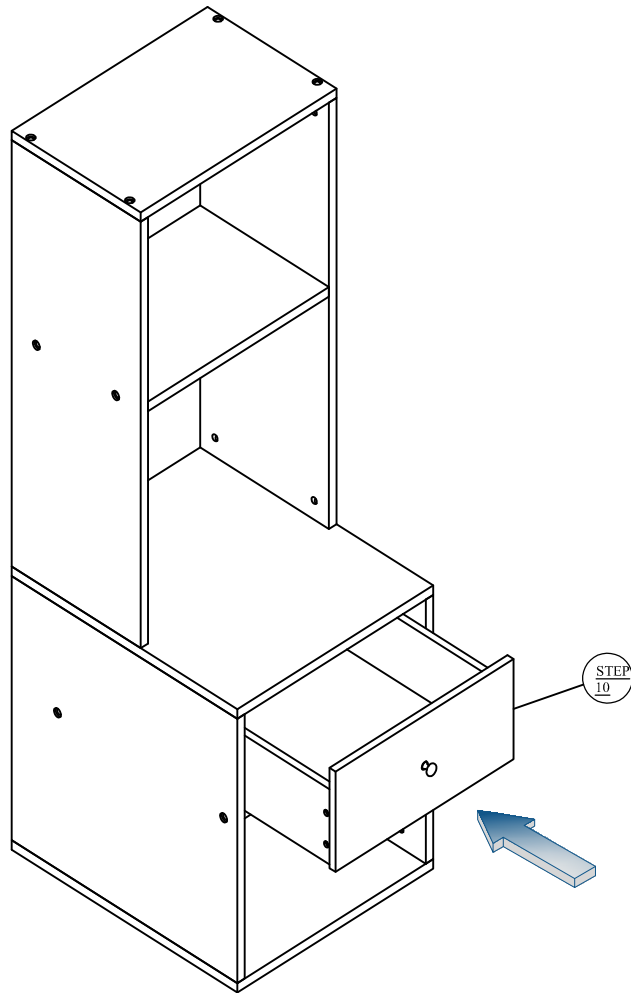
STEP 10:




x1

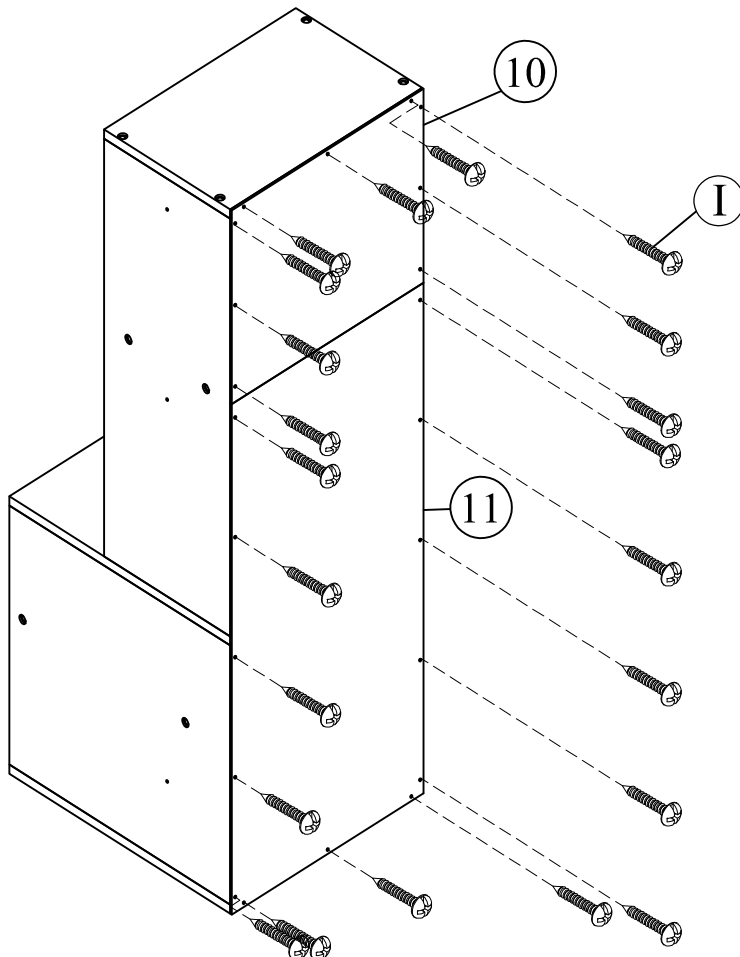
(K)		8pcs
(J)		2pcs
(Q)		1pc
(O)		1pc

STEP 11:

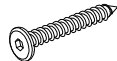



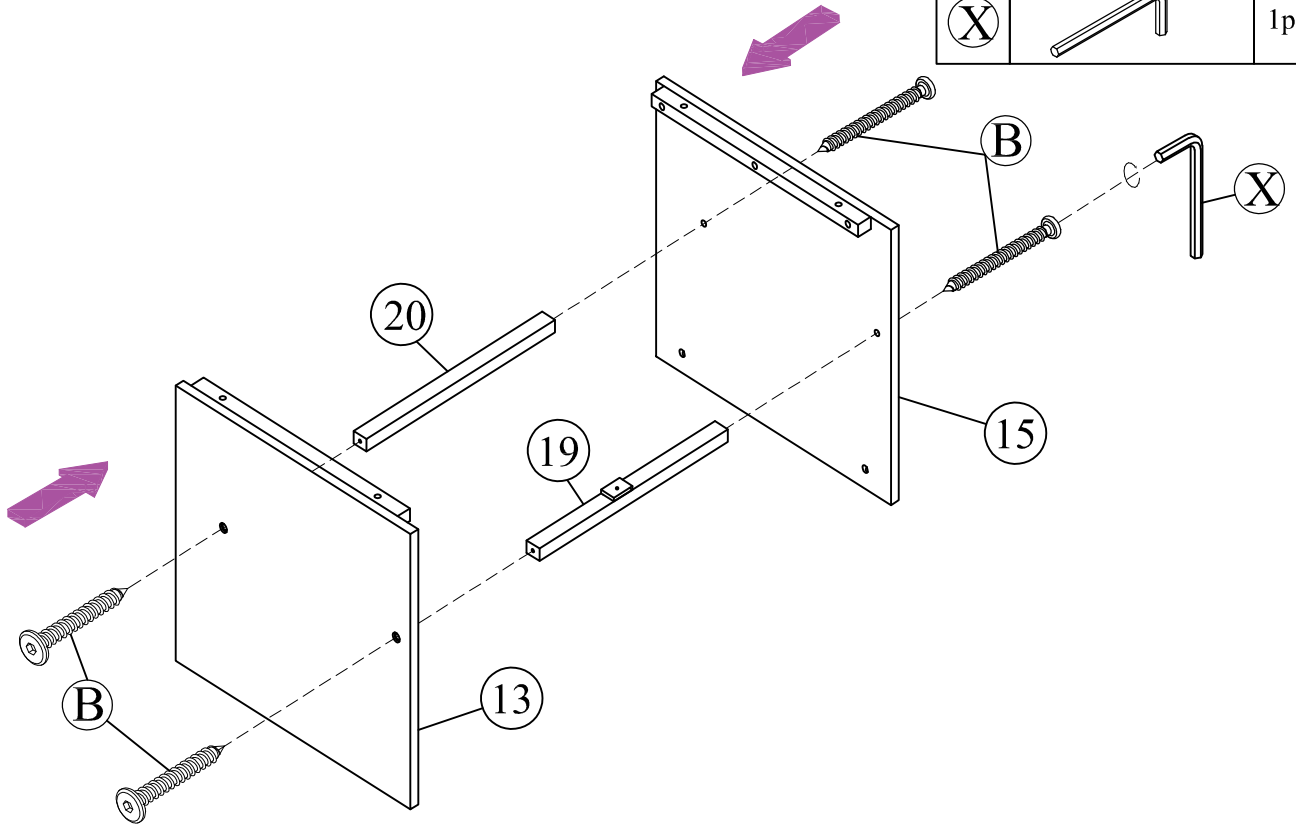
STEP 12:

I		22pcs
---	---	-------





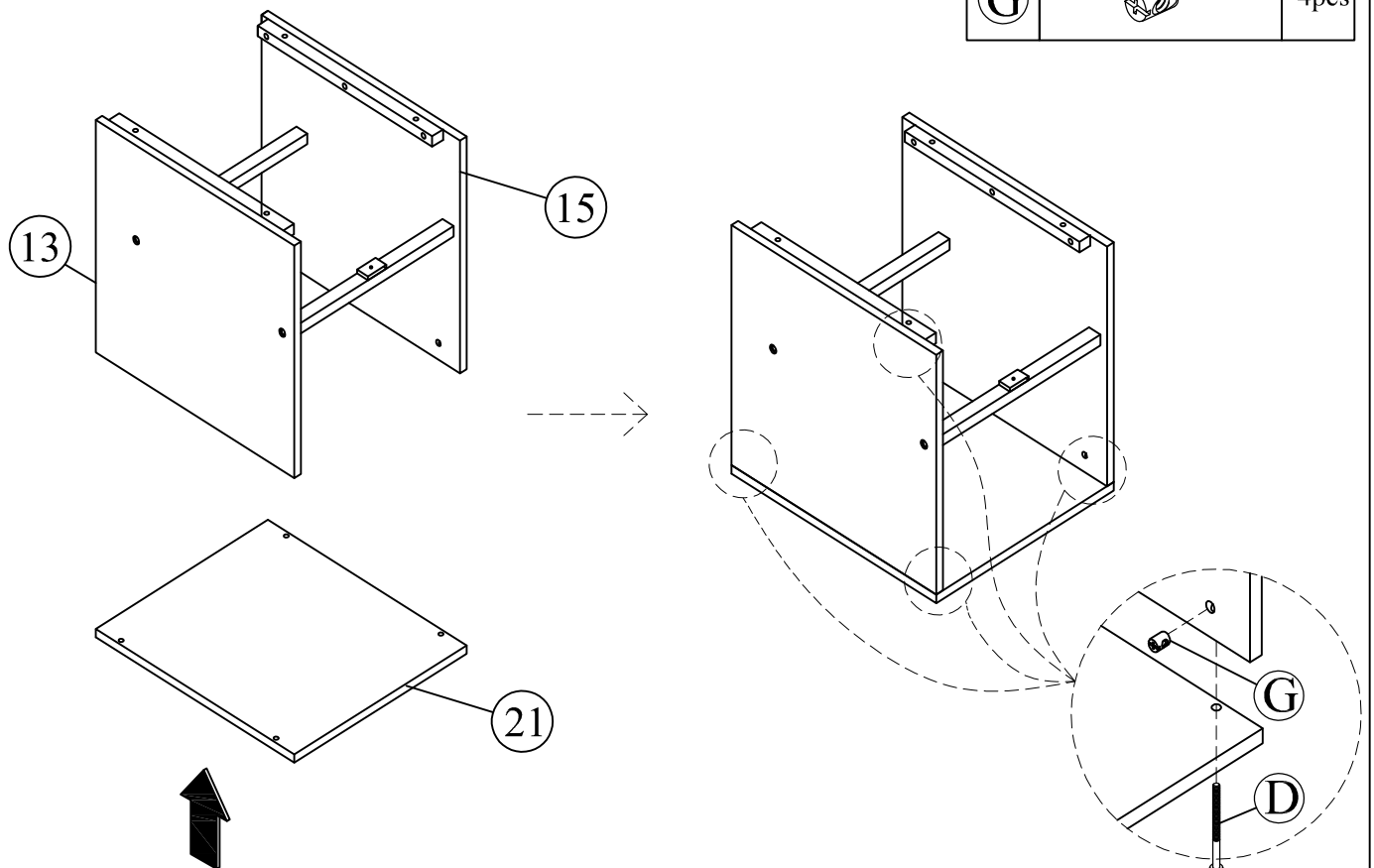
STEP 13:

(B)		4pcs
(X)		1pc






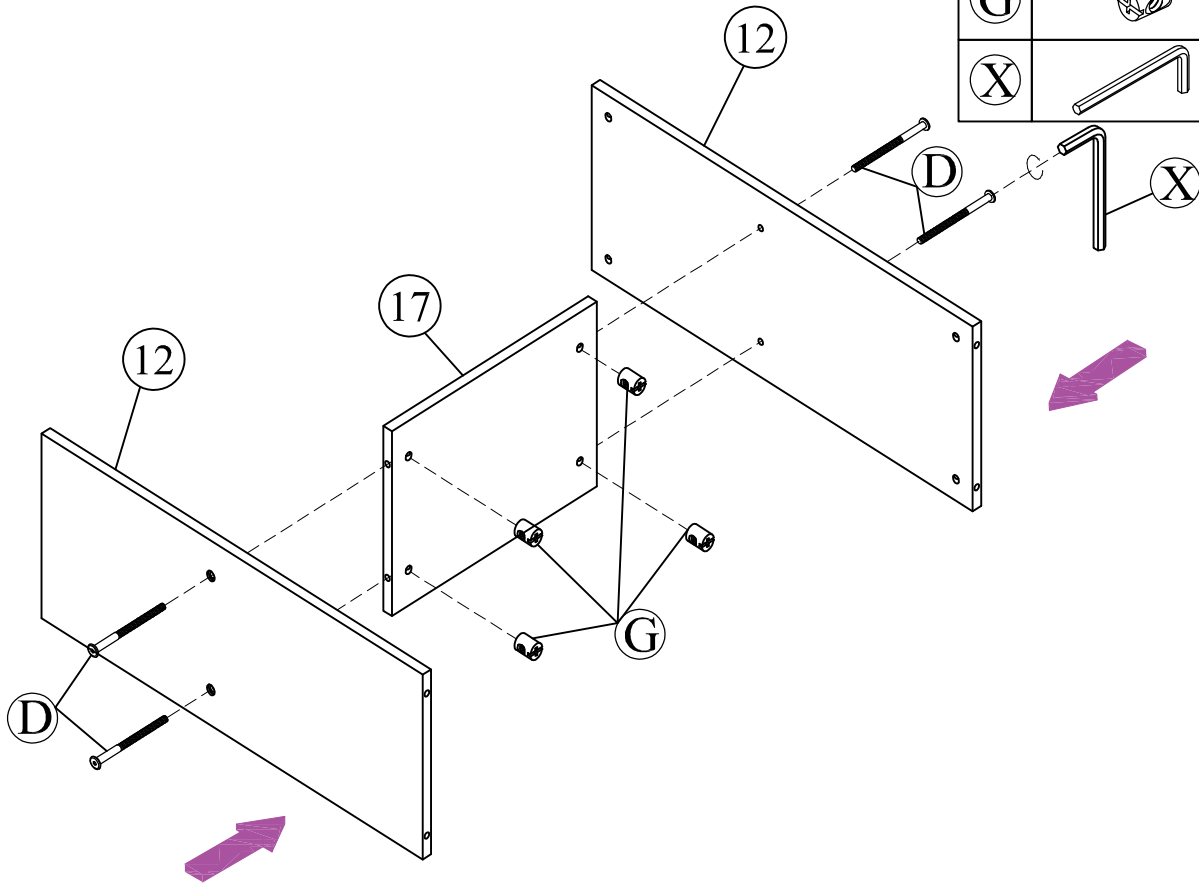
STEP 14:

(D)		4pcs
(G)		4pcs





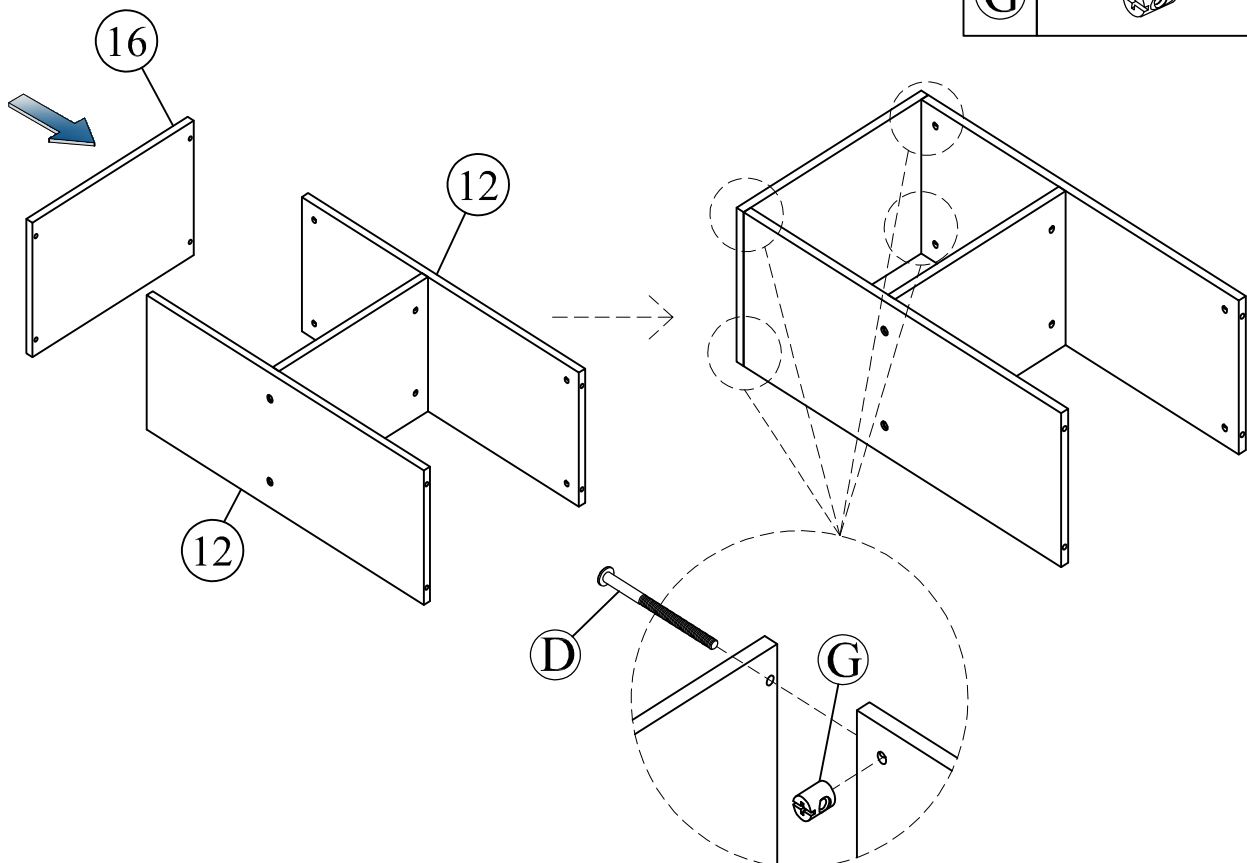
STEP 15:

D		4pcs
G		4pcs
X		1pc






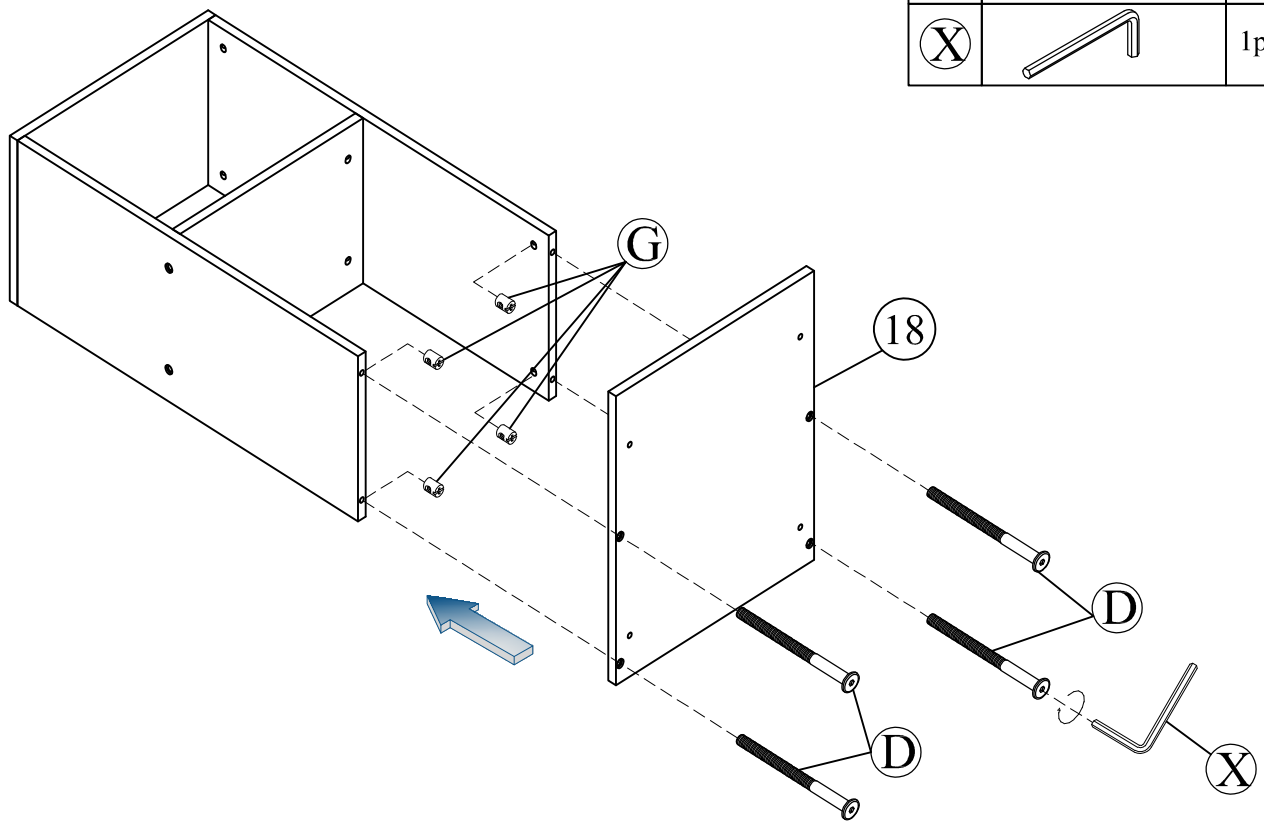
STEP 16:

D		4pcs
G		4pcs

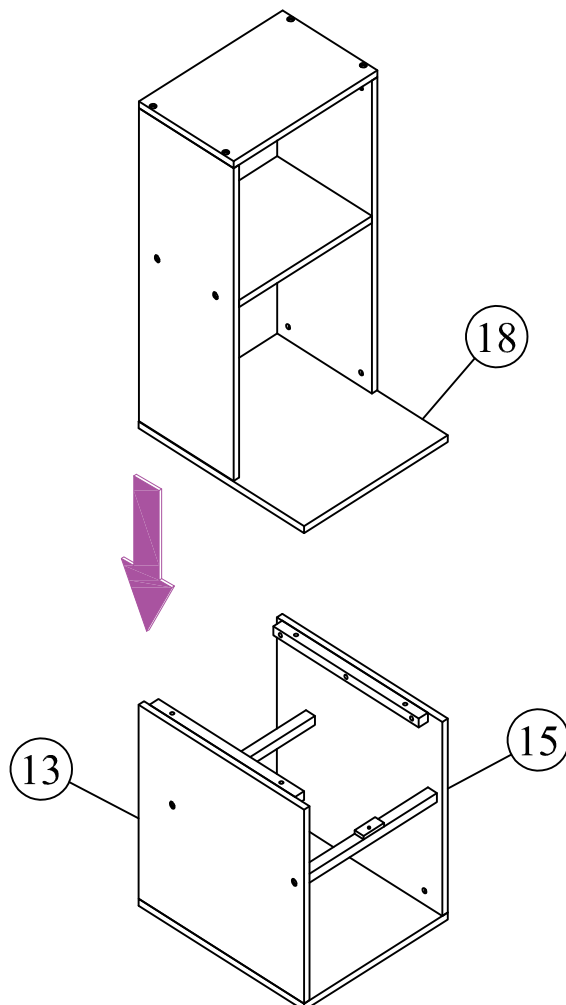


STEP 17:



D		4pcs
G		4pcs
X		1pc

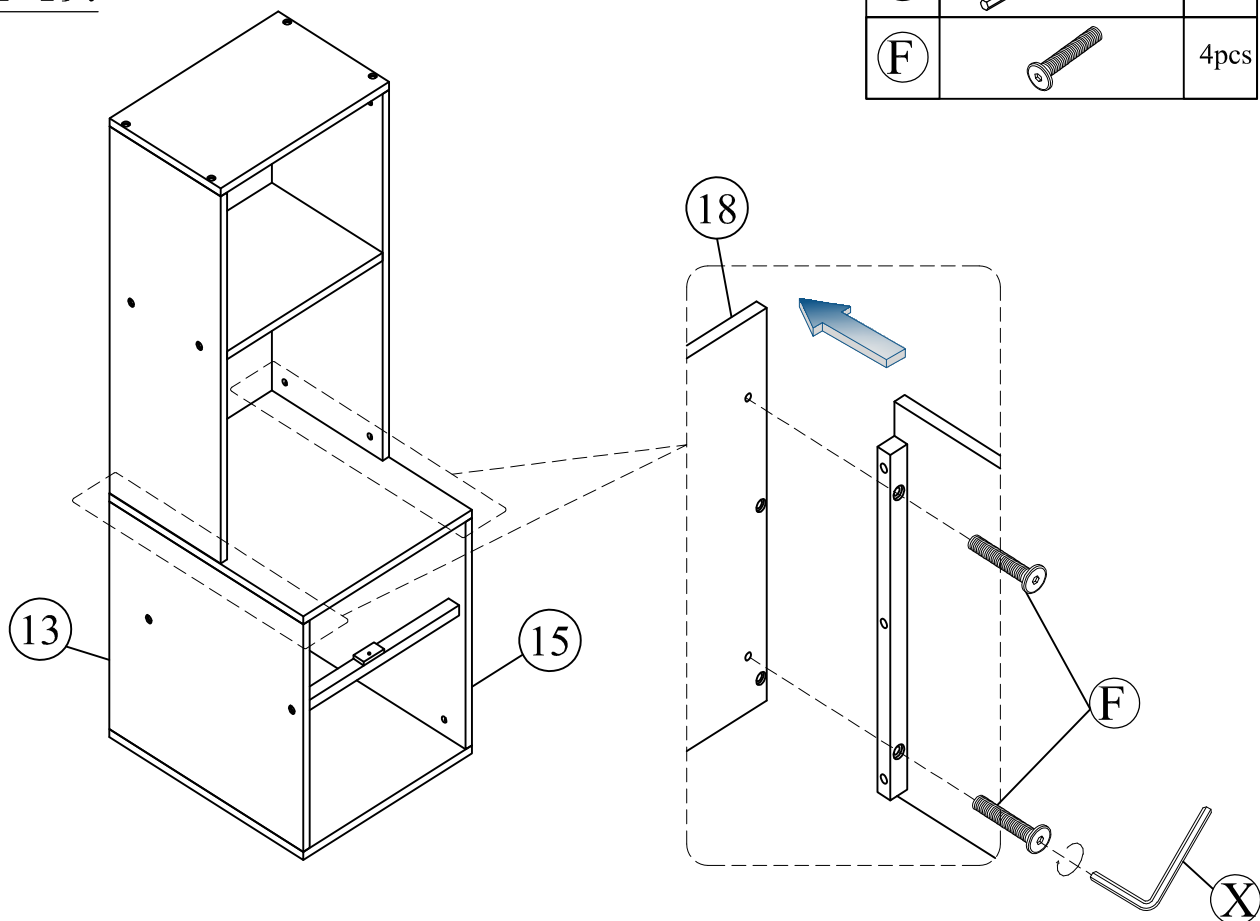


STEP 18:






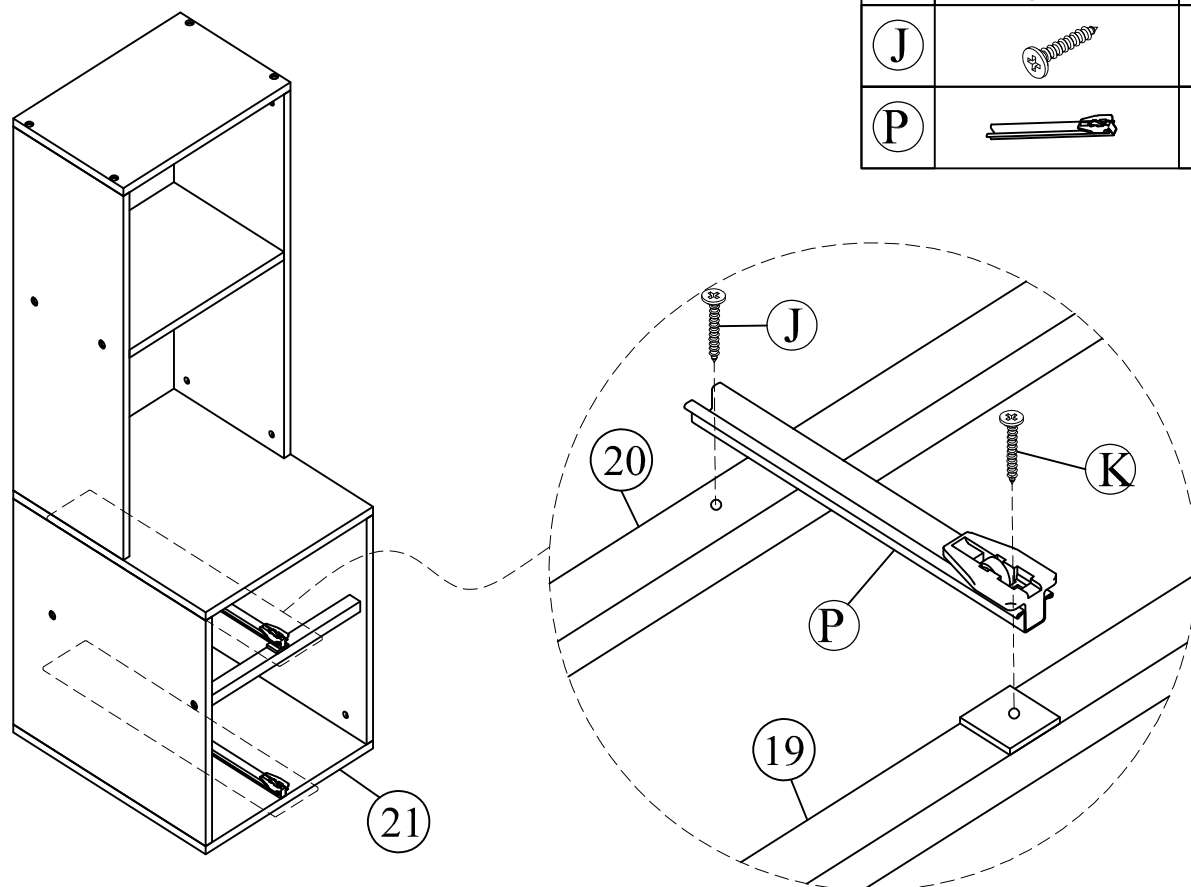
STEP 19:

(X)		1pc
(F)		4pcs

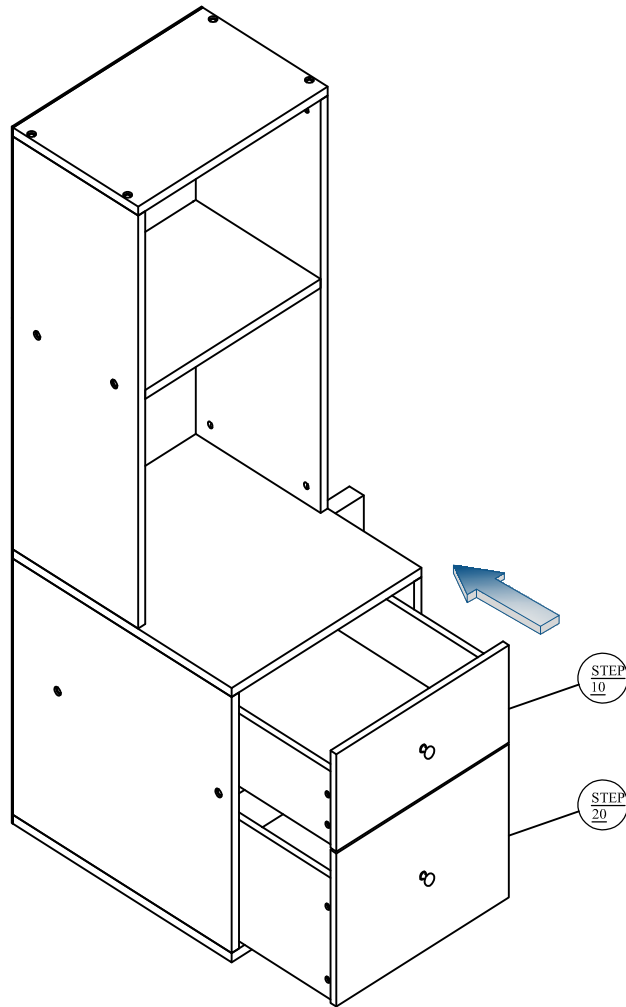


STEP 20:

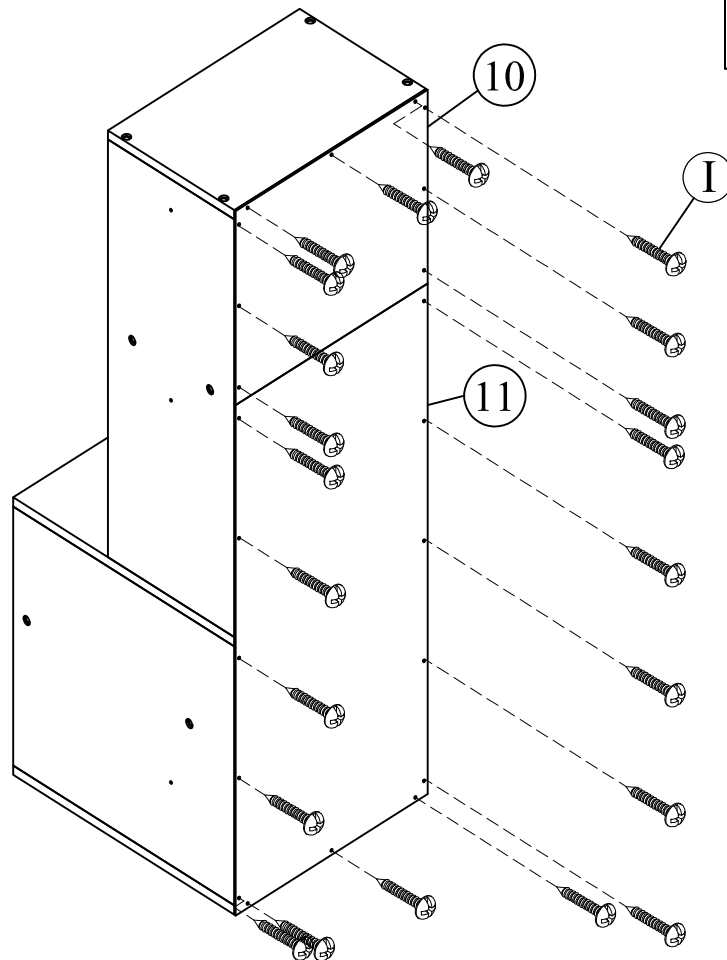
(K)		2pcs
(J)		2pcs
(P)		2pcs




STEP 21:

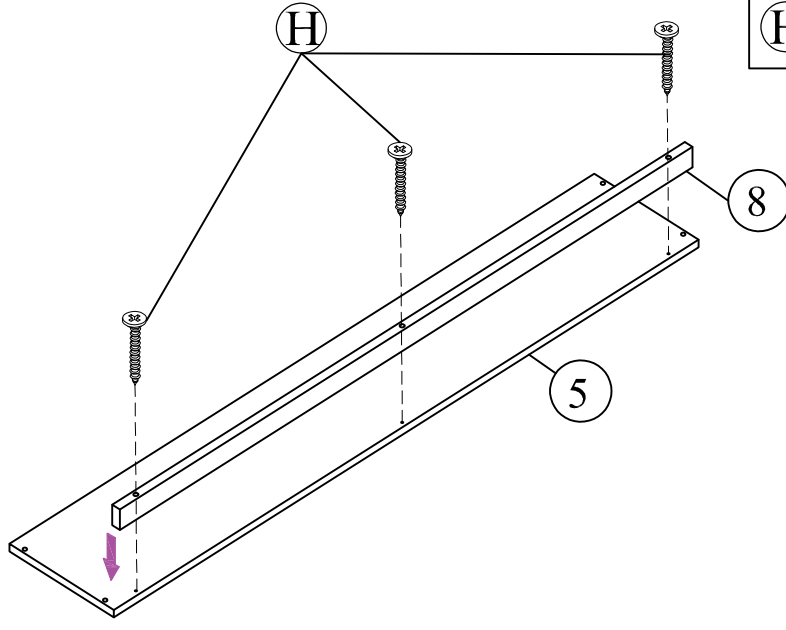


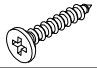
STEP 22:



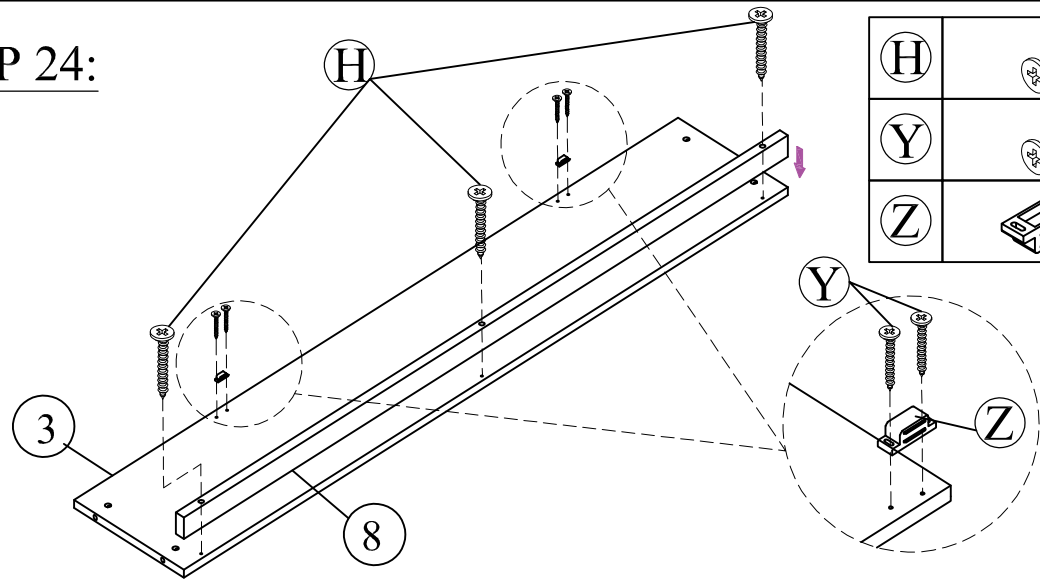
I		22pcs
---	---	-------

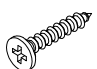
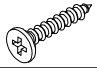
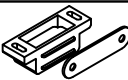
STEP 23:



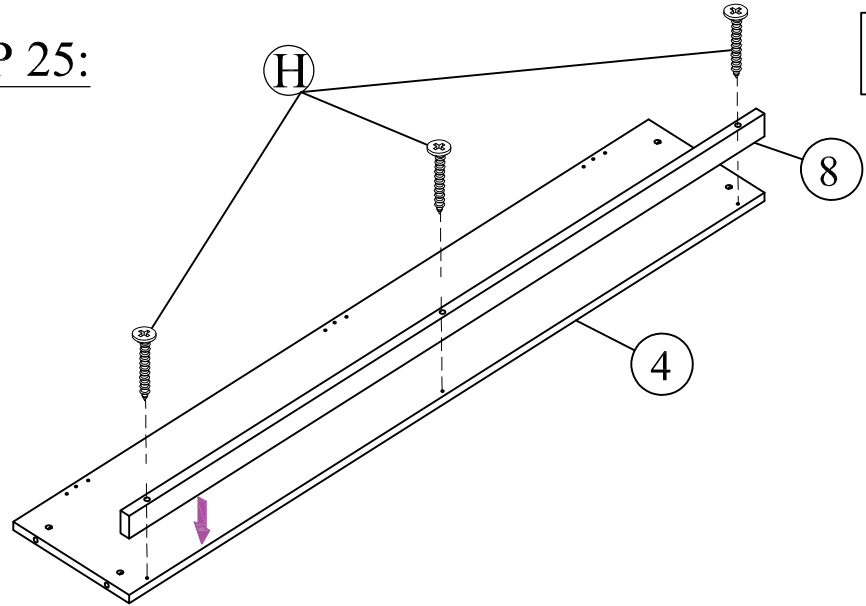
(H)		3pcs
-----	---	------

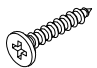
STEP 24:



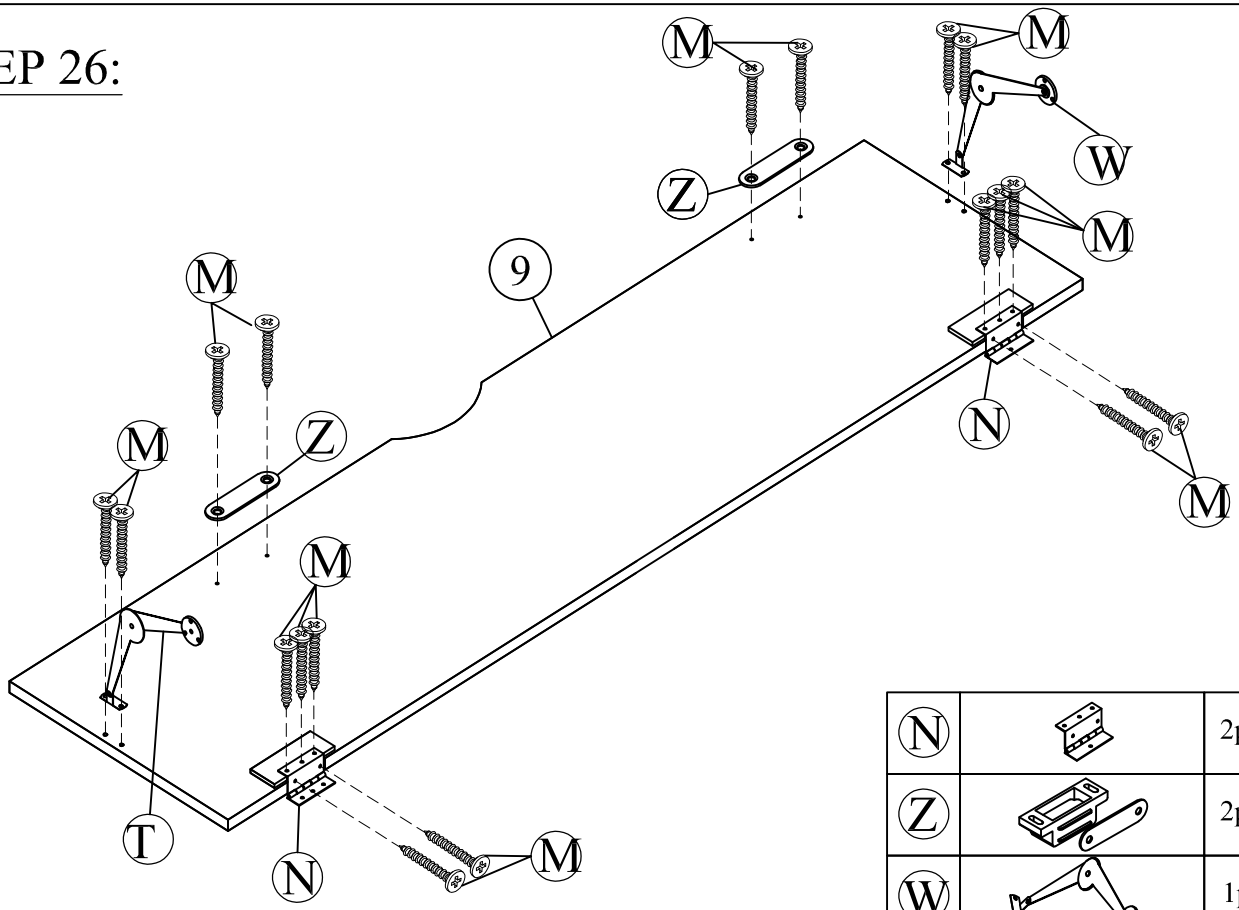
(H)		3pcs
(Y)		4pcs
(Z)		2pcs

STEP 25:



(H)		3pcs
-----	---	------

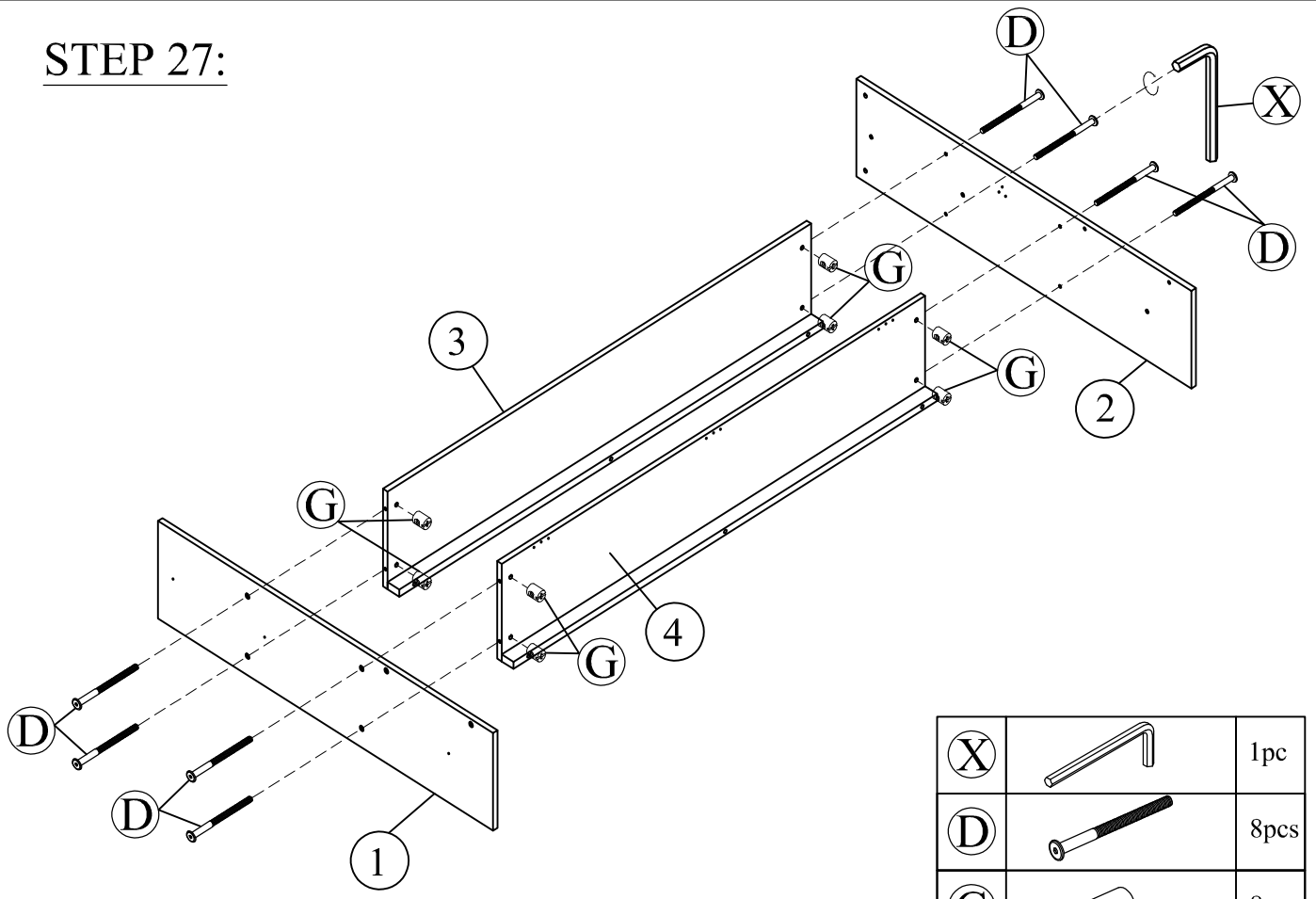
STEP 26:



(N)		2pcs
(Z)		2pcs
(W)		1pc
(M)		18pcs




(T)		1pc
-----	--	-----

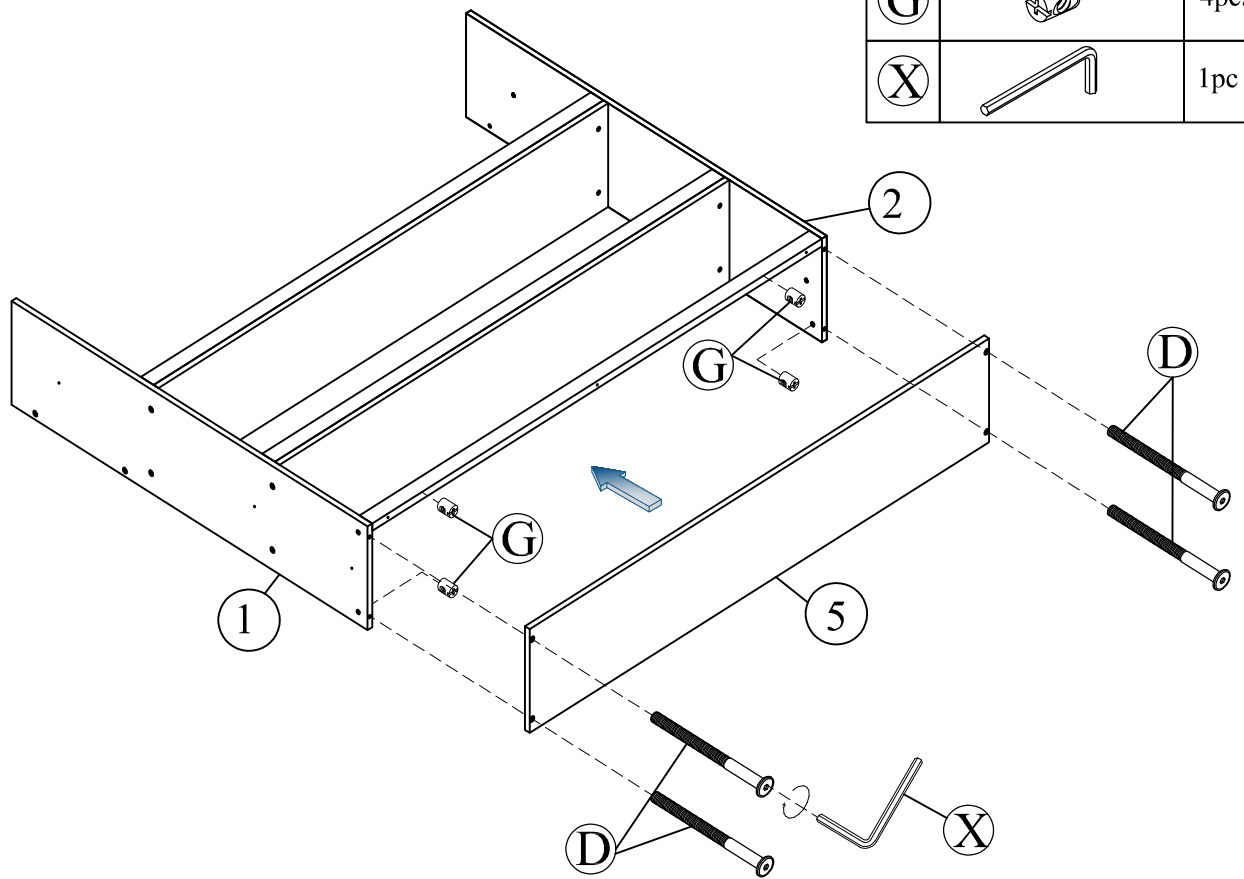
STEP 27:



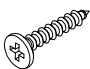
(X)		1pc
(D)		8pcs
(G)		8pcs

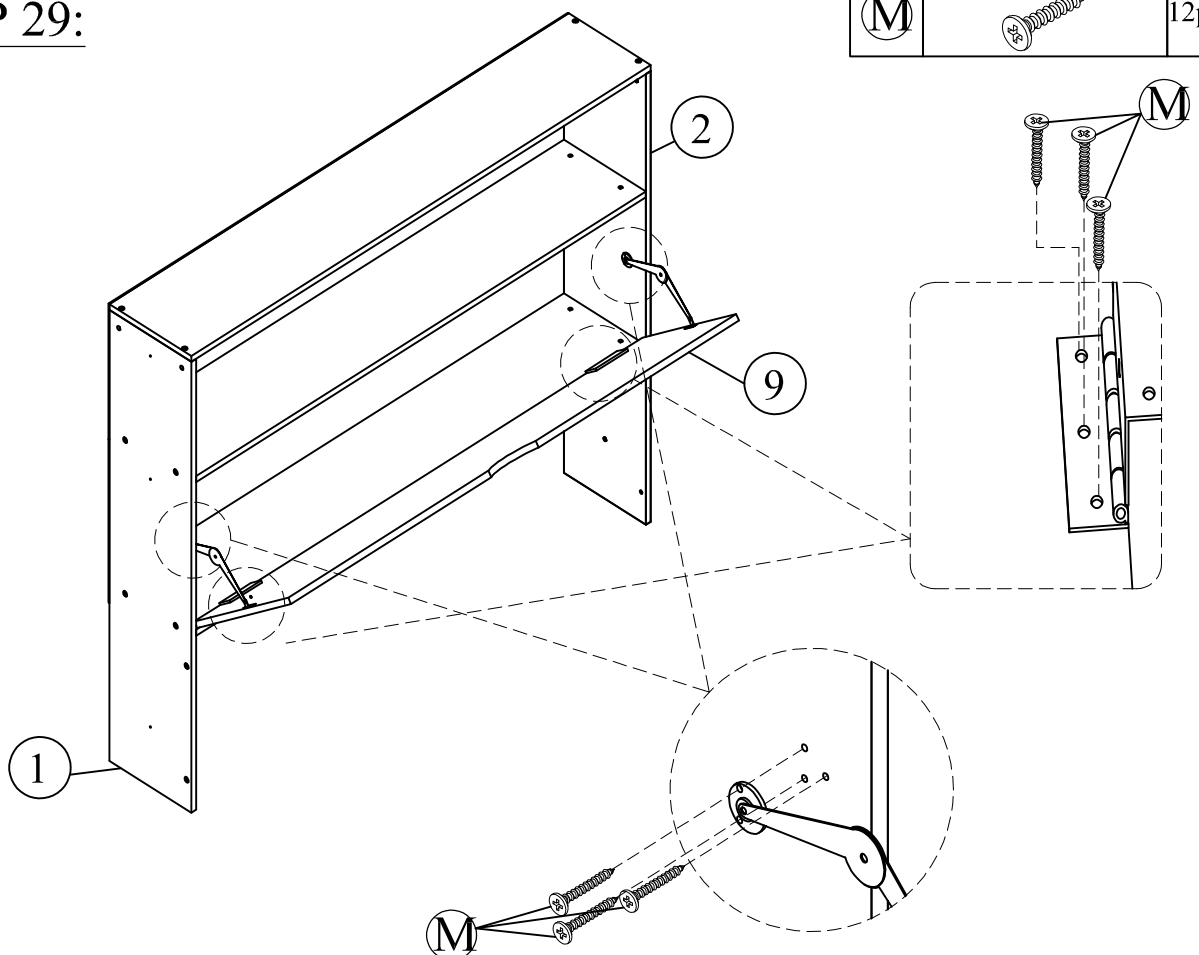
STEP 28:

(D)		4pcs
(G)		4pcs
(X)		1pc

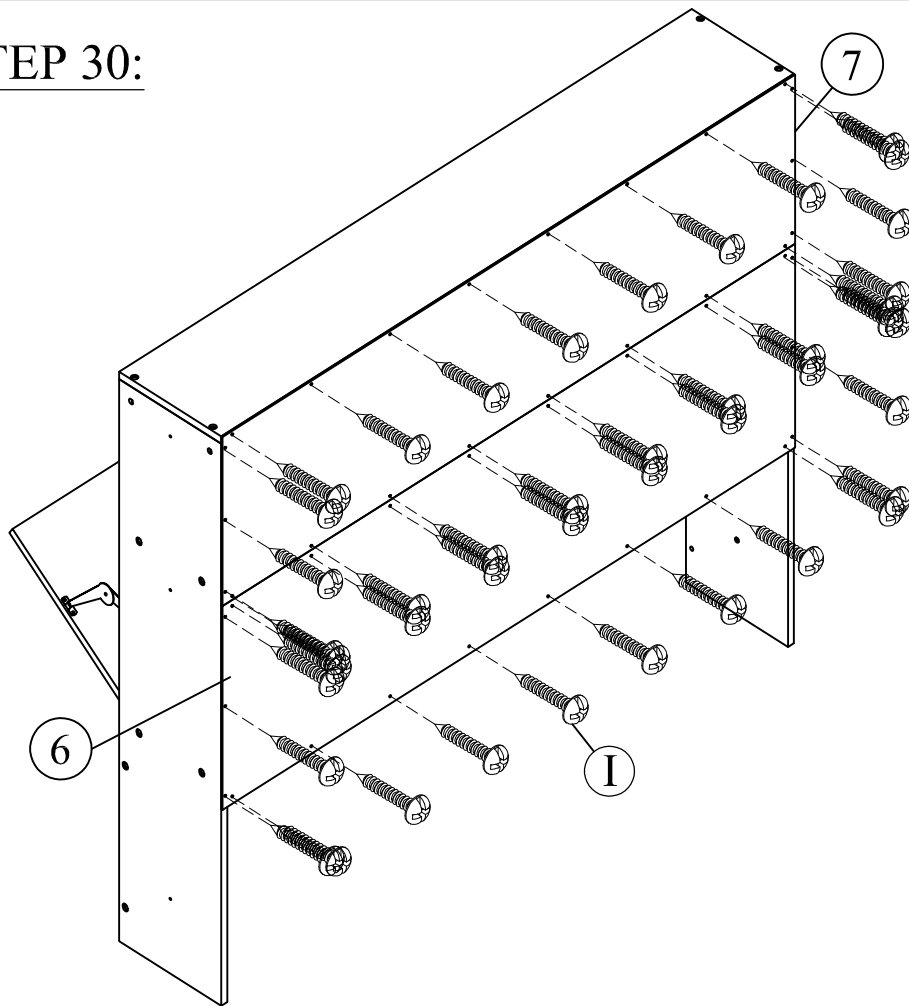



STEP 29:

(M)		12pcs
-----	---	-------

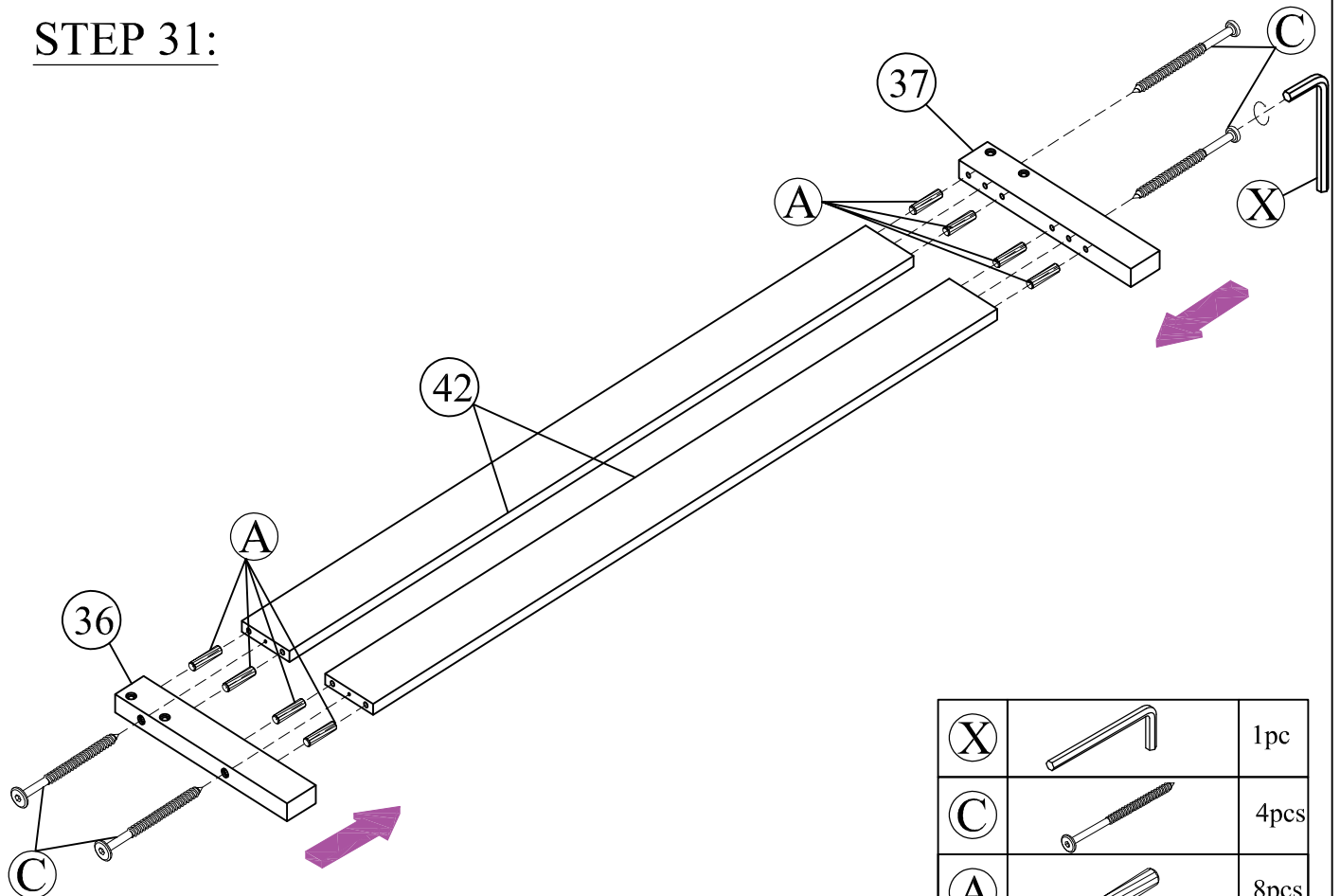




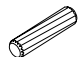
STEP 30:



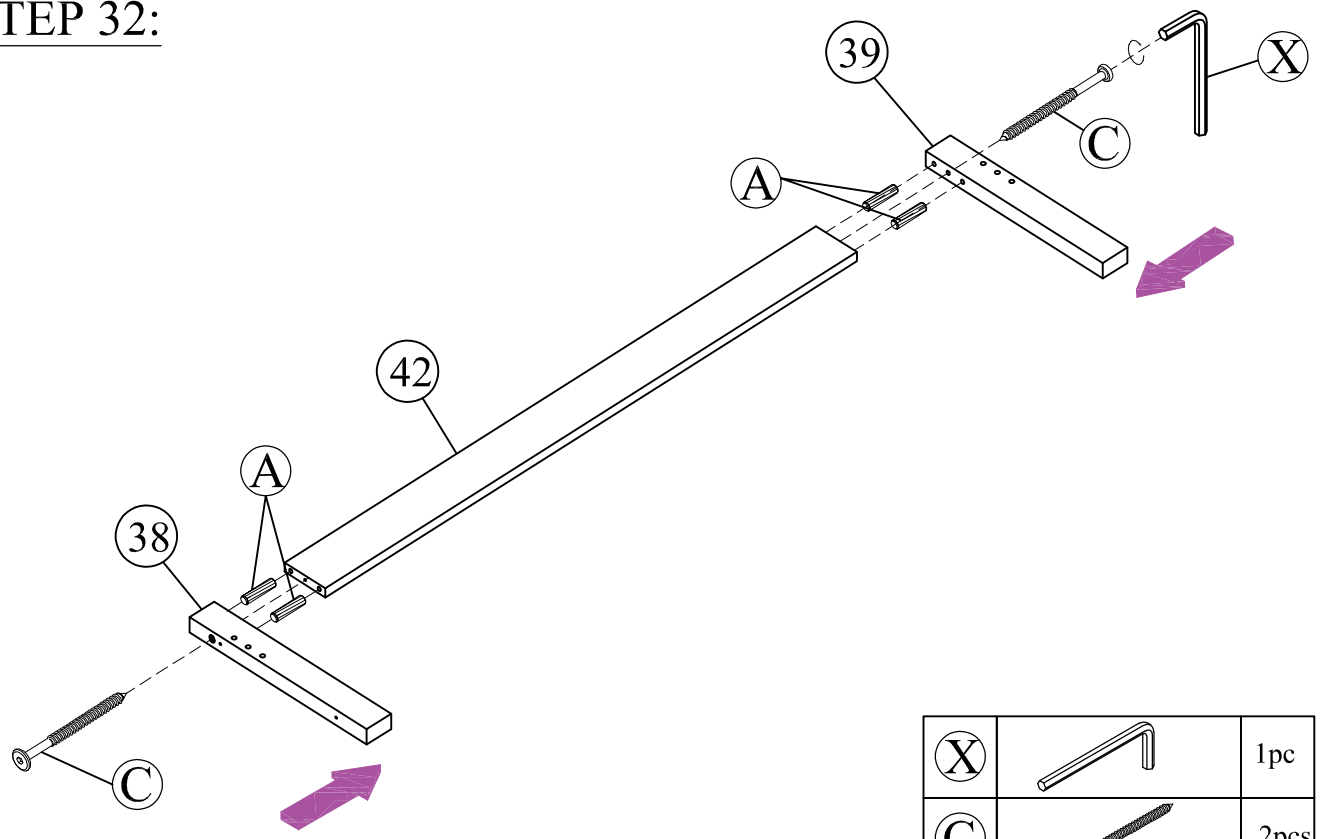
I		44pcs
---	---	-------

STEP 31:



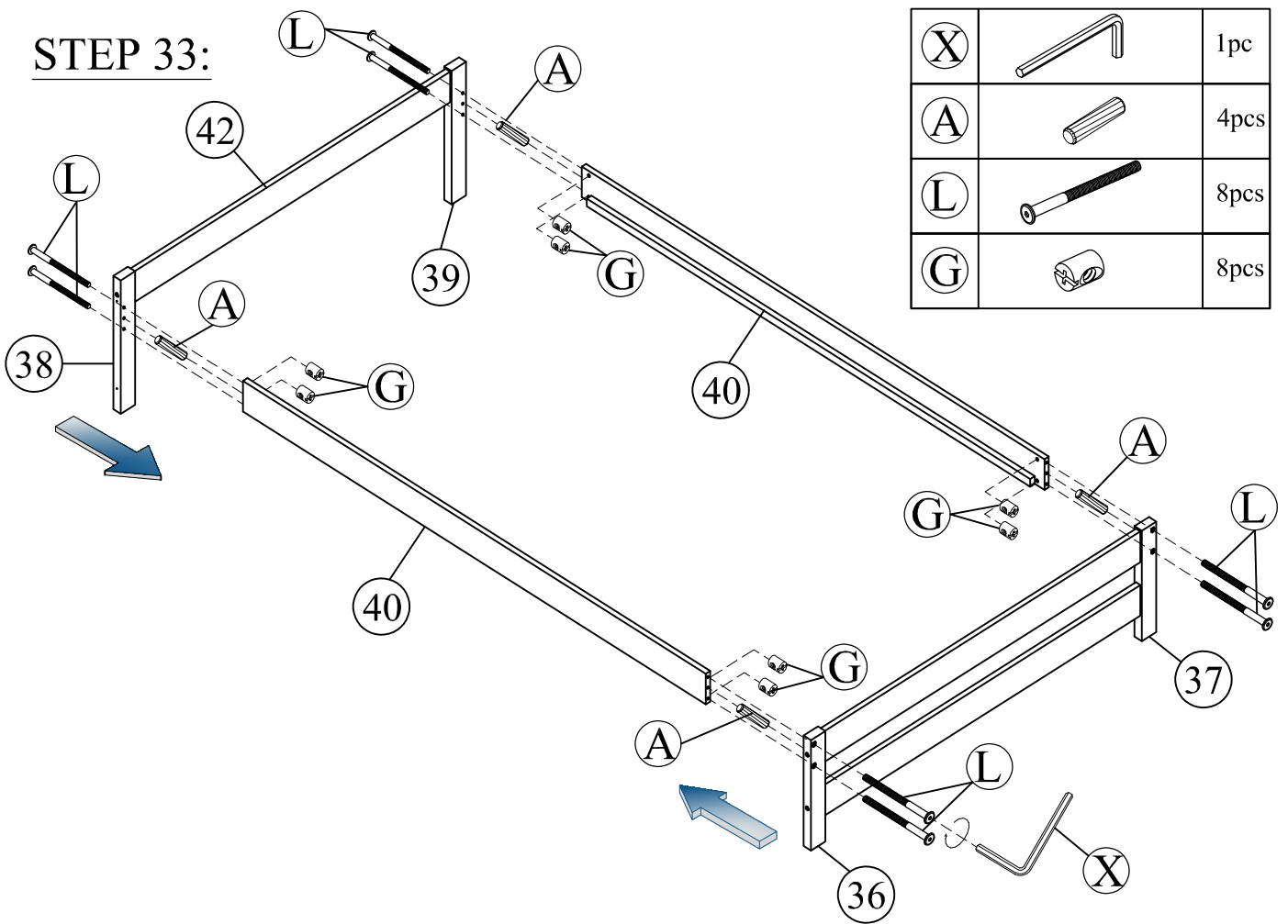
X		1pc
C		4pcs
A		8pcs

STEP 32:



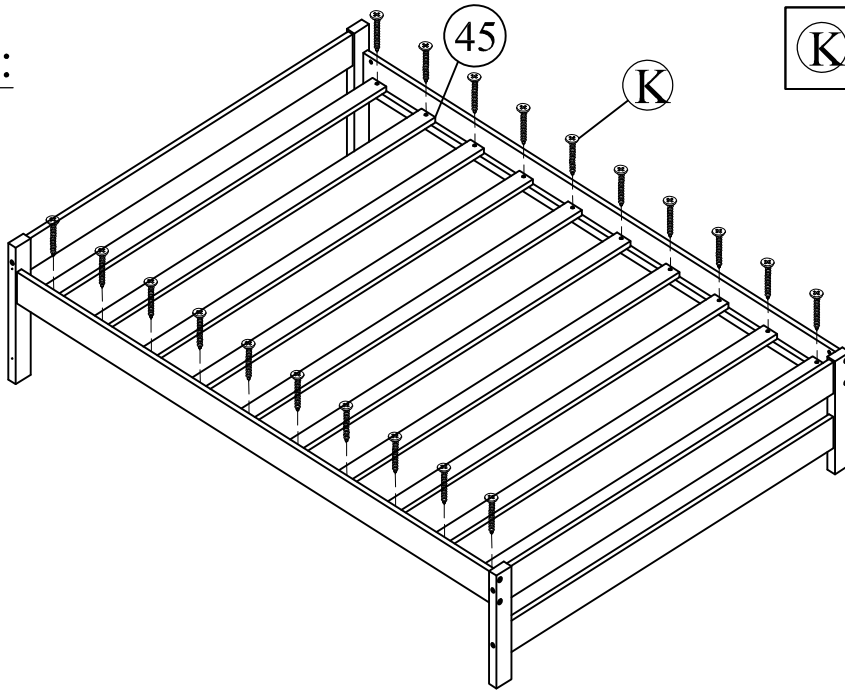
(X)		1pc
(C)		2pcs
(A)		4pcs


STEP 33:

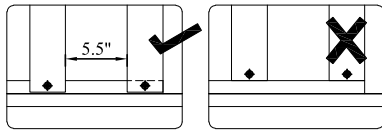


(X)		1pc
(A)		4pcs
(L)		8pcs
(G)		8pcs

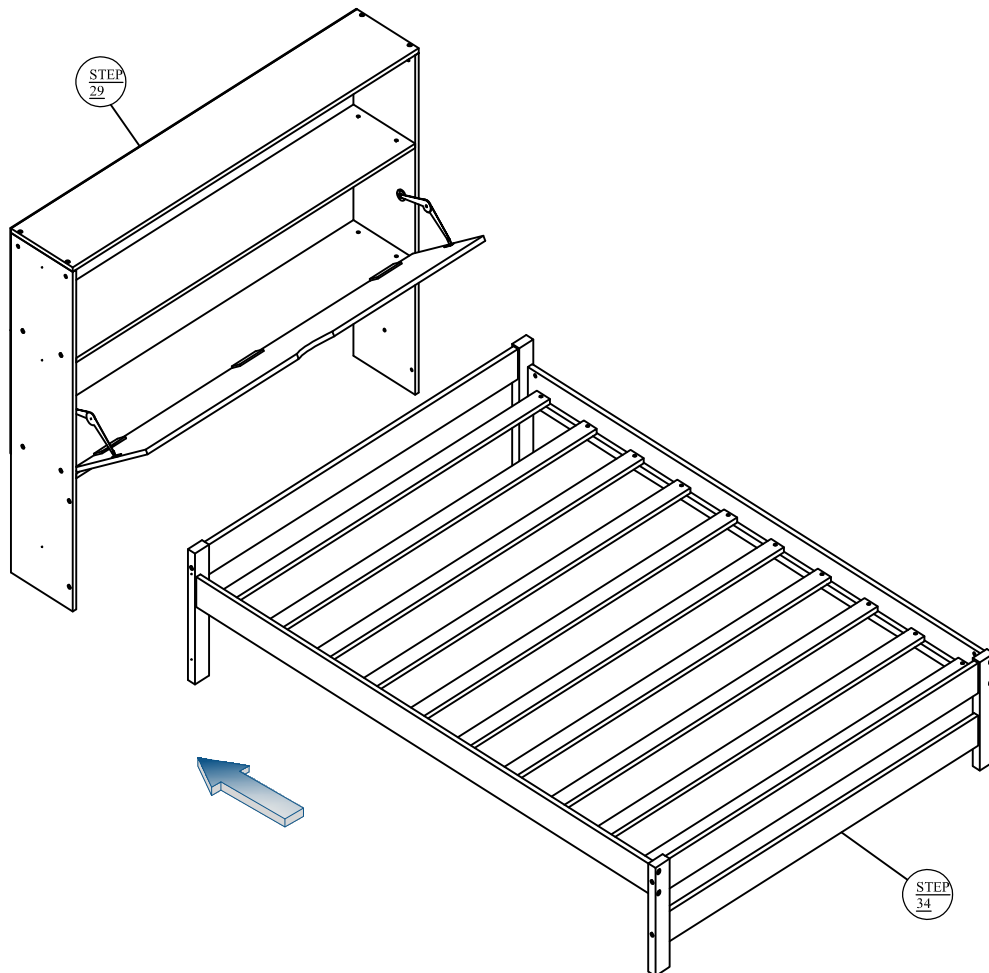
STEP 34:



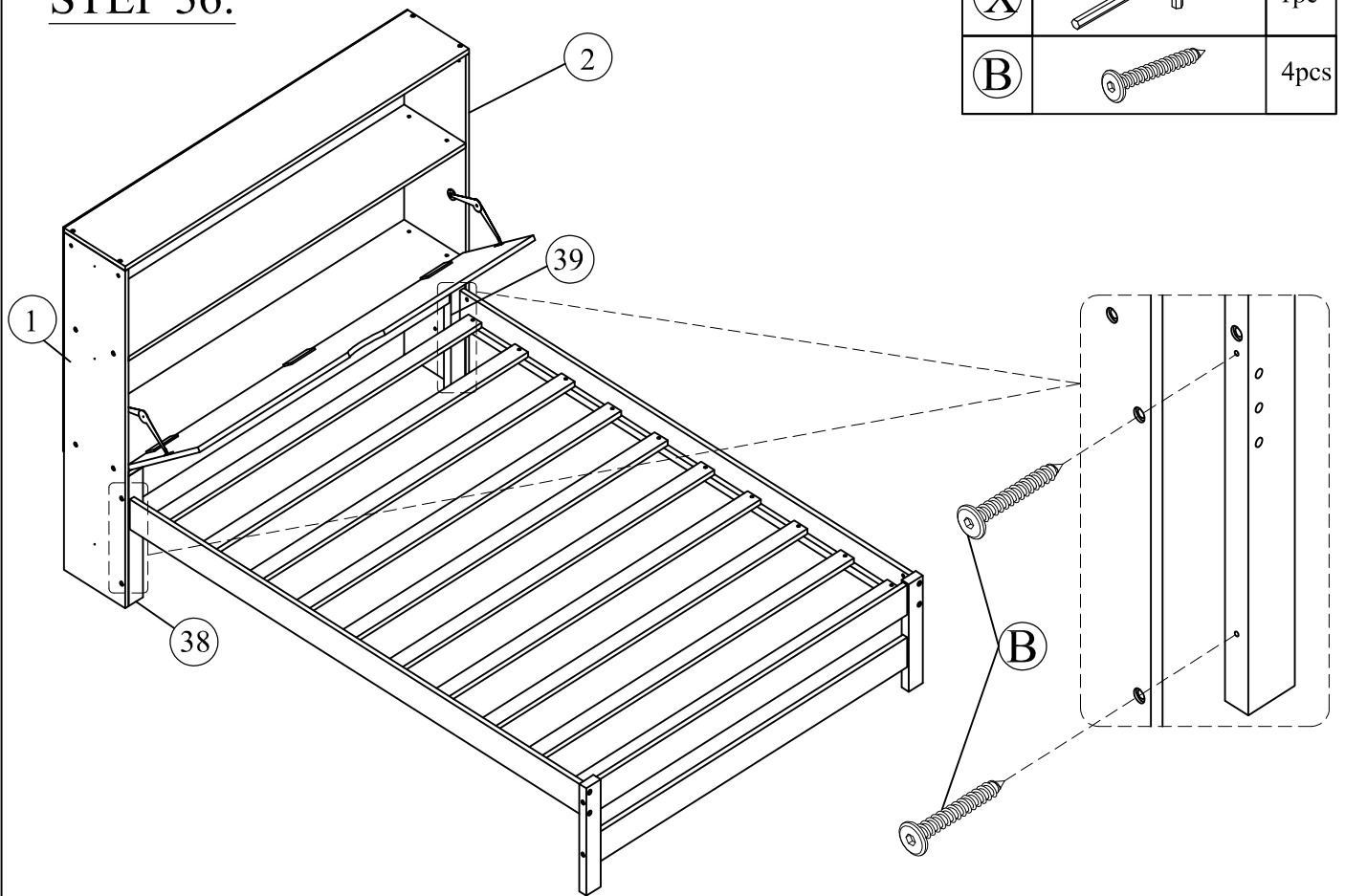
K		20pcs
---	---	-------



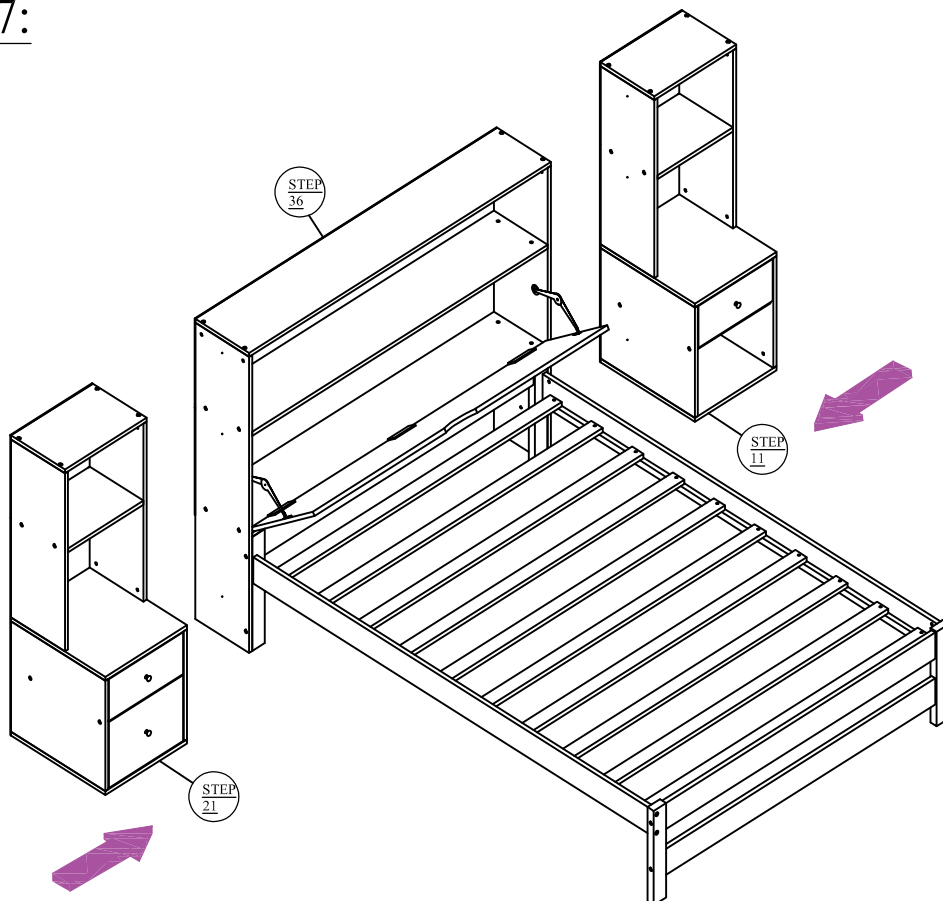
STEP 35:




STEP 36:

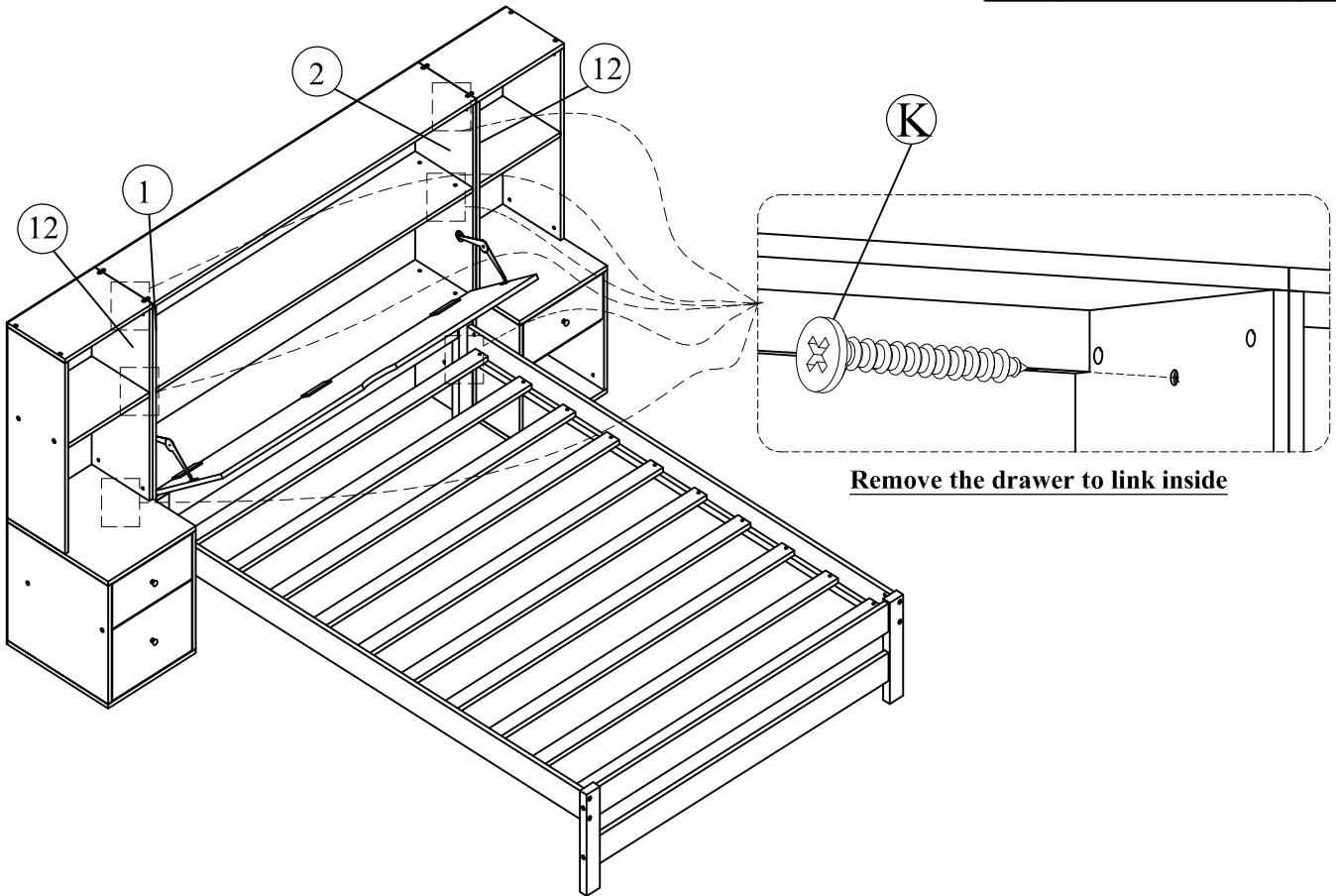


STEP 37:

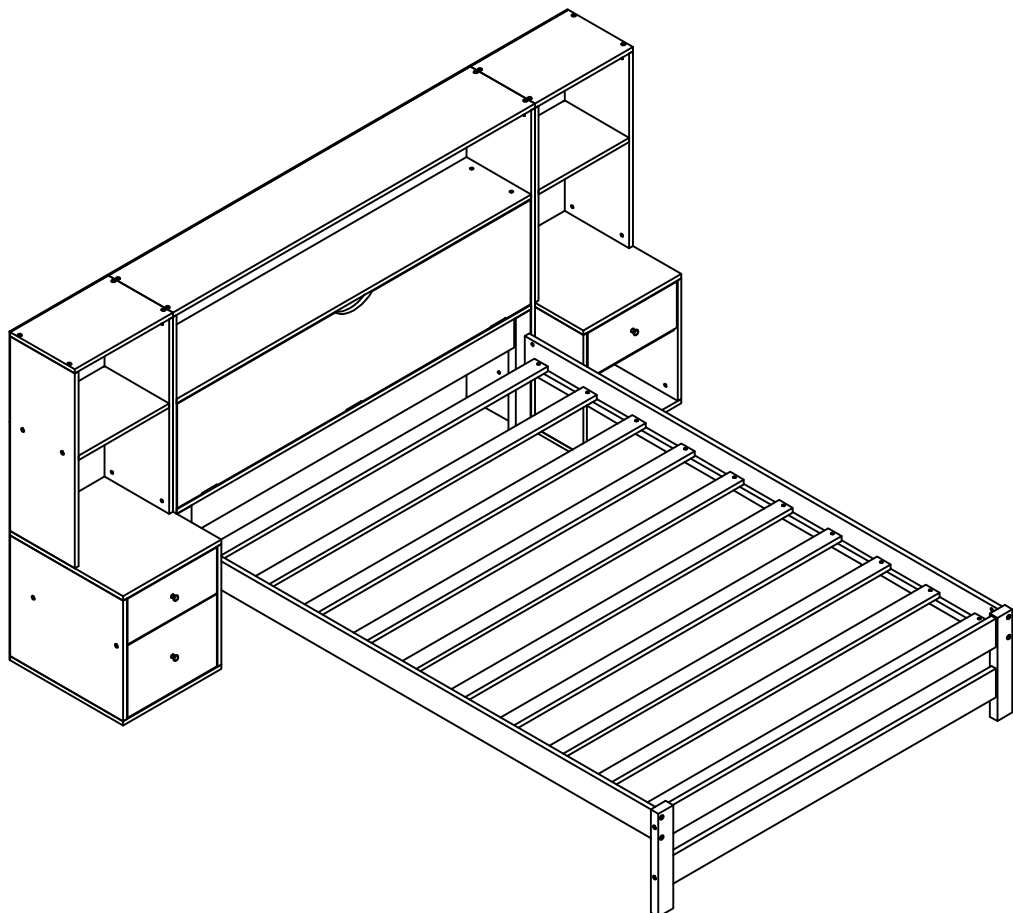


STEP 38:

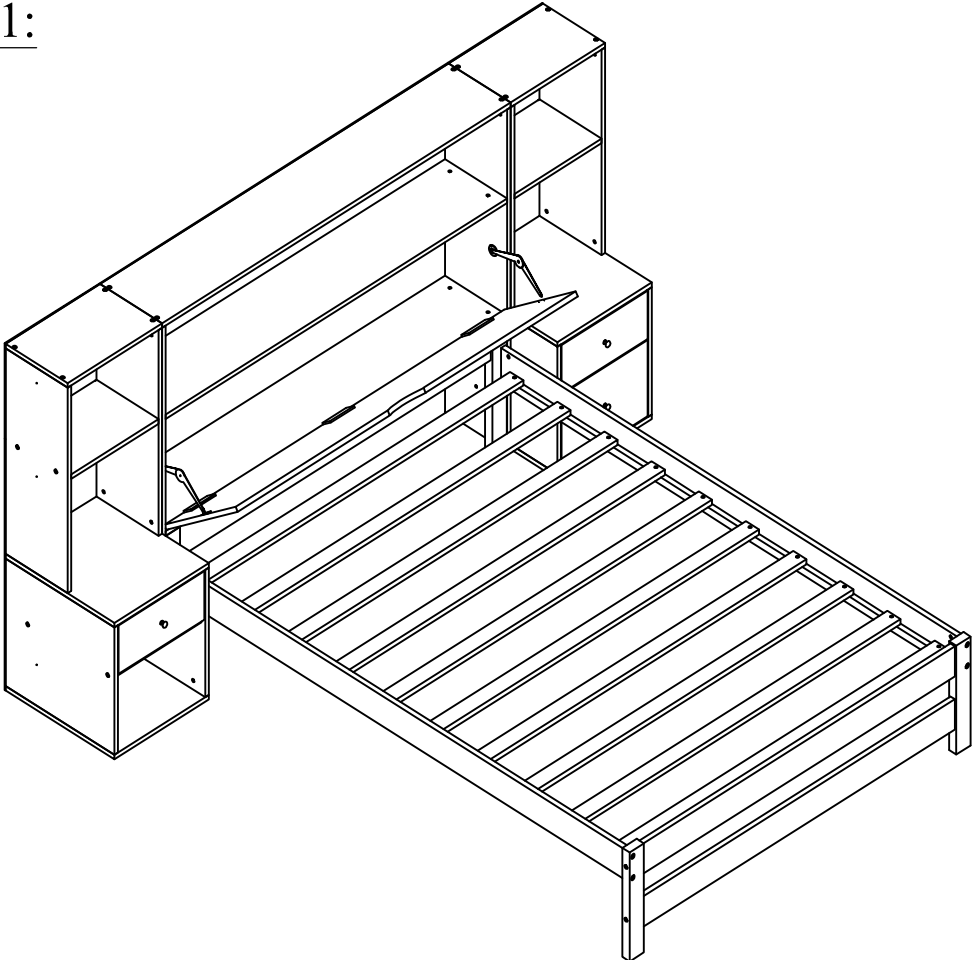
K		6pcs
---	---	------



STEP 39:



OPTION 1:



OPTION 2:

