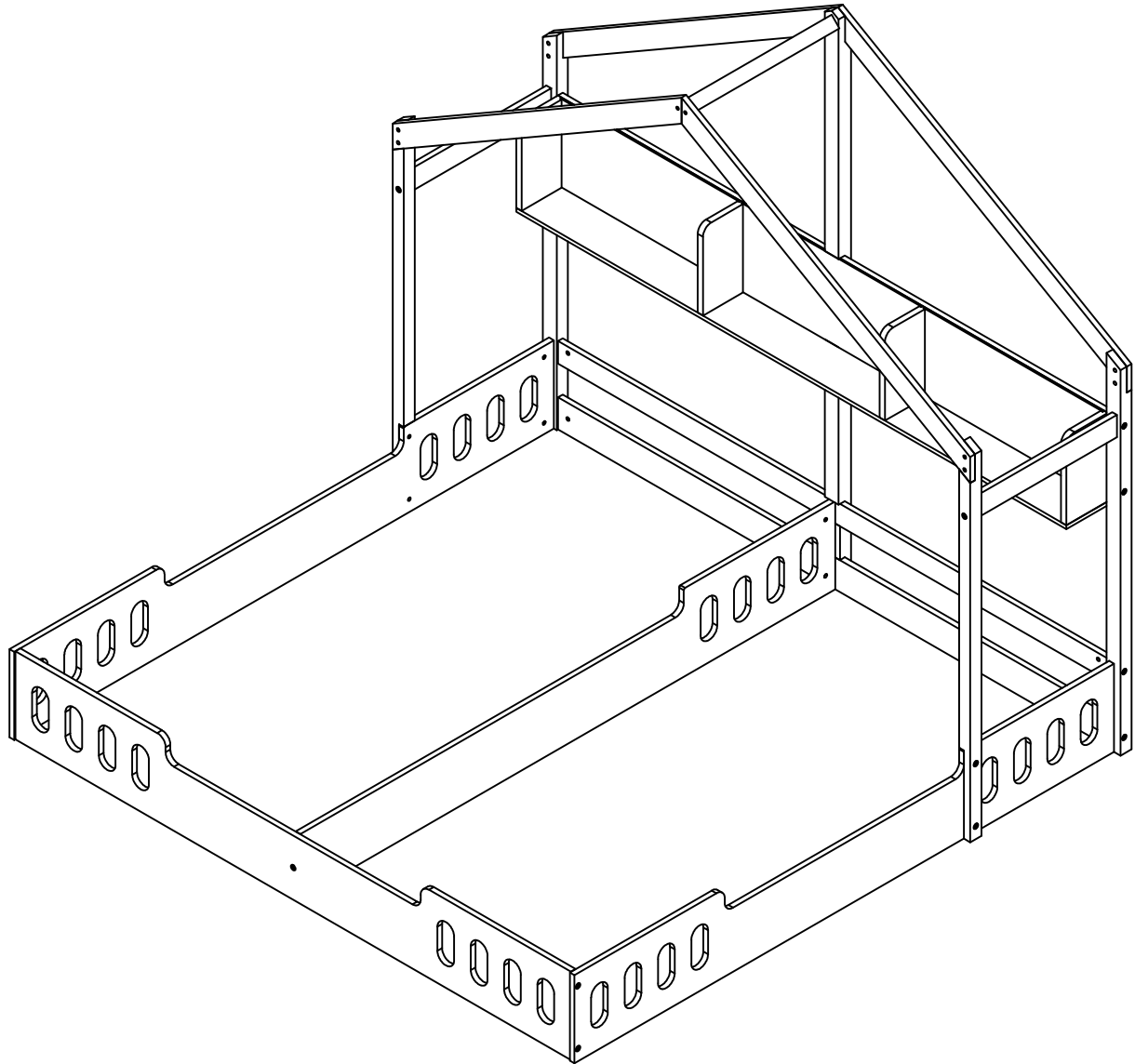
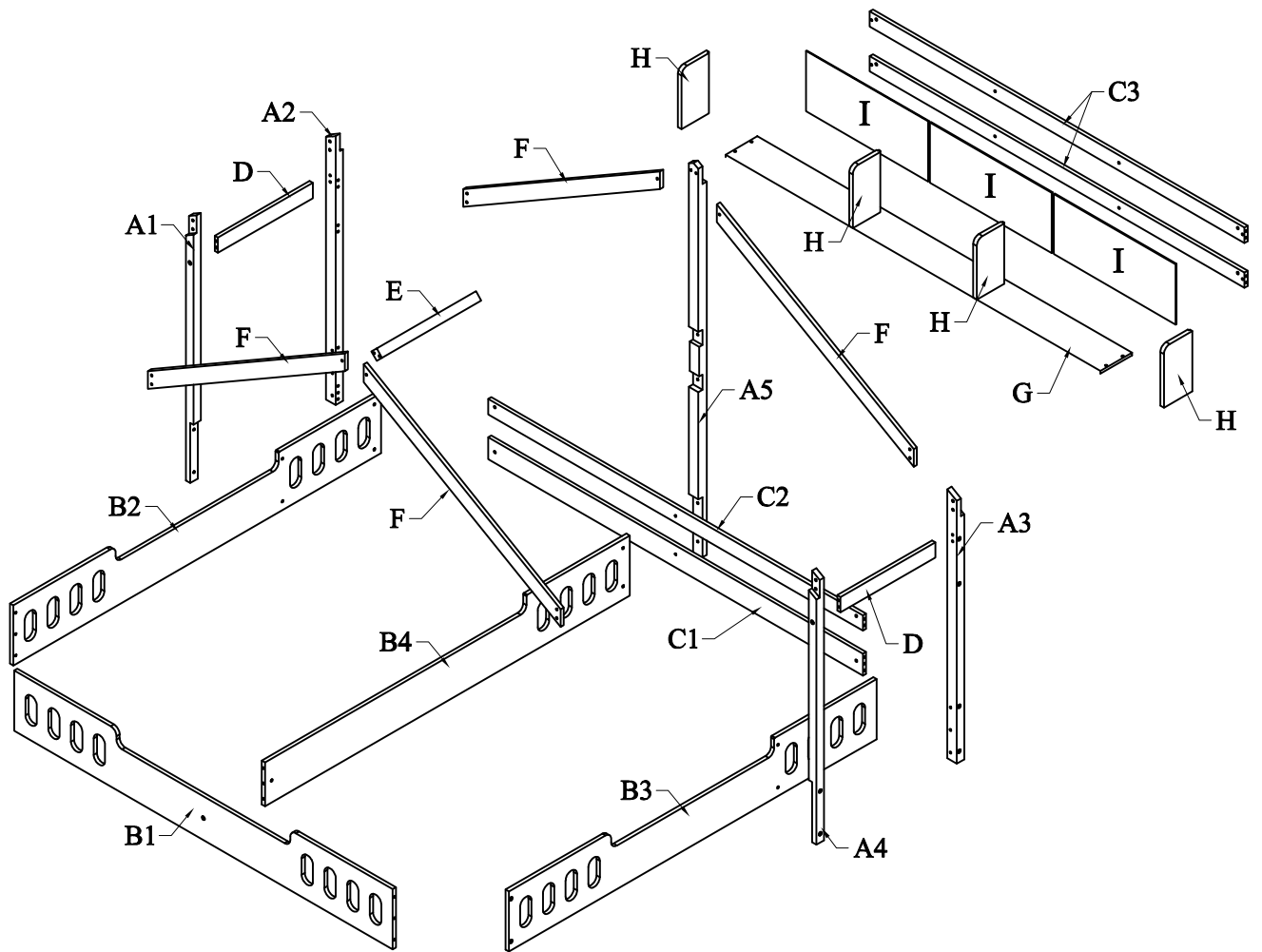


# ASSEMBLY INSTRUCTIONS






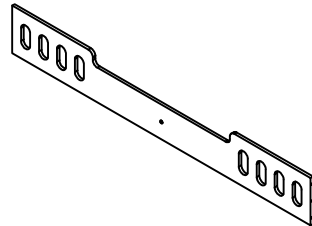
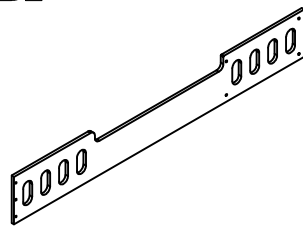
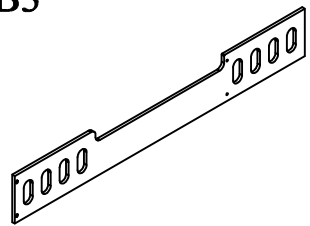
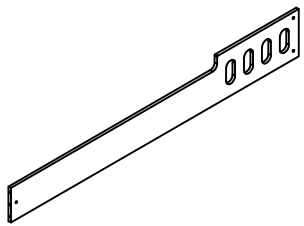
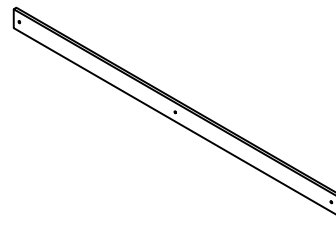
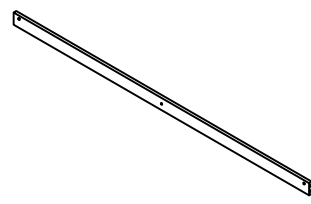
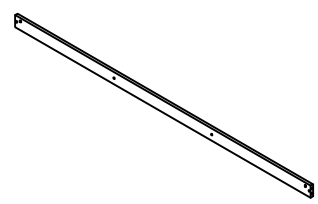
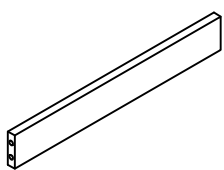
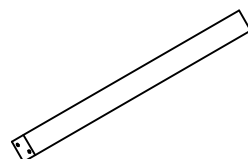
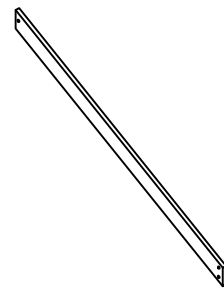
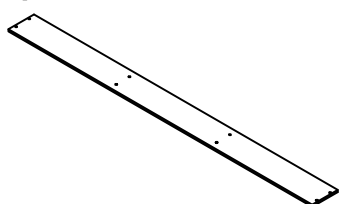
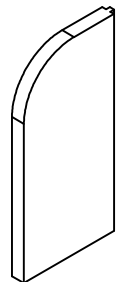
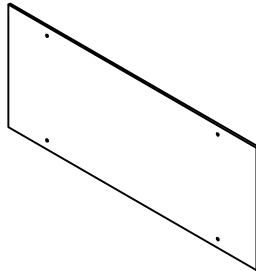
ITEM CODE: WF310564



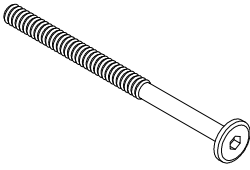
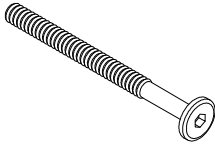
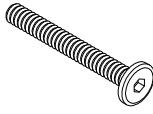
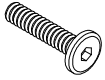
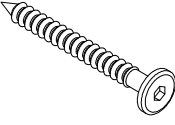
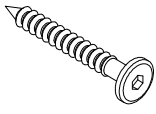
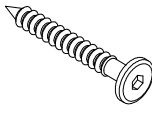
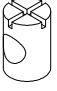
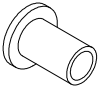
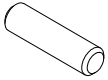
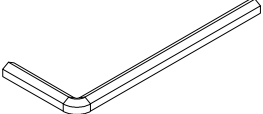
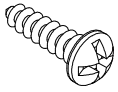
# DETAIL VIEW



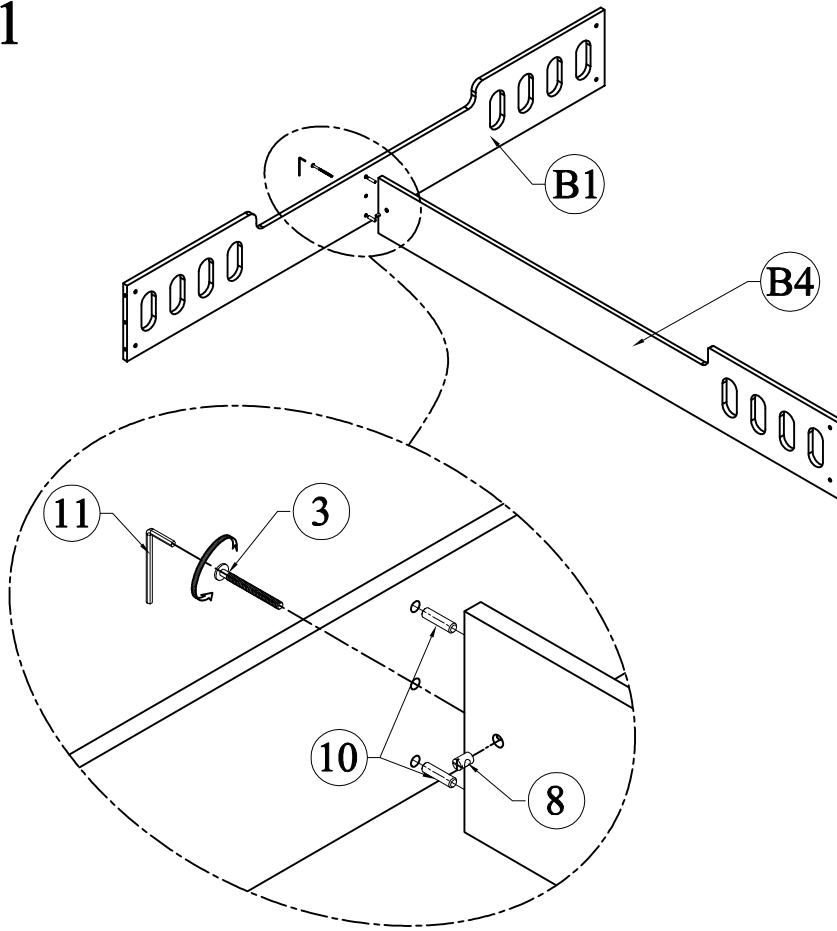
# BOX 1: WF310564

<p><b>A1</b></p>  <p>Front leg - left (1pc)</p>	<p><b>A2</b></p>  <p>Back leg - left (1pc)</p>	<p><b>A3</b></p>  <p>Back leg - right (1pc)</p>	<p><b>A4</b></p>  <p>Front leg - right (1pc)</p>
<p><b>A5</b></p>  <p>Back leg - middle (1pc)</p>	<p><b>B1</b></p>  <p>Frane rail - front (1pc)</p>	<p><b>B2</b></p>  <p>Frane rail - left (1pc)</p>	<p><b>B3</b></p>  <p>Frane rail - right (1pc)</p>
<p><b>B4</b></p>  <p>Frane rail - middle (1pc)</p>	<p><b>C1</b></p>  <p>Back rail - bottom (1pcs)</p>	<p><b>C2</b></p>  <p>Back rail - middle (1pcs)</p>	<p><b>C3</b></p>  <p>Back rail - top (2pcs)</p>
<p><b>D</b></p>  <p>Horizontal rail (2pcs)</p>	<p><b>E</b></p>  <p>Top rail (1pc)</p>	<p><b>F</b></p>  <p>Roof slant bar (4pcs)</p>	<p><b>G</b></p>  <p>Bottom Panel - shefl (1pc)</p>
<p><b>H</b></p>  <p>Side panel (4pcs)</p>	<p><b>I</b></p>  <p>Back panel (3pcs)</p>		

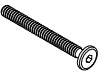
# HARDWARE LIST: WF310564

<p style="text-align: center;"><b>1</b></p>  <p style="text-align: center;"><b>Hex - Head bolts</b> Ø1/4" * 100- 8pcs</p>	<p style="text-align: center;"><b>2</b></p>  <p style="text-align: center;"><b>Hex - Head bolts</b> Ø1/4" * 90- 10pcs</p>	<p style="text-align: center;"><b>3</b></p>  <p style="text-align: center;"><b>Hex - Head bolts</b> Ø1/4" * 60- 5pcs</p>	<p style="text-align: center;"><b>4</b></p>  <p style="text-align: center;"><b>Hex - Head bolts</b> Ø1/4" * 30- 14pcs</p>
<p style="text-align: center;"><b>5</b></p>  <p style="text-align: center;"><b>Hexagonal bolts catch wood</b> Ø1/4" * 70 - 2pcs</p>	<p style="text-align: center;"><b>6</b></p>  <p style="text-align: center;"><b>Hexagonal bolts catch wood</b> Ø1/4" * 50 - 10pcs</p>	<p style="text-align: center;"><b>7</b></p>  <p style="text-align: center;"><b>Hexagonal bolts catch wood</b> Ø1/4" * 40 - 8pcs</p>	<p style="text-align: center;"><b>8</b></p>  <p style="text-align: center;"><b>Horizontal - Hold bolts</b> Ø1/4" - 23pcs</p>
<p style="text-align: center;"><b>9</b></p>  <p style="text-align: center;"><b>Canopy head though</b> Ø1/4" - 12pcs</p>	<p style="text-align: center;"><b>10</b></p>  <p style="text-align: center;"><b>Wood dowel</b> Ø8 * 30 - 20pcs</p>	<p style="text-align: center;"><b>11</b></p>  <p style="text-align: center;"><b>Allen key</b> K4 - 2pcs</p>	<p style="text-align: center;"><b>12</b></p>  <p style="text-align: center;"><b>Round wood crews</b> 3,5*15 - 12pcs</p>

# STEP 1



3



Hex - Head bolts  
Ø1/4" \* 60- 1pcs

8



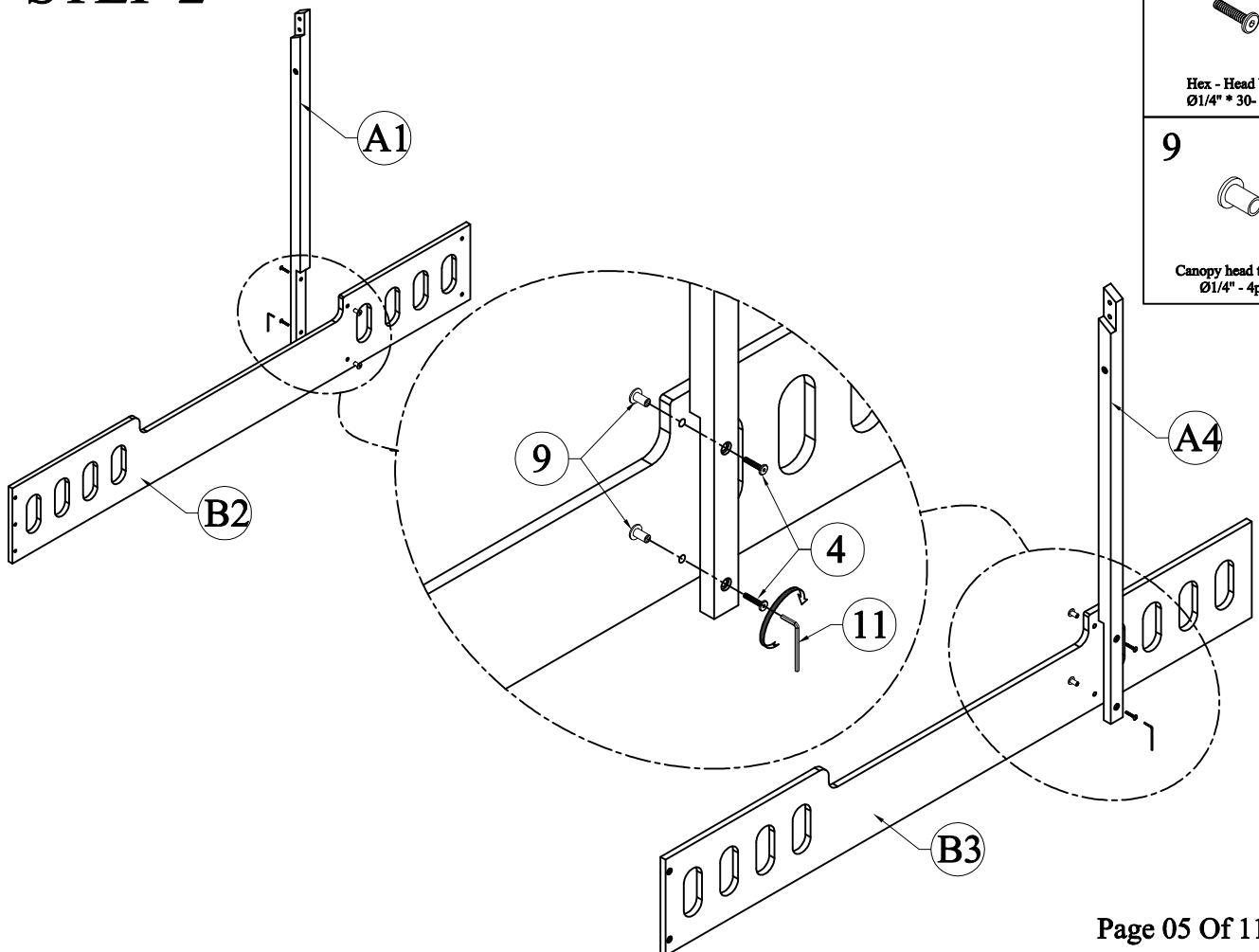
Horizontal - Hold bolts  
Ø1/4" - 1pcs

10



Wood dowel  
Ø8 \* 30 - 2pcs

# STEP 2



4



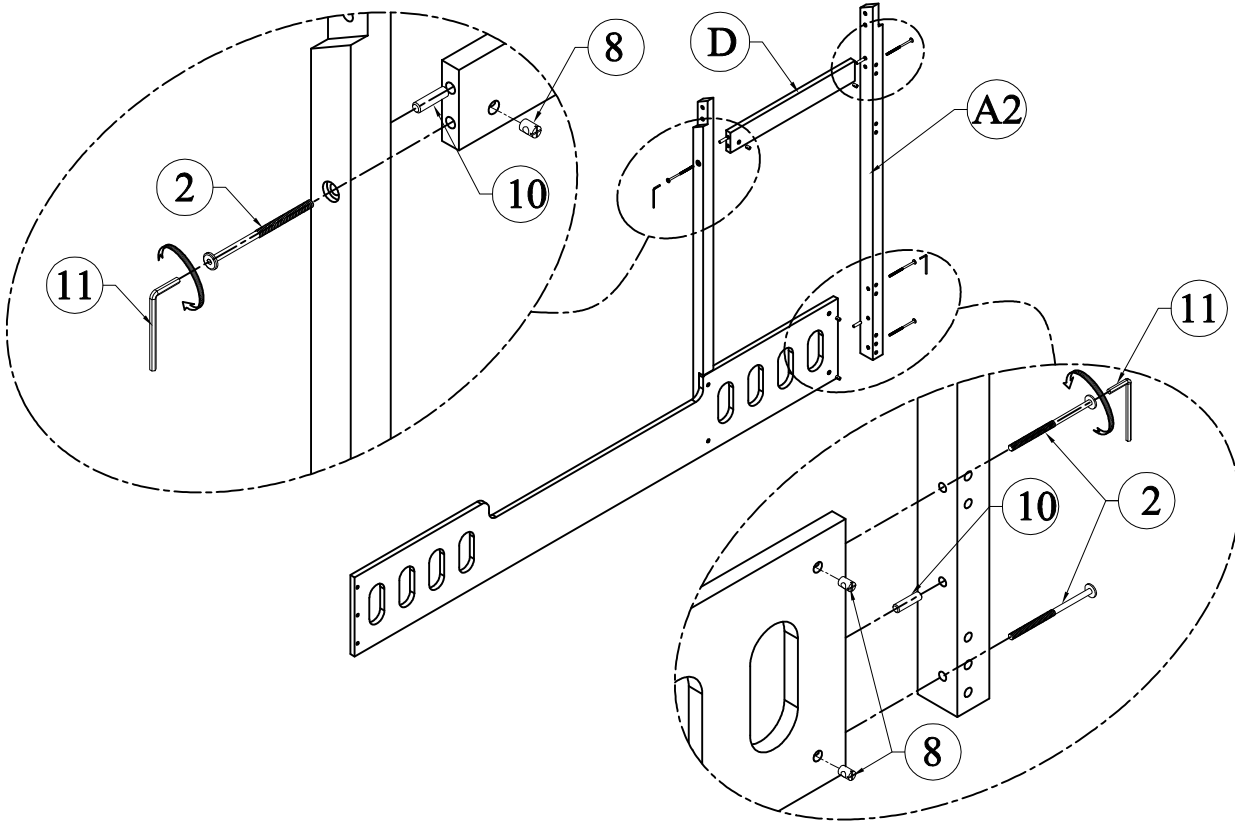
Hex - Head bolts  
Ø1/4" \* 30- 4pcs

9

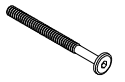


Canopy head through  
Ø1/4" - 4pcs

# STEP 3



2



Hex - Head bolts  
Ø1/4" \* 90- 4pcs

8



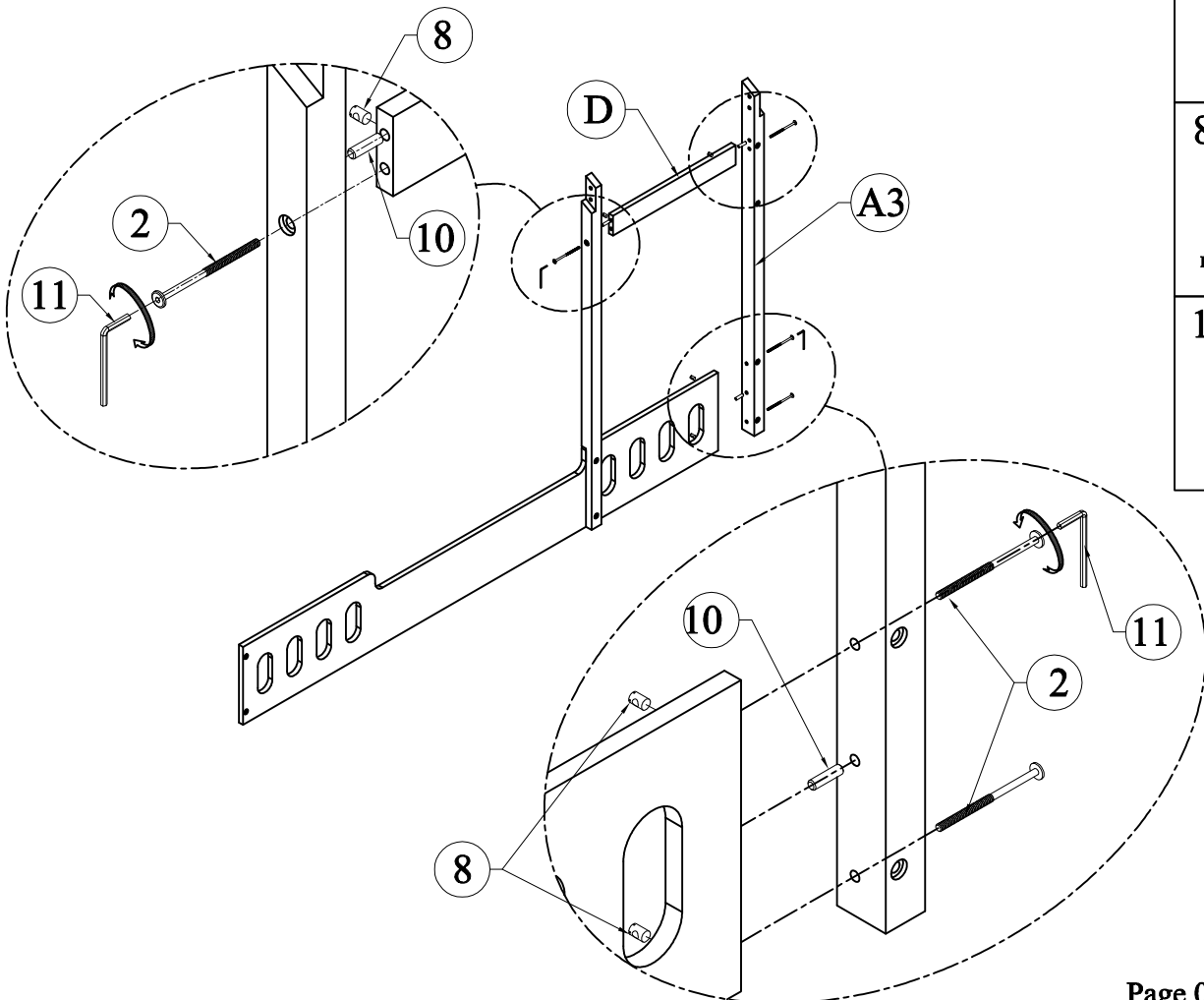
Horizontal - Hold bolts  
Ø1/4" - 4pcs

10

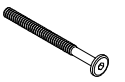


Wood dowel  
Ø8 \* 30 - 3pcs

# STEP 4



2



Hex - Head bolts  
Ø1/4" \* 90- 4pcs

8



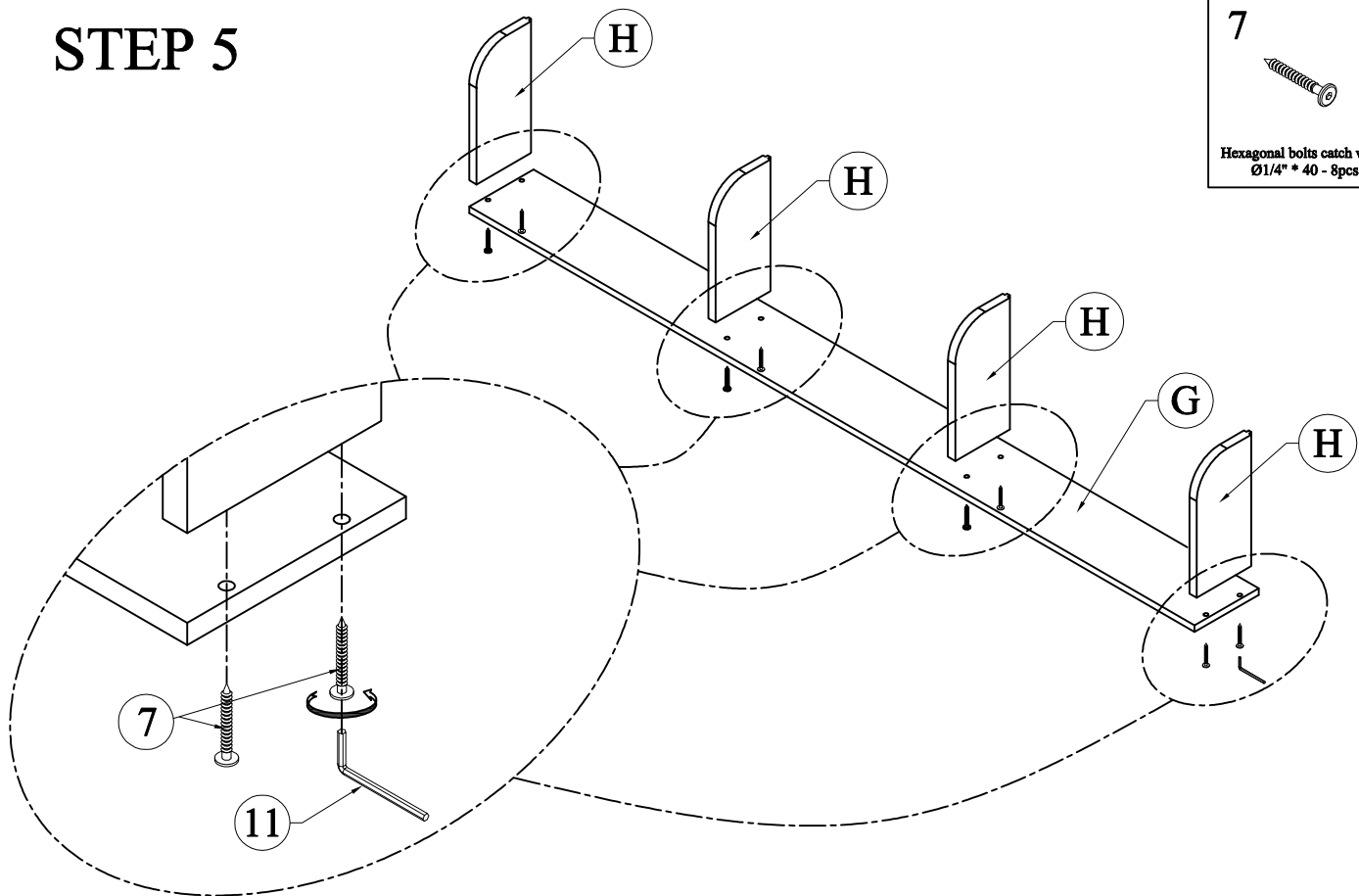
Horizontal - Hold bolts  
Ø1/4" - 4pcs

10



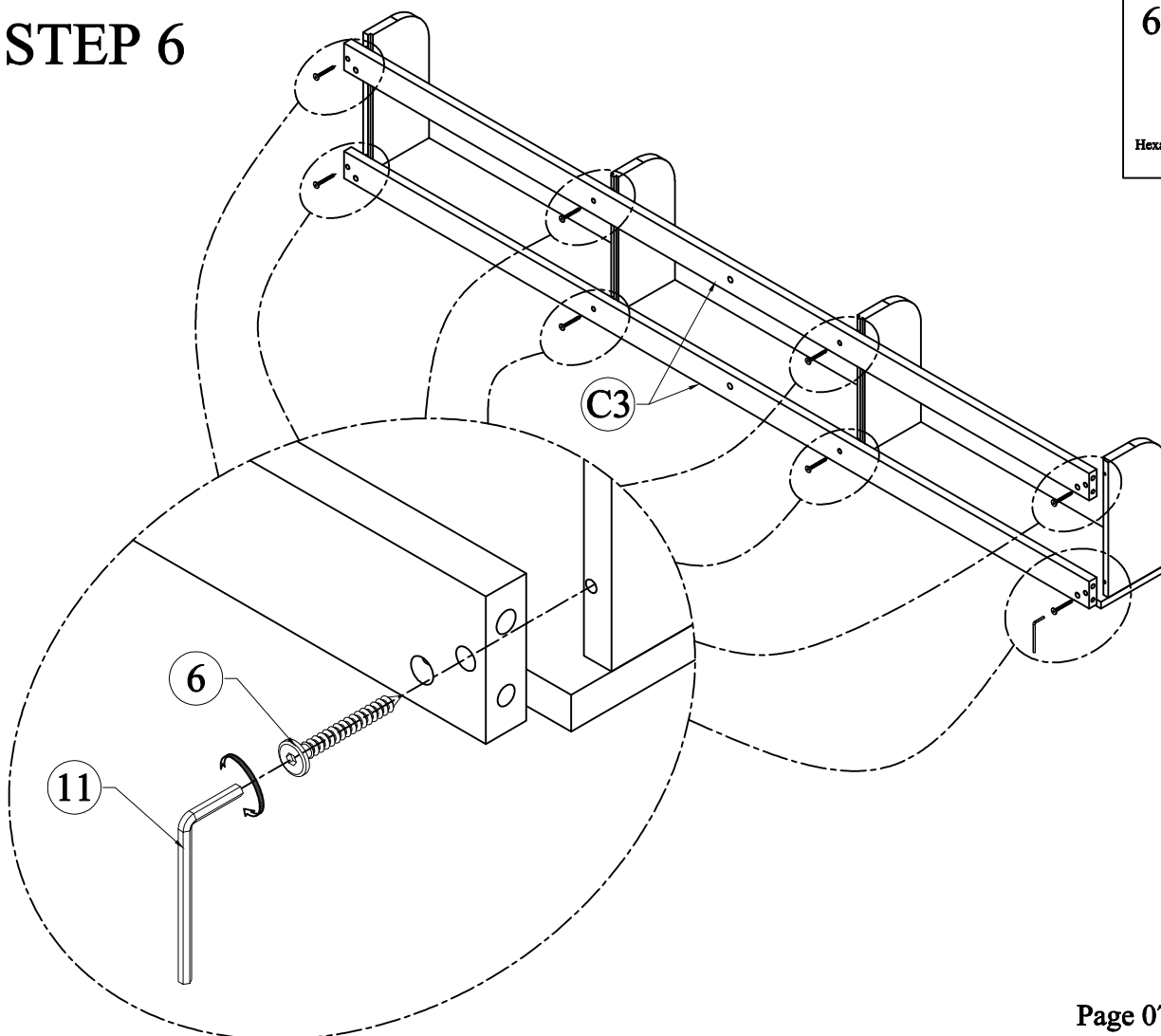
Wood dowel  
Ø8 \* 30 - 3pcs

# STEP 5



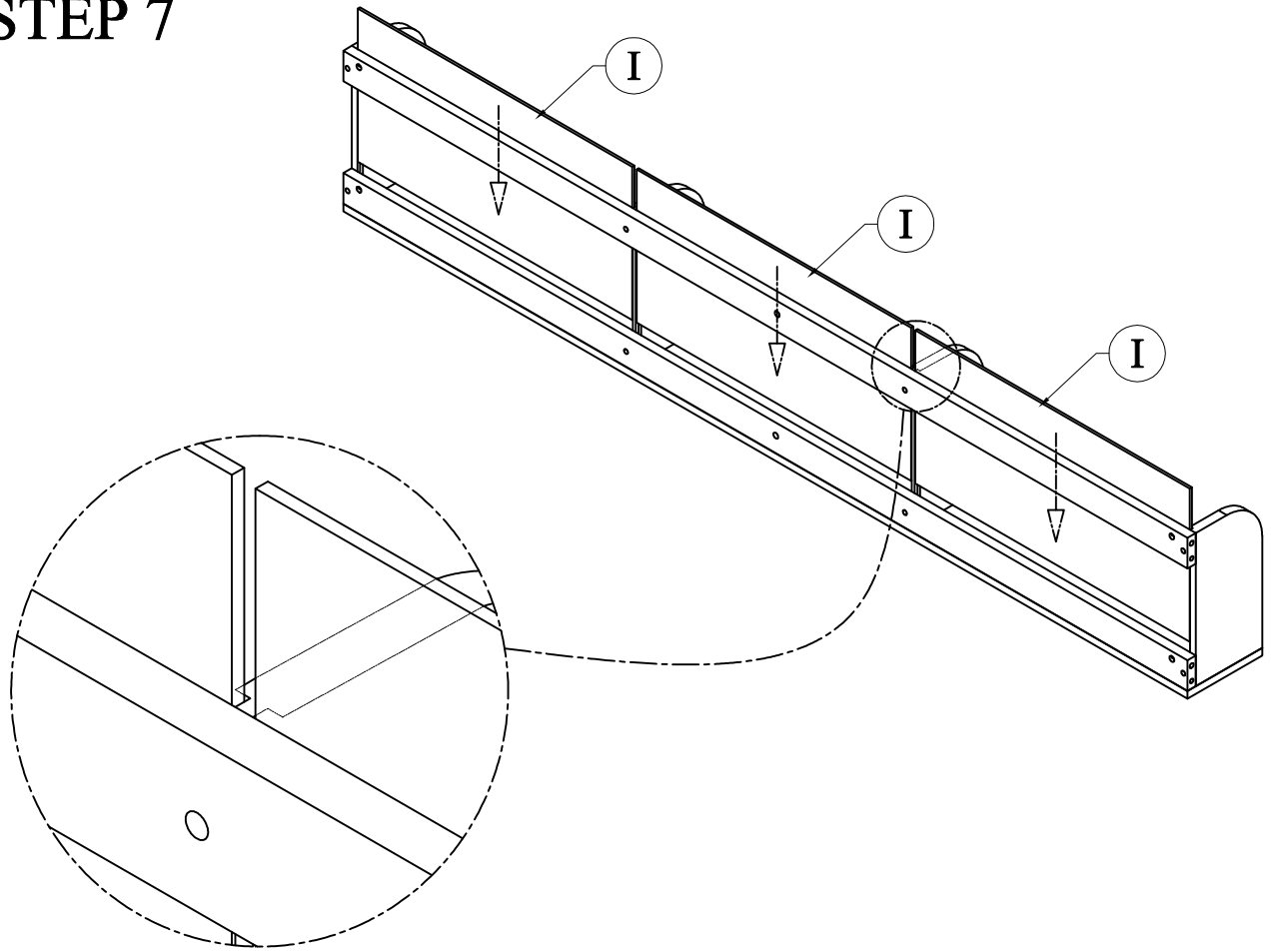
7  
Hexagonal bolts catch wood  
Ø1/4" \* 40 - 8pcs

# STEP 6

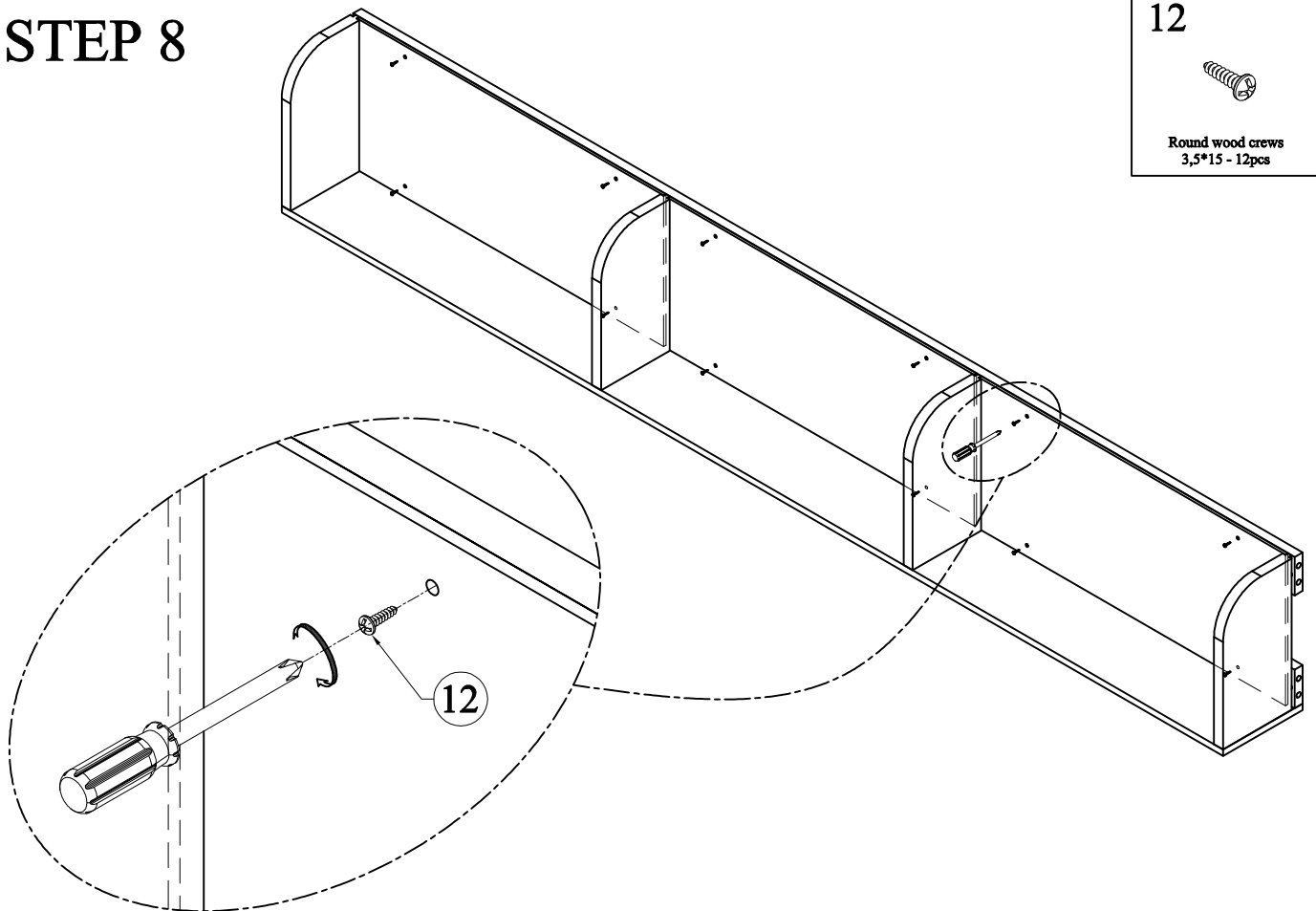


6  
Hexagonal bolts catch wood  
Ø1/4" \* 50 - 8pcs

# STEP 7



# STEP 8



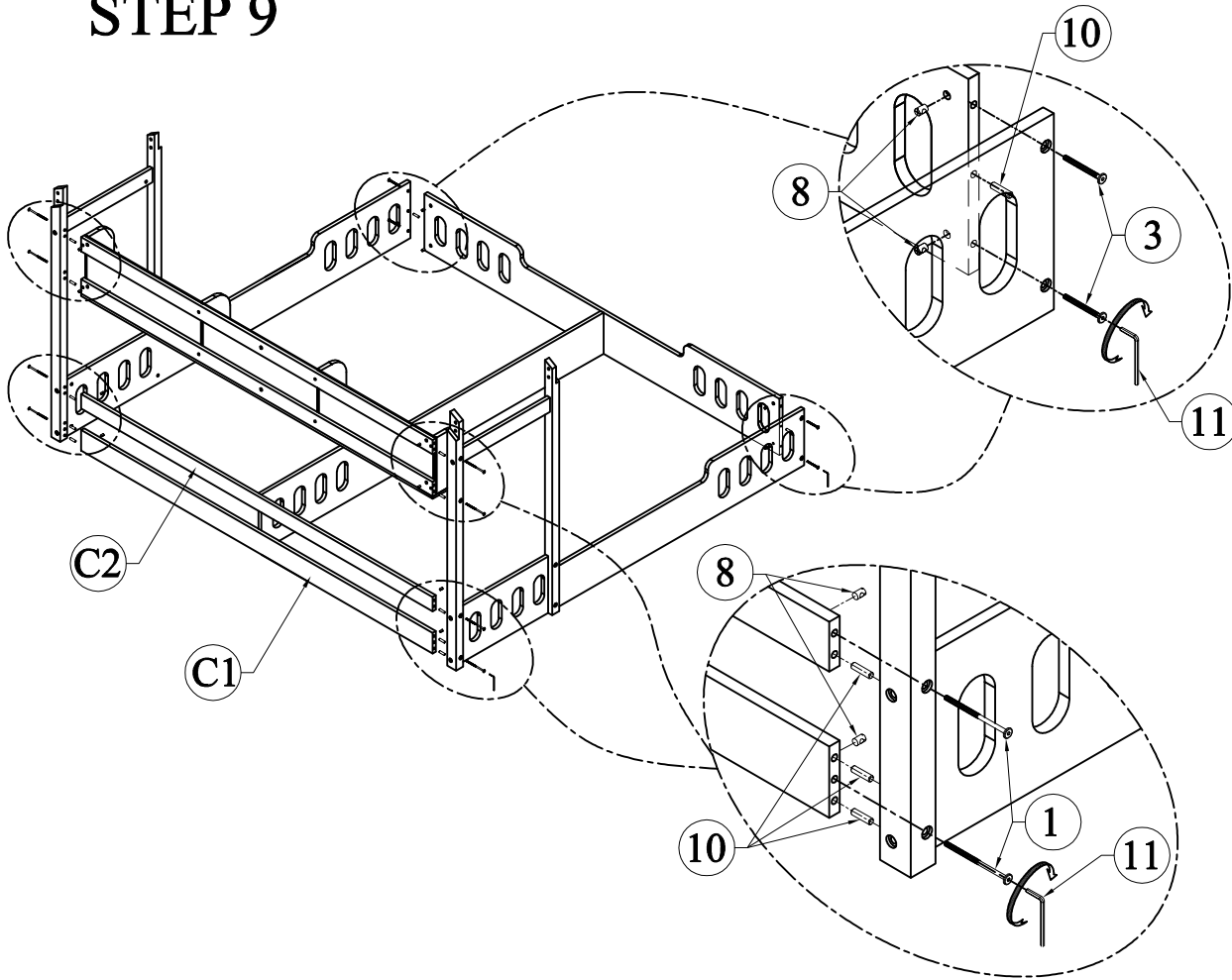
12

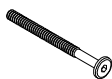
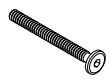

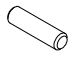


Round wood crews  
3,5\*15 - 12pcs

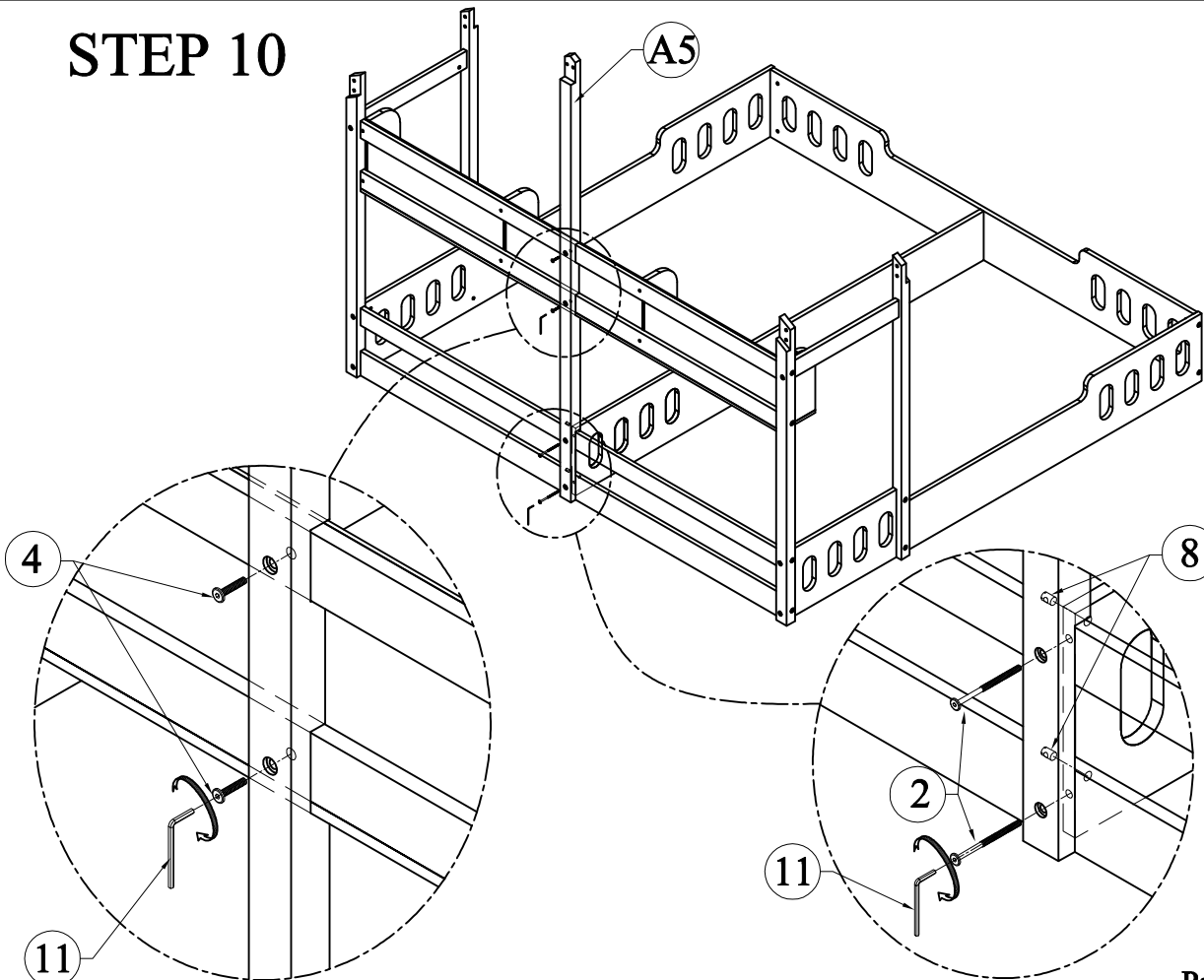


# STEP 9



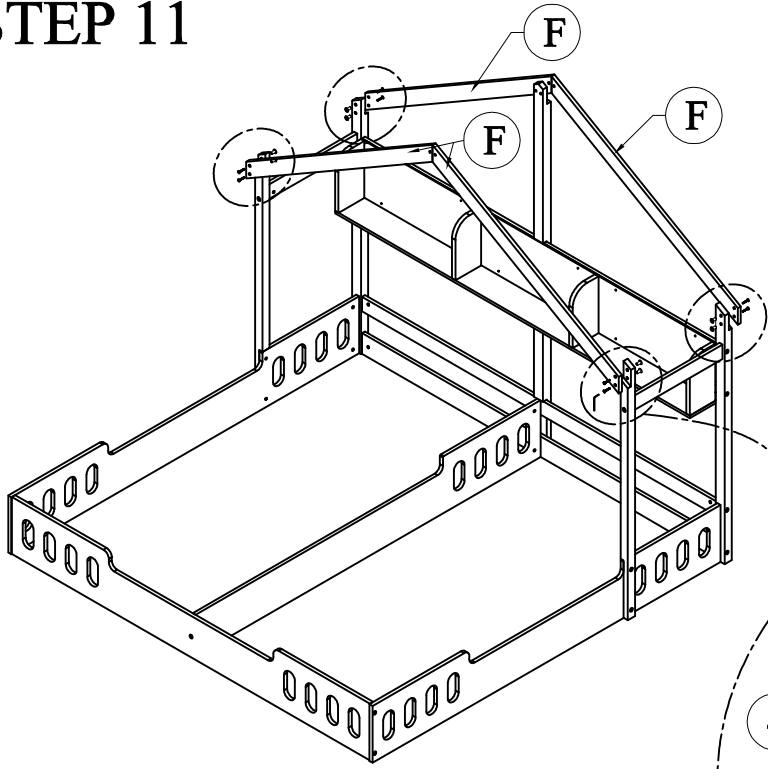
- 1  
  
Hex - Head bolts  
Ø1/4" \* 100- 8pcs
- 3  
  
Hex - Head bolts  
Ø1/4" \* 60- 4pcs
- 8  
  
Horizontal - Hold bolts  
Ø1/4" - 12pcs
- 10  
  
Wood dowel  
Ø8 \* 30 - 12pcs

# STEP 10



- 2  
  
Hex - Head bolts  
Ø1/4" \* 90- 2pcs
- 4  
  
Hex - Head bolts  
Ø1/4" \* 30- 2pcs
- 8  
  
Horizontal - Hold bolts  
Ø1/4" - 2pcs

# STEP 11



4

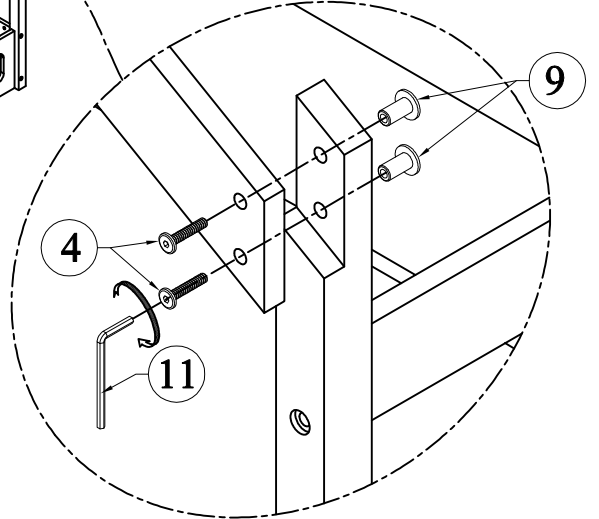


Hex - Head bolts  
Ø1/4" \* 30- 8pcs

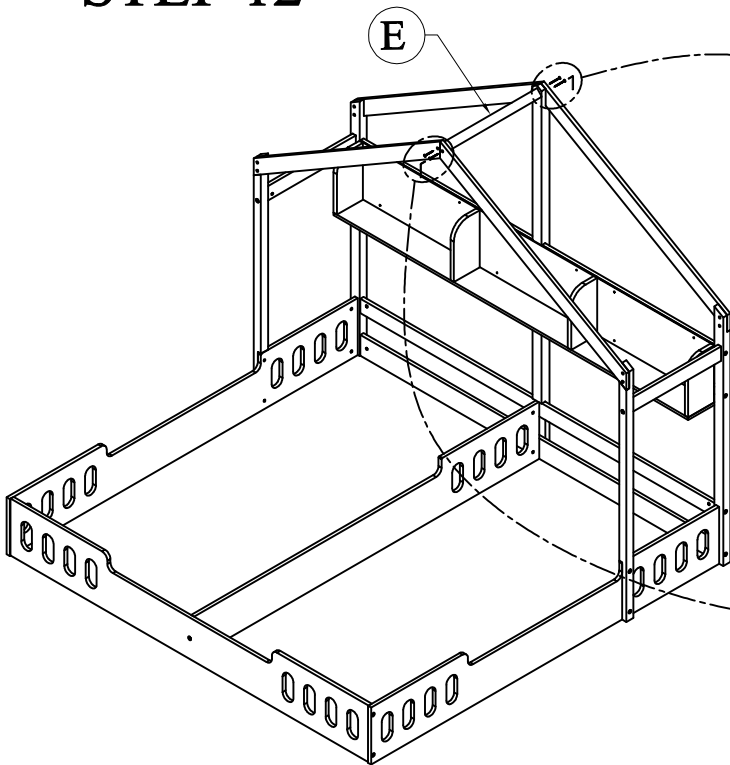
9



Canopy head through  
Ø1/4" - 8pcs



# STEP 12



5

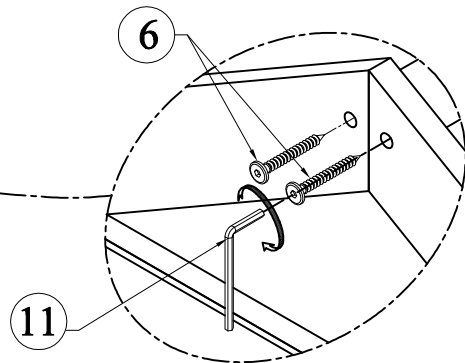
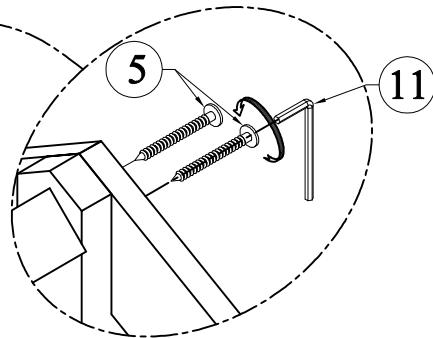


Hexagonal bolts catch wood  
Ø1/4" \* 70 - 2pcs

6



Hexagonal bolts catch wood  
Ø1/4" \* 50 - 2pcs



# COMPLETED

