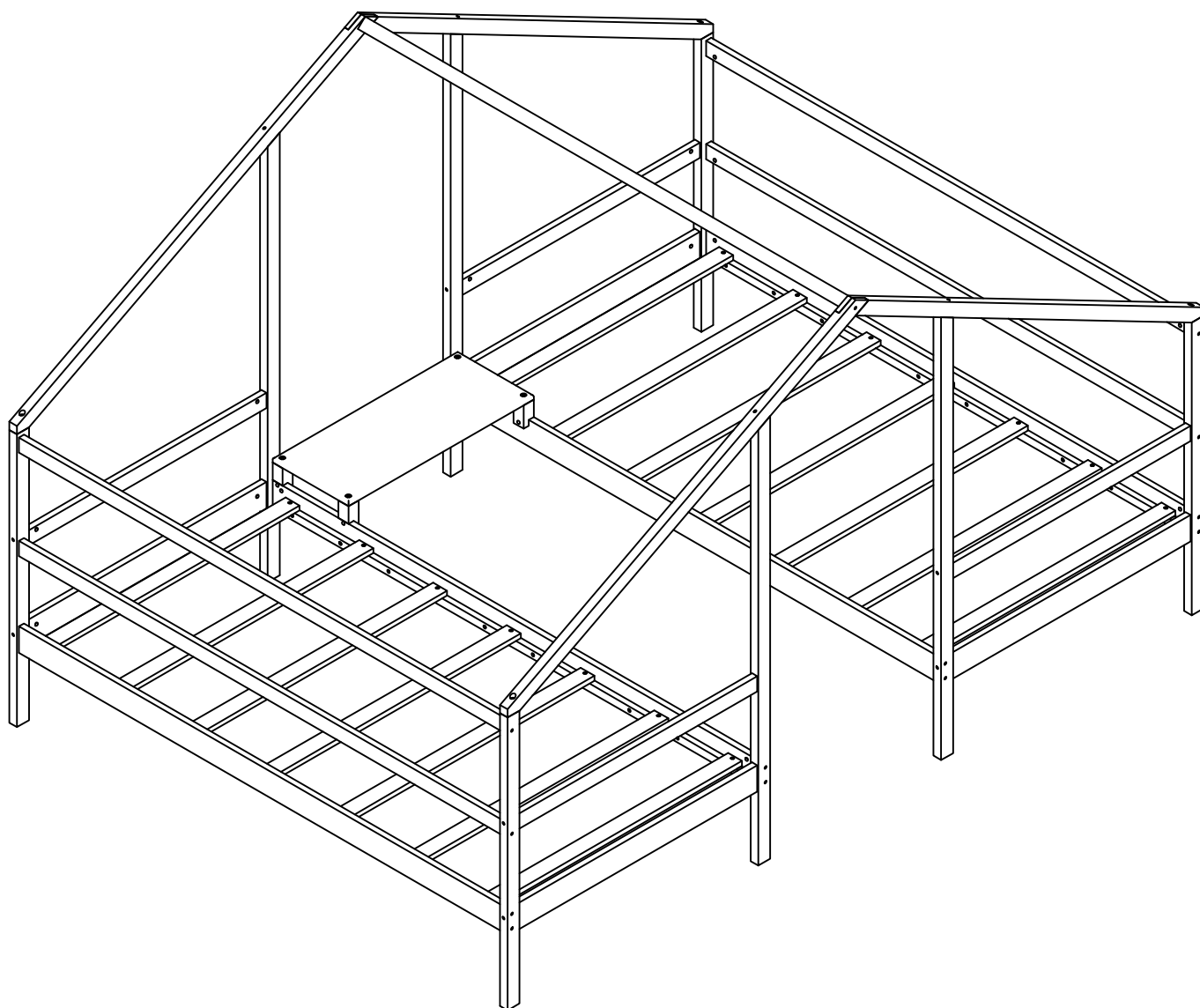


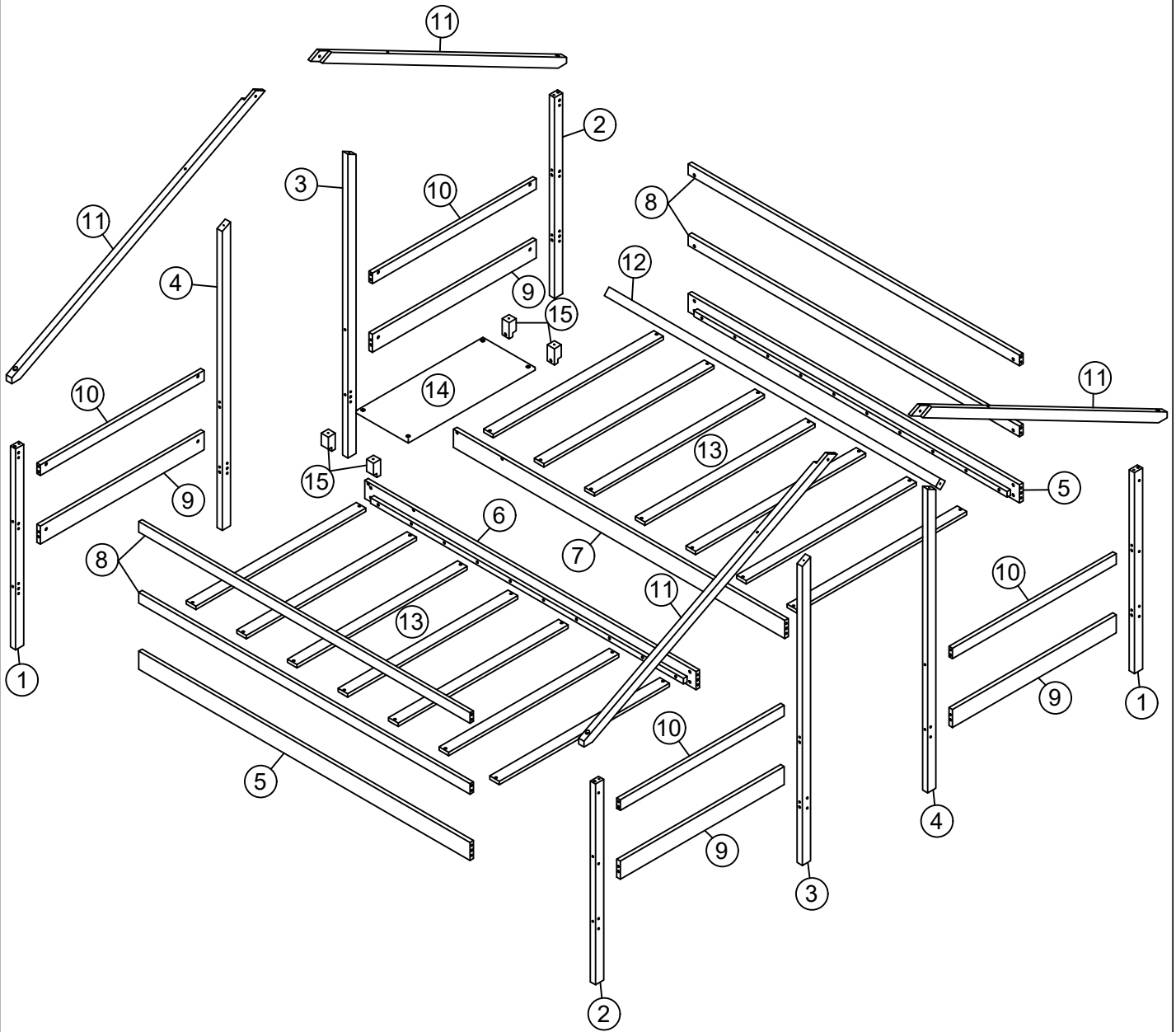
ASSEMBLY INSTRUCTIONS

TWIN TWIN HOUSE BED



WF311785

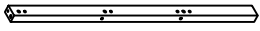
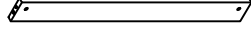
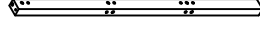
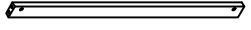
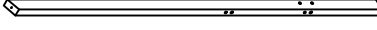
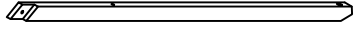
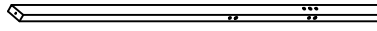
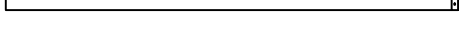

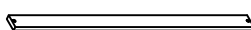

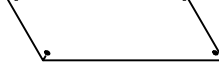



ASSEMBLY INSTRUCTIONS










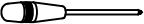

ASSEMBLY INSTRUCTIONS

PARTS LIST

WF311785

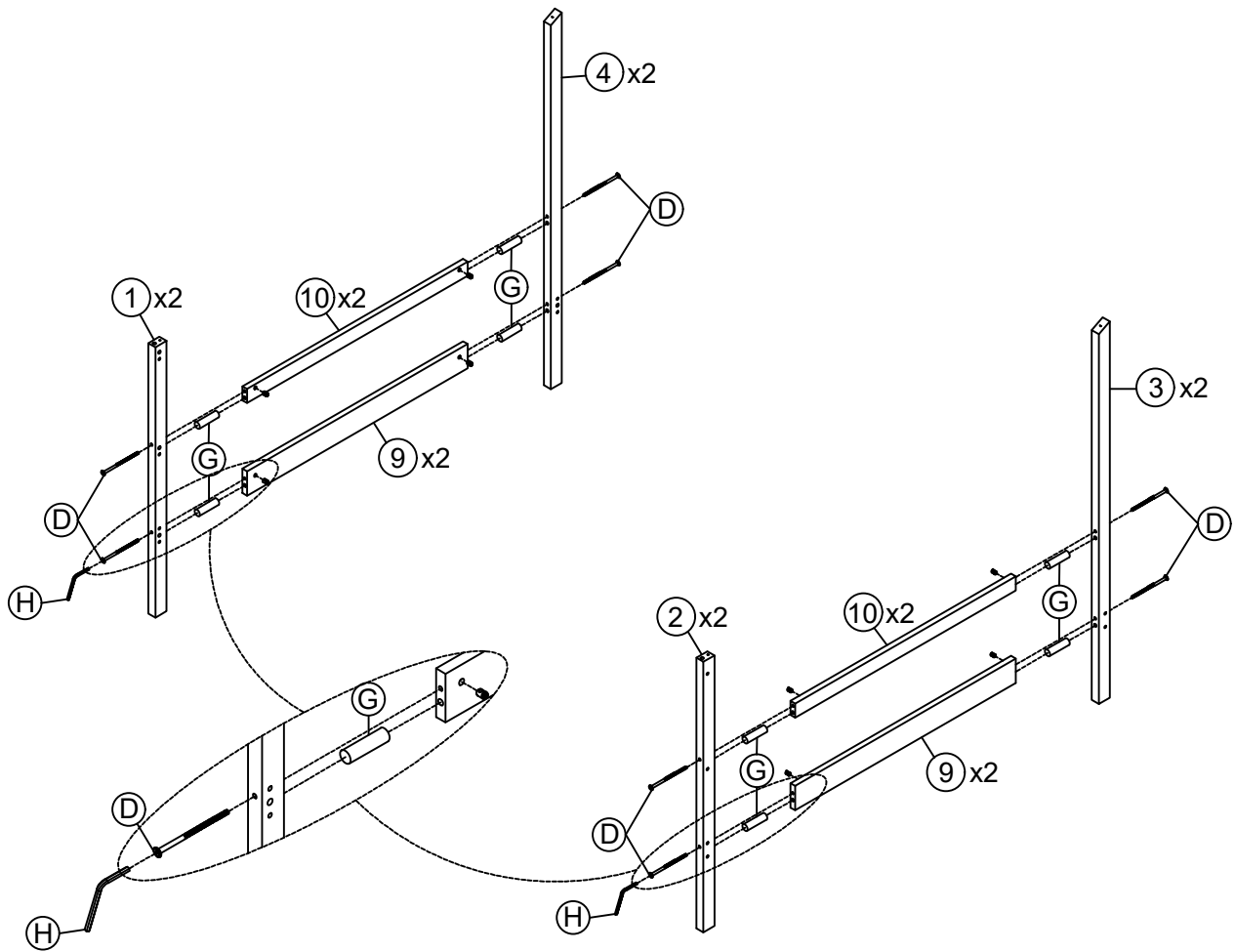
1	Legs 	2pcs	9	Headboard panels 	4pcs
2	Legs 	2pcs	10	Headboard panels 	4pcs
3	Legs 	2pcs	11	Roof top 	4pcs
4	Legs 	2pcs	12	Roof top support 	1pc
5	Side rails 	2pcs	13	Slats 	14pcs
6	Side rails 	1pc	14	Shelf board 	1pc
7	Side rails 	1pc	15	Shelf board support 	4pcs
8	Guard rails 	4pcs			




HARDWARE LIST (WF311785)

A	Ø4x30 	28PCS	F	1/4x35 	4PCS
B	6.5x80 	10PCS	G	Ø10x40 	36PCS
C	6.5x50 	4PCS	H	4x58 	1PC
D	1/4x100 	16PCS		Phillip head screw Not include 	
E	1/4x75 	24PCS			

ASSEMBLY INSTRUCTIONS

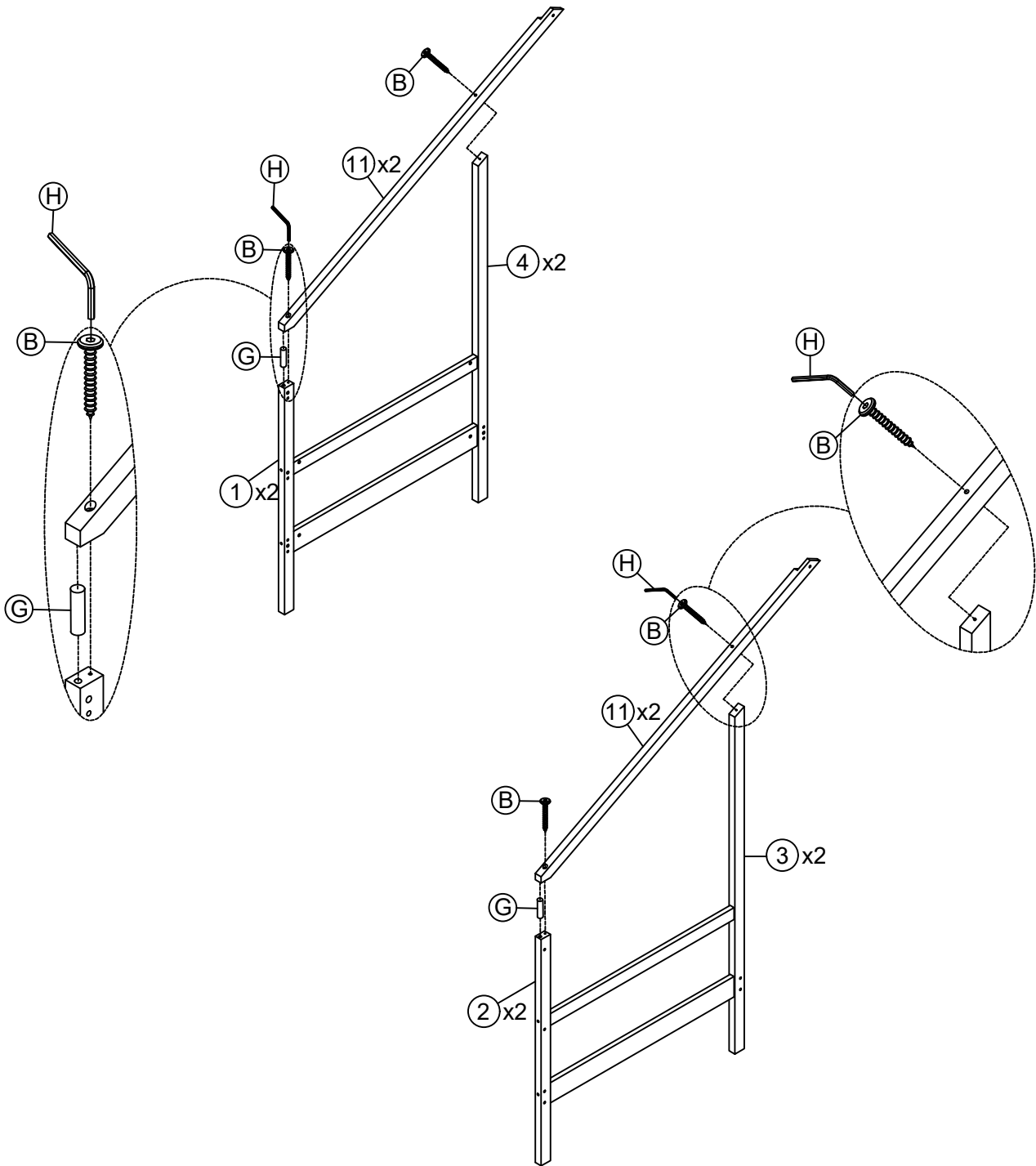
Step 1






G	Ø10x40		16PCS				
D	1/4x100		16PCS	H	4x58		1PC

ASSEMBLY INSTRUCTIONS

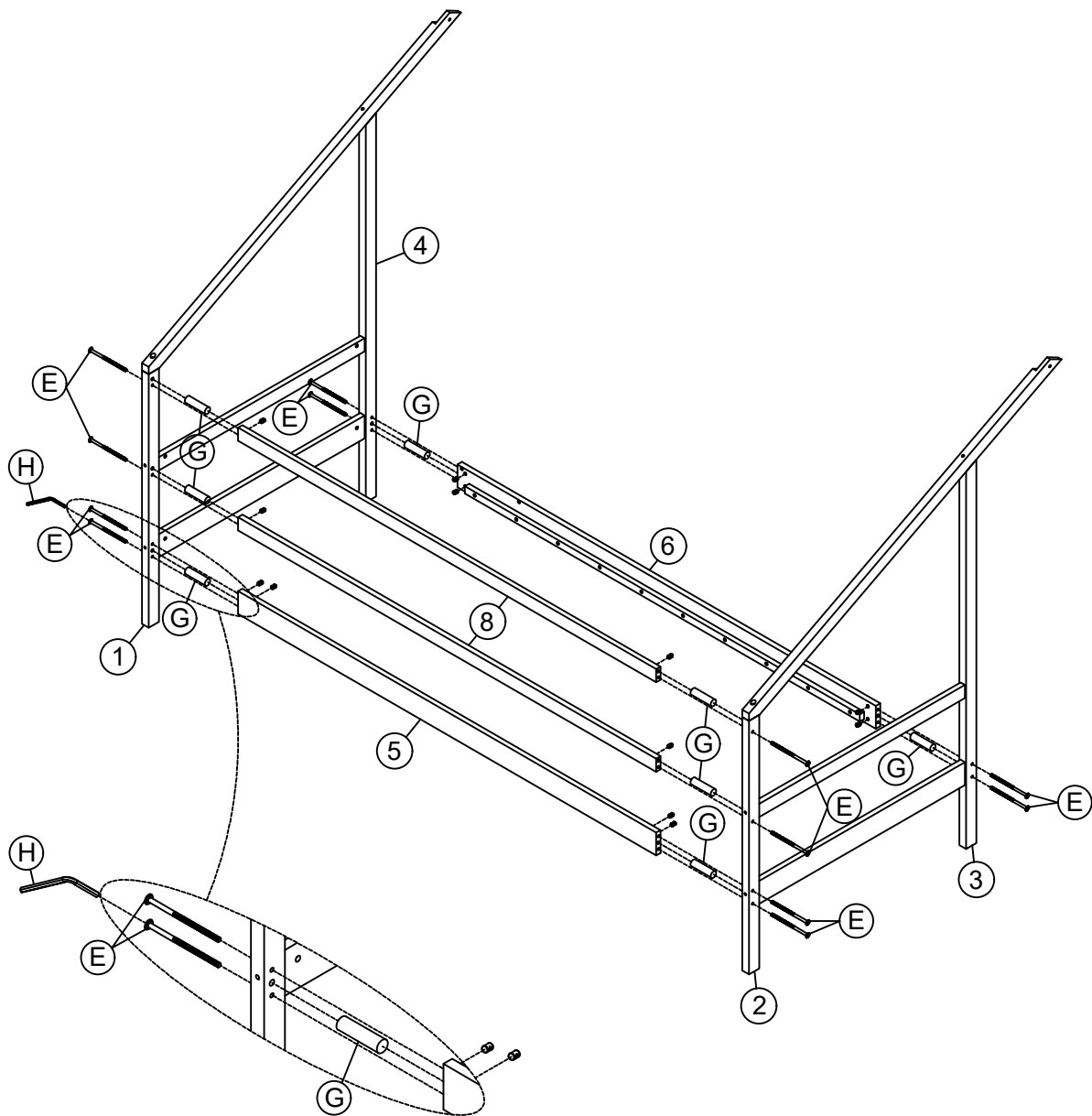
Step 2







H	4x58		1PC				
B	6.5x80		8PCS	G	Ø10x40		4PCS

ASSEMBLY INSTRUCTIONS

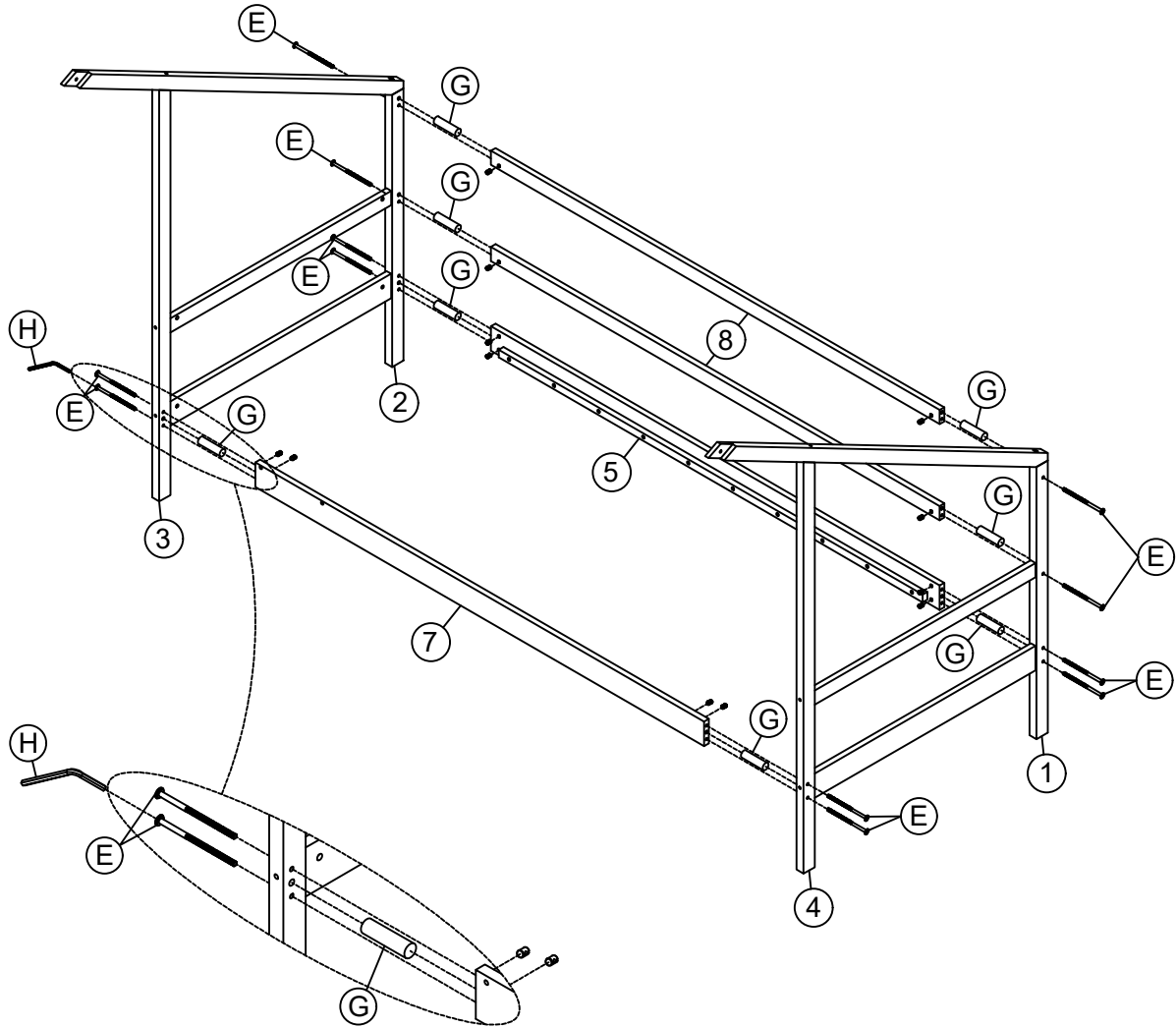
Step 3






G	Ø10x40		8PCS			
E	1/4x75	 	12PCS	H	4x58	 1PC

ASSEMBLY INSTRUCTIONS

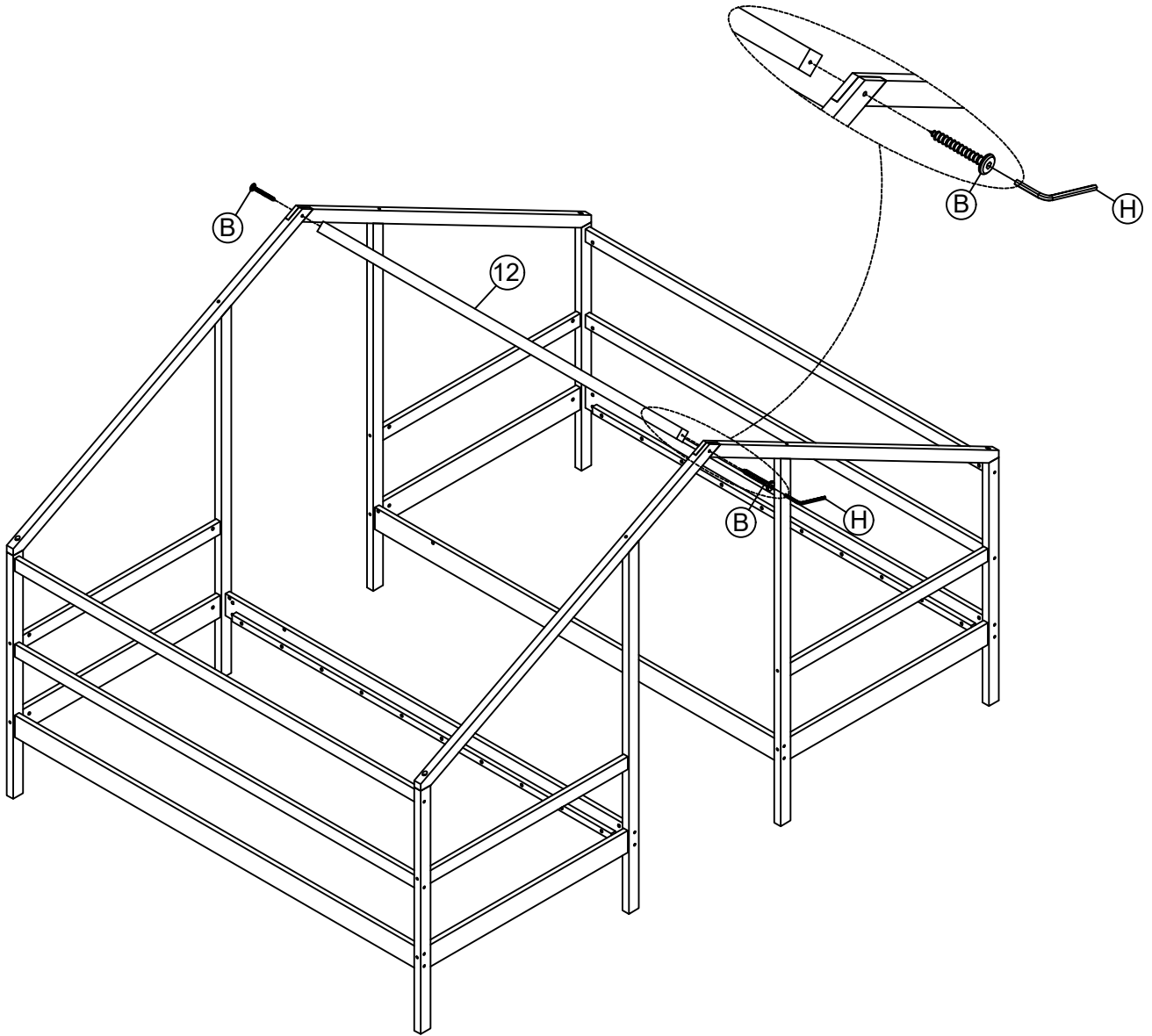
Step 4





G	Ø10x40		8PCS				
E	1/4x75		12PCS	H	4x58		1PC

ASSEMBLY INSTRUCTIONS

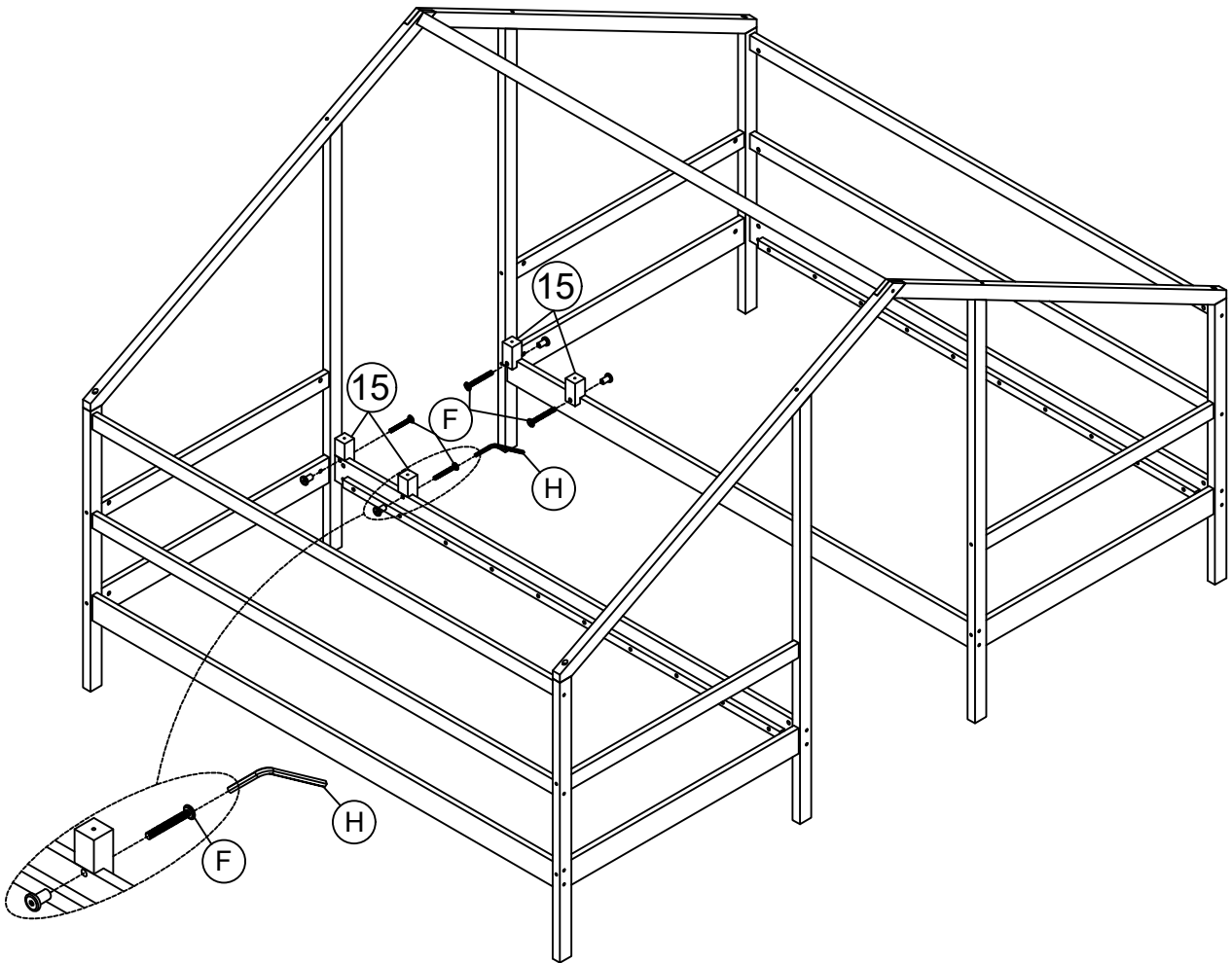
Step 5





H	4x58		1PC	B	6.5x80		2PCS
----------	------	---	-----	----------	--------	---	------

ASSEMBLY INSTRUCTIONS

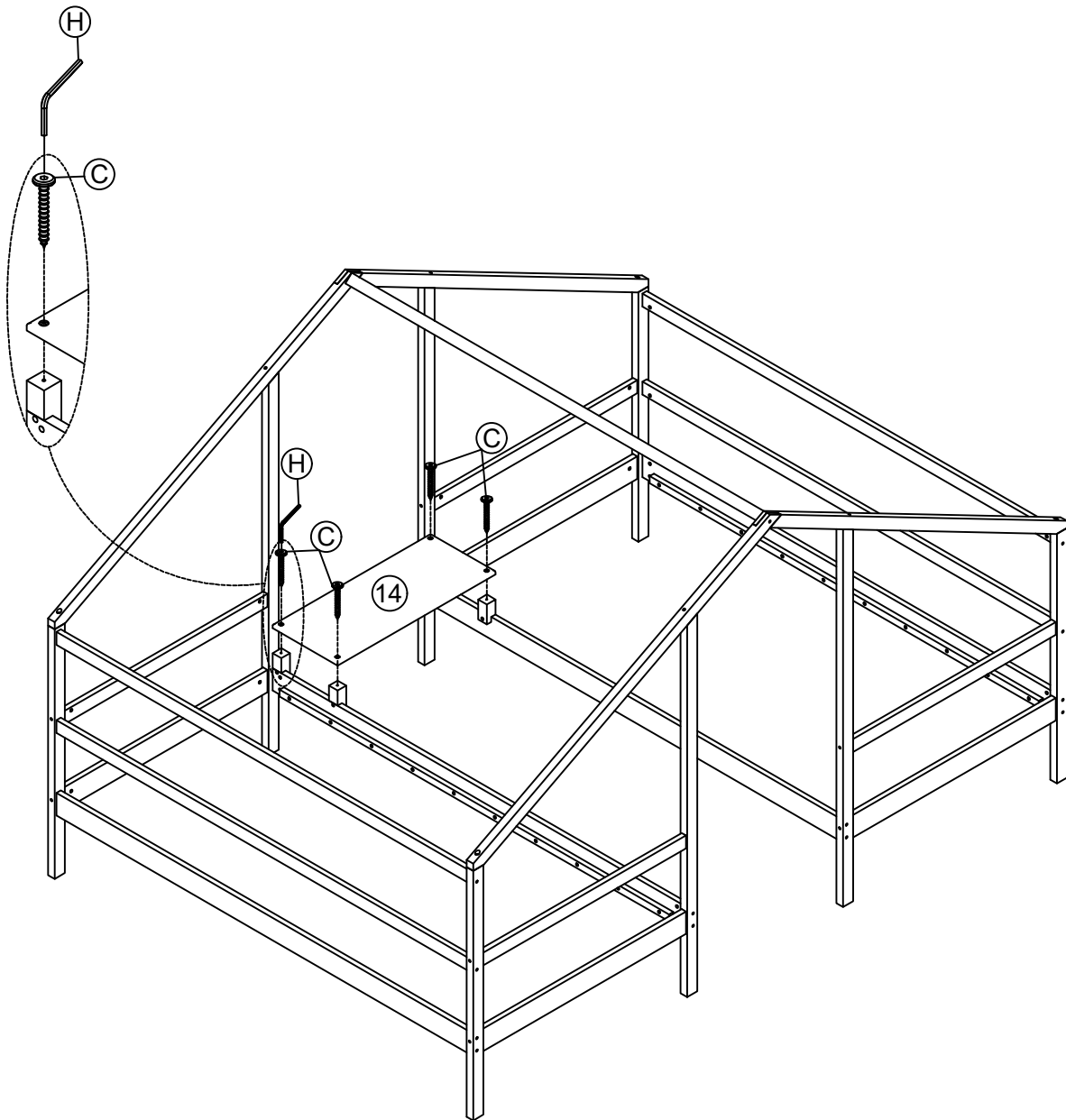
Step 6


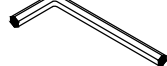


H	4x58		1PC	F	1/4x35		4PCS
----------	------	---	-----	----------	--------	---	------

ASSEMBLY INSTRUCTIONS

Step 7

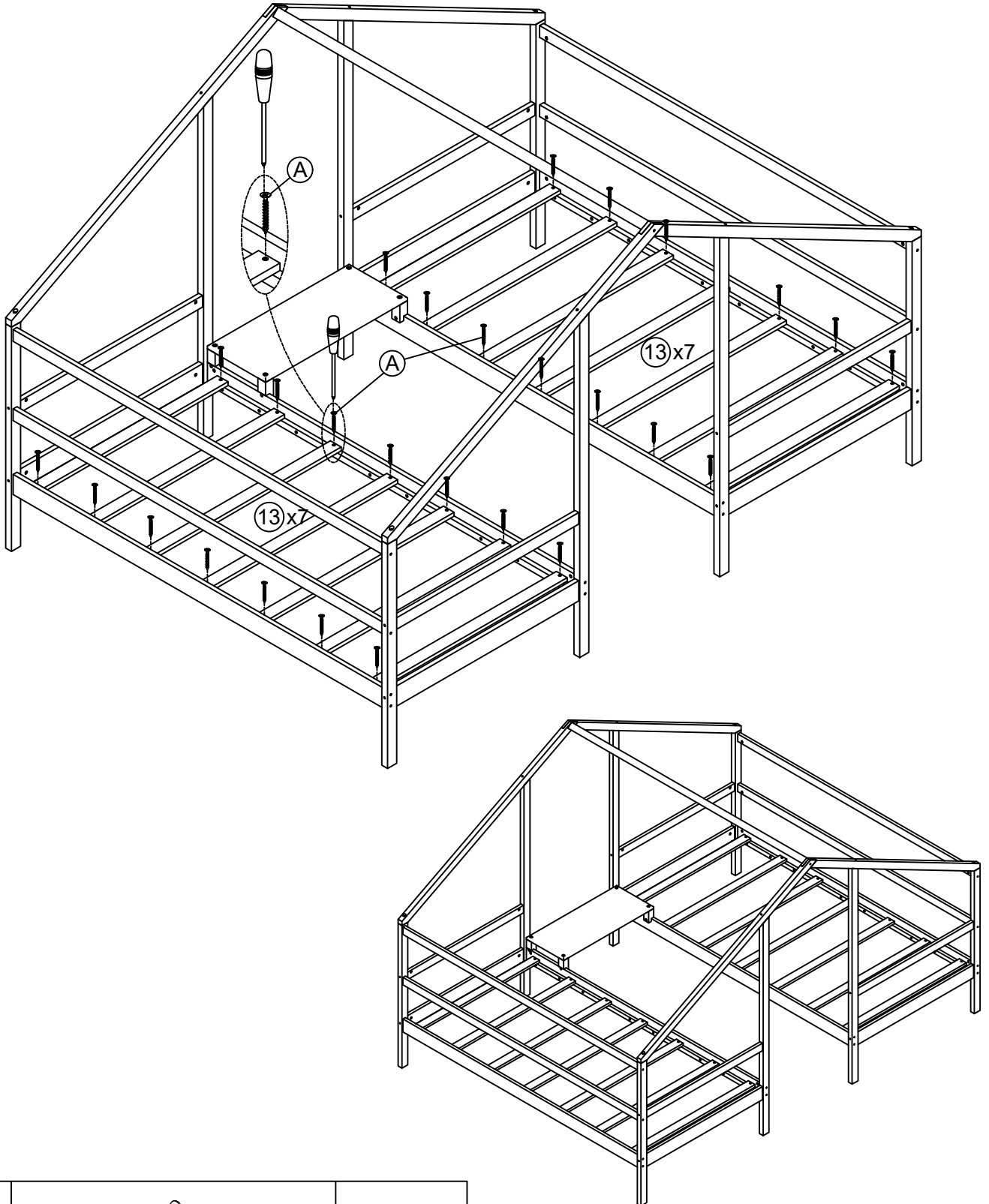


C	6.5x50		4PCS	H	4x58		1PC
----------	--------	---	------	----------	------	---	-----

ASSEMBLY INSTRUCTIONS

Step 8

First attach 2pcs part 13 to the front and end of the frame between headboard. Then attach the remaining part 13 equidistantly between headboard



A

Ø4x30



28PCS