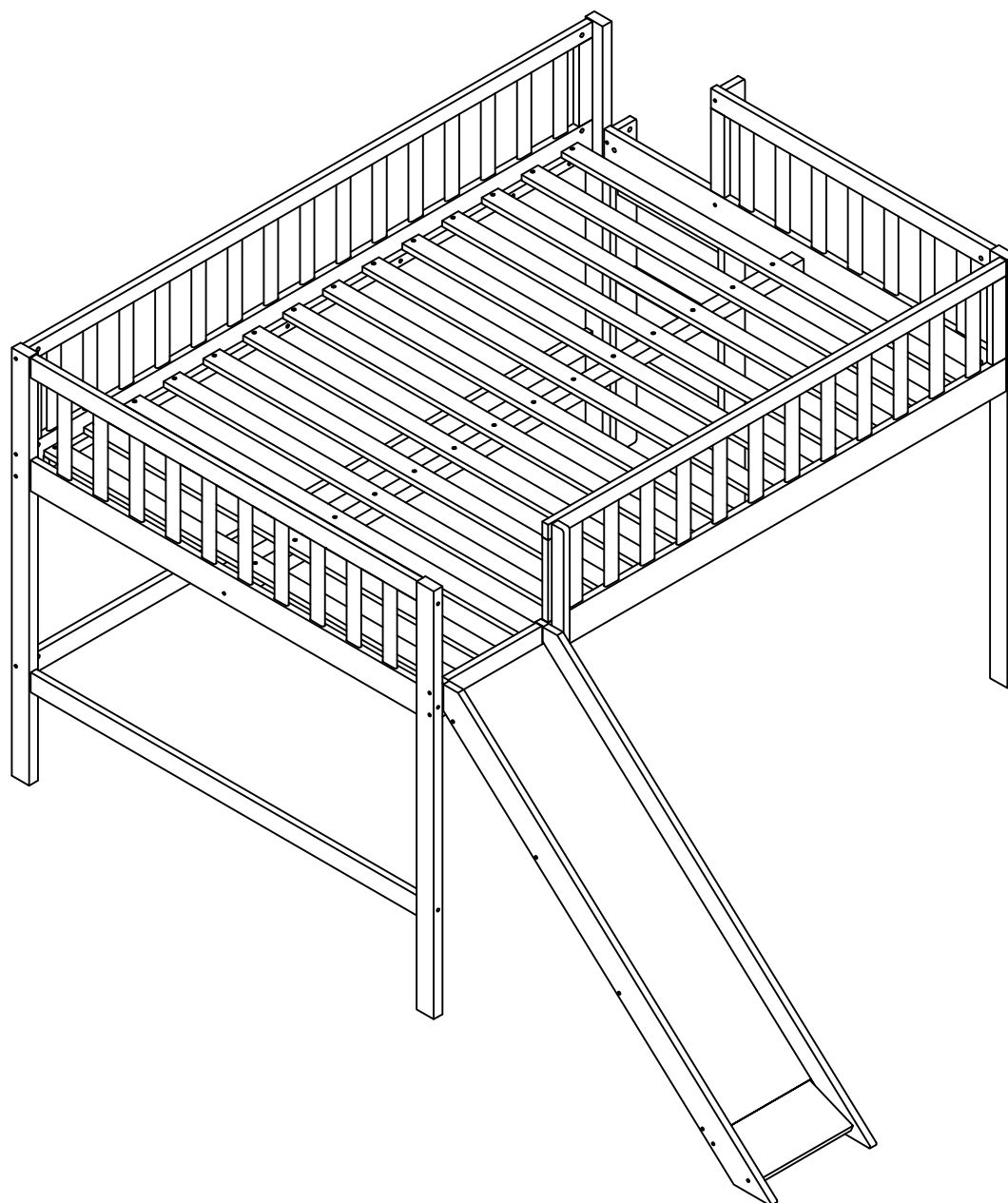


ASSEMBLY INSTRUCTIONS

FULL LOFT BED WITH SLIDE BRIDGE



WF310903/WF310904

ASSEMBLY INSTRUCTIONS



SAFETY WARNINGS



1. This bed is designed for use only mattress (es) meeting the following specifications on the upper bunk:
Upper bunk (bunk bed and tribed included)

Bed Type	Length	Width	Thickness
Twin Standard	74" - 75"	53" - 54"	6" max
2. Replacement parts, including additional guardrails, maybe obtained from any of our (GIGACLOUD TECHNOLOGY (USA) INC. 18961 ARENTH AVENUE CITY OF INDUSTRY, CA, 91748) dealers
3. Follow the information on the warnings appearing on the upper bunk bed end structure and on the carton. Do not remove warning label from bed.
4. Always use the recommended size mattresses or mattress supports, or both, to help prevent the likelihood of entrapment or falls.
5. Surface of mattress must be at least 5" (127mm) below the upper edge of guardrails.
6. Do not allow children under 6 years of age to use the upper bunk.
7. Periodically check and ensure that the guardrail, ladder, and other components are in their proper position, free from damage, and that all connectors are tight.
8. Do not allow horseplay on or under the bed and prohibit jumping on the bed.
9. Always use the ladder for entering and leaving the upper bunk.
10. Do not use substitute part. Contact the manufacture or dealer for replacement part.
11. Use of a night light may provide added safety precaution for a child using the upper bunk.
12. Always use guardrails on both long sides of the upper bunk. If the bunk bed will be placed next to the wall, the guardrail that runs the full length of the bed should be placed against the wall to prevent entrapment between the bed and wall.
13. The use of water or sleep flotation mattresses is prohibited.
14. STRANGULATION HAZARD - Never attach or hang items to any part of the bunk bed that are not designed for use with the bed; for example, but not limited to, hook, belts and jump ropes.
15. Keep these instruction for future reference.
16. Prohibit more than one person on upper bunk
17. We recommend assembling your bunk bed on the shipping carton to protect your floor or carpet.
18. Be certain all staples are out of the box before beginning assembly on the shipping carton.

ASSEMBLY INSTRUCTIONS

1. At the beginning :

Tighten all hardware.

Check metal parts for rust. If found, sand and repaint using a non-lead-based paint meeting the requirements of 16 CFR 1303.

Check all wood members for deterioration and splinters. Sand down splinters and replace deteriorating wood members.

Rake and check depth of loose fill protective surfacing materials to prevent compaction and to maintain appropriate depth. Replace as necessary.

2. Twice a month

Tighten all hardware.

Rake and check depth of loose fill protective surfacing materials to prevent compaction and to maintain appropriate depth. Replace as necessary.

3. Owners shall be responsible for maintaining the legibility of the warning labels.

4. Disposal Instructions-

There shall be instructions advising the owner to disassemble and dispose of the playground equipment in such a way that no unreasonable hazards will exist at the time the playground equipment is discarded.

5. The instructions shall also include the information found in Section 4 of the United States Consumer Product Safety Commission's (USCPSC) Outdoor Home Playground Safety Handbook or specific surfacing guidelines for the product consistent with the USCPSC Handbook. A copy of this section may be found in Appendix X2.

6. Observing the following statements and warnings reduces the likelihood of serious or fatal injury.

7. Specifying the number and weight of occupants that may safely use the equipment singly or simultaneously,

8. Recommending on-site adult supervision for children of all ages,

9. Warning the owner to instruct children not to use the equipment in a manner other than intended,

10. Warning the owner to instruct children not to get off equipment while it is in motion,

11. Warning the owner not to allow children to wear inappropriate items, such as but not limited to, loose fitting clothing, hood and neck drawstrings, scarves, cord-connected items, capes and ponchos. These items can cause death by strangulation.

12. Warning the owner to instruct children not to climb when the equipment is wet.

13. Warning the owner to instruct children not to attach items to the playground equipment that are not specifically designed for use with the equipment, such as, but not limited to, jump ropes, clothesline, pet leashes, cables and chain as they may cause a strangulation hazard

14. Warning the owner to instruct children to remove their bike or other sports helmet before playing on the playground equipment.

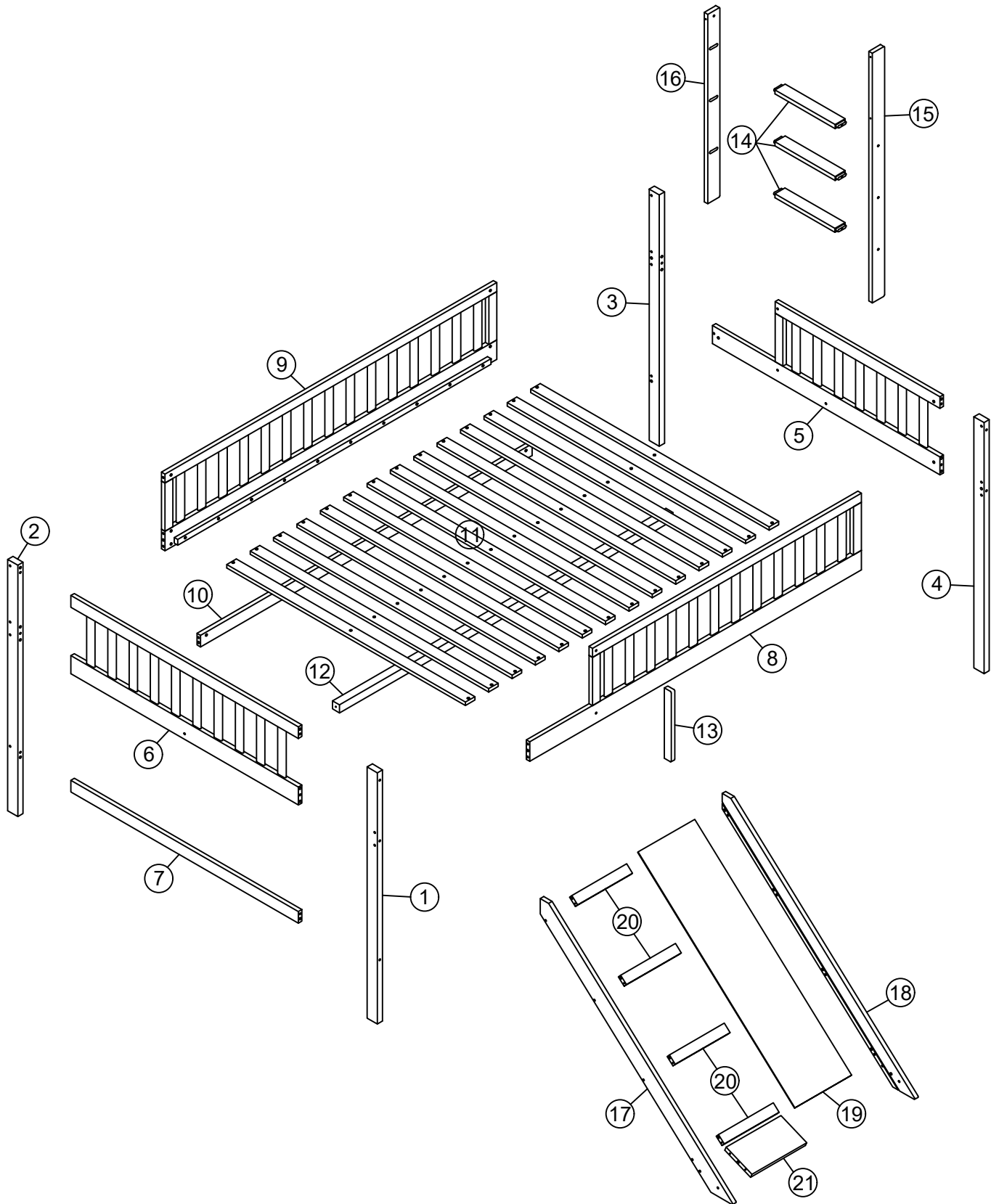
15. Warning the owner to dress children with well-fitting and full foot enclosing footwear. Examples of inappropriate footwear are clogs, flip flops, and sandals.

16. Place the equipment on level ground, not less than 6 ft (1.8 m) from any structure or obstruction such as a fence, garage, house, overhanging branches, laundry lines, or electrical wires

17. Do not install home playground equipment over concrete, asphalt, packed earth, grass, carpet, or any other hard surface. A fall onto a hard surface can result in serious injury or death to the equipment user

18. To prevent serious injury, cautionary statements shall be included which warn that children must not use the equipment until properly installed.

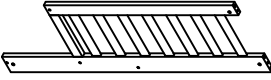
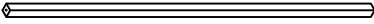
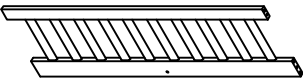
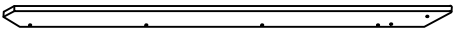
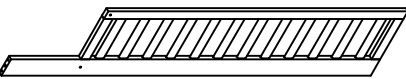

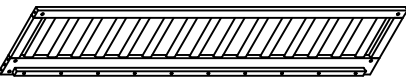
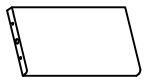
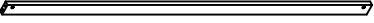
ASSEMBLY INSTRUCTIONS



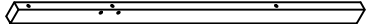
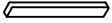
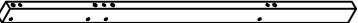
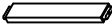
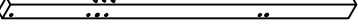
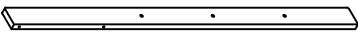
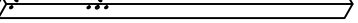
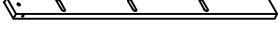


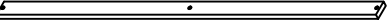
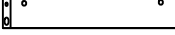
ASSEMBLY INSTRUCTIONS

PARTS LIST

WF310903 (hardware in this SKU)


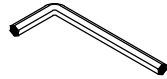













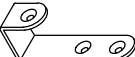





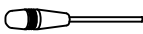
5	 Headboard frame	1pc	12	 Center rail	1pc
6	 Headboard frame	1pc	17	 Slide left leg	1pc
8	 Front guard rail frame	1pc	18	 Slide right leg	1pc
9	 Back guard rail frame	1pc	21	 Slide bottom panel	1pc
10	 Back guard rail	1pc			

WF310904

1	 Bed leg	1pc	13	 Front guard rail support	1pc
2	 Bed leg	1pc	14	 Ladder steps	3pcs
3	 Bed leg	1pc	15	 Ladder long leg	1pc
4	 Bed leg	1pc	16	 Ladder short leg	1pc
7	 Headboard panel	1pc	19	 Slide panel	1pc
11	 Slats	14pcs	20	 Slide support	4pcs

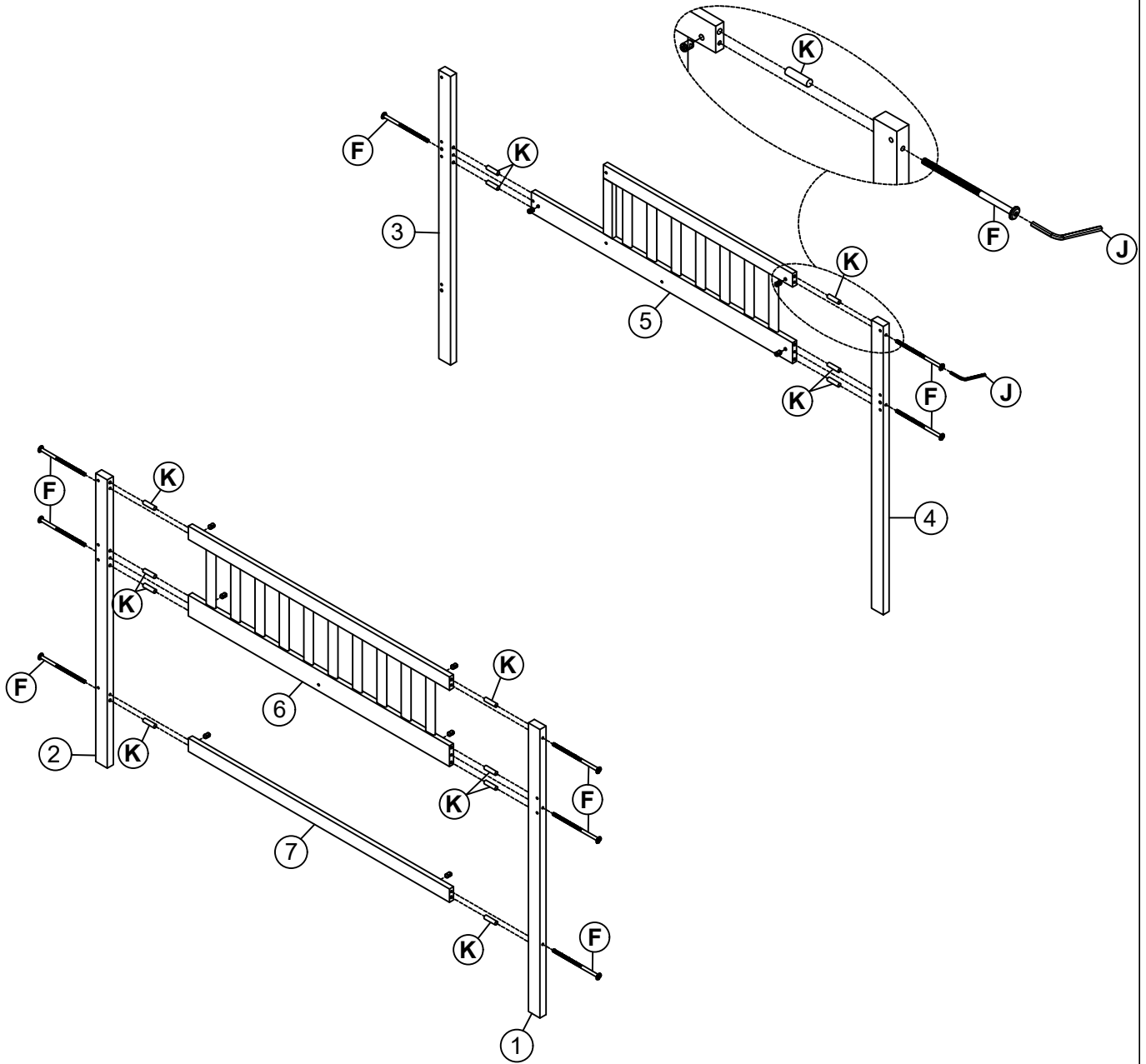
ASSEMBLY INSTRUCTIONS




HARDWARE LIST (WF310903)

A	Ø4x38		2PCS		J	4x58		1PC
B	Ø4x30		42PCS		K	Ø10x40		29PCS
C	Ø4x15		10PCS		L	1/4x12		12PCS
D	6.5x60		2PCS		M	1/4x19		12PCS
E	6.5x50		2PCS		N	18x18x2		2PCS
F	1/4x110	 	9PCS		O	30x25x25		2PCS
G	1/4x75	 	13PCS		P	70x18x2		2PCS
H	1/4x65	 	15PCS		Q	Ø4x15		2PCS
I	1/4x50	 	6PCS			Phillip head screw Not include		

ASSEMBLY INSTRUCTIONS

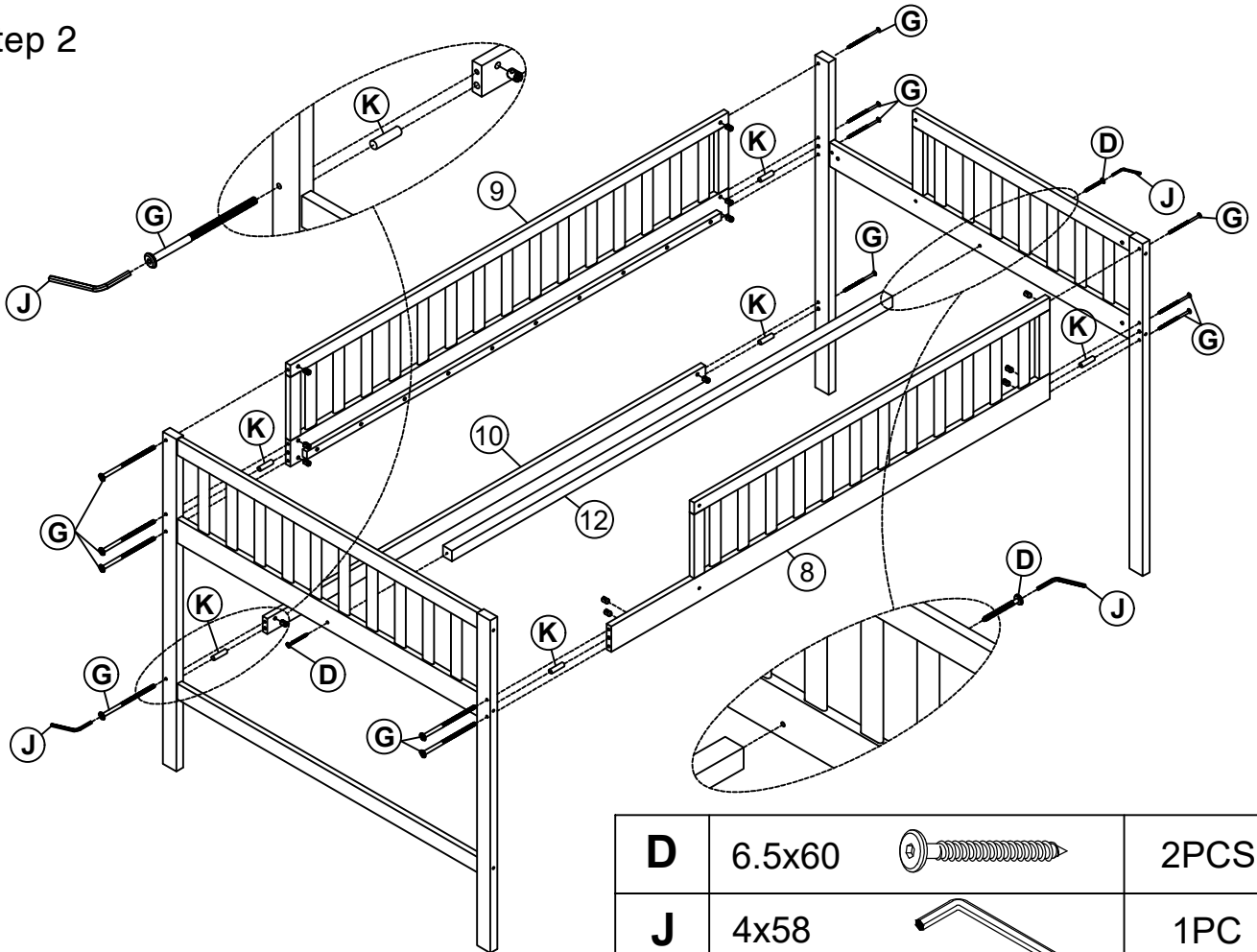
Step 1







J	4x58		1PC
F	1/4x110		9PCS
K	Ø10x40		13PCS

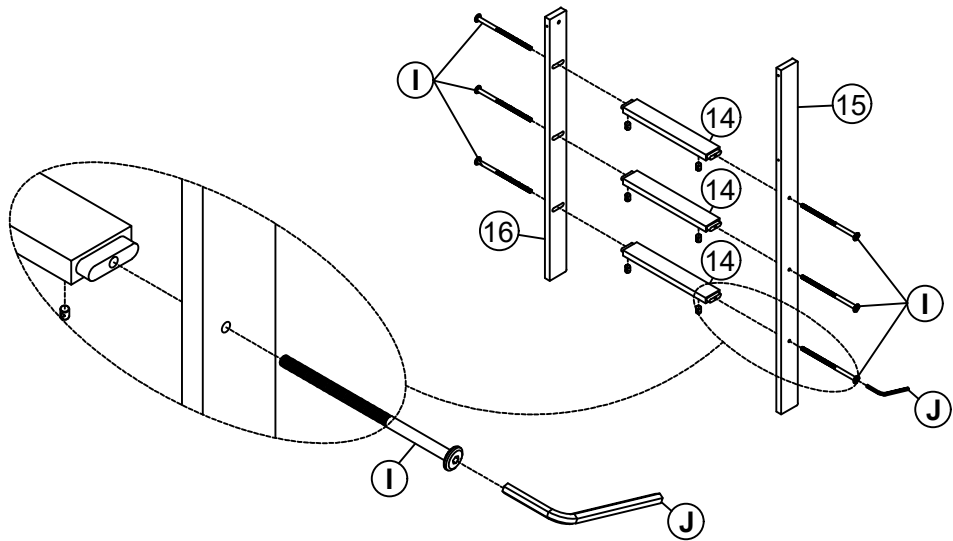
ASSEMBLY INSTRUCTIONS


Step 2



D	6.5x60		2PCS
J	4x58		1PC
G	1/4x75		13PCS
K	Ø10x40		6PCS

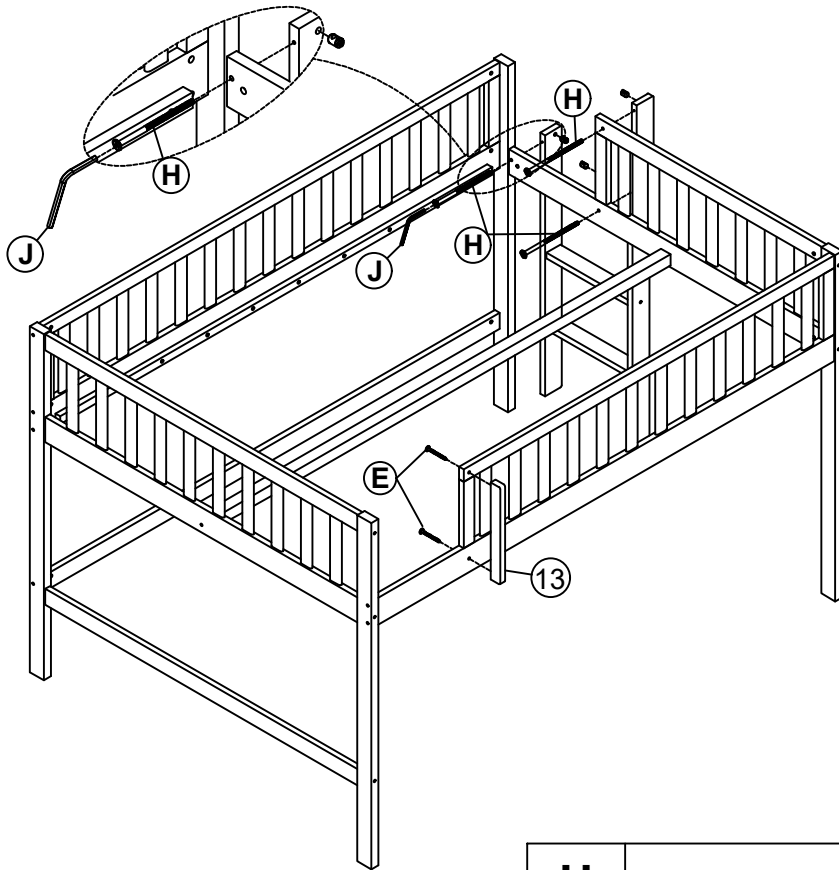
Step 3






I	1/4x50		6PCS	J	4x58		1PC
----------	--------	---	------	----------	------	---	-----

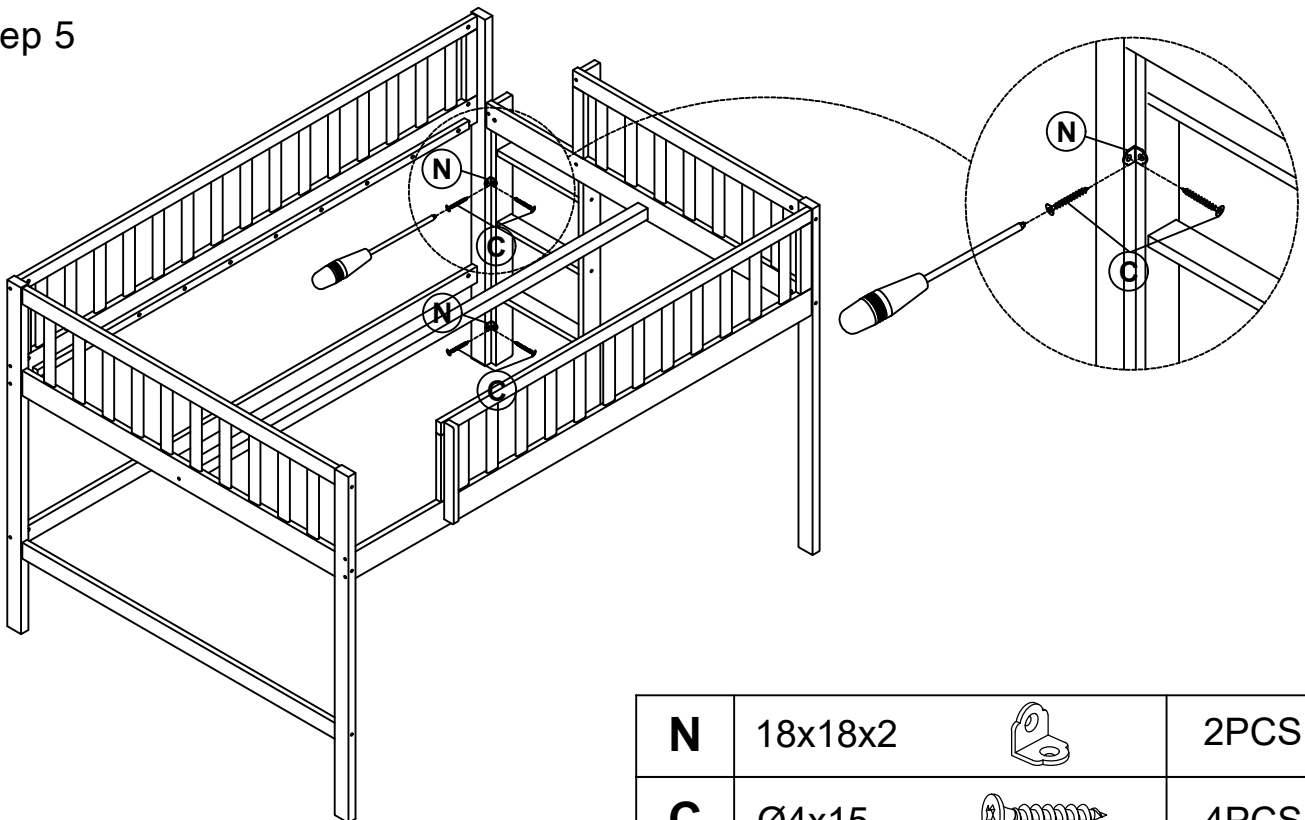
ASSEMBLY INSTRUCTIONS



Step 4



H	1/4x65		3PCS
J	4x58		1PC
E	6.5x50		2PCS

Step 5

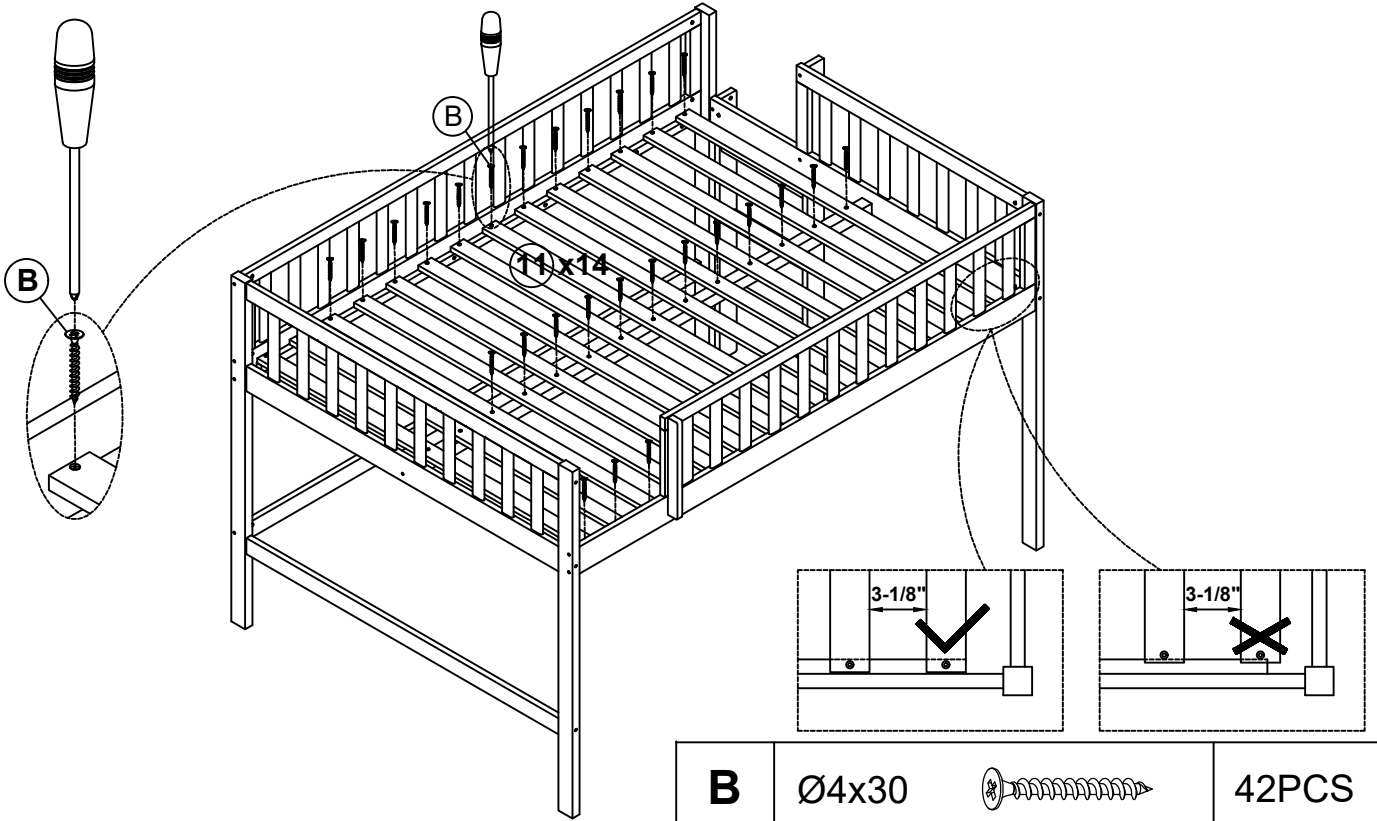



N	18x18x2		2PCS
C	Ø4x15		4PCS

ASSEMBLY INSTRUCTIONS

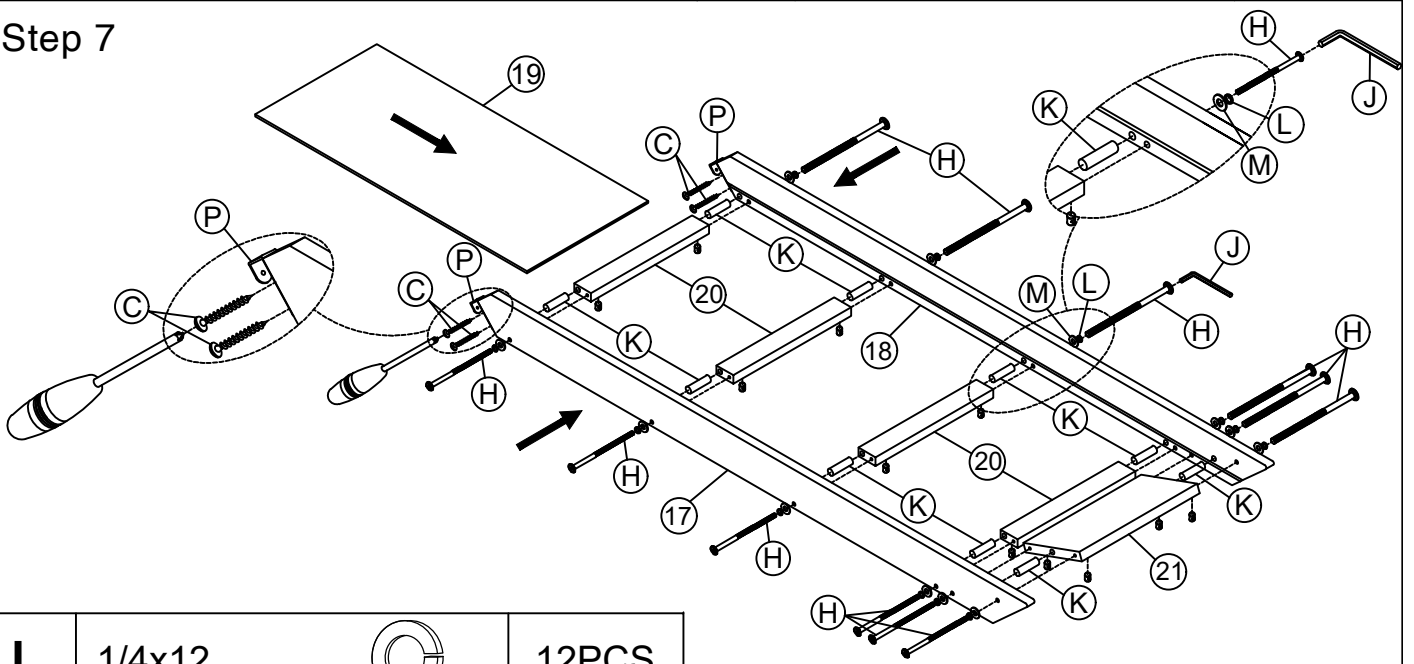
Step 6


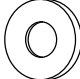

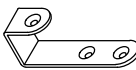



First attach 2pcs part 11 to the front and end of the frame between headboard. Then attach the remaining part 11 equidistantly between headboard



B	Ø4x30		42PCS
----------	-------	---	-------

Step 7



L	1/4x12		12PCS				
M	1/4x19		12PCS	C	Ø4x15		4PCS
P	70x18x2		2PCS	J	4x58		1PC
K	Ø10x40		10PCS	H	1/4x65		12PCS

ASSEMBLY INSTRUCTIONS

Step 8



C

Ø4x15

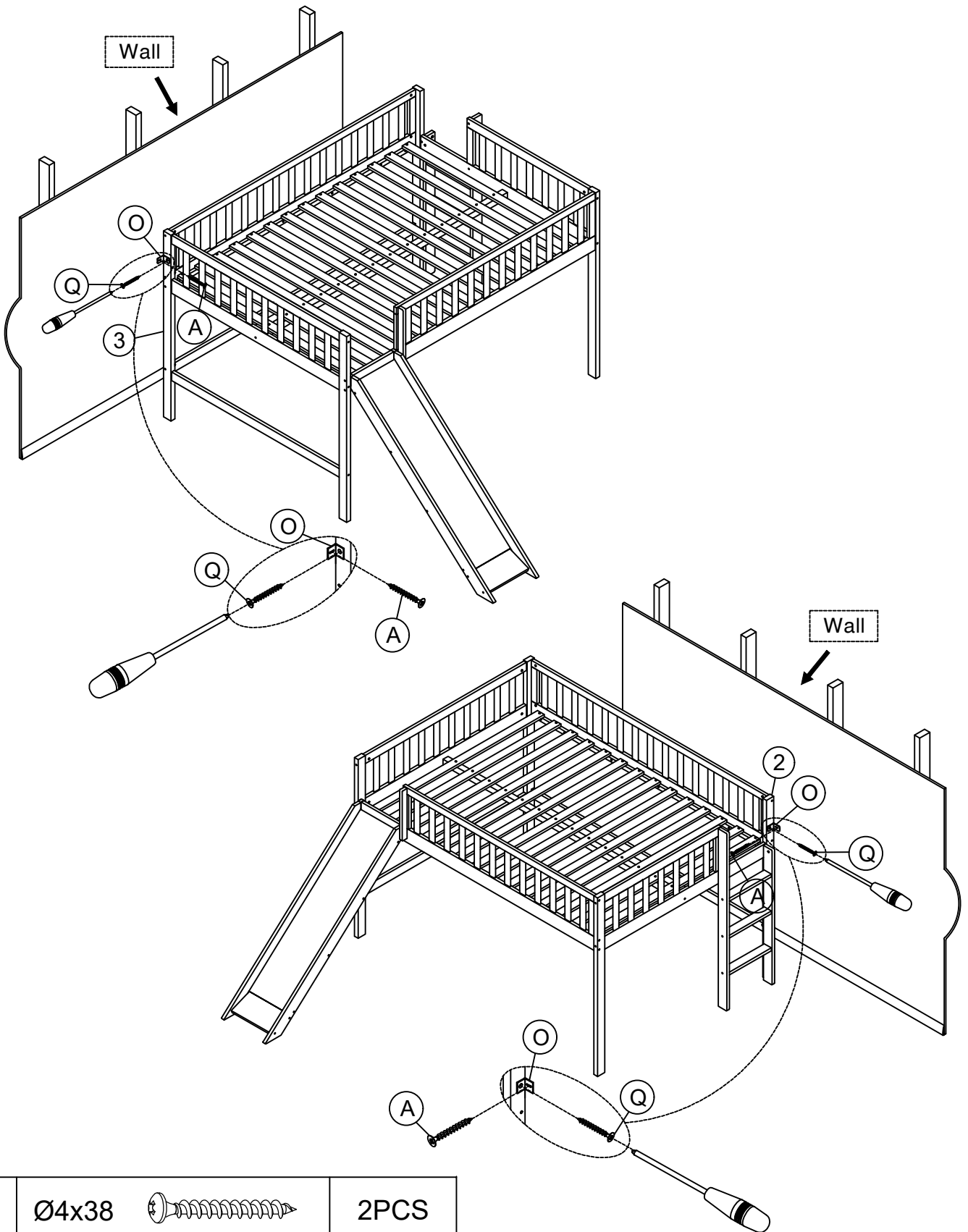





2PCS

ASSEMBLY INSTRUCTIONS

Step 9

The position of the remaining screw holes of the N hardware for wall assembly



A	Ø4x38		2PCS			
Q	Ø4x15		2PCS	O	30x25x25	 2PCS