





# **SAFETY WARNINGS**



1. This bed is designed for use only mattress(es) meeting the following specifications on the upper bunk:  
*Upper bunk* (bunk bed and tribed included)

## ***Upper bed***

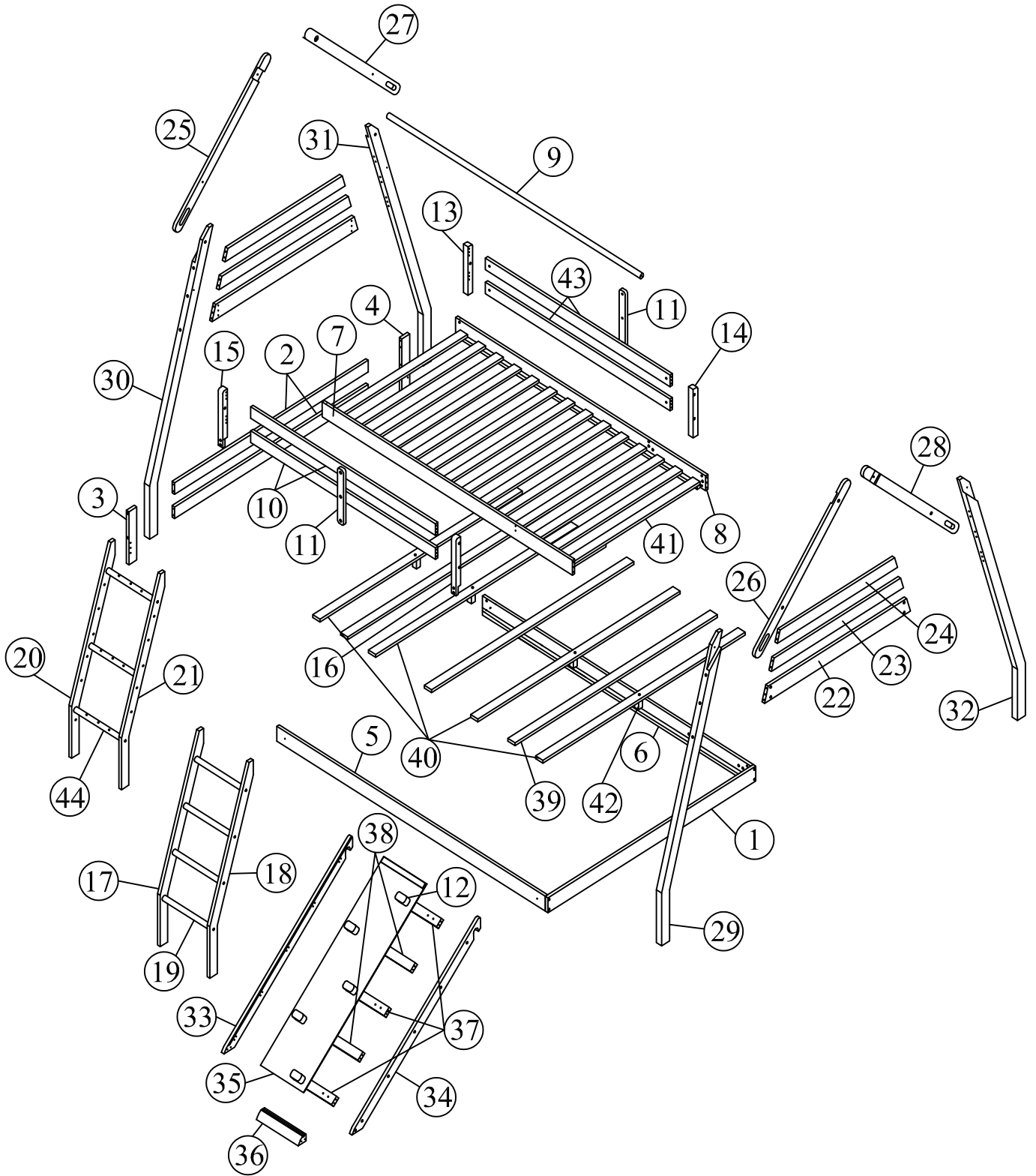
<b><i>Bed Type</i></b>	<b><i>Length</i></b>	<b><i>Width</i></b>	<b><i>Thickness</i></b>
<b><i>Twin Standard</i></b>	<b><i>74"-75"</i></b>	<b><i>38 1/2"</i></b>	<b><i>6" max</i></b>

## ***Lower bed***

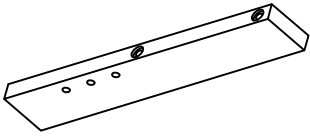
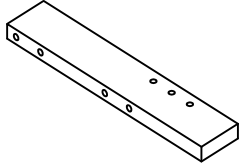
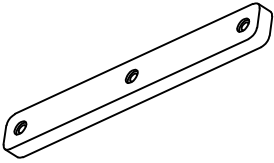
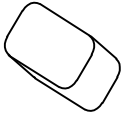
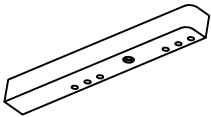
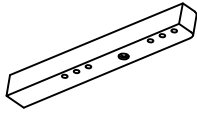

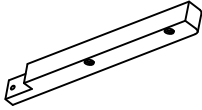
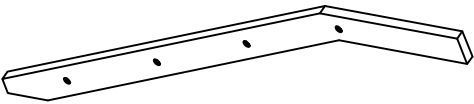
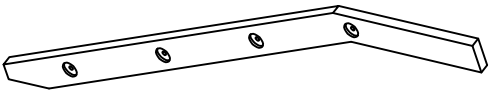
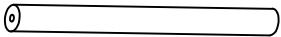
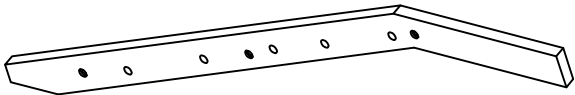
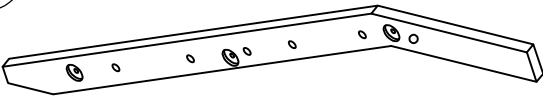

<b><i>Bed Type</i></b>	<b><i>Length</i></b>	<b><i>Width</i></b>	<b><i>Thickness</i></b>
<b><i>Queen Standard</i></b>	<b><i>79 1/2"- 80"</i></b>	<b><i>60" - 60 1/2"</i></b>	<b><i>8" max</i></b>

2. Replacement parts, including additional guardrails, maybe obtained from any of our (GIGACLOUDTECHNOLOGY (USA) INC. 18961 ARENTH AVENUE CITY OF INDUSTRY, CA, 91748) dealers.
3. Follow the information on the warnings appearing on the upper bunk bed end structure and on the carton. Do not remove warning label from bed.
4. Always use the recommended size mattresses or mattress supports, or both, to help prevent the likelihood of entrapment or falls.
5. Surface of the mattress must be at least 5". (127 mm) below the upper edge of guardrails.
6. Do not allow children under 6 years of age to use the upper bunk.
7. Periodically check and ensure that the guardrail, ladder, and other components are in their proper position, free from damage, and that all connectors are tight.
8. Do not allow horseplay on or under the bed and prohibit jumping on the bed
9. Always use the ladder for entering and leaving the upper bunk.
10. Do not use substitute parts. Contact the manufacturer or dealer for replacement parts.
11. Use of a night light may provided added safety precaution for a child using the upper bunk.
12. Always use guardrails on both long sides of the upper bunk. If the bunk bed will be placed next to the wall, the guardrail that runs the full length of the bed should be placed against the wall to prevent entrapment between the bed and wall.
13. The use of water or sleep flotation mattresses is prohibited.
14. STRANGULATION HAZARD - Never attach or hang items to any part of the bunk bed that are not designed for use with the bed; for example, but not limited to, hook, belts and jump ropes.
15. Keep these instructions for future reference
16. Prohibit more than one person on upper bunk.
17. We recommend assembling your bunk bed on the shipping carton to protect your floor or carpet.
18. Be certain all staples are out of the box before beginning assembly on the shipping carton.

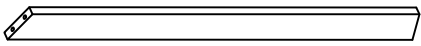
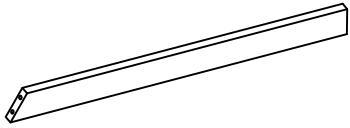
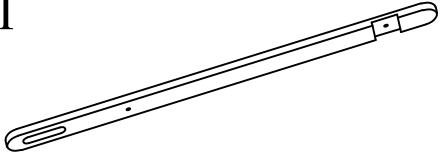
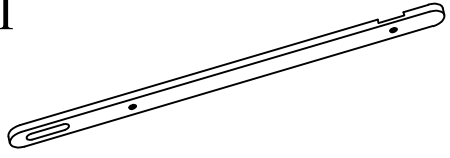
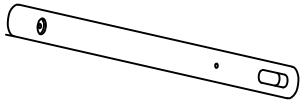

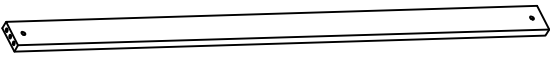

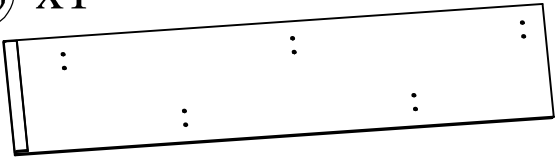
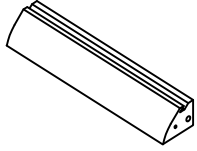


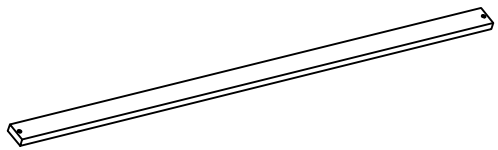
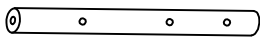
Detail:



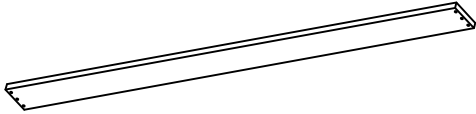

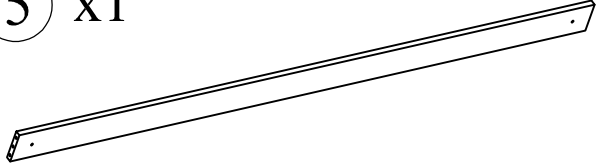
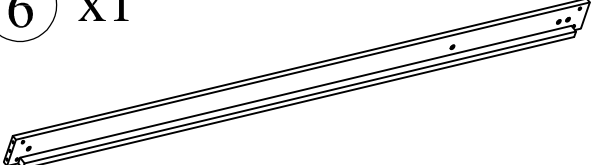

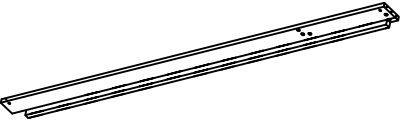

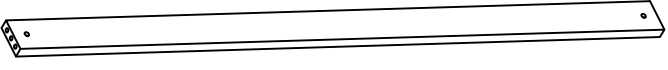

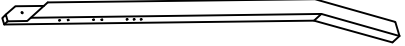


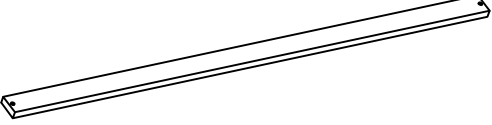
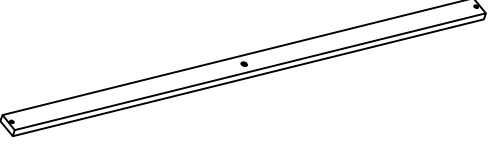
## Part List (WF309745 )

<p>③ x1</p>  <p style="text-align: center;"><b>Front Left Leg</b></p>	<p>④ x1</p>  <p style="text-align: center;"><b>Back Left Leg</b></p>
<p>⑪ x2</p>  <p style="text-align: center;"><b>Center Guarail Bar</b></p>	<p>⑫ x5</p>  <p style="text-align: center;"><b>Turn on climbing</b></p>
<p>⑬ x1</p>  <p style="text-align: center;"><b>Back (Left) Guarait reniforce Bar</b></p>	<p>⑭ x1</p>  <p style="text-align: center;"><b>Back (Right) Guarait reniforce Bar</b></p>
<p>⑮ x1</p>  <p style="text-align: center;"><b>Front (Left) Guarait reniforce Bar</b></p>	<p>⑯ x1</p>  <p style="text-align: center;"><b>Front (Right) Guarait reniforce Bar</b></p>
<p>⑰ x1</p>  <p style="text-align: center;"><b>Left Leg Ladder</b></p>	<p>⑱ x1</p>  <p style="text-align: center;"><b>Right Leg Ladder</b></p>
<p>⑲ x4</p>  <p style="text-align: center;"><b>Ladder Posts</b></p>	<p>⑳ x1</p>  <p style="text-align: center;"><b>Right Leg Ladder</b></p>
<p>㉑ x1</p>  <p style="text-align: center;"><b>Left Leg Ladder</b></p>	<p>㉒ x2</p>  <p style="text-align: center;"><b>Side Rail Guards</b></p>

## Part List (WF309745 )

<p>②③ x2</p>  <p style="text-align: center;"><b>Side Rail Guards</b></p>	<p>②④ x2</p>  <p style="text-align: center;"><b>Side Rail Guards</b></p>
<p>②⑤ x1</p>  <p style="text-align: center;"><b>Roof Rail</b></p>	<p>②⑥ x1</p>  <p style="text-align: center;"><b>Roof Rail</b></p>
<p>②⑦ x1</p>  <p style="text-align: center;"><b>Roof Rail</b></p>	<p>②⑧ x1</p>  <p style="text-align: center;"><b>Roof Rail</b></p>
<p>①⑩ x2</p>  <p style="text-align: center;"><b>Side Rail Guards</b></p>	<p>④② x4</p>  <p style="text-align: center;"><b>Support Legs</b></p>
<p>③⑤ x1</p>  <p style="text-align: center;"><b>Bottom Slide</b></p>	<p>③⑥ x1</p>  <p style="text-align: center;"><b>Bottom Slide</b></p>
<p>③⑦ x3</p>  <p style="text-align: center;"><b>Support Slide</b></p>	<p>③⑧ x2</p>  <p style="text-align: center;"><b>Support Slide</b></p>
<p>④① x14</p>  <p style="text-align: center;"><b>Slats</b></p>	<p>④④ x3</p>  <p style="text-align: center;"><b>Ladder Posts</b></p>

## Part List ( WF309746)

<p>① x1</p>  <p style="text-align: center;"><b>Footboard</b></p>	<p>② x2</p>  <p style="text-align: center;"><b>Headboard</b></p>
<p>⑤ x1</p>  <p style="text-align: center;"><b>Side Rail</b></p>	<p>⑥ x1</p>  <p style="text-align: center;"><b>Side Rail</b></p>
<p>⑦ x1</p>  <p style="text-align: center;"><b>Side Rail</b></p>	<p>⑧ x1</p>  <p style="text-align: center;"><b>Side Rail</b></p>
<p>⑨ x1</p>  <p style="text-align: center;"><b>Center Guard</b></p>	<p>④③ x2</p>  <p style="text-align: center;"><b>Side Rail Guards</b></p>
<p>②⑨ x1</p>  <p style="text-align: center;"><b>Front Right Leg</b></p>	<p>③⑩ x1</p>  <p style="text-align: center;"><b>Back Right Leg</b></p>
<p>③① x1</p>  <p style="text-align: center;"><b>Front Left Leg</b></p>	<p>③② x1</p>  <p style="text-align: center;"><b>Back Left Leg</b></p>
<p>③⑨ x3</p>  <p style="text-align: center;"><b>Slats</b></p>	<p>④④ x4</p>  <p style="text-align: center;"><b>Slats</b></p>

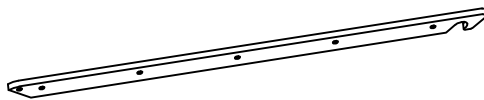
**Part List ( WF309746)**

**33** x1



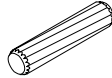
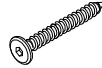




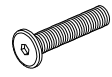
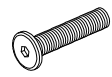
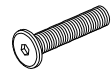



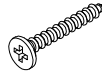

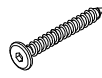

**Side Rail ( Left) Slide**

**34** x1



**Side Rail ( Right) Slide**

## Hardware List (WF309745 )

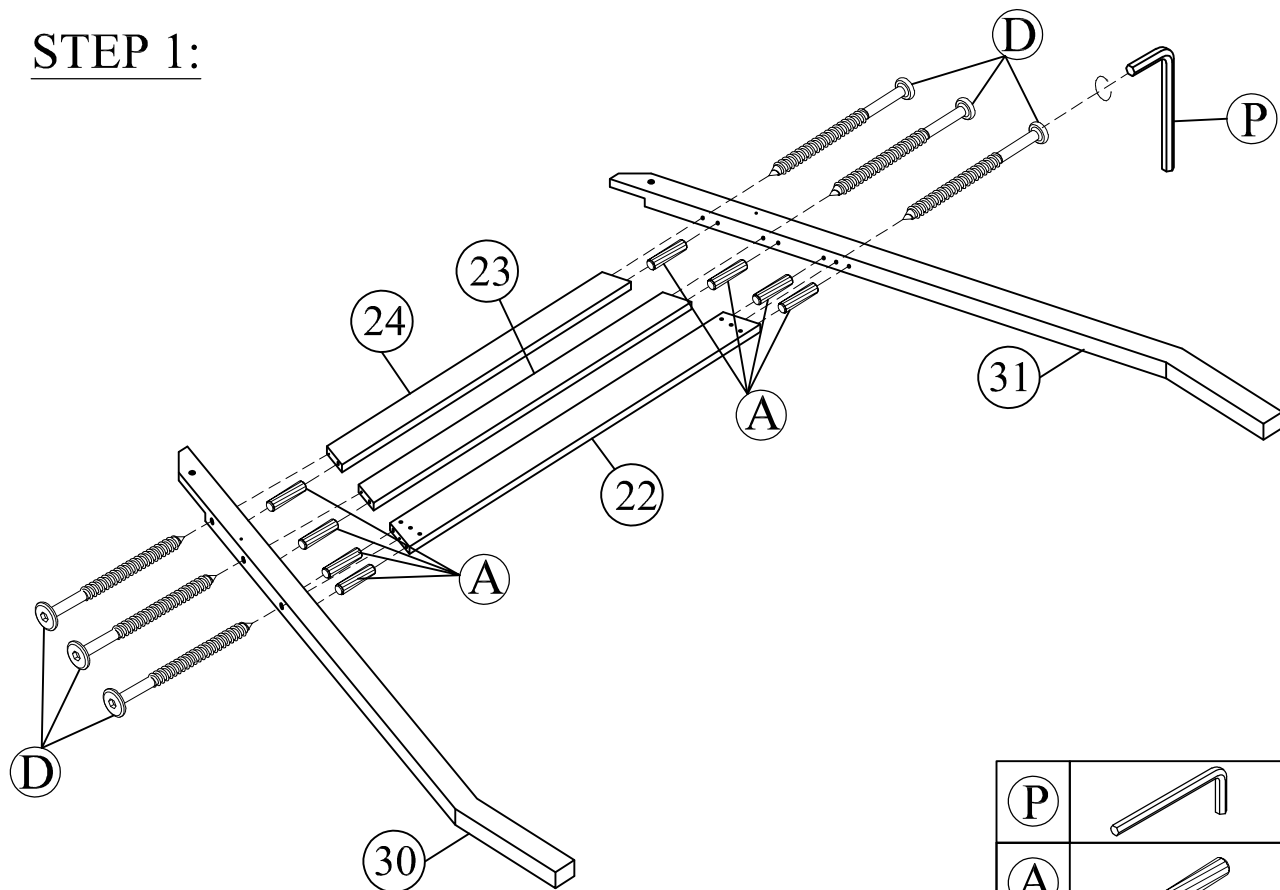
No.	OUTLOOK	DESC	QTY
(A)		Dowel Ø8*30mm	58pcs
(B)		Screws M6*30mm	6pcs
(C)		Screws M6*50mm	14pcs
(D)		Screws M6*90mm	12pcs
(E)		Bolts M6*100mm	4pcs
(F)		Bolts M6*70mm	24pcs
(G)		Bolts M6*50mm	10pcs
(H)		Bolts M6*35mm	8pcs
(I)		Bolts M6*30mm	24pcs
(J)		Bolts M6*25mm	4pcs
(K)		Bolts M6*20mm	8pcs
(L)		Cross dowel M6* 13mm	28pcs
(M)		Flat head screw #8*25mm	42pcs
(O)		Rip cord 5500mm	1pc
(N)		Screws M6*35mm	4pcs
(P)		Allen key 60*22*4mm	1pc

**ASSEMBLY TOOLS REQUIRED (NOT INCLUDED)**



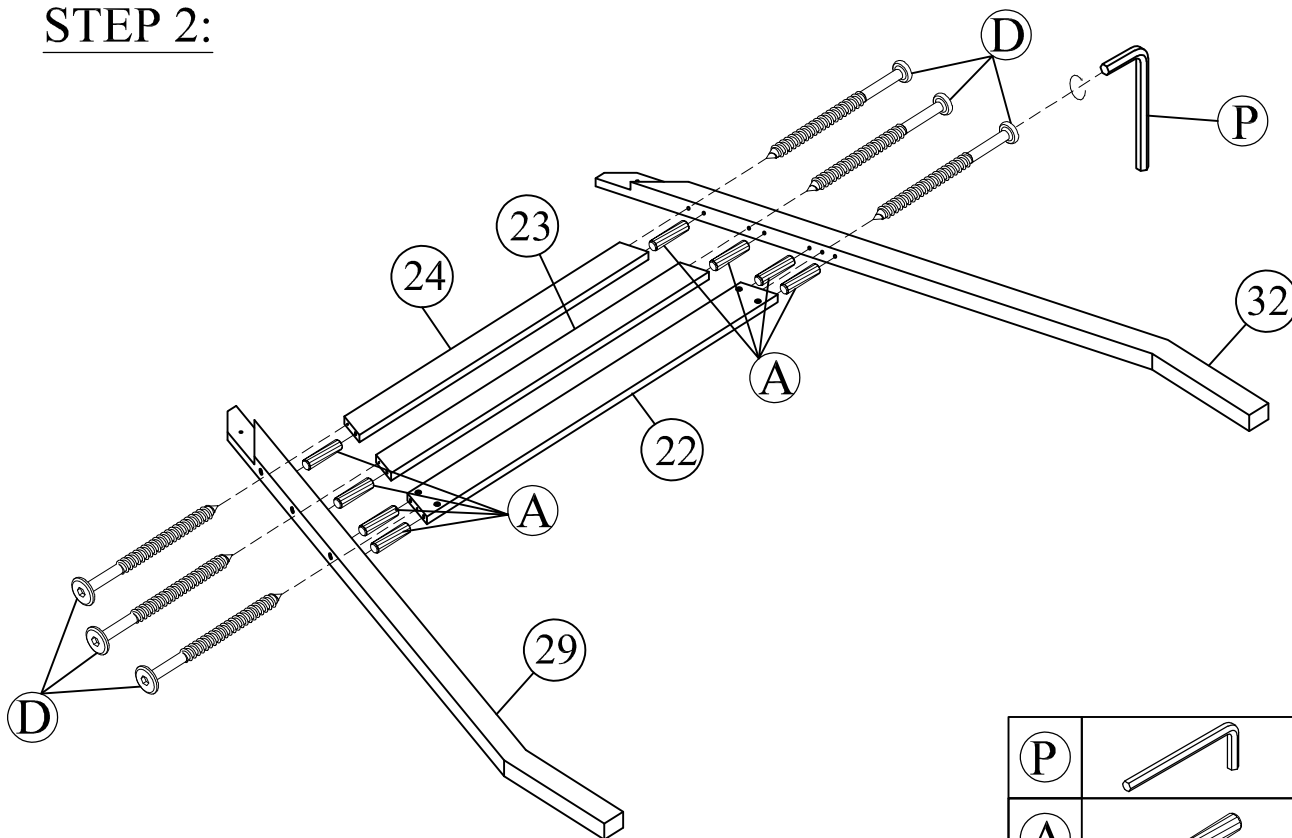


**STEP 1:**



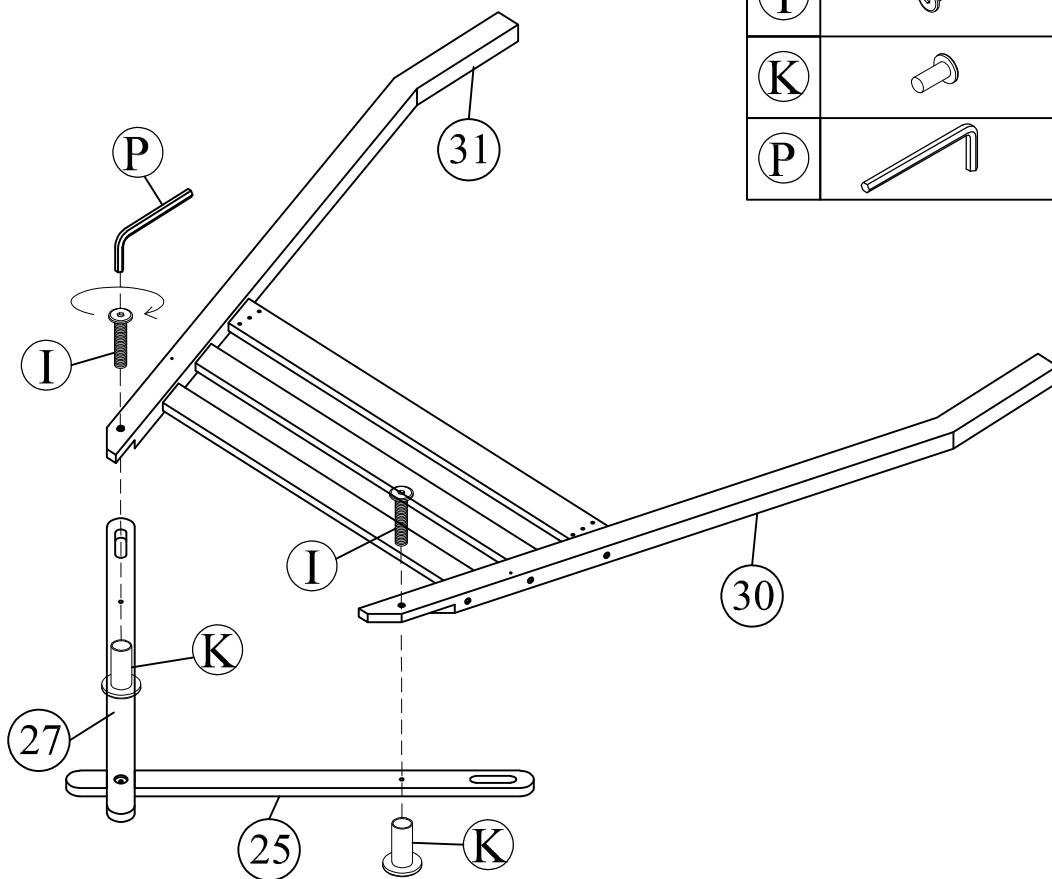
(P)		1pc
(A)		8pcs
(D)		6pcs




**STEP 2:**



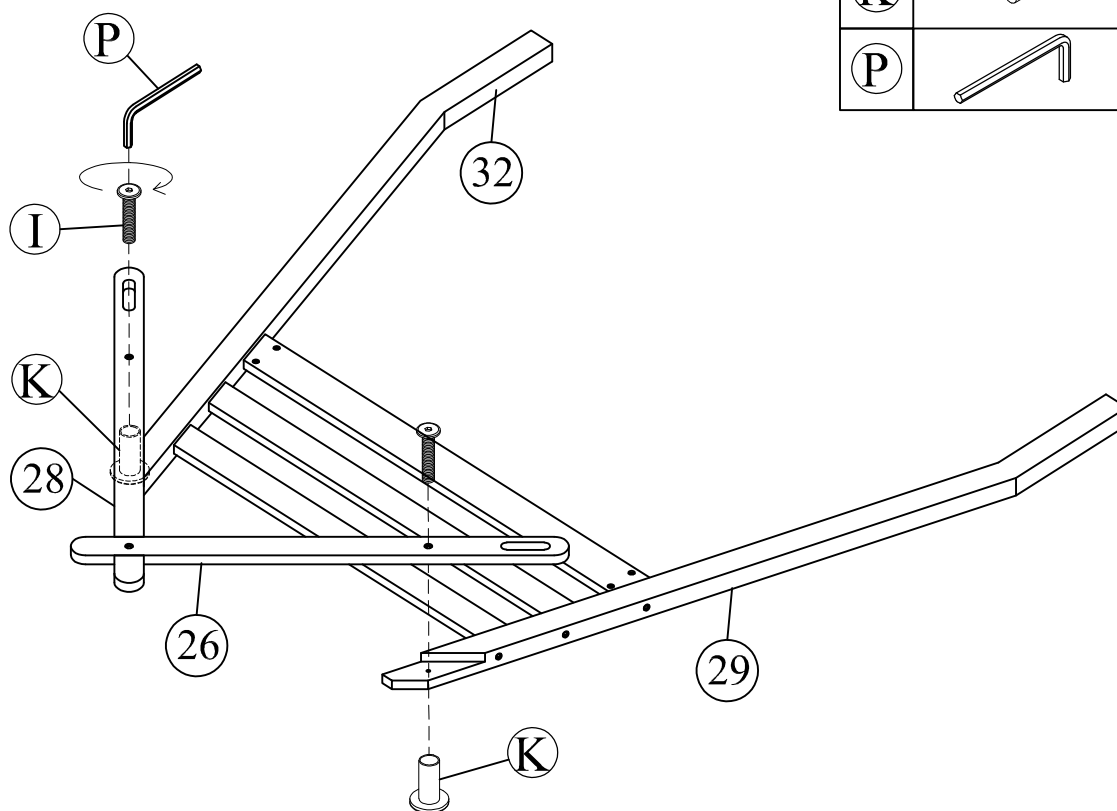
(P)		1pc
(A)		8pcs
(D)		6pcs




### STEP 3:



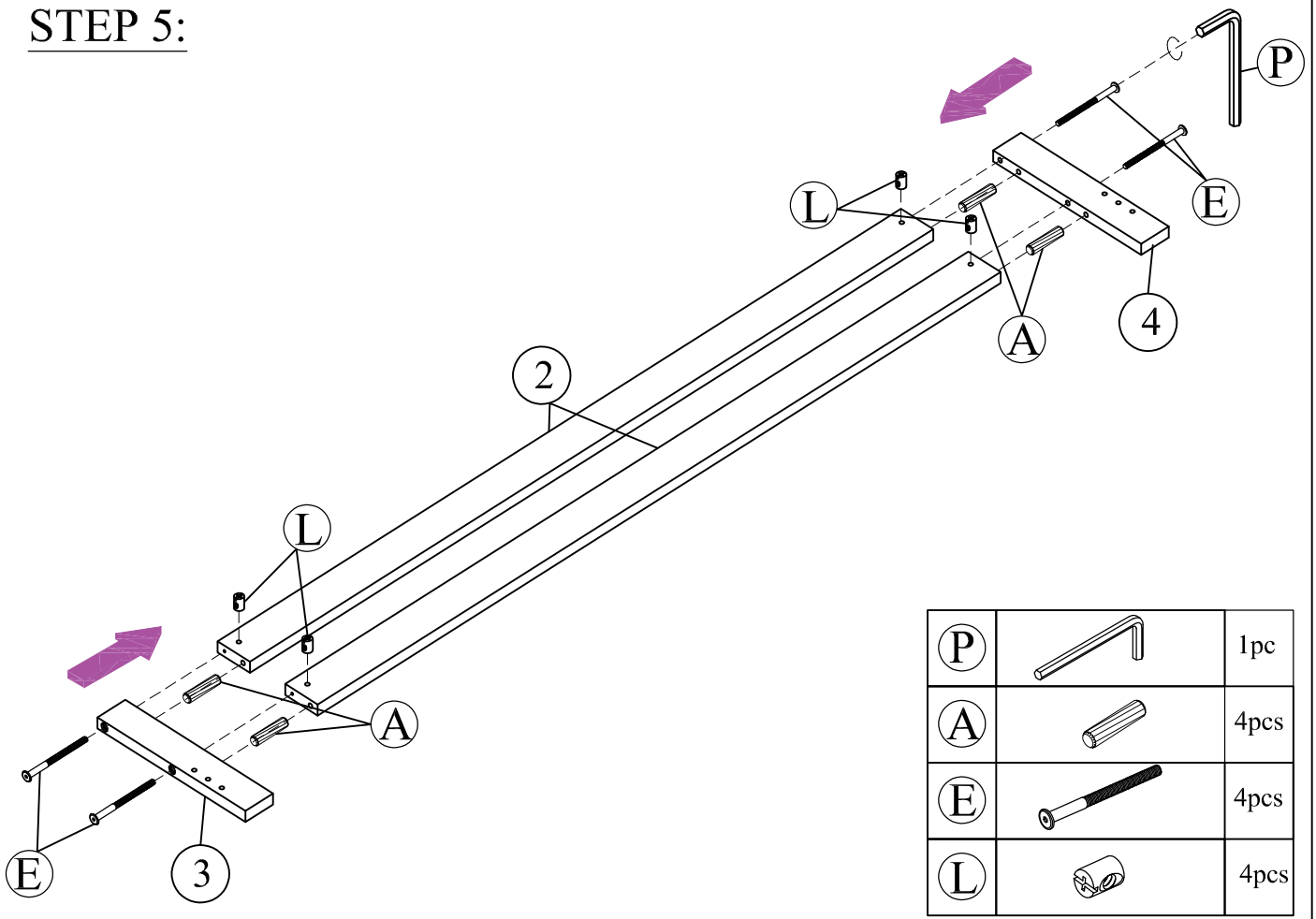
I		2pcs
K		2pcs
P		1pc

### STEP 4:



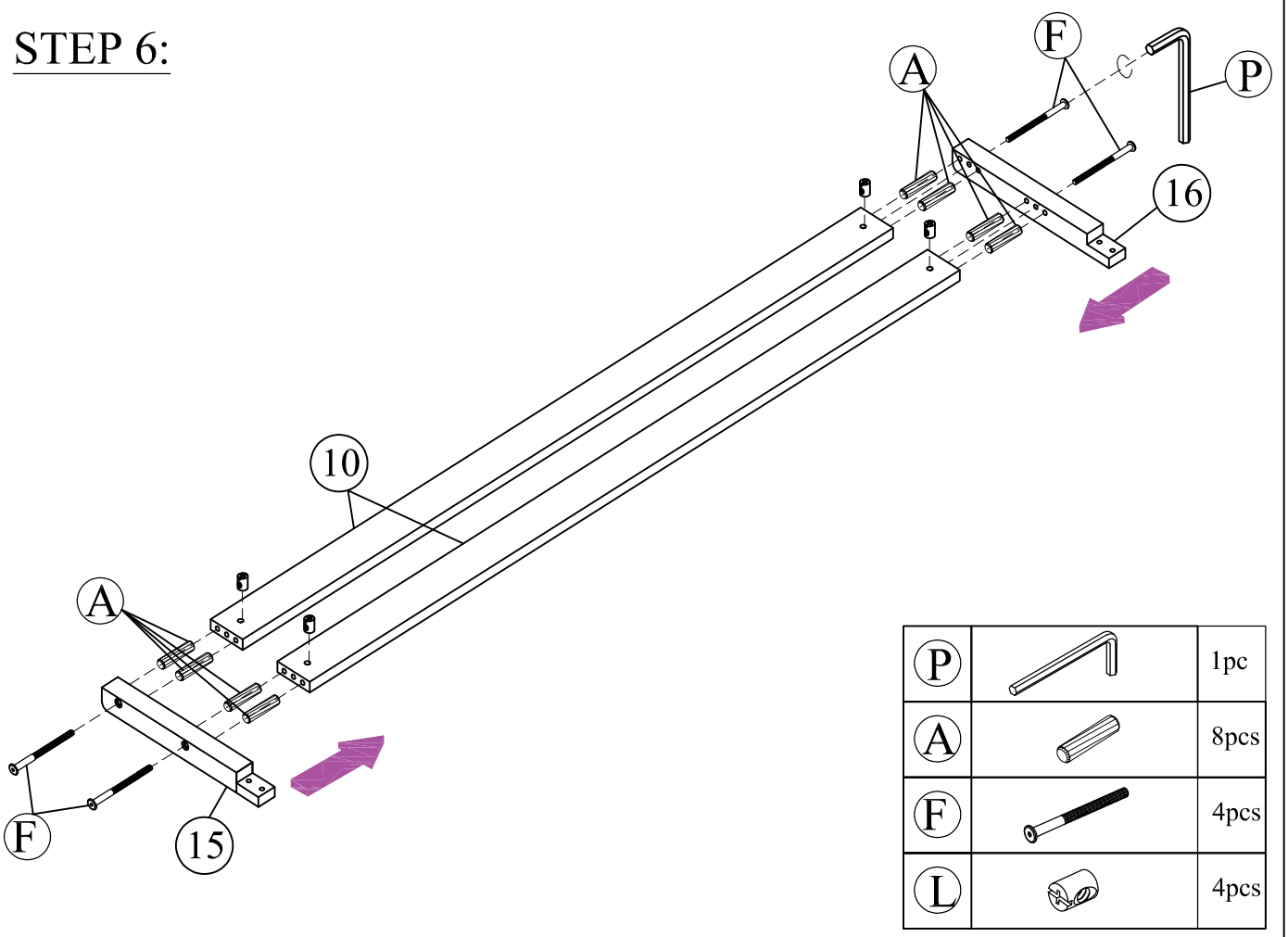
I		2pcs
K		2pcs
P		1pc

**STEP 5:**



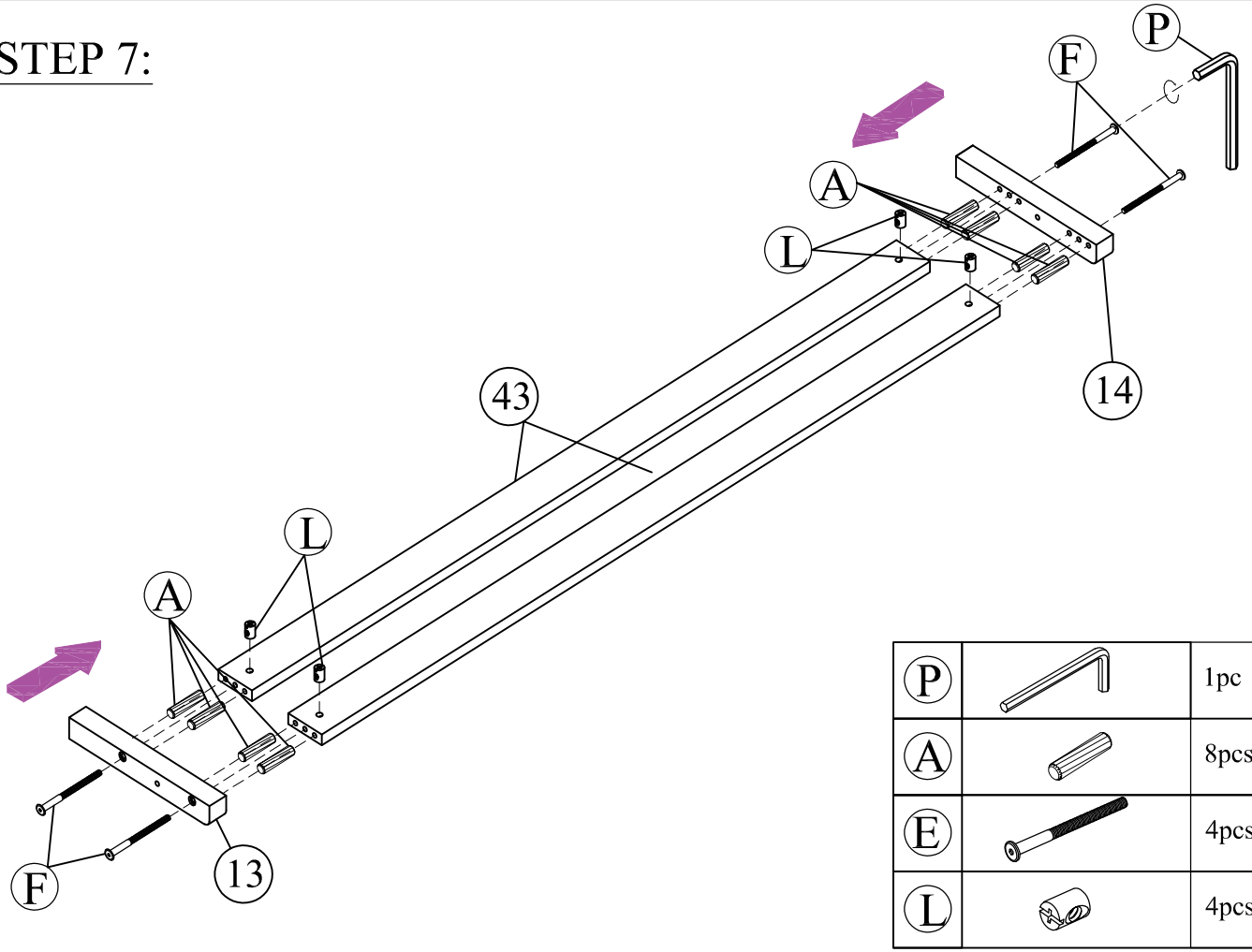
(P)		1pc
(A)		4pcs
(E)		4pcs
(L)		4pcs

**STEP 6:**



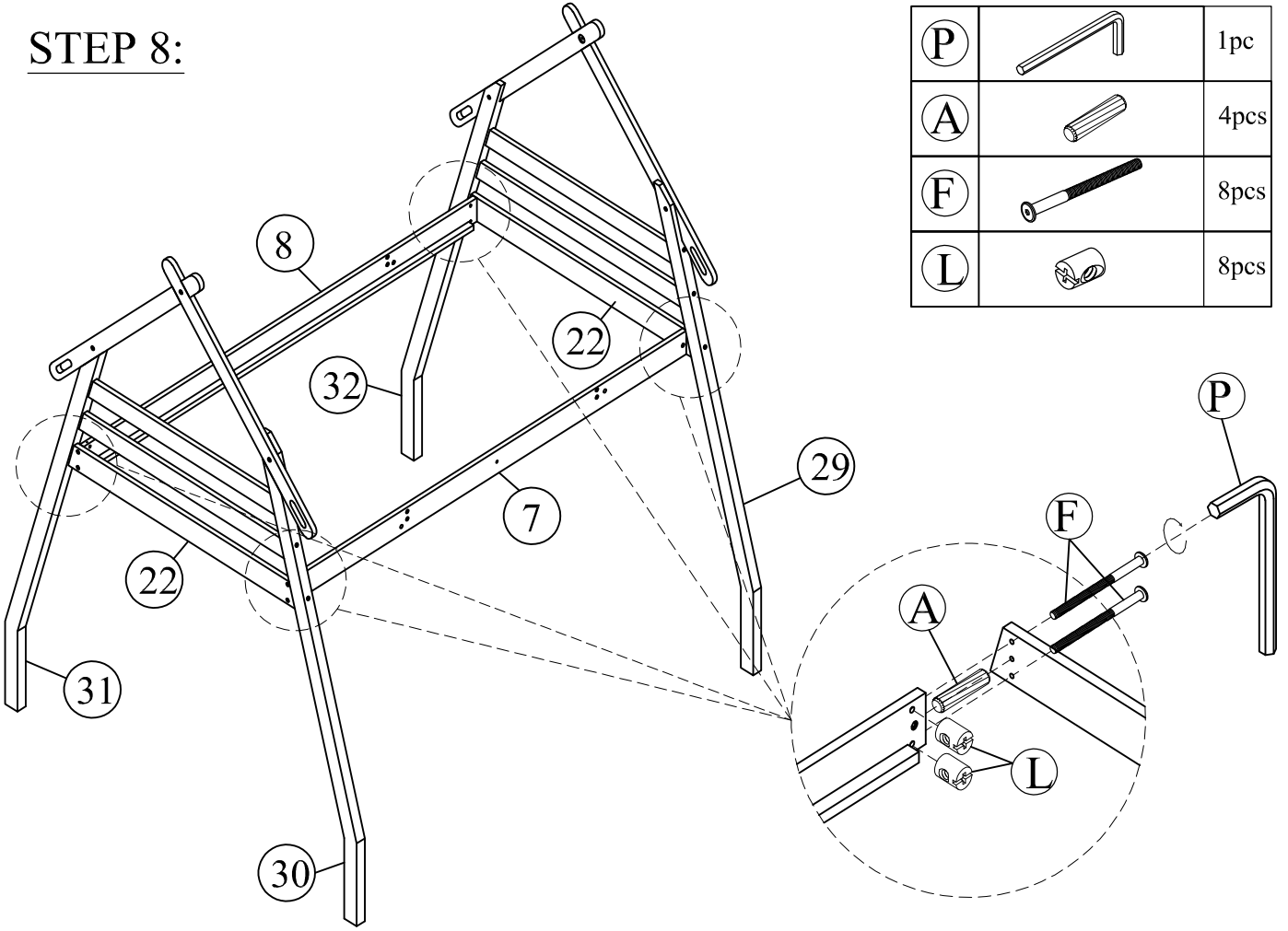
(P)		1pc
(A)		8pcs
(F)		4pcs
(L)		4pcs

**STEP 7:**



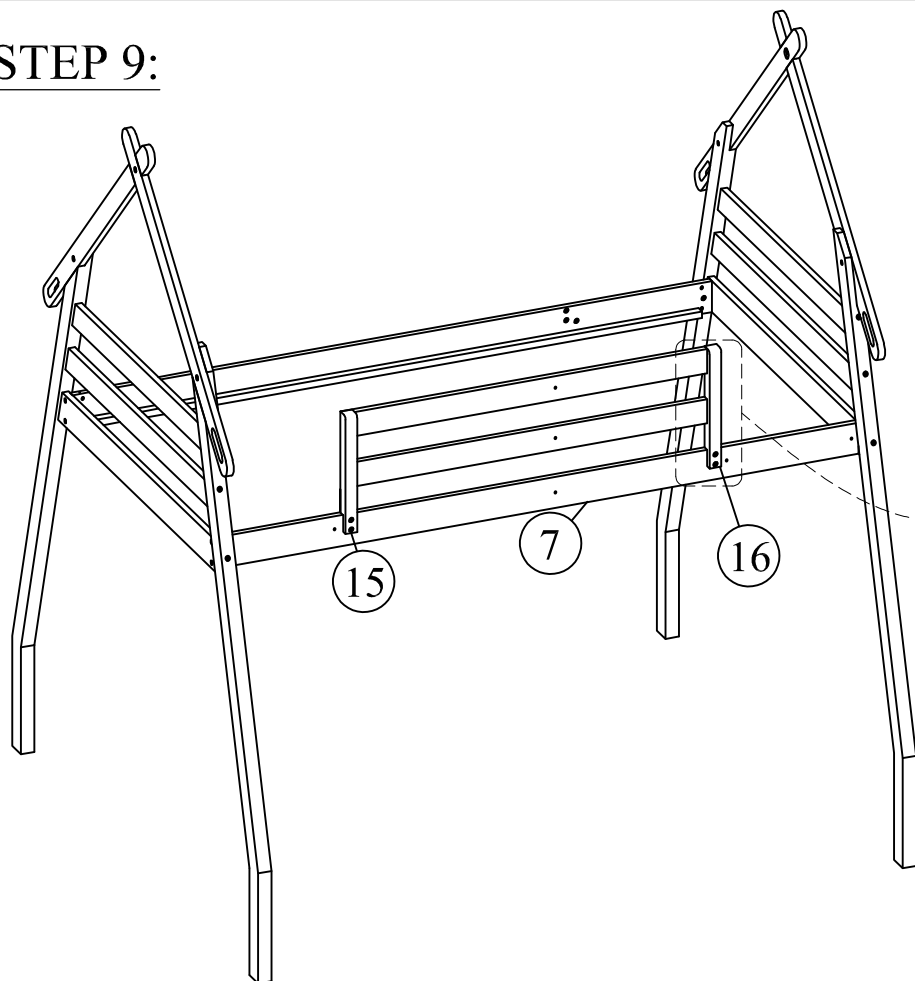
(P)		1pc
(A)		8pcs
(E)		4pcs
(L)		4pcs



**STEP 8:**

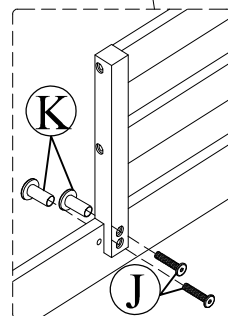


(P)		1pc
(A)		4pcs
(F)		8pcs
(L)		8pcs

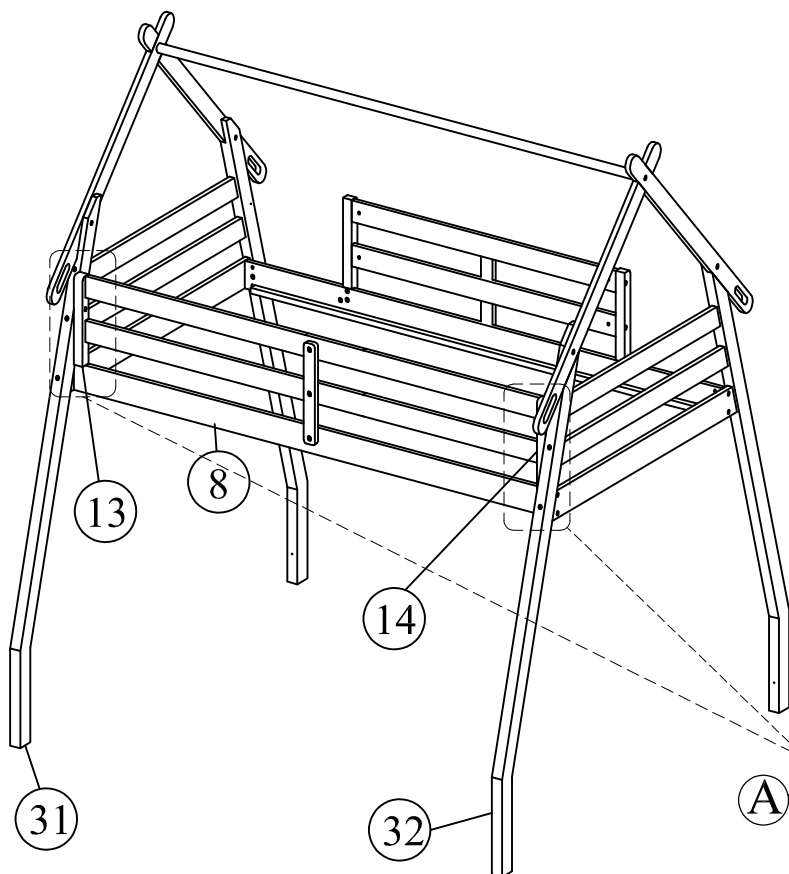
### STEP 9:






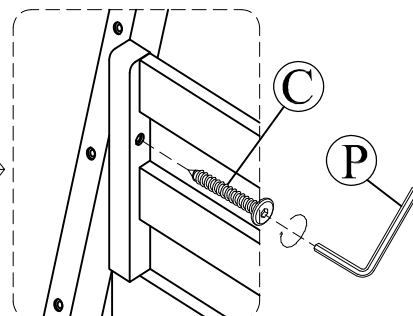
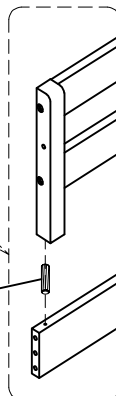
ⓐ		2pcs
ⓑ		2pcs



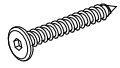
### STEP 10:

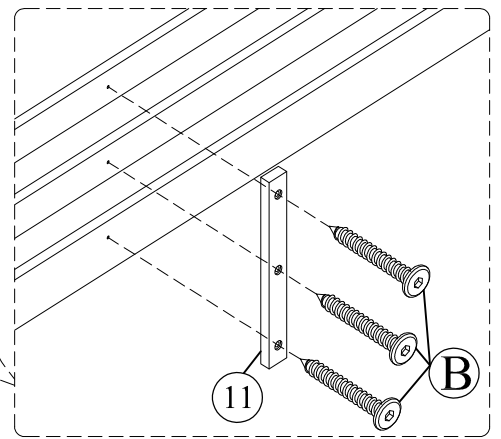
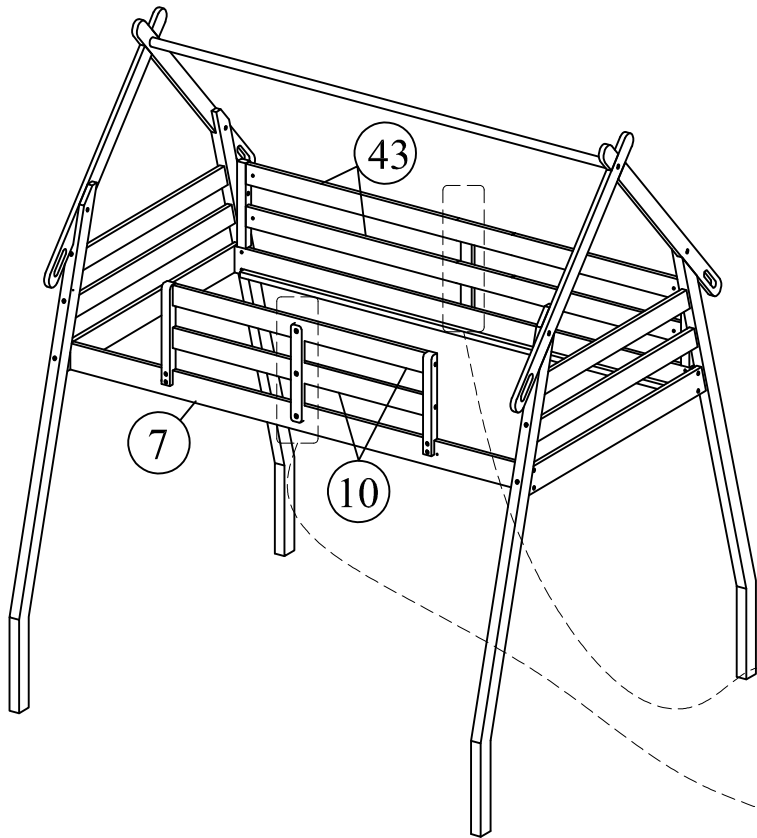


ⓒ		2pcs
ⓐ		2pcs
ⓑ		1pc





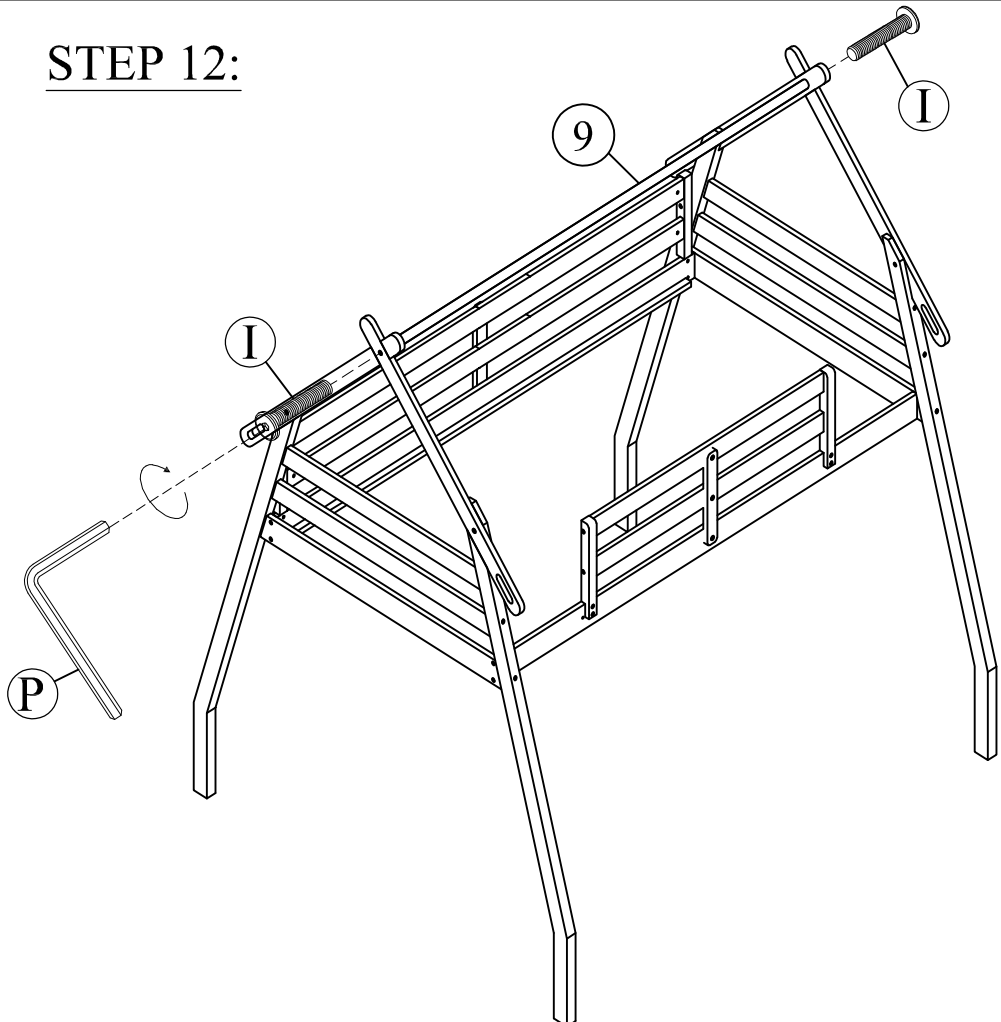
**STEP 11:**

<b>(B)</b>		6pcs
------------	---	------

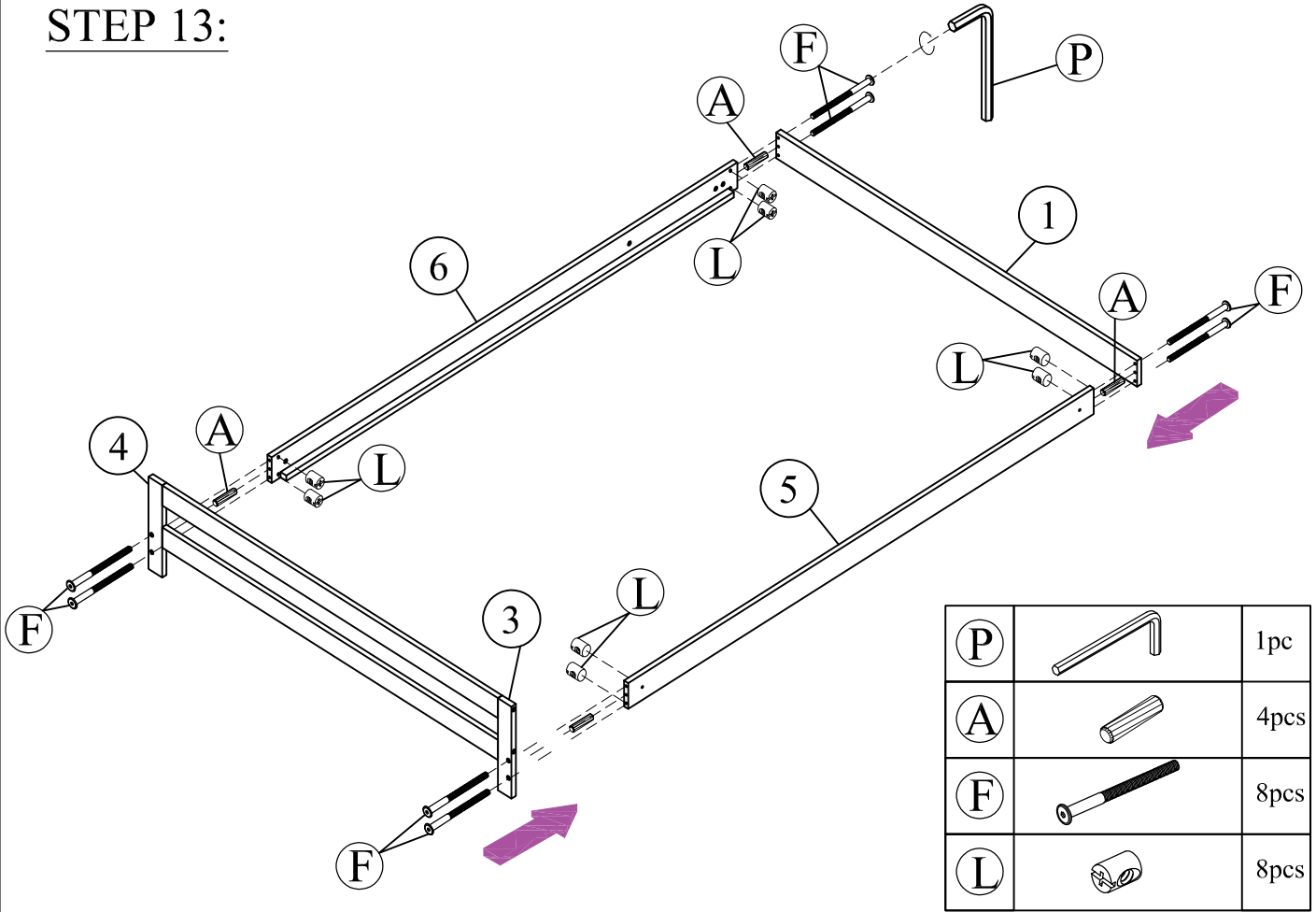


**STEP 12:**

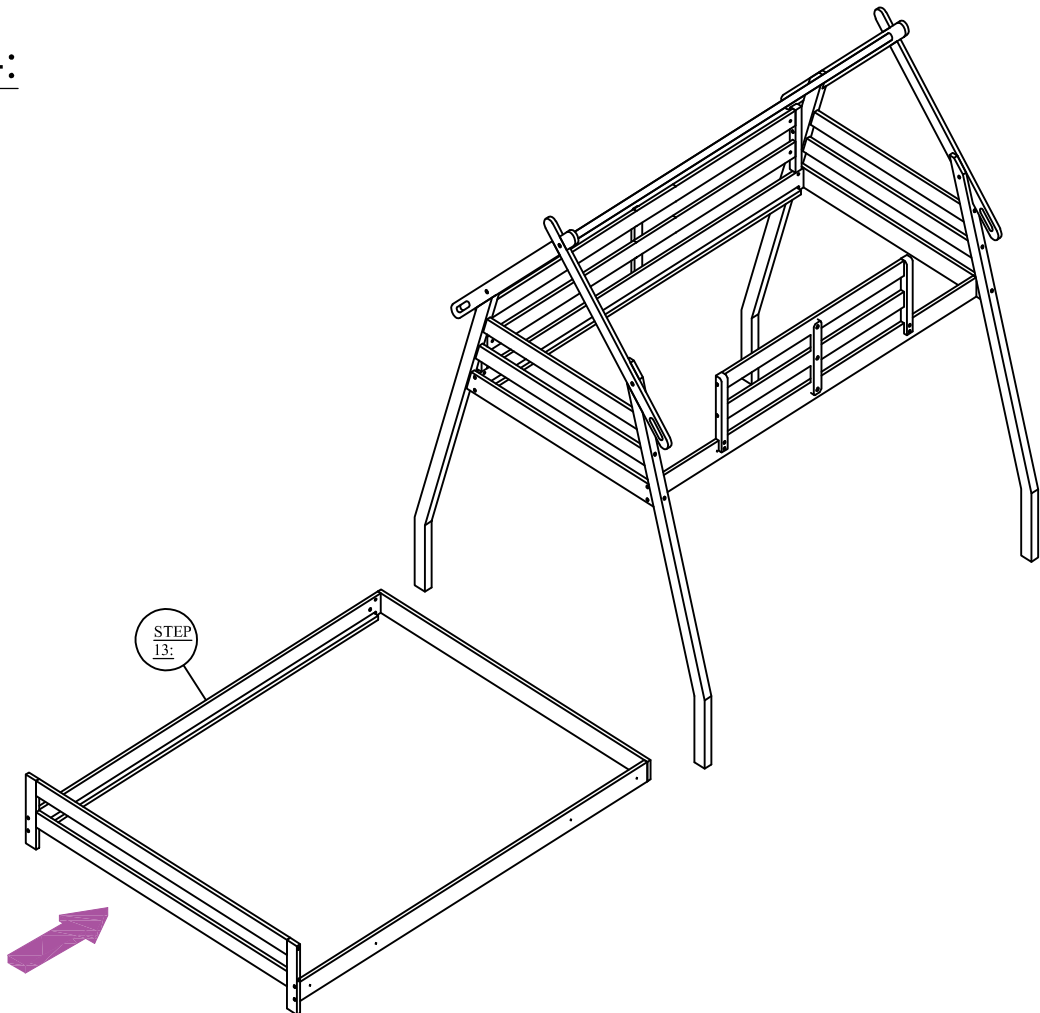
<b>(P)</b>		1pc
<b>(I)</b>		2pcs



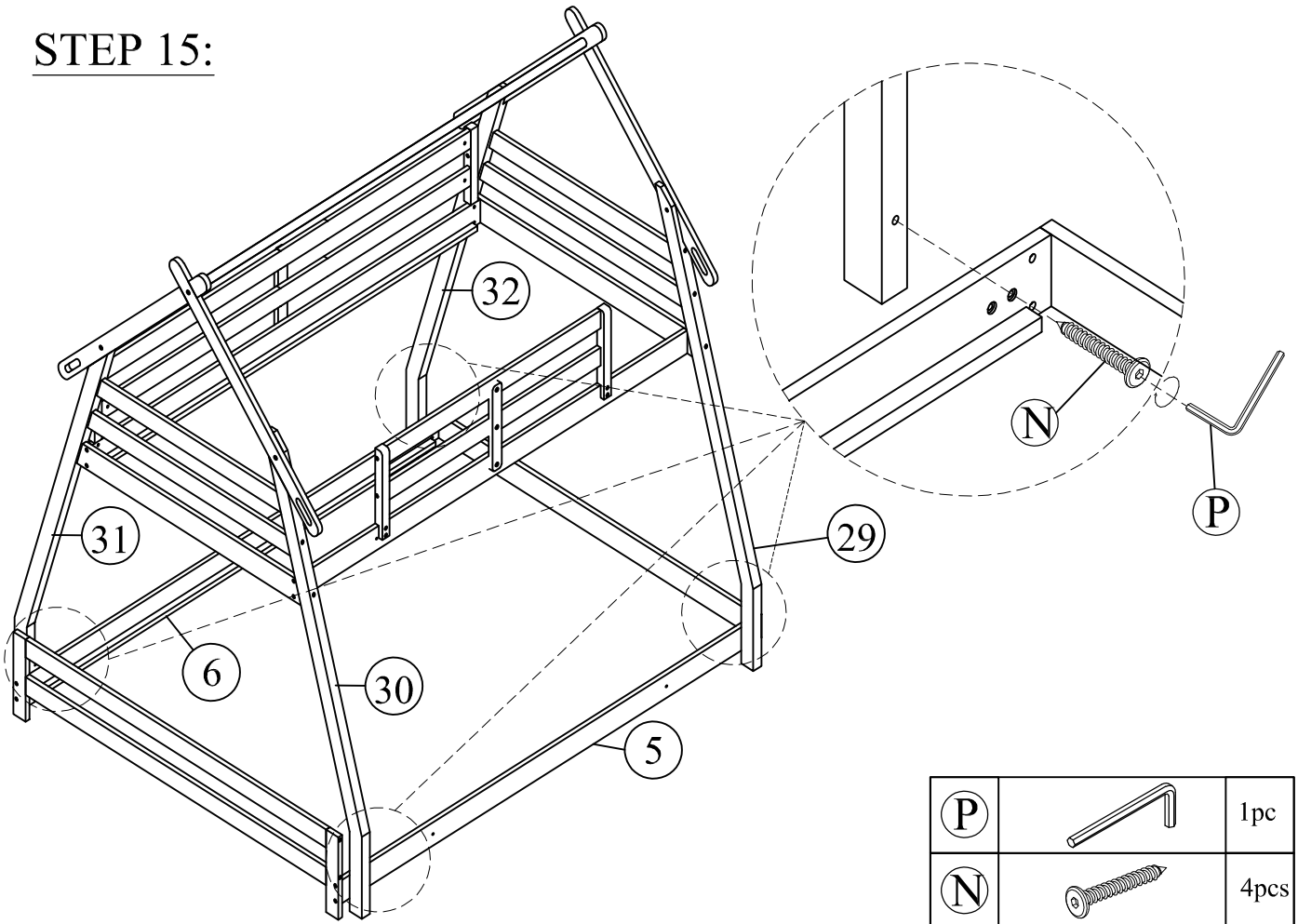
**STEP 13:**


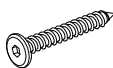


**STEP 14:**

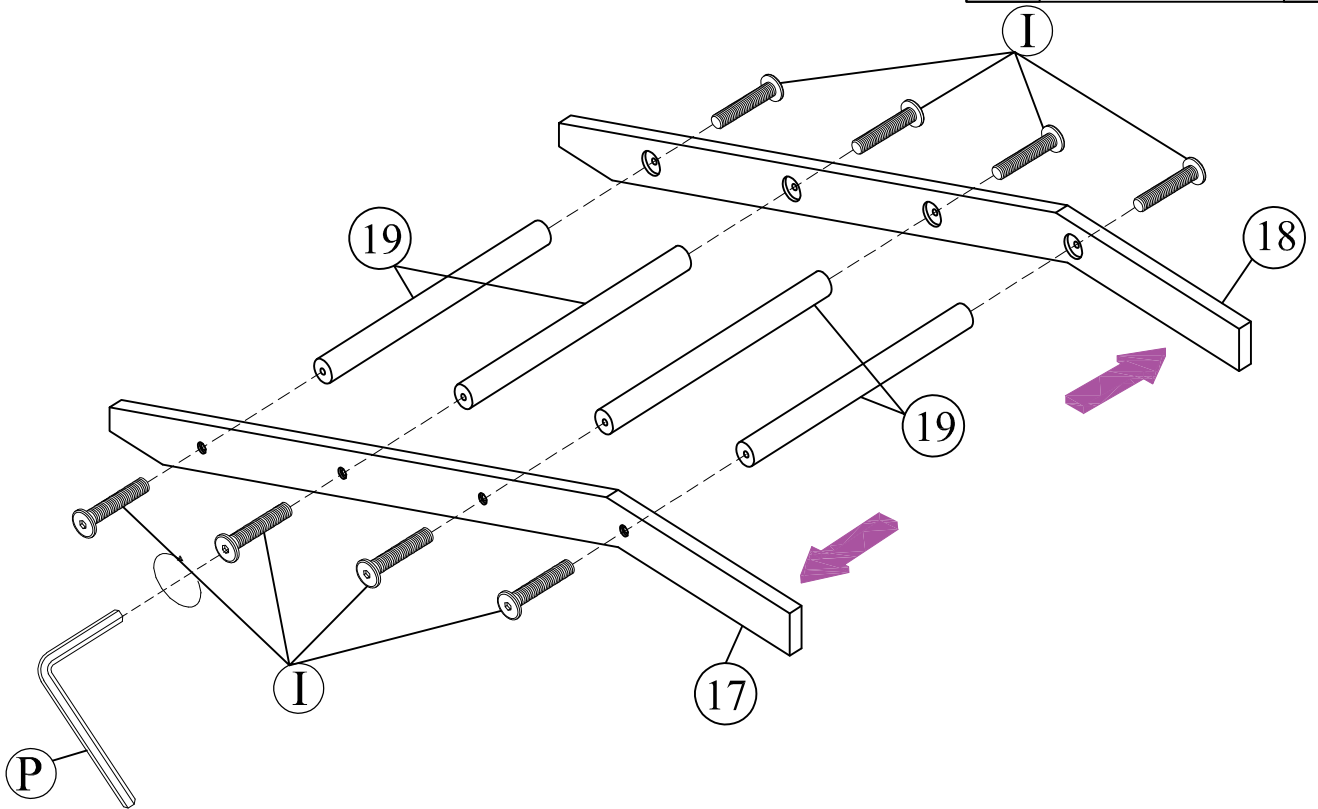


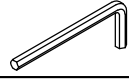

**STEP 15:**



(P)		1pc
(N)		4pcs


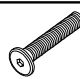
**STEP 16:**

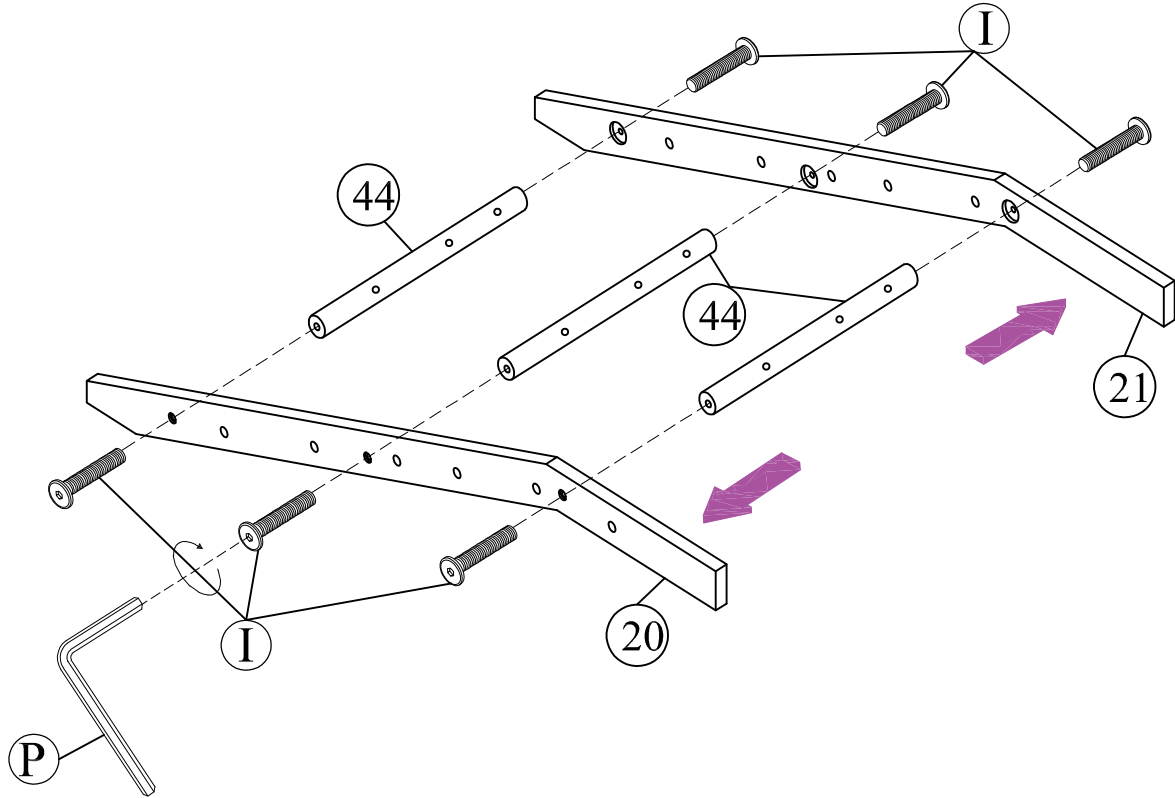


(P)		1pc
(I)		8pcs




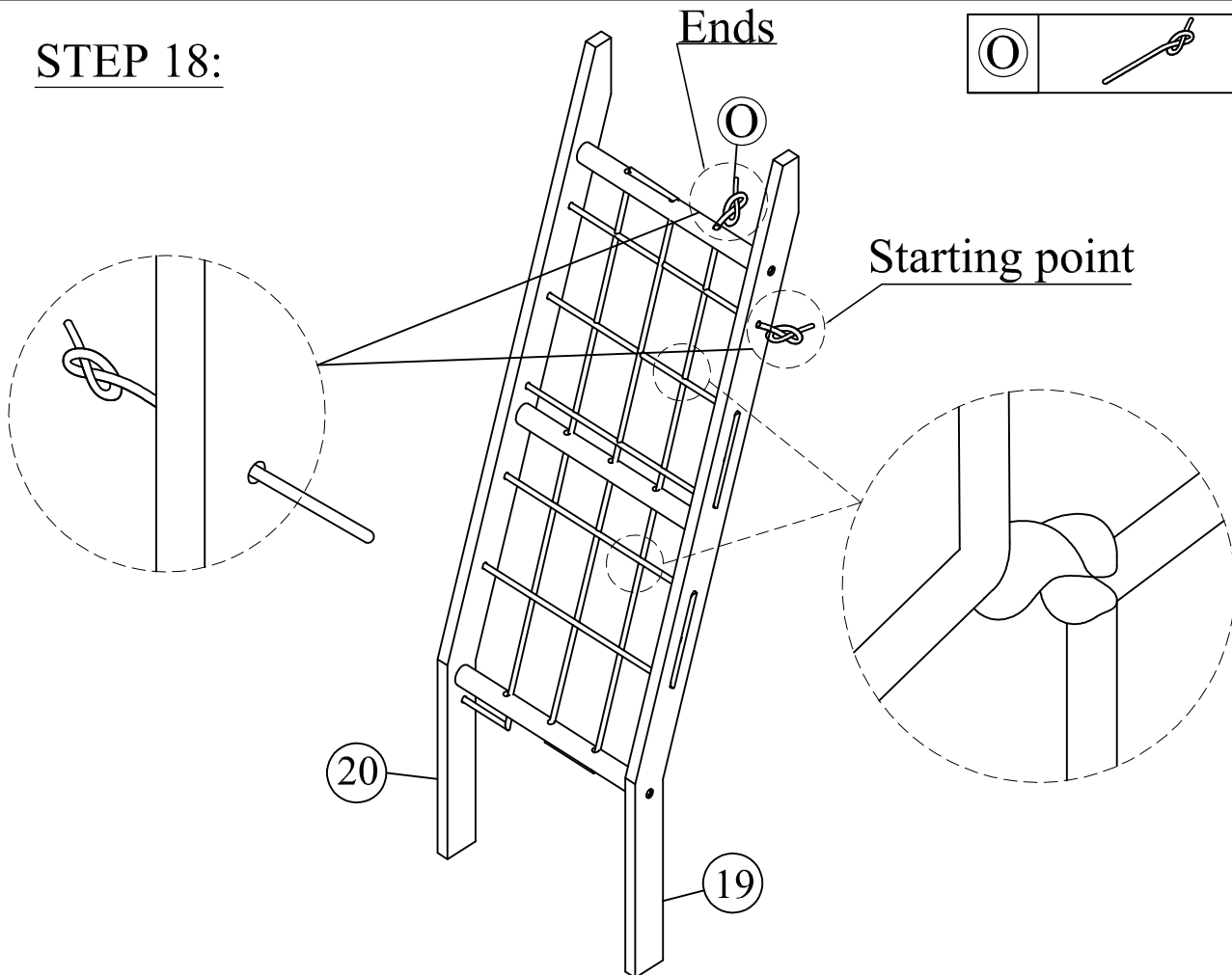
**STEP 17:**

<b>(P)</b>		1pc
<b>(I)</b>		6pcs

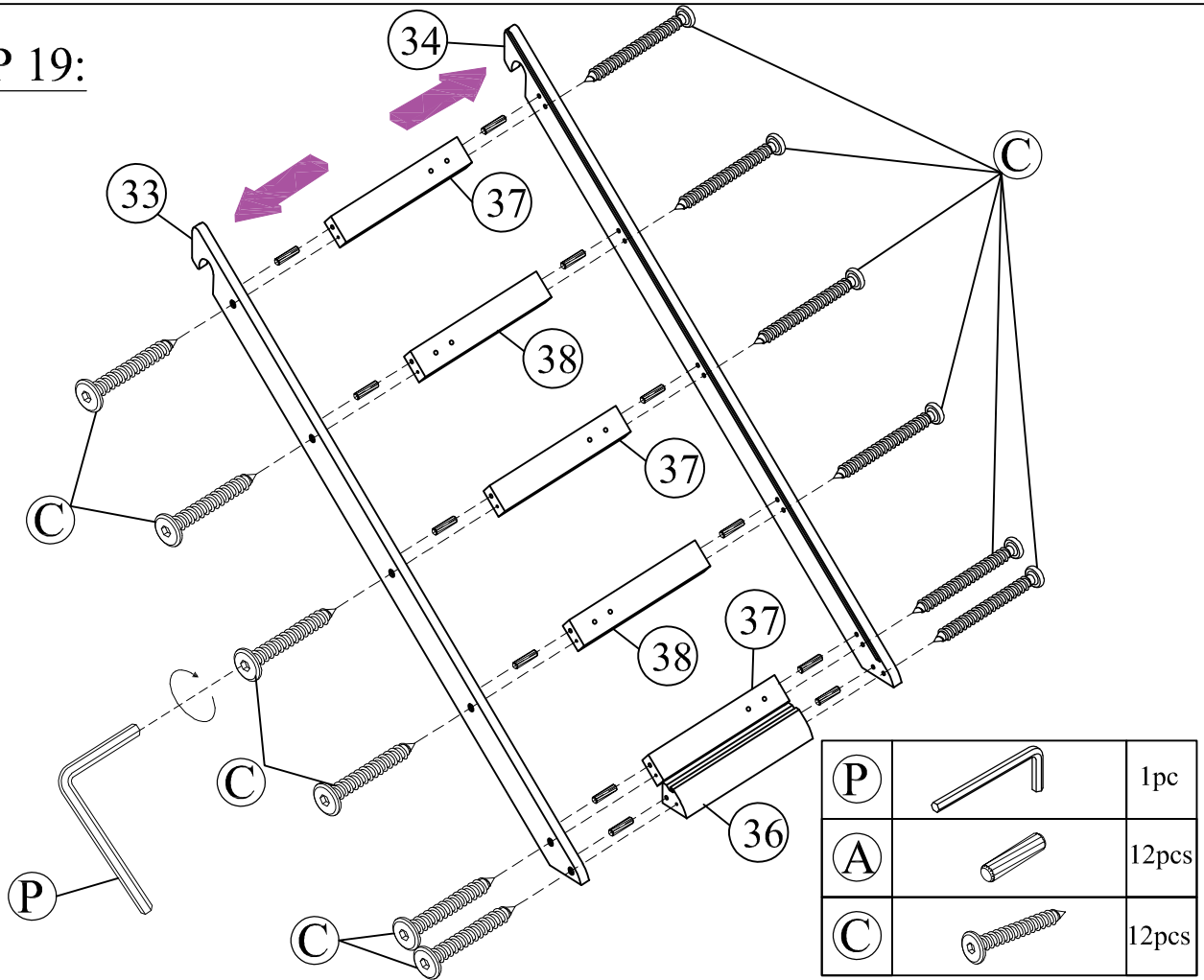


**STEP 18:**

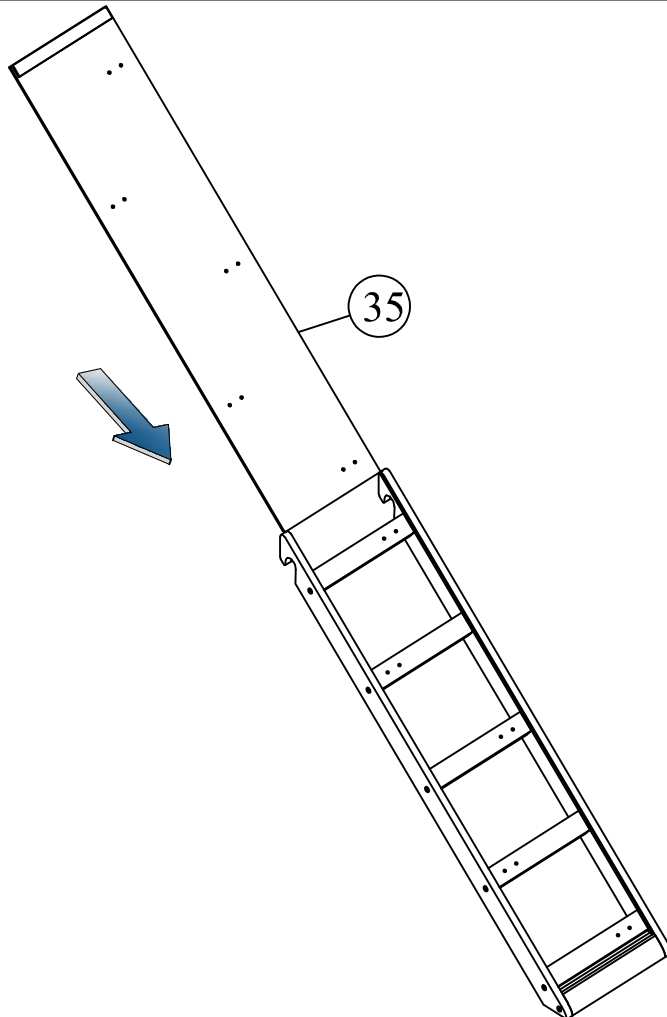
<b>(O)</b>		1pc
------------	---	-----




**STEP 19:**

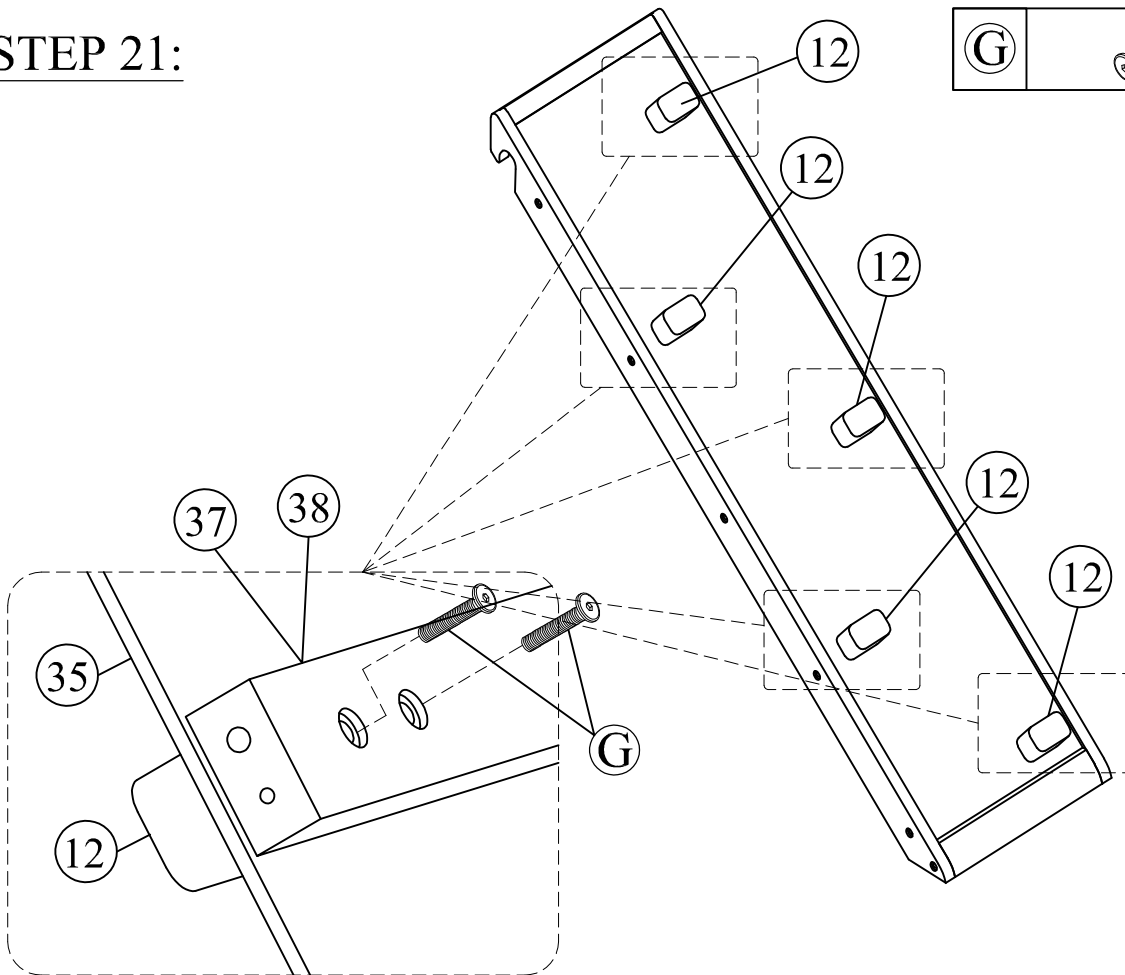


**STEP 20:**





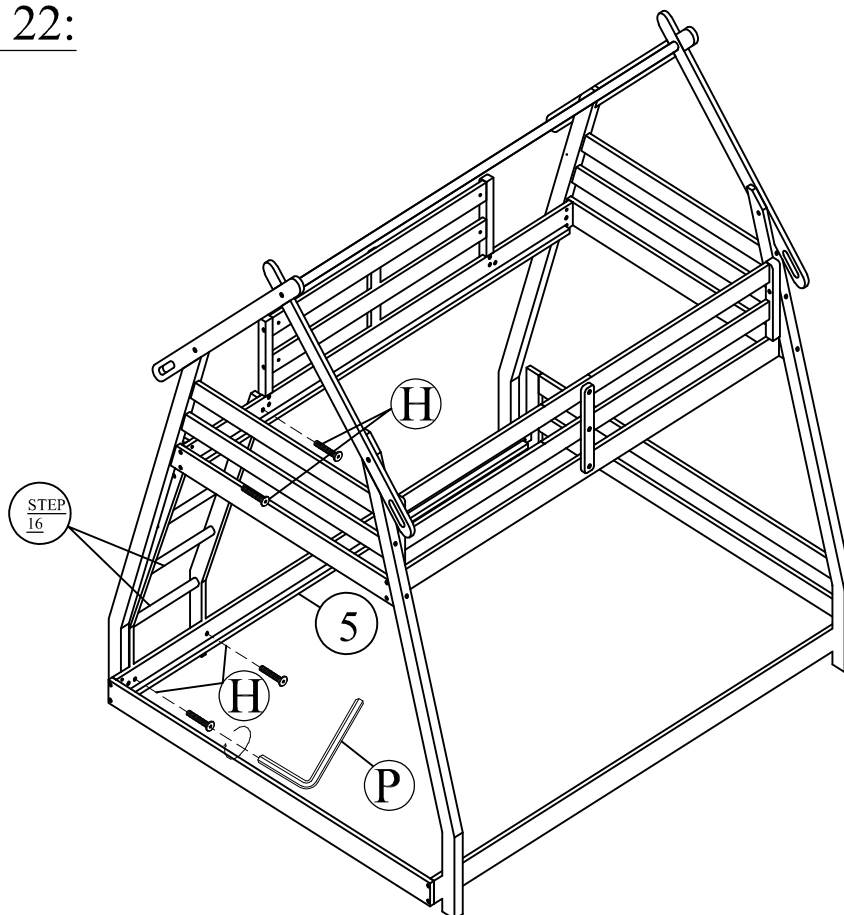
**STEP 21:**

G		10pcs
---	---	-------





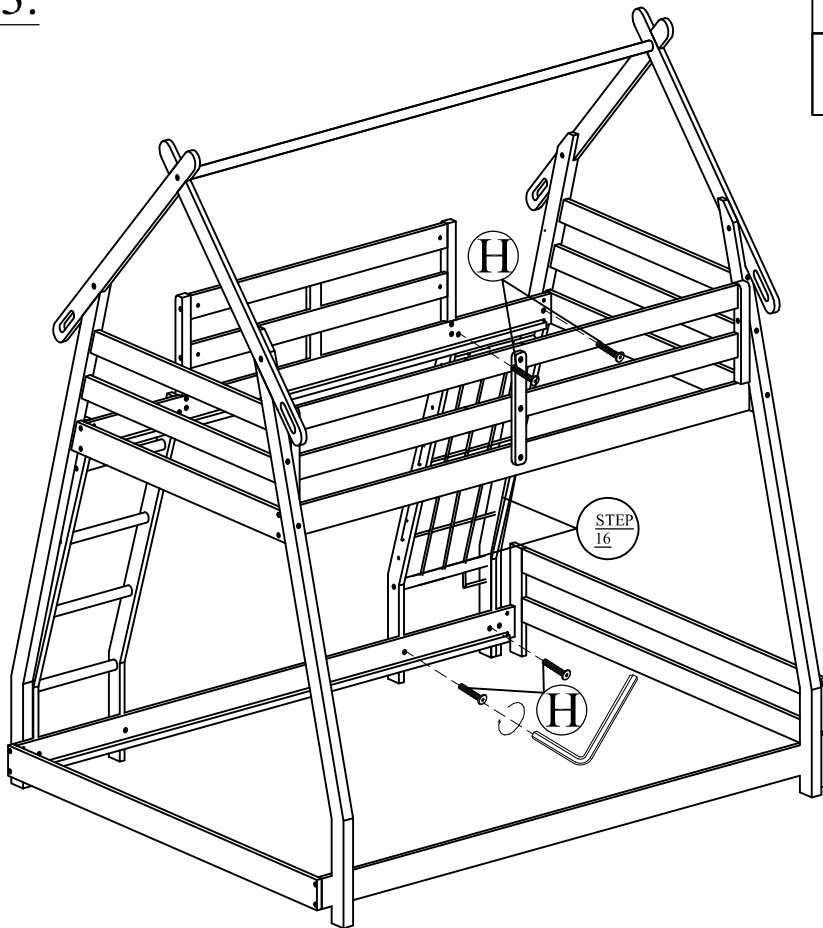
**STEP 22:**

P		1pc
H		4pcs

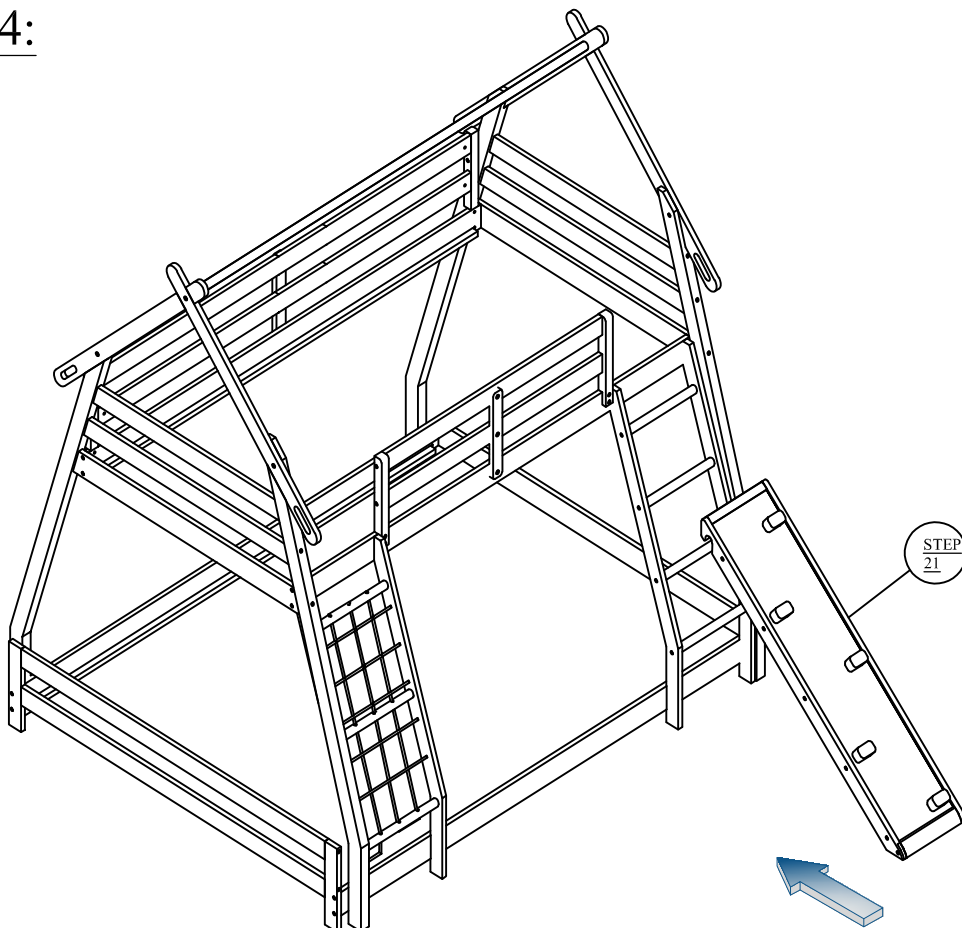


## STEP 23:

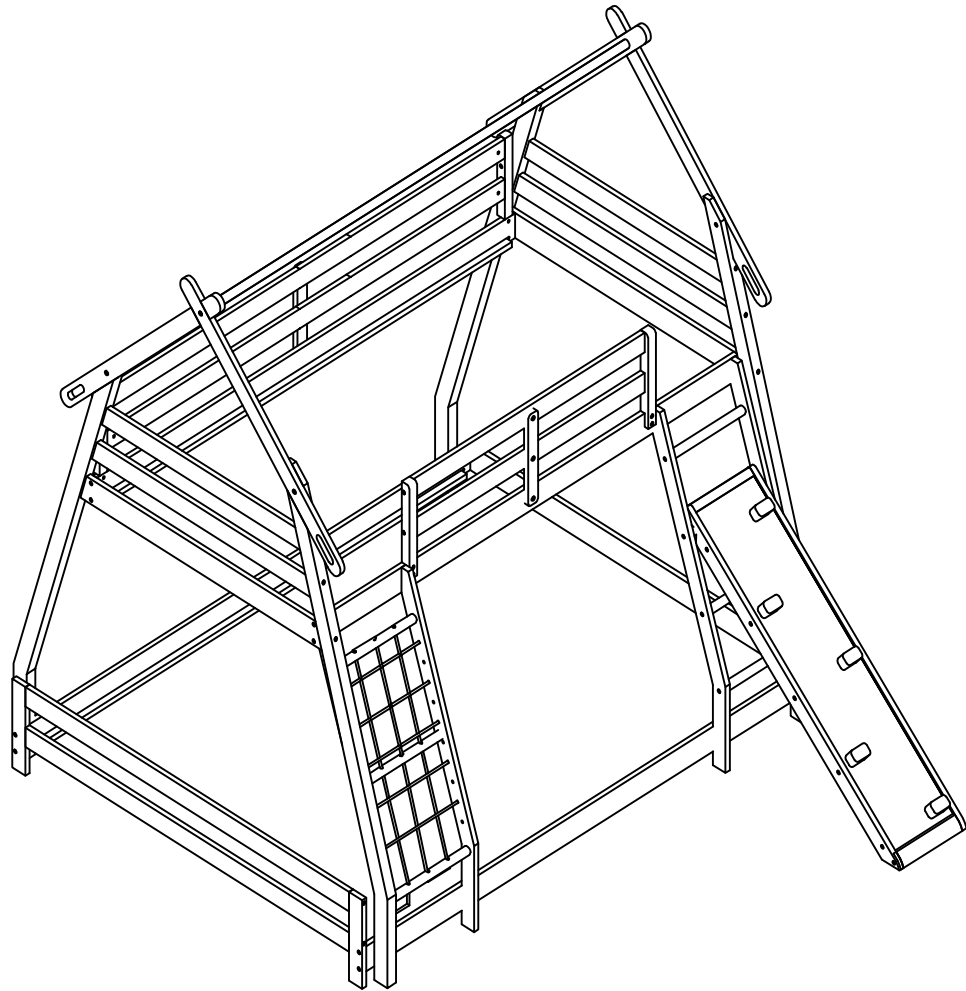
<b>P</b>		1pc
<b>H</b>		4pcs




## STEP 24:

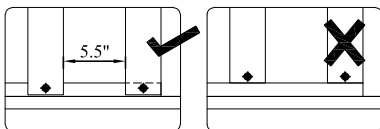
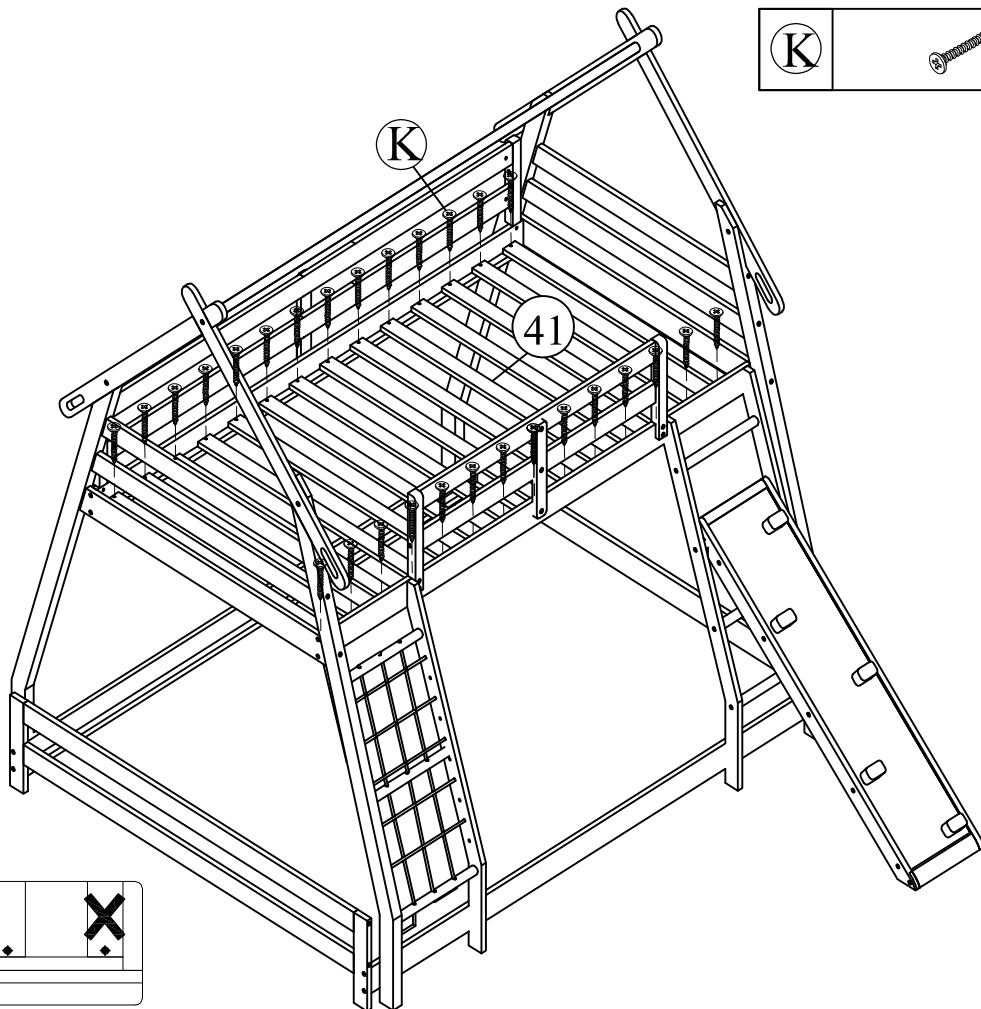


**STEP 25:**






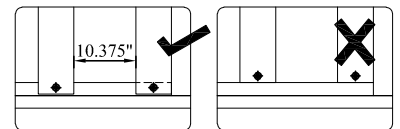
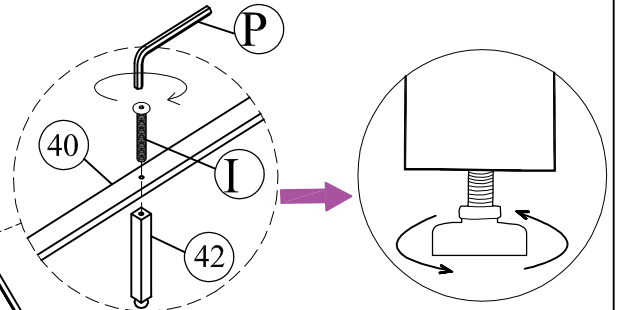
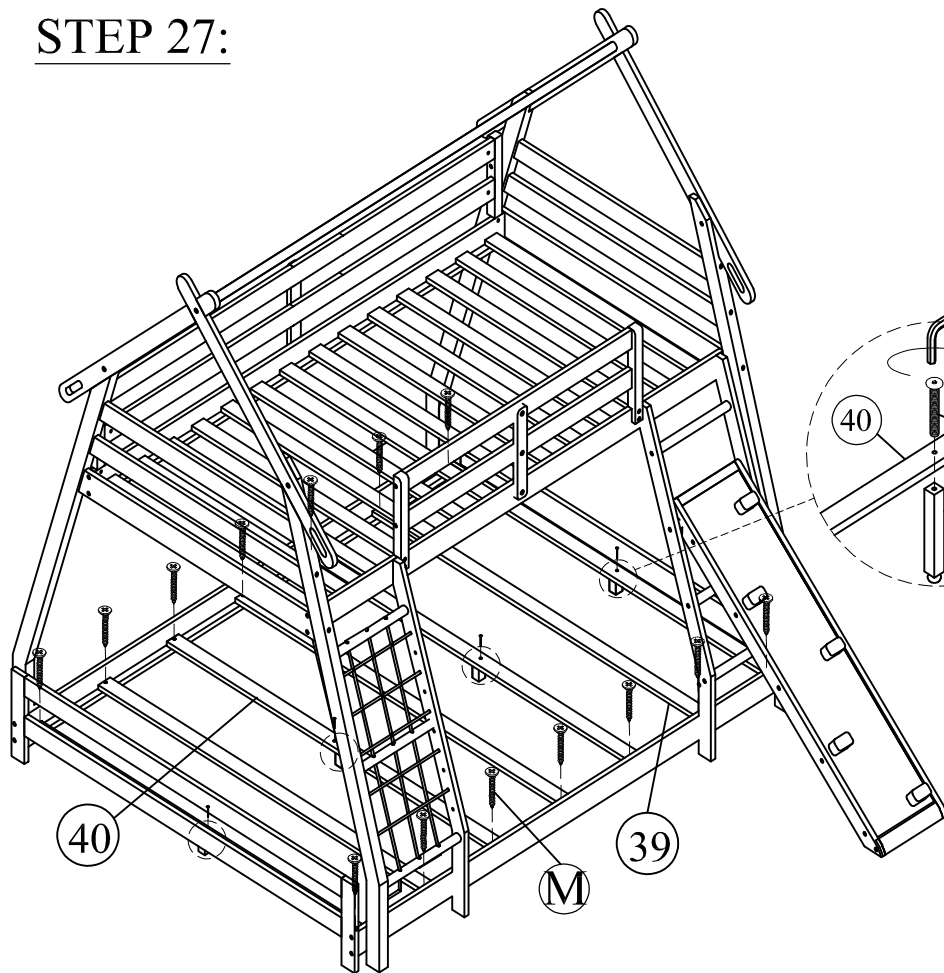
**STEP 26:**

K		28pcs
---	---	-------

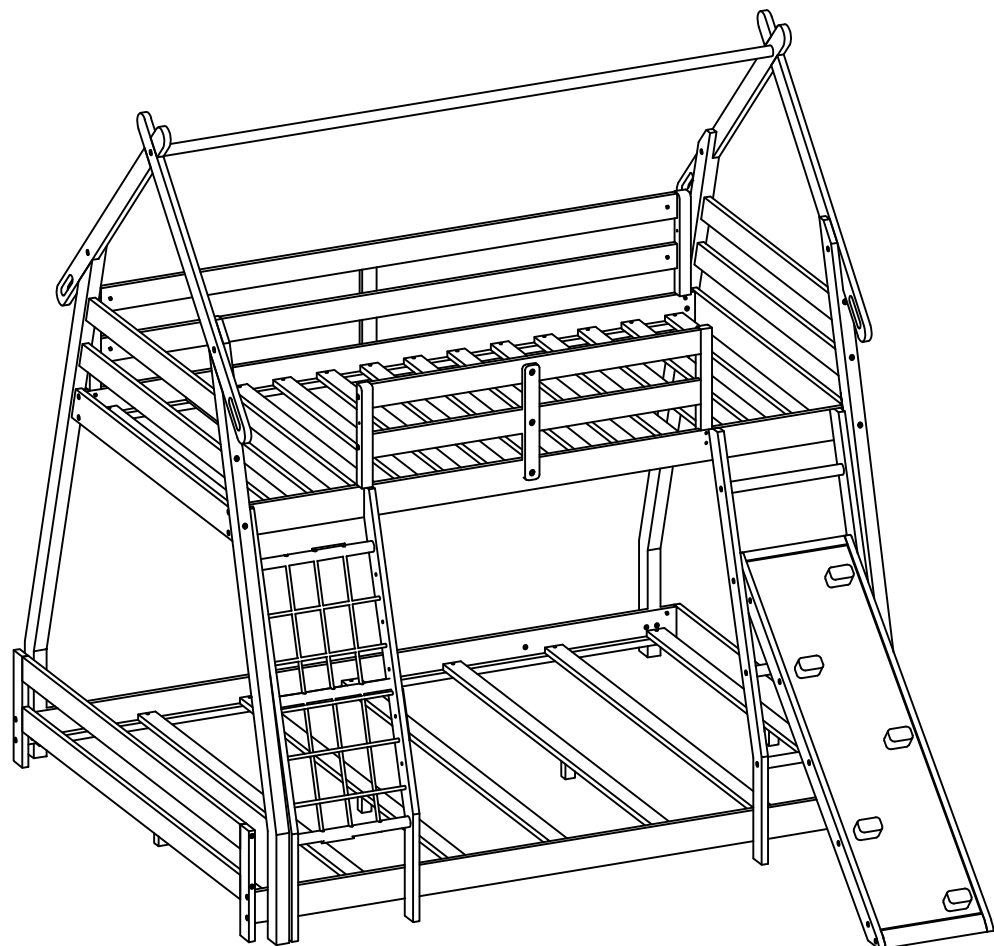


# STEP 27:

(M)		14pcs
(I)		4pcs
(P)		1pc



# STEP 28:



FINAL:

