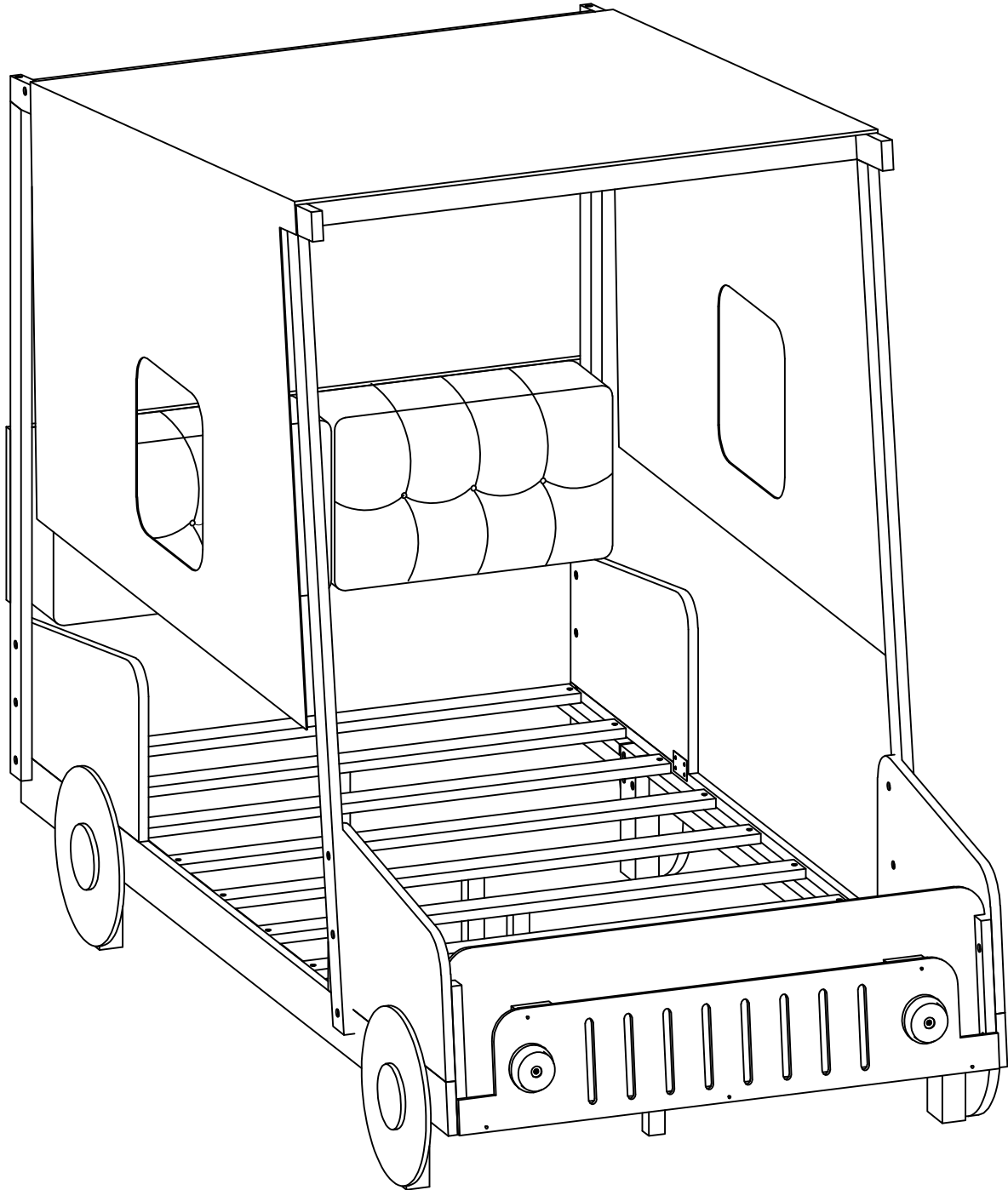
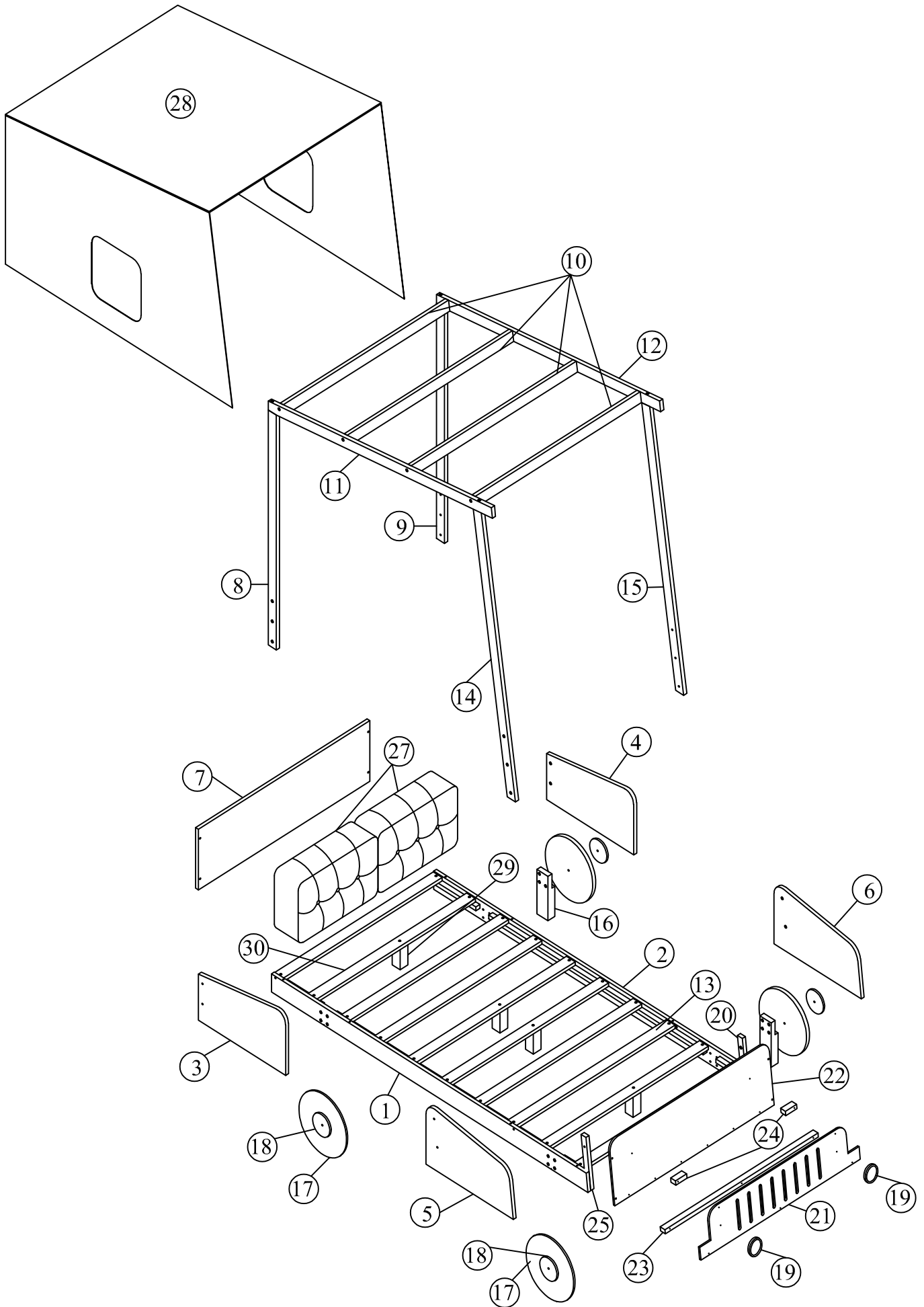


# ASSEMBLY INSTRUCTION



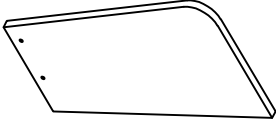
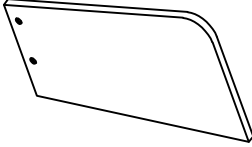
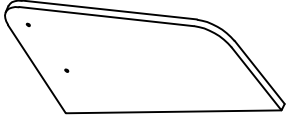
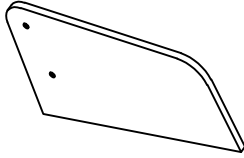
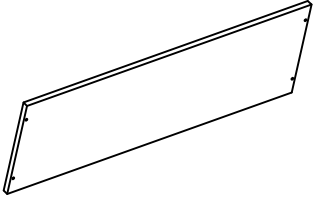

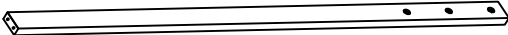
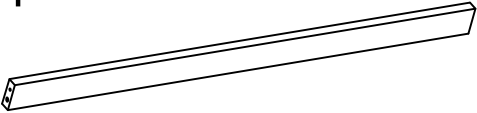
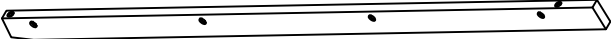
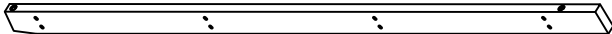
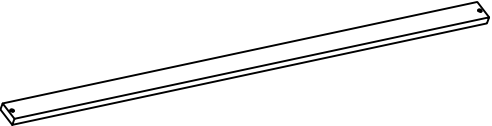
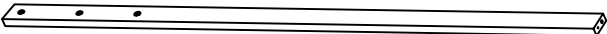
**SKU CODE: WF309289**



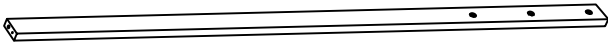
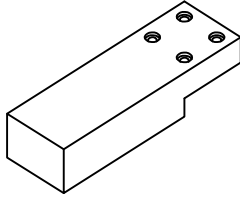
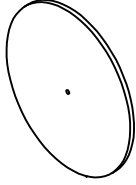

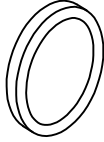
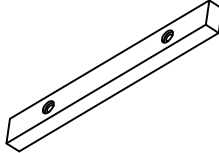
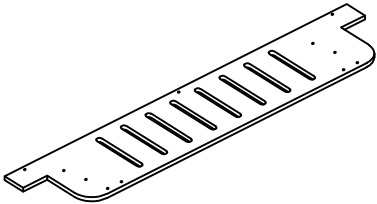
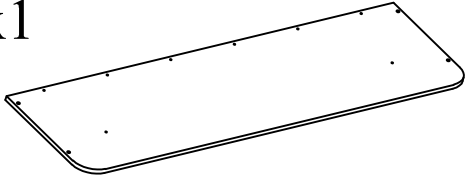
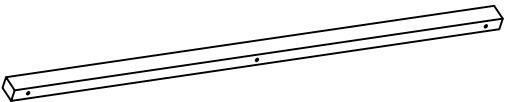
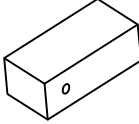
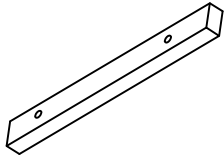
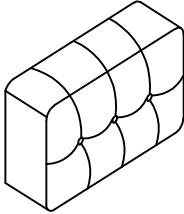
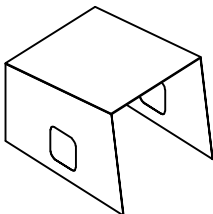
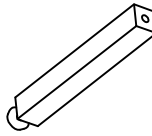
Detail:



## Part List (WF309289 )

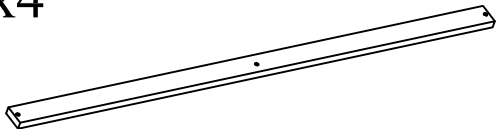
|  |   |
|--|---|
| <p>① x1</p>  <p style="text-align: center;"><b>Side Rail</b></p>        | <p>② x1</p>  <p style="text-align: center;"><b>Side Rail</b></p>        |
| <p>③ x1</p>  <p style="text-align: center;"><b>Left Panel</b></p>       | <p>④ x1</p>  <p style="text-align: center;"><b>Right Panel</b></p>     |
| <p>⑤ x1</p>  <p style="text-align: center;"><b>Left Panel</b></p>       | <p>⑥ x1</p>  <p style="text-align: center;"><b>Right Panel</b></p>     |
| <p>⑦ x1</p>  <p style="text-align: center;"><b>Back Panel</b></p>     | <p>⑧ x1</p>  <p style="text-align: center;"><b>Back Left Leg</b></p>  |
| <p>⑨ x1</p>  <p style="text-align: center;"><b>Back Right Leg</b></p> | <p>⑩ x4</p>  <p style="text-align: center;"><b>Roof Rails</b></p>     |
| <p>⑪ x1</p>  <p style="text-align: center;"><b>Roof Rails</b></p>     | <p>⑫ x1</p>  <p style="text-align: center;"><b>Roof Rails</b></p>     |
| <p>⑬ x6</p>  <p style="text-align: center;"><b>Slats</b></p>          | <p>⑭ x1</p>  <p style="text-align: center;"><b>Front Left Leg</b></p> |

## Part List (WF309289 )

|   |   |
|---|---|
| <p>①⑤ x1</p>  <p style="text-align: center;"><b>Front Right Leg</b></p>        | <p>①⑥ x4</p>  <p style="text-align: center;"><b>Support Side Rails</b></p>     |
| <p>①⑦ x4</p>  <p style="text-align: center;"><b>Decorate</b></p>               | <p>①⑧ x4</p>  <p style="text-align: center;"><b>Decorate</b></p>               |
| <p>①⑨ x2</p>  <p style="text-align: center;"><b>Decorate</b></p>               | <p>②⑦ x1</p>  <p style="text-align: center;"><b>Connect wooden stick</b></p>   |
| <p>②① x1</p>  <p style="text-align: center;"><b>Footboard Panel</b></p>      | <p>②② x1</p>  <p style="text-align: center;"><b>Footboard Panel</b></p>       |
| <p>②③ x1</p>  <p style="text-align: center;"><b>Connect wooden stick</b></p> | <p>②④ x2</p>  <p style="text-align: center;"><b>Connect wooden stick</b></p> |
| <p>②⑤ x1</p>  <p style="text-align: center;"><b>Connect wooden stick</b></p> | <p>②⑦ x2</p>  <p style="text-align: center;"><b>Upholstered fabric</b></p>   |
| <p>②⑧ x1</p>  <p style="text-align: center;"><b>Fabric</b></p>               | <p>②⑨ x4</p>  <p style="text-align: center;"><b>Support Legs</b></p>         |

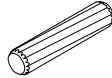
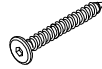

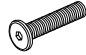
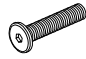
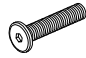



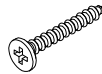
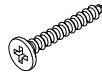

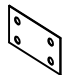
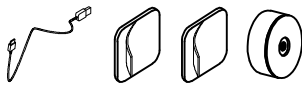

**Part List (WF309289)**

30 x4

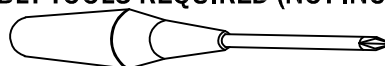


**Slats**


## Hardware List (WF309289 )

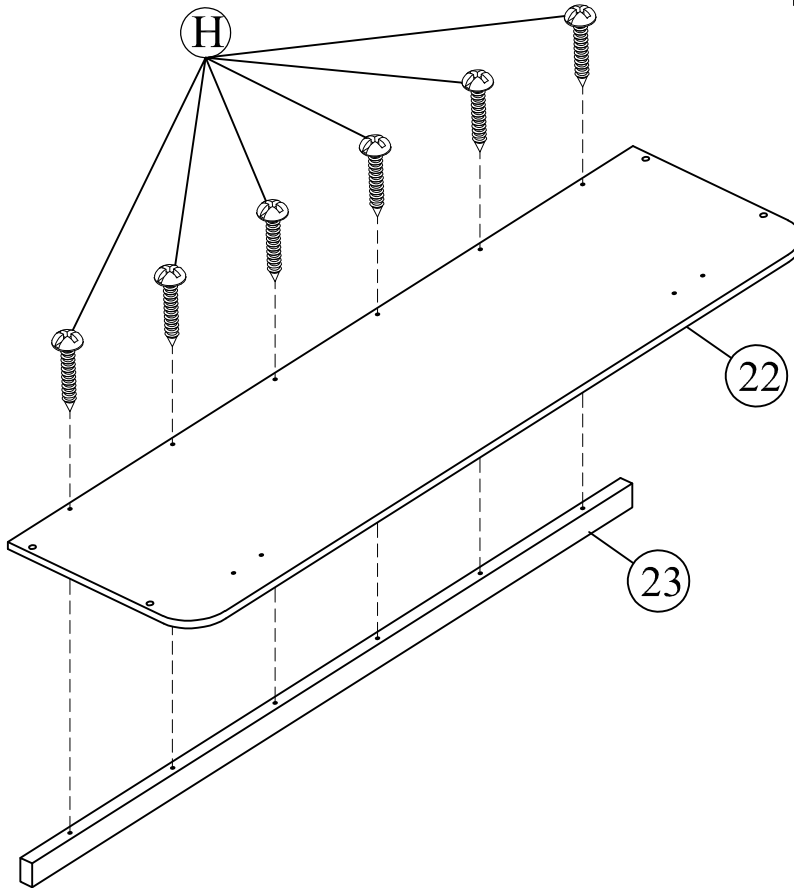
| No. | OUTLOOK   | DESC                     | QTY   |
|-----|---|--------------------------|-------|
| (A) |    | Dowel Ø8*30mm            | 20pcs |
| (B) |    | Screws M6*40mm           | 12pcs |
| (C) |    | Screws M6*70mm           | 4pcs  |
| (D) |    | Bolts M6*25mm            | 4pcs  |
| (E) |    | Bolts M6*30mm            | 20pcs |
| (F) |    | Bolts M6*35mm            | 16pcs |
| (G) |    | Round head screw #8*20mm | 4pcs  |
| (H) |   | Round head screw #8*25mm | 13pcs |
| (I) |  | Round head screw #8*30mm | 4pcs  |
| (J) |  | Flat head screw #8*25mm  | 20pcs |
| (K) |  | Flat head screw #7*12mm  | 8pcs  |
| (L) |  | Allen key 60*22*4mm      | 1pc   |
| (M) |  | Metal rectangle          | 2pcs  |
| (N) |  | Led Light                | 2pcs  |
| (O) |  | Bolts M6*15mm            | 28pcs |

ASSEMBLY TOOLS REQUIRED (NOT INCLUDED)




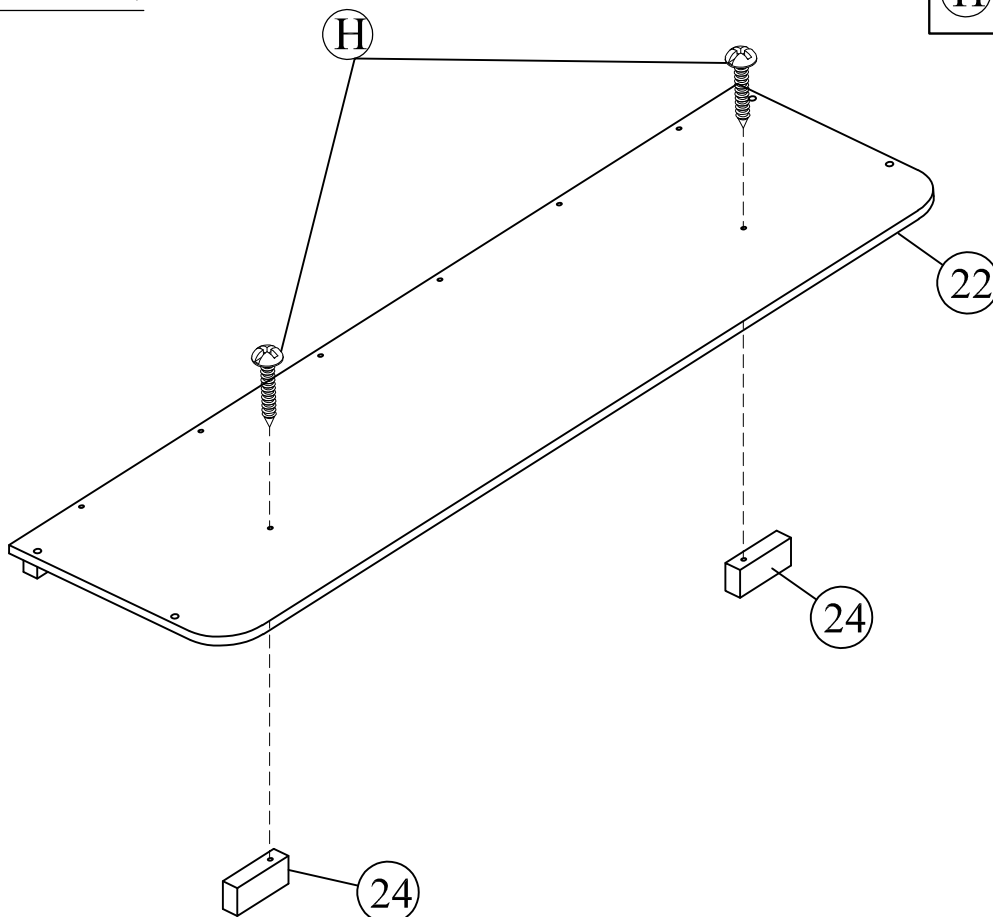
**STEP 1:**

|     |   |      |
|-----|---|------|
| (H) |  | 6pcs |
|-----|---|------|




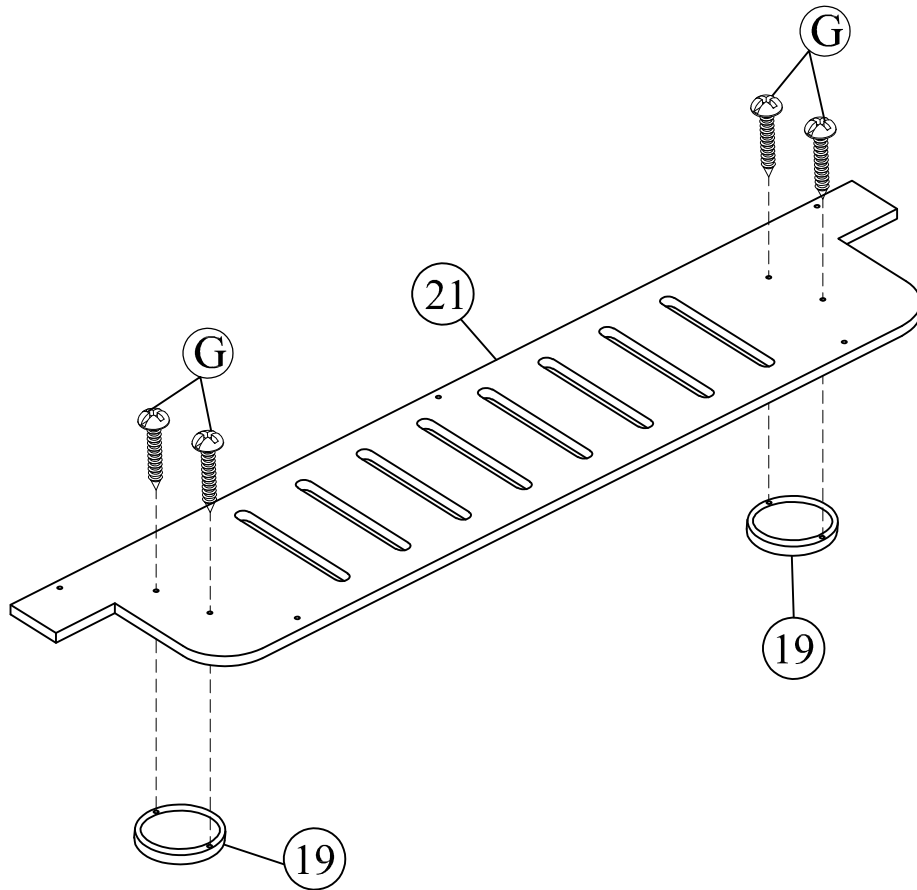
**STEP 2:**

|     |   |      |
|-----|---|------|
| (H) |  | 2pcs |
|-----|---|------|




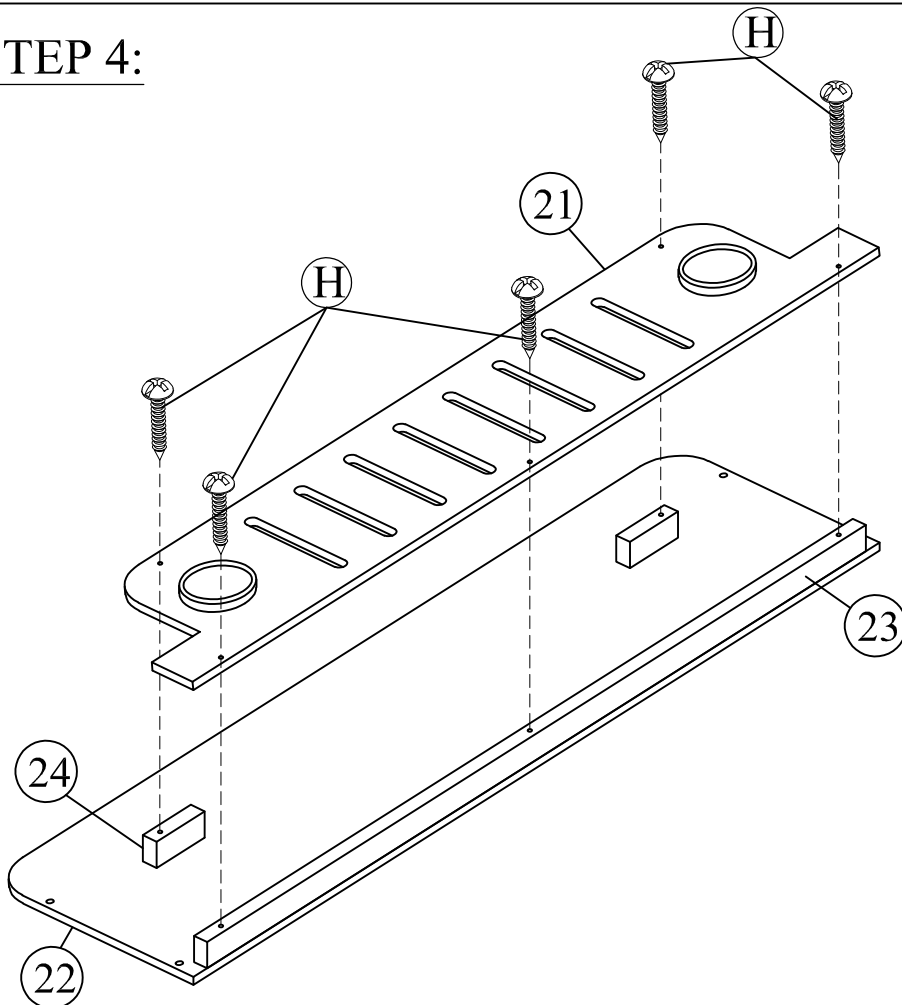
**STEP 3:**

|   |   |      |
|---|---|------|
| G |  | 4pcs |
|---|---|------|



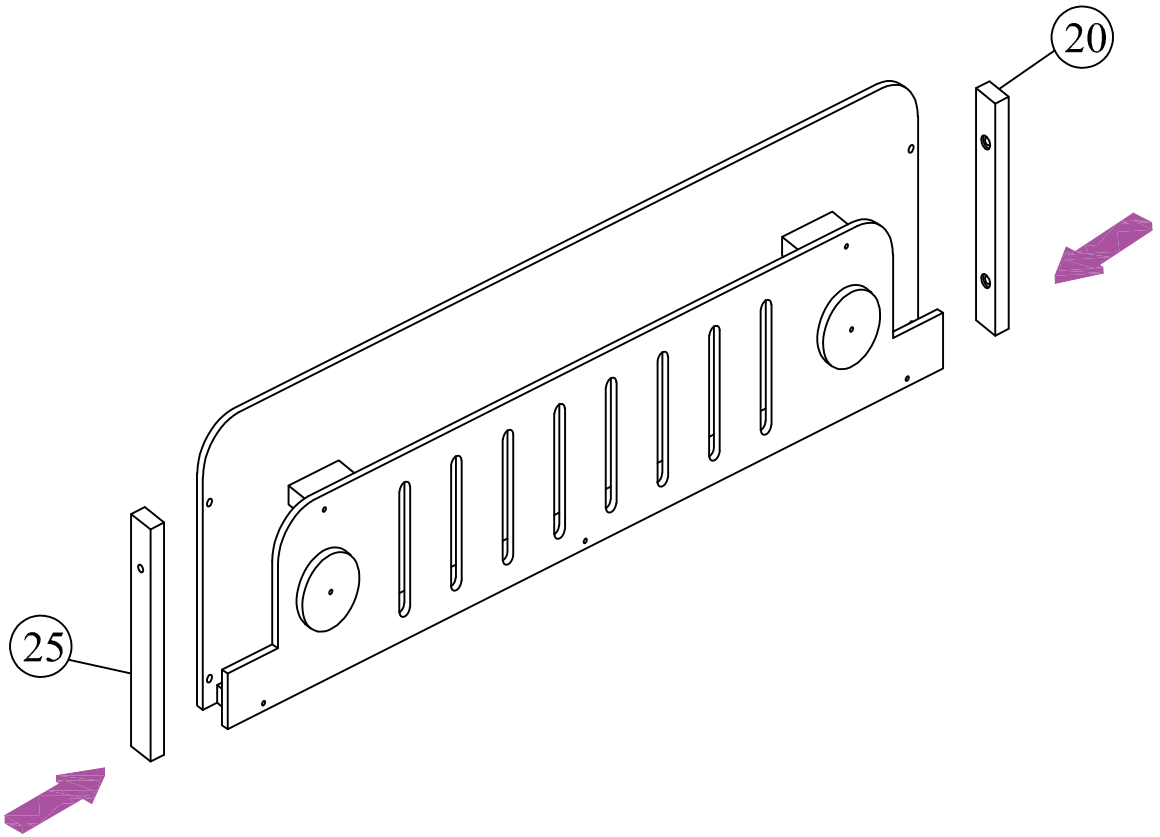
**STEP 4:**

|   |   |      |
|---|---|------|
| H |  | 5pcs |
|---|---|------|

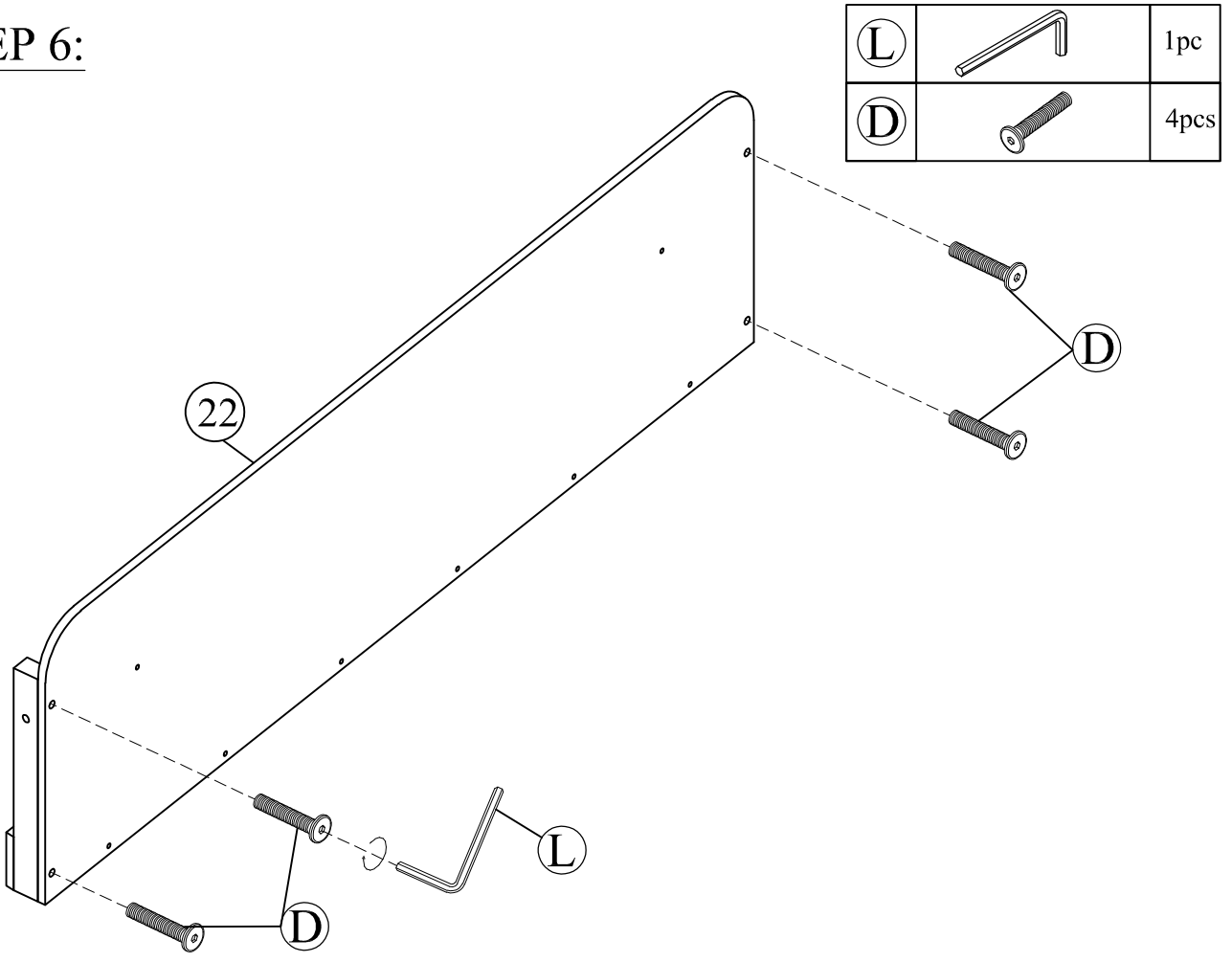




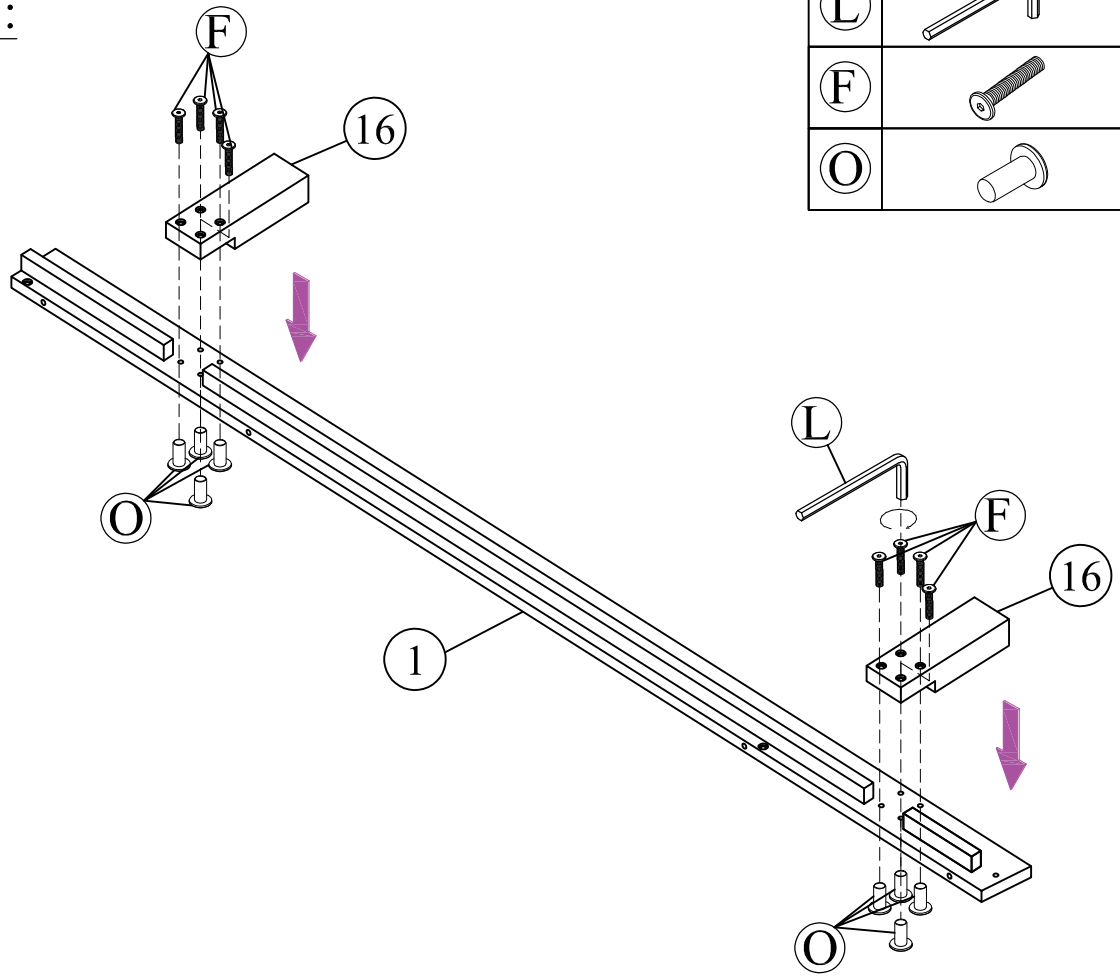
**STEP 5:**



**STEP 6:**

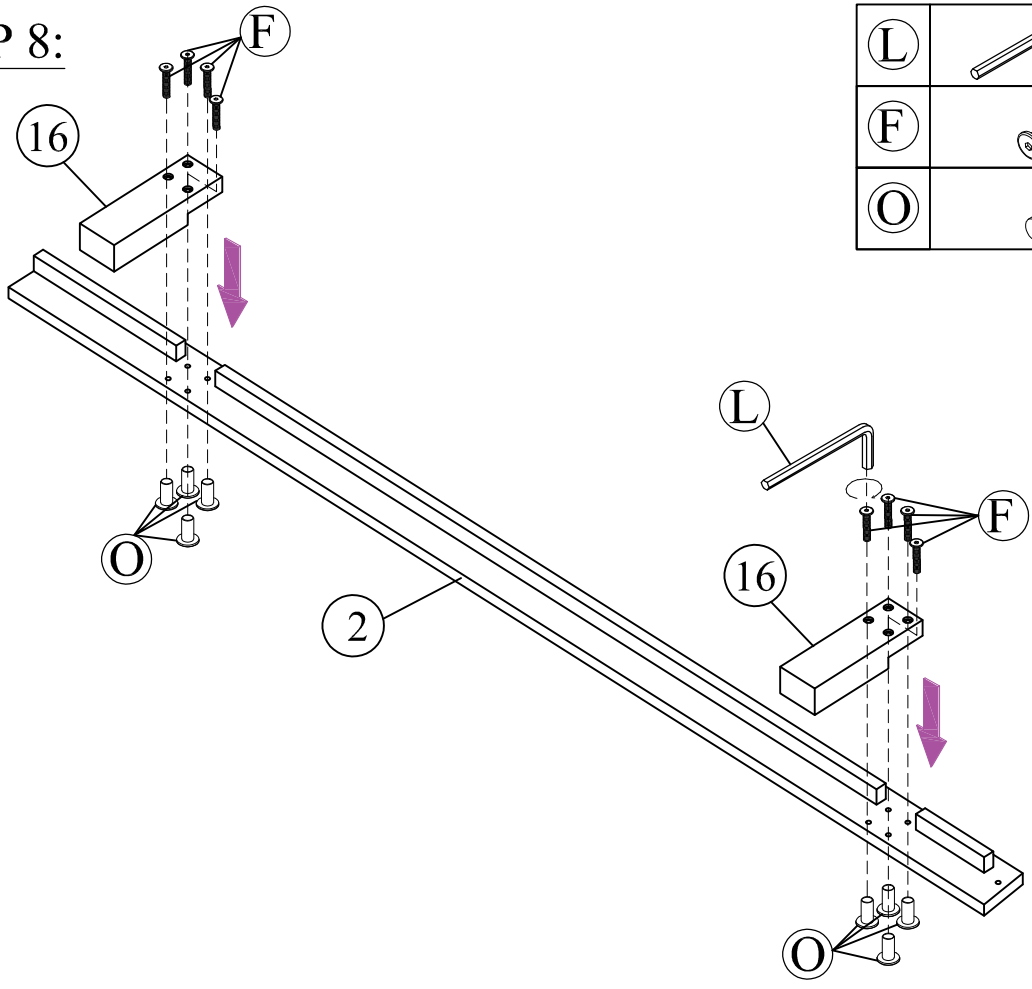


**STEP 7:**



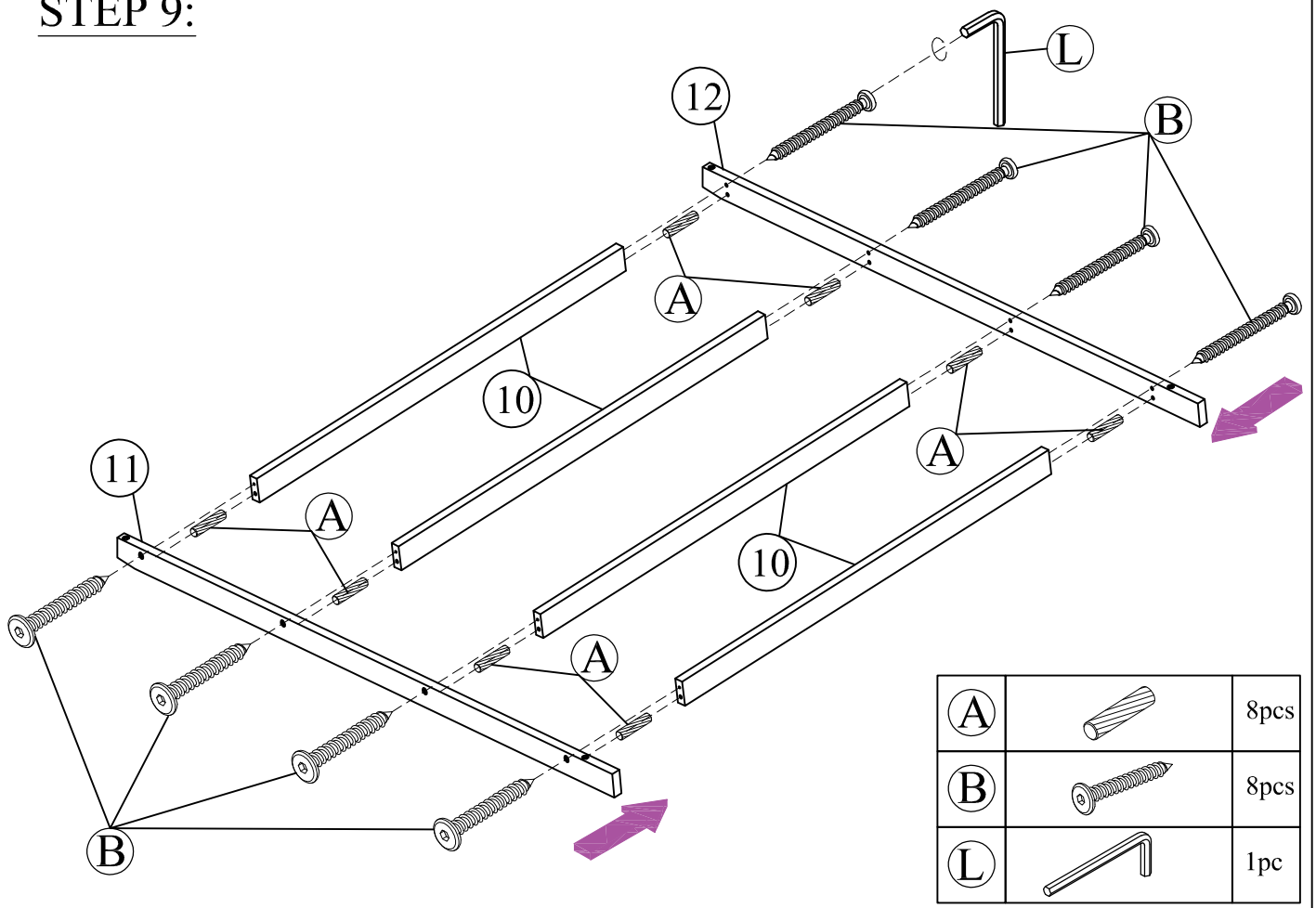
|     |  |      |
|-----|--|------|
| (L) |  | 1pc  |
| (F) |  | 8pcs |
| (O) |  | 8pcs |

**STEP 8:**



|     |  |      |
|-----|--|------|
| (L) |  | 1pc  |
| (F) |  | 8pcs |
| (O) |  | 8pcs |

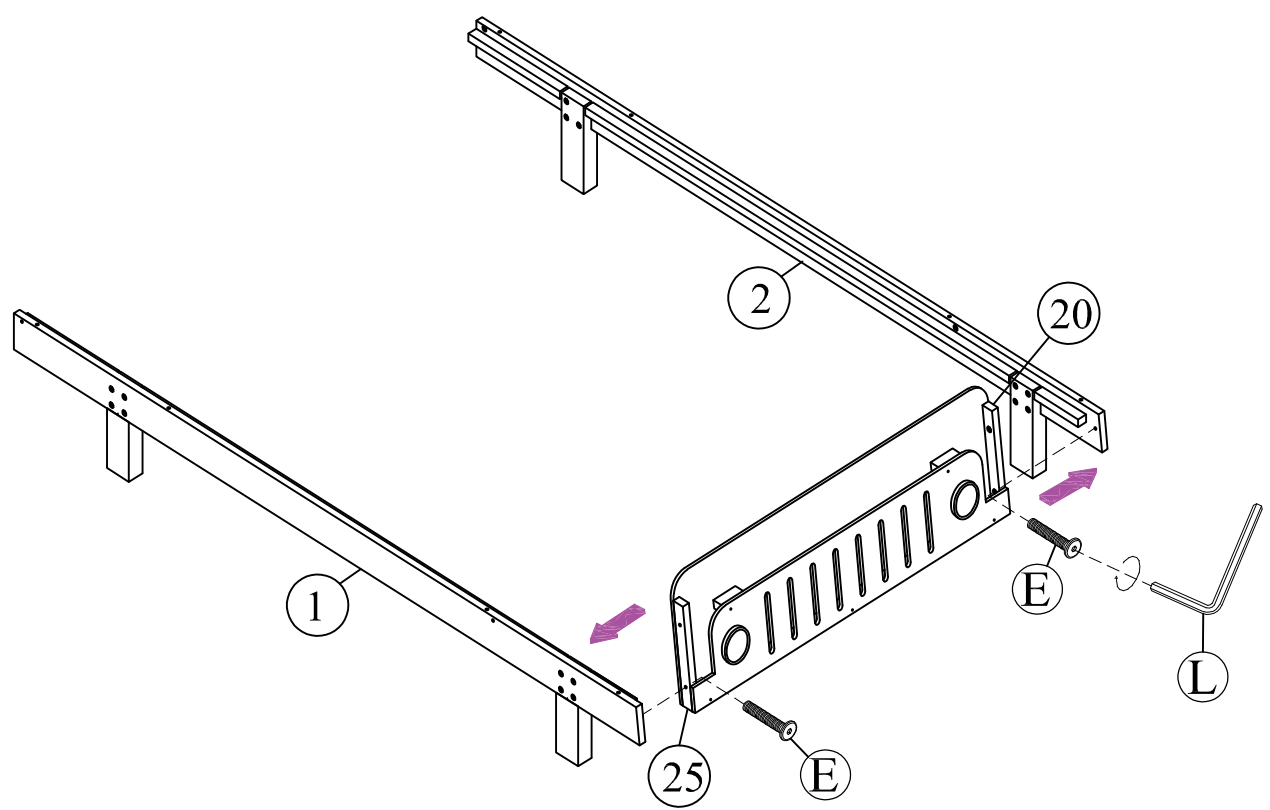
**STEP 9:**



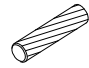
|     |  |      |
|-----|--|------|
| (A) |  | 8pcs |
| (B) |  | 8pcs |
| (L) |  | 1pc  |

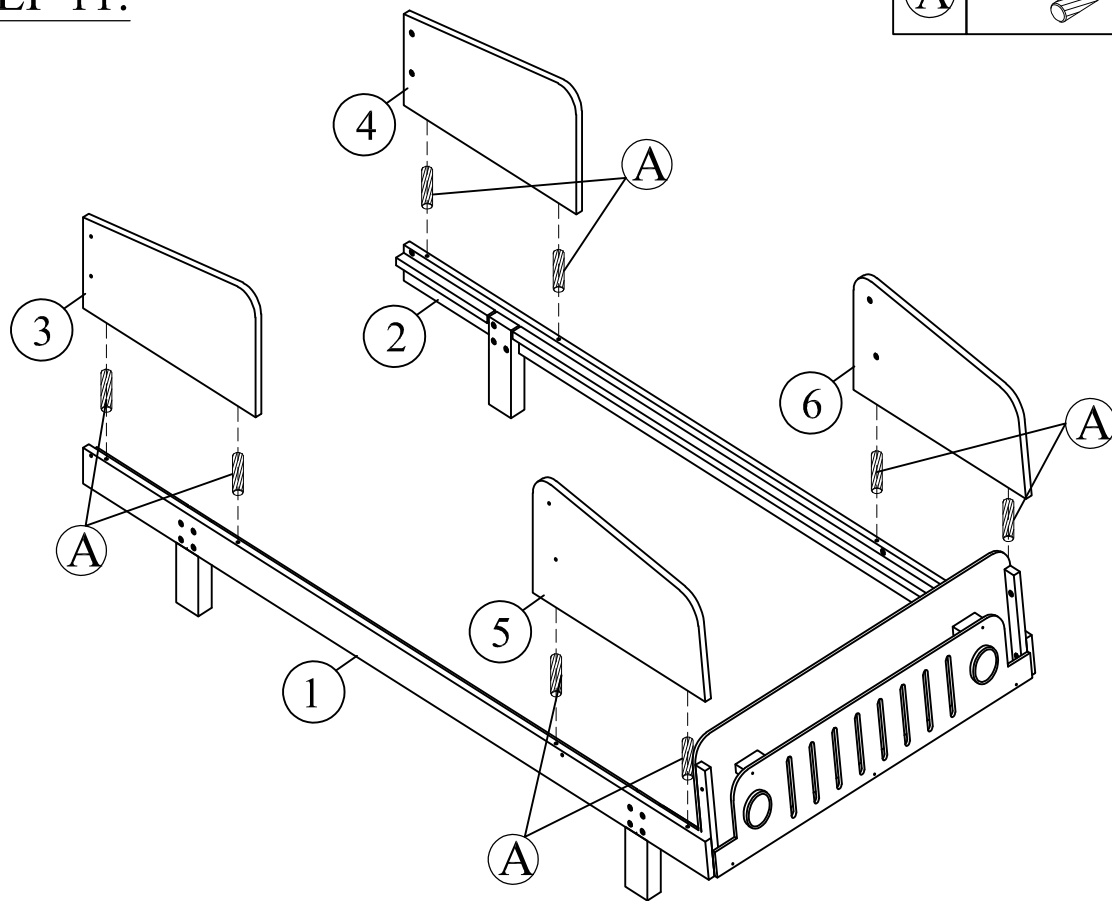
**STEP 10:**

|     |  |      |
|-----|--|------|
| (L) |  | 1pc  |
| (E) |  | 2pcs |






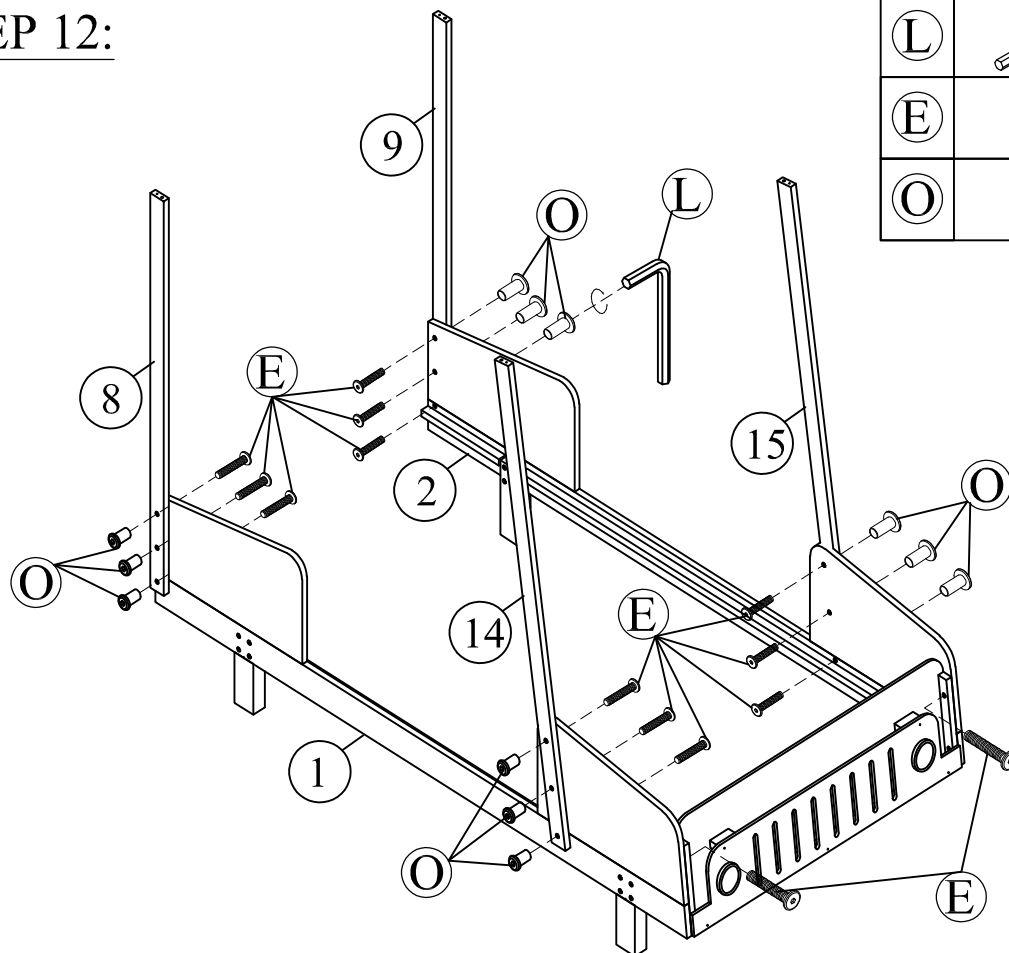
# STEP 11:

|   |   |      |
|---|---|------|
| A |  | 8pcs |
|---|---|------|

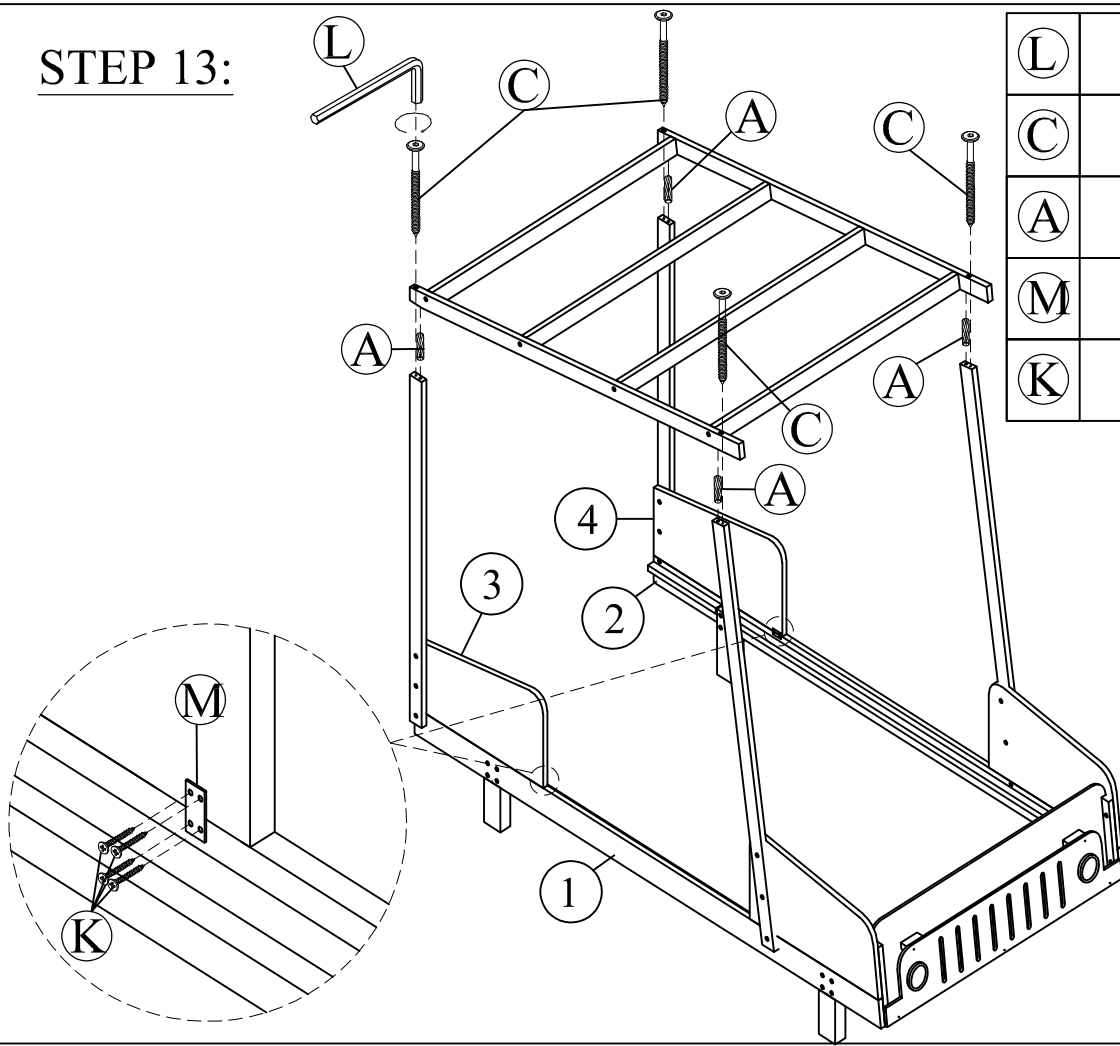


# STEP 12:

|   |   |       |
|---|---|-------|
| L |  | 1pc   |
| E |  | 14pcs |
| O |  | 12pcs |

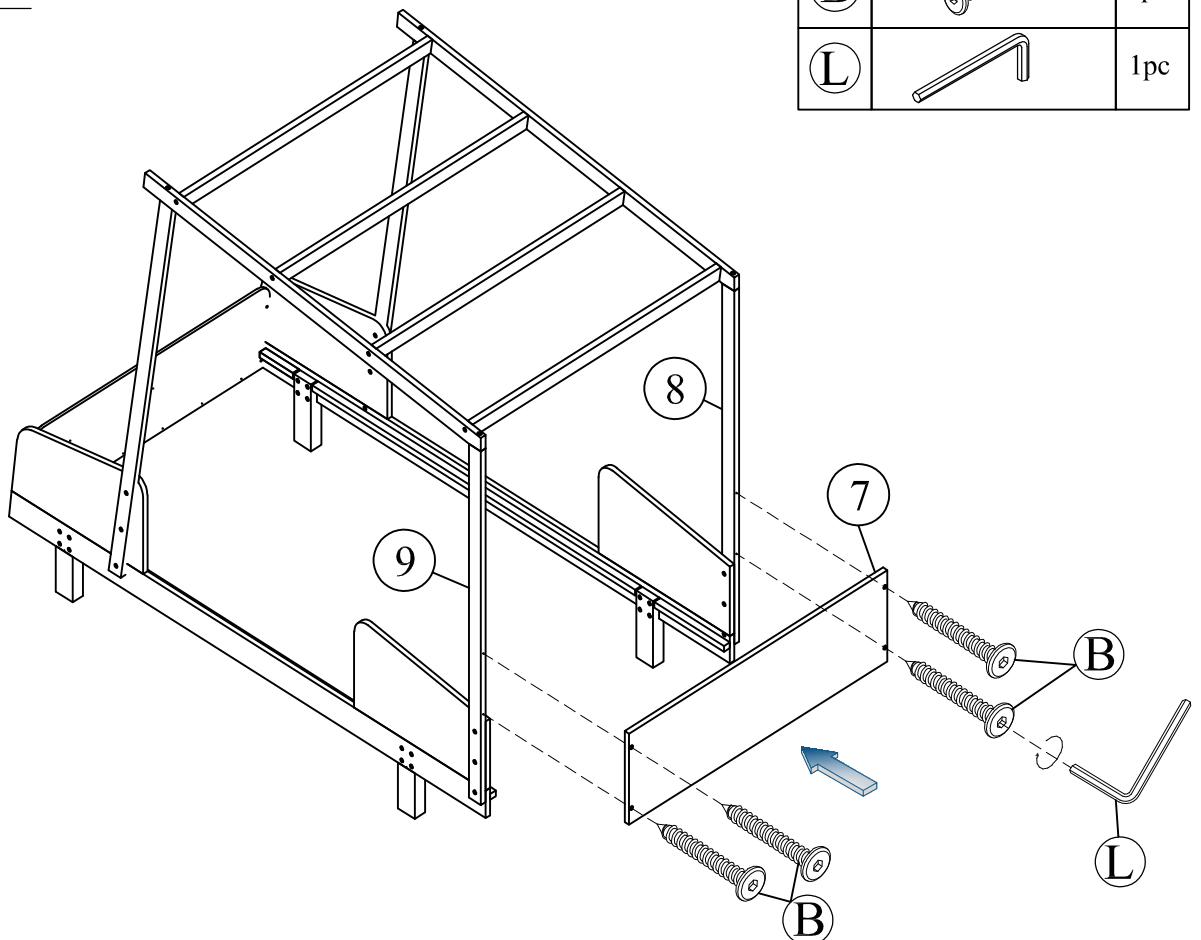


**STEP 13:**



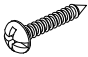
|     |  |      |
|-----|--|------|
| (L) |  | 1pc  |
| (C) |  | 4pcs |
| (A) |  | 4pcs |
| (M) |  | 2pcs |
| (K) |  | 8pcs |

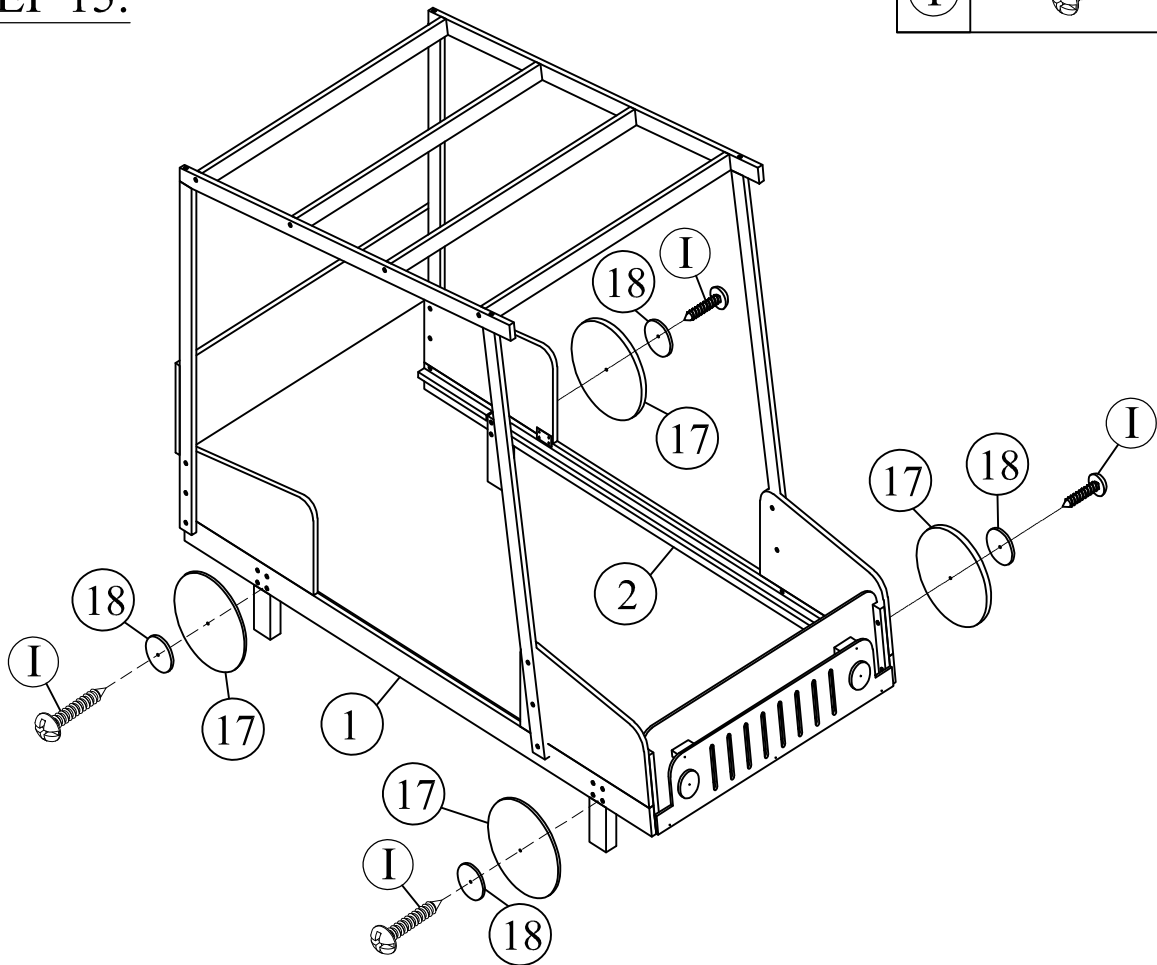
**STEP 14:**



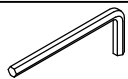

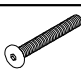
|     |  |      |
|-----|--|------|
| (B) |  | 4pcs |
| (L) |  | 1pc  |

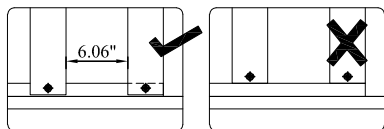
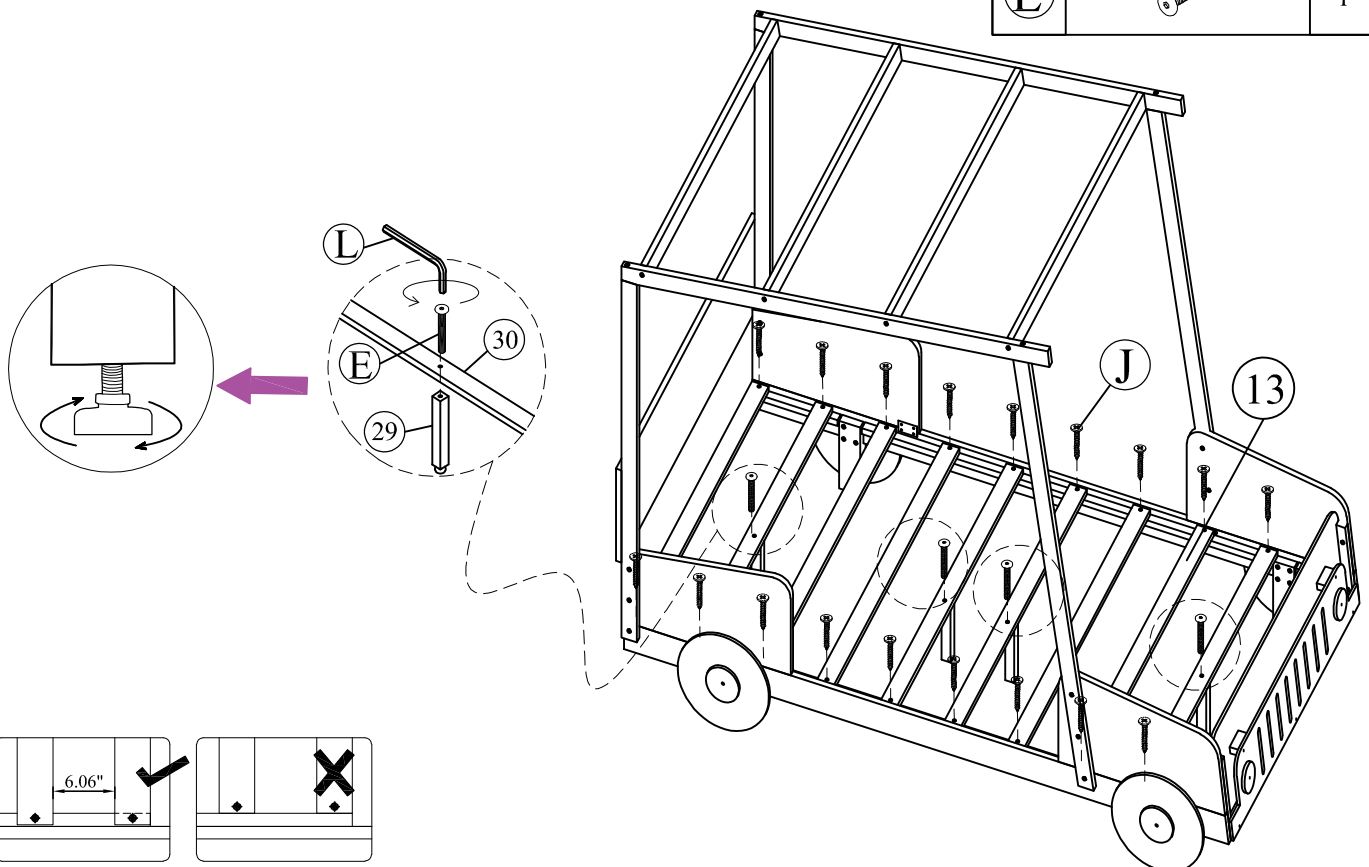
# STEP 15:

|   |   |      |
|---|---|------|
| I |  | 4pcs |
|---|---|------|

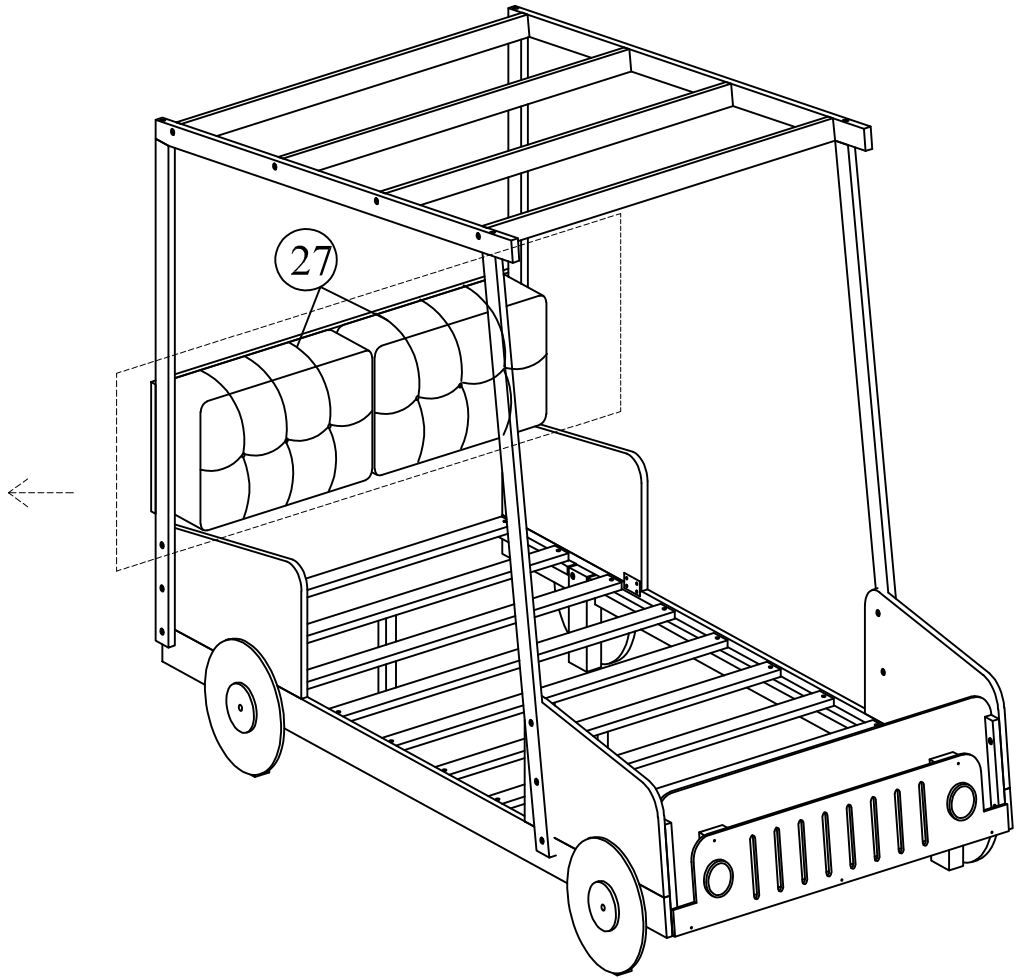
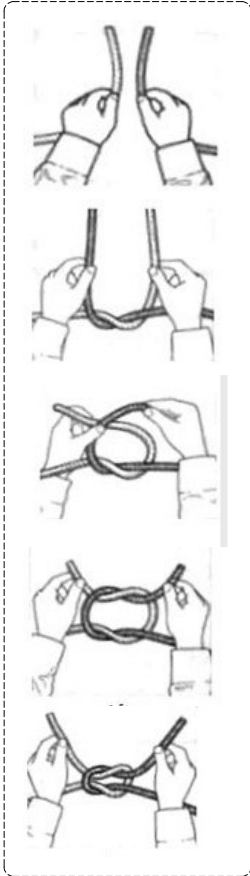


# STEP 16:

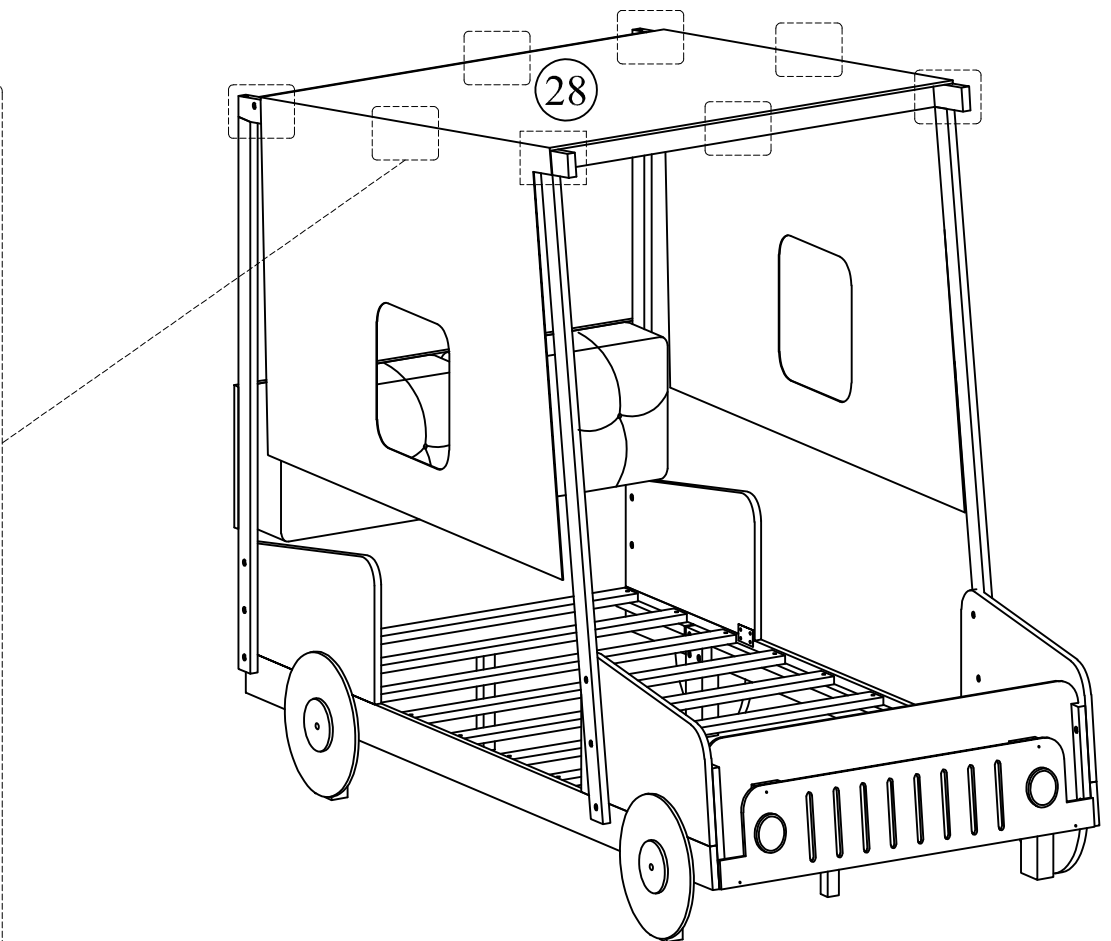
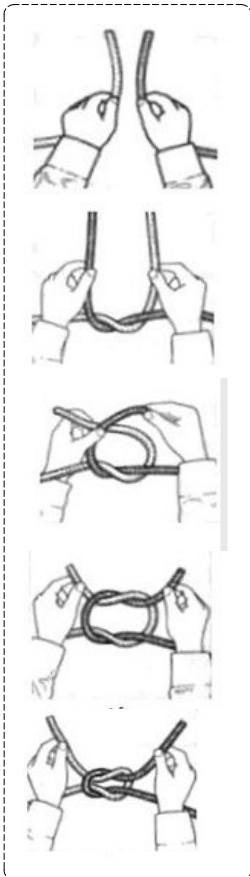
|   |   |     |   |   |       |
|---|---|-----|---|---|-------|
| L |  | 1pc | J |  | 20pcs |
|   |   |     | E |  | 4pcs  |



**STEP 17:**

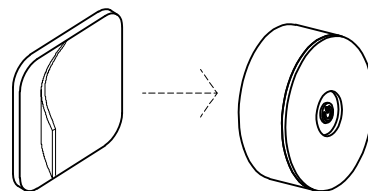


**STEP 18:**

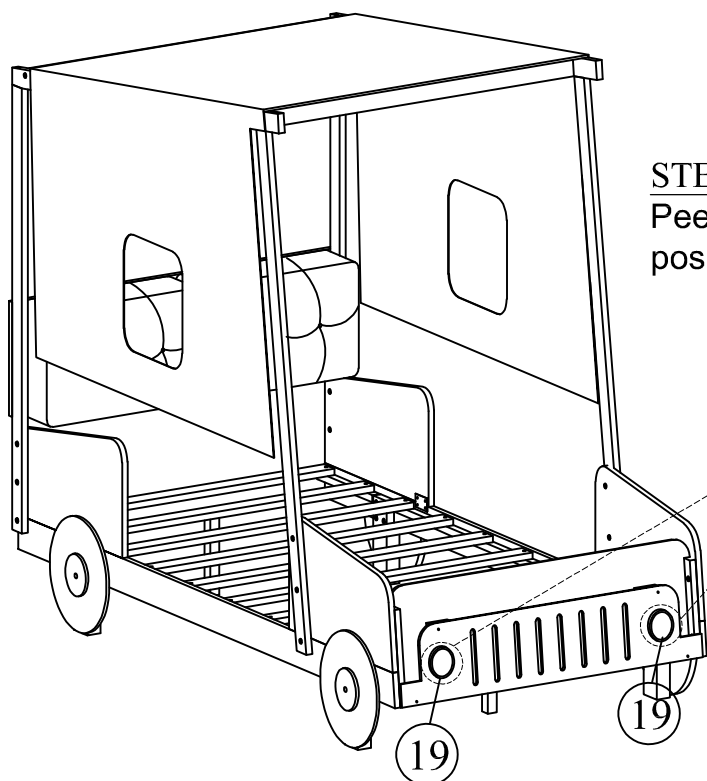
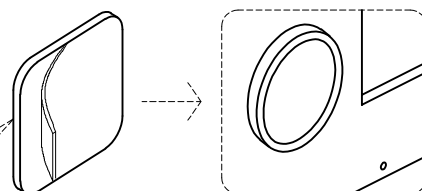


## STEP 19:

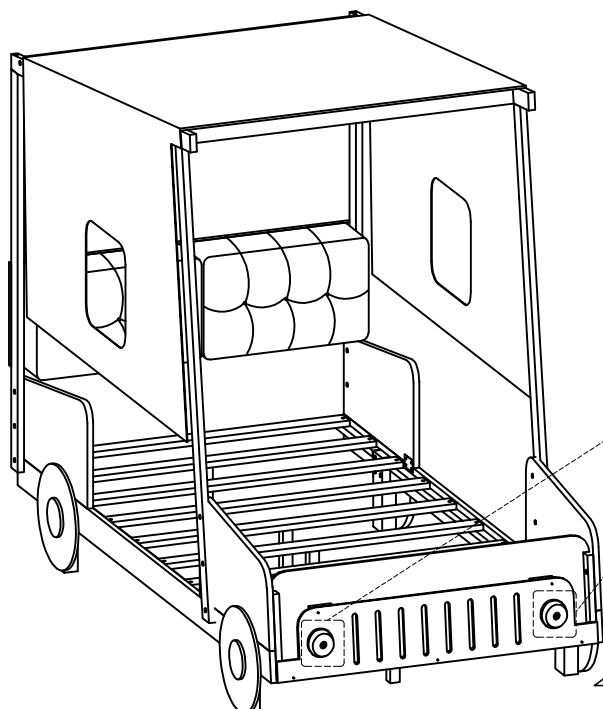
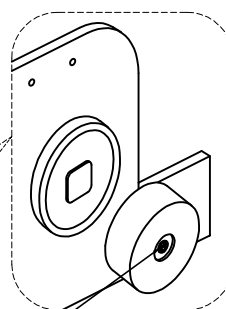
STEP 19 -1:  
Peel of the rubber,stick it  
on the underside of the  
lamp.



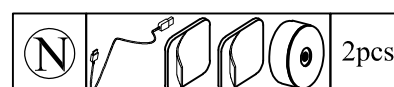
STEP 19 -2:  
Peel of the rubber,paste in  
position number 19.



STEP 19 -3:  
Stick the light in the position  
(number 19 ) with a magnet.



Click on the guided position, adjust the  
brightness according to the user's discretion.





Final:

