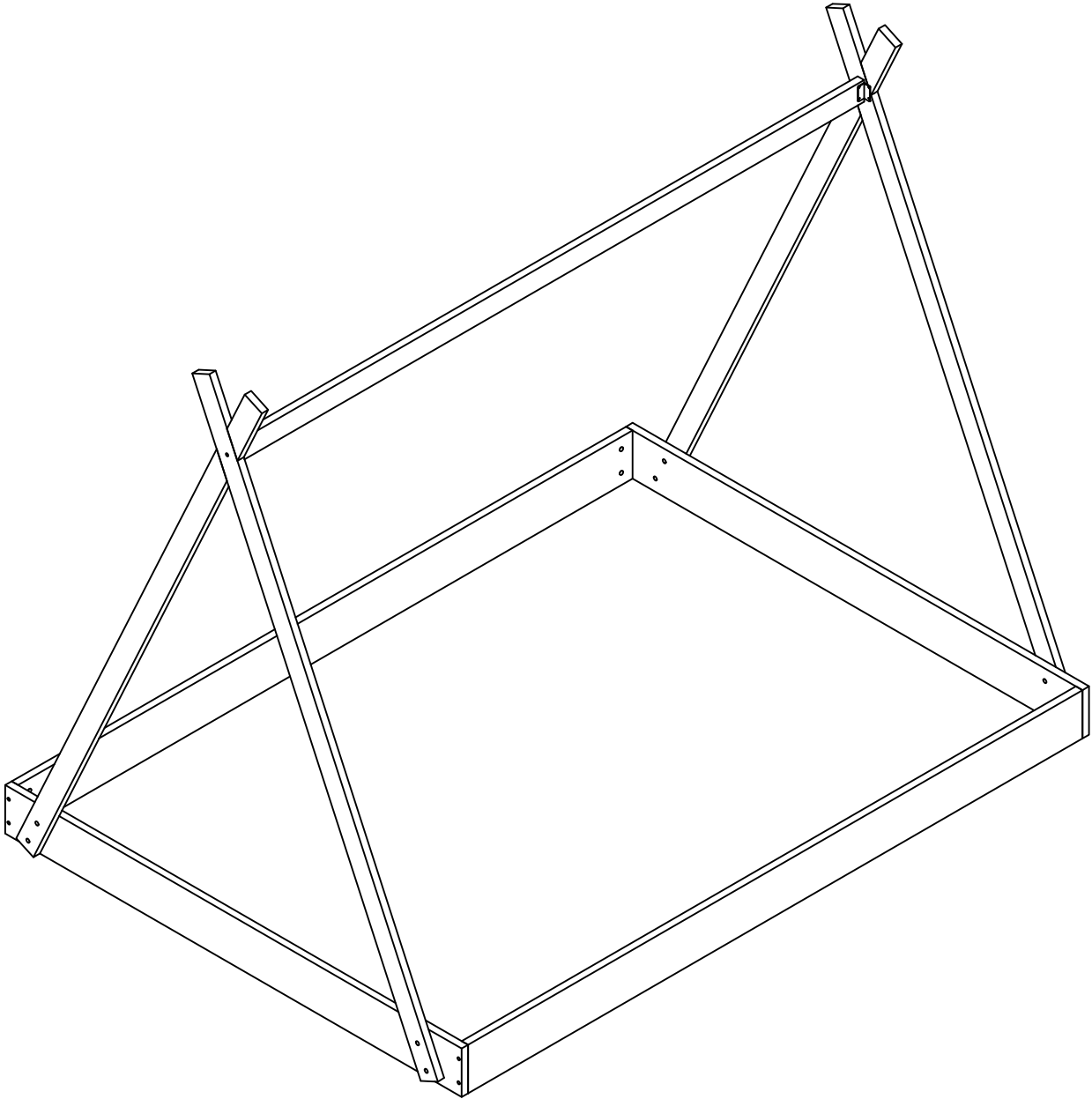


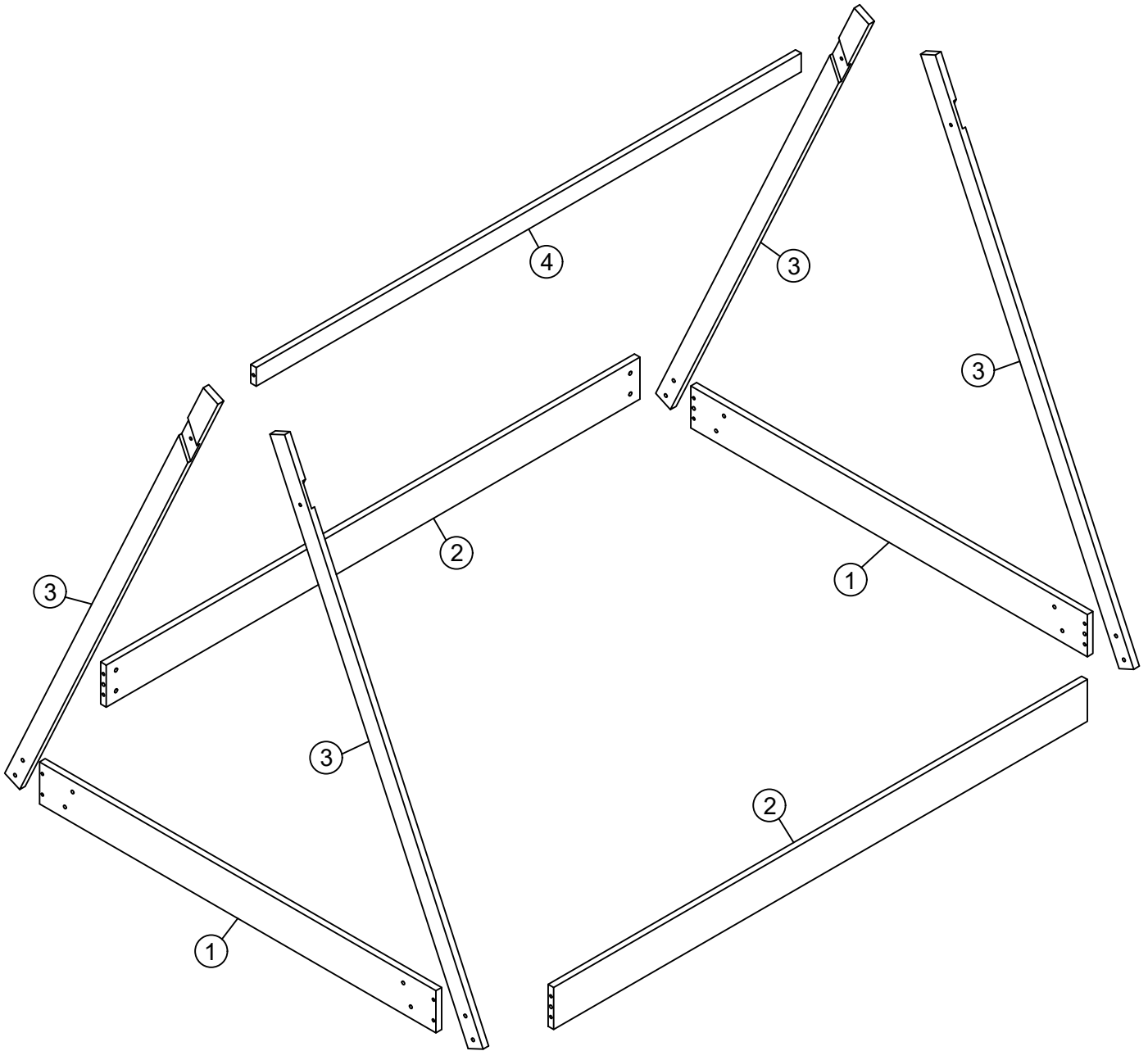
ASSEMBLY INSTRUCTIONS

FULL SIZE BED



WF307379

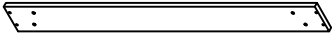
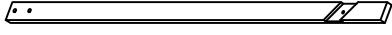
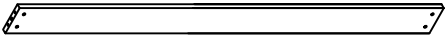
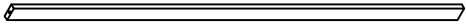
ASSEMBLY INSTRUCTIONS




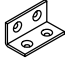





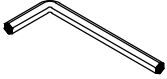
ASSEMBLY INSTRUCTIONS

PARTS LIST

WF307379

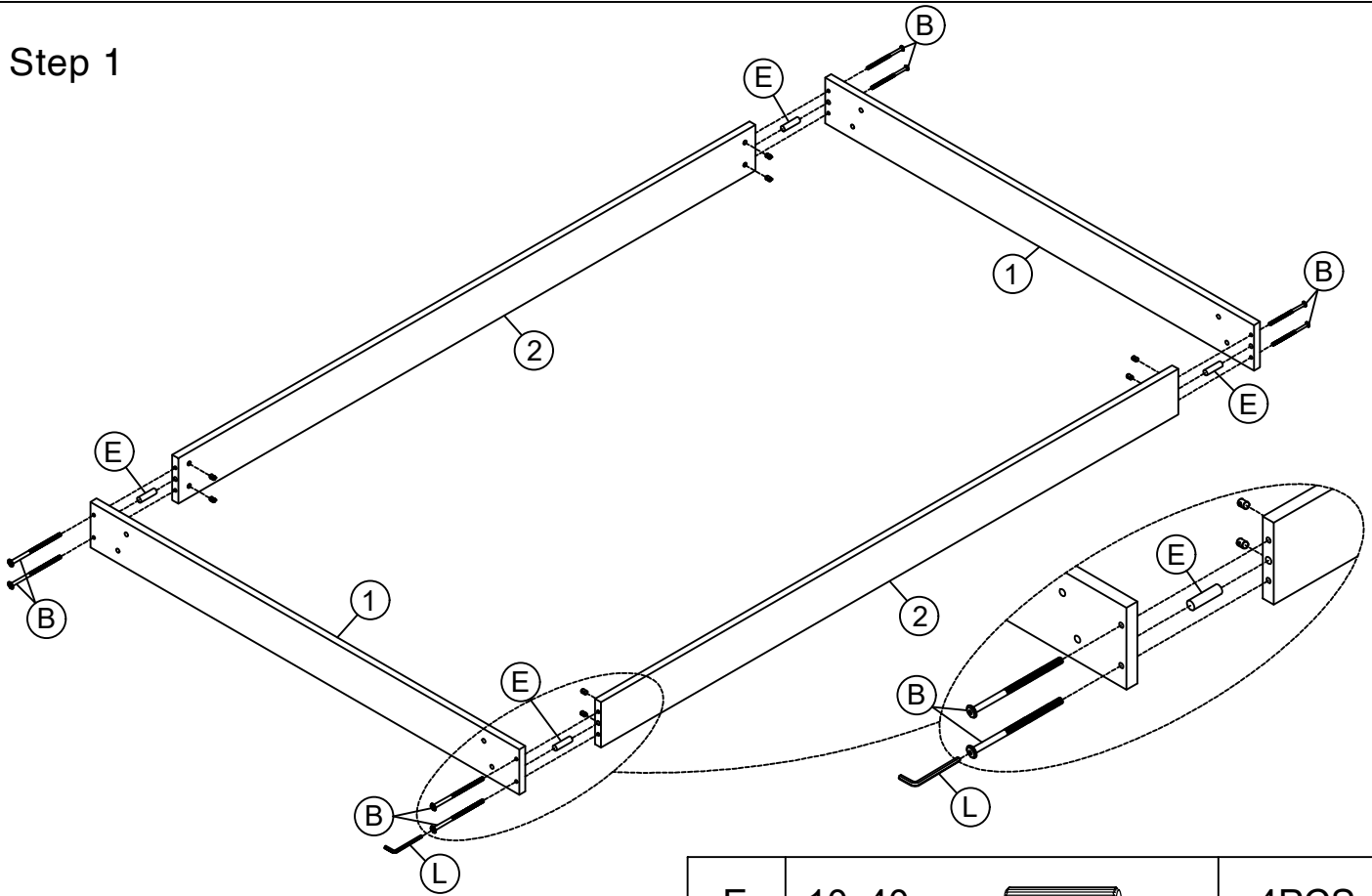
1	 Bed's head	2pcs	3	 Cross wooden bar	4pcs
2	 Bed shoulder	2pcs	4	 Crossbar	1pc





HARDWARE LIST

A	Ø4x15 	8PCS	D	40x20x20 	2PCS
B	1/4x65  	10PCS	E	10x40 	4PCS
C	1/4x35  	8PCS	L	4x58 	1PC

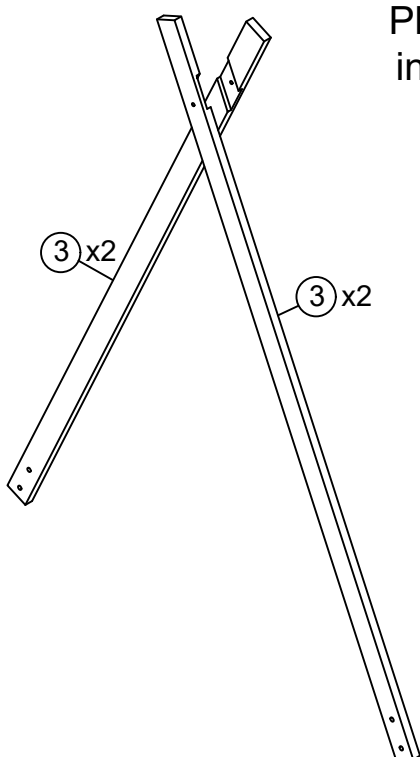
ASSEMBLY INSTRUCTIONS

Step 1

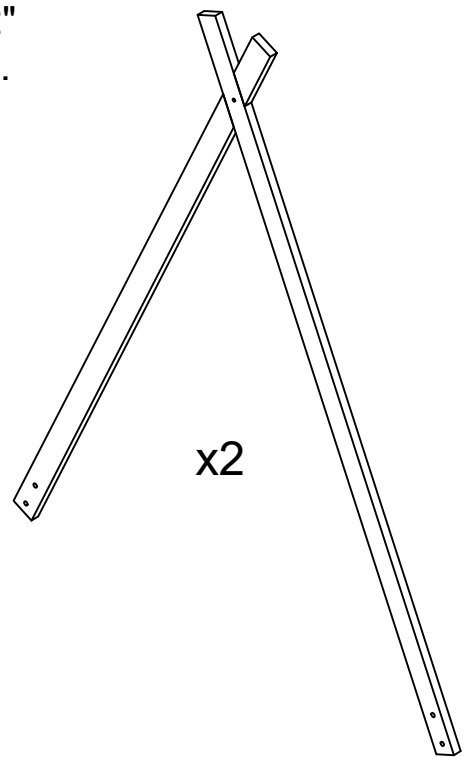


E	10x40		4PCS
B	1/4x65	 	8PCS
L	4x58		1PC

Step 2

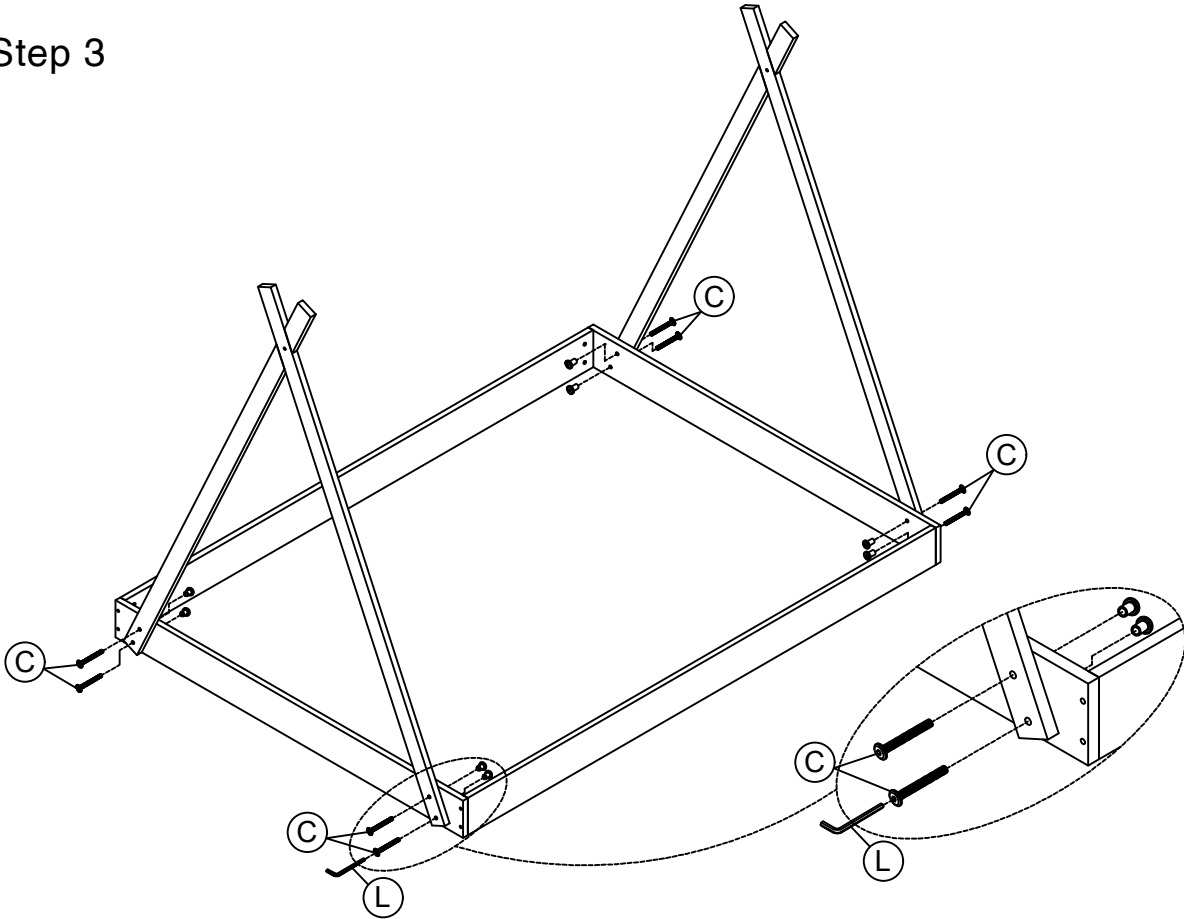




Place bar number "2"
in position as above.



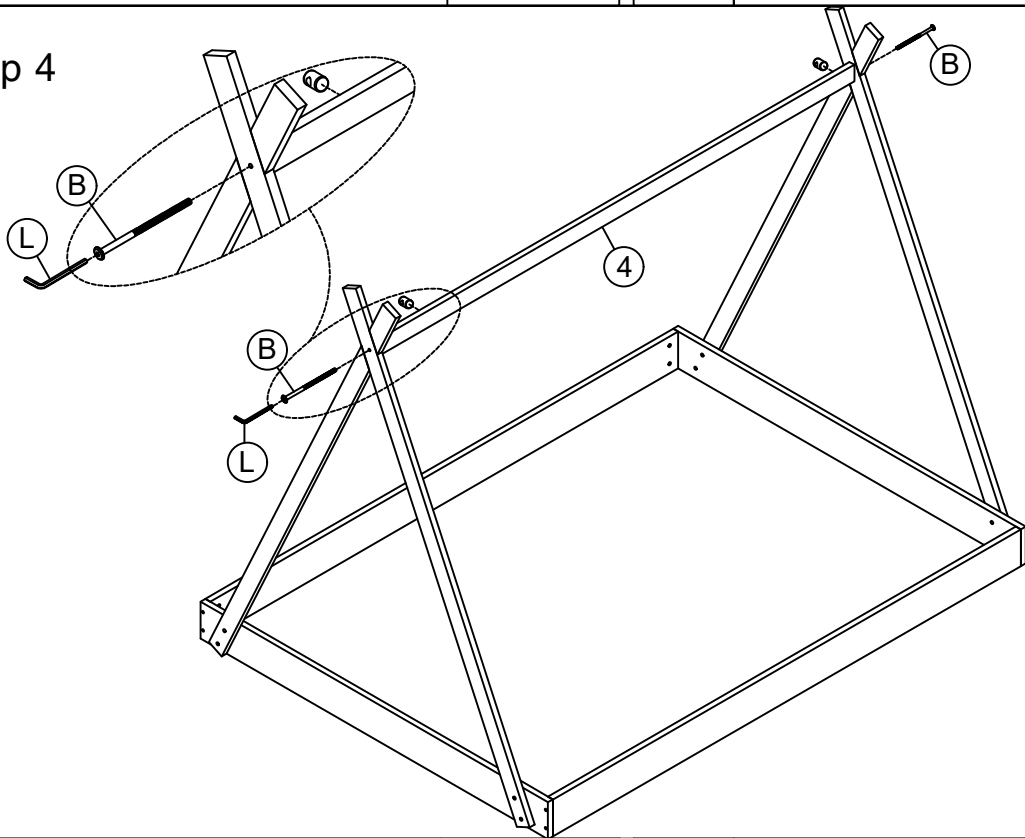
ASSEMBLY INSTRUCTIONS



Step 3



C	1/4x35		8PCS	L	4x58		1PC
---	--------	---	------	---	------	---	-----

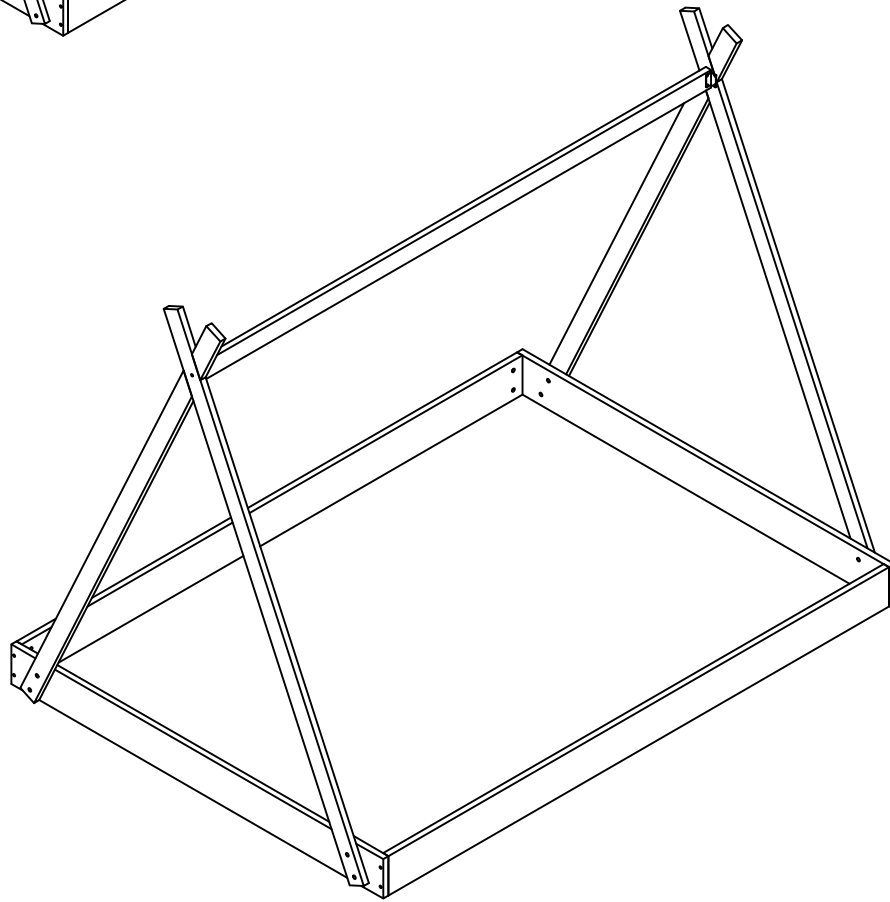
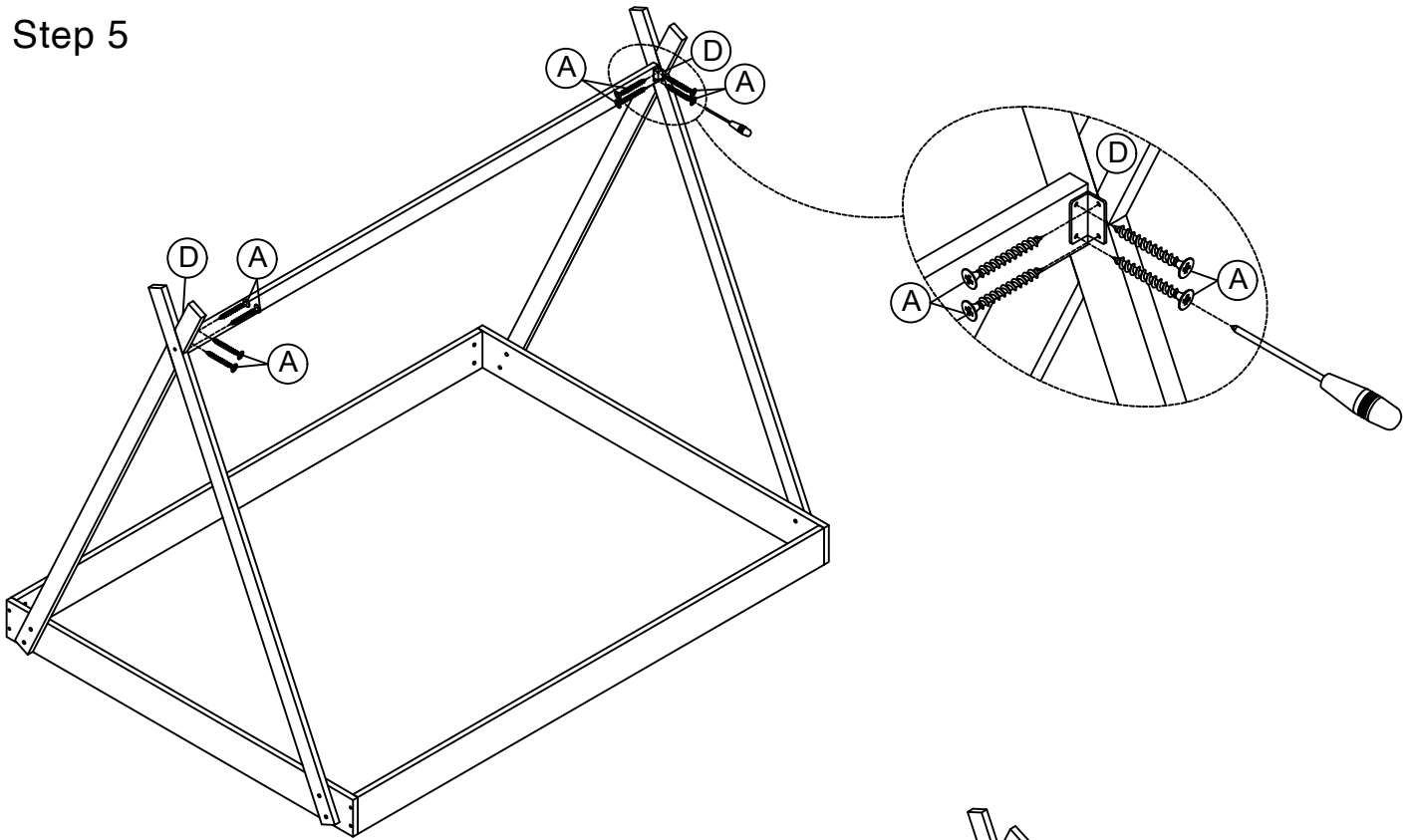
Step 4


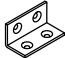


B	1/4x65		2PCS	L	4x58		1PC
---	--------	---	------	---	------	---	-----

ASSEMBLY INSTRUCTIONS

Step 5



A	Ø4x15		8PCS	D	40x20x20		2PCS
---	-------	---	------	---	----------	---	------