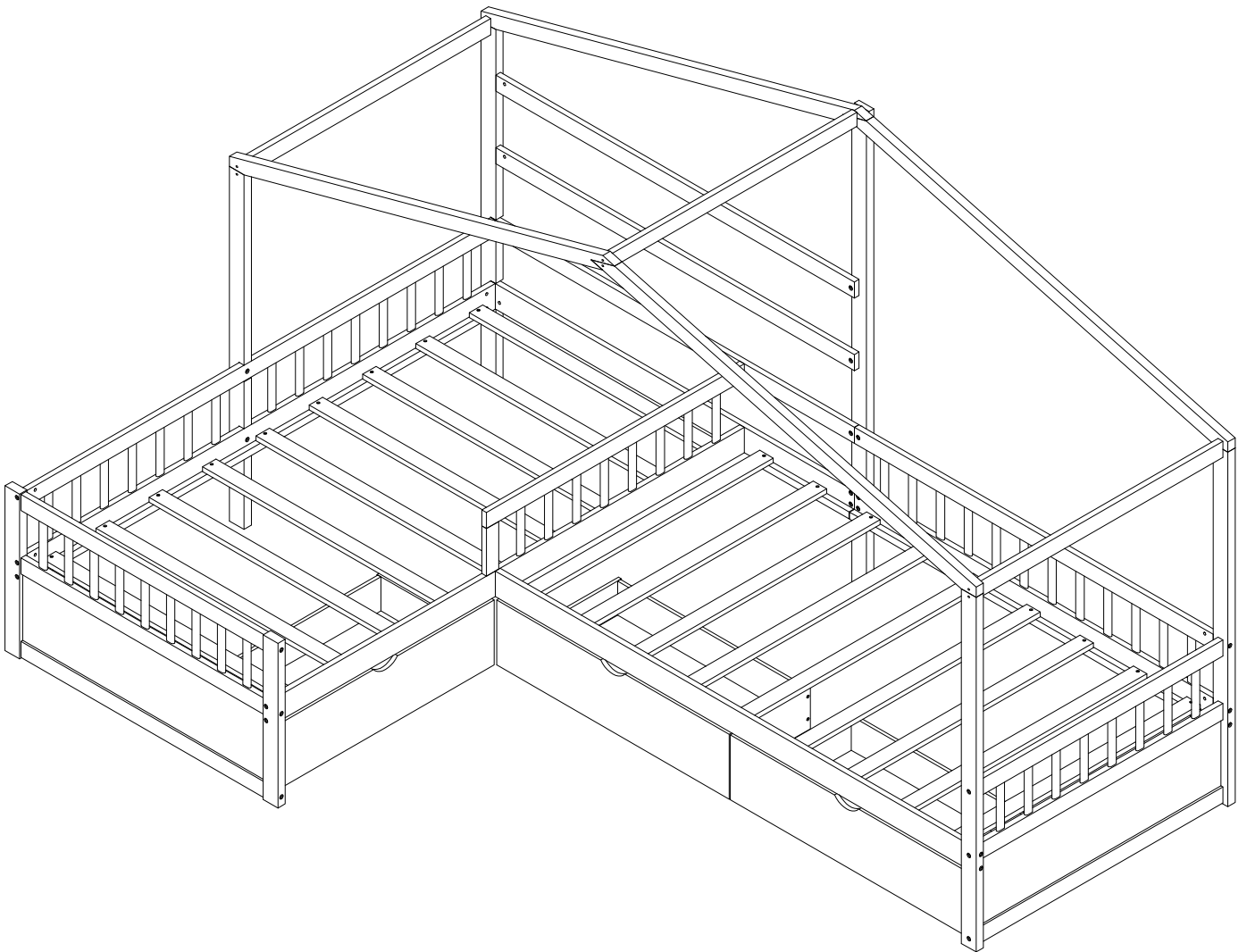


# ASSEMBLY INSTRUCTION

SKU CODE: (WF309249-WF309250)

**This set is included 2 boxes if don't receive full 2 boxes please contact our customer service team**



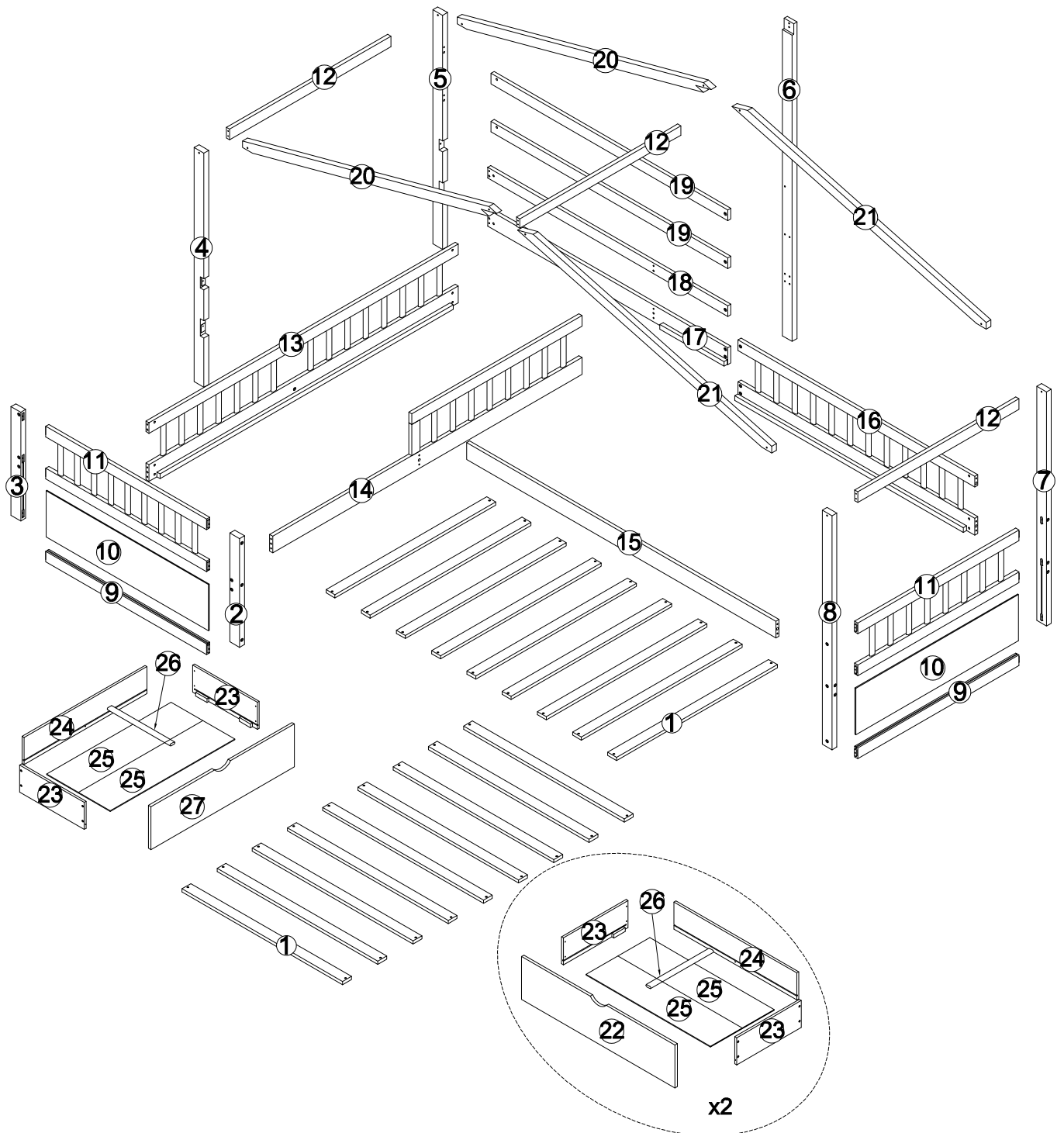
## **SAFETY WARNINGS AND GENERAL NOTES:**

1. Do not use substitute parts. Contact the manufacturer or dealer for replacement parts.
2. Keep these instructions for future reference.
3. We recommend assembling your bed on the shipping carton to protect your floor or carpet.
4. Be certain all staples are out of the box before beginning assembly on the shipping carton.

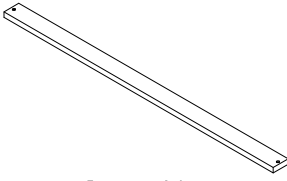
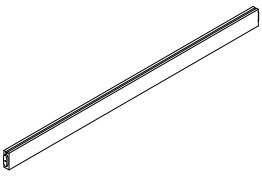
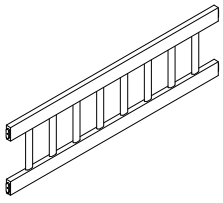
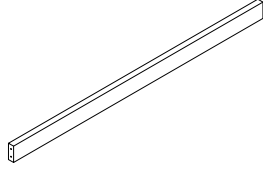
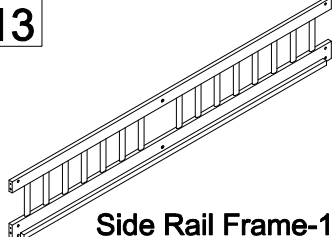
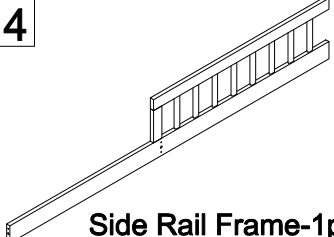
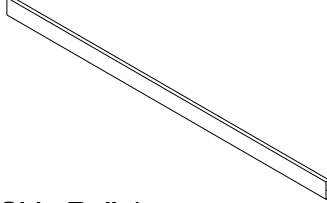
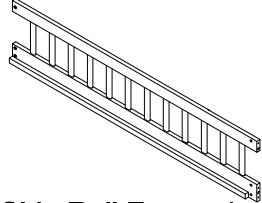
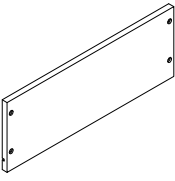
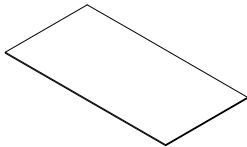
### **5.Replacement Parts:**

Replacement Parts, including additional guardrails, may be obtained from any of our (GIGACLOUD TECHNOLOGY (USA) INC.) dealers








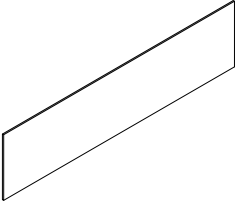
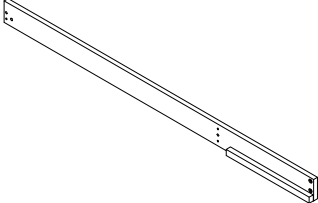
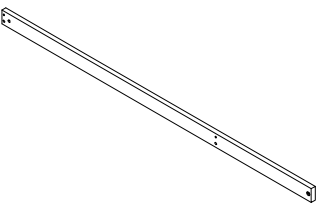
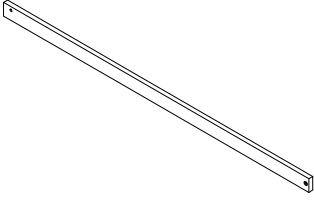
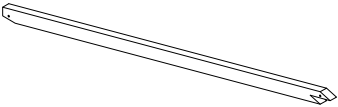
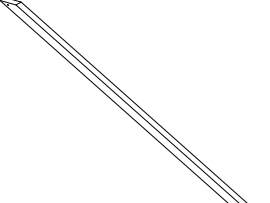
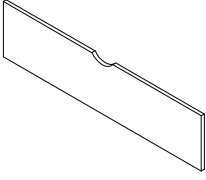
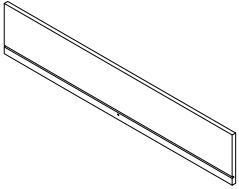
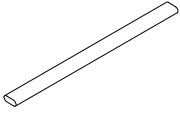
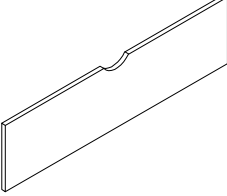
# ASSEMBLY INSTRUCTION



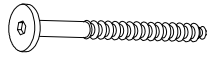
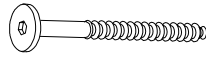
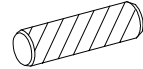
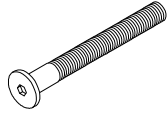
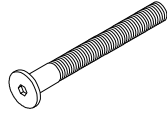



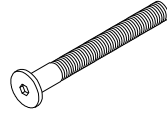
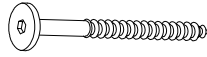

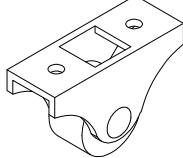
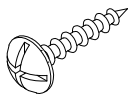
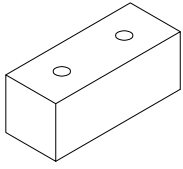
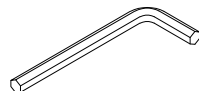
# Part List (Box 1-WF309249)

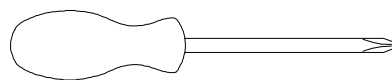
|  |   |  |
|--|---|--|
| <p><b>1</b></p>  <p>Slats-18pcs</p>                 | <p><b>9</b></p>  <p>Wood Bars-2pcs</p>       | <p><b>11</b></p>  <p>Frames-2pcs</p>            |
| <p><b>12</b></p>  <p>Roof Top Bars-3pcs</p>         | <p><b>13</b></p>  <p>Side Rail Frame-1pc</p> | <p><b>14</b></p>  <p>Side Rail Frame-1pc</p>    |
| <p><b>15</b></p>  <p>Side Rail-1pc</p>              | <p><b>16</b></p>  <p>Side Rail Frame-1pc</p> | <p><b>23</b></p>  <p>Drawer-Side Panes-6pcs</p> |
| <p><b>25</b></p>  <p>Drawer-Bottom Panes-6pcs</p> |   |  |

# Part List & Hardware List (Box 2-WF309250)

|  |   |  |
|--|---|--|
| <p><b>2</b></p>  <p>Leg-1pc</p>                         | <p><b>3</b></p>  <p>Leg-1pc</p>                    | <p><b>4</b></p>  <p>Leg-1pc</p>                   |
| <p><b>5</b></p>  <p>Leg-1pc</p>                         | <p><b>6</b></p>  <p>Leg-1pc</p>                    | <p><b>7</b></p>  <p>Leg-1pc</p>                   |
| <p><b>8</b></p>  <p>Leg-1pc</p>                         | <p><b>10</b></p>  <p>Panels-2pcs</p>               | <p><b>17</b></p>  <p>Side Rail-1pc</p>            |
| <p><b>18</b></p>  <p>Wood Bar-1pc</p>                 | <p><b>19</b></p>  <p>Wood Bars-2pcs</p>          | <p><b>20</b></p>  <p>Roof Top Bars-2pcs</p>     |
| <p><b>21</b></p>  <p>Roof Top Bars-2pcs</p>           | <p><b>22</b></p>  <p>Drawer-Front Panes-2pcs</p> | <p><b>24</b></p>  <p>Drawer-Back Panes-3pcs</p> |
| <p><b>26</b></p>  <p>Drawer-Sup Bottom Panes-3pcs</p> | <p><b>27</b></p>  <p>Drawer-Front Pane-1pc</p>   |  |

# Hardware List (Box 2-WF309250)

|  |   |  |
|--|---|--|
| <p><b>A</b></p>  <p>Screws 1/4"x80mm<br/>6pcs</p>                 | <p><b>B</b></p>  <p>Screws 1/4"x70mm<br/>18pcs</p>             | <p><b>C</b></p>  <p>Ø10 x 40 mm<br/>Wood dowel 13pcs</p>              |
| <p><b>D</b></p>  <p>Ø1/4" x 80 mm<br/>Hex-Head bolts 7pcs</p>     | <p><b>E</b></p>  <p>Ø1/4" x 100 mm<br/>Hex-Head bolts 7pcs</p> | <p><b>F</b></p>  <p>Ø1/4" x 13 mm<br/>Horizontal-Hole bolts 22pcs</p> |
| <p><b>G</b></p>  <p>Ø1/4" x 15 mm<br/>Canopy head though 8pcs</p> | <p><b>H</b></p>  <p>Ø1/4" x 35mm<br/>Hex-Head bolts 8pcs</p>   | <p><b>K</b></p>  <p>Ø1/4" x 70 mm<br/>Hex-Head bolts 8pcs</p>         |
| <p><b>L</b></p>  <p>Screws 1/4"x50mm<br/>2pcs</p>               | <p><b>M</b></p>  <p>M4 x 30 mm<br/>Wood Screws 73pcs</p>     | <p><b>N</b></p>  <p>Wheels 12pcs<br/>(H=28mm)</p>                   |
| <p><b>O</b></p>  <p>M4 x 15 mm<br/>Wood Screws 24pcs</p>        | <p><b>P</b></p>  <p>Stop Drawer-5pcs</p>                     | <p><b>Q</b></p>  <p>Allen Key 1pc</p>                               |

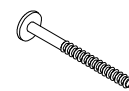


**Assembly Tools Required (Not Included)**

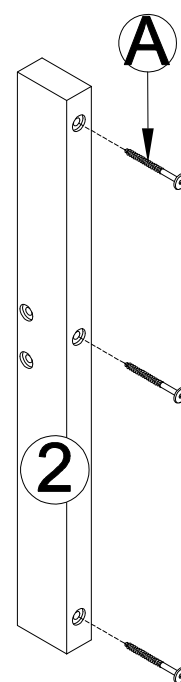
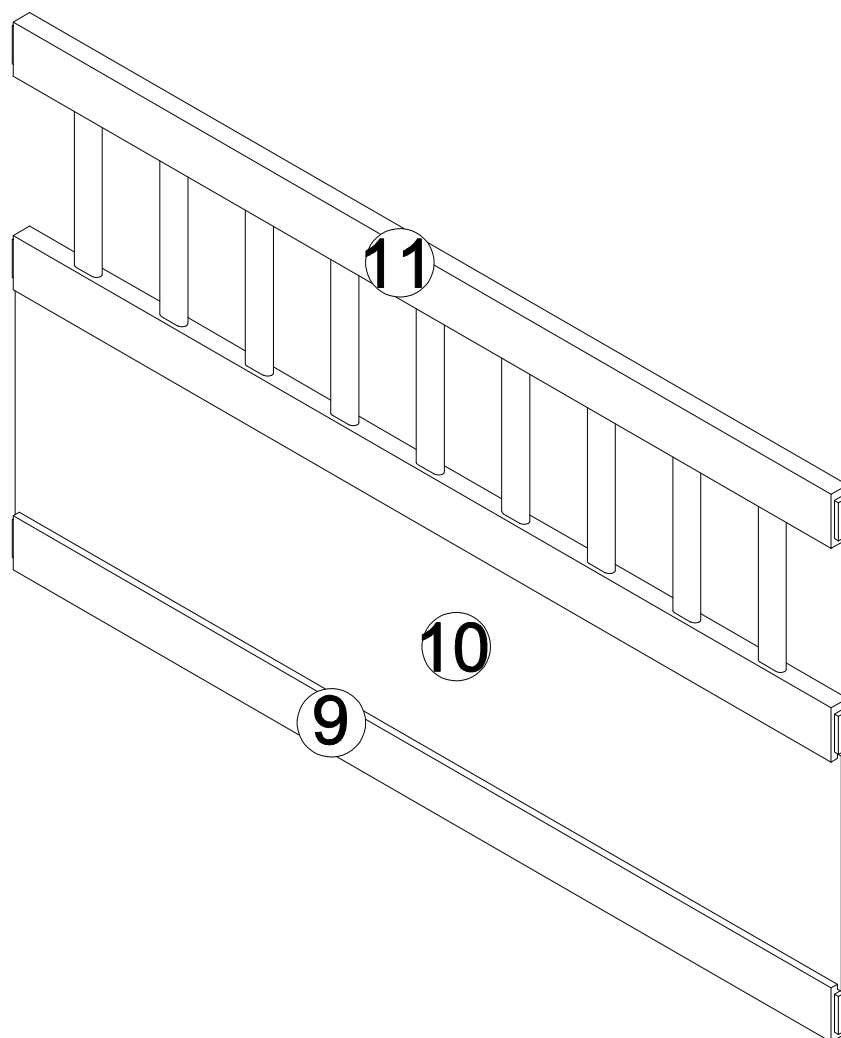
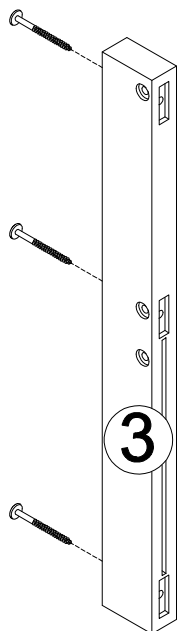
# STEP 1: Following below illustration:

- Using hardward #A to Connect 2,3 Legs With Wood Bar 9,Panel 10 and Frame 11
- Look at detail view for more detail

A



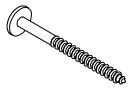
6pcs



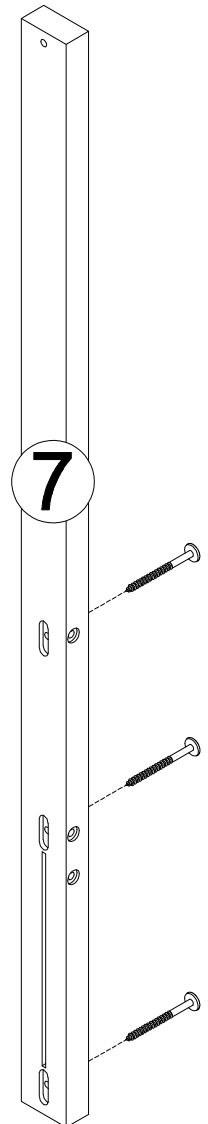
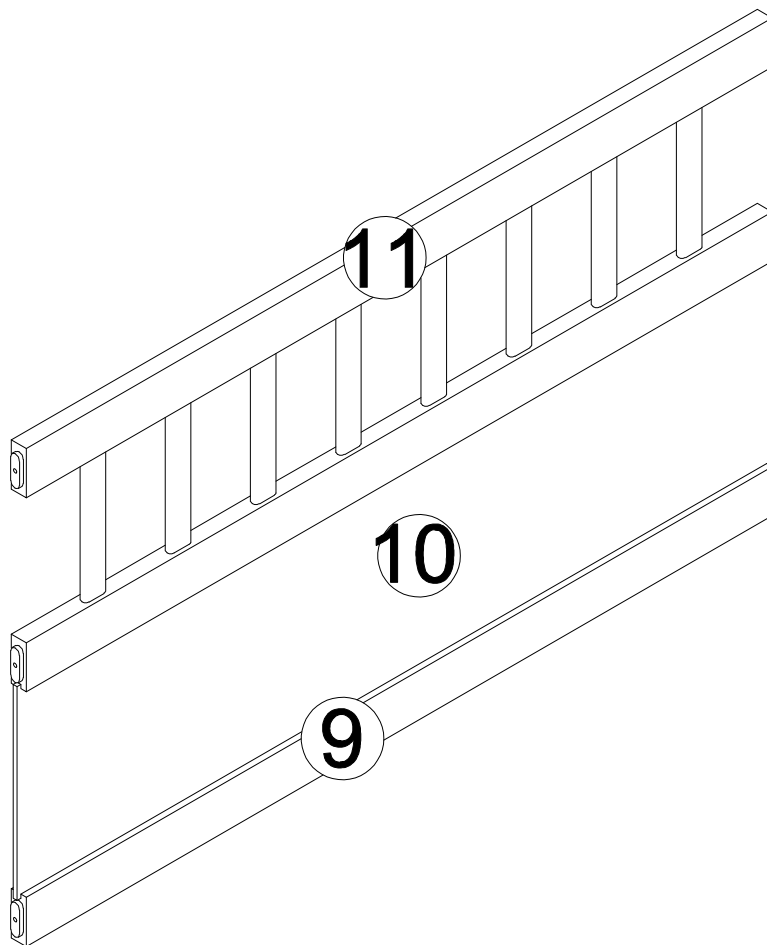
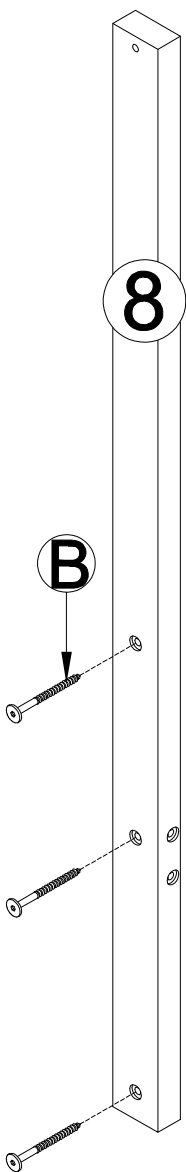
# STEP 2: Following below illustration:

- Using hardware #B to Connect 7,8 Legs With Wood Bar 9, Panel 10 and Frame 11
- Look at detail view for more detail

**B**




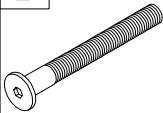

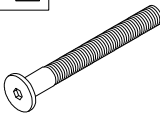


6pcs

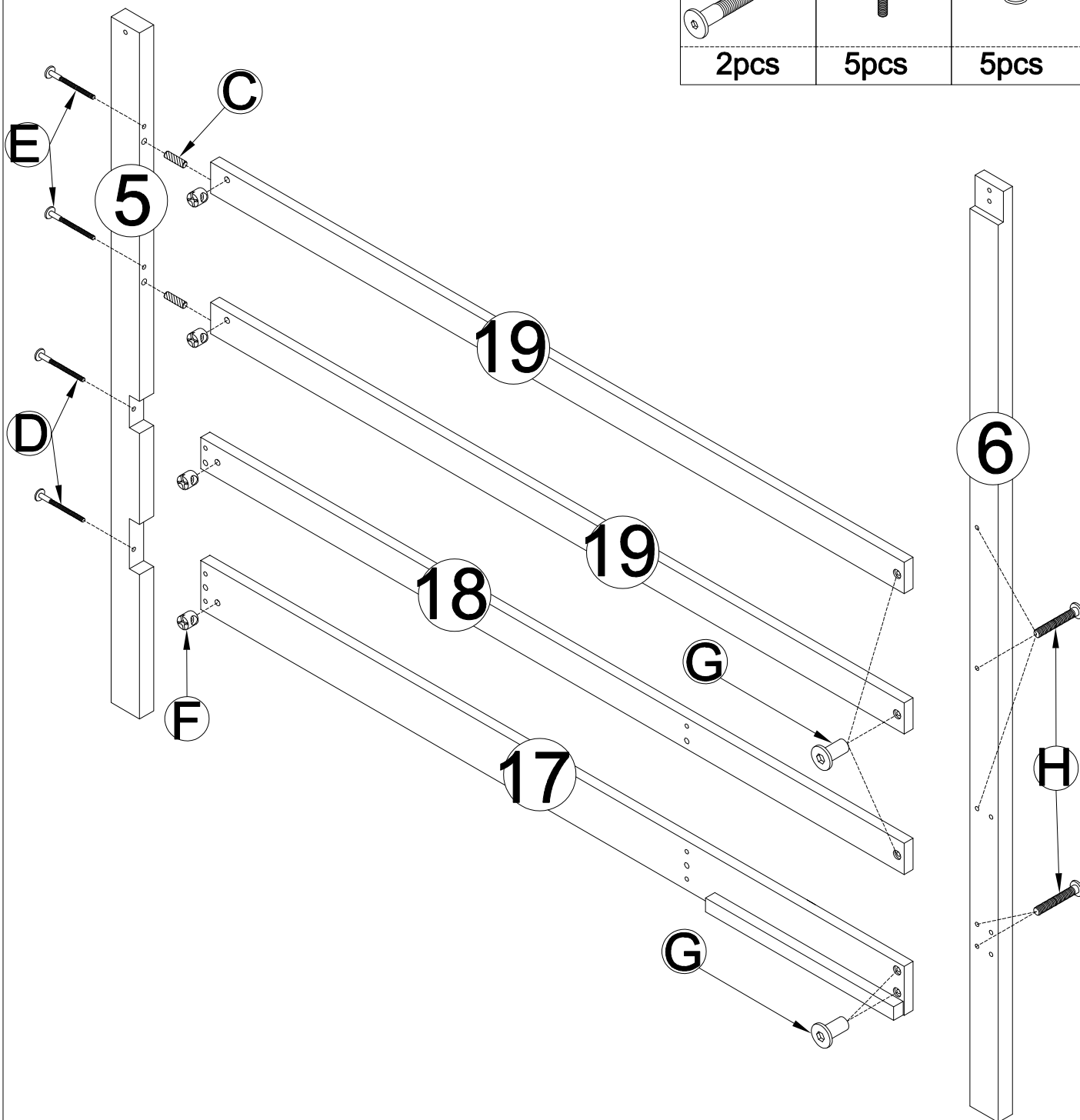




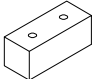
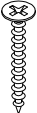
# STEP 3: Following below illustration:

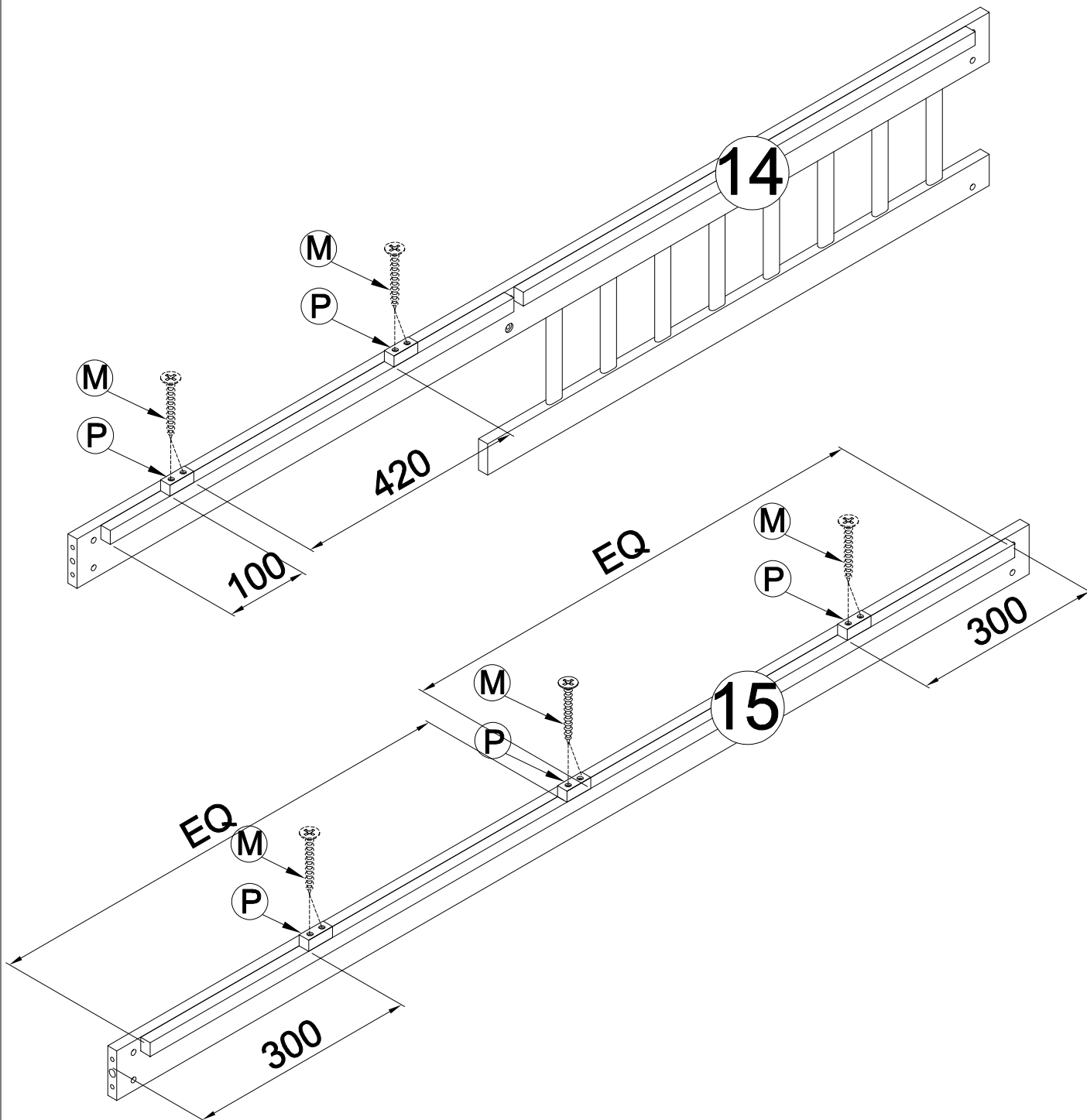
-Using hardware #D,#E,#F,#G,#H and Dowel C to Connect 5,6 Legs With Wood Bar 17,19(x2) and Side Rail 17  
 -Look at detail view for more detail

|   |   |   |
|---|---|---|
| <b>F</b><br><br>4pcs | <b>D</b><br><br>2pcs | <b>C</b><br><br>2pcs |
| <b>E</b><br><br>2pcs  | <b>H</b><br><br>5pcs | <b>G</b><br><br>5pcs |



# STEP 4: Following below illustration:

|   |   |
|---|---|
| <b>P</b><br> | <b>M</b><br> |
| 5pcs  | 10pcs   |


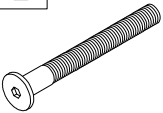

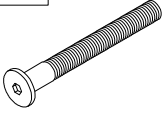


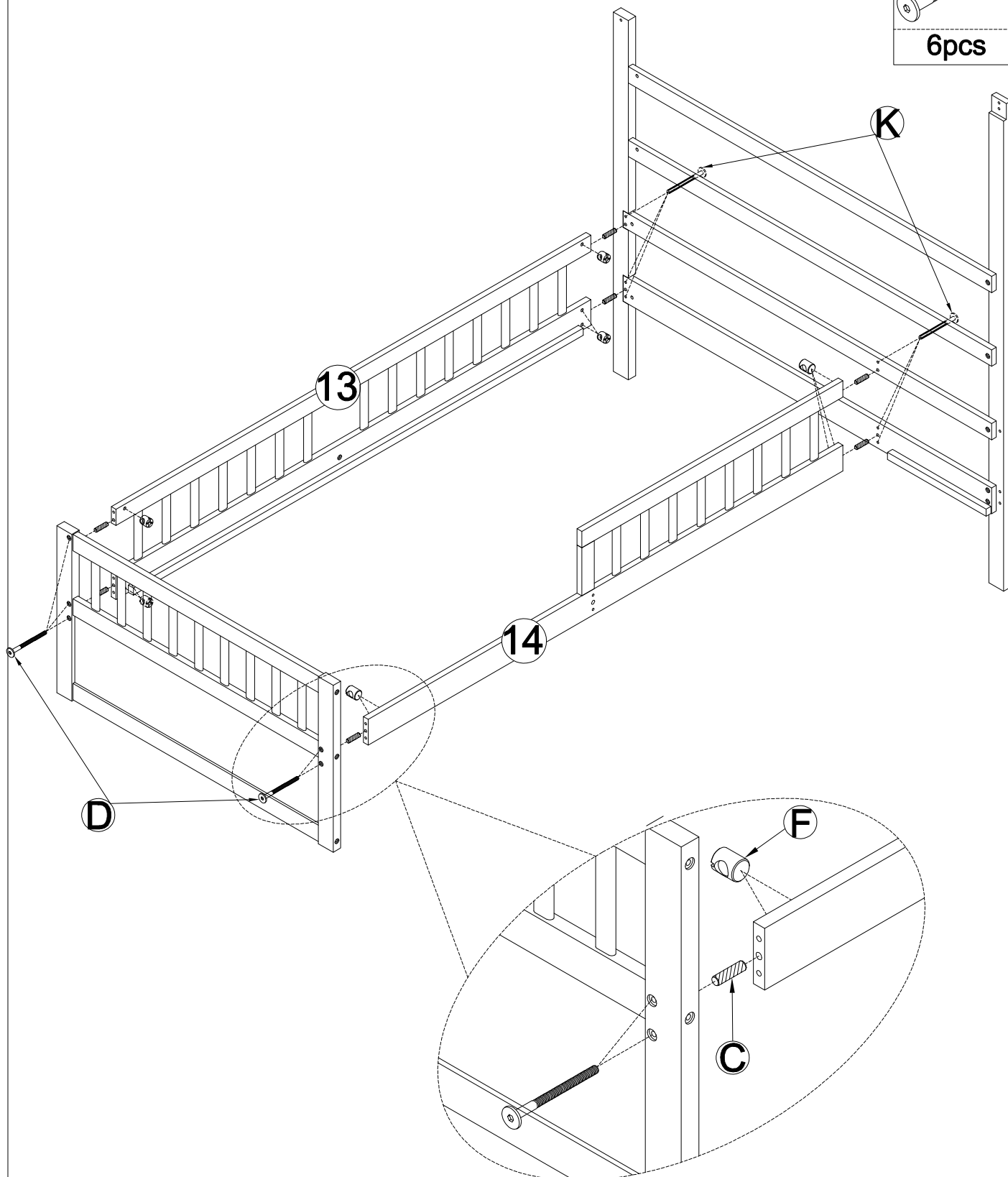
# STEP 5: Following below illustration:

-Using hardware #D,#F,#K and Dowel C to Connect Frames(completed on step 1,step 3)

With Side Rail Frames 13,14

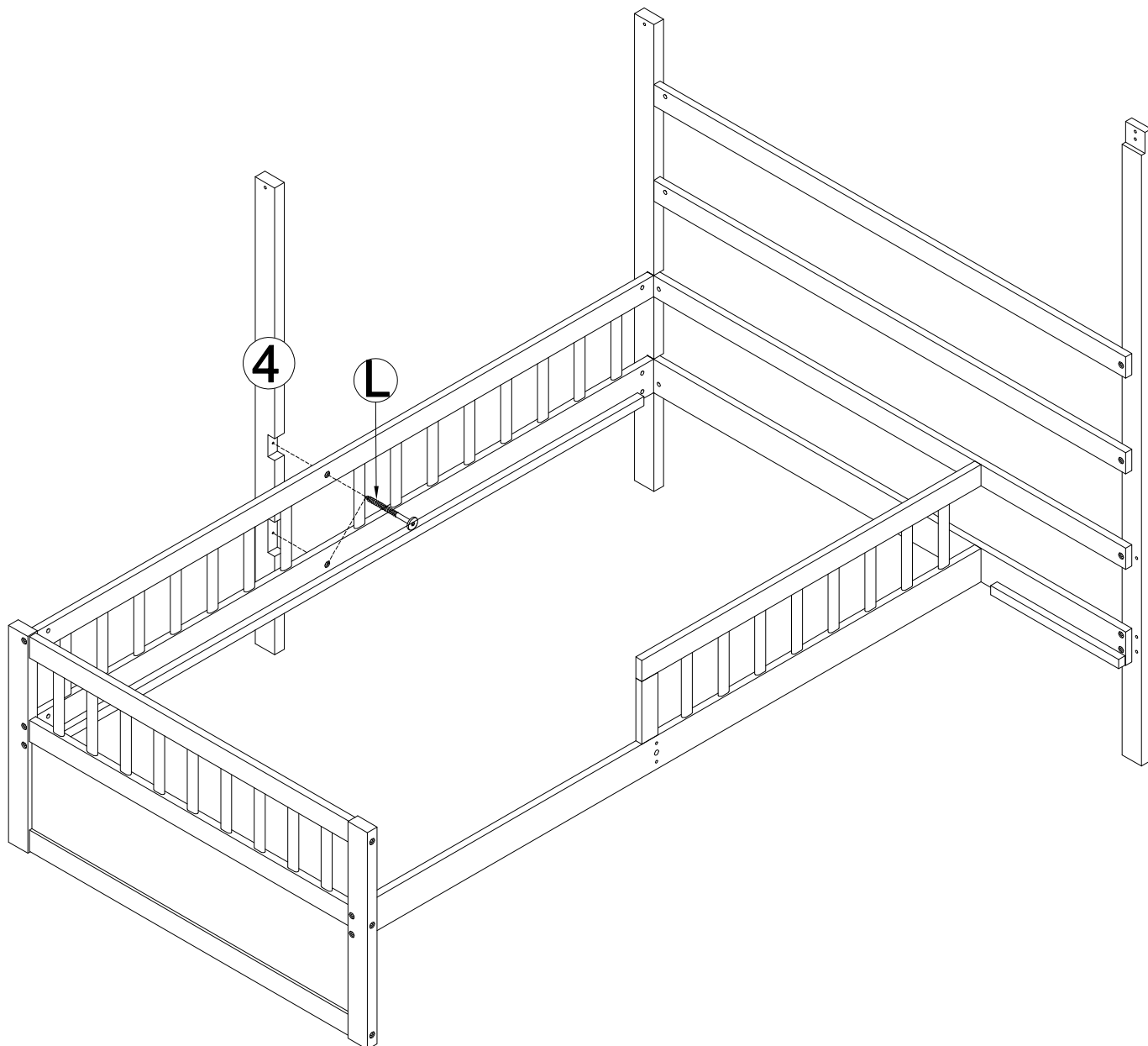
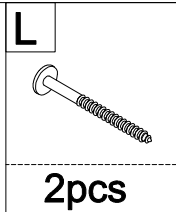
-Look at detail view for more detail

|   |   |   |
|---|---|---|
| <b>F</b><br> | <b>D</b><br> | <b>C</b><br> |
| 11pcs   | 5pcs  | 7pcs  |
|   |   | <b>K</b><br> |
|   |   | 6pcs  |



# STEP 6: Following below illustration:

- Using hardward #L to Connect Frames(completed on step 5) With Leg 4
- Look at detail view for more detail




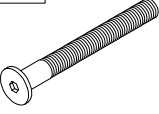



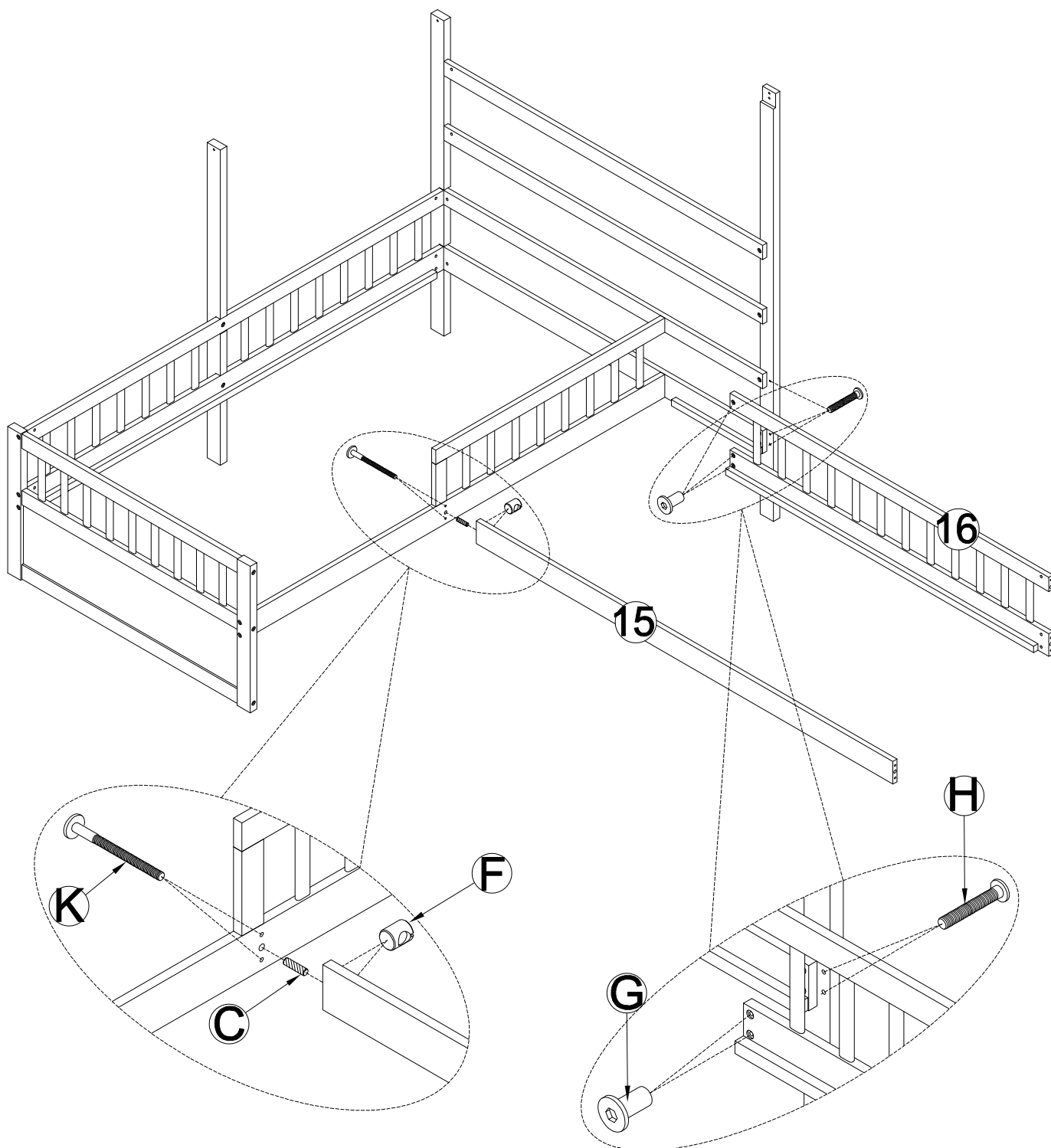
# STEP 7: Following below illustration:

-Using hardware #F,#G,#H,#K and Dowel C to Connect Frames(completed on step 6)

With Side Rails 15,16

-Look at detail view for more detail

|   |   |   |
|---|---|---|
| <b>F</b><br><br>2pcs | <b>H</b><br><br>3pcs | <b>G</b><br><br>3pcs |
| <b>K</b><br><br>2pcs | <b>C</b><br><br>1pc  |   |



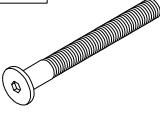


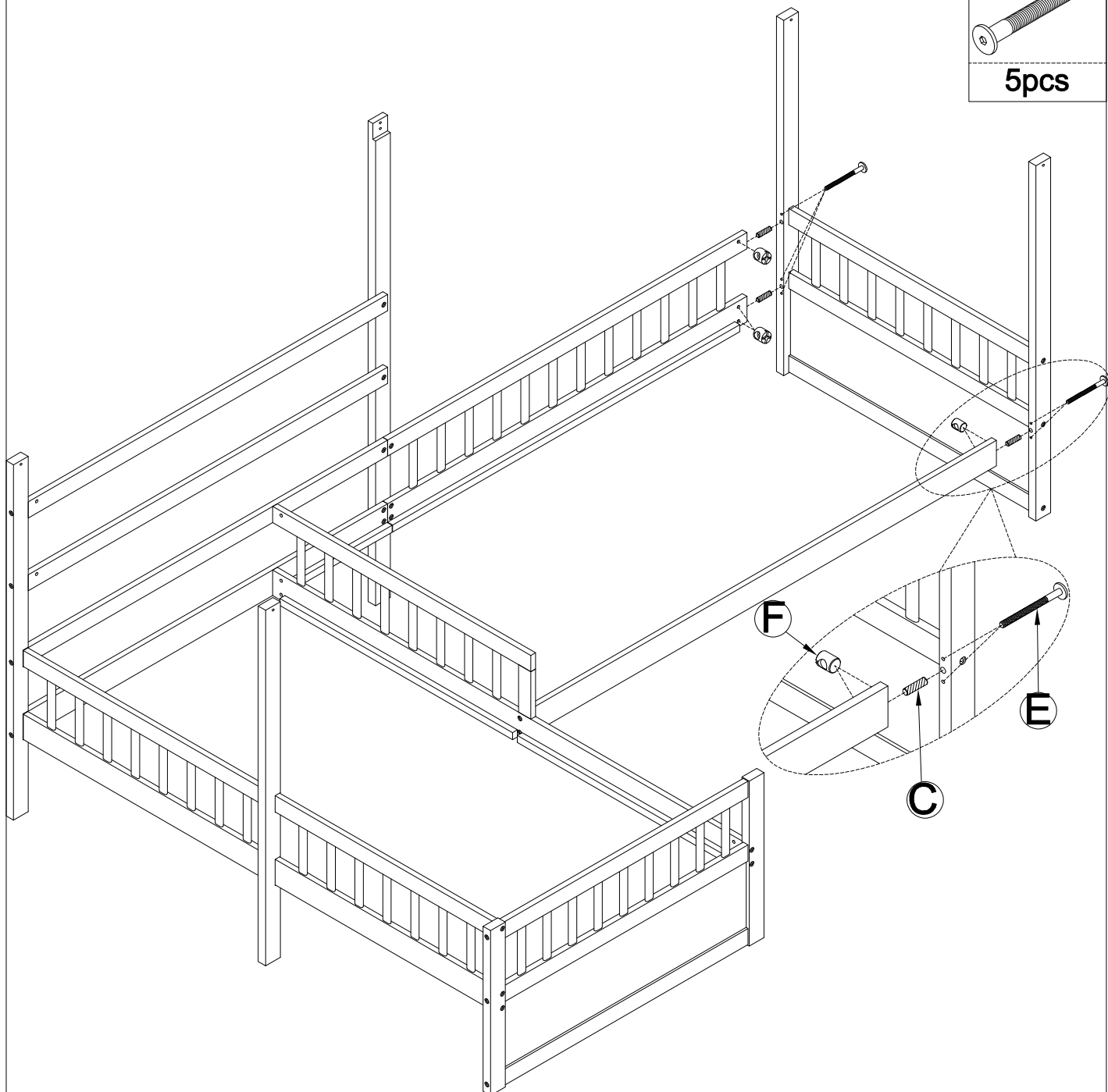
# STEP 8: Following below illustration:

-Using hardware #E,#F and Dowel C to Connect Frames(completed on step 7)

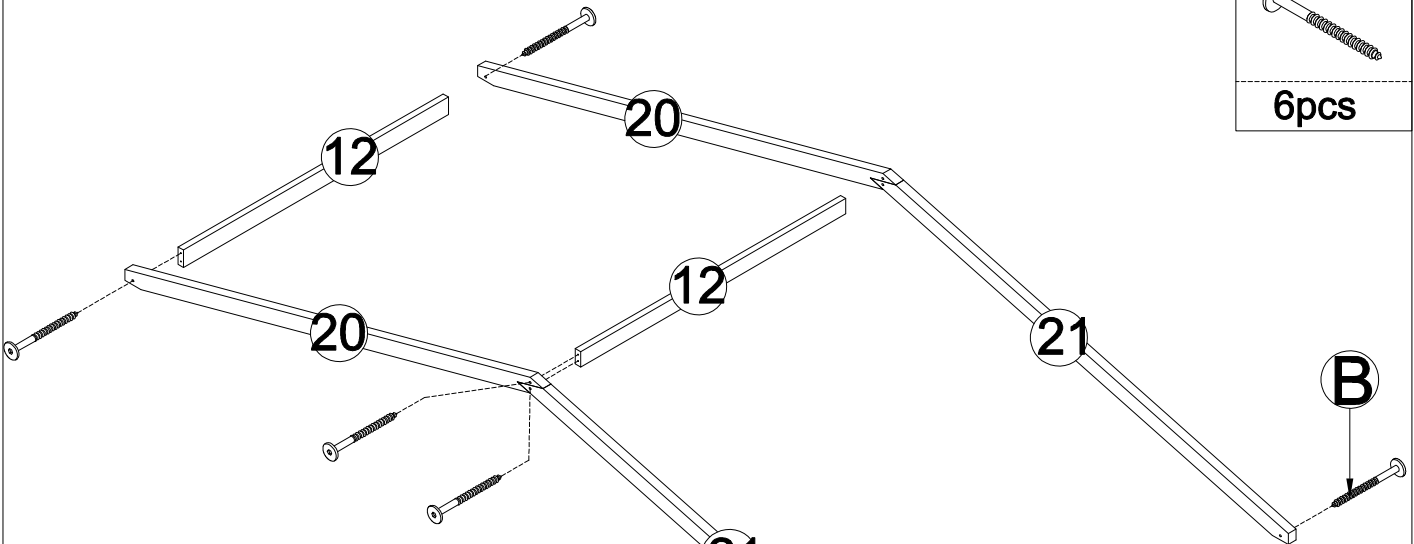
With Frames(completed on step 2)


-Look at detail view for more detail

|   |   |
|---|---|
| <b>F</b><br><br>5pcs | <b>C</b><br><br>3pcs |
| <b>E</b><br><br>5pcs |   |

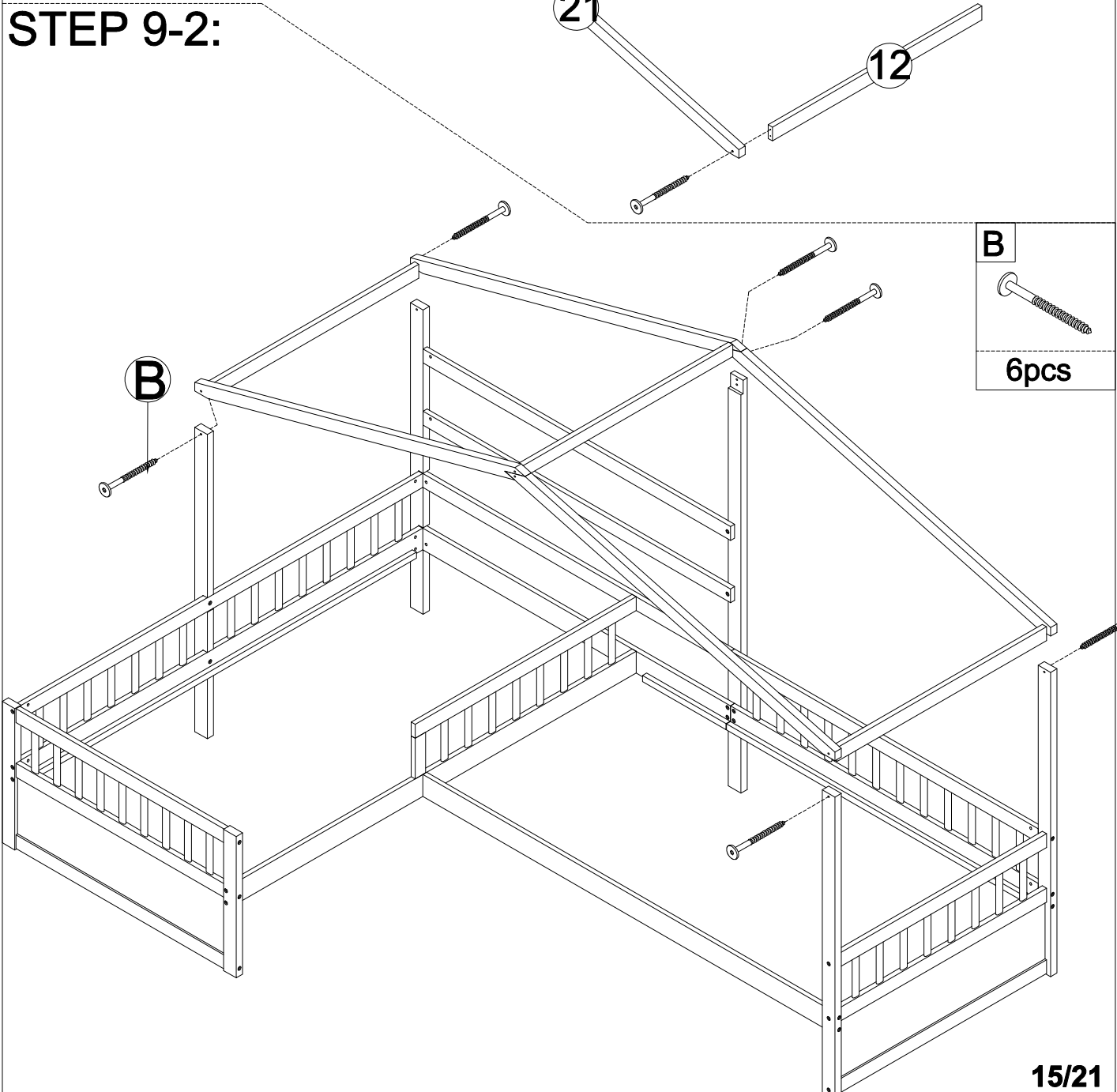



# STEP 9-1:



|   |
|---|
| <b>B</b>  |
|  |
| 6pcs  |

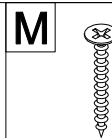
# STEP 9-2:



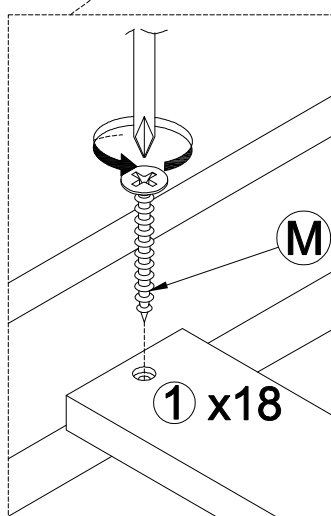
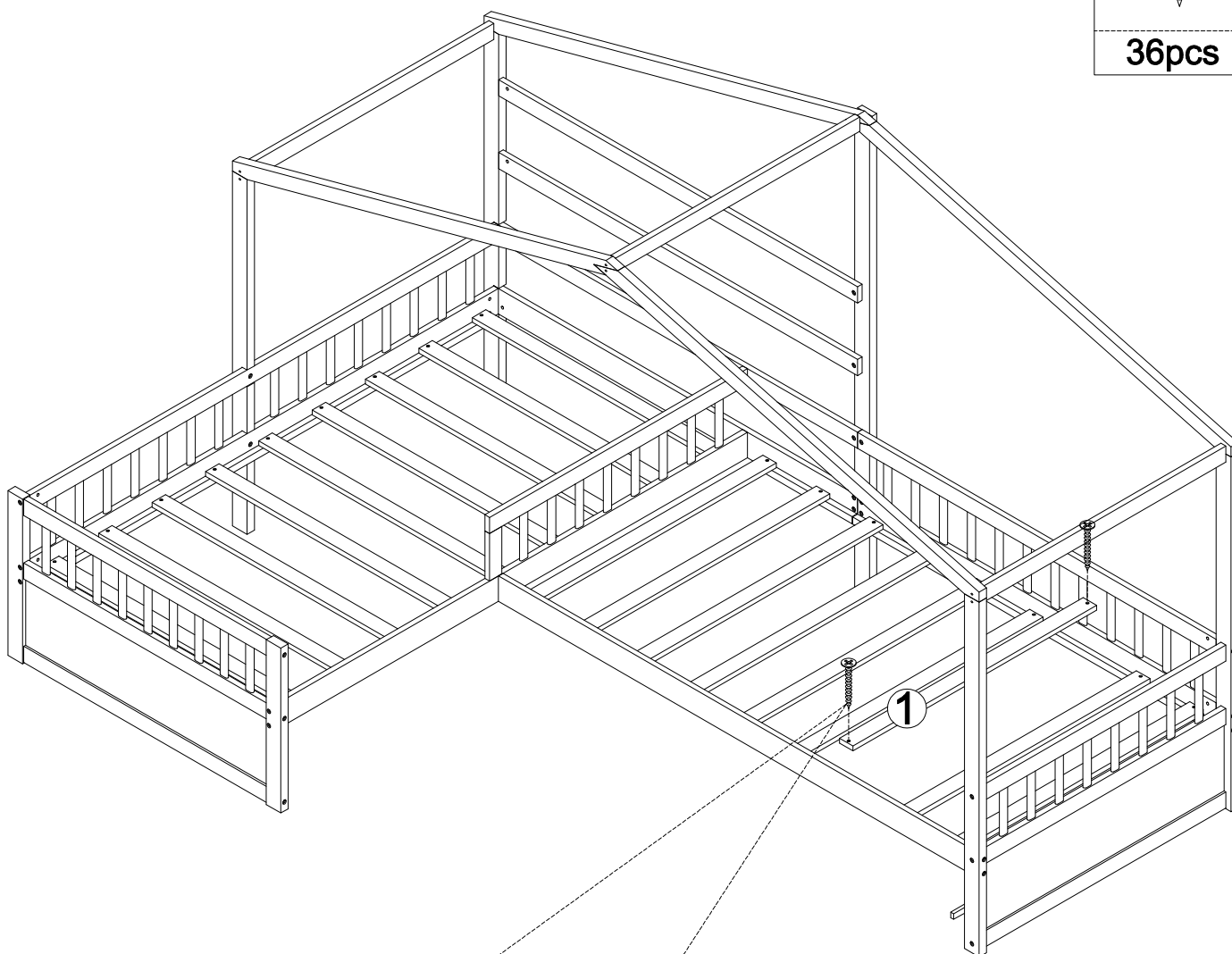
|   |
|---|
| <b>B</b>  |
|  |
| 6pcs  |

# STEP 10: Following below illustration:

-Screw slats 1(x18) with Side Rail 13,14,15,16 by using hardward #M.




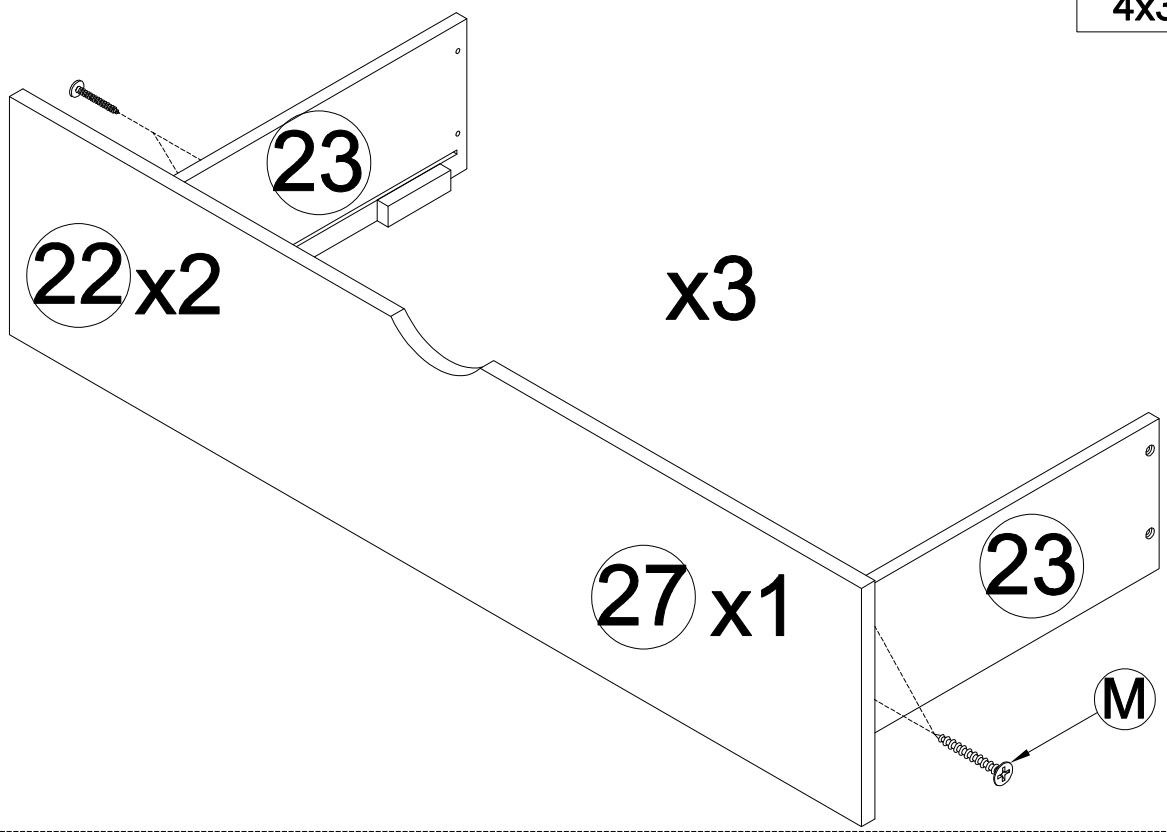
36pcs



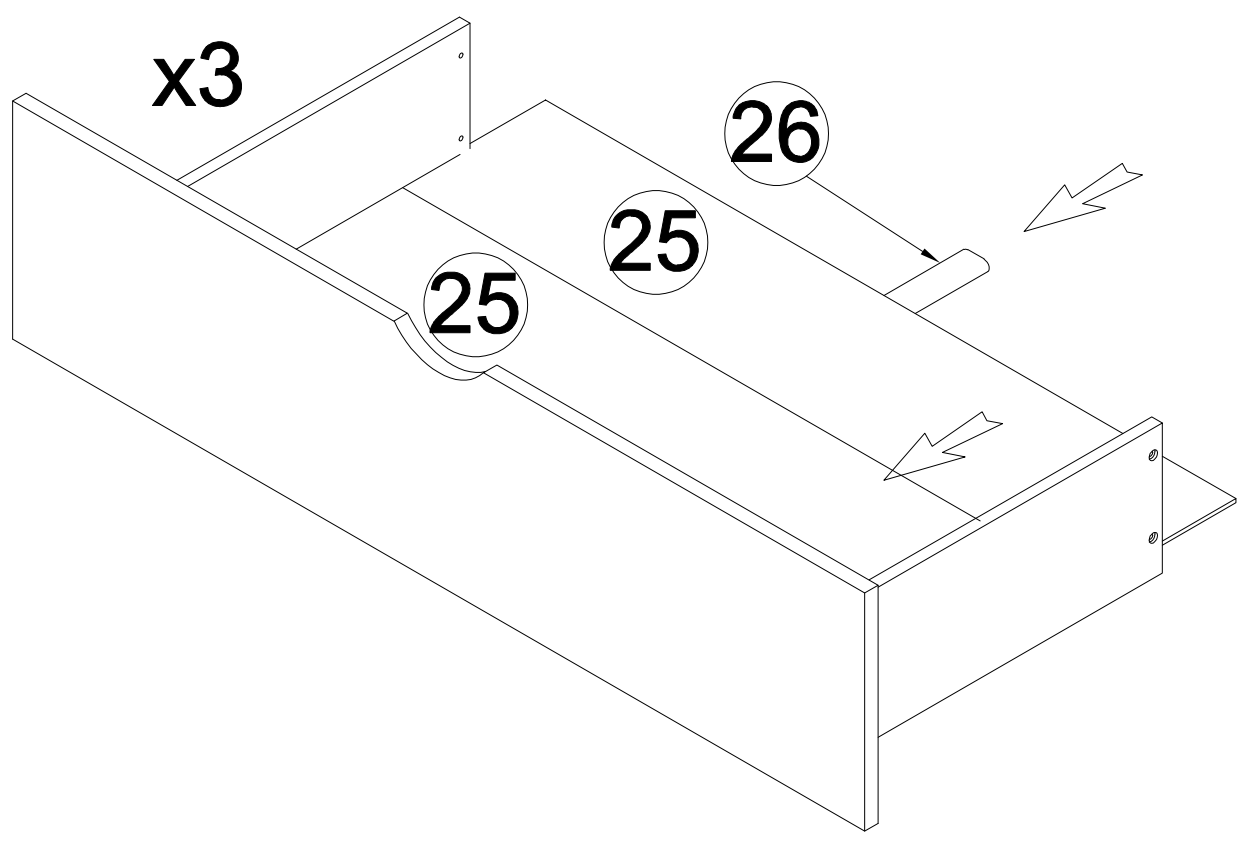


# STEP 11-1:

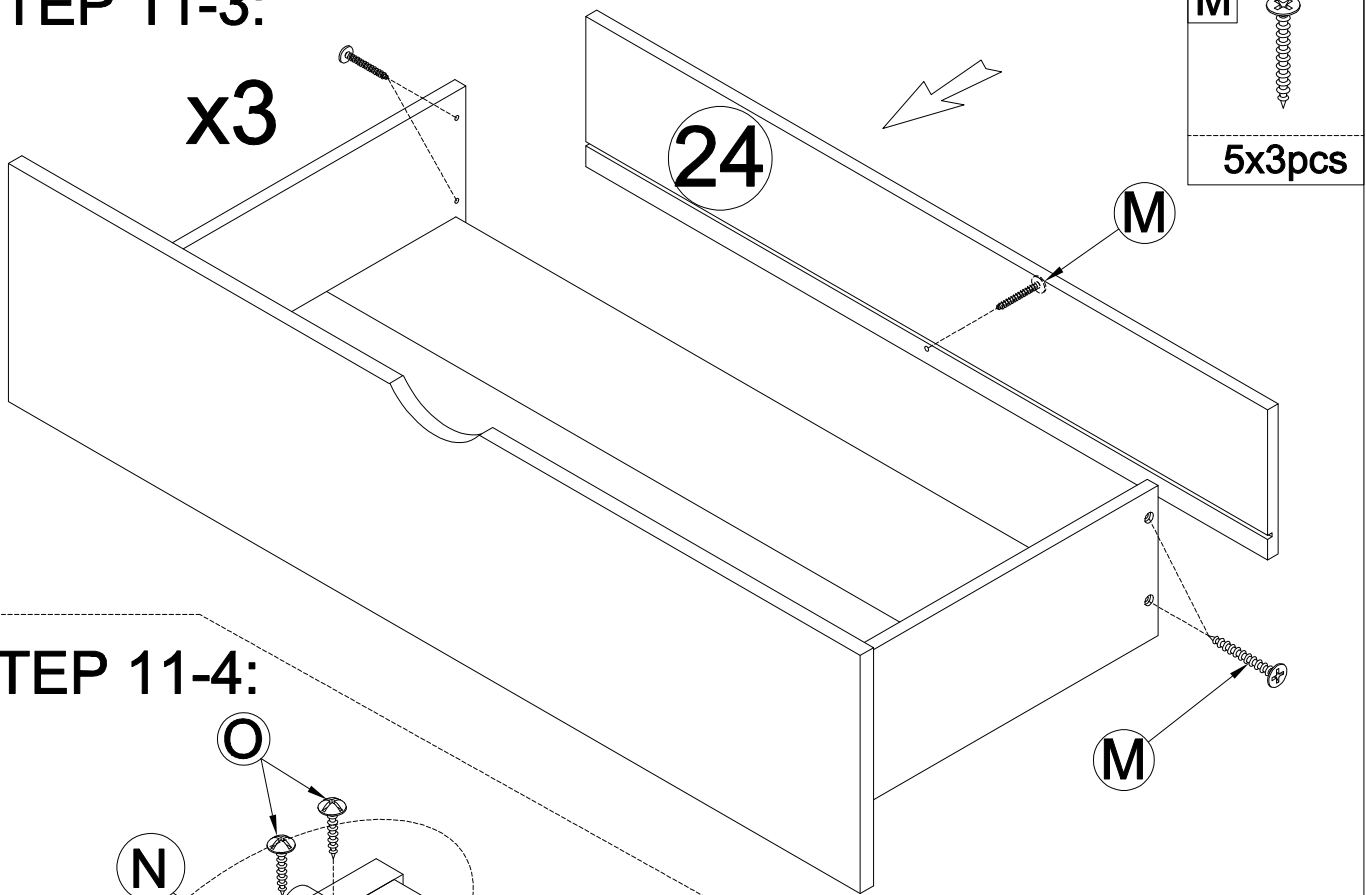
|        |   |
|--------|---|
| M      |  |
| 4x3pcs |   |



# STEP 11-2:

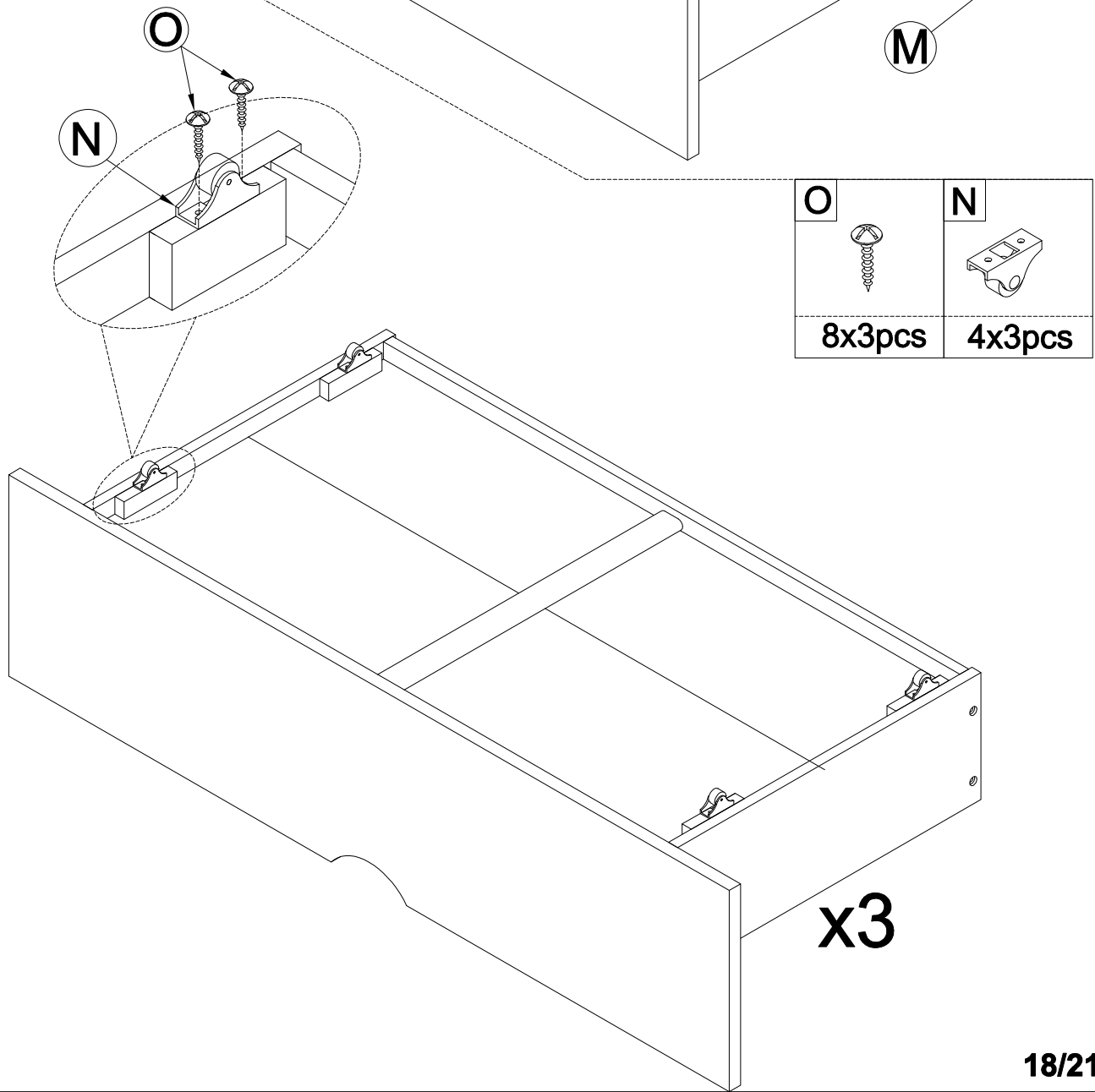


# STEP 11-3:



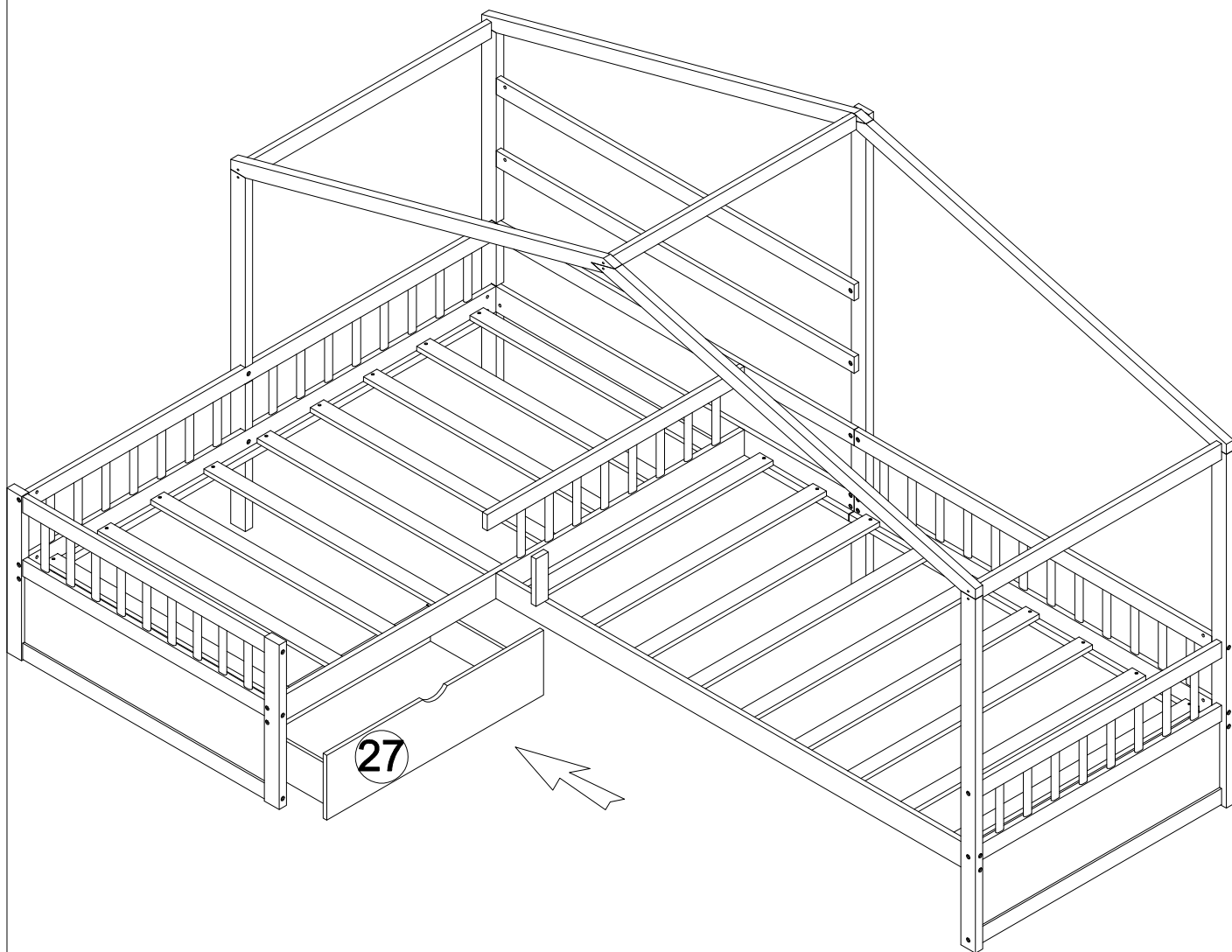
|        |  |
|--------|--|
| M      |  |
| 5x3pcs |  |

# STEP 11-4:

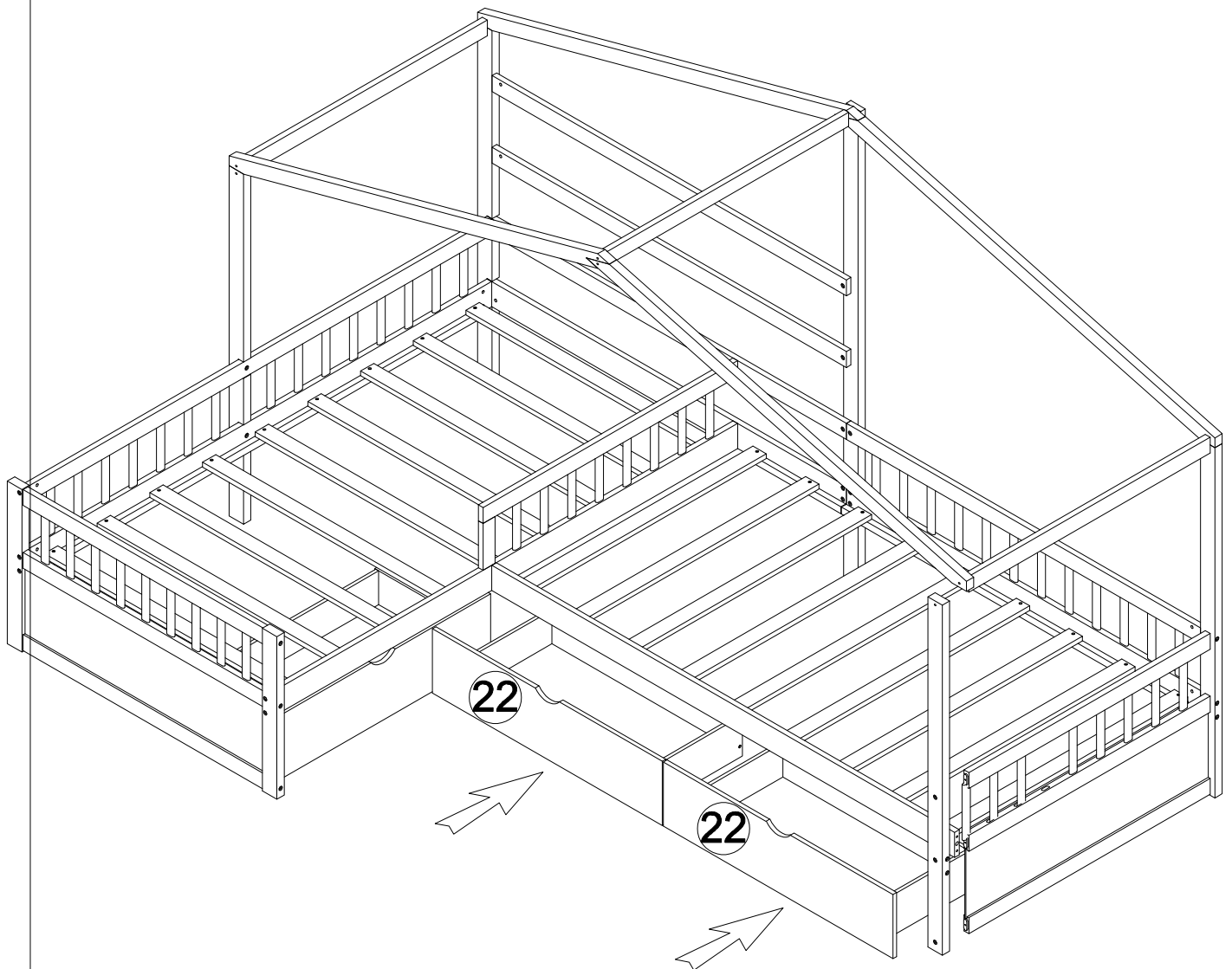


|        |  |        |  |
|--------|--|--------|--|
| O      |  | N      |  |
| 8x3pcs |  | 4x3pcs |  |

# STEP 12: Push 1 Drawer on right place



# STEP 13: Push 2 Drawers on right place



**CONGRARULATION. YOU HAVE COMPLETED THE BED**

