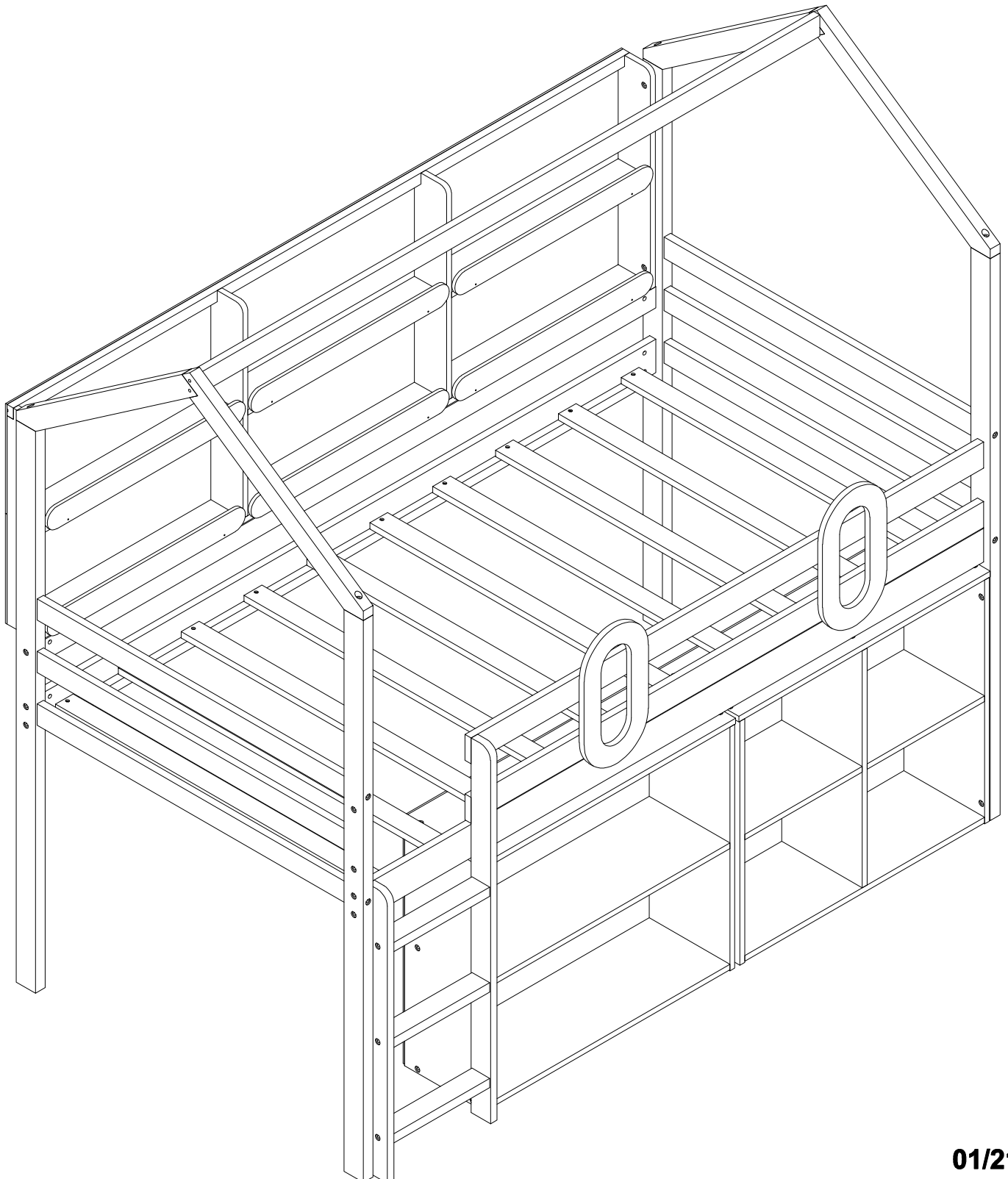


# ASSEMBLY INSTRUCTION

SKU CODE: (WF309004-WF309005)

**This set is included 2 boxes if don't receive full 2 boxes please contact our customer service team**



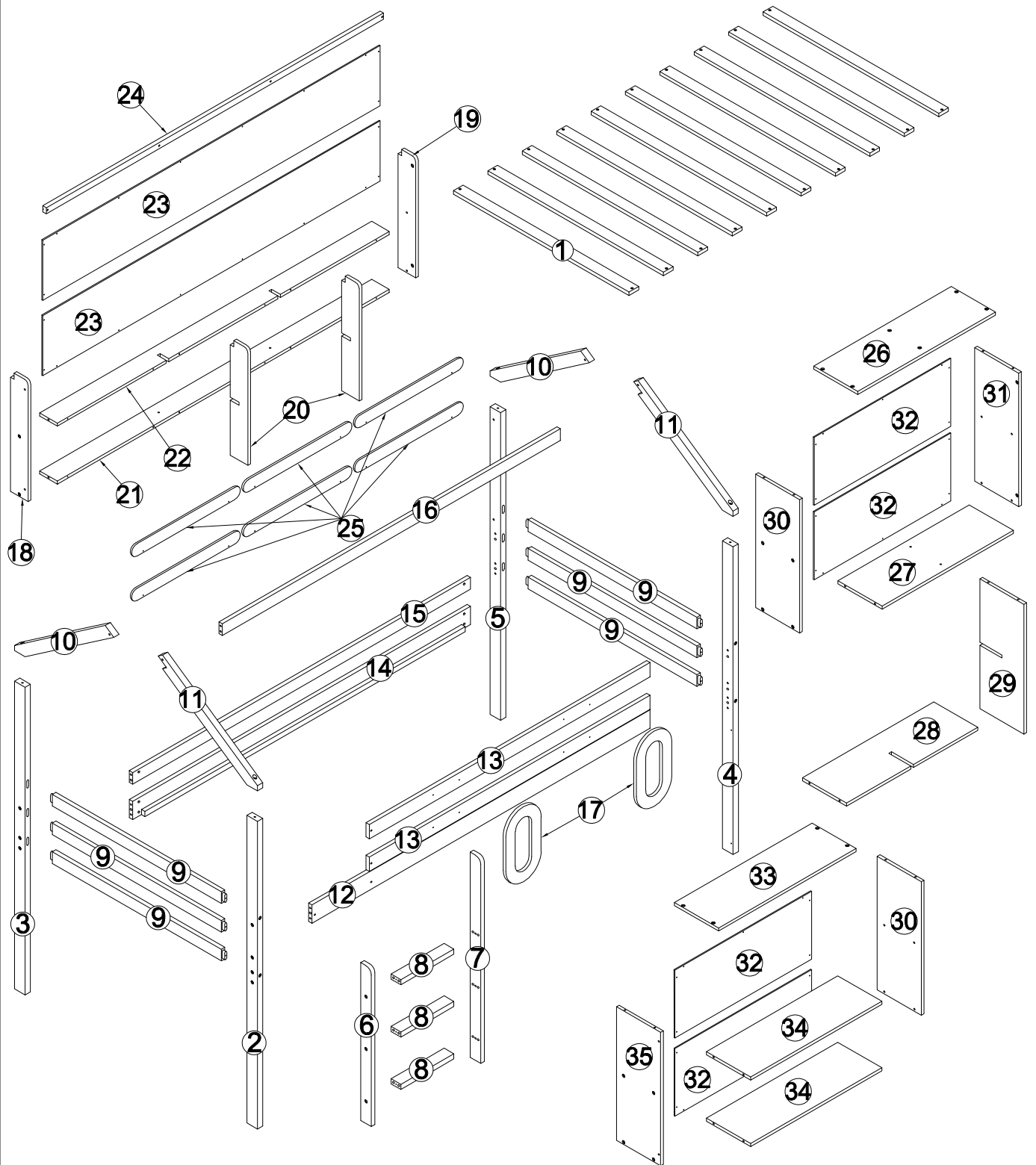
## **SAFETY WARNINGS AND GENERAL NOTES:**

1. Do not use substitute parts. Contact the manufacturer or dealer for replacement parts.
2. Keep these instructions for future reference.
3. We recommend assembling your bed on the shipping carton to protect your floor or carpet.
4. Be certain all staples are out of the box before beginning assembly on the shipping carton.







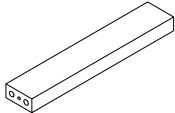
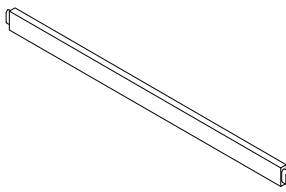
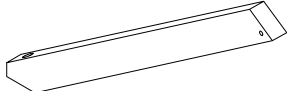
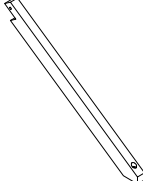
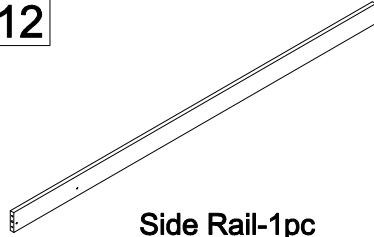
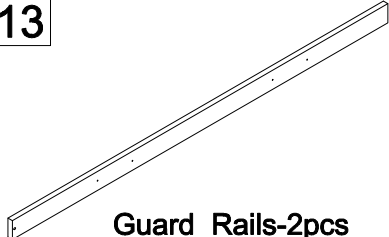
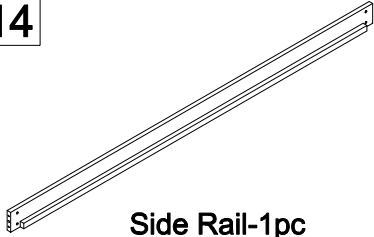
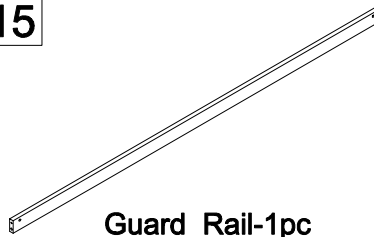
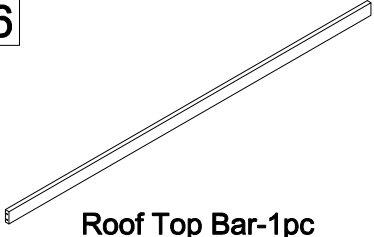

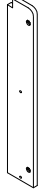

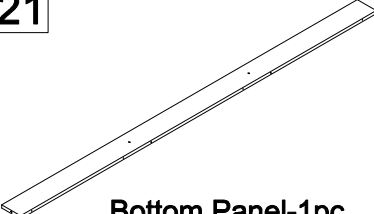
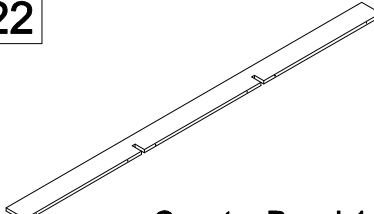
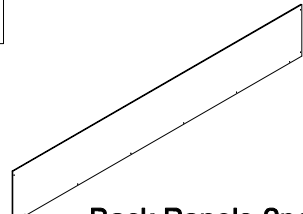
### **5.Replacement Parts:**

Replacement Parts, including additional guardrails, may be obtained from any of our (GIGACLOUD TECHNOLOGY (USA) INC.) dealers

# ASSEMBLY INSTRUCTION

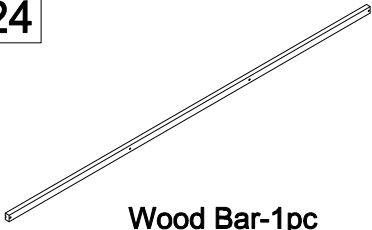


# Part List & Hardware List (Box 1-WF309004)

<p><b>2</b></p>  <p>Leg-1pc</p>	<p><b>3</b></p>  <p>Leg-1pc</p>	<p><b>4</b></p>  <p>Leg-1pc</p>
<p><b>5</b></p>  <p>Leg-1pc</p>	<p><b>6</b></p>  <p>Side Stair-1pc</p>	<p><b>7</b></p>  <p>Side Stair-1pc</p>
<p><b>8</b></p>  <p>Step Stairs-3pcs</p>	<p><b>9</b></p>  <p>Wood Bars-6pcs</p>	<p><b>10</b></p>  <p>Roof Top Bars-2pcs</p>
<p><b>11</b></p>  <p>Roof Top Bars-2pcs</p>	<p><b>12</b></p>  <p>Side Rail-1pc</p>	<p><b>13</b></p>  <p>Guard Rails-2pcs</p>
<p><b>14</b></p>  <p>Side Rail-1pc</p>	<p><b>15</b></p>  <p>Guard Rail-1pc</p>	<p><b>16</b></p>  <p>Roof Top Bar-1pc</p>
<p><b>18</b></p>  <p>Side Panel-1pc</p>	<p><b>19</b></p>  <p>Side Panel-1pc</p>	<p><b>20</b></p>  <p>Center Panels-2pcs</p>
<p><b>21</b></p>  <p>Bottom Panel-1pc</p>	<p><b>22</b></p>  <p>Cennter Panel-1pc</p>	<p><b>23</b></p>  <p>Back Panels-2pcs</p>

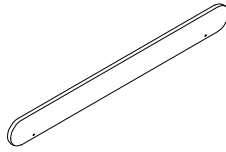
# Part List & Hardware List (Box 1-WF309004)

24



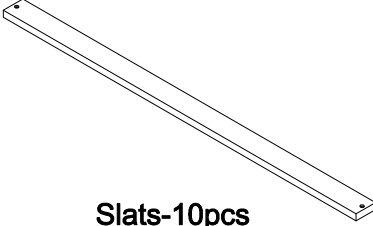
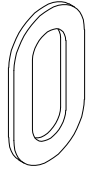
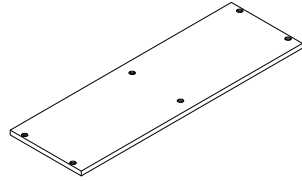
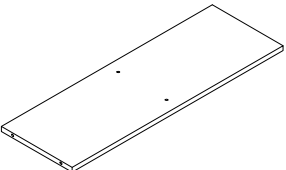
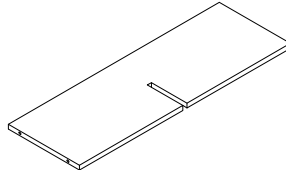
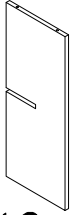


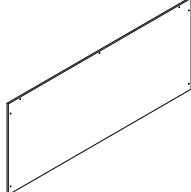
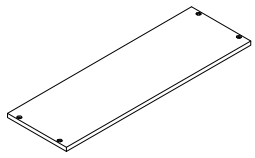
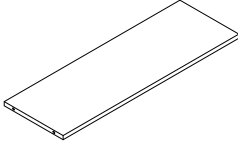
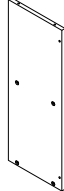
Wood Bar-1pc

25


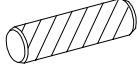
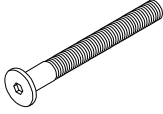



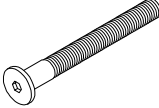

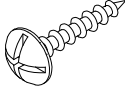

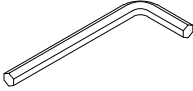


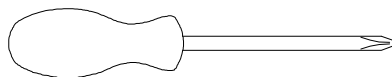
Panels-6pcs

# Part List (Box 2-WF309005)

<b>1</b>  Slats-10pcs	<b>17</b>  Panels-2pcs	<b>26</b>  Cabinet-Top Panel-1pc
<b>27</b>  Cabinet-Bottom Panel-1pc	<b>28</b>  Cabinet-Center Panel-1pc	<b>29</b>  Cabinet-Center Panel-1pc
<b>30</b>  Cabinet-Side Panels-2pcs	<b>31</b>  Cabinet-Side Panel-1pc	<b>32</b>  Cabinet-Back Panels-4pcs
<b>33</b>  Cabinet-Top Panel-1pc	<b>34</b>  Cabinet-Center Panels-2pcs	<b>35</b>  Cabinet-Side Panel-1pc

# Hardware List (Box 1-WF309004)


<p><b>A</b></p>  <p>Screws 1/4"x80mm 8pcs</p>	<p><b>B</b></p>  <p>Ø10 x 40 mm Wood dowel 20pcs</p>	<p><b>C</b></p>  <p>Ø1/4" x 80 mm Hex-Head bolts 16pcs</p>
<p><b>D</b></p>  <p>Ø1/4" x 13 mm Horizontal-Hole bolts 16pcs</p>	<p><b>E</b></p>  <p>Screws 1/4"x50mm 10pcs</p>	<p><b>F</b></p>  <p>M4 x 30 mm Wood Screws 28pcs</p>
<p><b>G</b></p>  <p>Ø1/4" x 60 mm Hex-Head bolts 4pcs</p>	<p><b>H</b></p>  <p>Ø1/4" x 25mm Hex-Head bolts 46pcs</p>	<p><b>K</b></p>  <p>M4 x15 mm Wood Screws 55pcs</p>
<p><b>L</b></p>  <p>M4 x 25 mm Wood Screws 12pcs</p>	<p><b>N</b></p>  <p>Allen Key 1pc</p>	

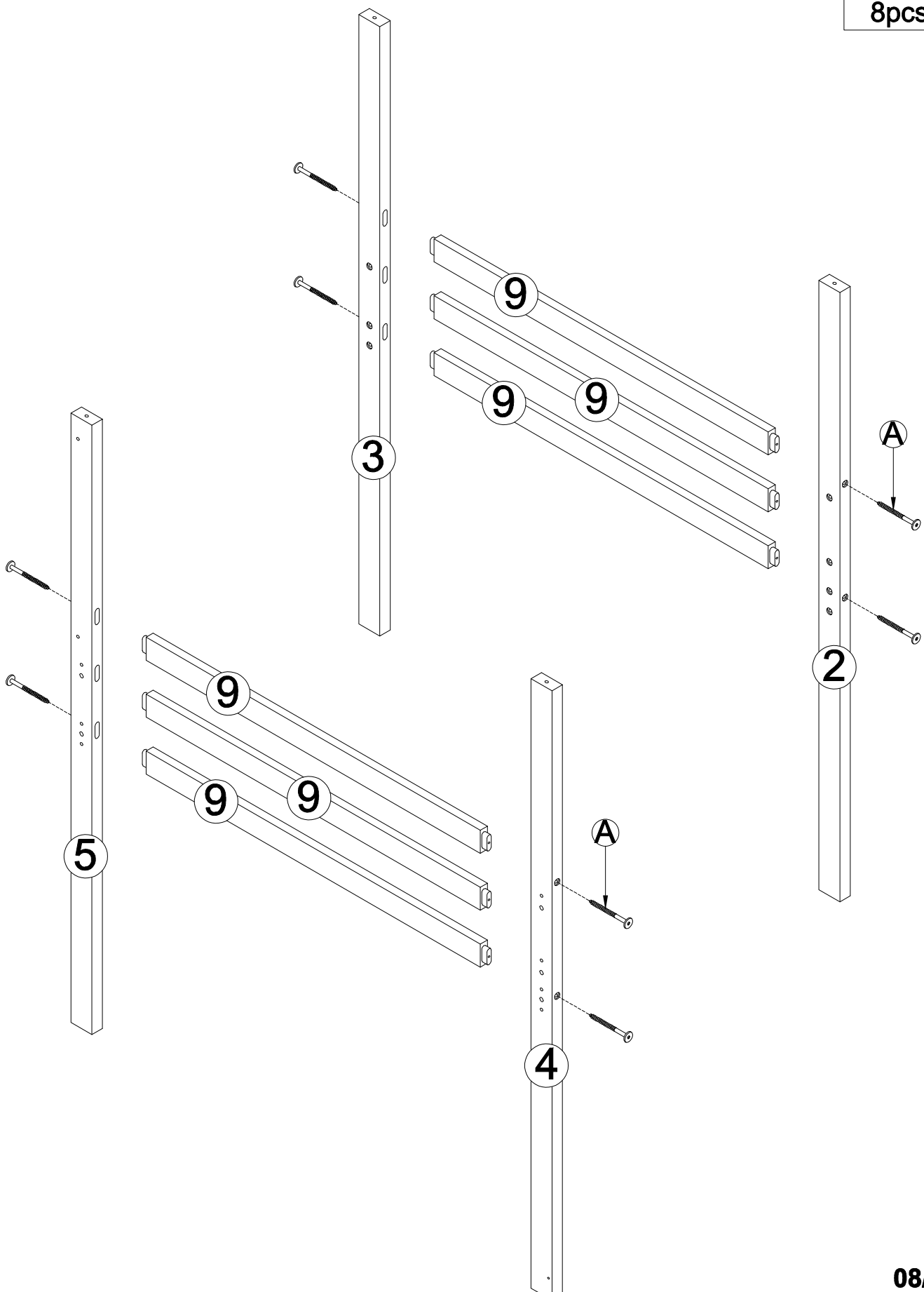


**Assembly Tools Required (Not Included)**

# STEP 1: Following below illustration:

- Using hardware #A to Connect 2,3 Legs With 9(x3) Wood Bars
- Using hardware #A to Connect 4,5 Legs With 9(x3) Wood Bars
- Look at detail view for more detail


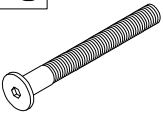

A

8pcs

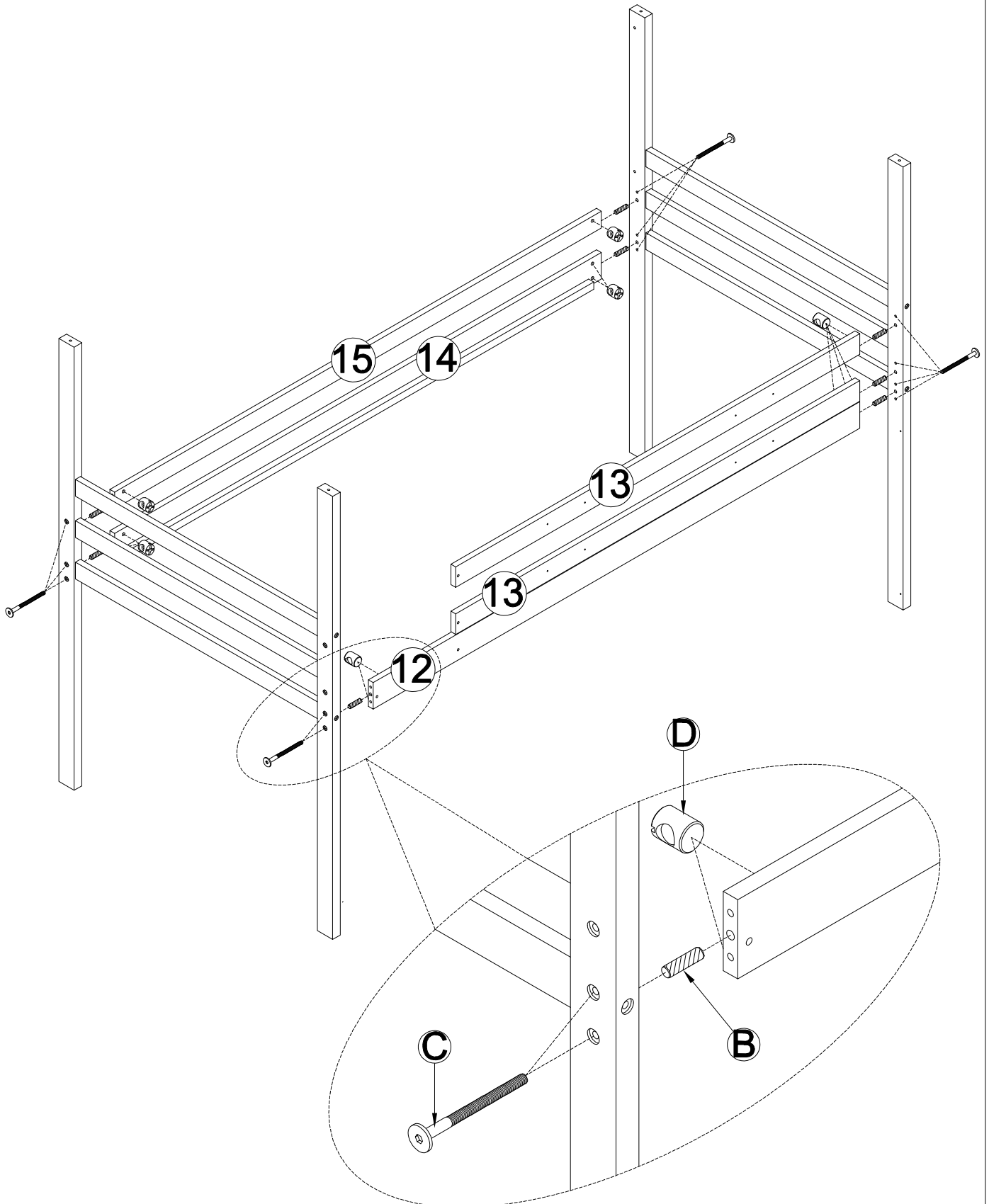




# STEP 2: Following below illustration:

- Using hardware #C,#D and dowel B to Assembly Frames (Completed on step 1)
- With Side Rails 12,14 and Guard Rails 13(x2),15
- Look at detail view for more detail

<b>D</b> 	<b>C</b> 	<b>B</b> 
12pcs	12pcs	8pcs





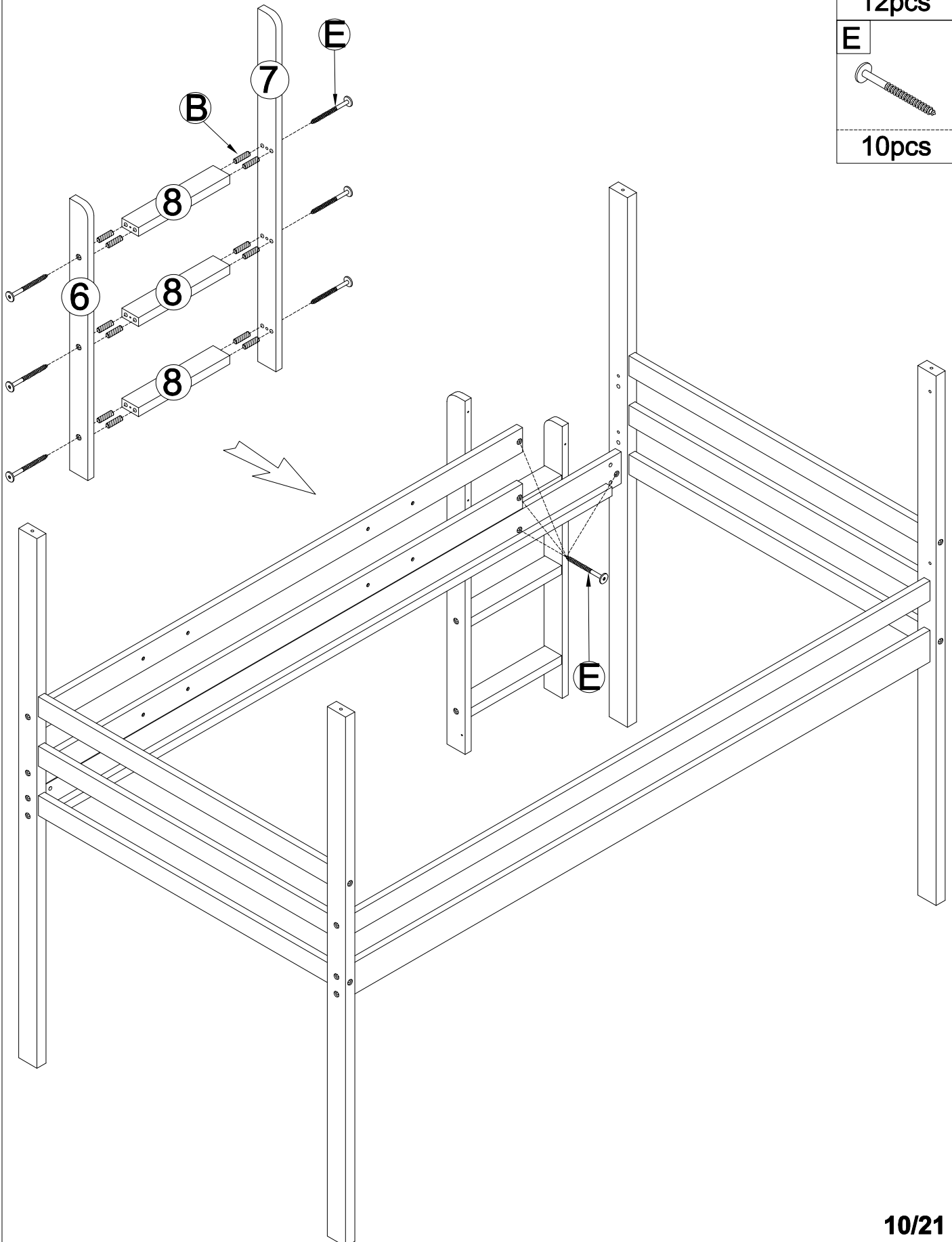
# STEP 3: Following below illustration:

3.1: Using hardware #E and dowel B to Connect 6,7 Side Stairs with 8(x3) Step Stairs

3.2: Using hardware #E to Connect Frame (completed on step 3.1) with Frame (completed on step 2)

-Look at detail view for more detail

<b>B</b>	
	12pcs
<b>E</b>	
	10pcs



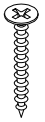
# STEP 4:

Following below illustration:

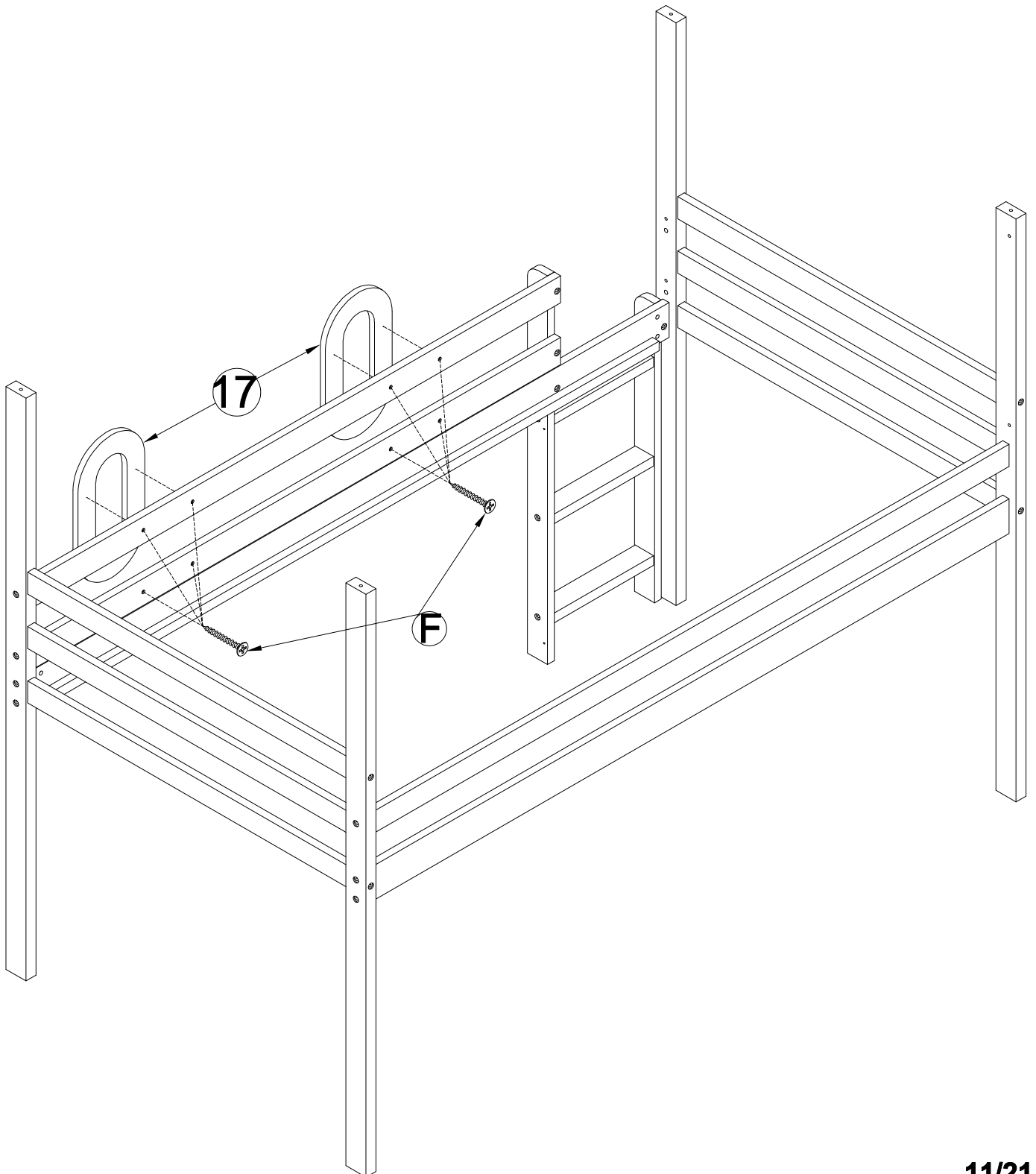
-Using hardware #F to Connect Frame(completed on step 3.2) with 17(x2) Panels

-Look at detail view for more detail

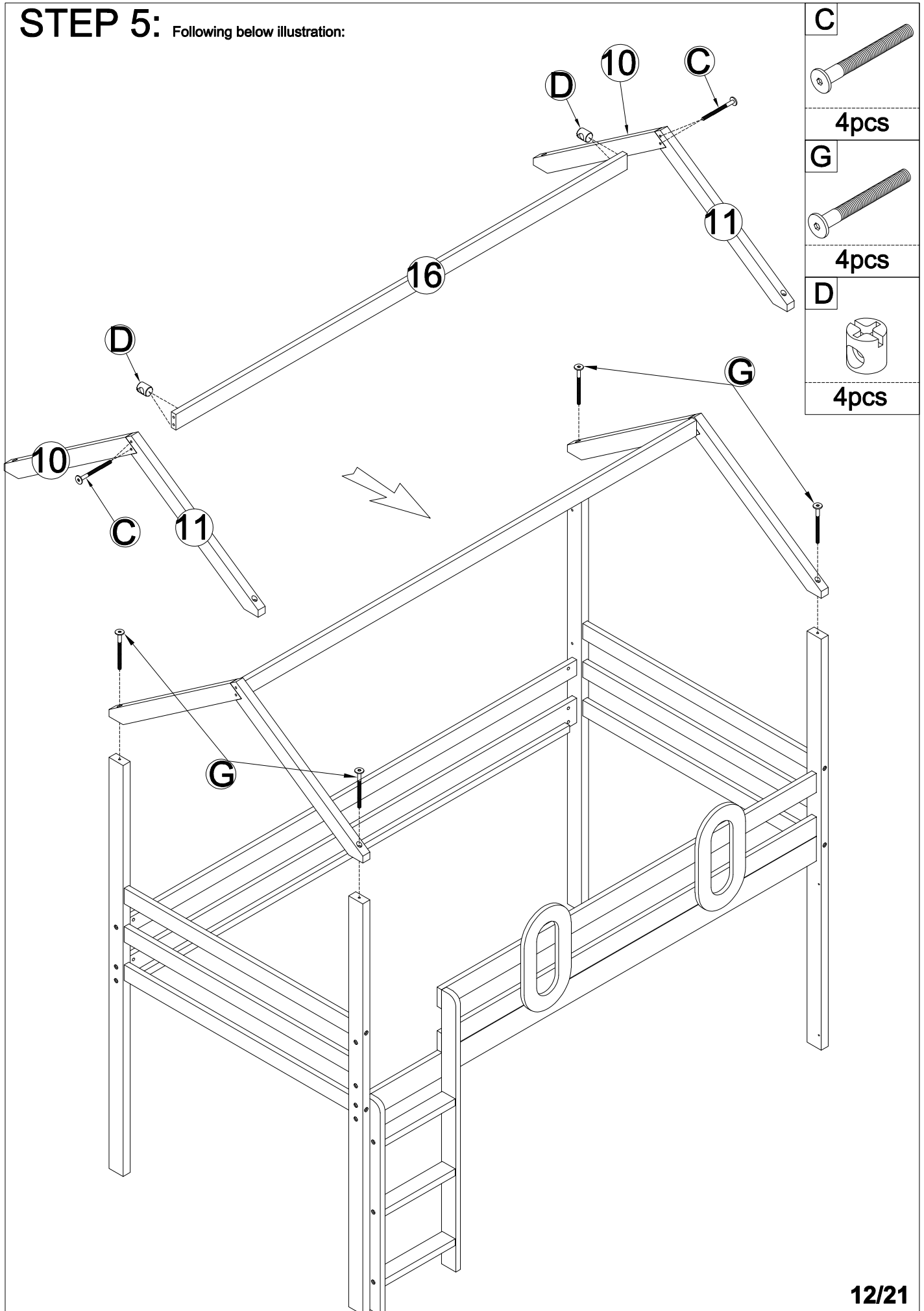
F



8pcs

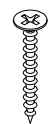


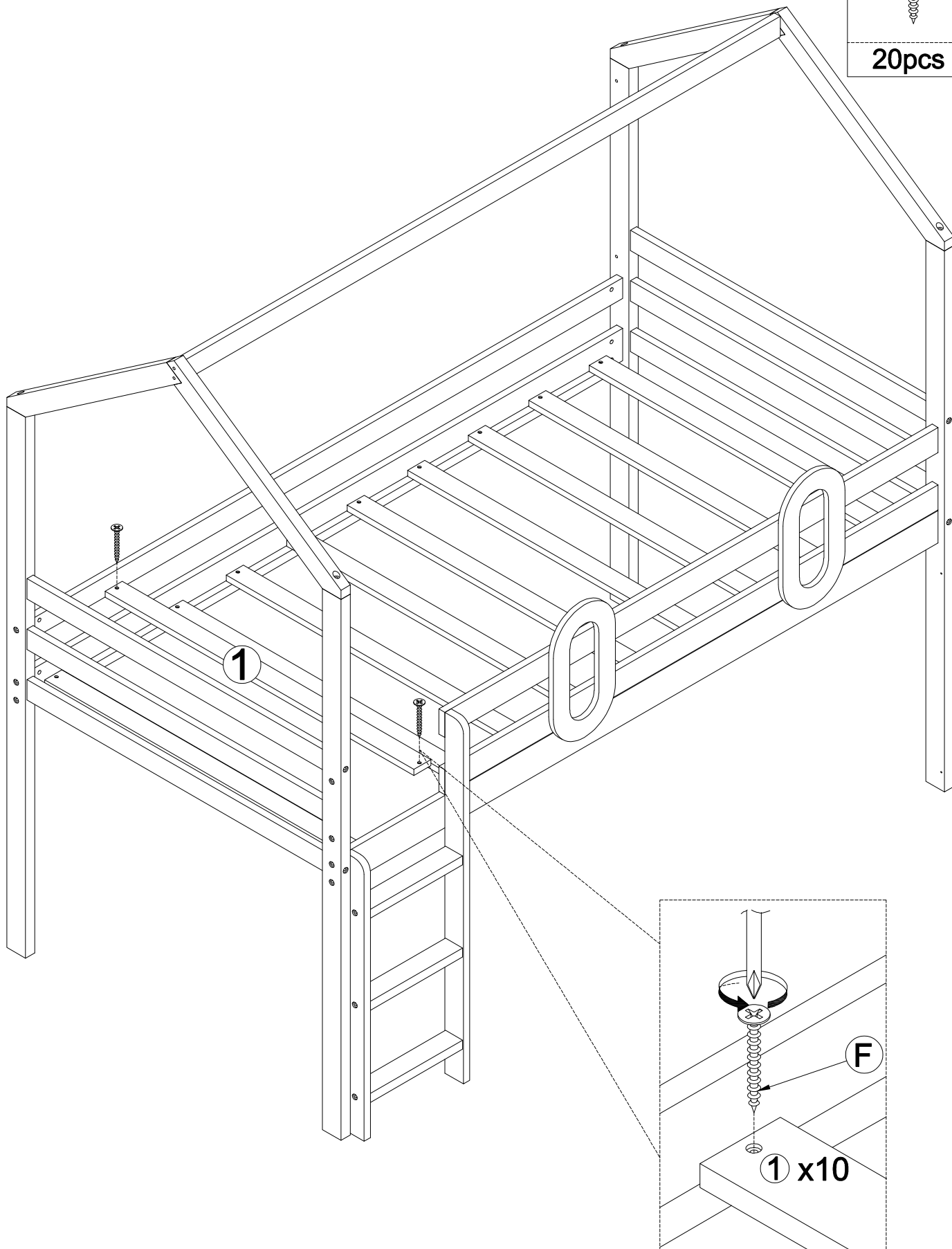
**STEP 5:** Following below illustration:



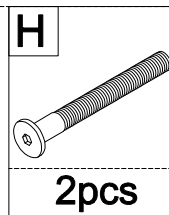
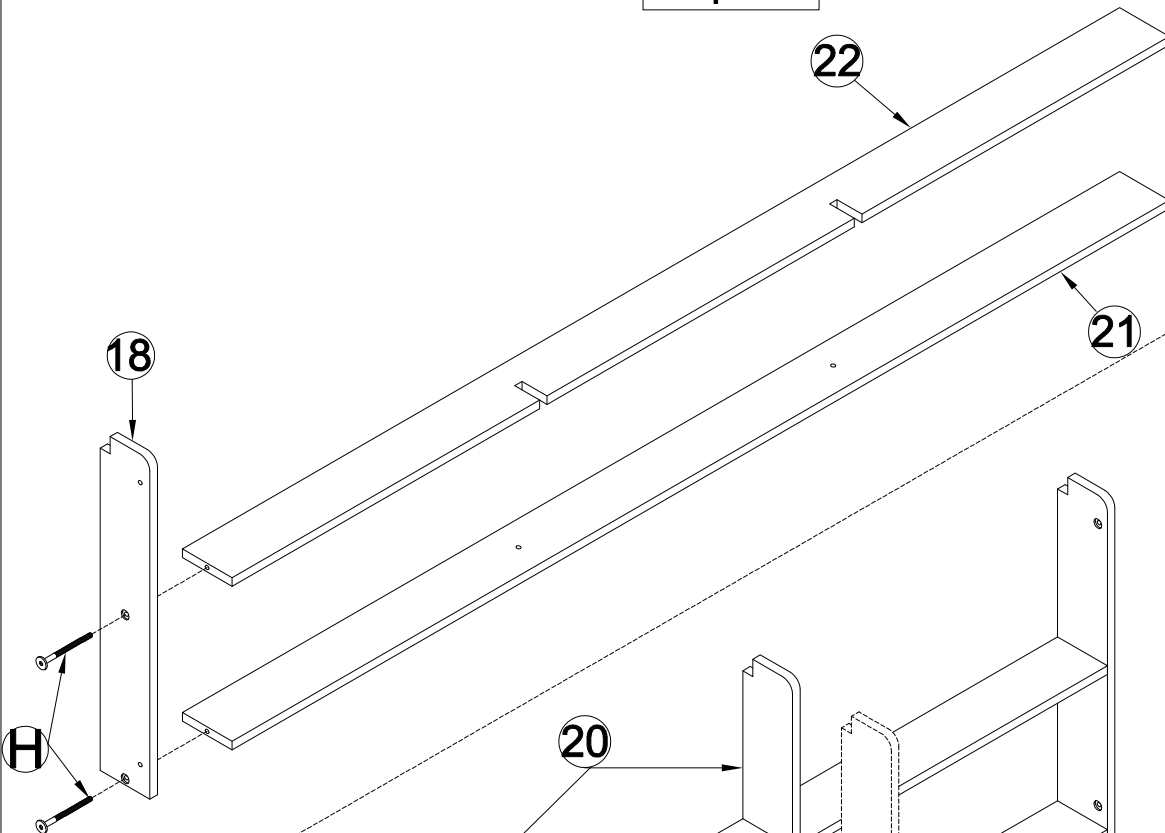
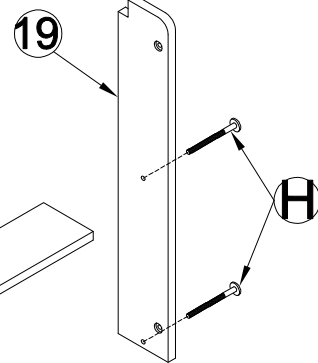
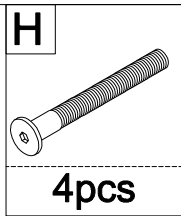
# STEP 6: Following below illustration:

-Screw slats 1(x10) with Side Rail 12,13 by using hardward #F.

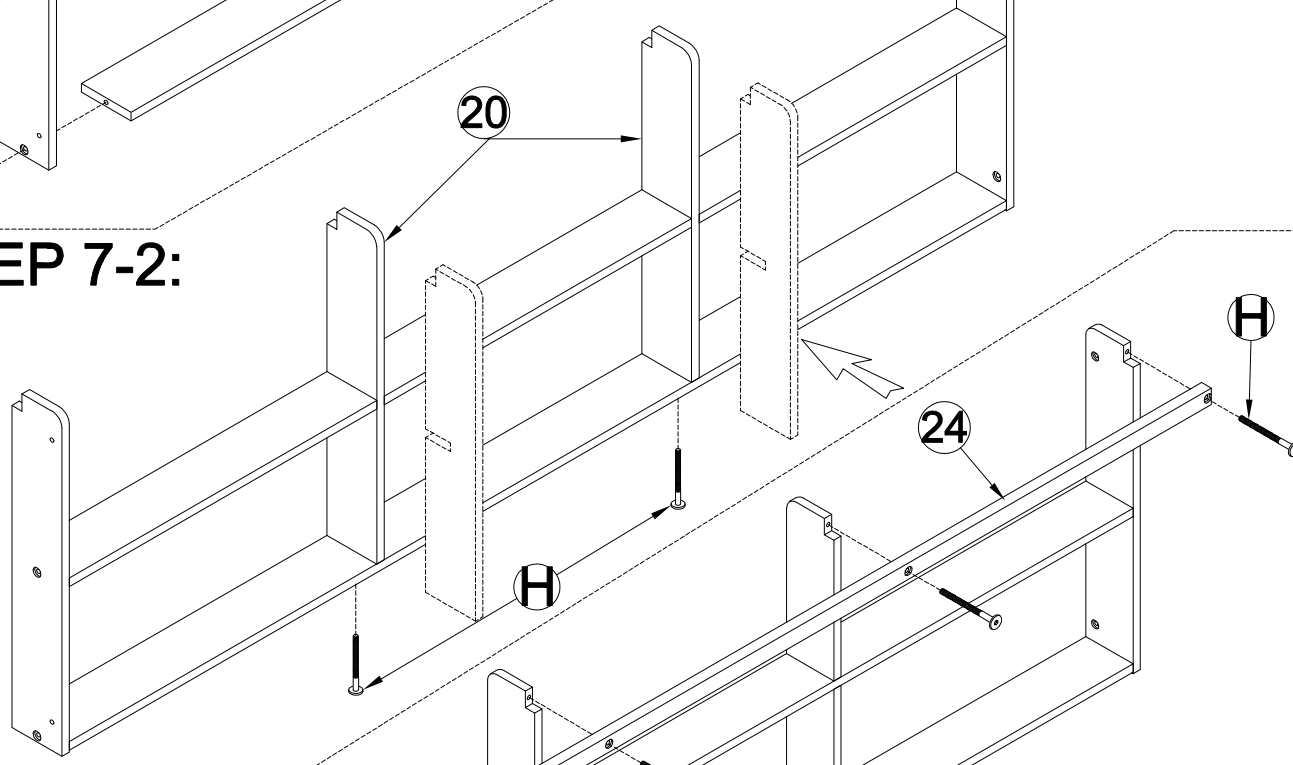
<b>F</b>	
<b>20pcs</b>	



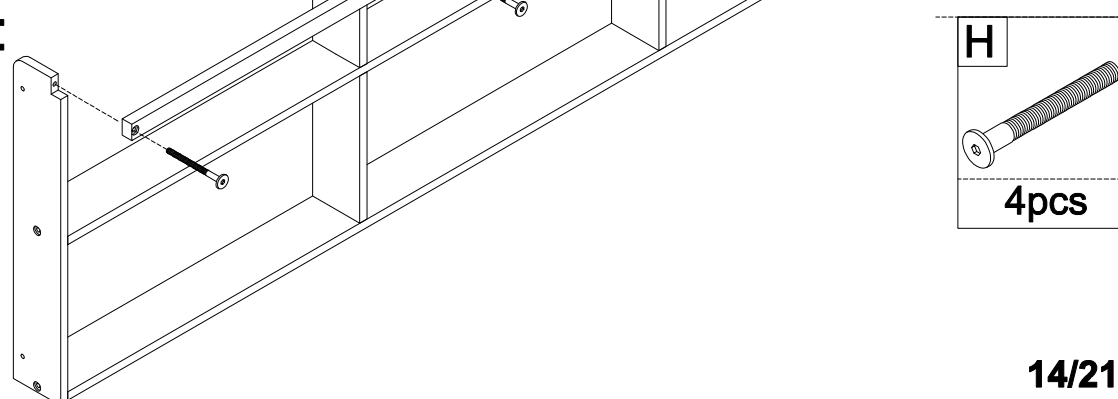
# STEP 7-1:



# STEP 7-2:

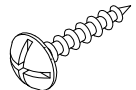


# STEP 7-3:

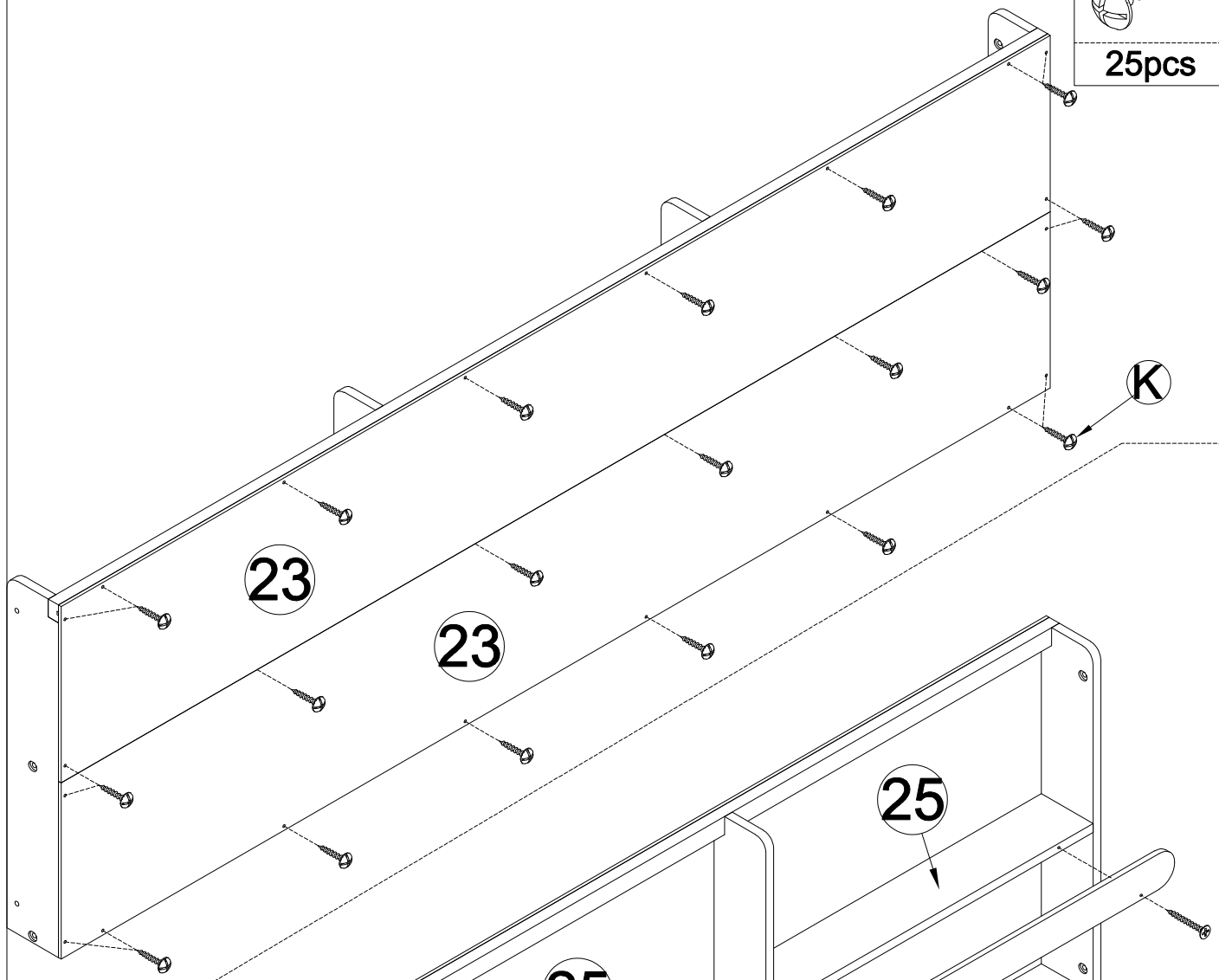


# STEP 7-4:

**K**




25pcs

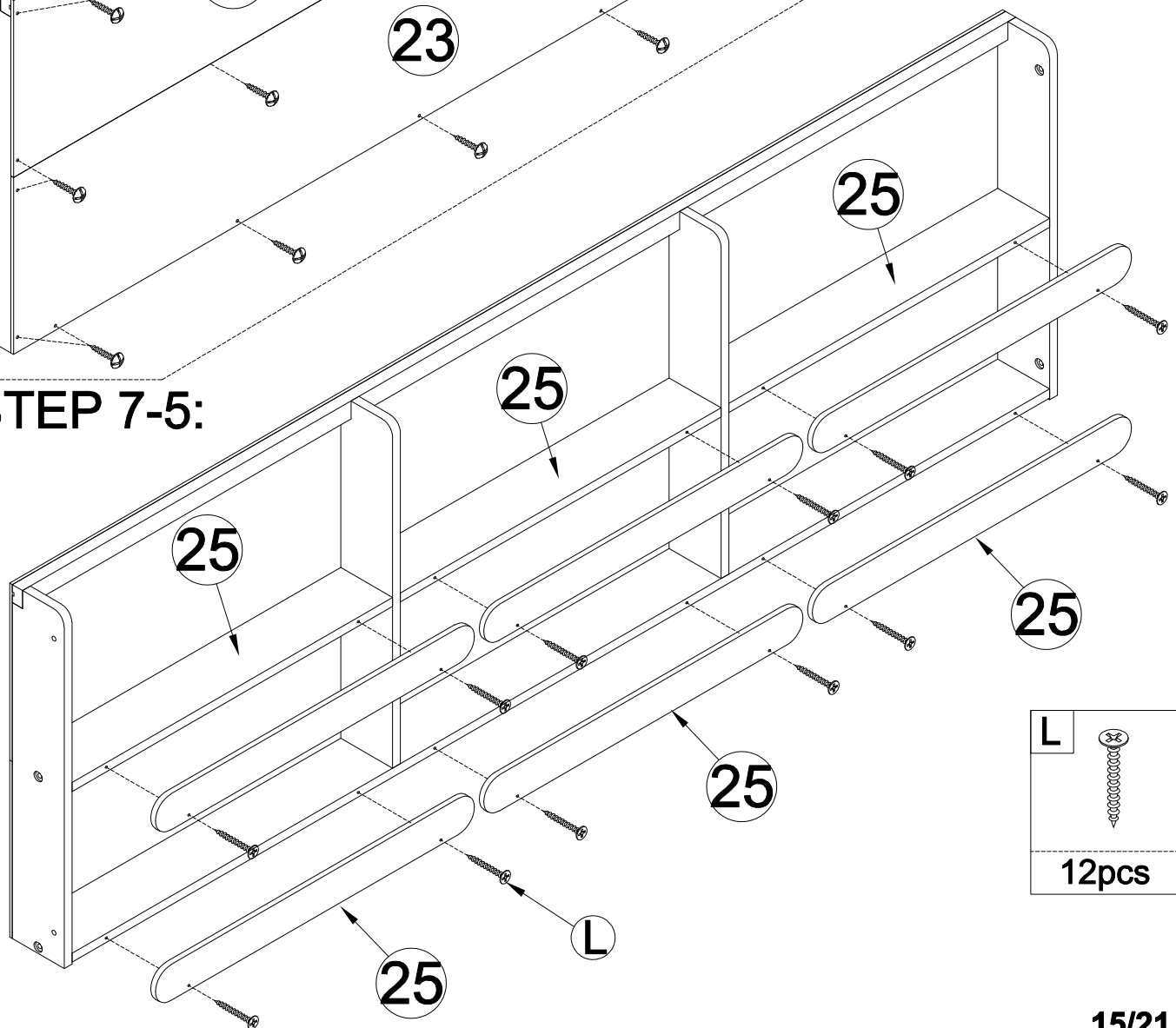


# STEP 7-5:

**L**



12pcs

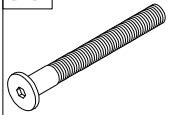


# STEP 8:

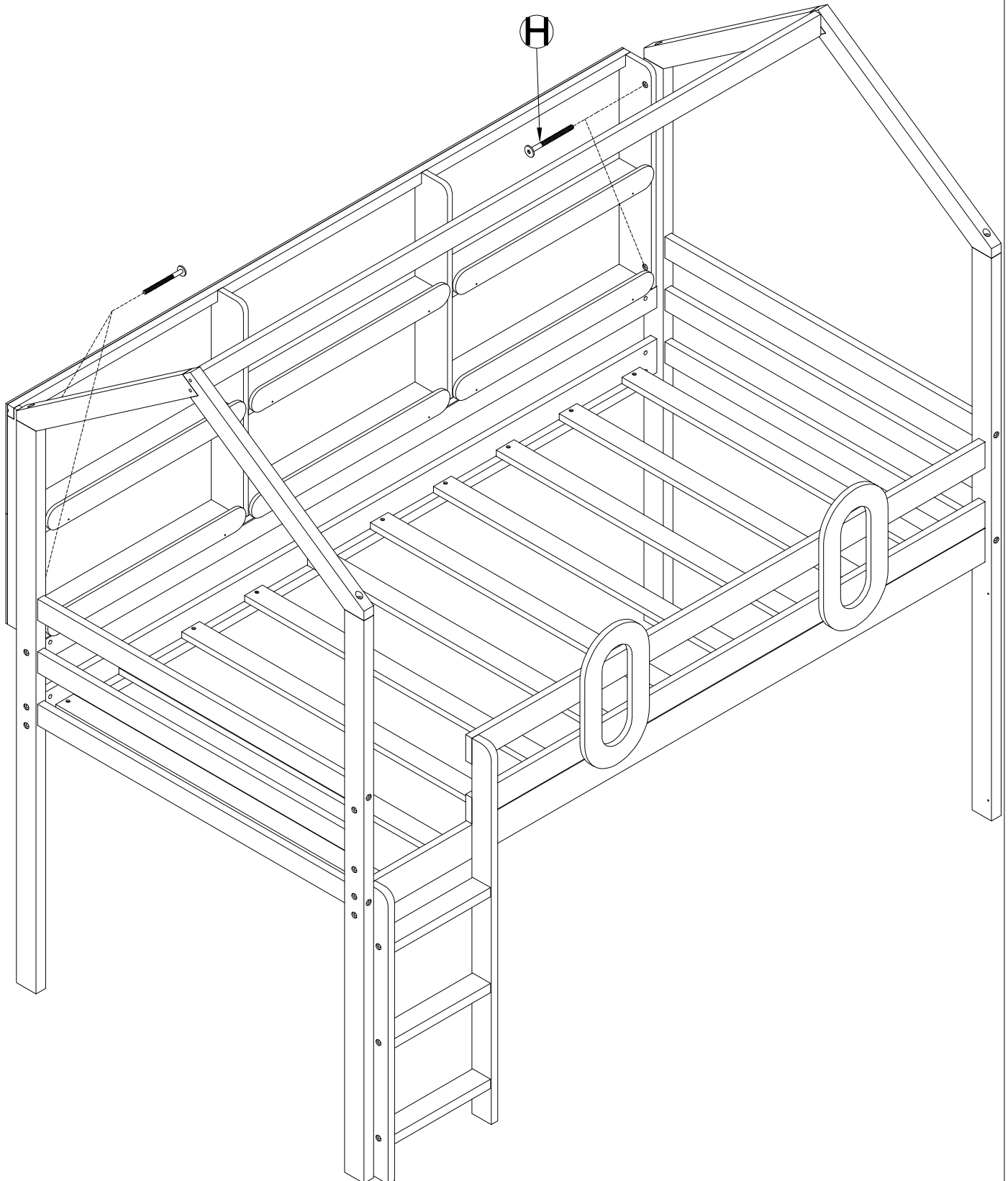
Following below illustration:

- Using hardware #H to Connect Frame(completed on step 7-5) with Frame(completed on step 6)
- Look at detail view for more detail

H

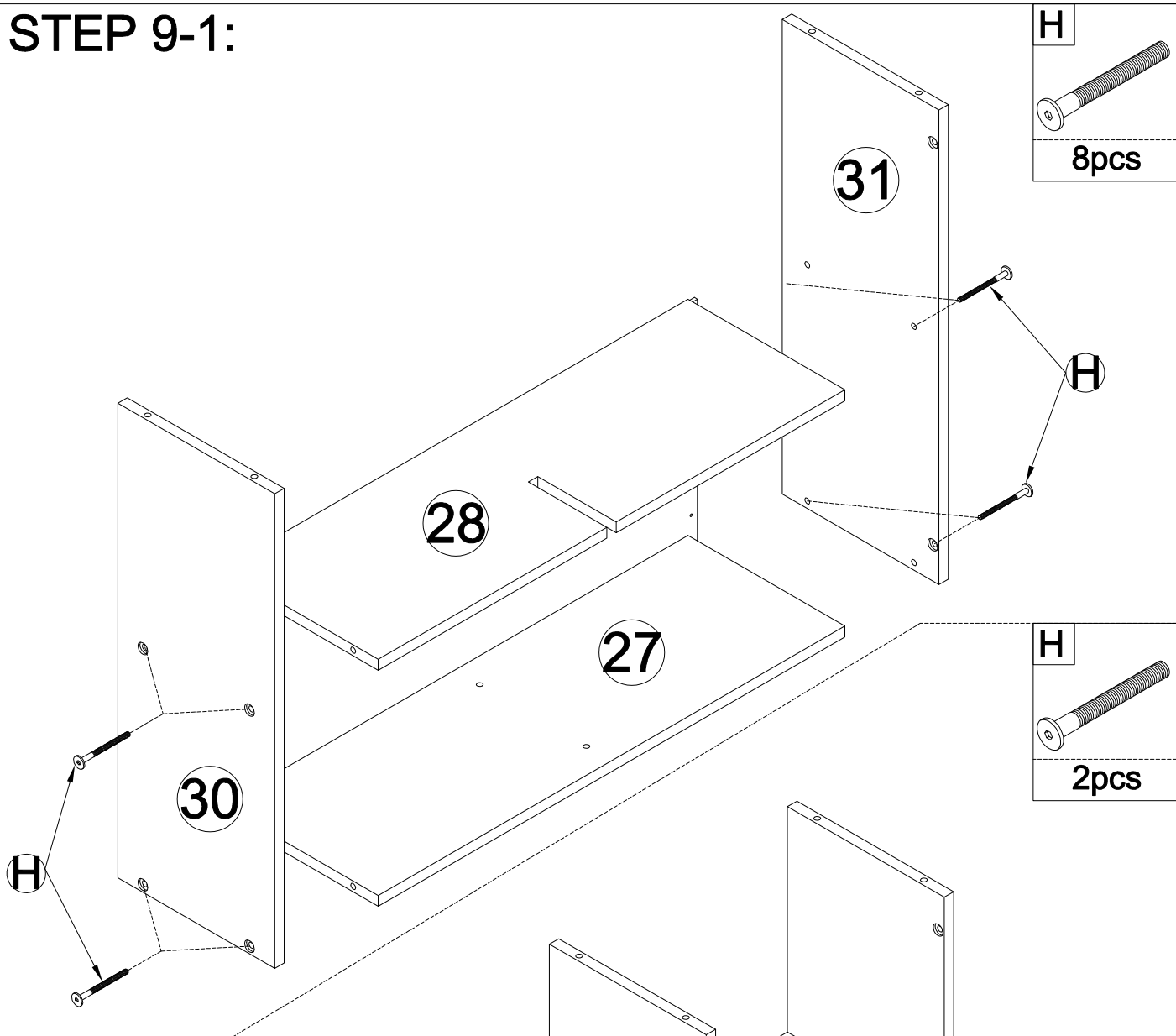


4pcs

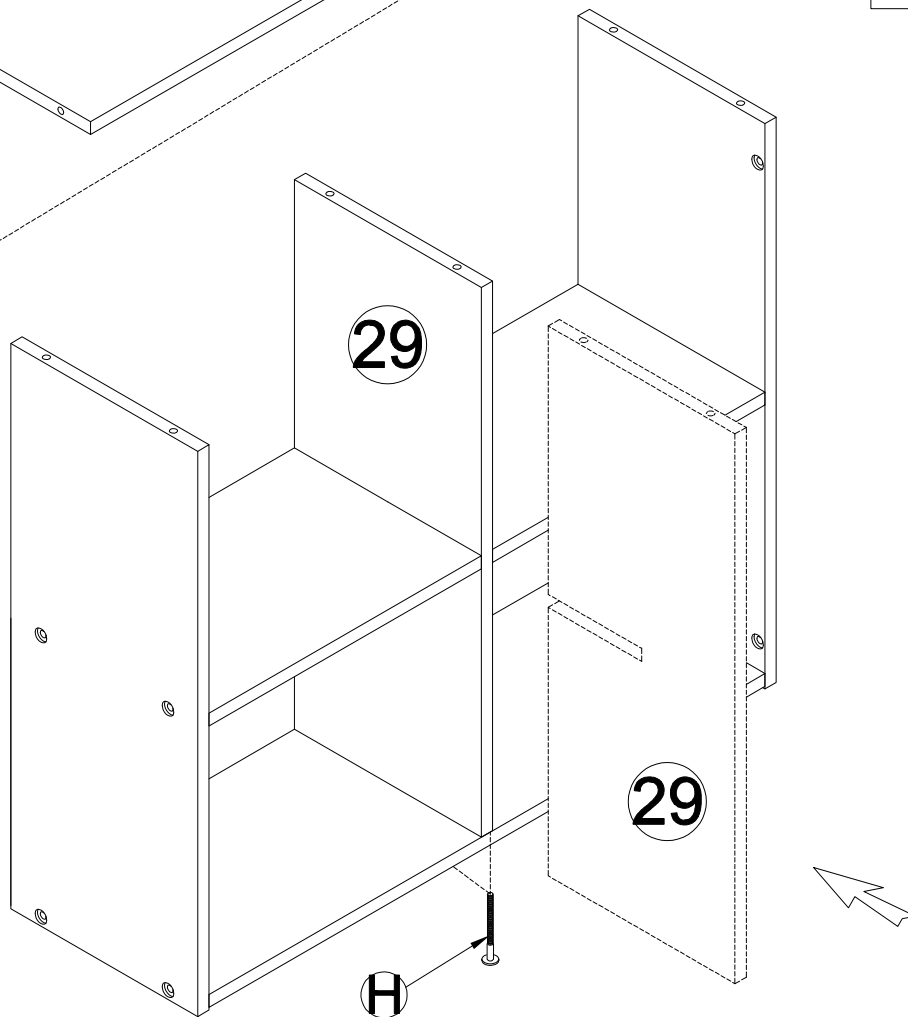




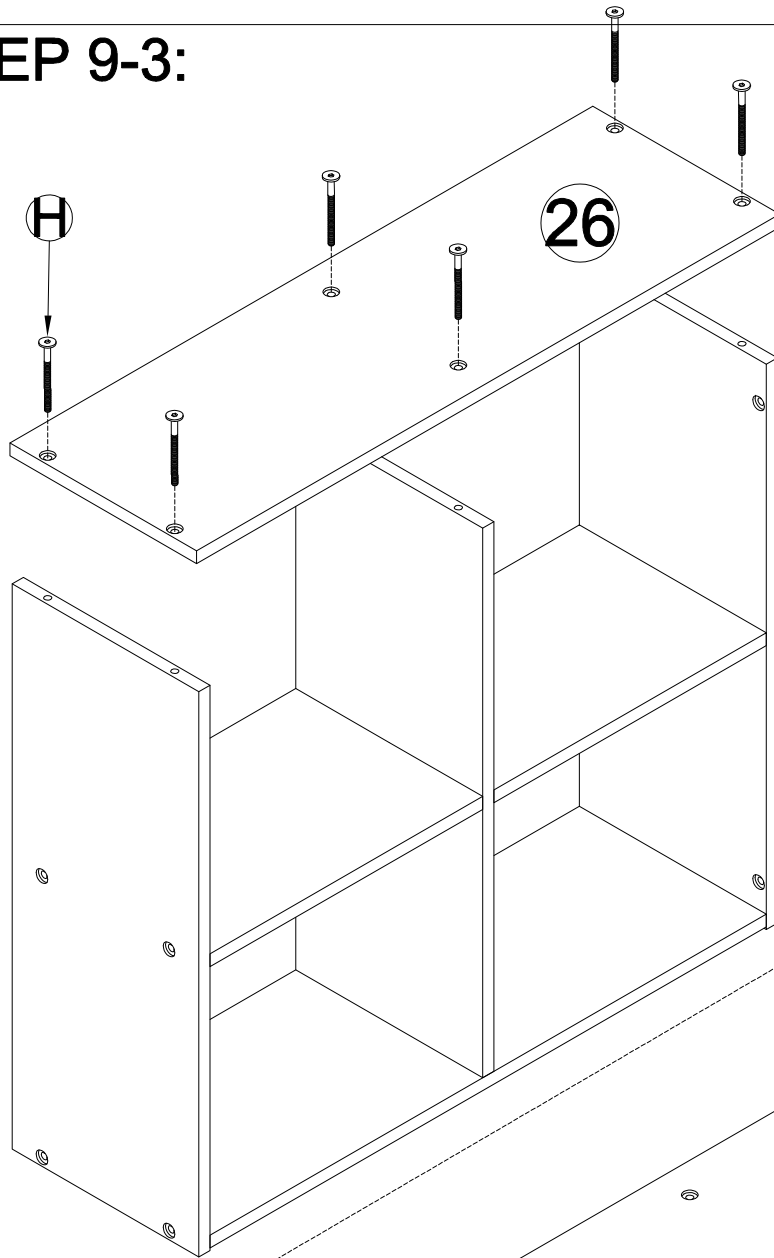
# STEP 9-1:



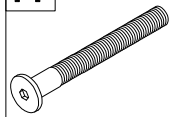
# STEP 9-2:



# STEP 9-3:

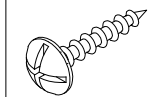


H



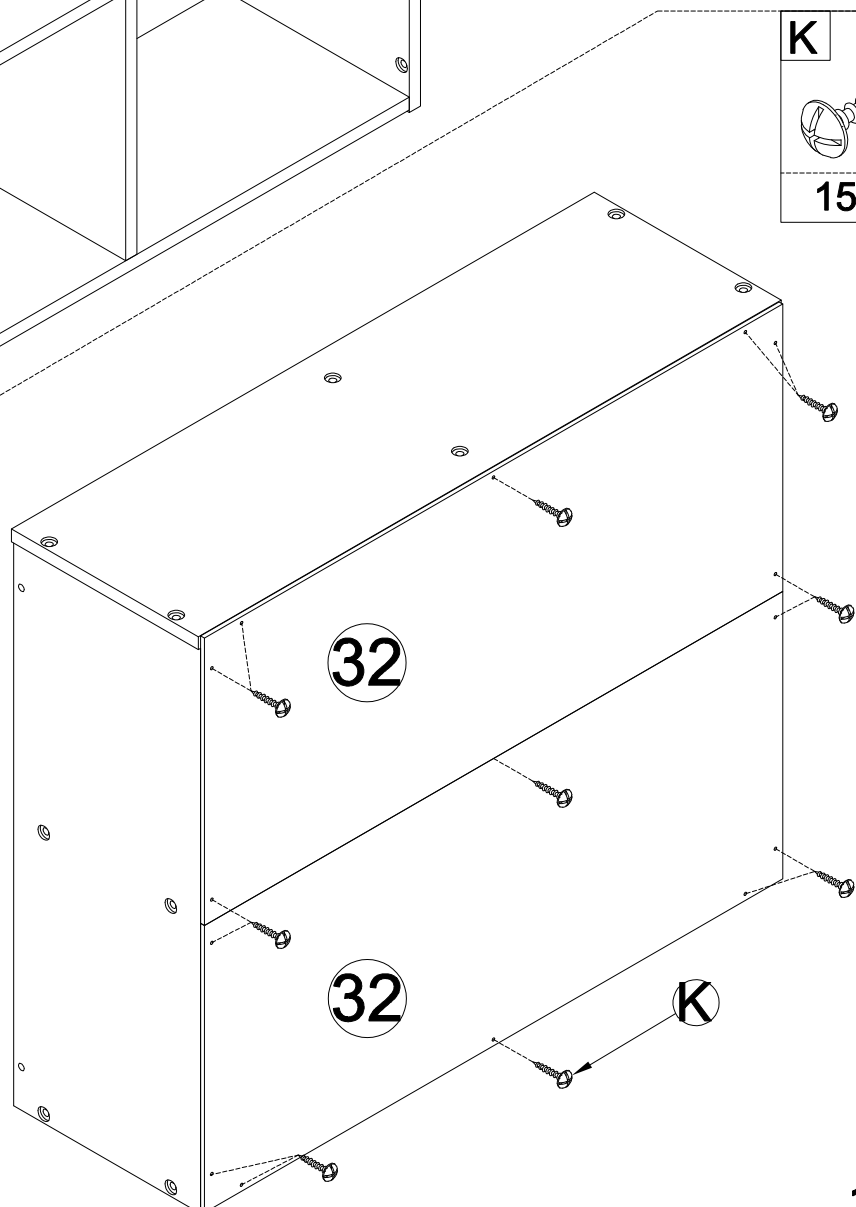
6pcs

K

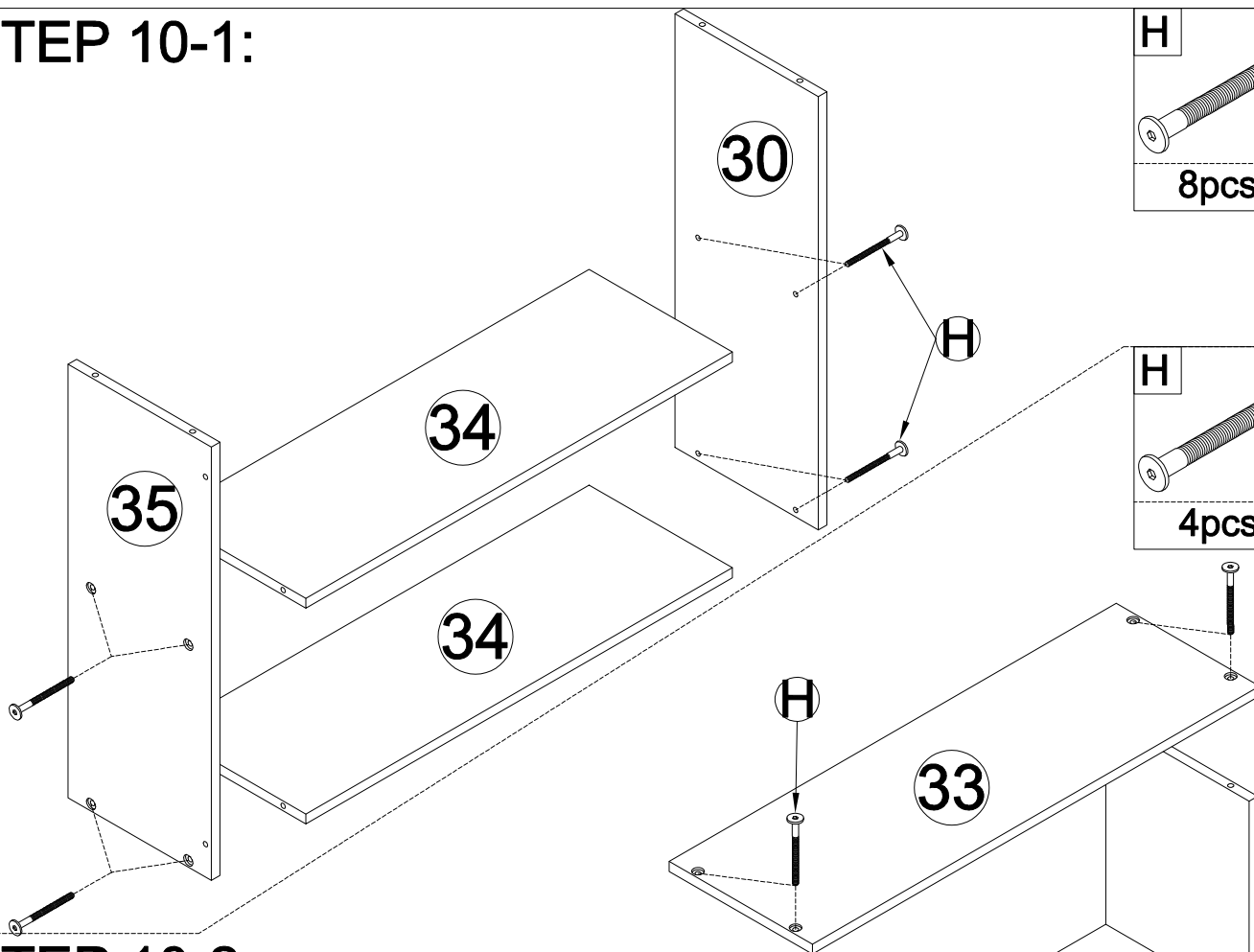
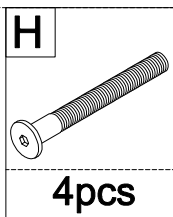
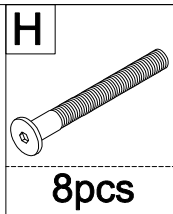


15pcs

# STEP 9-4:

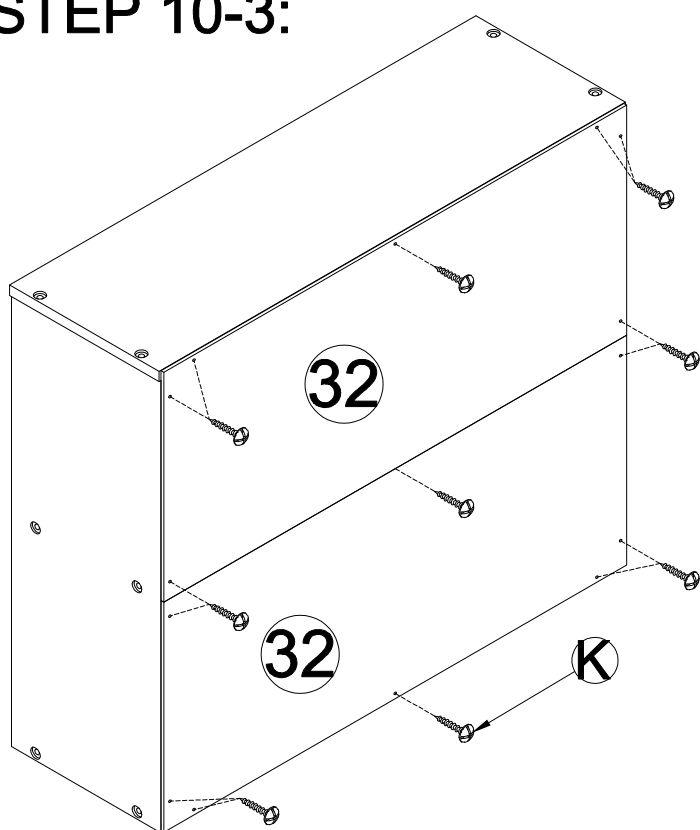
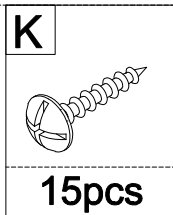


# STEP 10-1:



# STEP 10-2:

# STEP 10-3:



# STEP 11:

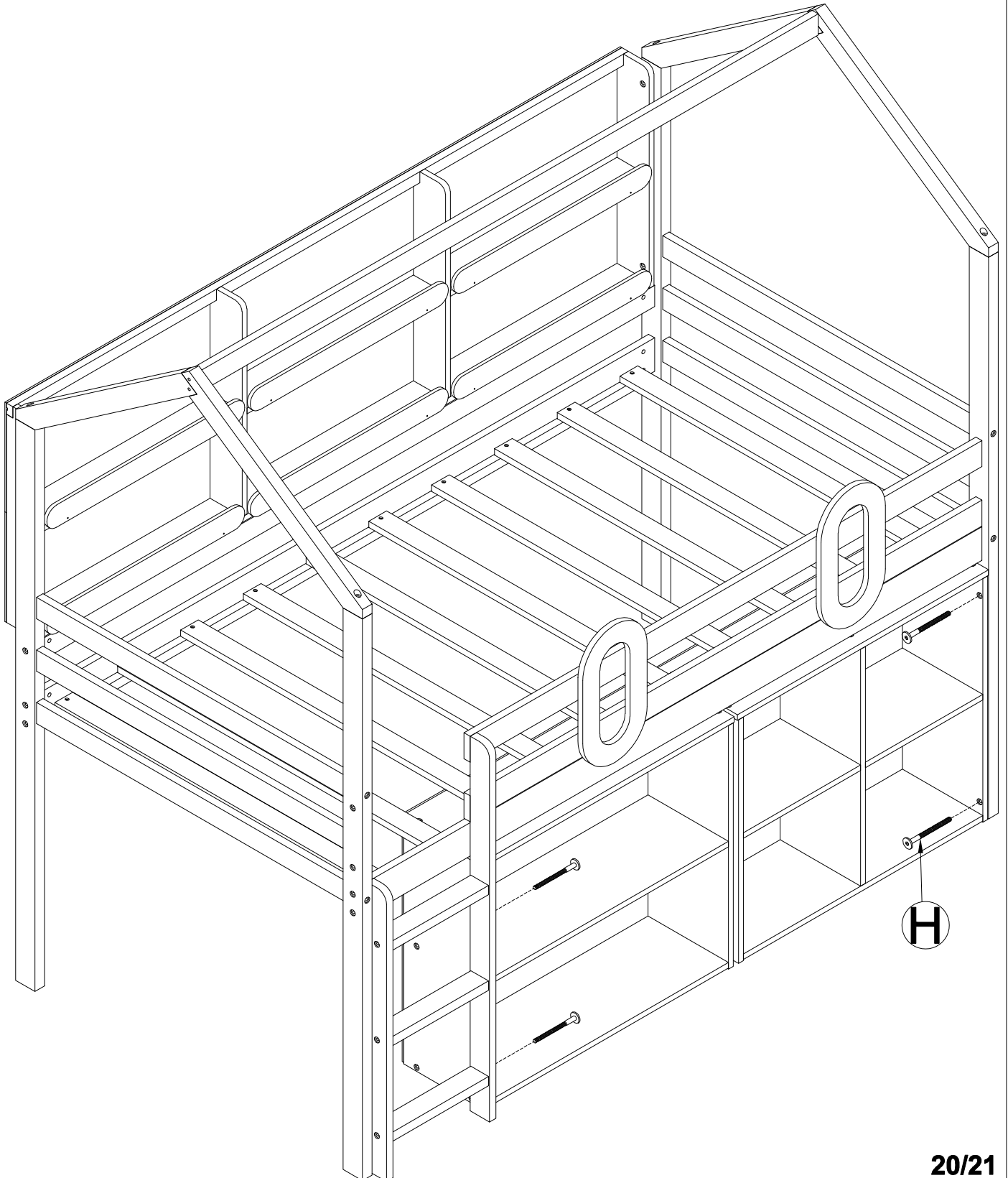
Following below illustration:

- Using hardware #H to Connect Frame(completed on step 8) with Frame(completed on step 9-4,step 10-3)
- Look at detail view for more detail

H



4pcs



CONGRARULATION. YOU HAVE COMPLETED THE BED

