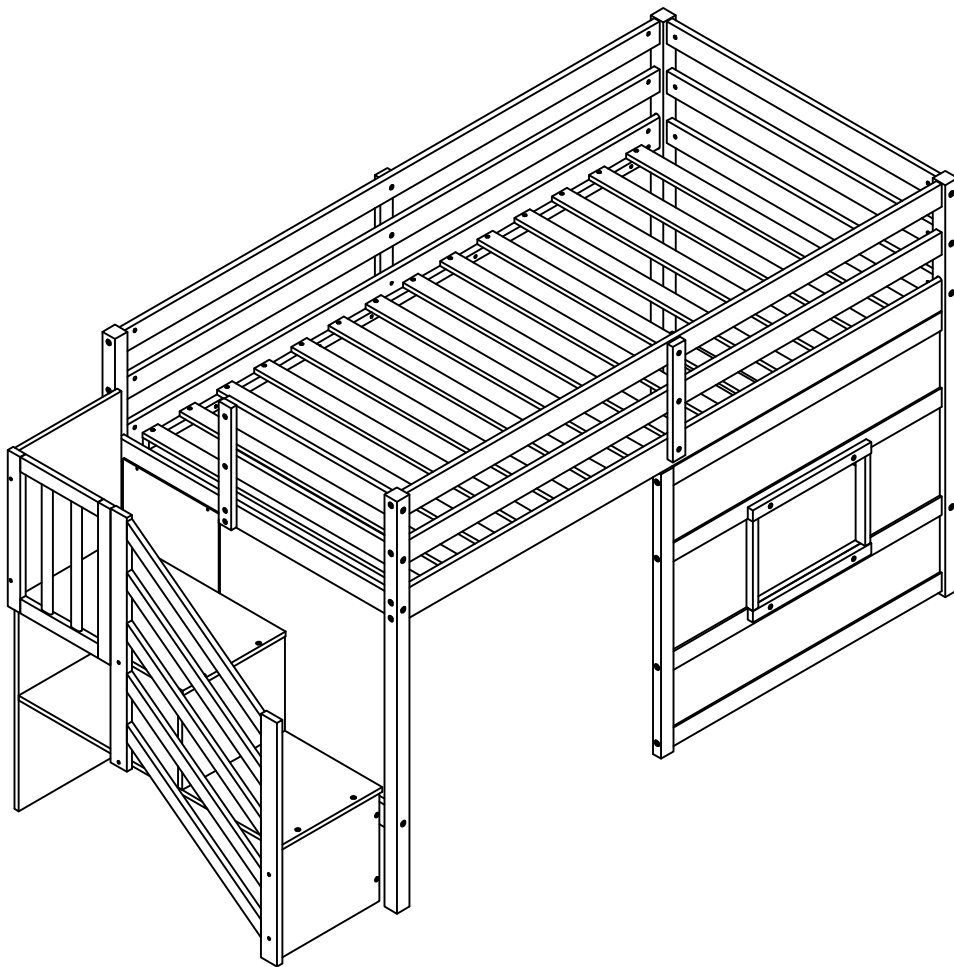


# ASSEMBLY INSTRUCTIONS

## LOFT BED WITH STAIR



**WF304938/WF304939**

## SAFETY WARNINGS AND GENERAL NOTES:

Follow the information on the warnings on the loft bed end structure and on the carton. Do not remove the warning label from the bed. Always use the recommended size mattress on mattress support, or both, to help prevent the likelihood of entrapment or falls.

The top surface of the mattress must be at least 5\*inch (127mm) below the upper edge of the guardrail.

Do not allow children under 6 years of age to use the upper bunk.

Periodically check and ensure the guardrail, ladder and other components are in their proper position, free from damage, and all connectors are tight.

Do not allow horseplay on or under beds.

Always prohibit jumping on the bed.

Prohibit more than one person on upper bunk.

Always use the ladder for entering and leaving the upper bunk.

Do not use substitute parts. Contact the manufacturer or dealer for replacement parts.

Use of a night-light may provide added safety precaution for a child using the upper bunk.

Always use guardrails on both long sides of the upper bunk.

If the loft bed will be placed next to a wall, the guardrail that runs the full length of the bed should be placed against the wall to prevent entrapment between the bed and the wall.

The use of water or sleep flotation mattresses is prohibited.

**STRANGULATION HAZARD**-Never attach or hang items to any part of the loft bed that are not designed for use with the bed.

Keep these instructions for future reference.

We recommend assembling your loft bed on the shipping carton to protect your floor or carpet.

Be certain all staples are out of the box before beginning assembly on the shipping carton.

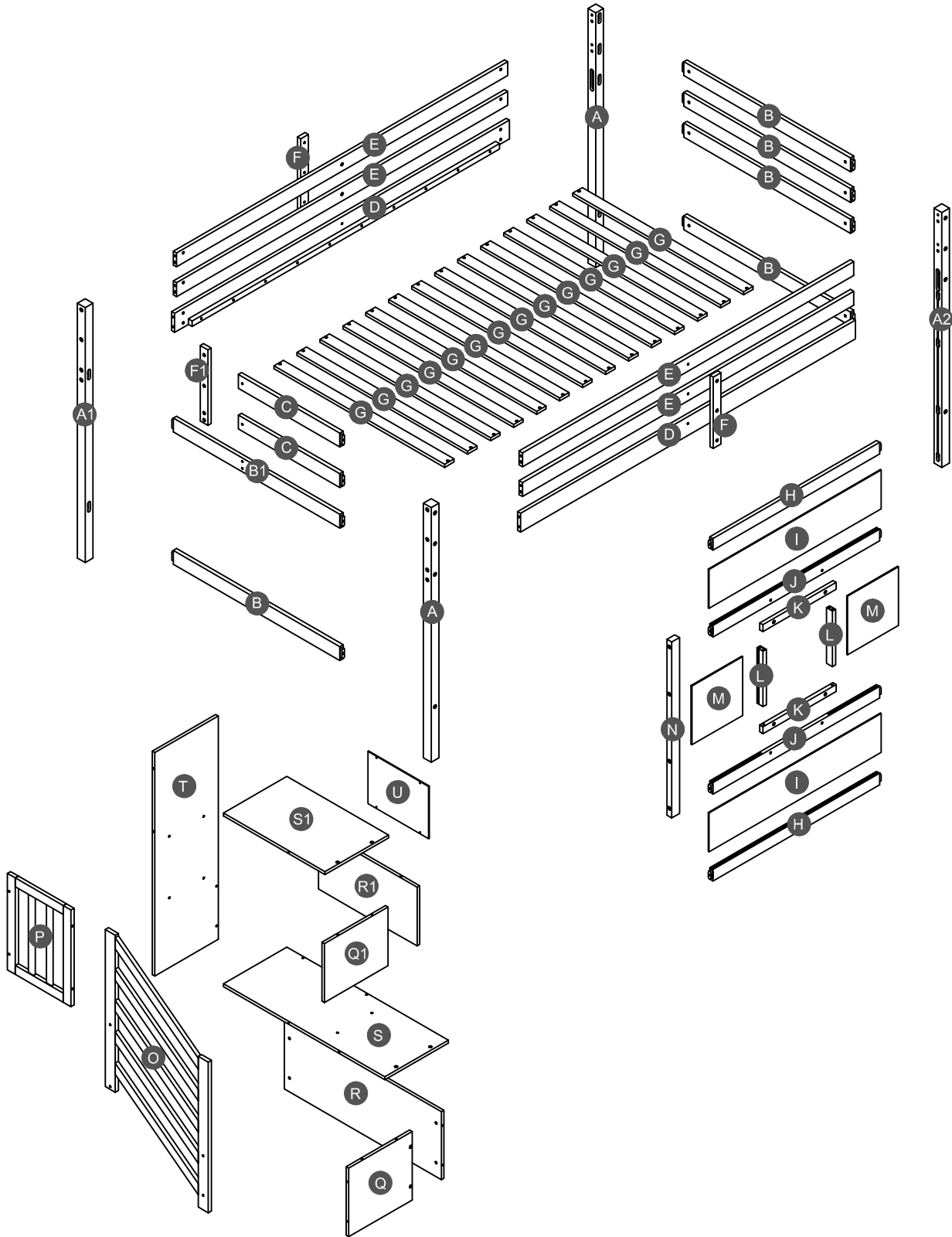
**USE ONLY MATTRESSES WHICH ARE 74"-75" LONG AND 38 1/2" WIDE ON UPPER BUNKS. ENSURE THICKNESS OF MATTRESS DOES NOT EXCEED 6".**

**SURFACE OF MATTRESS MUST BE AT LEAST 5" (127MM) BELOW THE UPPER EDGE OF GUARDRAILS.**

Replacement Parts:

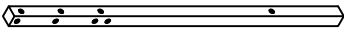
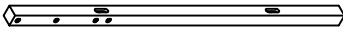

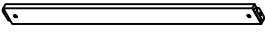
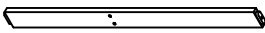
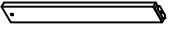


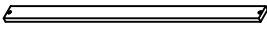
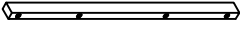
Replacement Parts, including additional guardrails, may be obtained from any of our (GIGACLOUD TECHNOLOGY (USA) INC. 18961 ARENTH AVENUE, CITY OF INDUSTRY , CA, 91748.) dealers

# Detail View





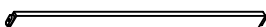
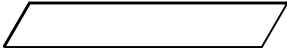




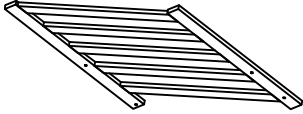
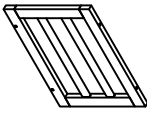
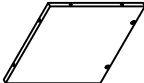

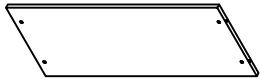

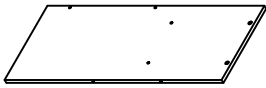

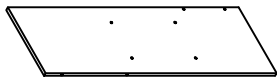
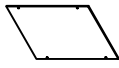
# Part List

## Hardware List WF304938

<p><b>A</b></p>  <p>Leg (Left front/Right back) - 2pcs</p>	<p><b>A1</b></p>  <p>Leg (Left back) - 1pc</p>	<p><b>A2</b></p>  <p>Leg (Right front) - 1pc</p>
<p><b>B</b></p>  <p>Horizontal bar HB/FB - 5pcs</p>	<p><b>B1</b></p>  <p>Horizontal bar FB - 1pc</p>	<p><b>C</b></p>  <p>Upper horizontal bar FB - 2pcs</p>
<p><b>D</b></p>  <p>Side rail - 2pcs</p>	<p><b>E</b></p>  <p>Long guard rail - 4pcs</p>	<p><b>G</b></p>  <p>Slat - 14pcs</p>
<p><b>N</b></p>  <p>Lower vertical bar (front) - 1pc</p>		

# Part List

WF304939

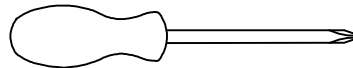
<p><b>F</b></p>  <p>Vertical guard rail - 2pcs</p>	<p><b>F1</b></p>  <p>Vertical guard rail FB - 1pc</p>	<p><b>H</b></p>  <p>Horizontal bar (Front) - 2pcs</p>
<p><b>I</b></p>  <p>Front panel - 2pcs</p>	<p><b>J</b></p>  <p>Horizontal bar (Front) - 2pcs</p>	<p><b>K</b></p>  <p>Vertical bar support - 2pcs</p>
<p><b>L</b></p>  <p>Horizontal bar support - 2pcs</p>	<p><b>M</b></p>  <p>Front panel - 2pcs</p>	<p><b>O</b></p>  <p>Guard rail - 1pc</p>
<p><b>P</b></p>  <p>Guard rail - 1pc</p>	<p><b>Q</b></p>  <p>Lower front panel - 1pc</p>	<p><b>Q1</b></p>  <p>Upper front panel - 1pc</p>
<p><b>R</b></p>  <p>Lower right side panel - 1pc</p>	<p><b>R1</b></p>  <p>Upper right side panel - 1pc</p>	<p><b>S</b></p>  <p>Lower step ladder panel -1pc</p>
<p><b>S1</b></p>  <p>Upper step ladder panel -1pc</p>	<p><b>T</b></p>  <p>Back panel - 1pc</p>	<p><b>U</b></p>  <p>Side panel - 1pc</p>

## Hardware List WF304938

<b>1</b>  $\text{Ø}10 \times 40\text{mm}$ Wood dowel (8pcs)	<b>2</b>  $\text{Ø}8 \times 30\text{mm}$ Wood dowel (12pcs)	<b>3</b>  $(\text{Ø}15)1/4" \times 100\text{mm}$ Hex-Head bolts (16pcs)
<b>4</b>  $(\text{Ø}15)1/4" \times 80\text{mm}$ Hex-Head bolts (22pcs)	<b>5</b>  $(\text{Ø}12)1/4" \times 60\text{mm}$ Hex-Head bolts (22pcs)	<b>6</b>  $(\text{Ø}12)1/4" \times 30\text{mm}$ Hex-Head bolts (14pcs)
<b>7</b>  $1/4" \times 15 (9.5\text{mm})$ Horizontal-Hole bolts (58pcs)	<b>8</b>  $(1/4")4.5 \times 58\text{mm}$ Allen key (1pc)	<b>9</b>  $\text{Ø}4 \times 30\text{mm}$ Wood screws (28pcs)
<b>10</b>  $40 \times 17 \times 17 \times 1.6\text{mm}$ Metal bracket (5pcs)	<b>11</b>  $\text{Ø}3.5 \times 15\text{mm}$ Wood screws (24pcs)	





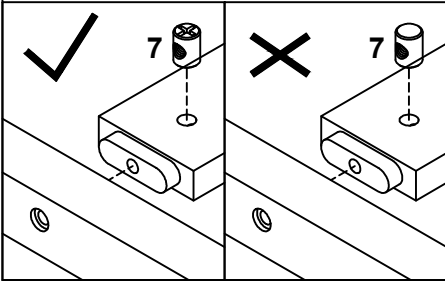
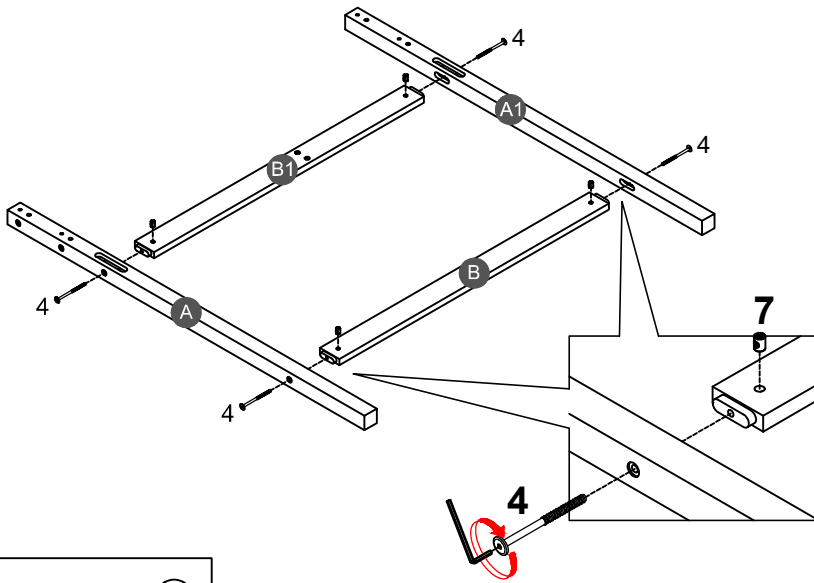
**ASSEMBLY TOOLS REQUIRED ( NOT INCLUDED )**



PLEASE BE CAREFUL DO NOT DAMAGE THE HOLE POSITION WHEN YOU USE POWER TOOLS !



**STEP 1:**

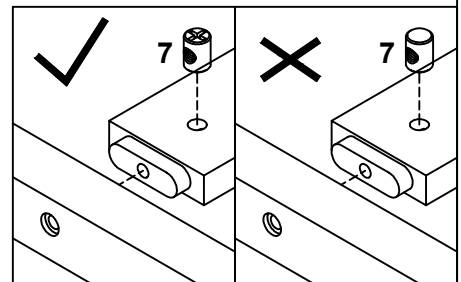
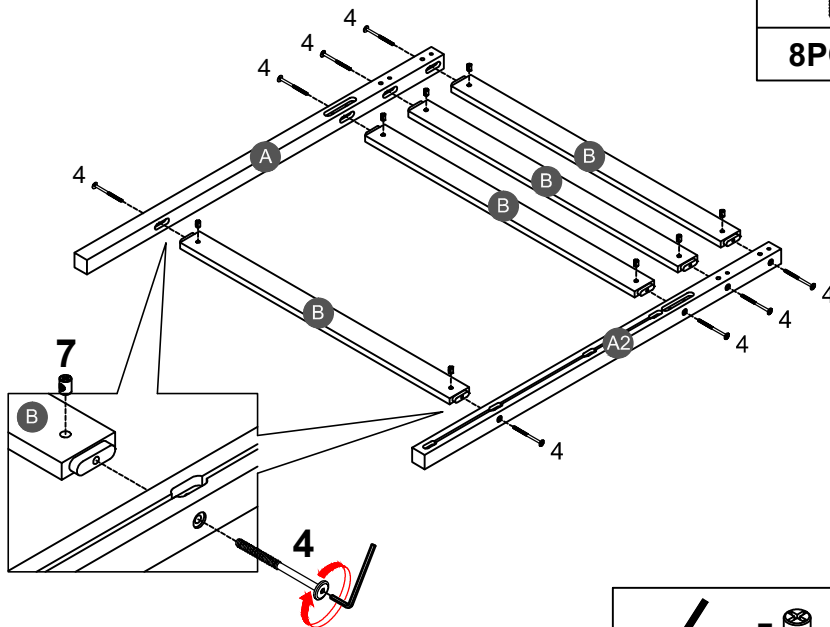
4		7	
4PCS		4PCS	



Note: Part 7 will face up with the "x" mark on it, otherwise it cannot be tightened

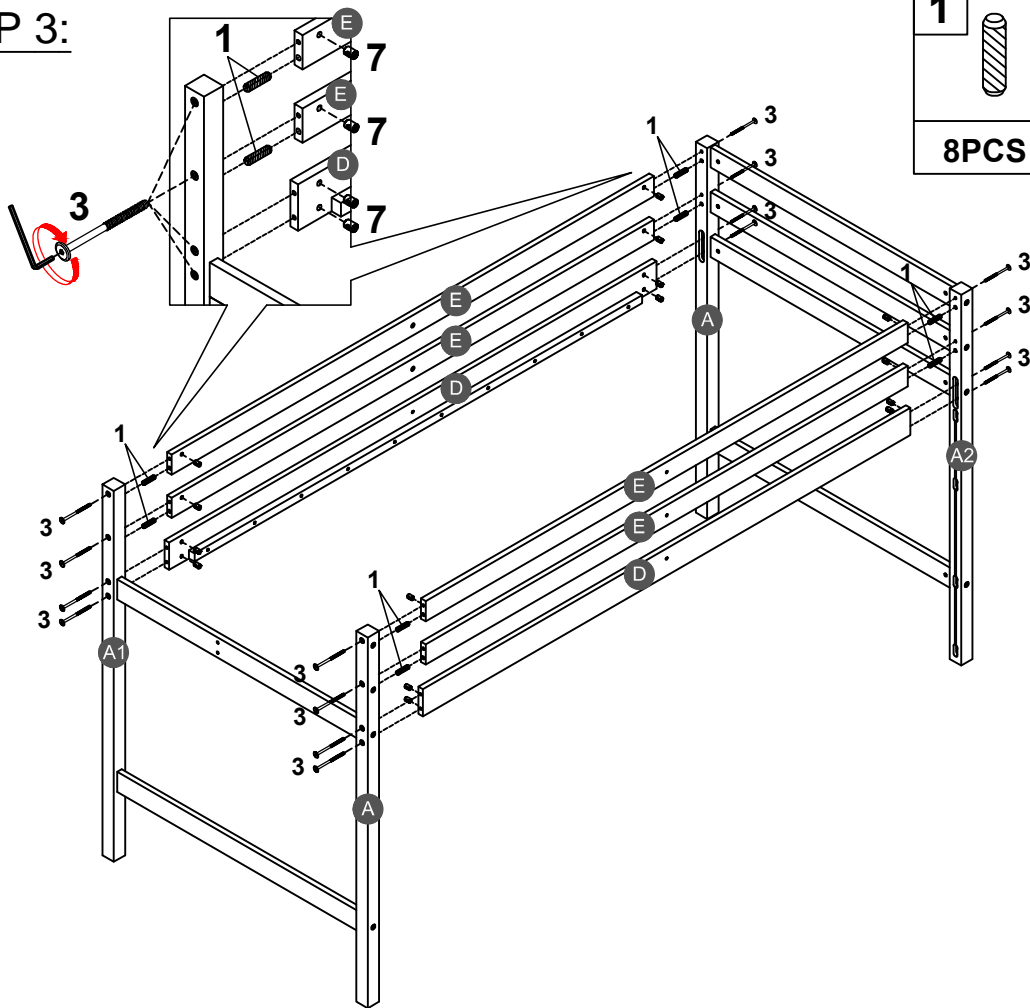
**STEP 2:**




4		7	
8PCS		8PCS	



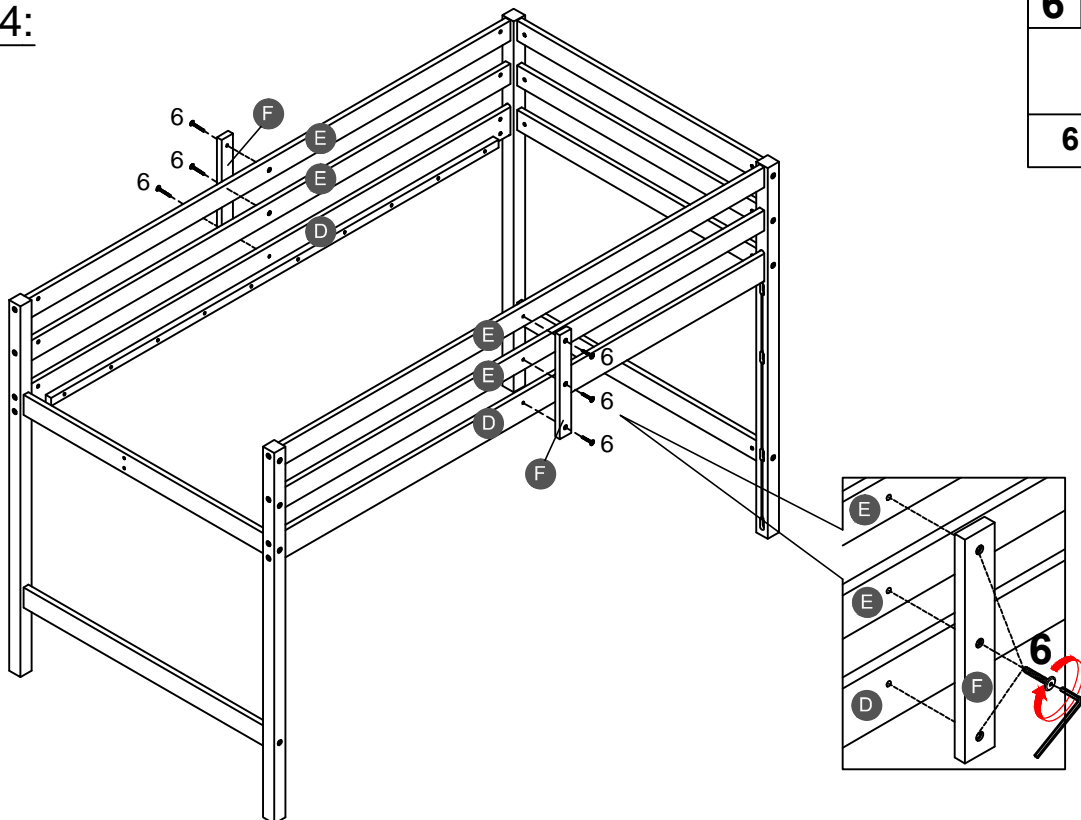
Note: Part 7 will face up with the "x" mark on it, otherwise it cannot be tightened


**STEP 3:**



<b>1</b>		<b>3</b>	
<b>8PCS</b>		<b>16PCS</b>	
		<b>7</b>	
		<b>16PCS</b>	

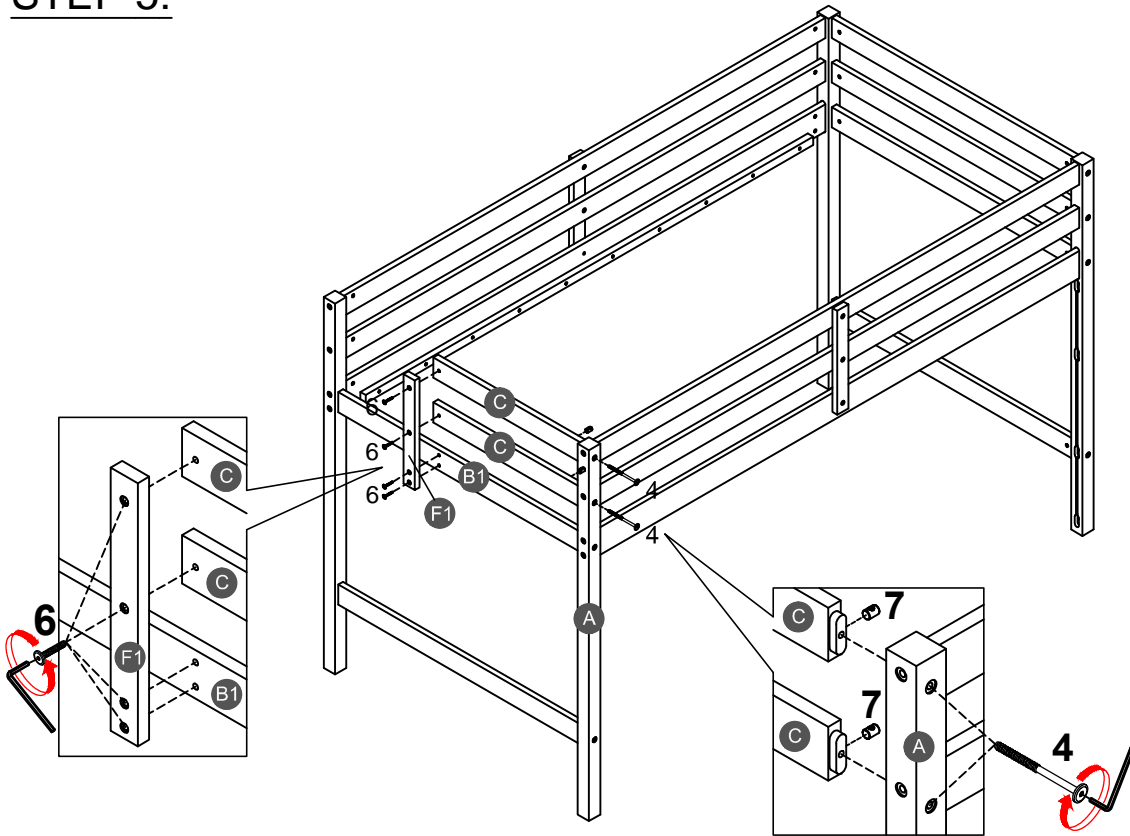
**STEP 4:**



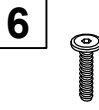
<b>6</b>	
<b>6PCS</b>	



### STEP 5:



2PCS

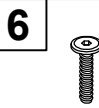
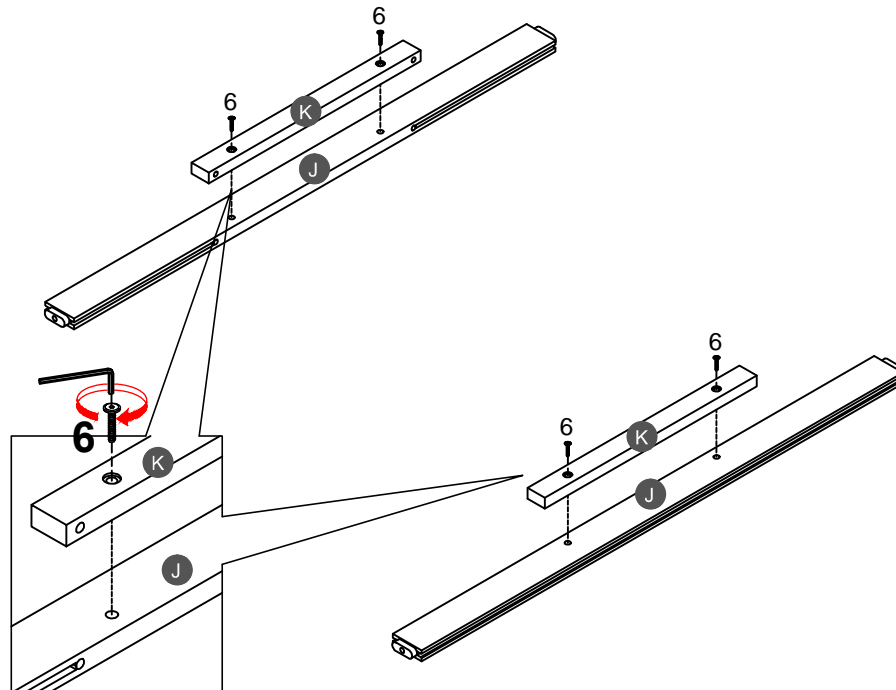


4PCS



2PCS

### STEP 6:



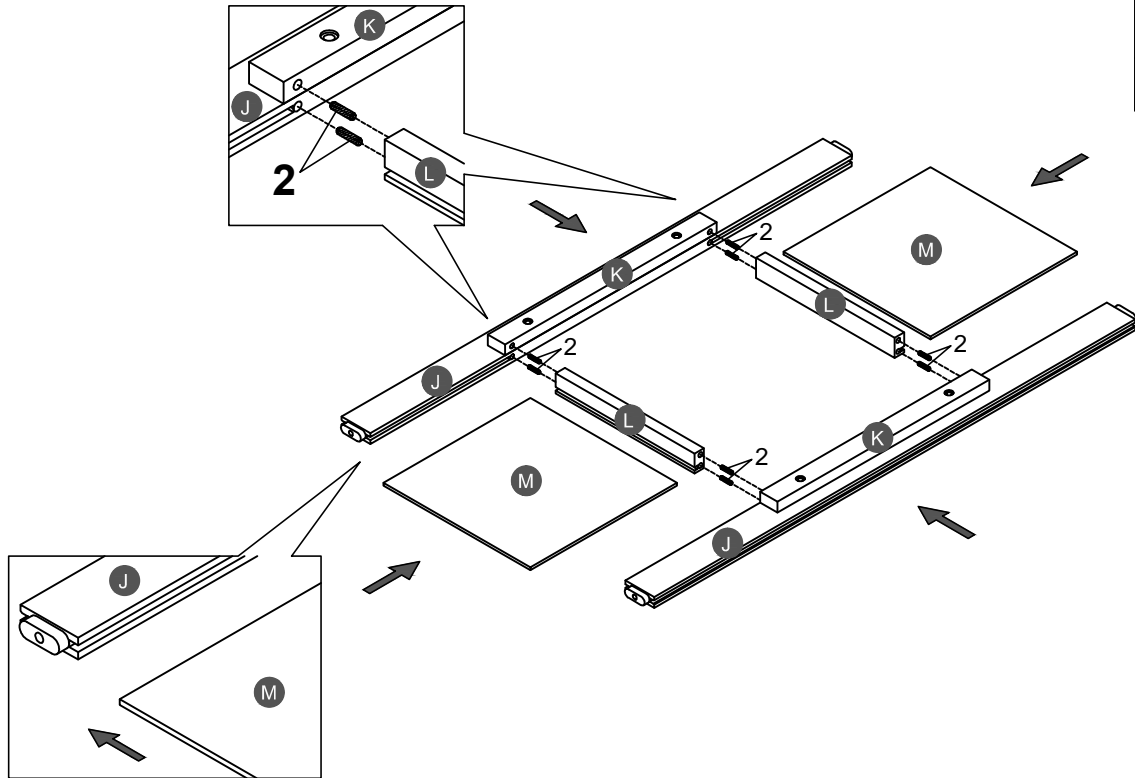
4PCS

**STEP 7:**

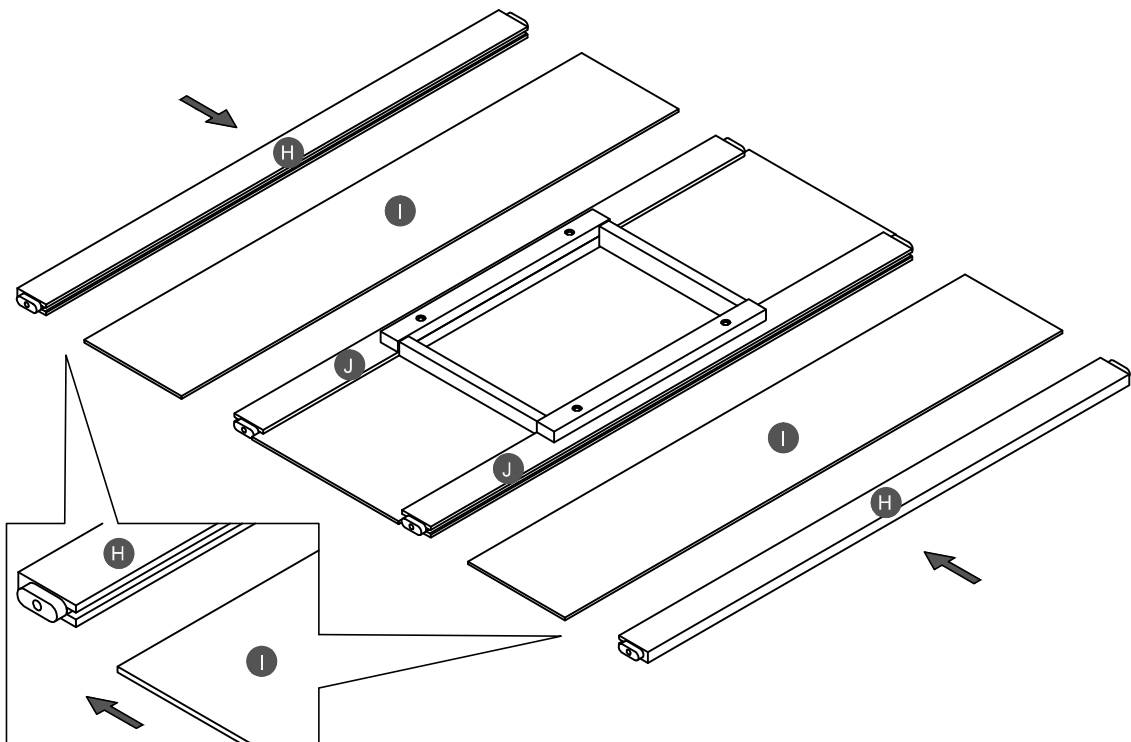
**2**



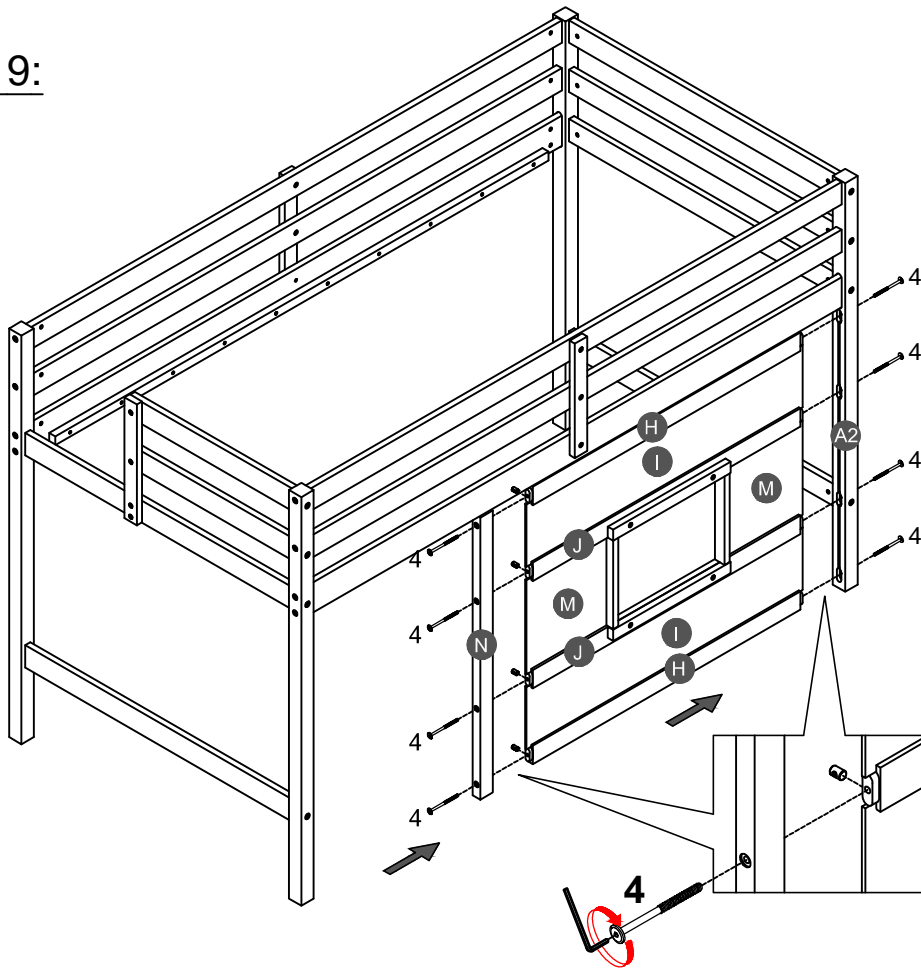
**8PCS**





**STEP 8:**

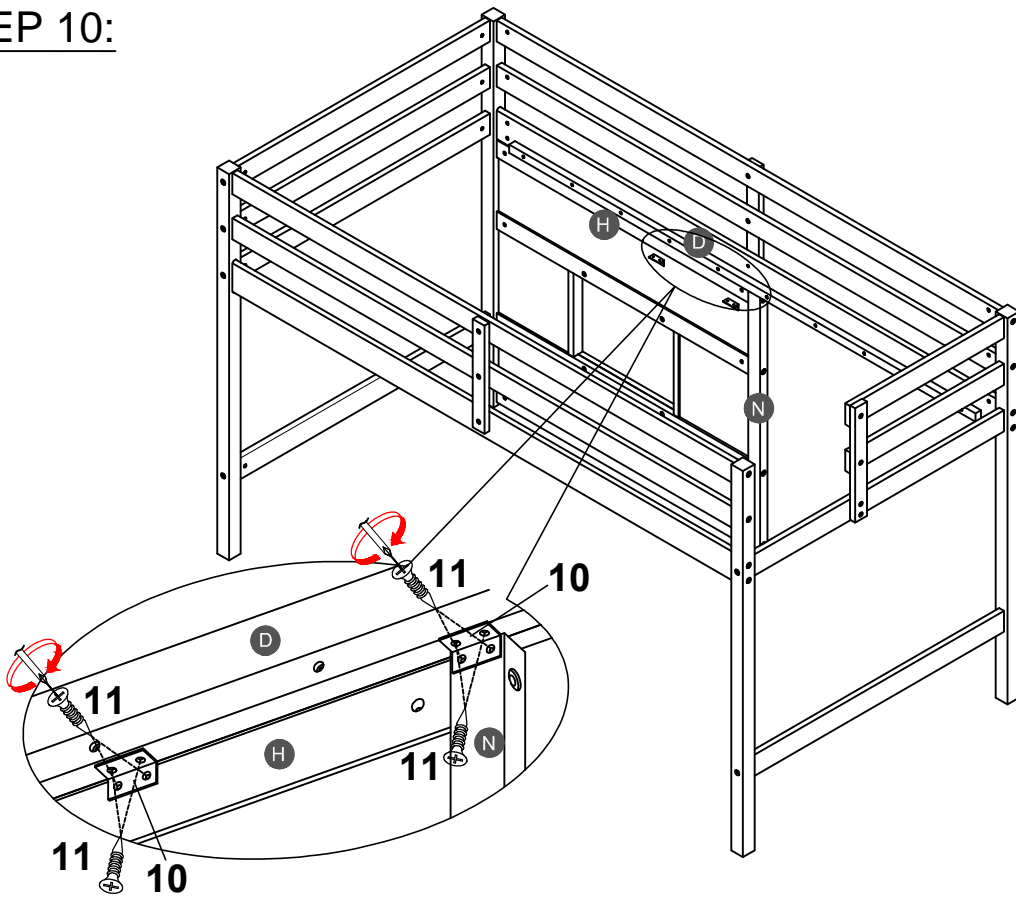




**STEP 9:**



4	
8PCS	
7	
8PCS	

**STEP 10:**



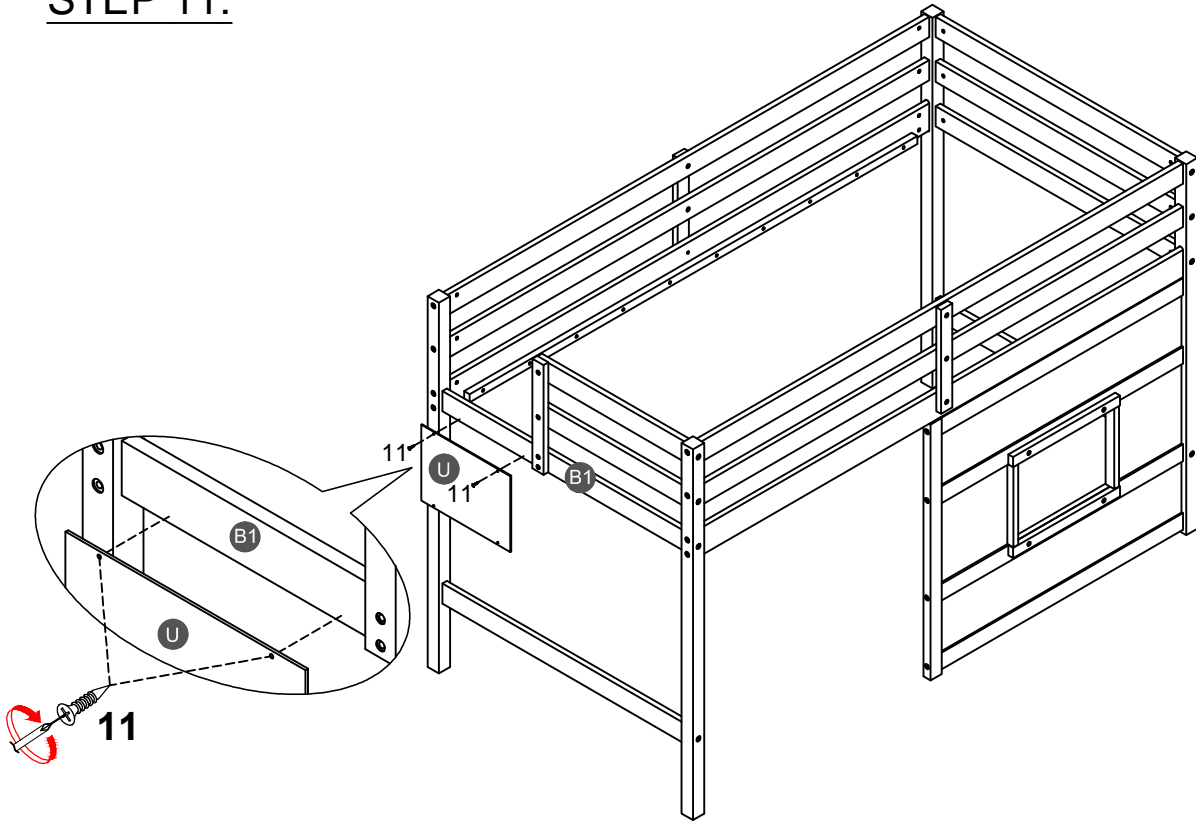
10	
2PCS	
11	
8PCS	

**STEP 11:**

**11**



**2PCS**



**STEP 12:**

**2**



**4PCS**

**5**

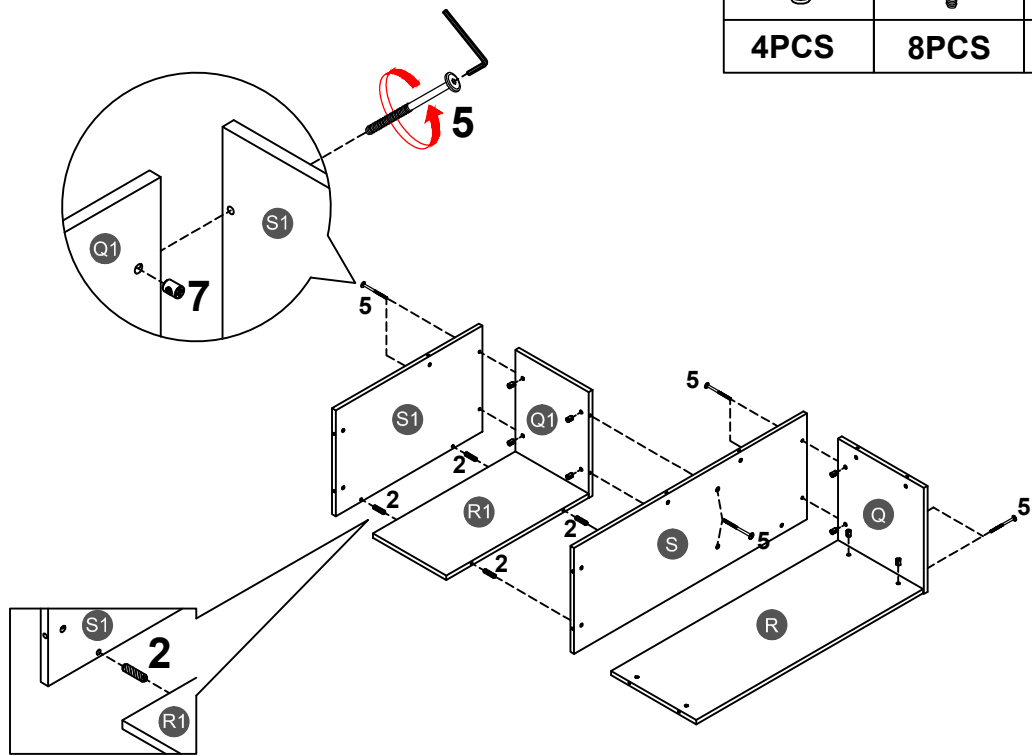


**8PCS**



**7**

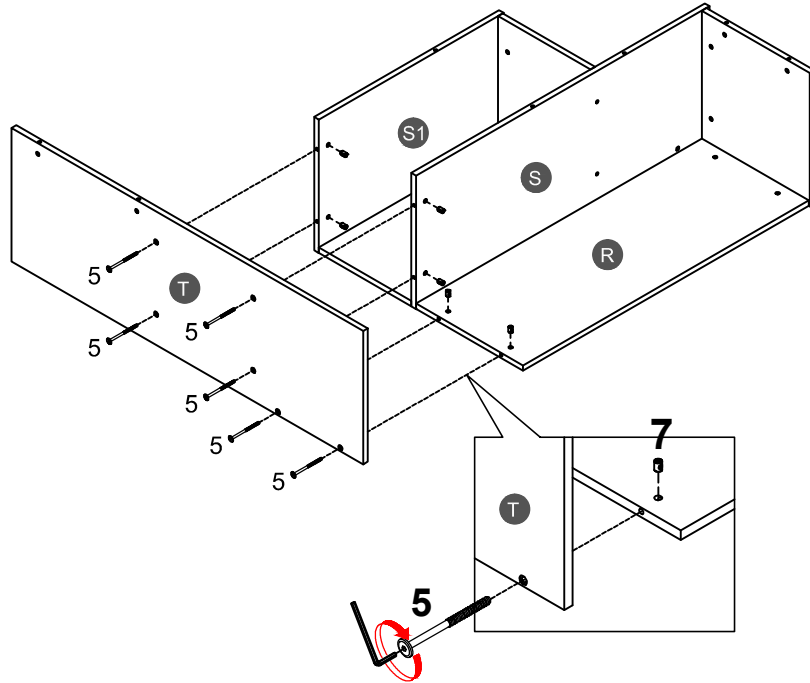


**8PCS**




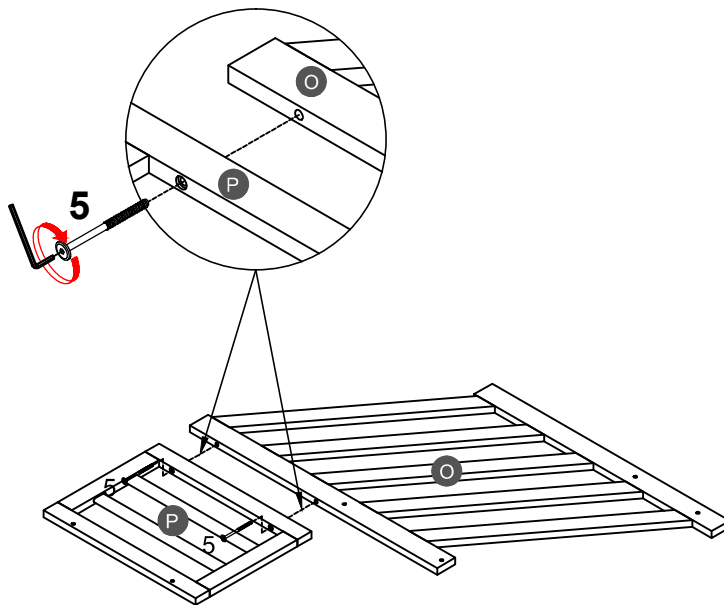
**STEP 13:**

<b>5</b>		<b>7</b>	
<b>6PCS</b>		<b>6PCS</b>	





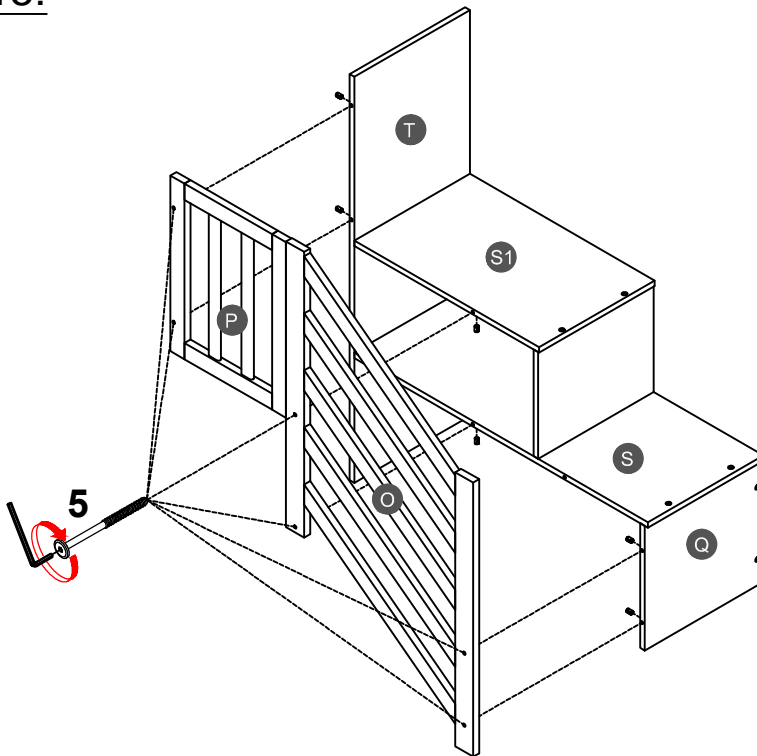
**STEP 14:**

<b>5</b>	
<b>2PCS</b>	

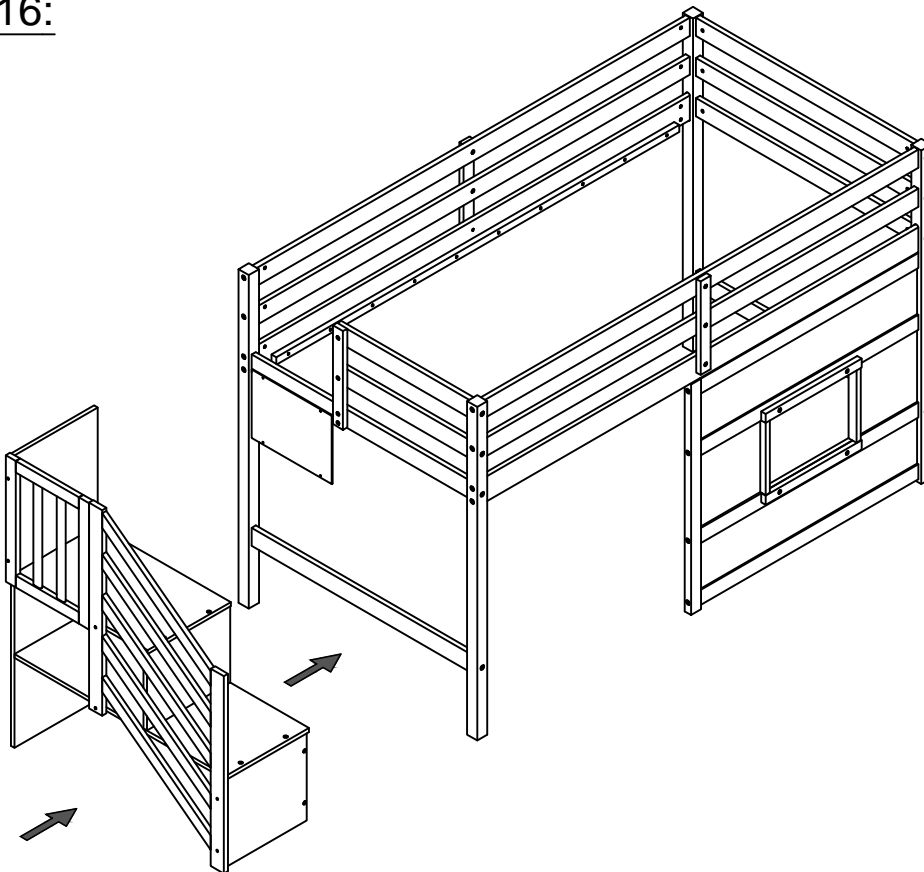


**STEP 15:**



<b>5</b>		<b>7</b>	
<b>6PCS</b>		<b>6PCS</b>	

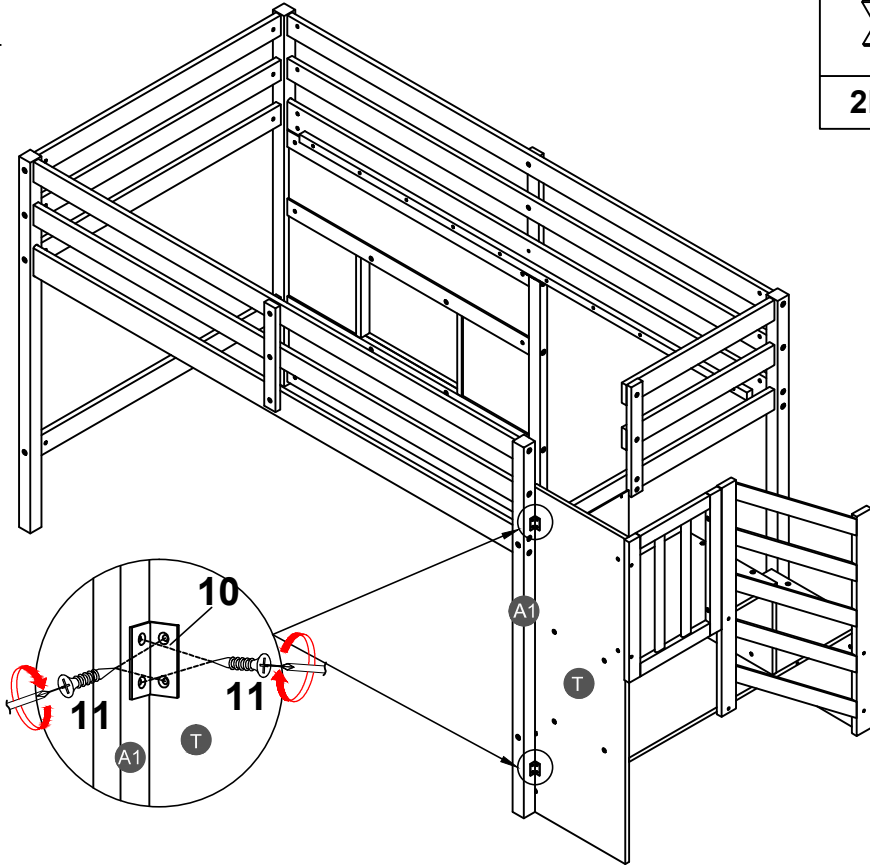


**STEP 16:**





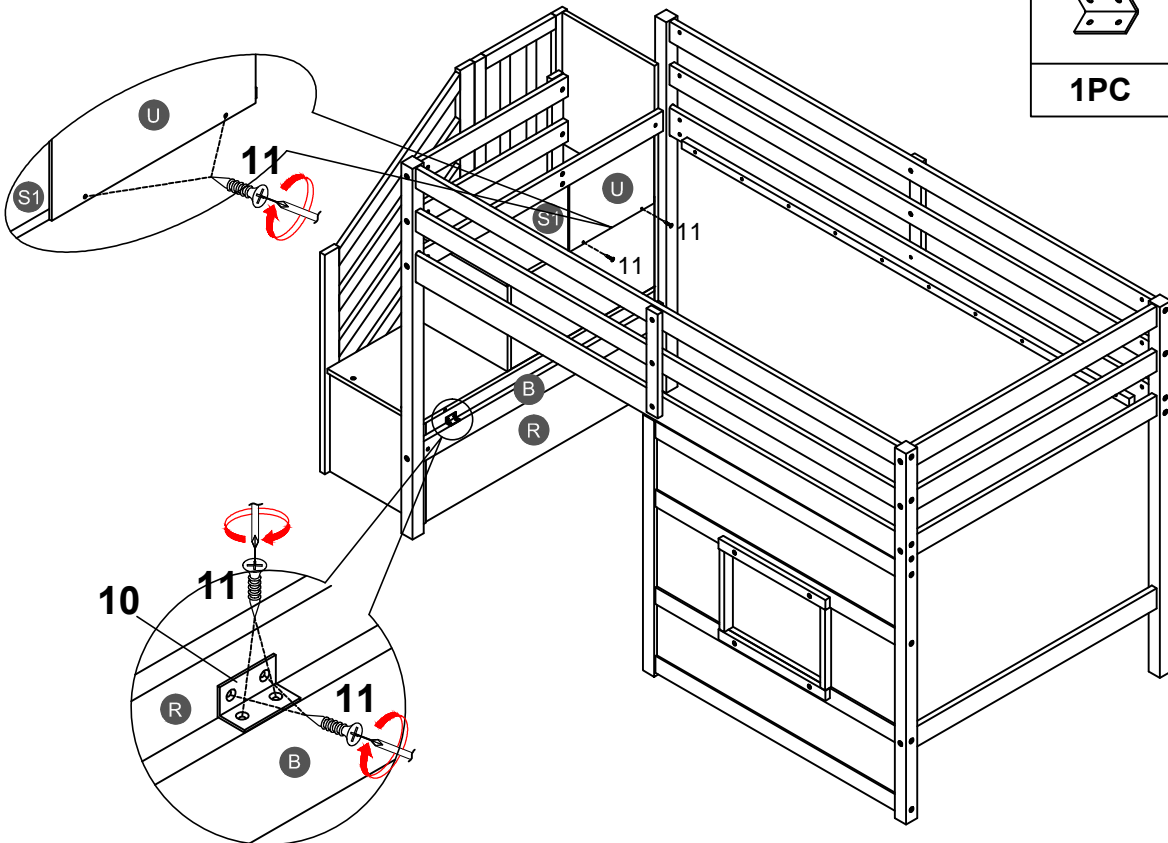
**STEP 17:**

<b>10</b> 	<b>11</b> 
<b>2PCS</b>	<b>8PCS</b>



**STEP 18:**

<b>10</b> 	<b>11</b> 
<b>1PC</b>	<b>6PCS</b>

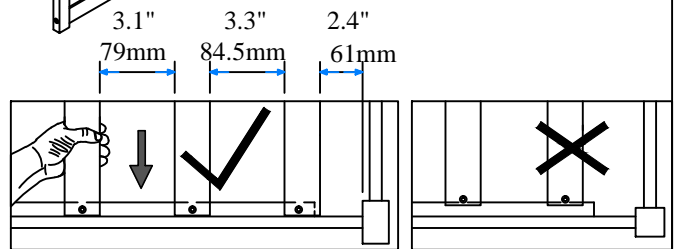
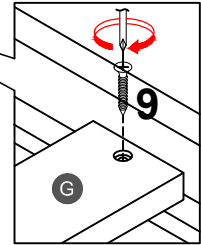
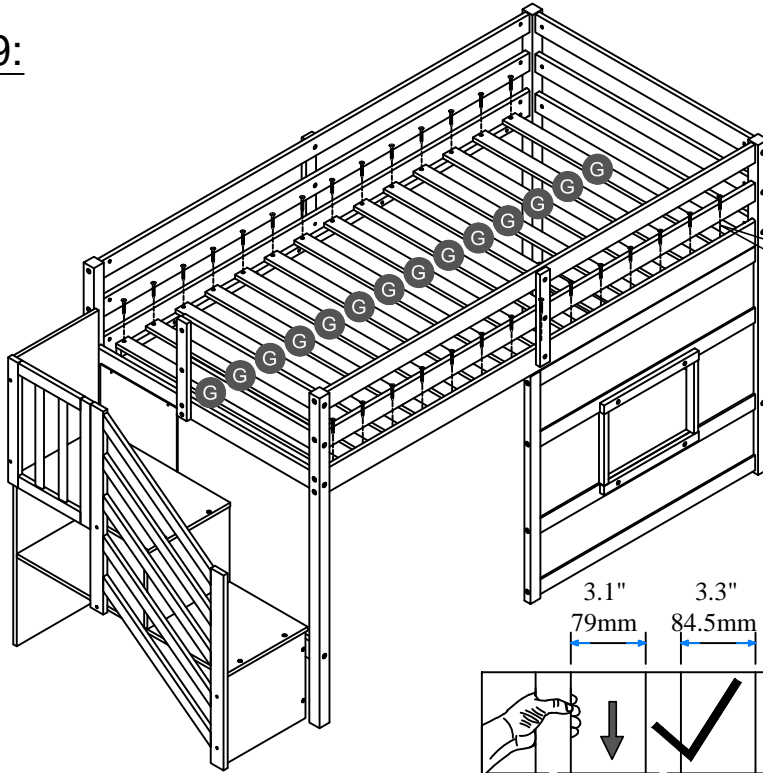


# STEP 19:

9



28PCS



Note: Do not lock the screws of the bed slats to the outermost edge of the bed slats, you need to leave a certain space at the edges, otherwise it will cause the board to break. Do not lock the bed slats on the edge of the wood, please hold firmly before screwing, hold it in place with one hand, then lock the screw.

