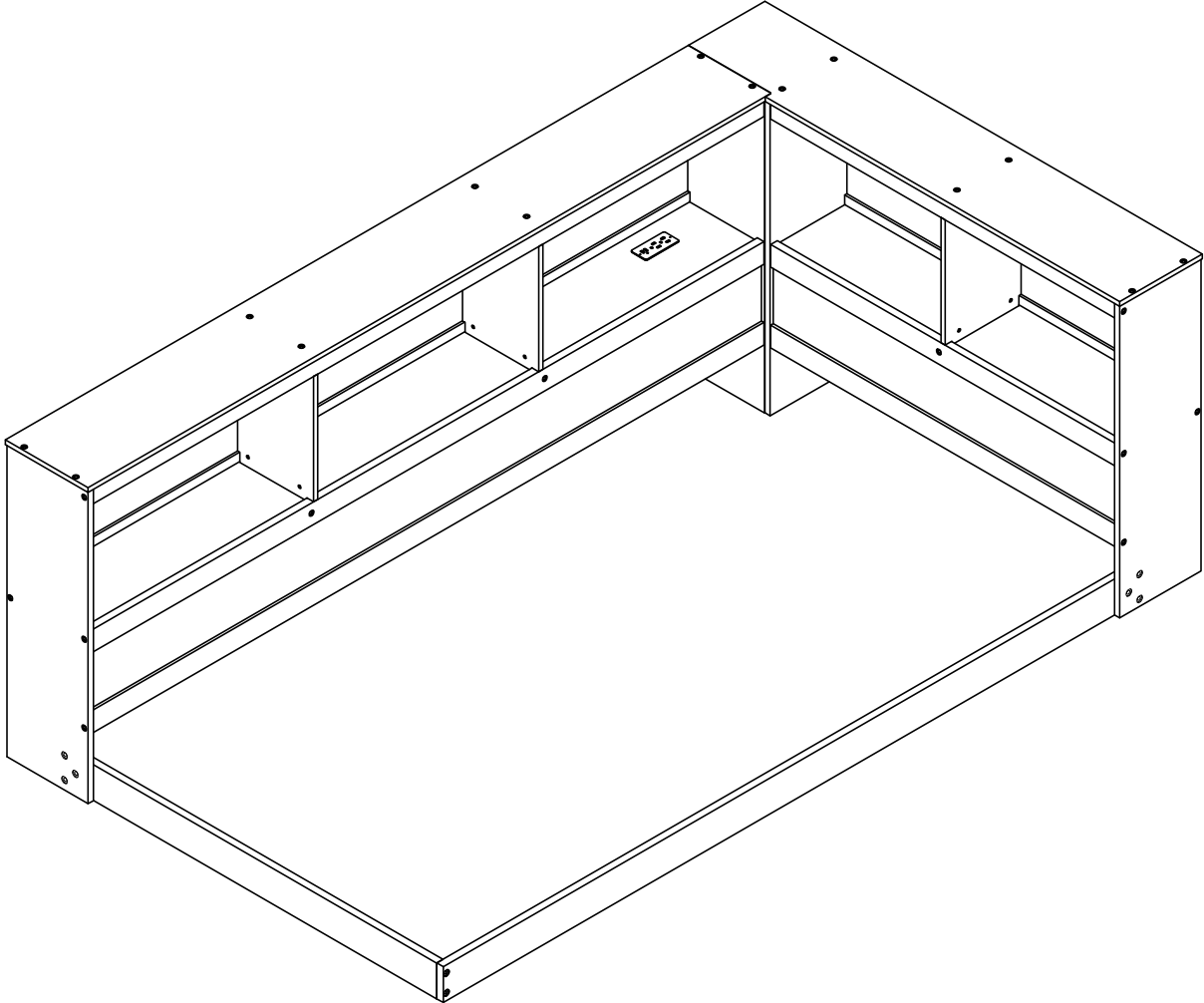
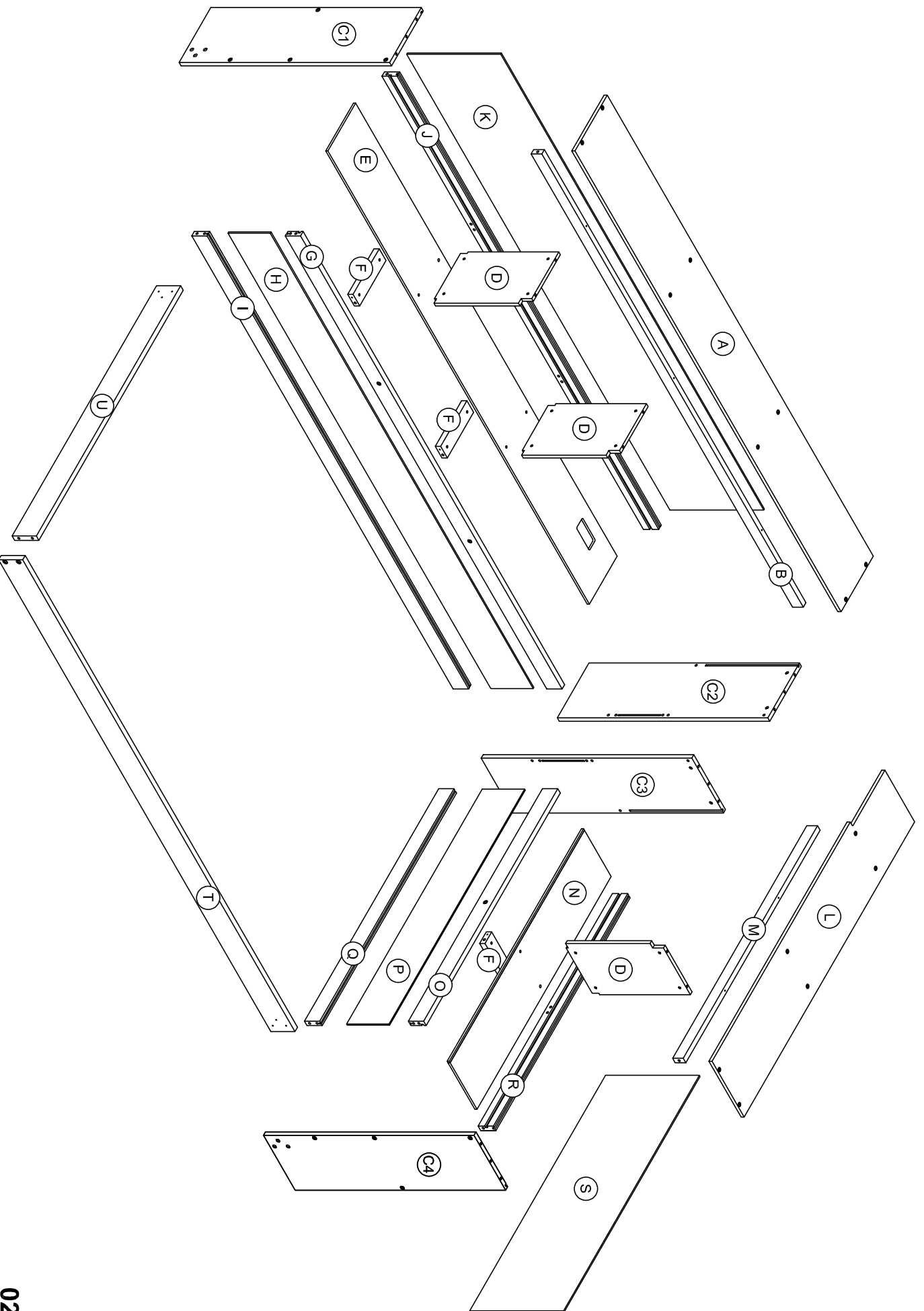


ASSEMBLY INSTRUCTION

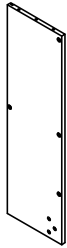
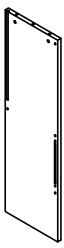

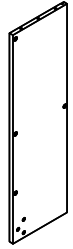
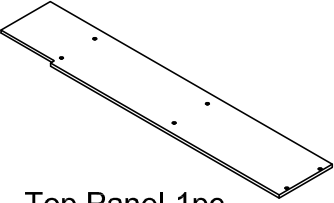
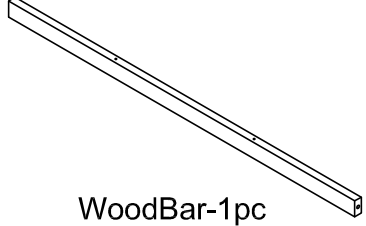
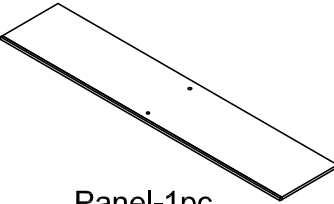
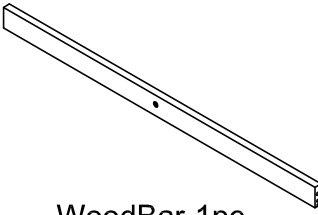
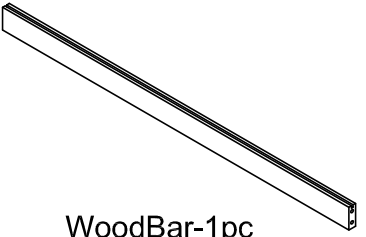


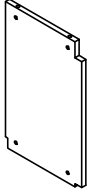
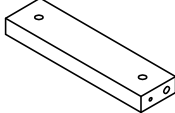
SKU CODE: (WF307748 - WF307749)



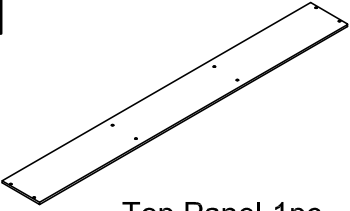

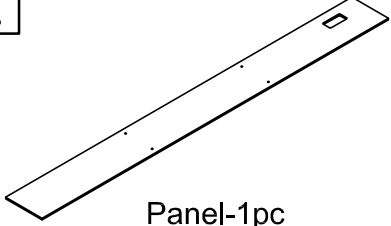
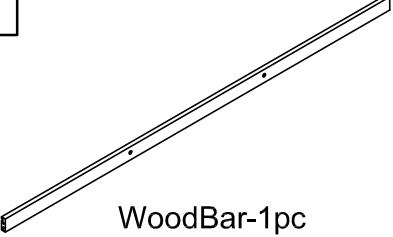
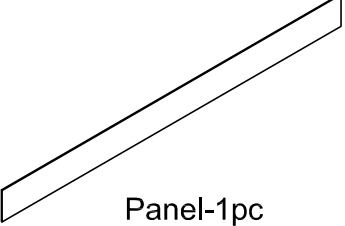


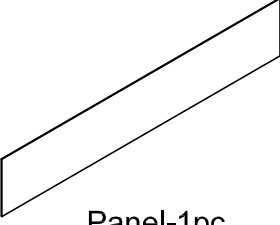
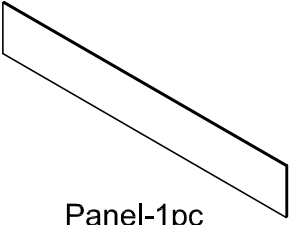
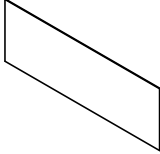
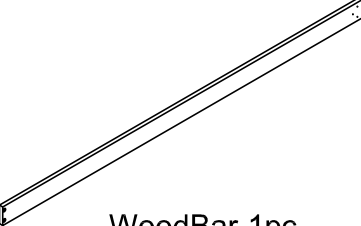
ASSEMBLY INSTRUCTION



Part List & Hardware (Box 1-WF307748)

| | | |
|---|--|---|
| C1  Panel-1pc | C2  Panel-1pc | C3  Panel-1pc |
| C4  Panel-1pc | L  Top Panel-1pc | M  WoodBar-1pc |
| N  Panel-1pc | O  WoodBar-1pc | Q  WoodBar-1pc |
| R  WoodBar-1pc | U  WoodBar-1pc | D  Panel-3pcs |
| F  Support-3pcs | | |

Part List (Box 2-WF307749)

| | | |
|--|--|--|
| A  <p>Top Panel-1pc</p> | B  <p>WoodBar-1pc</p> | E  <p>Panel-1pc</p> |
| G  <p>WoodBar-1pc</p> | H  <p>Panel-1pc</p> | I  <p>WoodBar-1pc</p> |
| J  <p>WoodBar-1pc</p> | K  <p>Panel-1pc</p> | P  <p>Panel-1pc</p> |
| S  <p>Panel-1pc</p> | T  <p>WoodBar-1pc</p> | |

Hardware List (Box 1-WF307748)

1



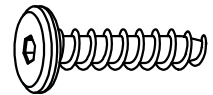
Ø1/4" x 50 mm
Hex-Head bolst 30pcs

2



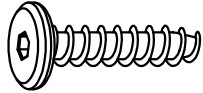
Ø1/4" x 60 mm
Hex-Head bolst 8pcs

3



Screws 1/4" x 30
6pcs

4



Screws 1/4" x 40
6pcs

5



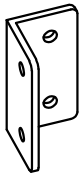
Ø8 x 30
Wooden dowel 18pcs

6



Ø1/4" x 13 mm
Horizontal-Hole bolts 38pcs

7



Steel Bracket
3pcs

8



M3 x 12
Wood Screws 14pcs

9



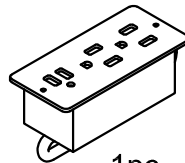
M4 x 30
Wood Screws 5pcs

10



Allen Key
1pc

11

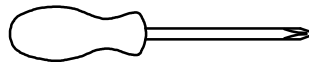


1pc

12








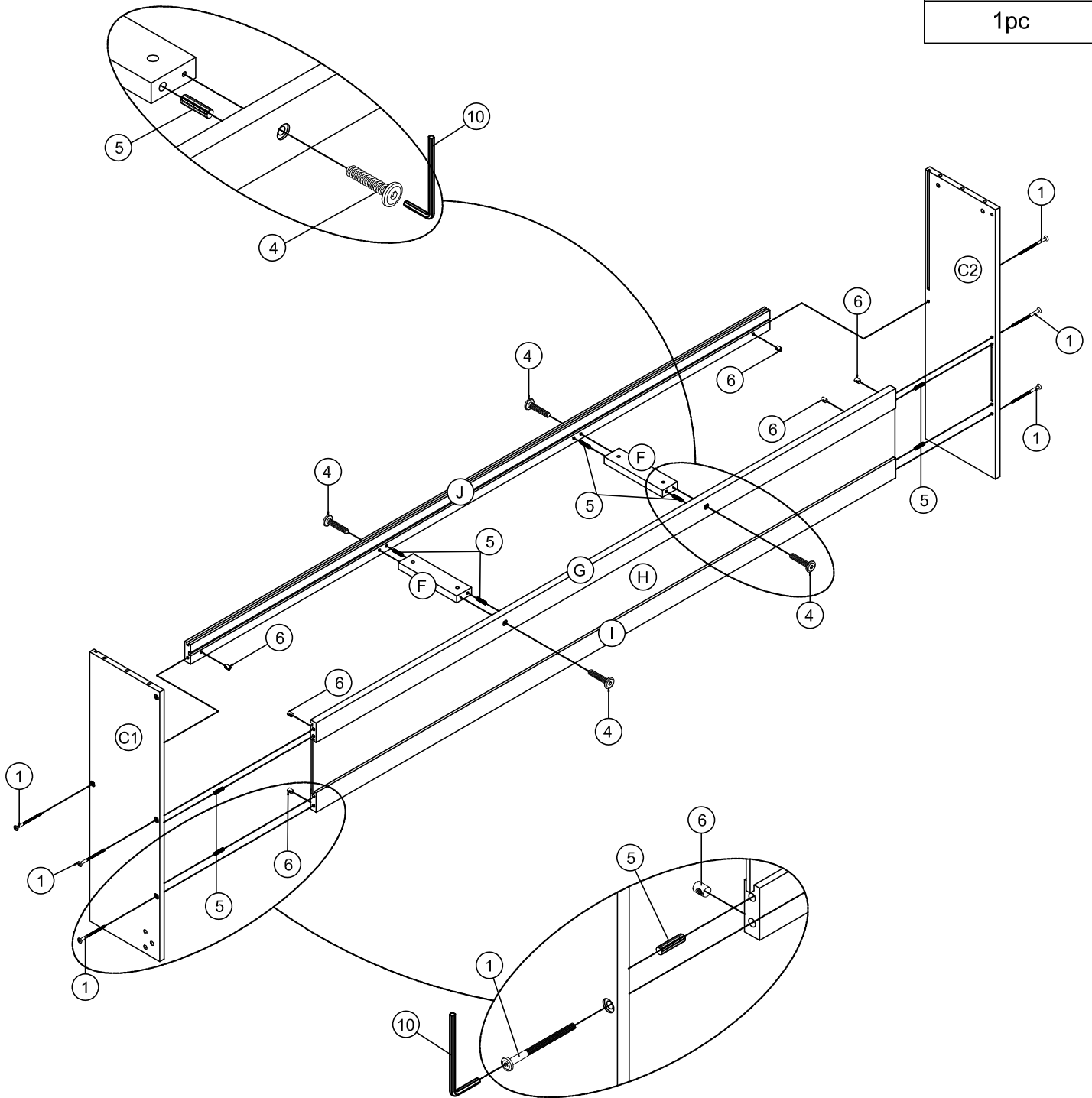
Ø10 x 40
Wooden dowel 1pc



Assembly Tools Required (Not Included)

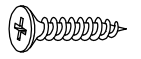
STEP1: Following below illustration.

| | | | |
|---|--|---|--|
| 6  | 5  | 4  | 1  |
| 6pcs | 8pcs | 4pcs | 6pcs |
| | | | 10  |
| | | | 1pc |

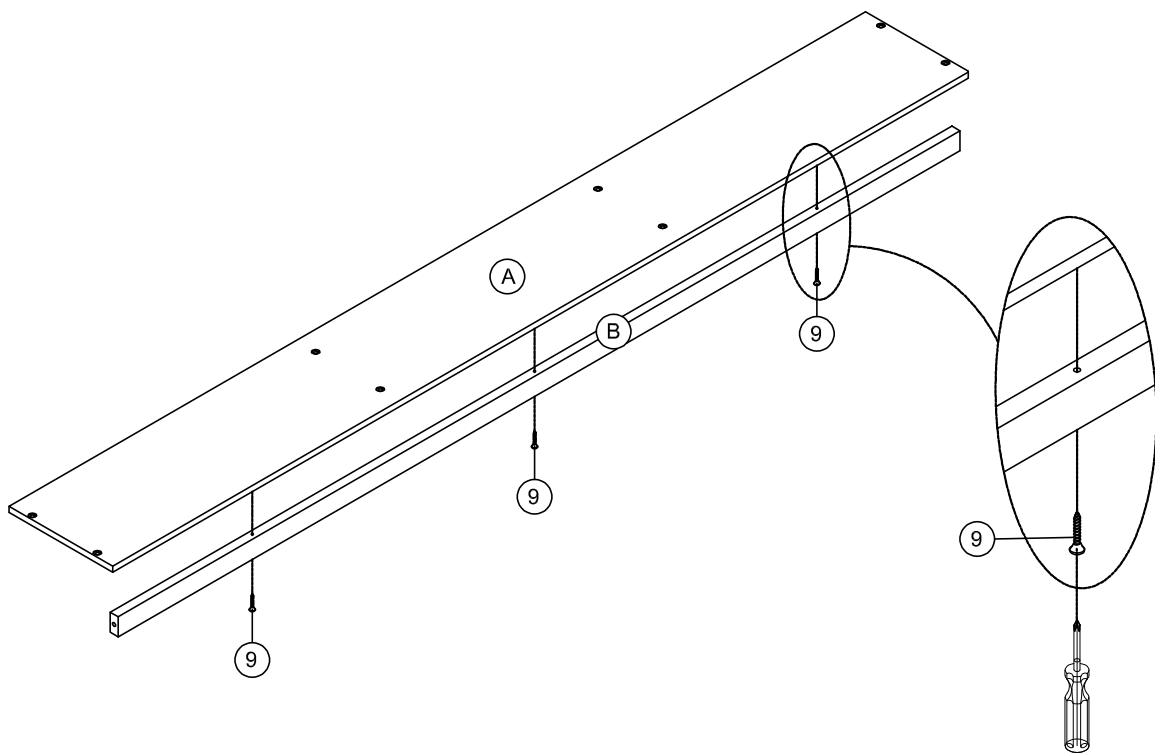


STEP2: Following below illustration.






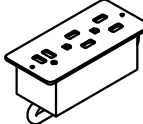

9

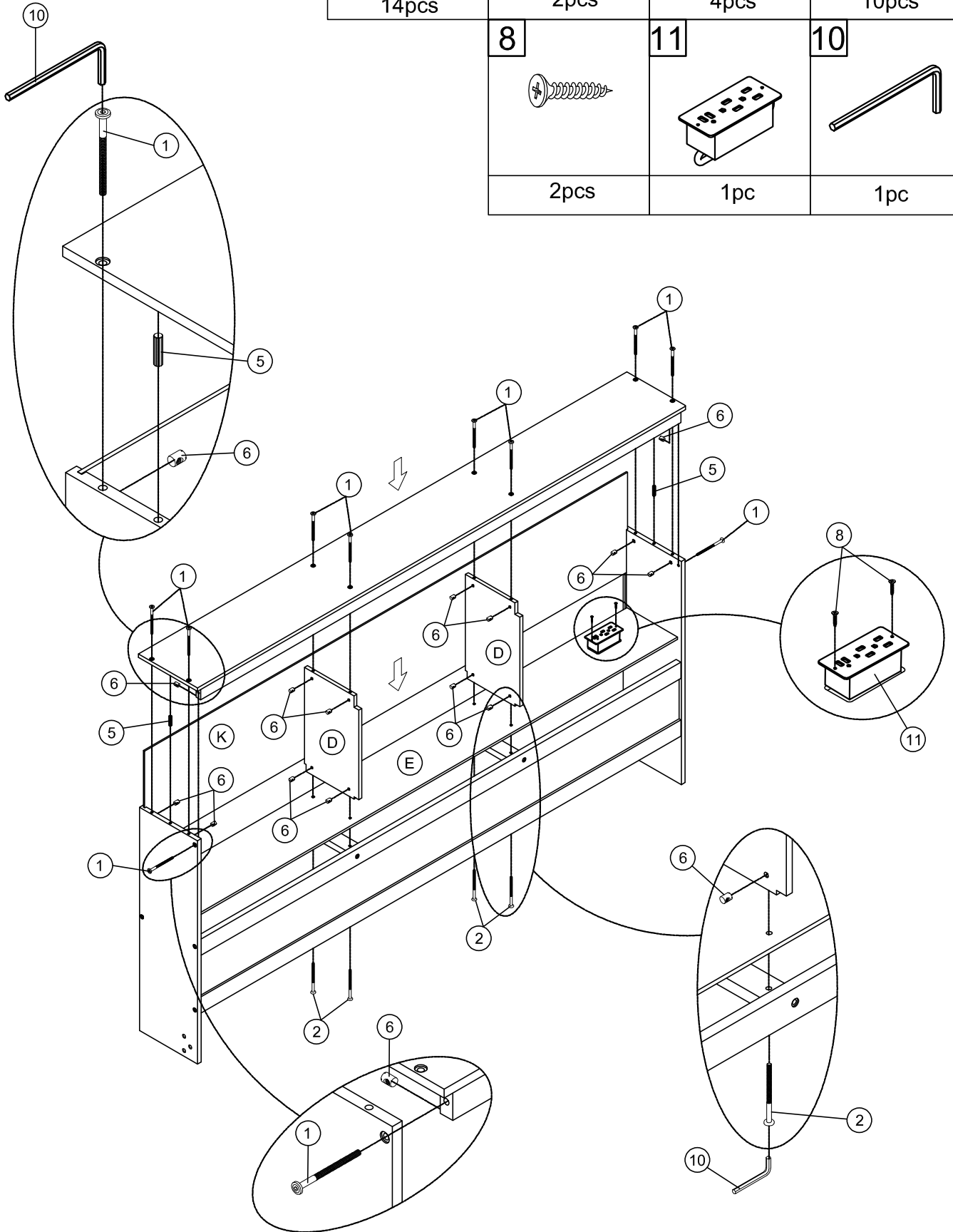


3pcs



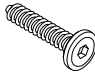




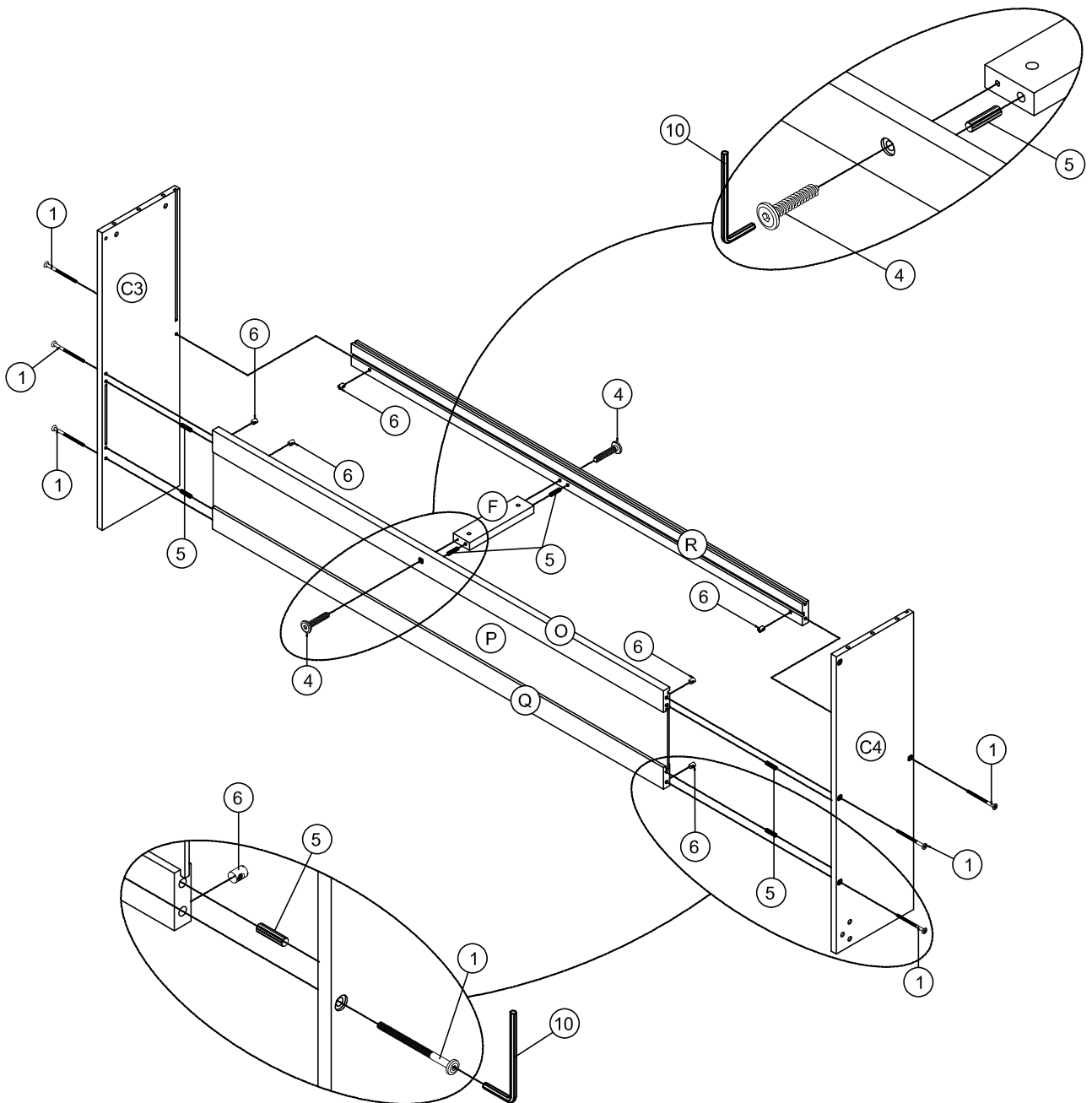
STEP3: Following below illustration.

| | | | |
|--|---|---|---|
|  |  |  |  |
| 14pcs | 2pcs | 4pcs | 10pcs |
|  |  |  | |
| 2pcs | 1pc | 1pc | |



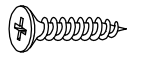
STEP4: Following below illustration.

| | | | |
|---|--|---|--|
| 6  | 5  | 4  | 1  |
| 6pcs | 6pcs | 2pcs | 6pcs |
| | | | 10  |
| | | | 1pc |

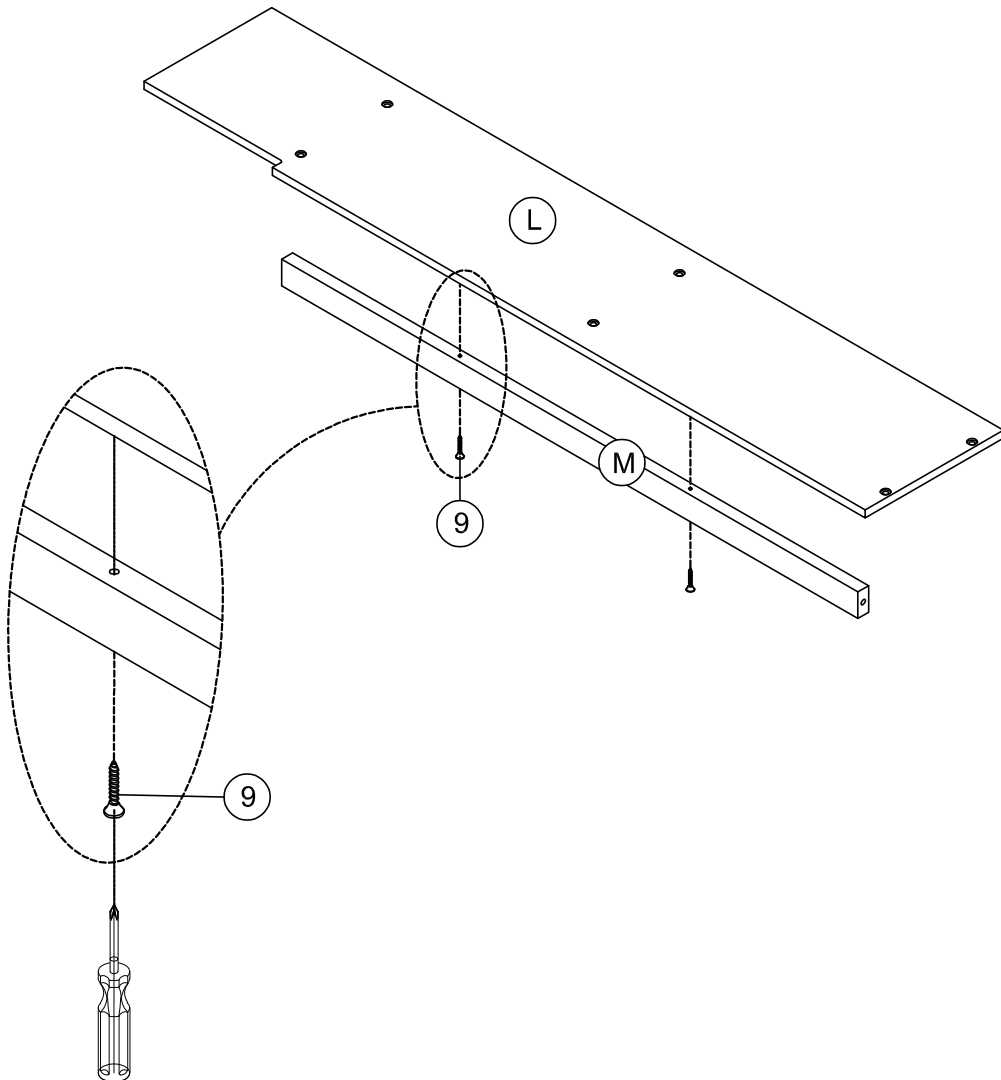


STEP5: Following below illustration.






9

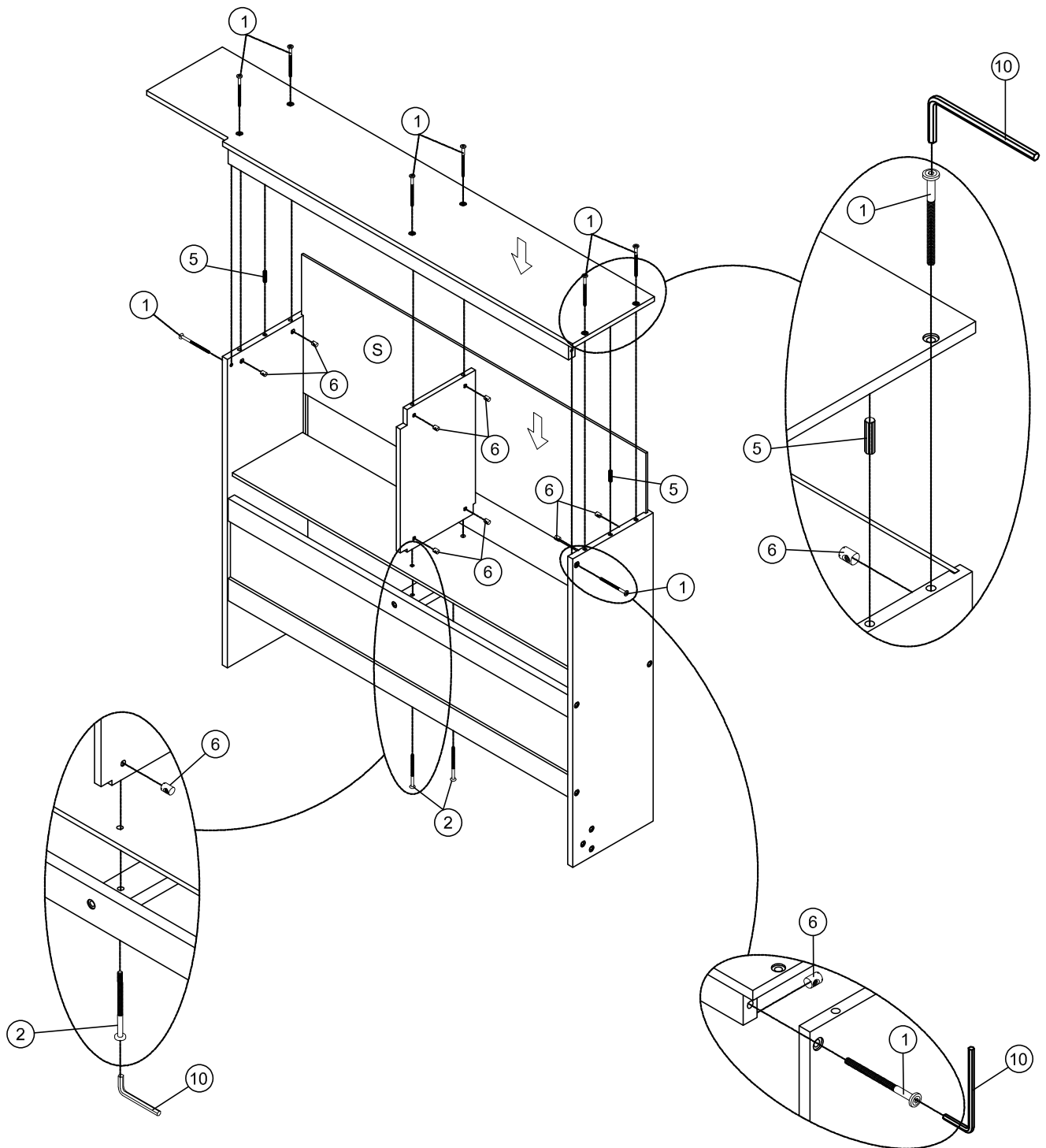


2pcs


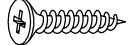


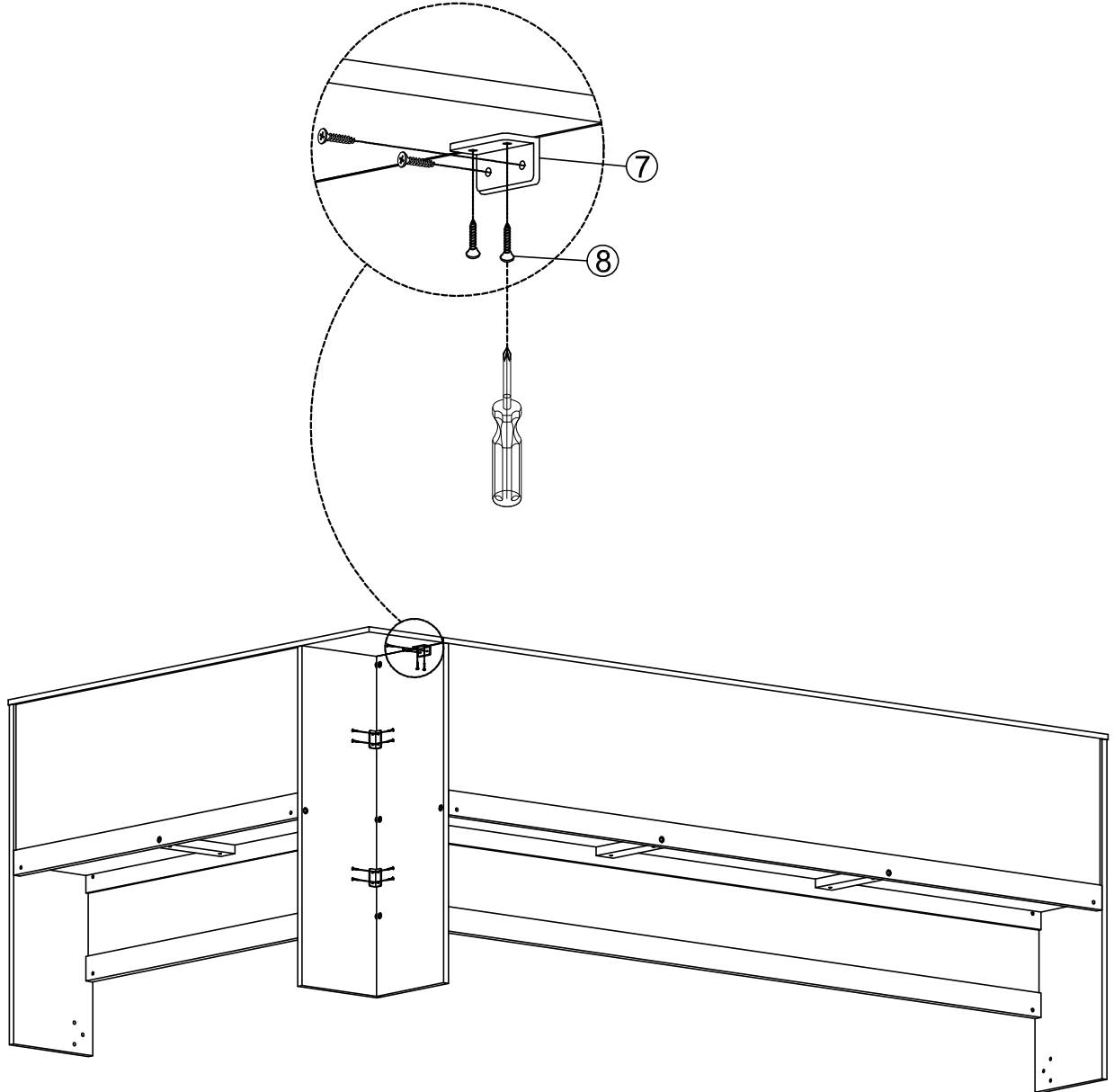
STEP 6: Following below illustration.

| | | | |
|---|--|---|---|
| 6  | 5  | 2  | 1  |
| 10pcs | 2pcs | 2pcs | 8pcs |
| | | | 10  1pc |







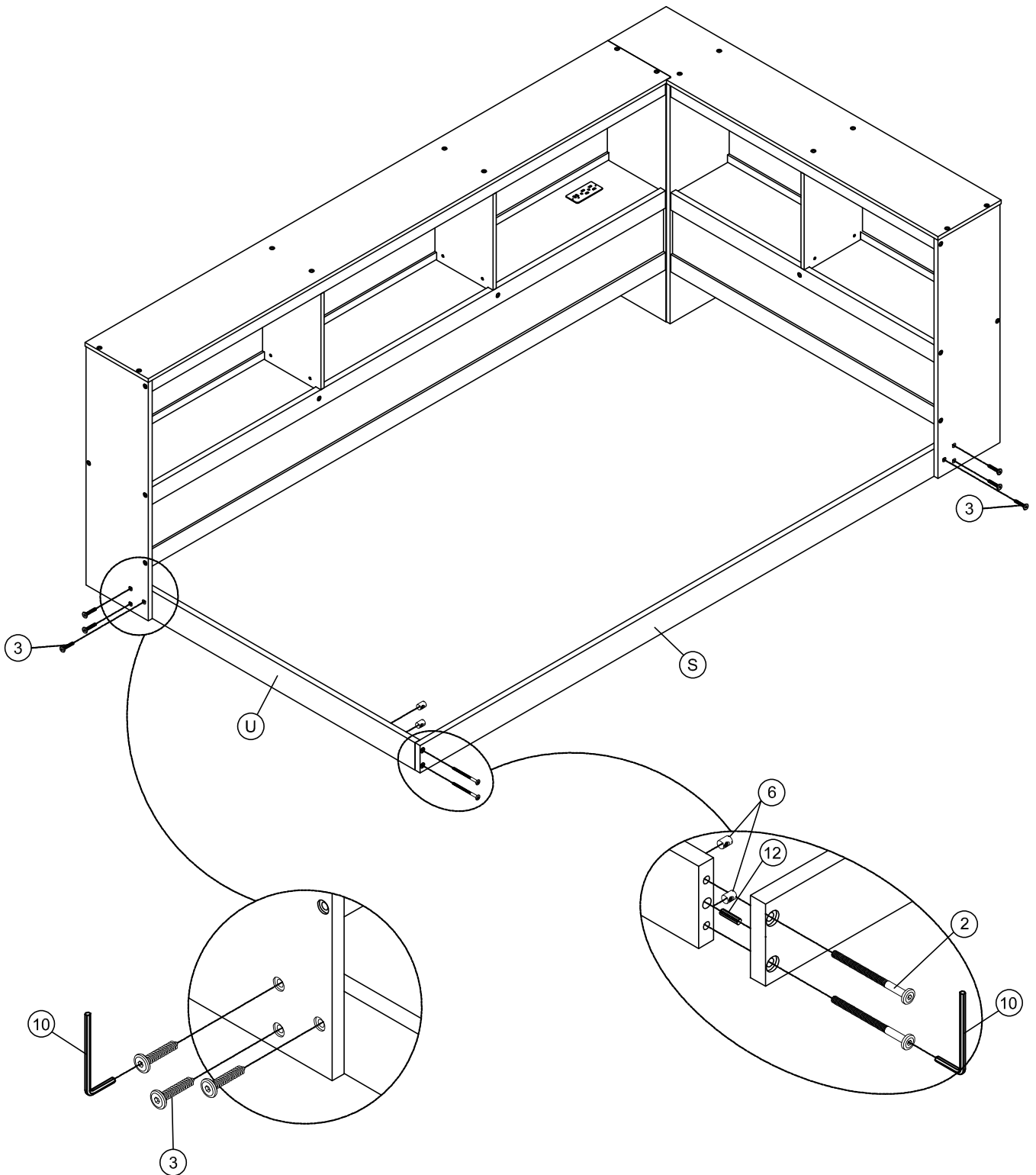
STEP 7: Following below illustration.

| | | | |
|------|---|-------|---|
| 7 |  | 8 |  |
| 3pcs | | 12pcs | |



STEP8: Following below illustration.

| | | | |
|---|--|---|---|
| 6 | 12 | 3 | 2 |
|  |  |  |  |
| 2pcs | 1pc | 6pcs | 2pcs |



Finish

