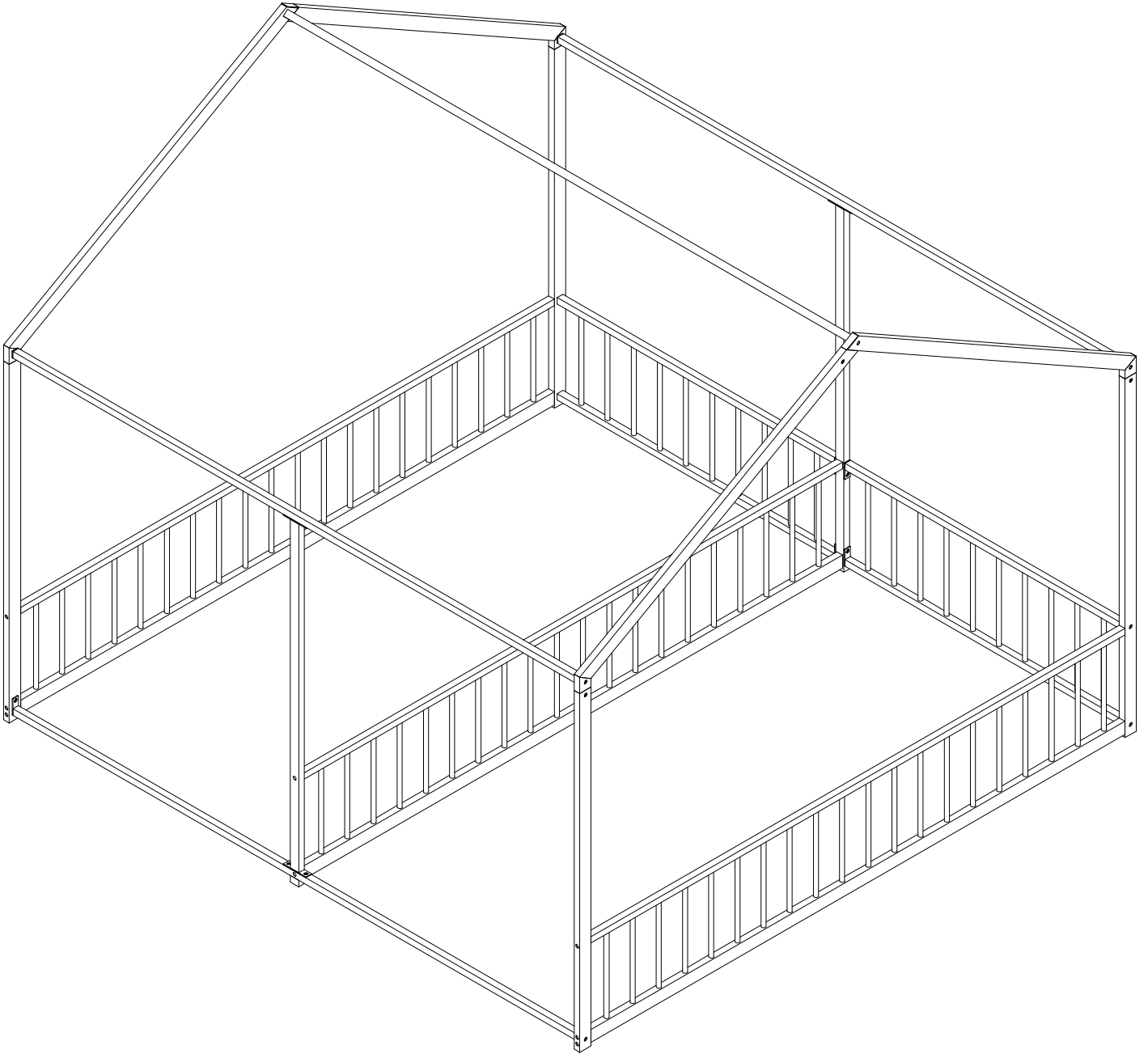


ASSEMBLY INSTRUCTIONS

SKU CODE: MF307505





SAFETY WARNING



1. This bed is designed for use only mattress (es) meeting the following specifications on the lower bunk:

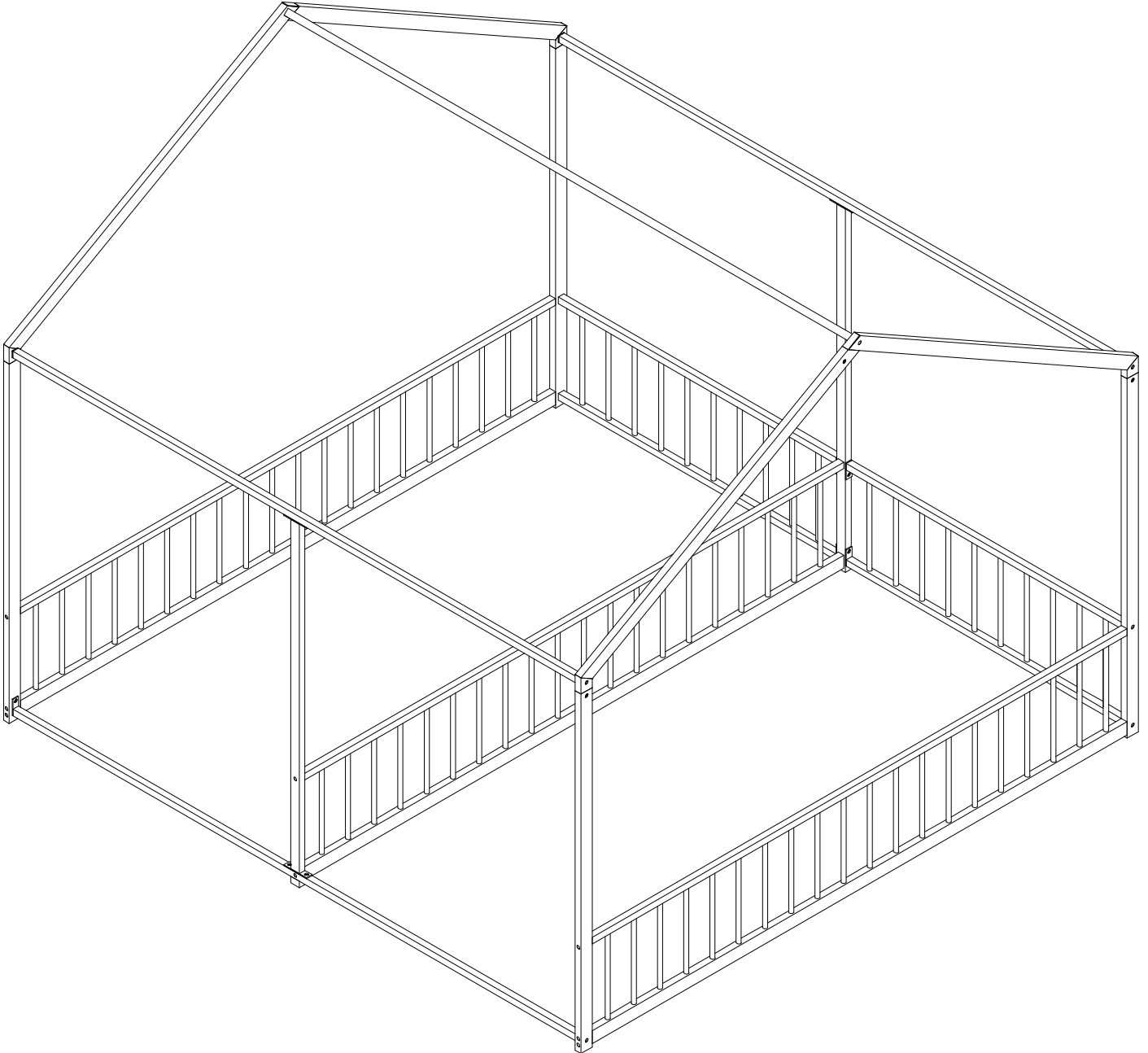
Down bunk:

Bed type	Length	Width	Thickness
Twin Standard	74" - 75"	38 ½"	8" max

2. Replacement parts, including additional guardrails, maybe obtained from any of our (GIGACLOUD TECHNOLOGY (USA) INC. 18961 ARENTH AVENUE CITY OF INDUSTRY, CA, 91748) dealers
3. Follow the information on the warnings appearing on the upper bunk bed end structure and on the carton. Do not remove warning label from bed.
4. Always use the recommended size mattresses or mattress supports, or both, to help prevent the likelihood of entrapment or falls.
5. Surface of mattress must be at least 5" (127mm) below the upper edge of guardrails.
6. Do not allow children under 6 years of age to use the upper bunk.
7. Periodically check and ensure that the guardrail, ladder, and other components are in their proper position, free from damage, and that all connectors are tight.
8. Do not allow horseplay on or under the bed and prohibit jumping on the bed.
9. Always use the ladder for entering and leaving the upper bunk.
10. Do not use substitute part. Contact the manufacture or dealer for replacement part.
11. Use of a night light may provide added safety precaution for a child using the upper bunk.
12. Always use guardrails on both long sides of the upper bunk. If the bunk bed will be placed next to the wall, the guardrail that runs the full length of the bed should be placed against the wall to prevent entrapment between the bed and wall.
13. The use of water or sleep flotation mattresses is prohibited.
14. STRANGULATION HAZARD - Never attach or hang items to any part of the bunk bed that are not designed for use with the bed; for example, but not limited to, hook, belts and jump ropes.
15. Keep these instruction for future reference.
16. Prohibit more than one person on upper bunk
17. We recommend assembling your bunk bed on the shipping carton to protect your floor or carpet.
18. Be certain all staples are out of the box before beginning assembly on the shipping carton.

ASSEMBLY INSTRUCTIONS

BUNK BED



Thank you for purchasing this quality product. Be sure to check all packing material carefully for small parts which may have come loose inside the carton during shipment. Separate, identify and count all parts and hardware.

Compare with the parts list to be sure all parts are present.

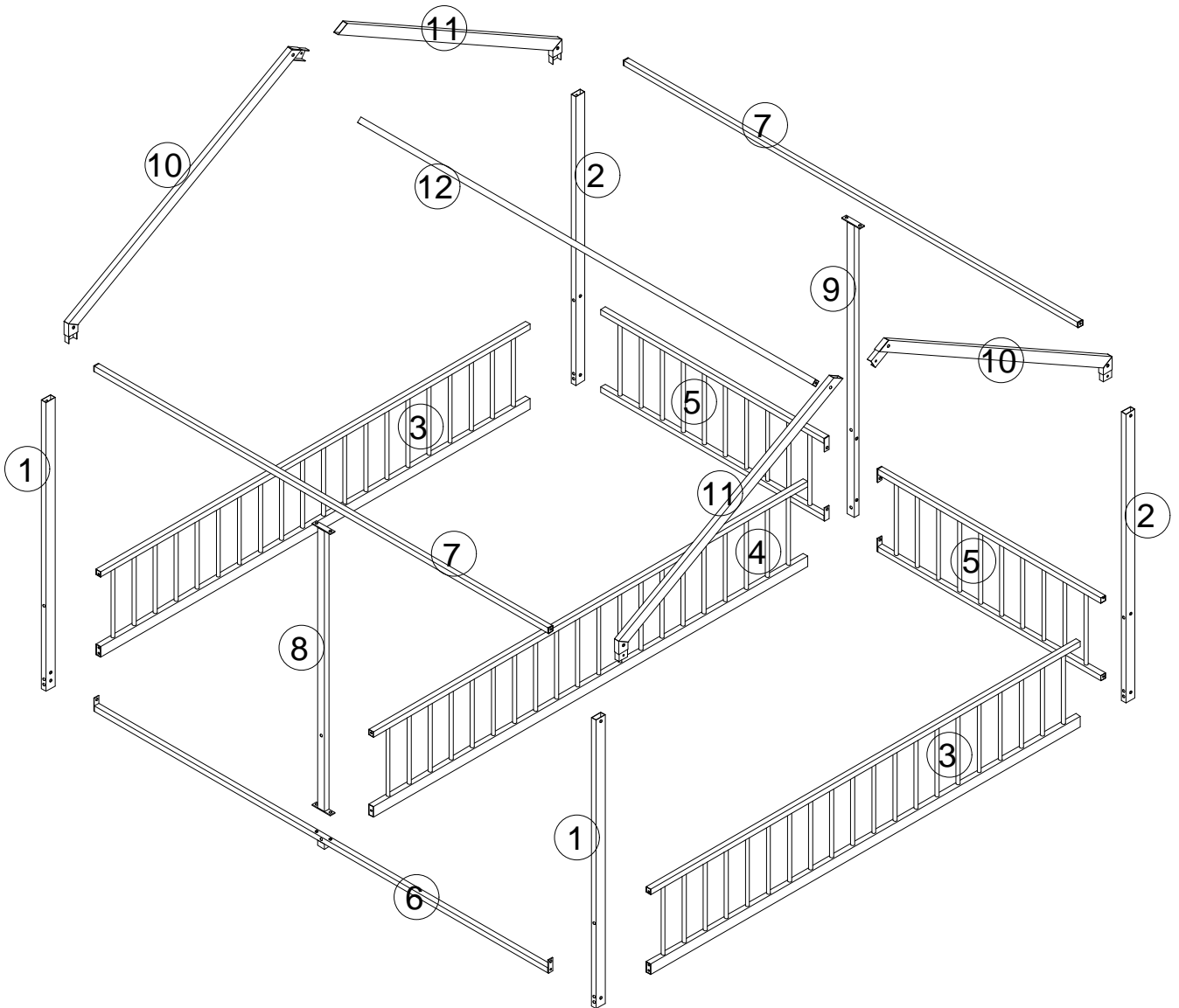
"DO NOT TIGHTEN SCREWS UNTIL COMPLETELY ASSEMBLED"

Detail View

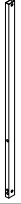

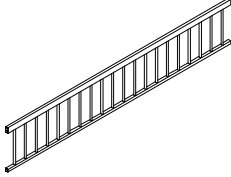
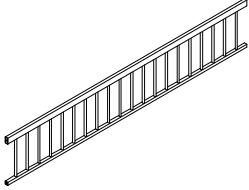
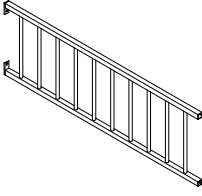
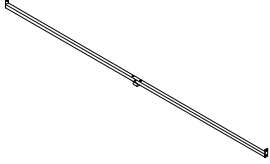
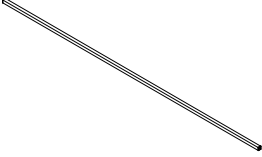

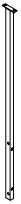

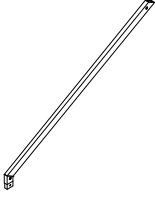
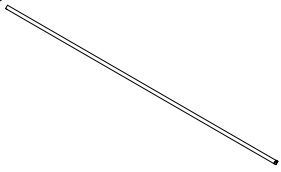
BUNK BED

IMPORTANT:

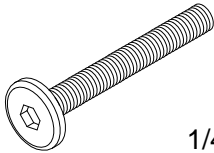
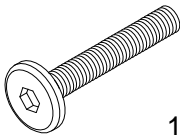
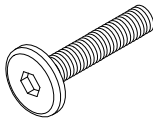
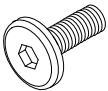

PLEASE READ INSTRUCTION BEFORE STARTING THE ASSEMBLY



PART LIST MF307505

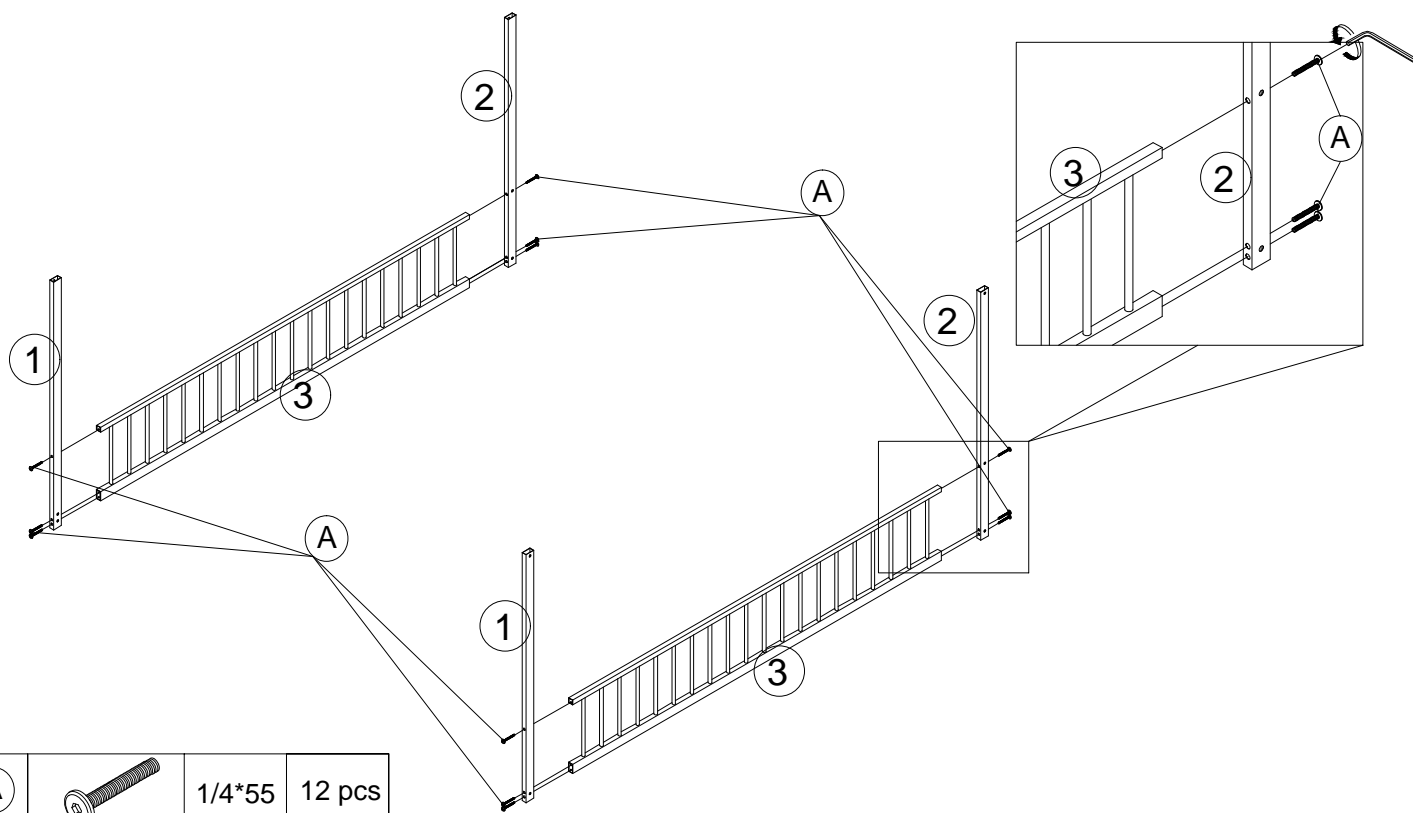
<p>① Vertical bar</p>  <p style="text-align: right;">2 pcs</p>	<p>② Vertical bar</p>  <p style="text-align: right;">2 pcs</p>	<p>③ Guard Frame</p>  <p style="text-align: right;">2 pcs</p>	<p>④ Guard Frame</p>  <p style="text-align: right;">1 pc</p>
<p>⑤ Guard Frame</p>  <p style="text-align: right;">2 pcs</p>	<p>⑥ Horizontal bar</p>  <p style="text-align: right;">1 pc</p>	<p>⑦ Horizontal bar</p>  <p style="text-align: right;">2 pcs</p>	<p>⑧ Vertical bar</p>  <p style="text-align: right;">1 pc</p>
<p>⑨ Vertical bar</p>  <p style="text-align: right;">1 pc</p>	<p>⑩ Roof bar</p>  <p style="text-align: right;">2 pcs</p>	<p>⑪ Roof bar</p>  <p style="text-align: right;">2 pcs</p>	<p>⑫ Horizontal bar</p>  <p style="text-align: right;">1 pc</p>

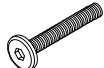
HARDWARE LIST MF307505

<p>Ⓐ Bolts</p>  <p style="text-align: right;">1/4*55 12 pcs</p>	<p>Ⓑ Bolts</p>  <p style="text-align: right;">1/4*40 10 pcs</p>	<p>Ⓒ Bolts</p>  <p style="text-align: right;">1/4*32 6 pcs</p>	<p>Ⓓ Bolts</p>  <p style="text-align: right;">1/4*18 18 pcs</p>
<p>Ⓔ Allen Key</p>  <p style="text-align: right;">4*59 1 pc</p>			

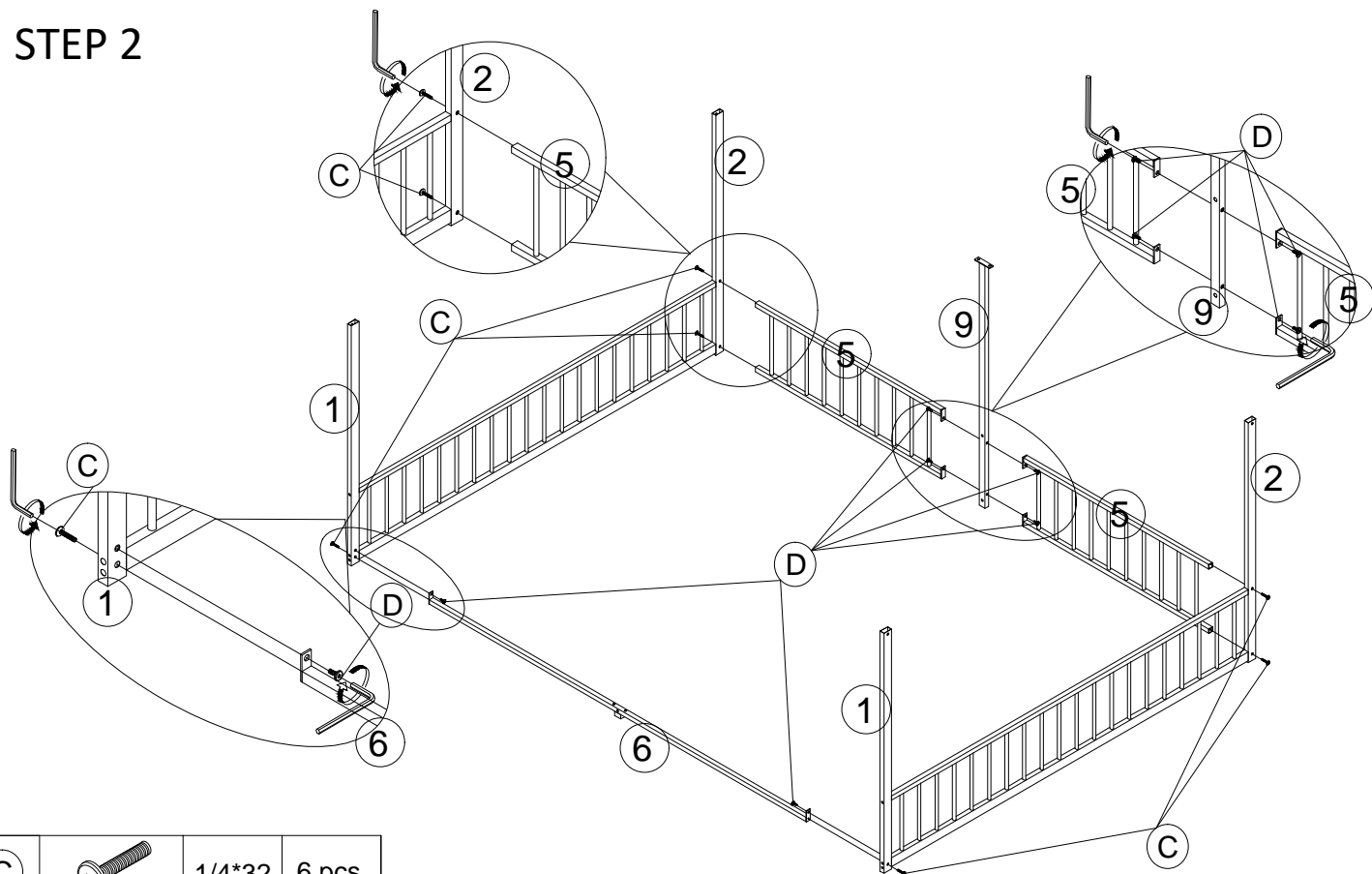
BUNK BED ASSEMBLY INSTRUCTIONS ITEM: MF307505

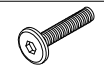

STEP 1



A		1/4*55	12 pcs
---	-------------------------------------------------------------------------------------	--------	--------

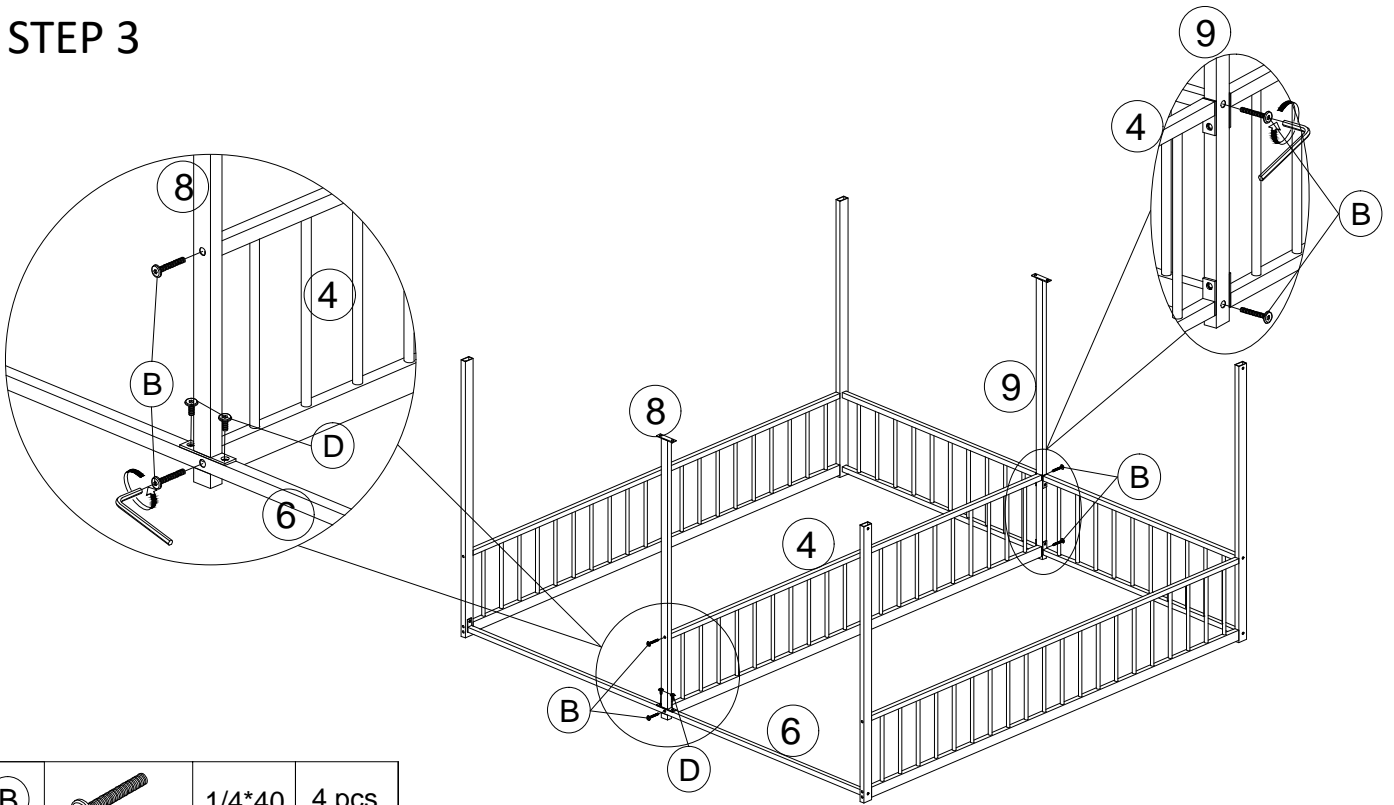
STEP 2





C		1/4*32	6 pcs
D		1/4*18	6 pcs

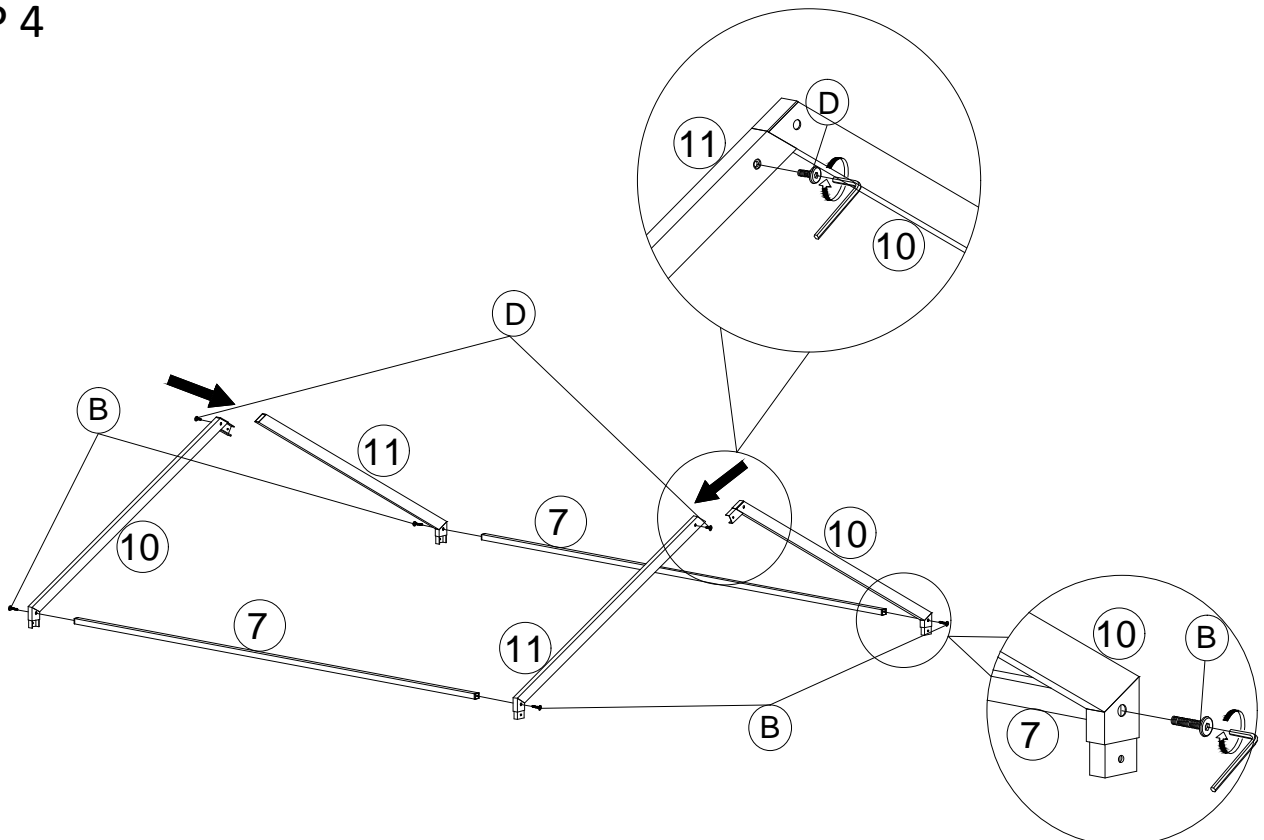
BUNK BED ASSEMBLY INSTRUCTIONS ITEM: MF307505


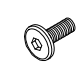
STEP 3



B		1/4*40	4 pcs
D		1/4*18	2 pcs

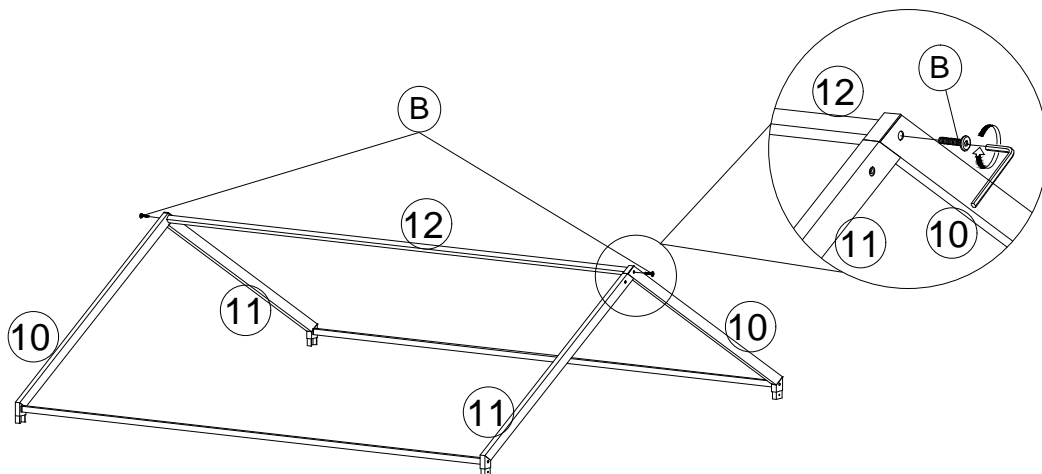
STEP 4




B		1/4*40	4 pcs
D		1/4*18	2 pcs

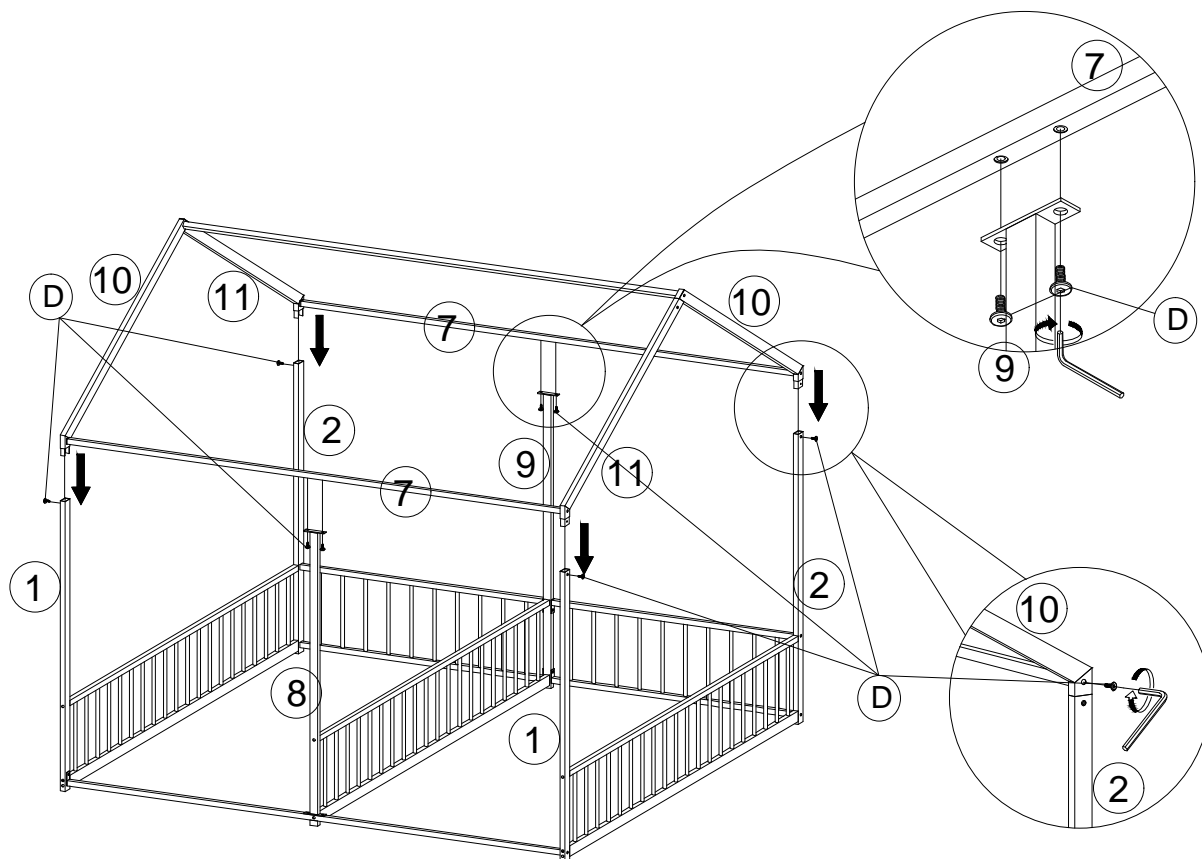
BUNK BED ASSEMBLY INSTRUCTIONS ITEM: MF307505


STEP 5



(B)		1/4*40	2 pcs
-----	-------------------------------------------------------------------------------------	--------	-------

STEP 6



(D)		1/4*18	8 pcs
-----	-------------------------------------------------------------------------------------	--------	-------

8

BUNK BED
ASSEMBLY INSTRUCTIONS
ITEM: MF307505

COMPLETE

