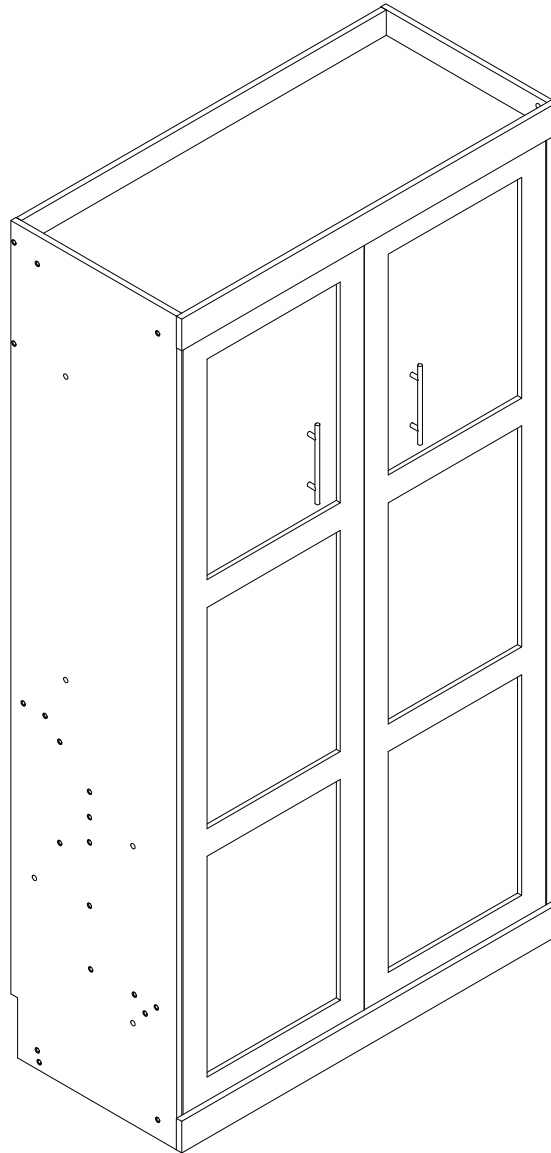


Murphy bed

Assembly Instructions - Please keep for future reference

WF307306AAE, WF307307AAE
WF307308AAE



Dimensions

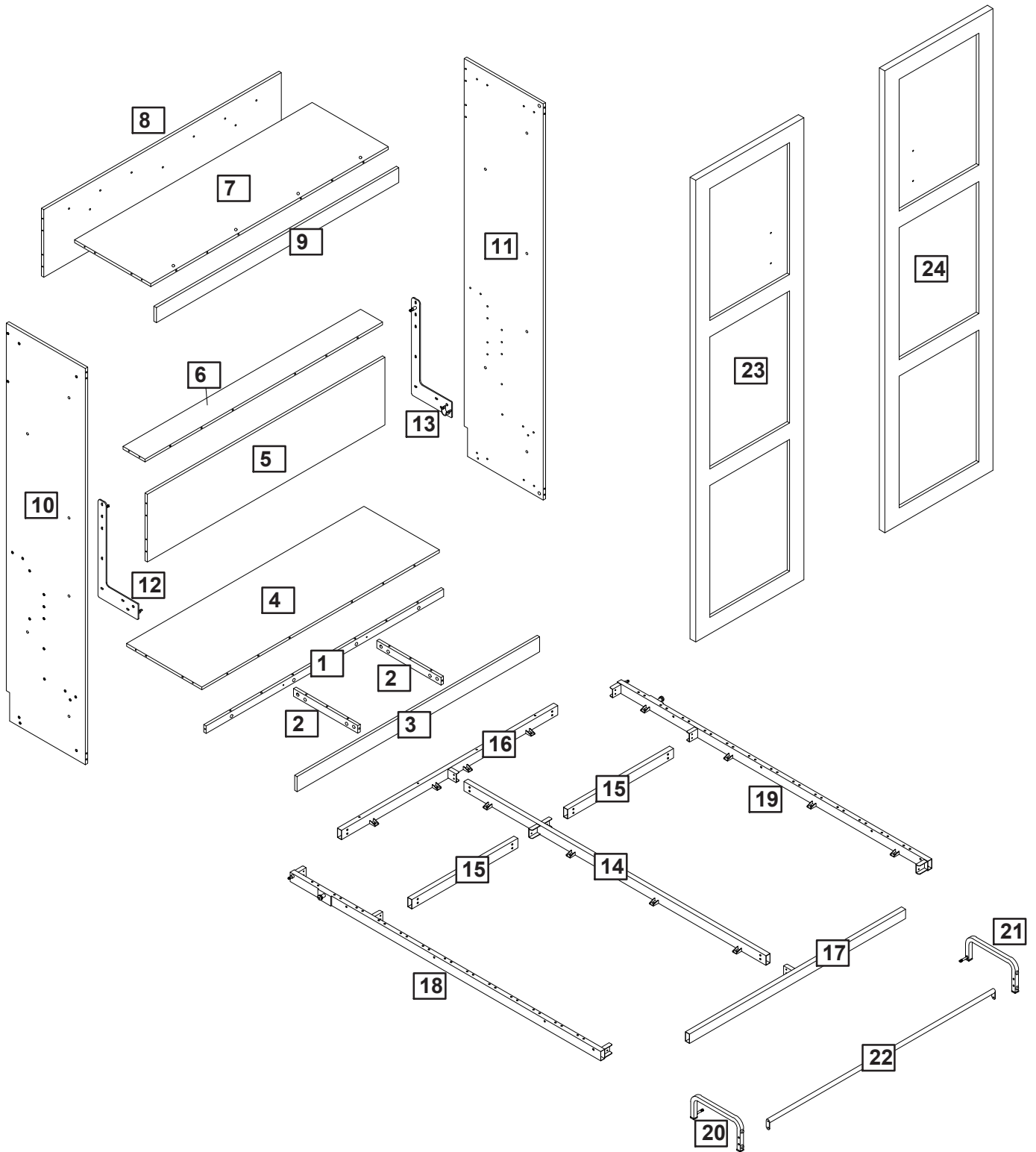
Width - 42inch
Depth - 19.7inch
Height - 83inch



Three people are required to assemble and move this model.

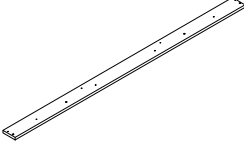
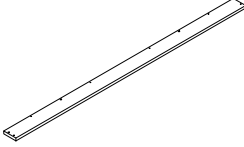

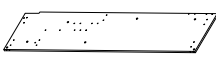
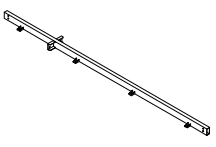
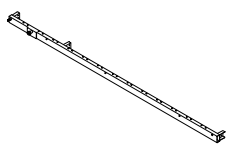
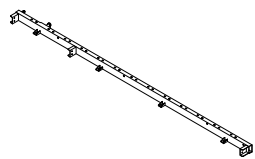
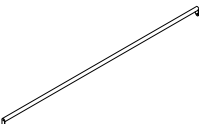
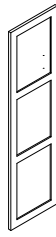
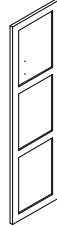
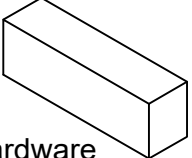
Important – Please read these instructions fully before starting assembly

Assembly Instructions



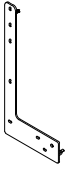

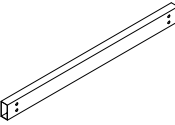
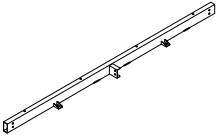
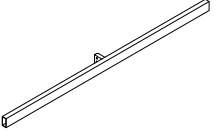
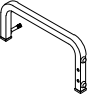
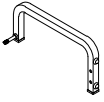
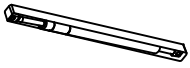

Part List

Hardware list: WF307306AAE

<p>③</p>  <p>1 PC</p>	<p>⑨</p>  <p>1 PC</p>	<p>⑩</p>  <p>1 PC</p>	<p>⑪</p>  <p>1 PC</p>	<p>⑭</p>  <p>1 PC</p>
<p>⑱</p>  <p>1 PC</p>	<p>⑲</p>  <p>1 PC</p>	<p>⑳</p>  <p>1 PC</p>	<p>㉓</p>  <p>1 PC</p>	<p>㉔</p>  <p>1 PC</p>
<p>Hardware</p>  <p>1 PC</p>				

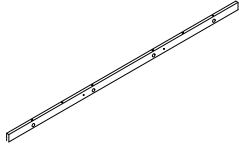
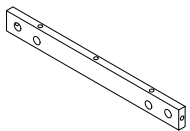
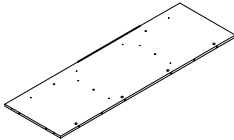
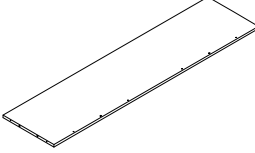
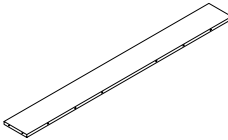
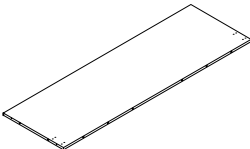
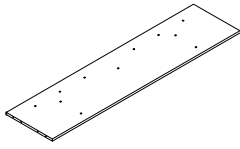
Part List

Hardware list: WF307307AAE

<p>⑫</p>  <p>1 PC</p>	<p>⑬</p>  <p>1 PC</p>	<p>⑮</p>  <p>2 PCS</p>	<p>⑯</p>  <p>1 PC</p>	<p>⑰</p>  <p>1 PC</p>
<p>㉒</p>  <p>1 PC</p>	<p>㉑</p>  <p>1 PC</p>	<p>S</p>  <p>2 PCS</p>	<p>X</p>  <p>13 PCS</p>	

Part List

Hardware list: WF307308AAE

<p>①</p>  <p>1 PC</p>	<p>②</p>  <p>2 PCS</p>	<p>④</p>  <p>1 PC</p>	<p>⑤</p>  <p>1 PC</p>	<p>⑥</p>  <p>1 PC</p>
<p>⑦</p>  <p>1 PC</p>	<p>⑧</p>  <p>1 PC</p>			

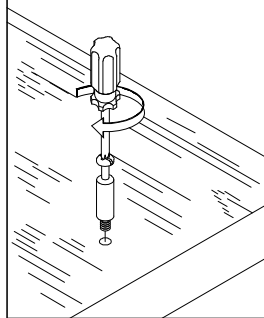
Using Camlocks

Step 1

Connect the male camlock as directed in the assembly instructions using a screwdriver.

1

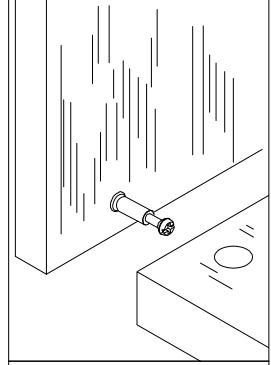
DO NOT OVER TIGHTEN.
NE PAS SERRER EXCESSIVEMENT.



Step 2

Push the male camlock into the entry hole.

2

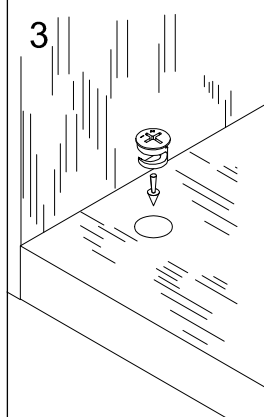


Step 3

Insert the female camlock as shown in the instruction.

Note: ensure that the arrow on the top of the camlock points towards the entry hole for the male camlock.

3



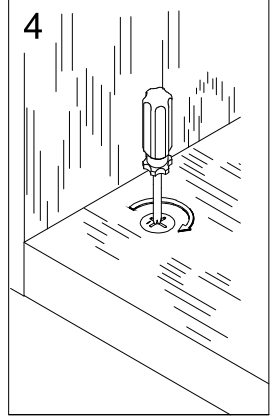
Step 4

Turn the female camlock clockwise with a screwdriver.

You should feel a click when the camlock is locked in place.

The joint is now secure.

4



Important information to read before starting the assembly. Keep this information for future reference.

IMPORTANT WARNINGS

Risk of serious injuries if the wall bed tips over.

To prevent wall bed from tipping over, mount it permanently to the wall.

Only a qualified person* must carry out the installation and any possible adjustment of the wall bed (including disassembly). If the wall bed is not firmly mounted (anchored) to the wall, it might tip over and cause serious injuries to the installer, users of the bed as well as the people near the bed.

The choice of wall anchoring depends on the type of wall. Use wall anchors suitable for the wall material.



* Qualified person: it is necessary to have a good understanding of the wall structure where the bed is anchored, including the positioning of the wall studs and structural components in the case of a wood or metal structure. If you do not have the necessary skills, make sure that the installation is done by someone who has the qualifications and required knowledge. When you choose the installer, make sure to comply with all applicable regulations in the province, state or country where the furniture is installed.

IMPORTANT: BEFORE STARTING ASSEMBLY

Be sure to confirm the following information:

1. The installer has the qualifications * and required knowledge.
2. Only wall anchor screws for wood-frame walls are provided with this bed. See anchor requirements and installation notes provided in the instruction manual, according to the type of wall, and use the appropriate anchors such as described in this manual.
3. Your bed can hold a maximum distributed weight of 1000 lb (455 kg), including the weight of the mattress.
4. Maximum thickness of mattress: 12 in (30.5 cm), and must stand in vertical position without sagging.
5. The bed will not stay open without the weight of the mattress which must be between: 38 lbs (15 kg) and 90 lbs (41 kg).
6. Minimum ceiling height requirements for installation: 83 in (2.11 m).
7. It is recommended to assess the structural integrity of the floor and wall and to make sure that the wall anchoring devices can withstand the forces generated. More specifically, before installing the wall bed, it is necessary to verify that the floor and the wall on which you want to install the bed are flat and have no structural damage that could affect the installation of the wall bed or its anchoring to the wall. Do not install the bed on weakened or rotten structures.
8. It is necessary to ensure that wall anchors of the bed can withstand forces generated. The value of the holding power (Fh) of each anchor should be 630 Newtons (142 lbf).

If the wall bed is not installed properly, the latter might close unexpectedly or could open involuntarily. In addition, if the wall bed is installed incorrectly, one of its structural components may break and fall off.

WALL ANCHORING REQUIREMENTS & INSTALLATION RECOMMENDATIONS

Important information to read before starting the assembly.
Keep this information for future reference.



IMPORTANT WARNINGS

Risk of serious injuries if the wall bed tips over.

To prevent wall bed from tipping over, mount it permanently to the wall.

Only a qualified person* must carry out the installation and any possible adjustment of the wall bed (including disassembly). If the wall bed is not firmly mounted (anchored) to the wall, it might tip over and cause serious injuries to the installer, users of the bed as well as the people near the bed.

The choice of wall anchoring depends on the type of wall. Use wall anchors suitable for the wall material.

* Qualified person: it is necessary to have a good understanding of the wall structure where the bed is anchored, including the positioning of the wall studs and structural components in the case of a wood or metal structure. If you do not have the necessary skills, make sure that the wall anchoring is done by someone who has the qualifications and required knowledge. When you choose the installer, make sure to comply with all applicable regulations in the province, state or country where the furniture is installed.

IMPORTANT WARNINGS



INSTALLATION AND APPROPRIATE HARDWARE

Using appropriate hardware, all the anchor screws of the wall bed must be firmly secured to the wood or metal studs, the structural components, or a masonry wall.

Only wall anchor screws for wood-frame walls are provided with this bed.

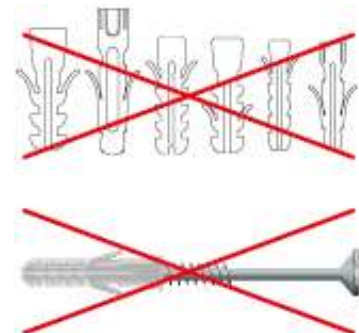
NEVER USE DRYWALL ANCHOR SCREWS OR SECURE THE BED TO DRYWALL

See wall anchoring requirements and installation notes provided in the instruction manual, according to the type of wall, and use the appropriate anchors such as described in this manual.

NUMBER OF SCREWS NEEDED

Two (2) screws are required for each anchor point. Three (3) wall anchor points are necessary for the proper installation of the wall bed. So you need a total of six (6) wall anchor screws.

THE SCREWS MUST BE VERY WELL ANCHORED TO THE STRUCTURAL COMPONENTS OF THE WALL.



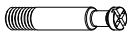




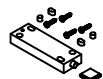


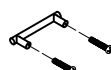






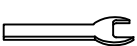
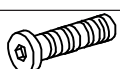



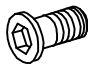
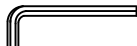


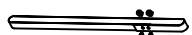
**** A CERTIFIED CONSTRUCTION PROFESSIONAL, IN COMPLIANCE WITH APPLICABLE REGULATIONS IN THE PROVINCE, STATE, OR COUNTRY WHERE THE FURNITURE IS INSTALLED.**

Part List

Hardware list: WF307306AAE

Please check you have all the panels listed below

Note: The quantities below are the correct amount to complete the assembly. In some cases more fittings may be supplied than are required.

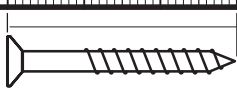
A  Male Camlock x 28	B  Female Camlock x 28	C  Dowel x 32
D  6*50mm Screw x 26	E  Hex Key M4 x 1	F  Magnetic bump x 2
G  Expansion screw x 6	H  MATTRESS SUPPORT x 2	I  Handle & Fixings x 2
J  Fastener x 2	K  Nut M5 x 2	L  Ø20 Sticker x 28
M  Webbing x 2	N  Nylon washer (19*1.5) x 20	O  Nut M8 x 6
P  Wrench x 1	Q  6*30mm Screw x 4	R  5*15mm Screw x 2
S  Cylinder x 2	T  6*12mm Screw x 40	U  8*20mm Screw x 16
V  Hex Key M5 x 1	W  Single plastic cap x 26	X  Slat x 13
Y  Fixed cylinder metal x 2		

Tools required



Ruler - Use this ruler to help correctly identify the screws

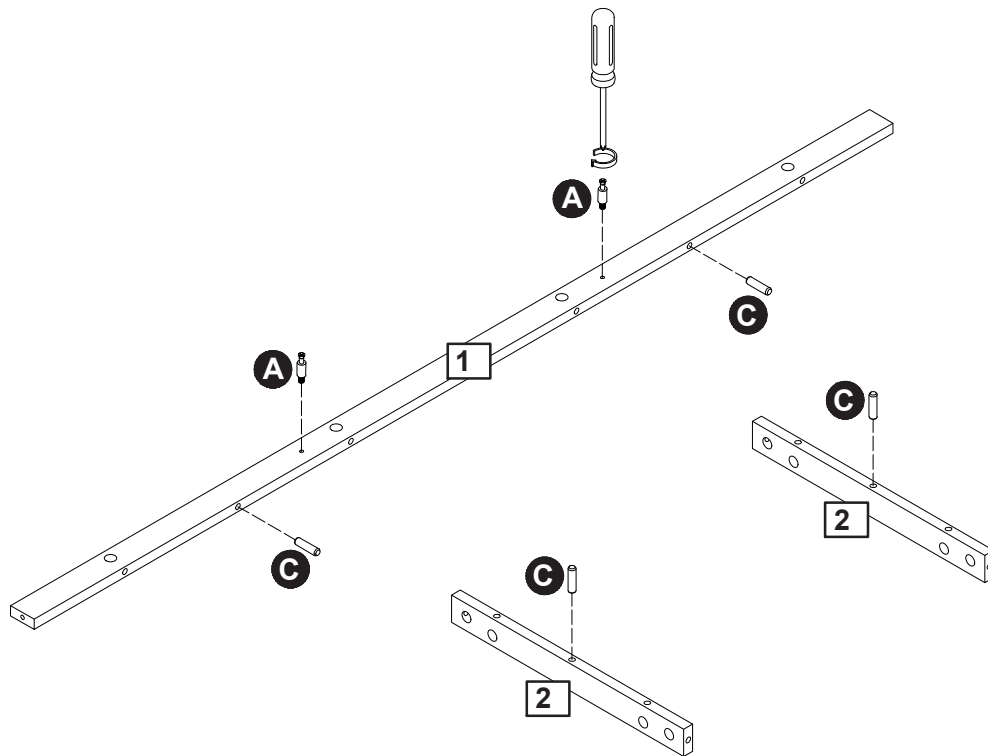
0 5 10 15 20 25 30 35 40 45 50 55 60 65 70 75 80 85 90 95 100 105 110 115 120 125 130 135 140 145 150 155 160 165 170



The screws length is measured from the head to the point (30mm screw shown).

Assembly Instructions

Step 1



A



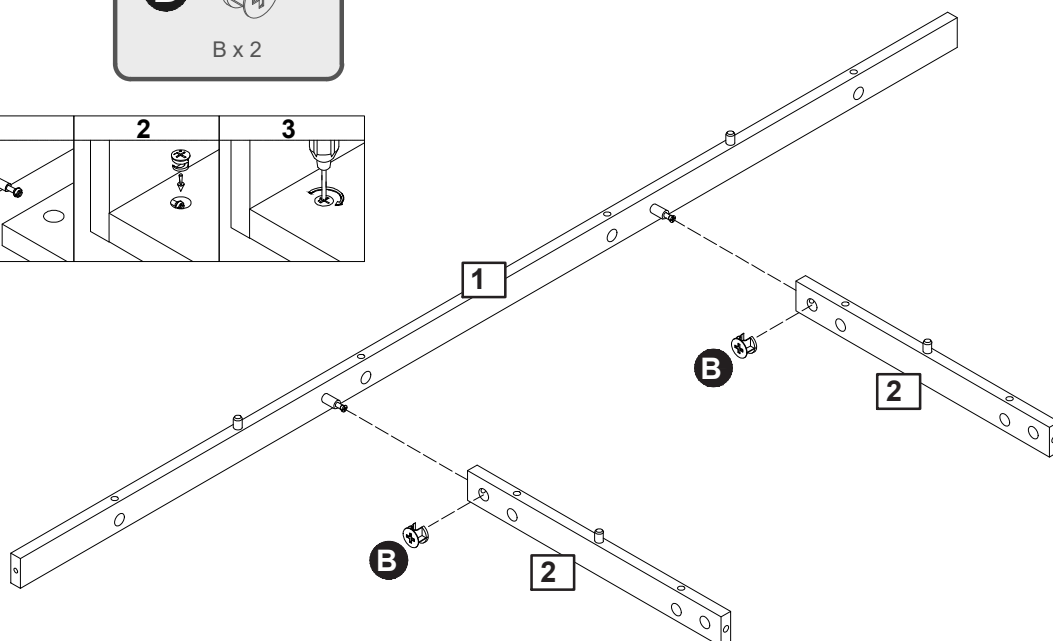
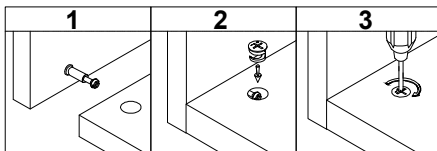
A x 2

C



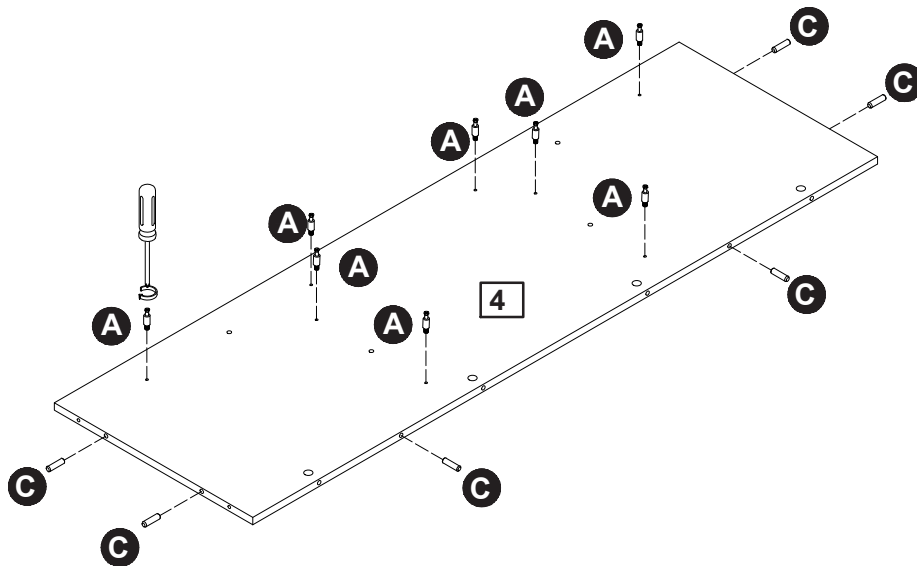
C x 4

Step 2



Assembly Instructions

Step 3



A



A x 8

C



C x 6

Step 4

A

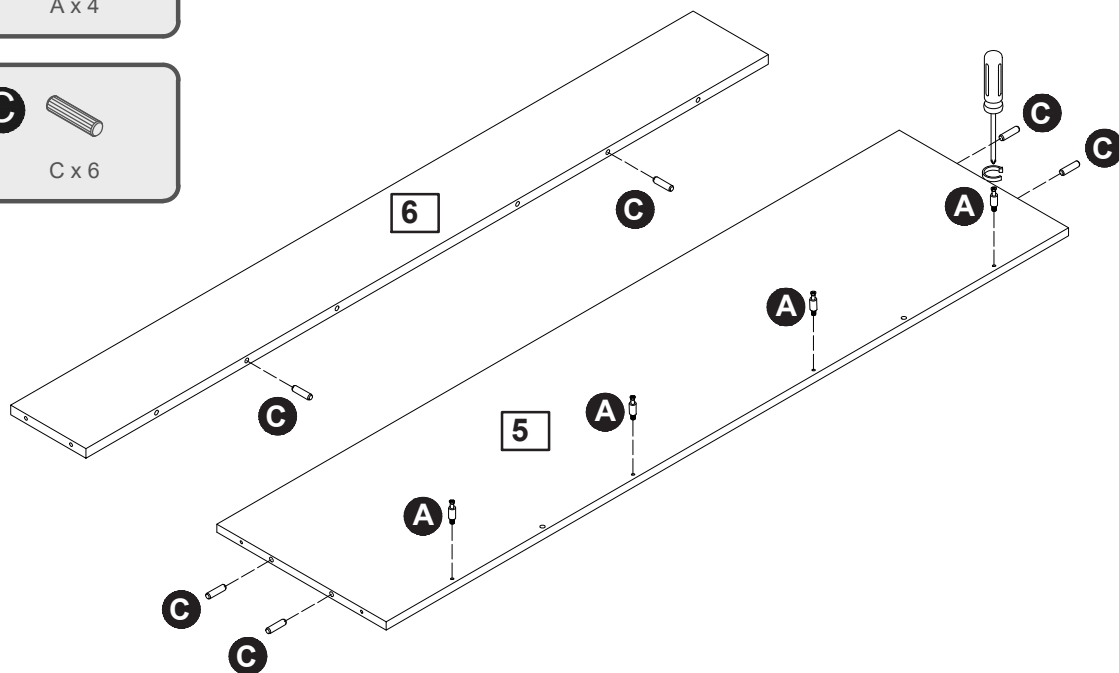


A x 4

C

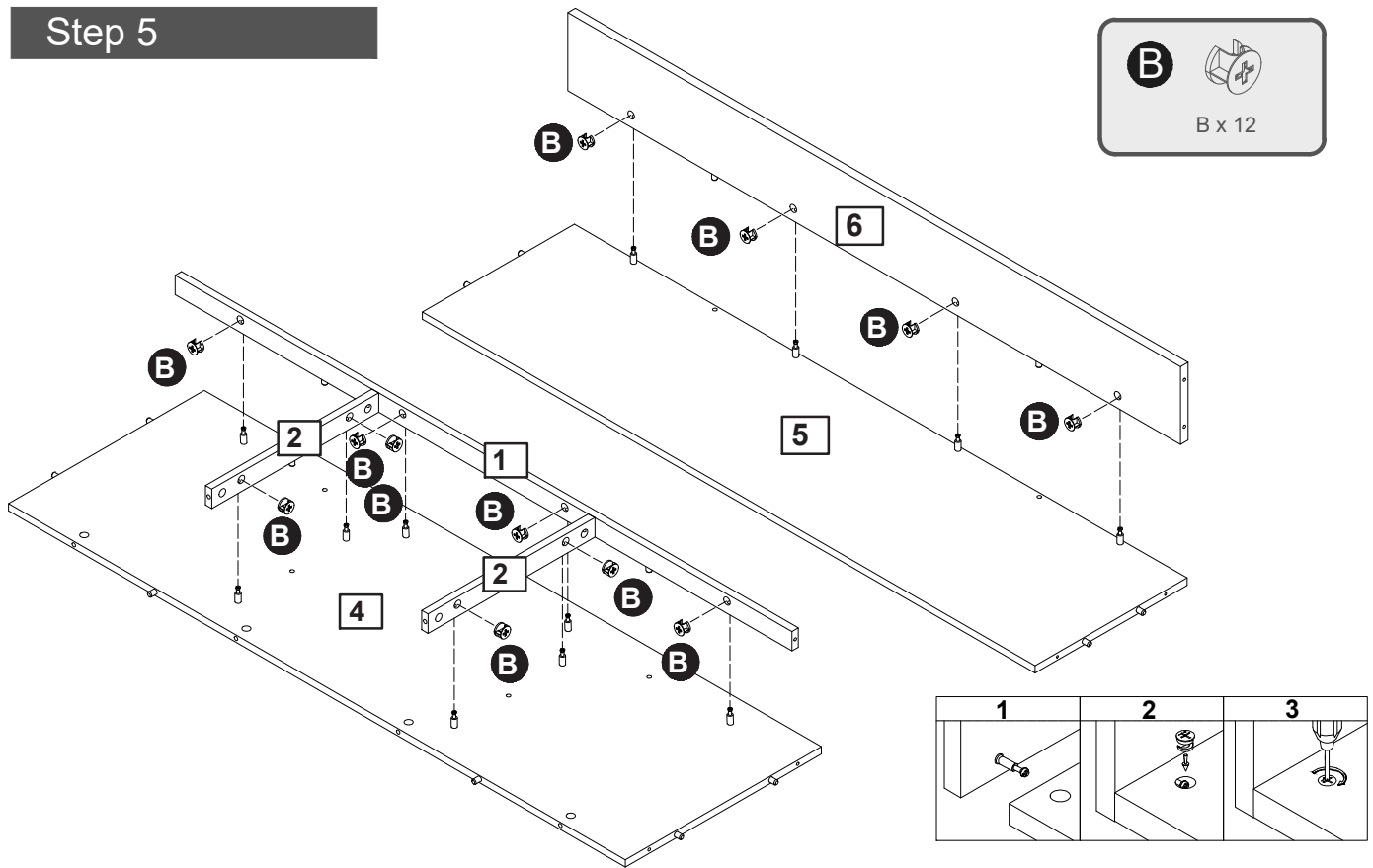


C x 6

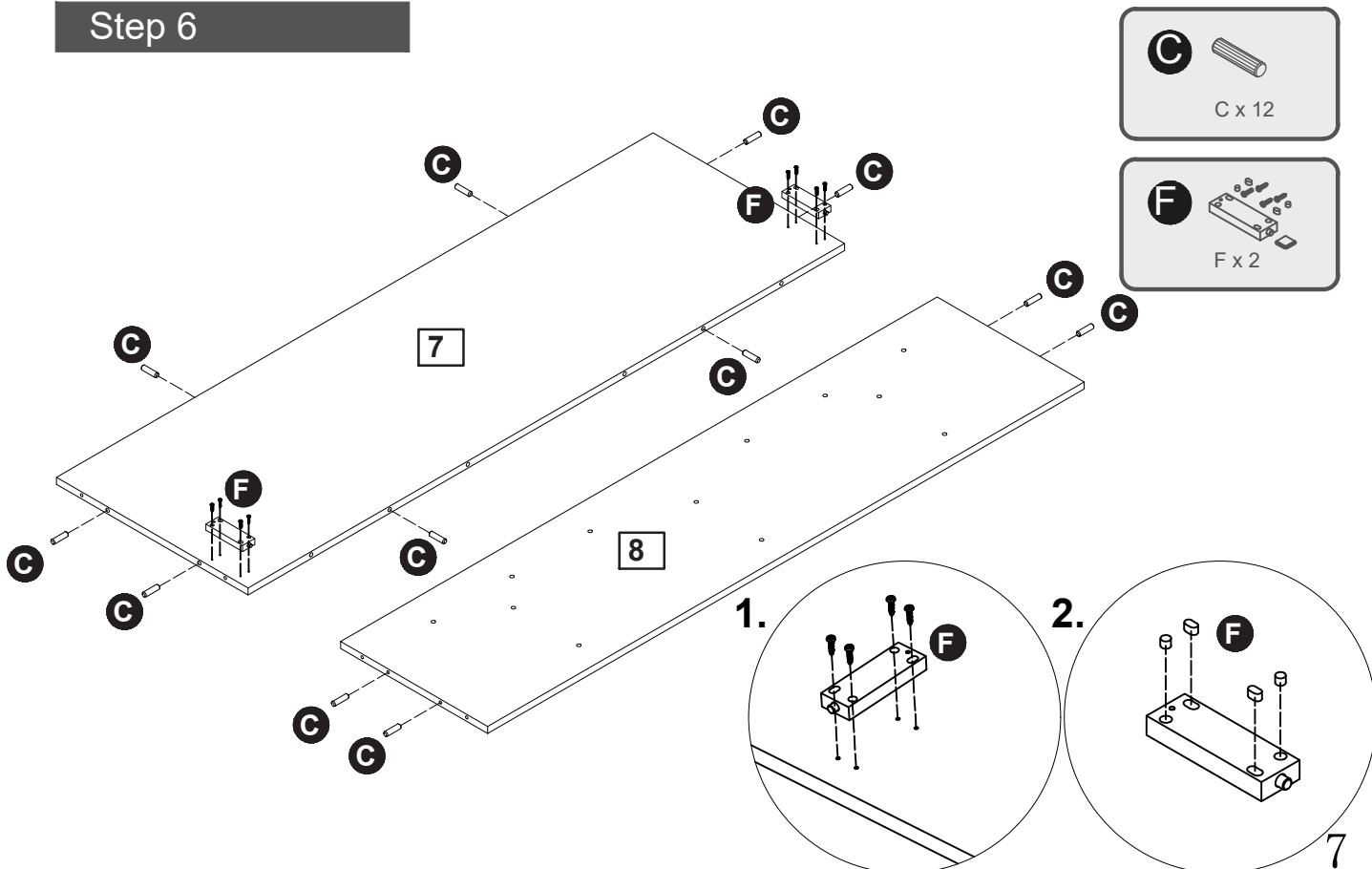


Assembly Instructions

Step 5

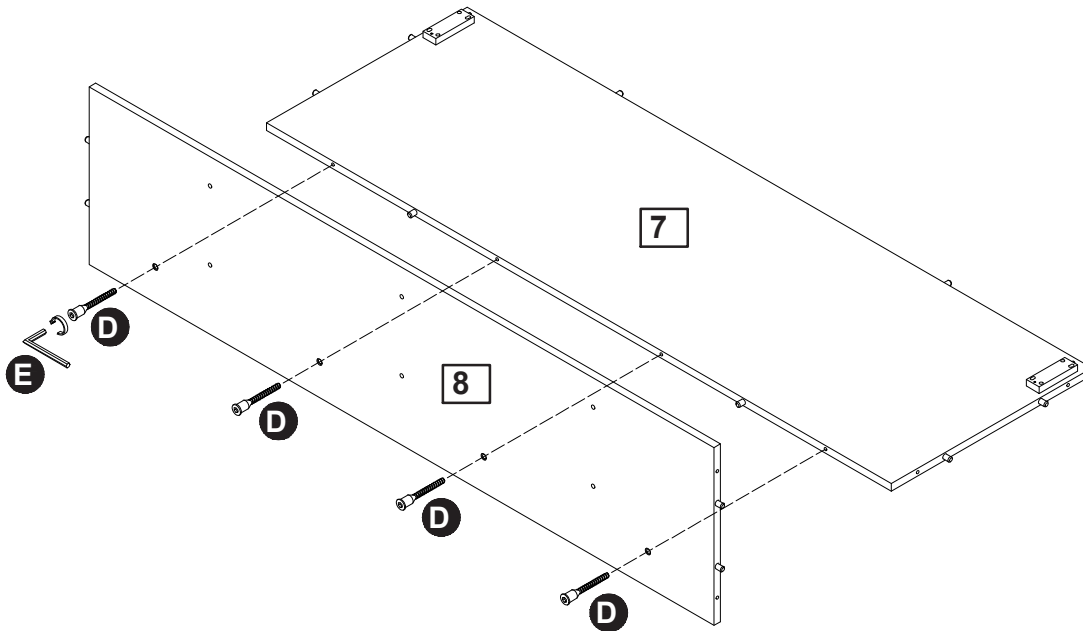


Step 6

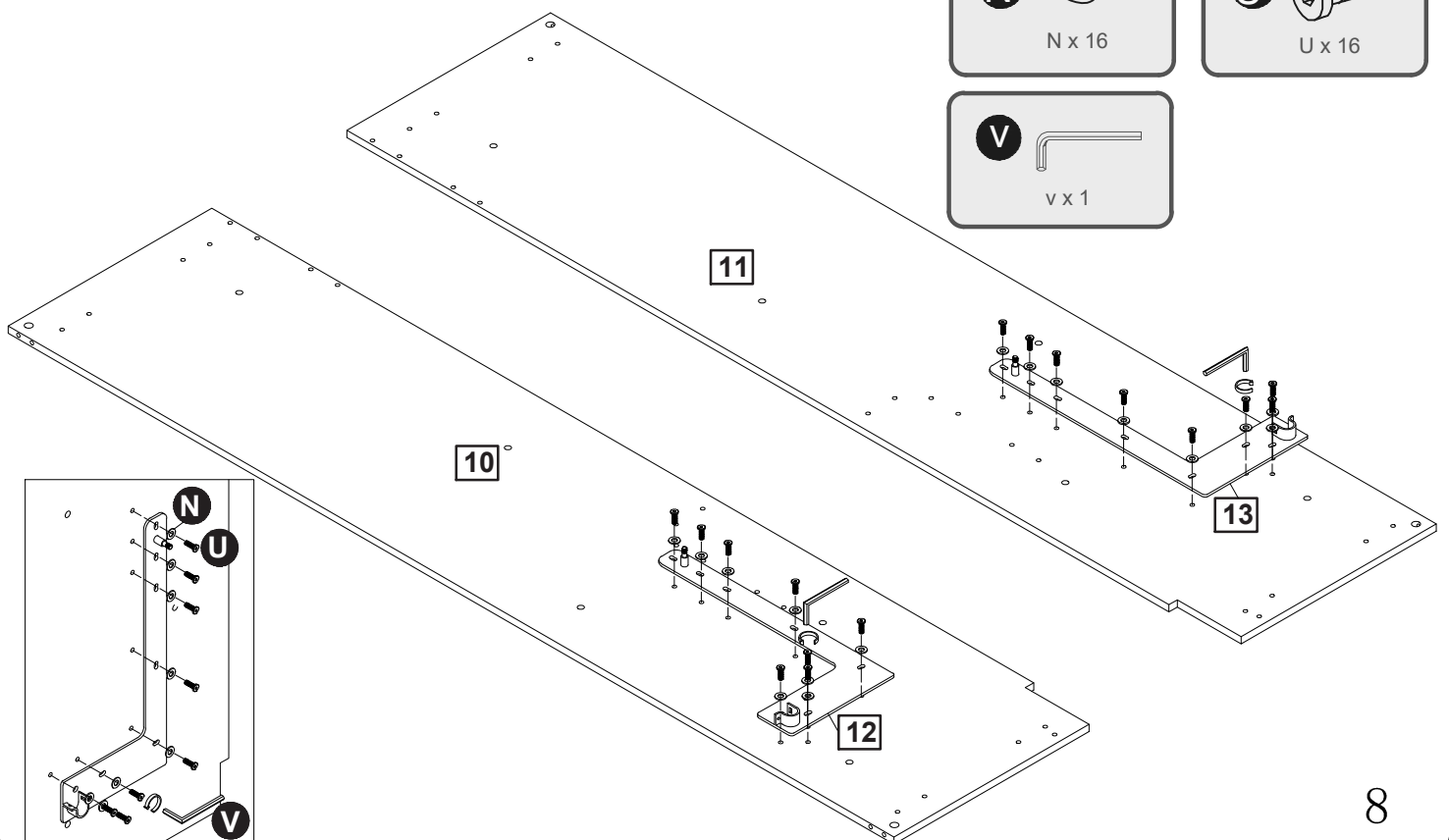
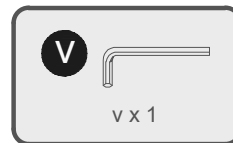


Assembly Instructions

Step 7

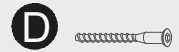
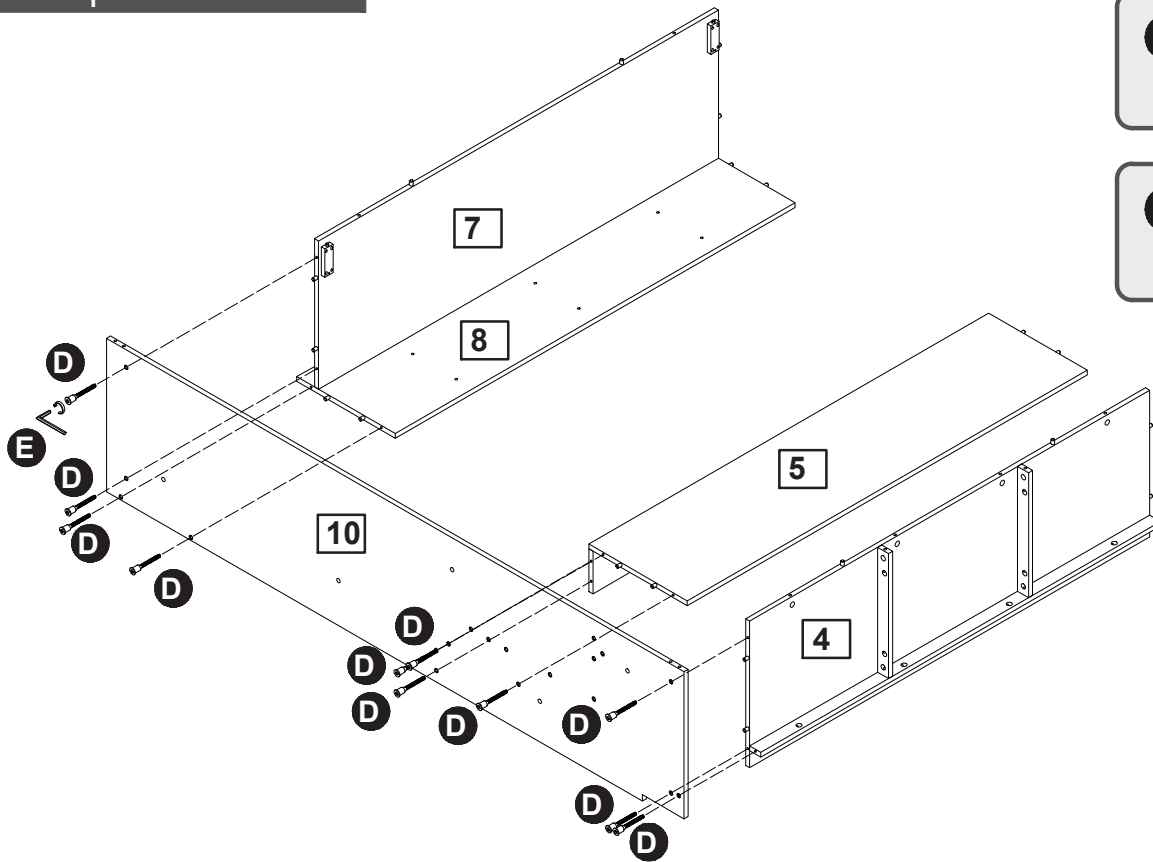


Step 8



Assembly Instructions

Step 9

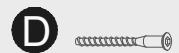
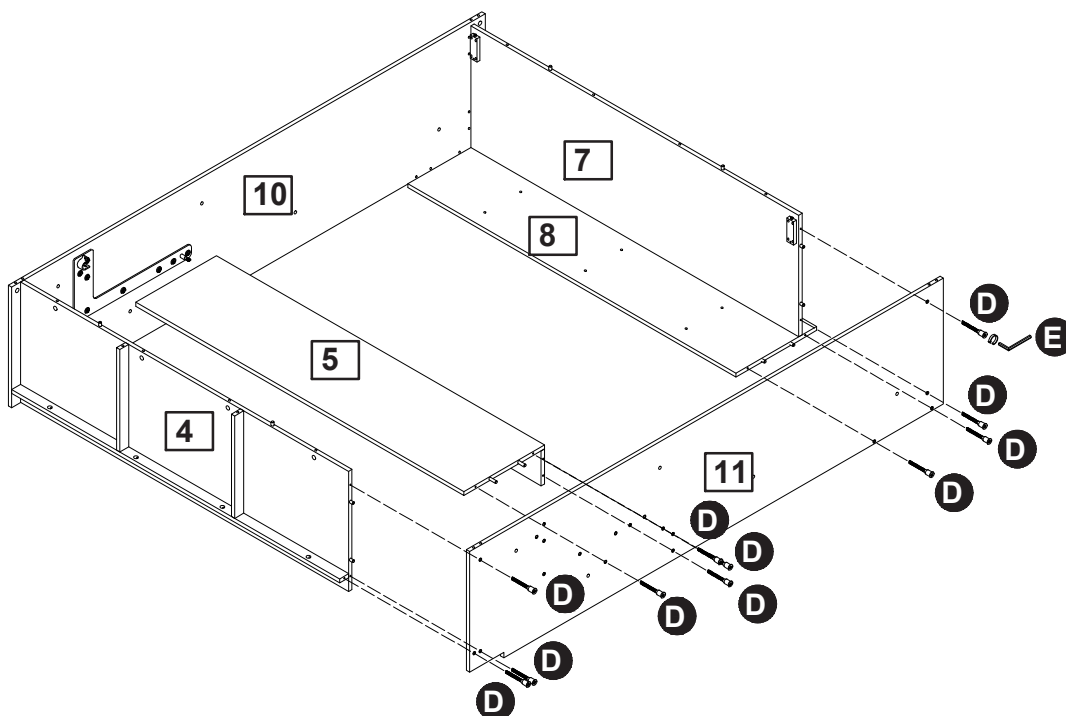


D x 11



E x 1

Step 10



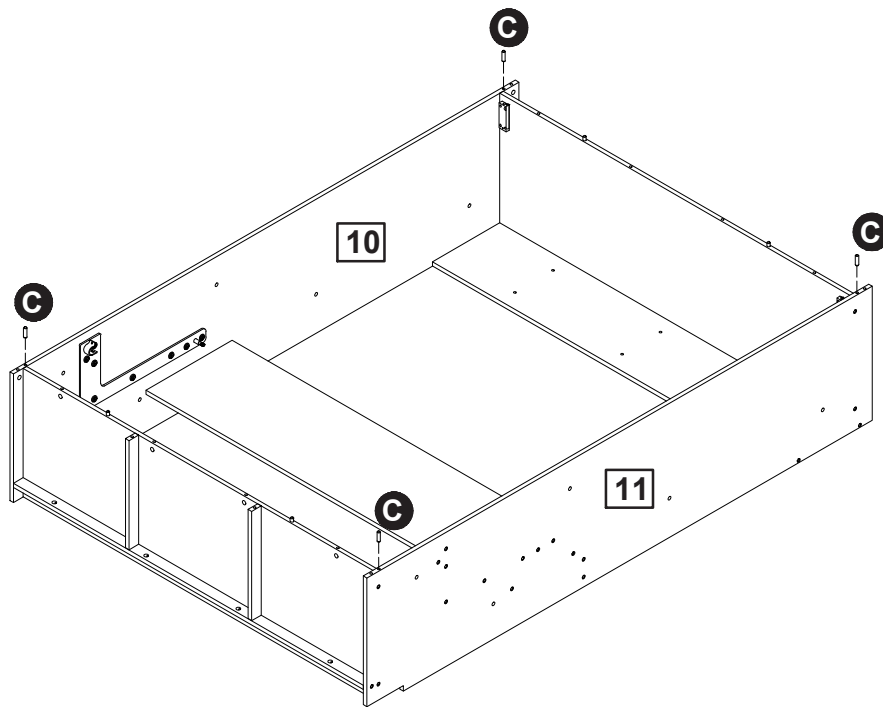
D x 11



E x 1

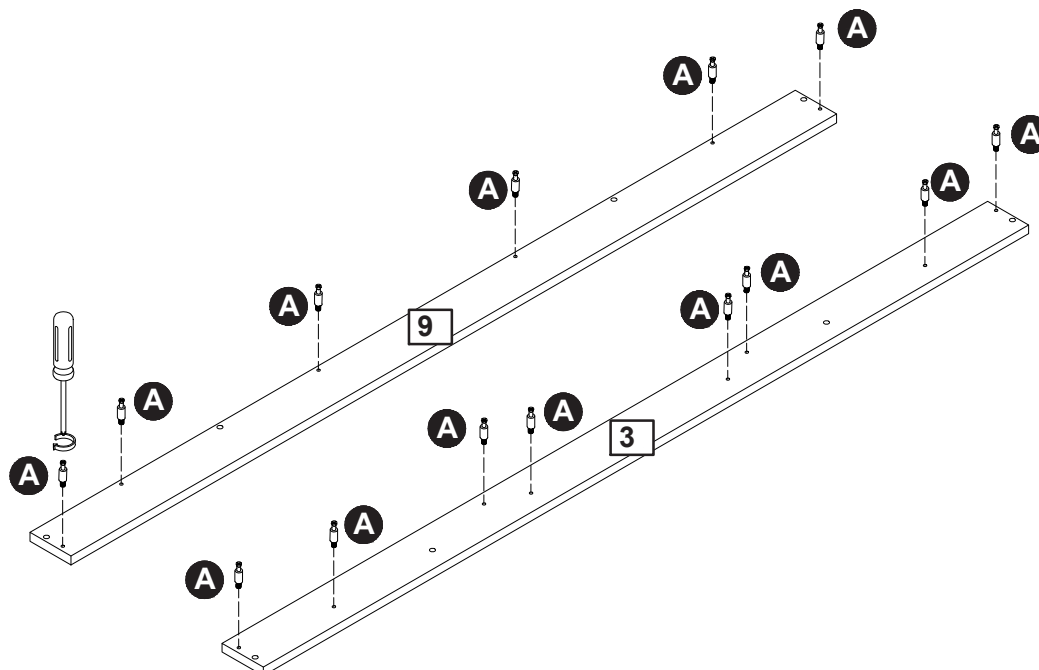
Assembly Instructions

Step 11



C x 4

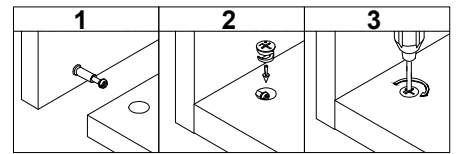
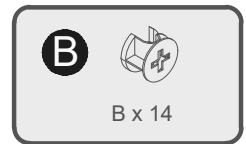
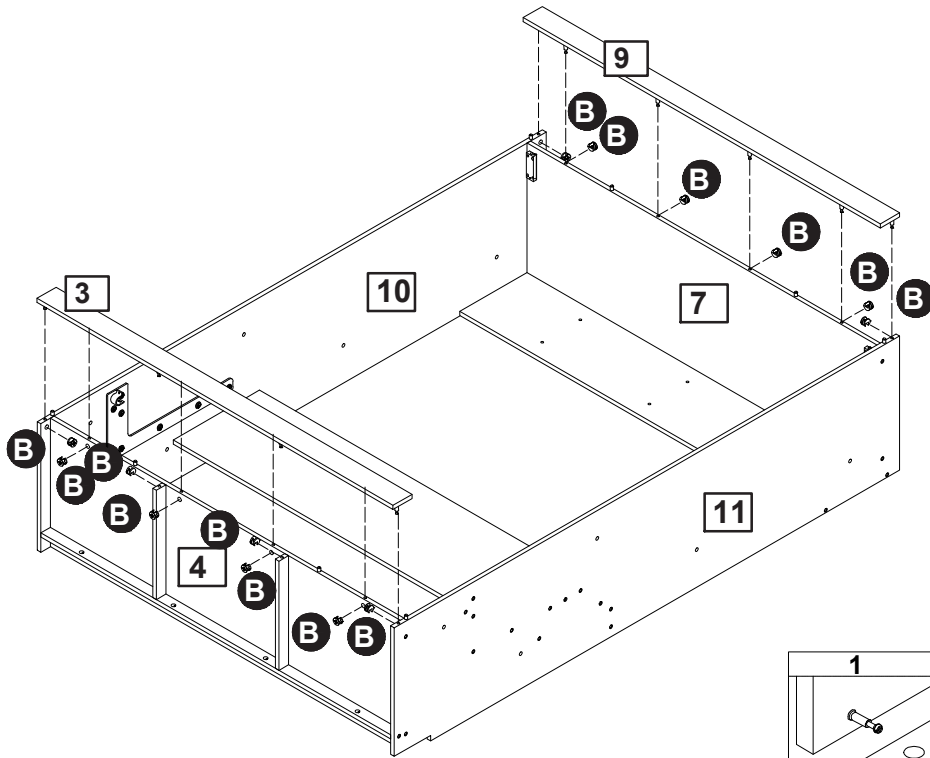
Step 12



A x 14

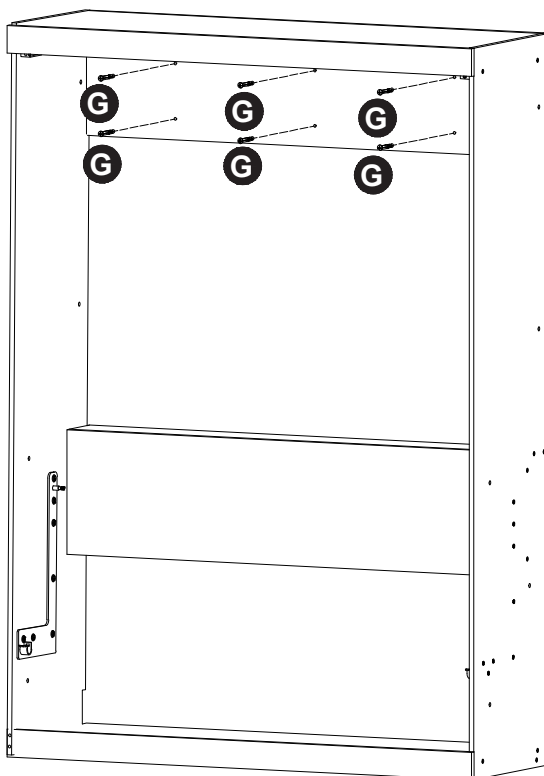
Assembly Instructions

Step 13



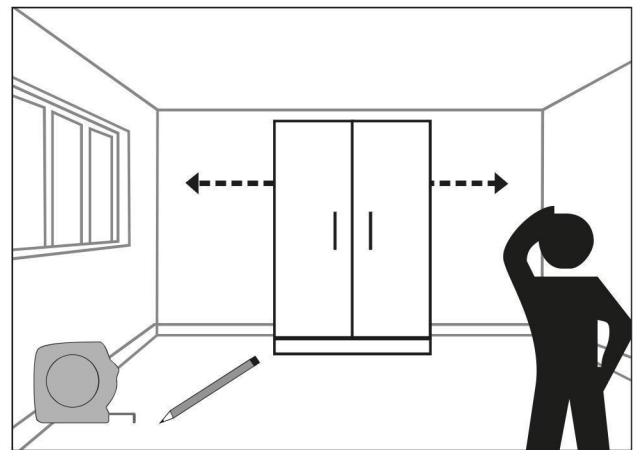
Step 14

WALL

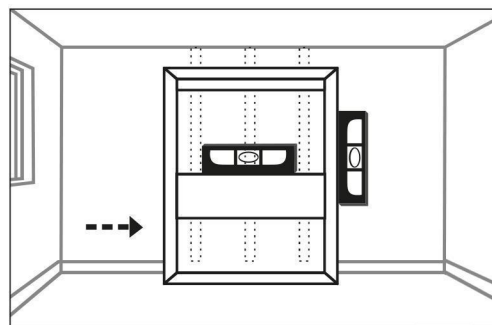


Three people are required to assemble and move this model.

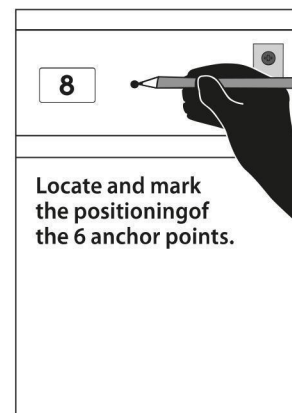
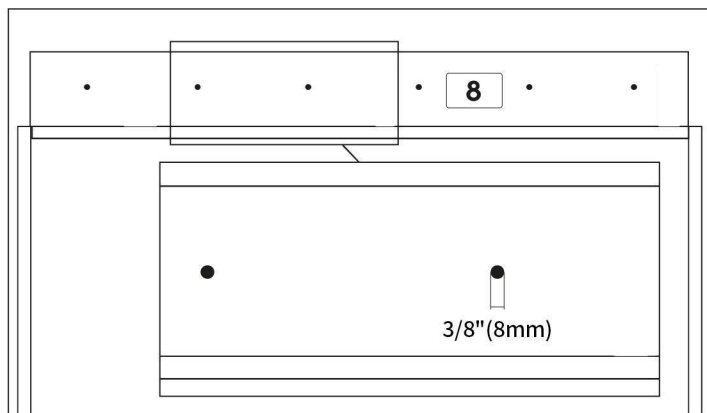
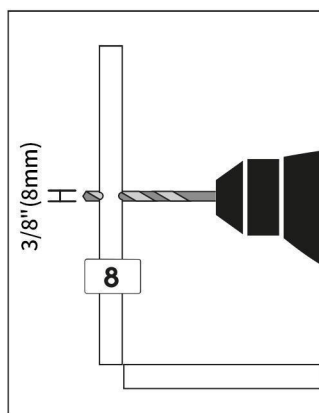
1 Determine the position of the bed in the room.



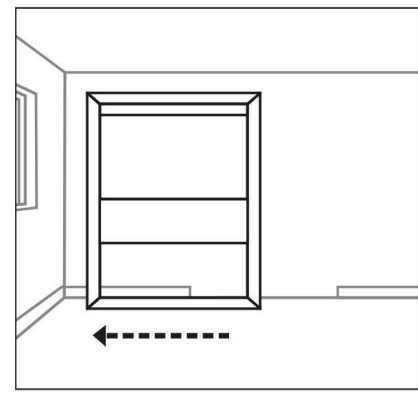
2 Put the bed back in its place. Please keep it vertical and horizontal



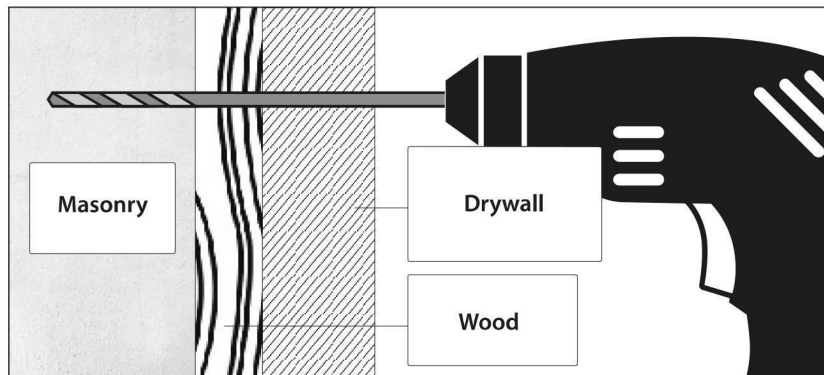
3 Pre-drill the piece of plywood #8 with 6 pilot holes of 3/8" (8 mm) diameter distributed horizontally in order to cover the width of the anchoring section. With the bed in position, mark the position of the 6 holes on the masonry wall.

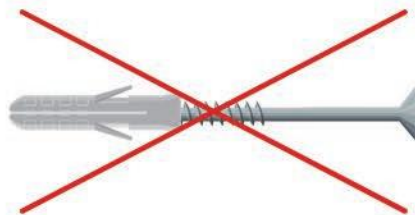


4 Move the bed again.



5 Using a 5/32" (10mm) diameter masonry bit, drill into the drywall and masonry (a hammer drill is required).





IMPORTANT WARNINGS

INSTALLATION AND APPROPRIATE HARDWARE

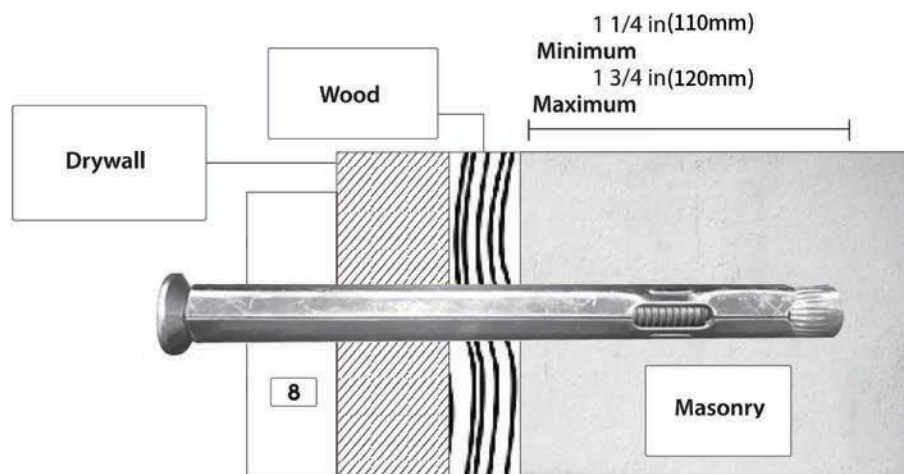
Using appropriate hardware, all the anchor screws of the wall bed must be firmly secured to the wood or metal studs, the structural components, or a masonry wall. **Only wall anchor screws for wood-frame walls are provided with this bed.**

NUMBER OF SCREWS NEEDED

You need a total of six (6) wall anchor screws.

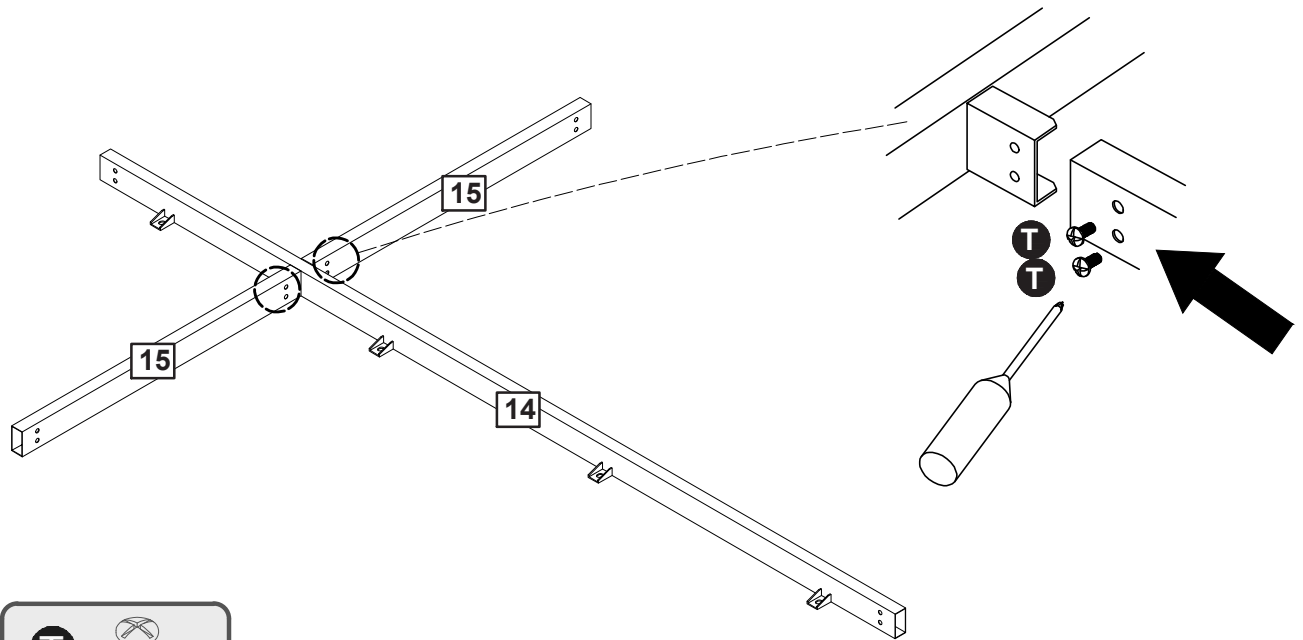
THE SCREWS MUST BE VERY WELL ANCHORED TO THE STRUCTURAL COMPONENTS OF THE WALL.

- 6** Put the bed back in its place. Put the **CONCRETE SCREWS 3/8" (10mm) diameter X APPROPRIATE LENGTH** into the holes of part #8 and screw the bed onto the masonry wall until tight against the wall. Screw must be at least **43/8" (110mm)** deep into masonry. **USE AN ELECTRIC SCREWDRIVER WITH AN ADJUSTABLE TENSION CLUTCH THAT HELPS PREVENT OVER-TIGHTENING AND STRIPPING.**



Assembly Instructions

Step 15

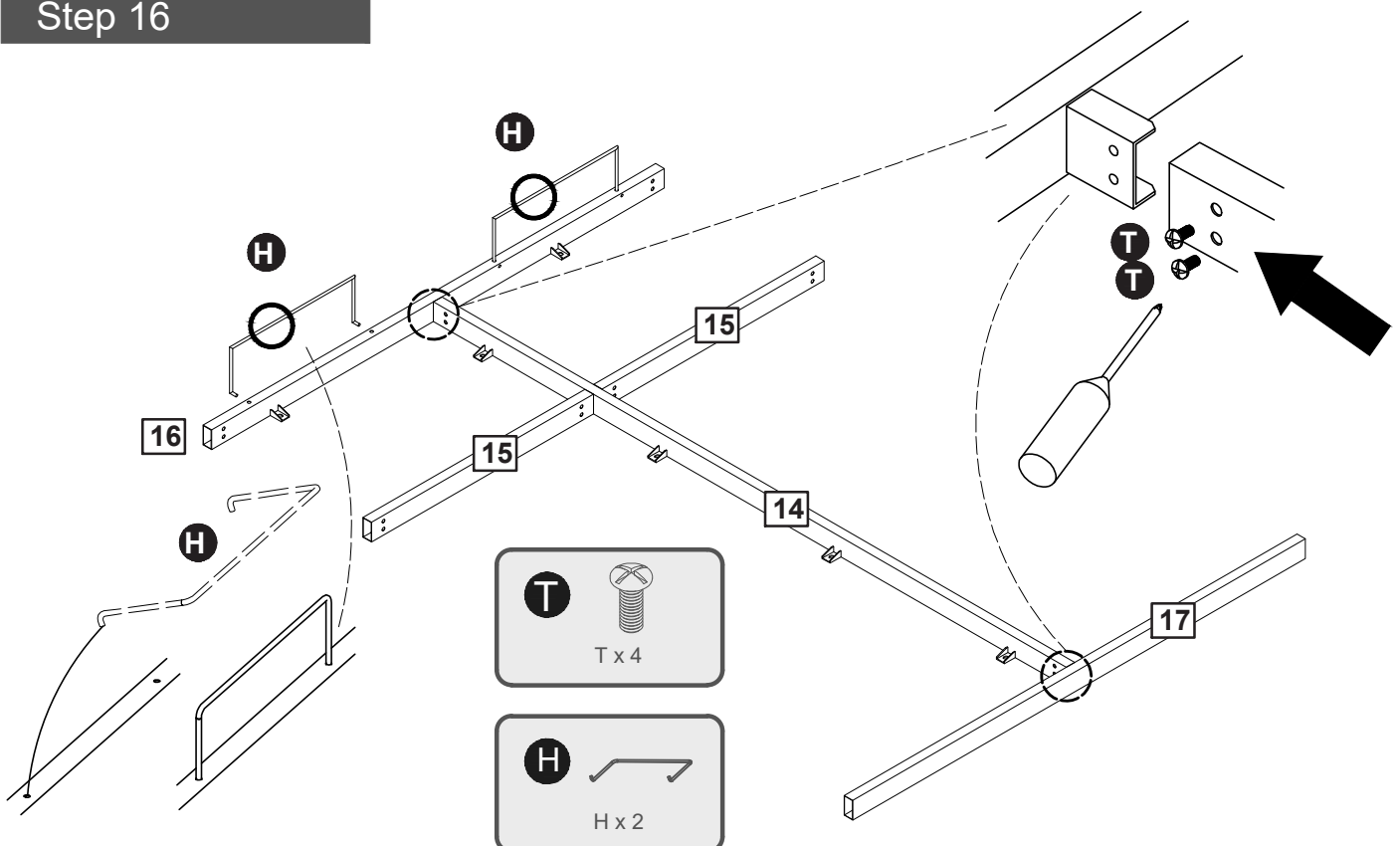


T



T x 4

Step 16



T



T x 4

H

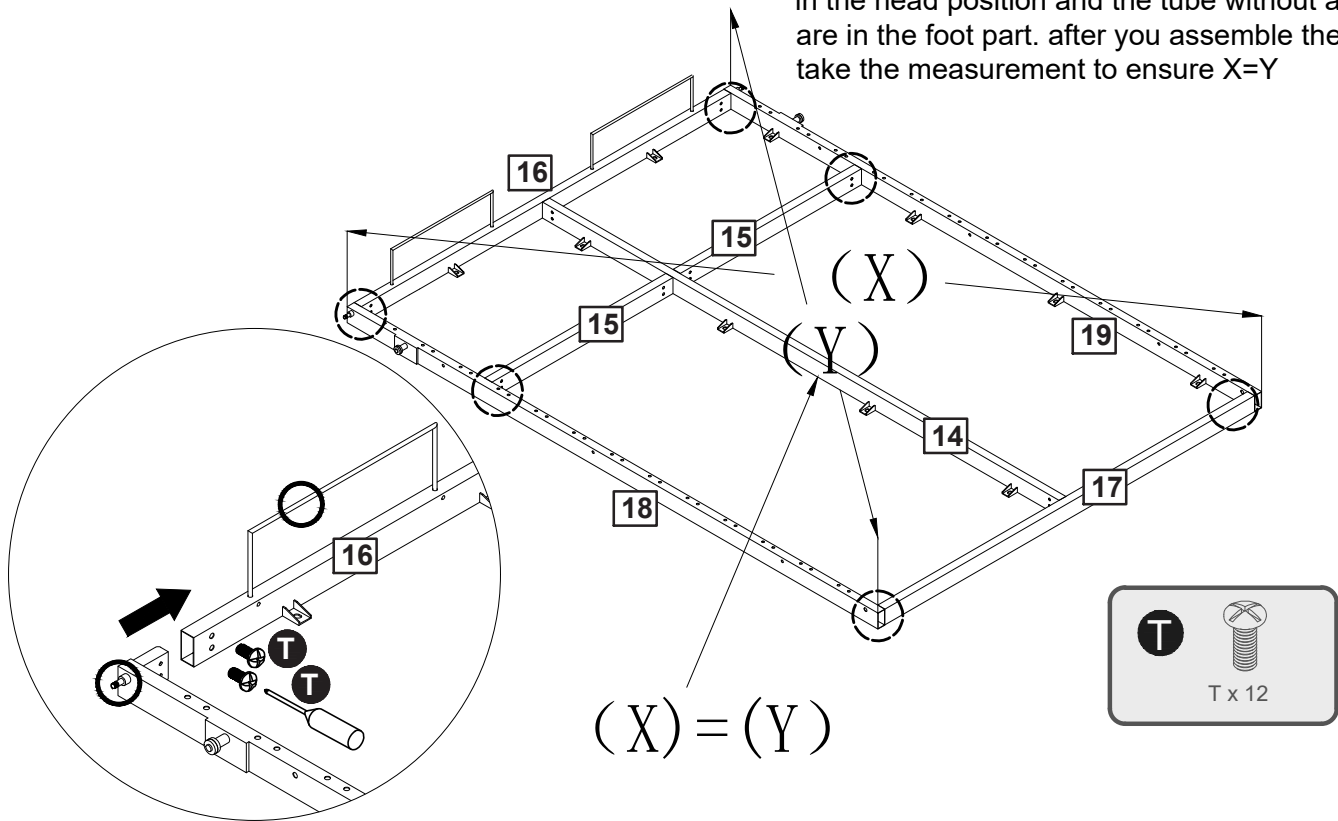


H x 2

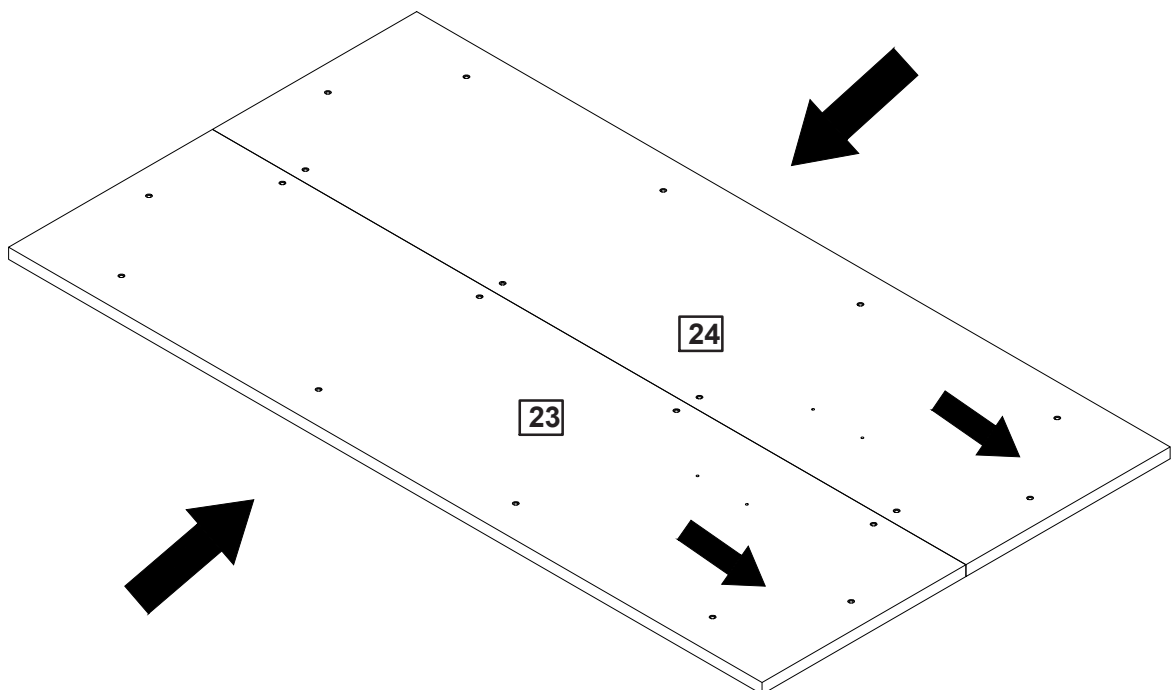
Assembly Instructions

Step 17

make sure the tube with mattress stopper holes is in the head position and the tube without any holes are in the foot part. after you assemble the frame, take the measurement to ensure $X=Y$

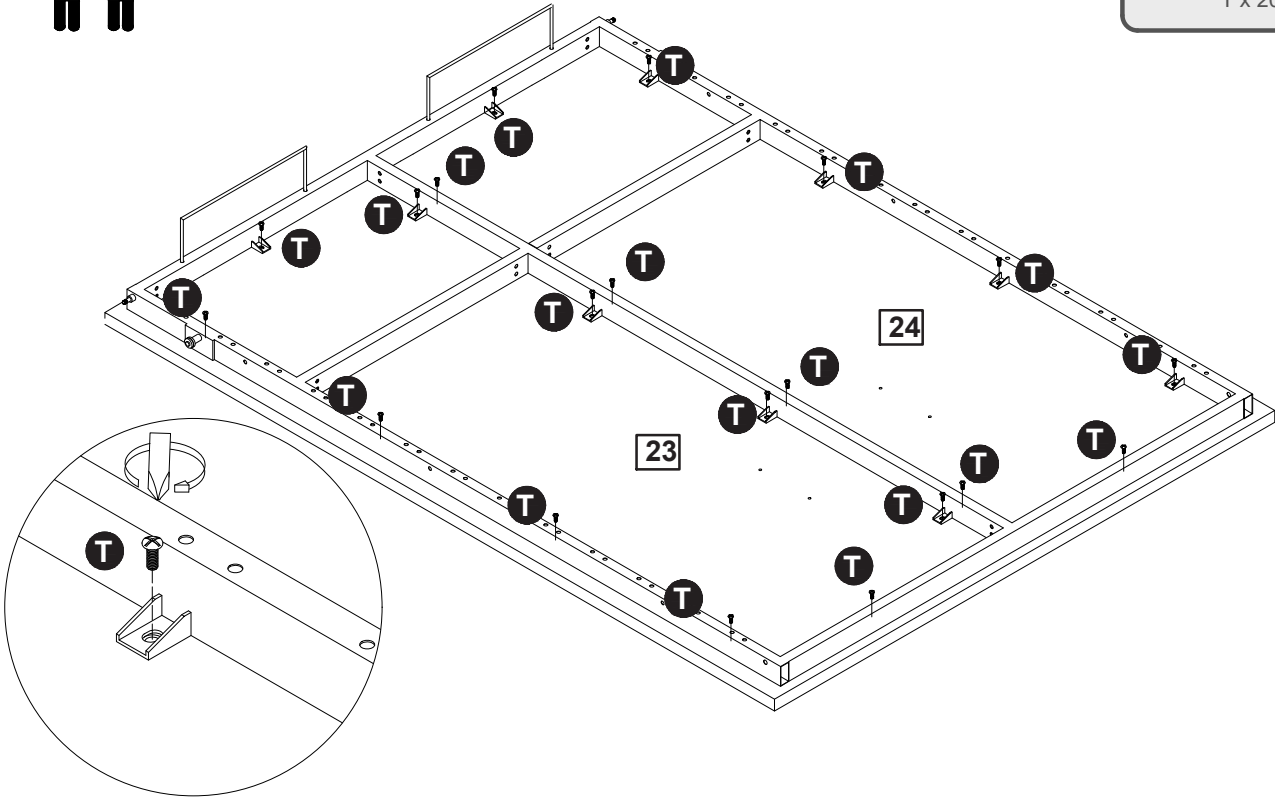
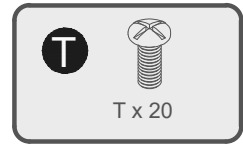


Step 18

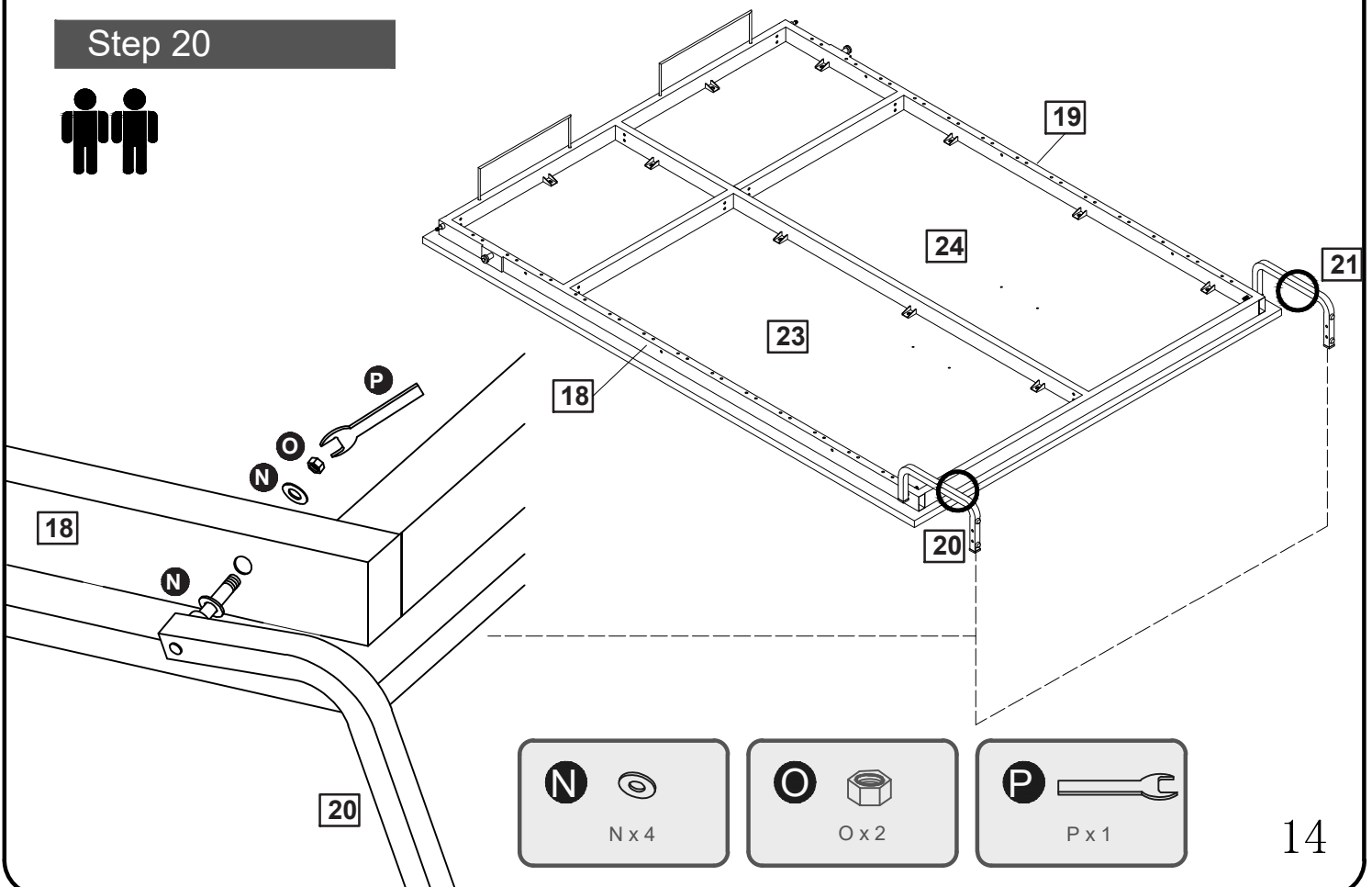


Assembly Instructions

Step 19

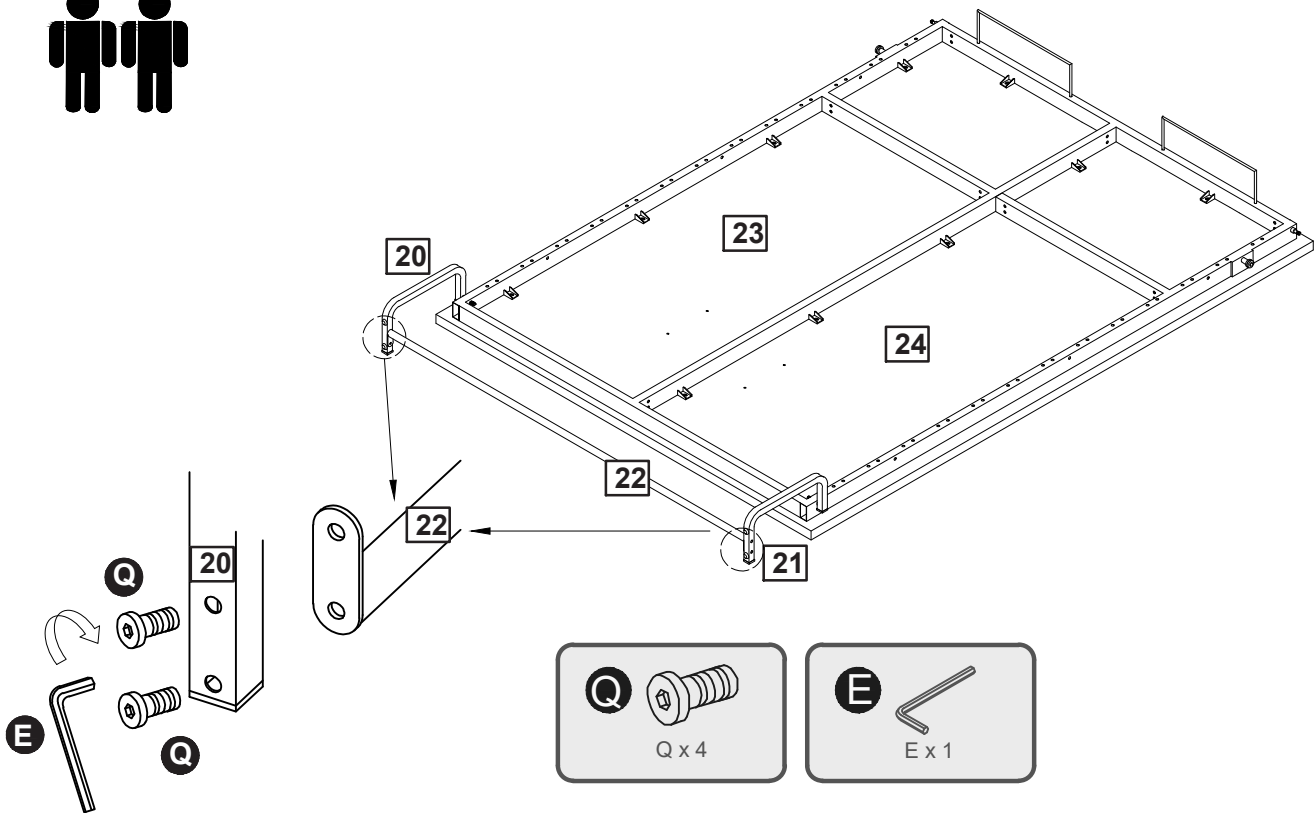
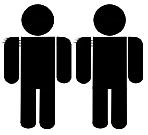


Step 20

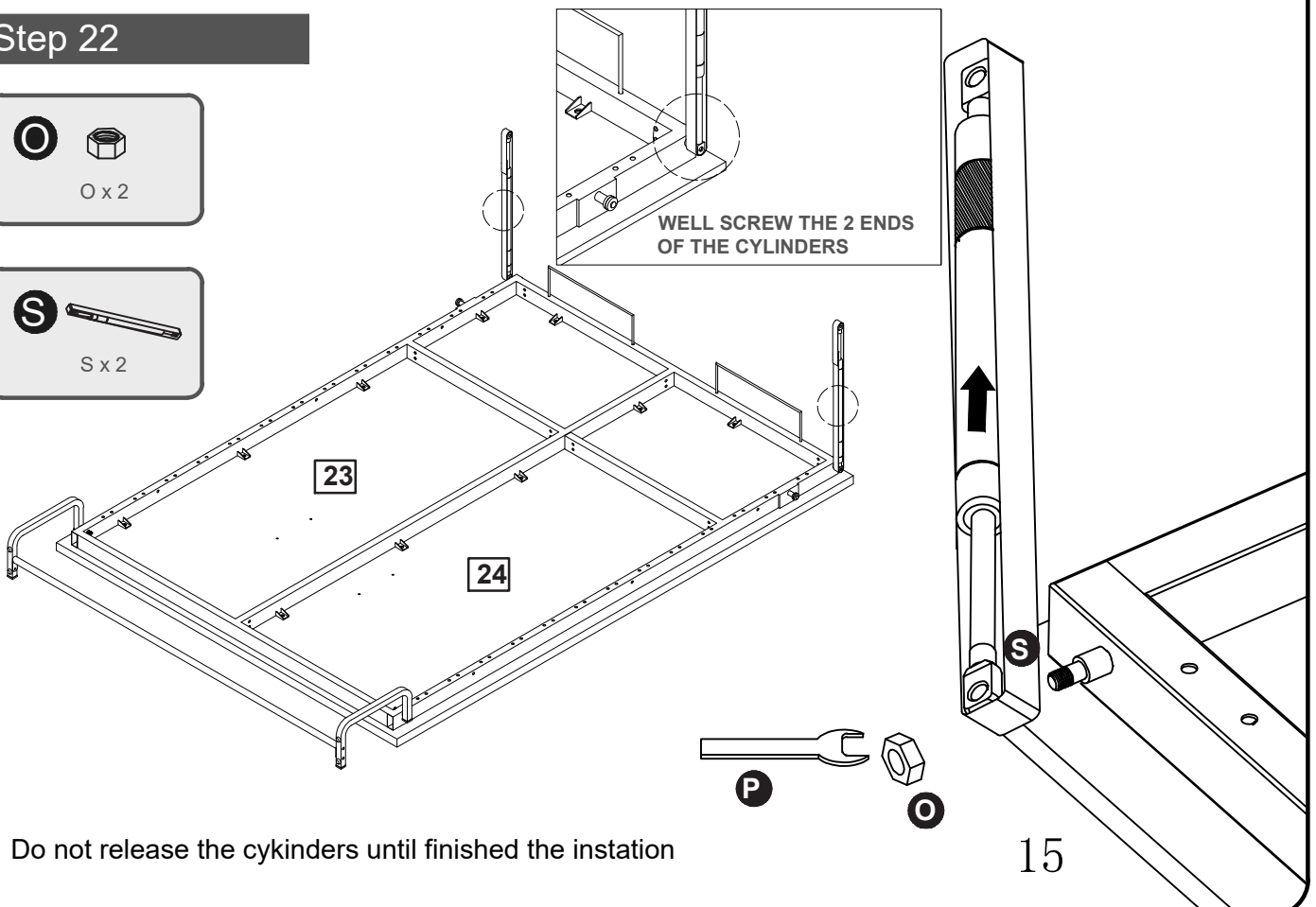
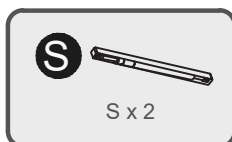


Assembly Instructions

Step 21



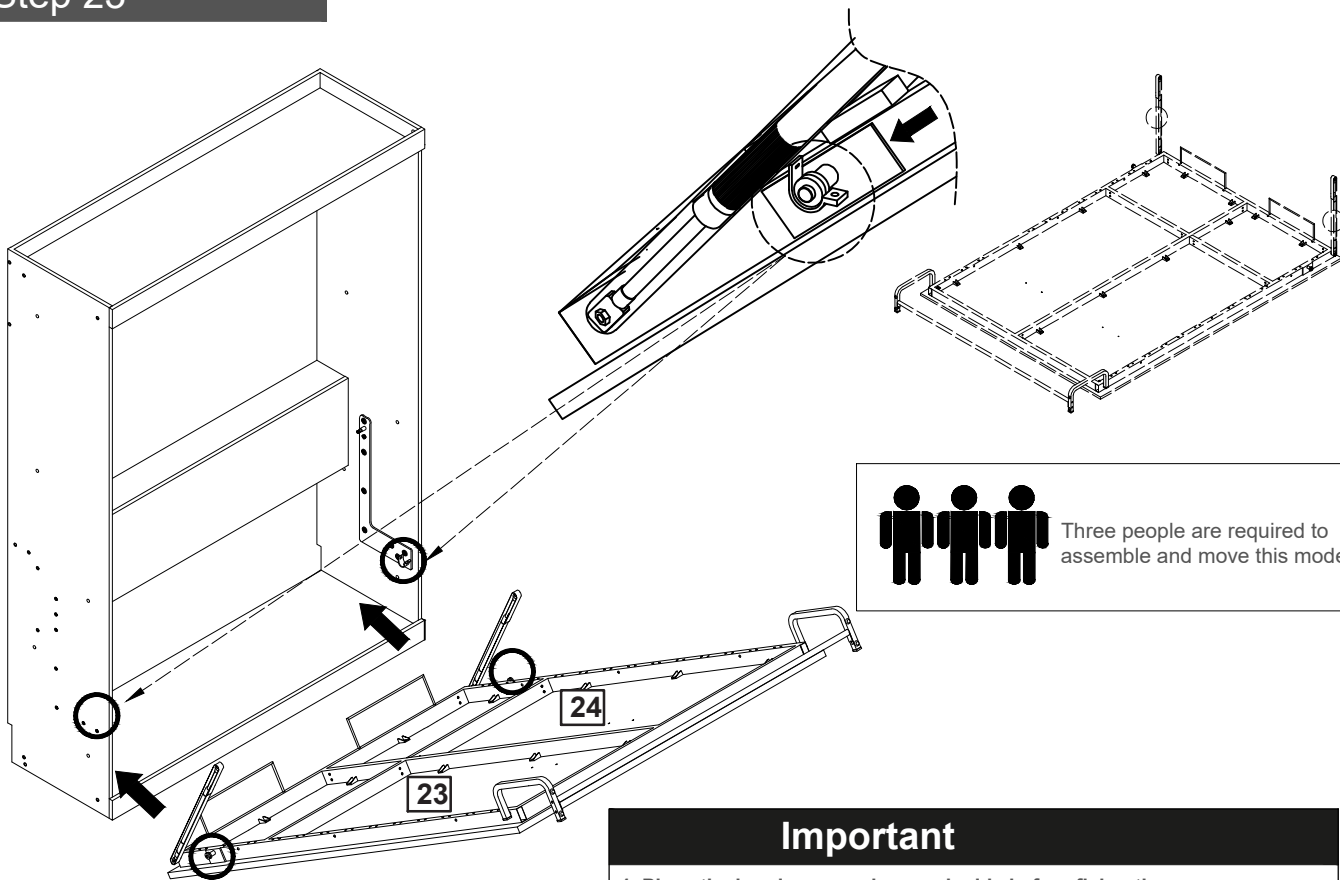
Step 22



Do not release the cylinders until finished the installation

Assembly Instructions

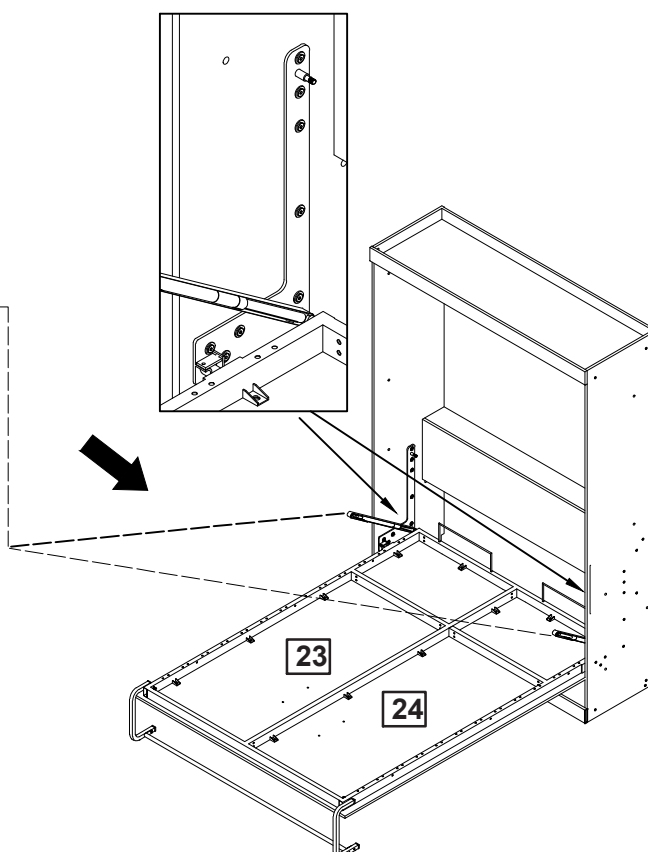
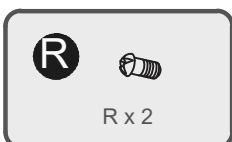
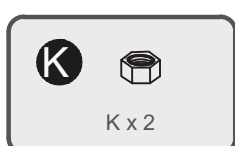
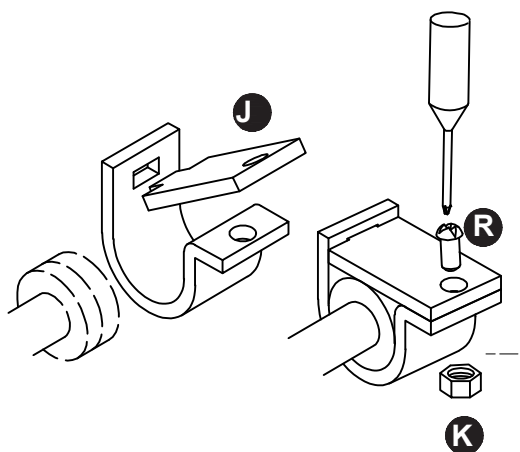
Step 23



Three people are required to assemble and move this model.

Important

1. Place the bearings equal on each side before fixing them up.
2. Well positioning the bearing support in such a way as to lock.
3. Tighten strongly the bearing support.

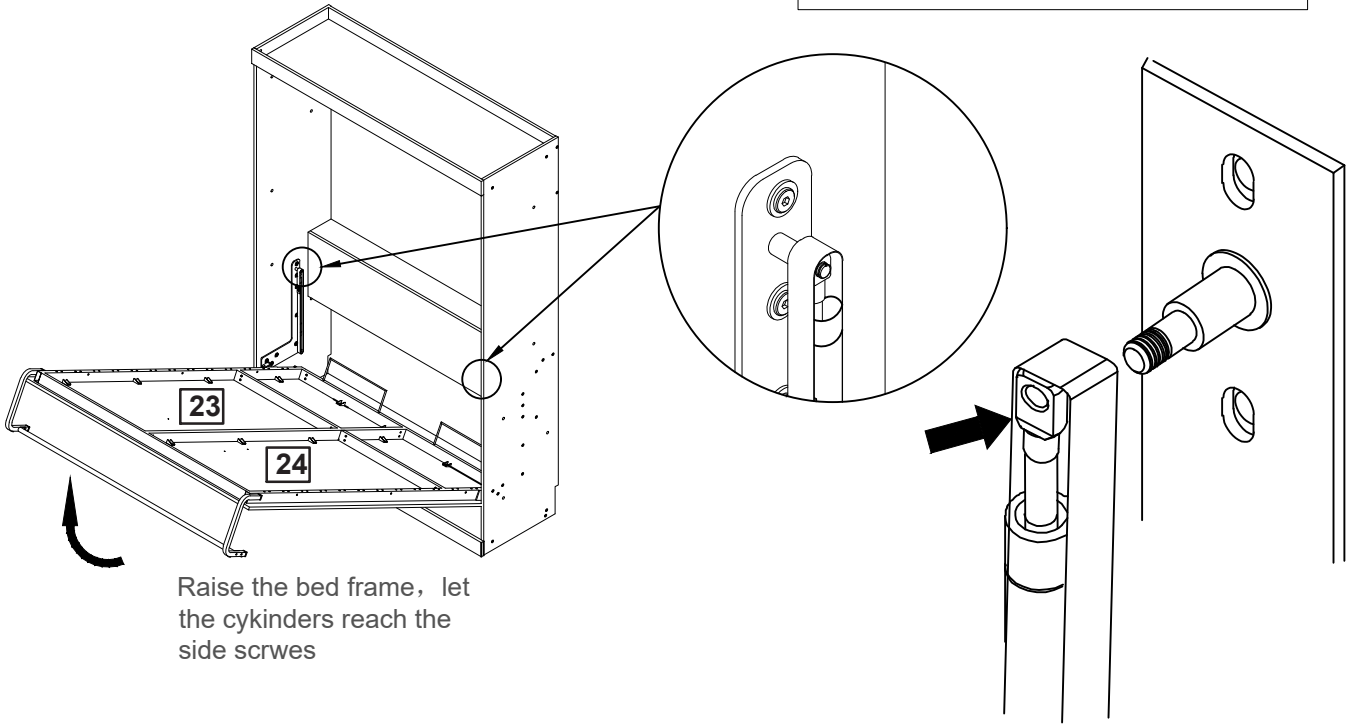


Assembly Instructions

Step 24

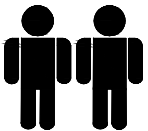


Three people are required to assemble and move this model.



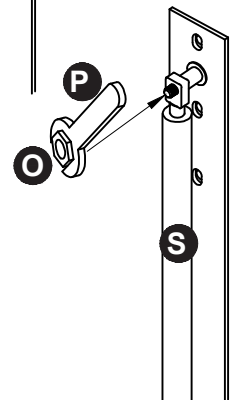
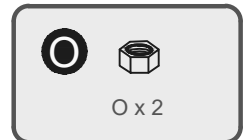
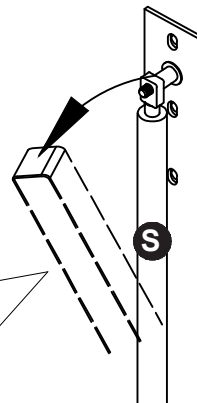
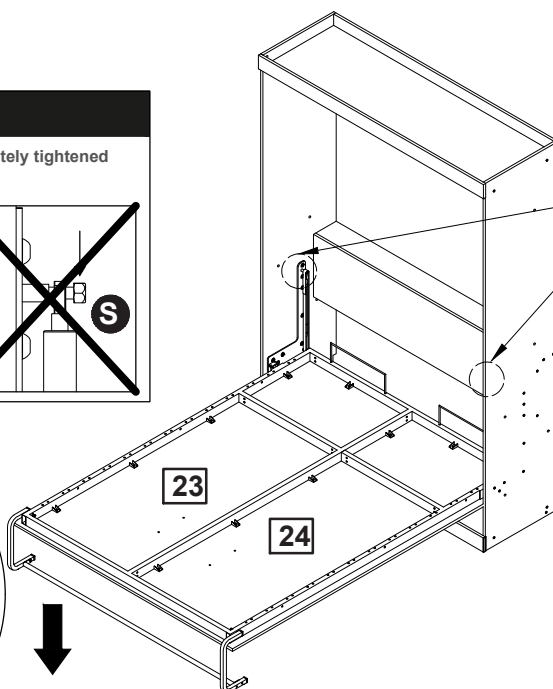
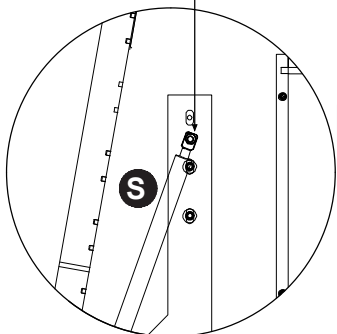
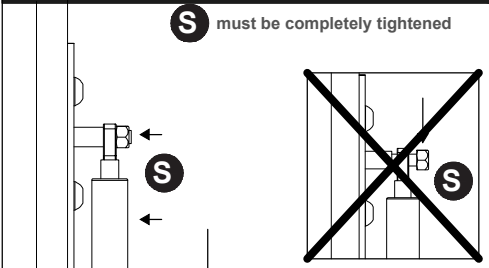
Raise the bed frame, let the cykinders reach the side screws

Step 25



INSERT CYLINDER ON ITS STEM

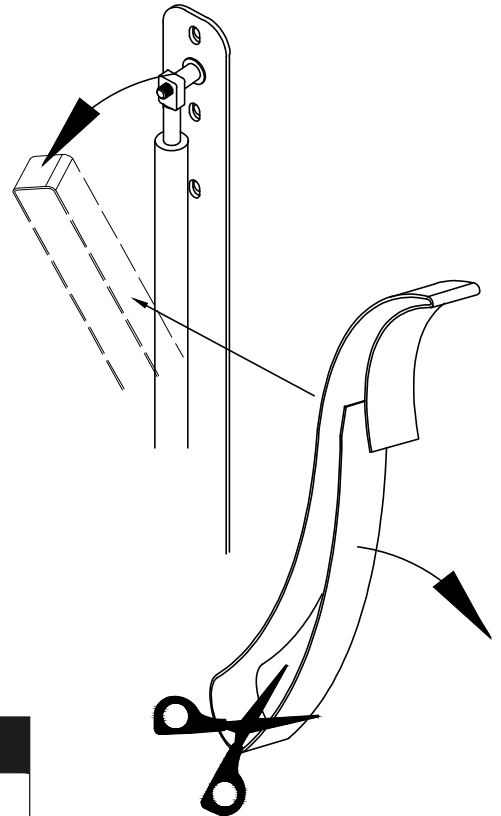
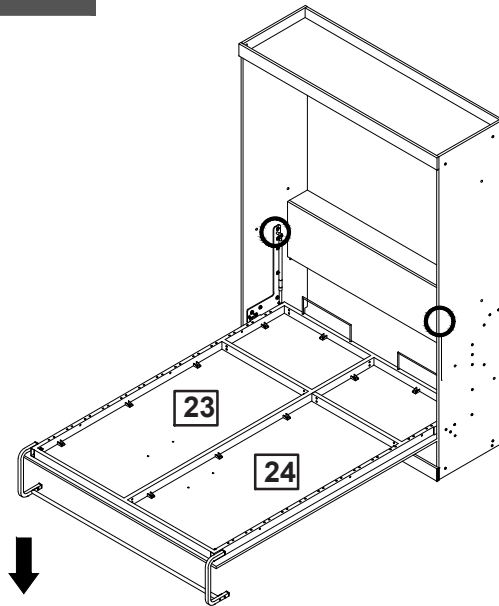
S must be completely tightened



Put the bed frame down, the fixed cykinder metal will take off automatically

Assembly Instructions

Step 26

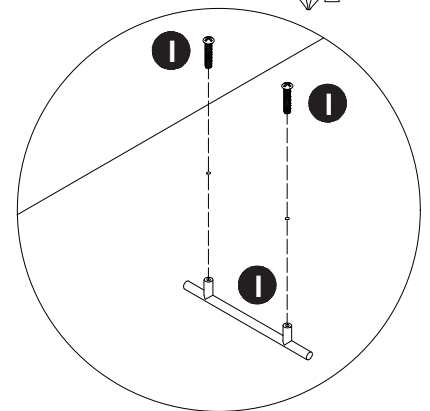
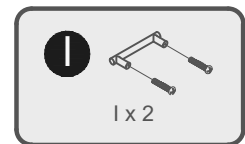
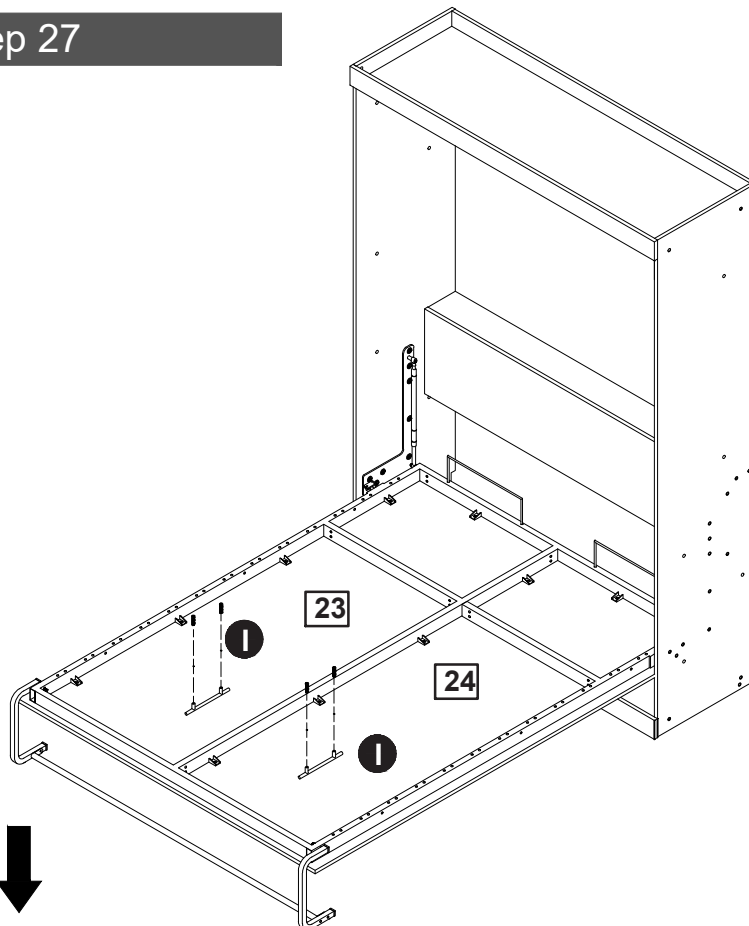


Important

The fixed cylinder metal could cut off with scissors

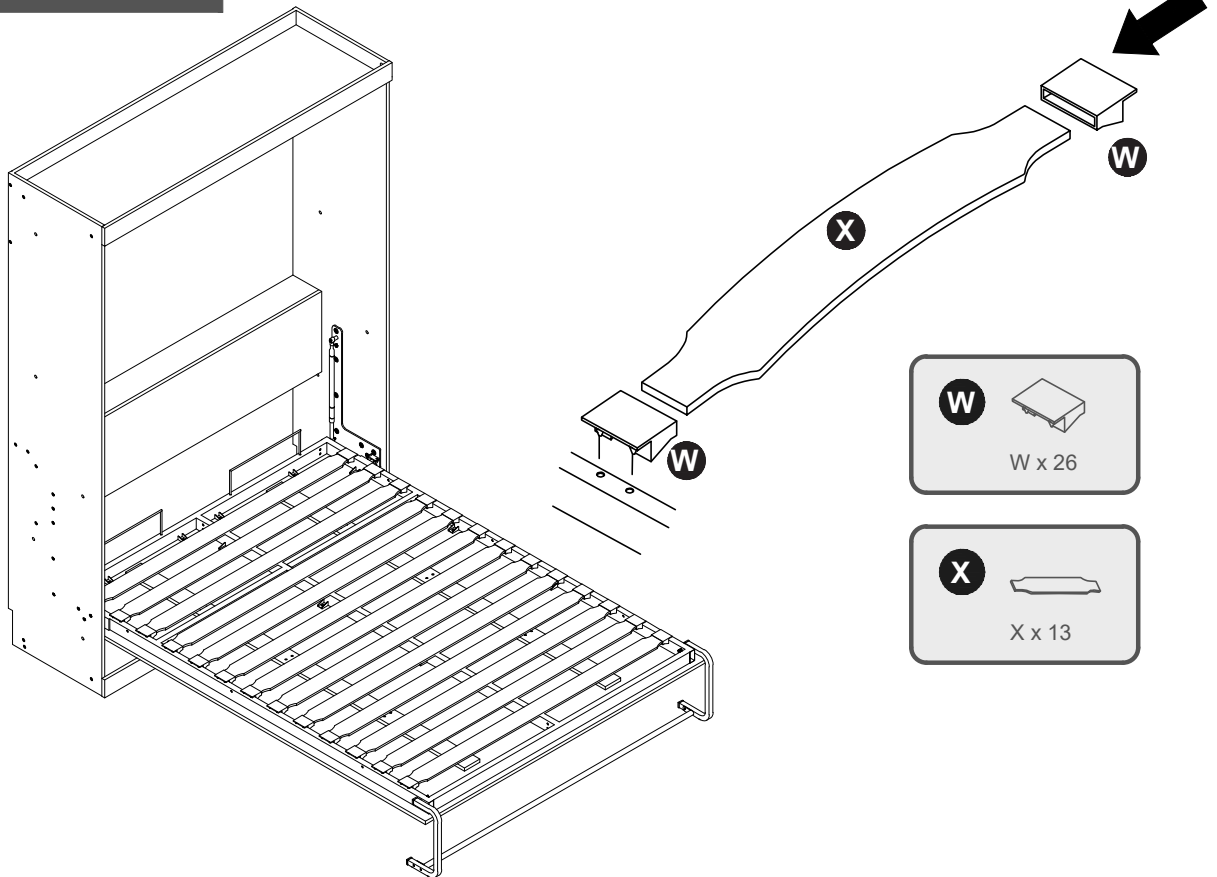
Take note that after the installation of the pistons, it will be very difficult to open the bed. Continue the steps until the end, put the mattress on, and the bed will open without effort.

Step 27

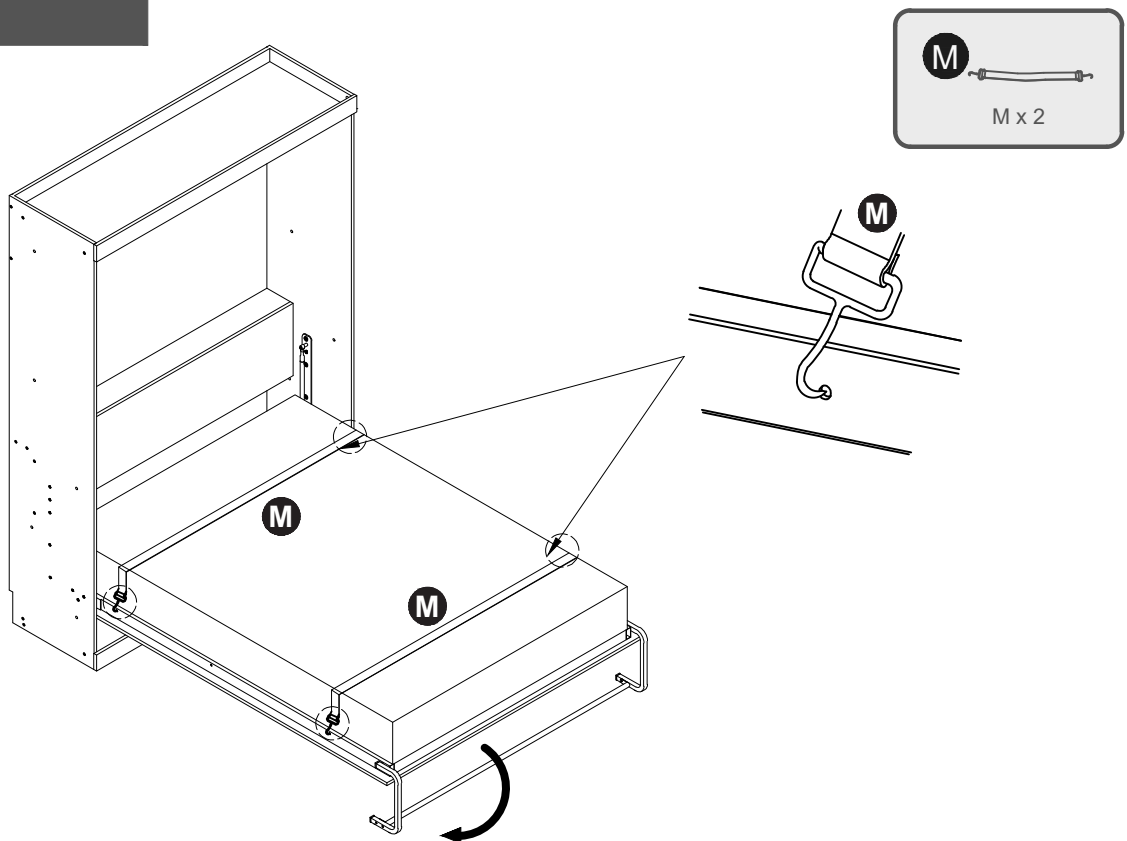


Assembly Instructions

Step 28



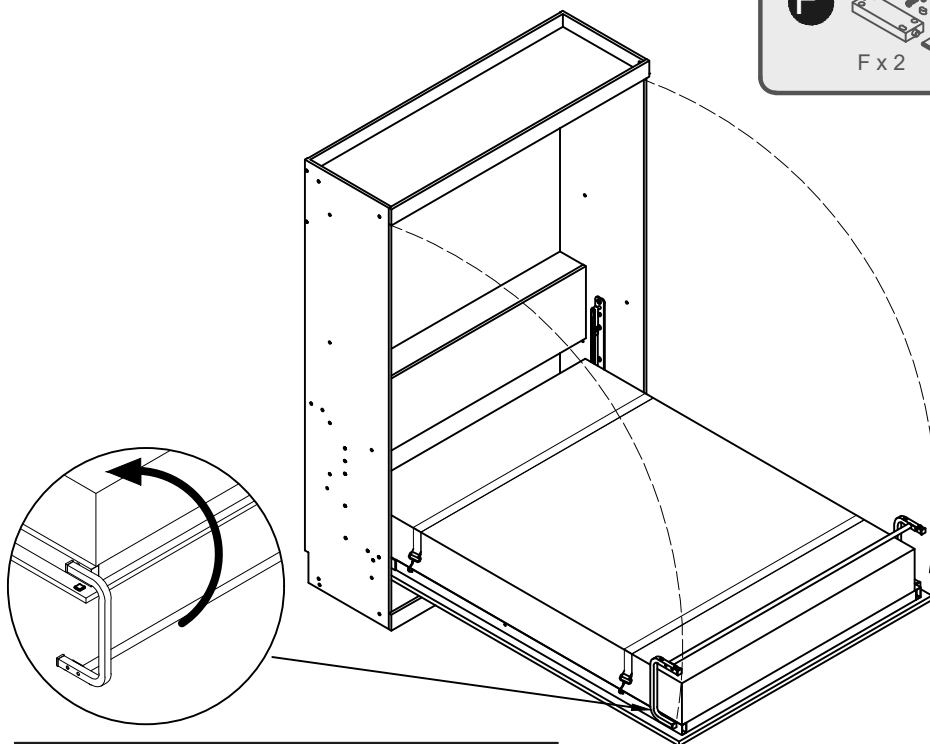
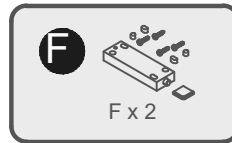
Step 29



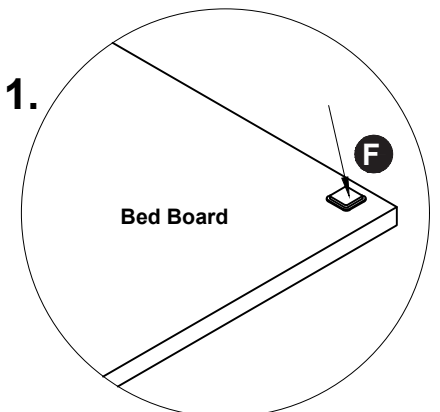
Please open the leg before completely lower the bed.

Assembly Instructions

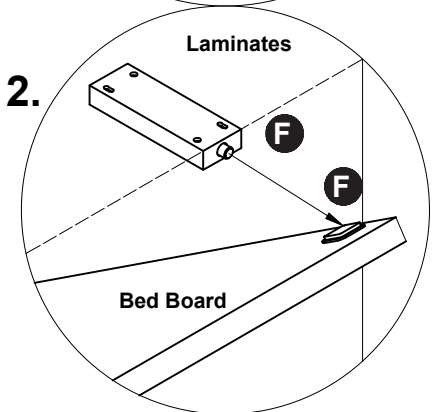
Step 30



1.



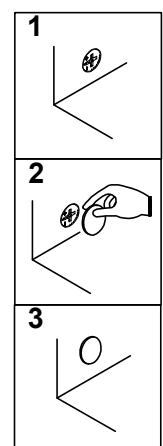
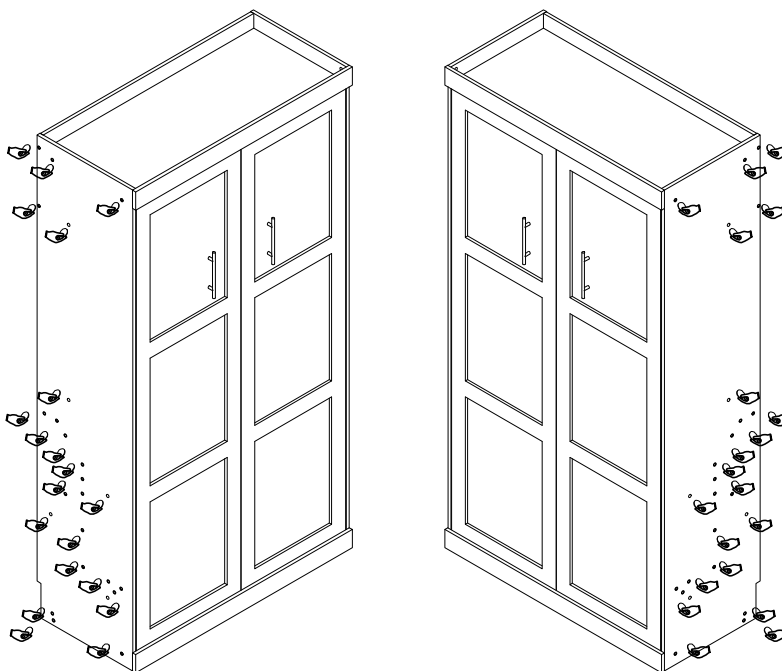
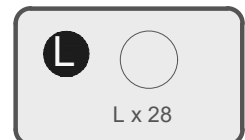
2.



Important

Rotate the leg towards the interior when close the door

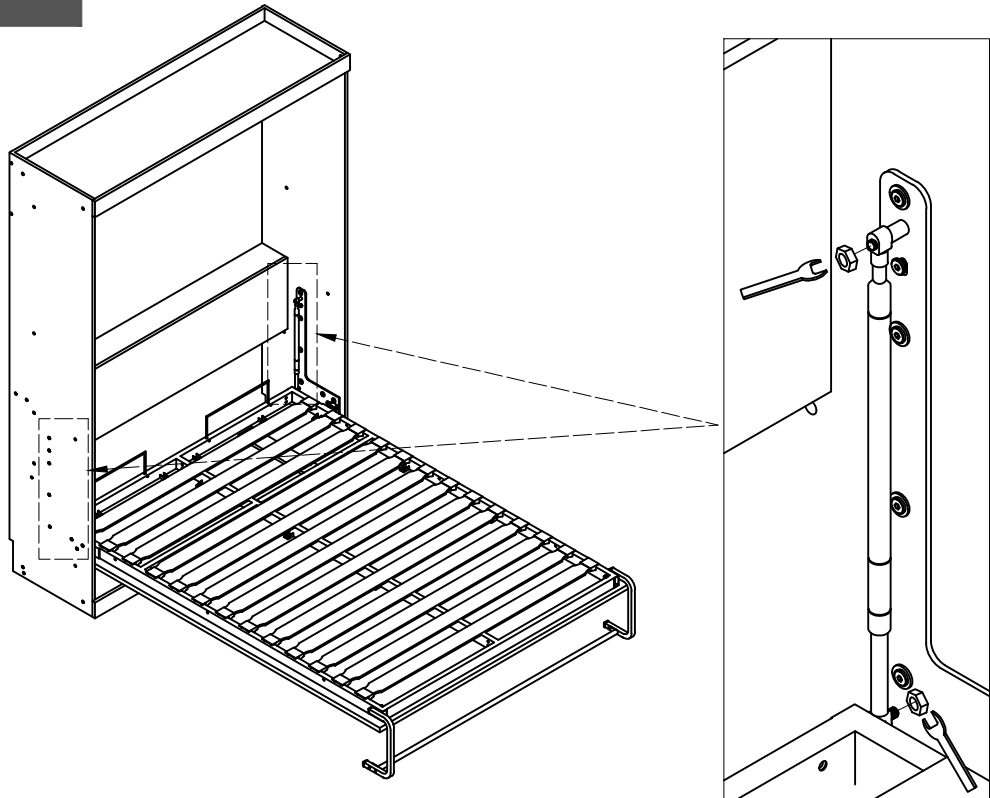
Step 31



Assembly is complete.

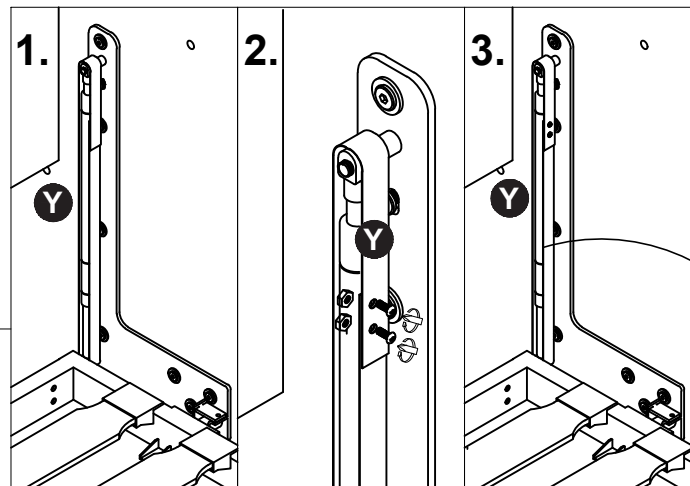
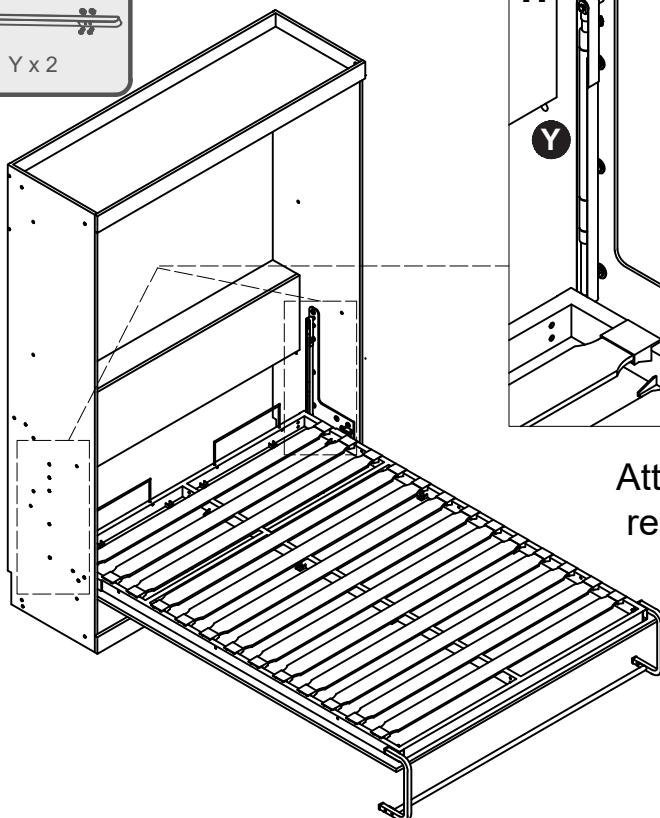
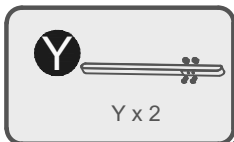
Use cykinder metal(Z) to remove cykinders

Step 1



1. Customer could use Z to remove cykinders when the bed need to be moved or uninstalled
2. Loosen the screw of the cykinders

Step 2



Attention! The cykinders can not be removed until (Z) has been installed