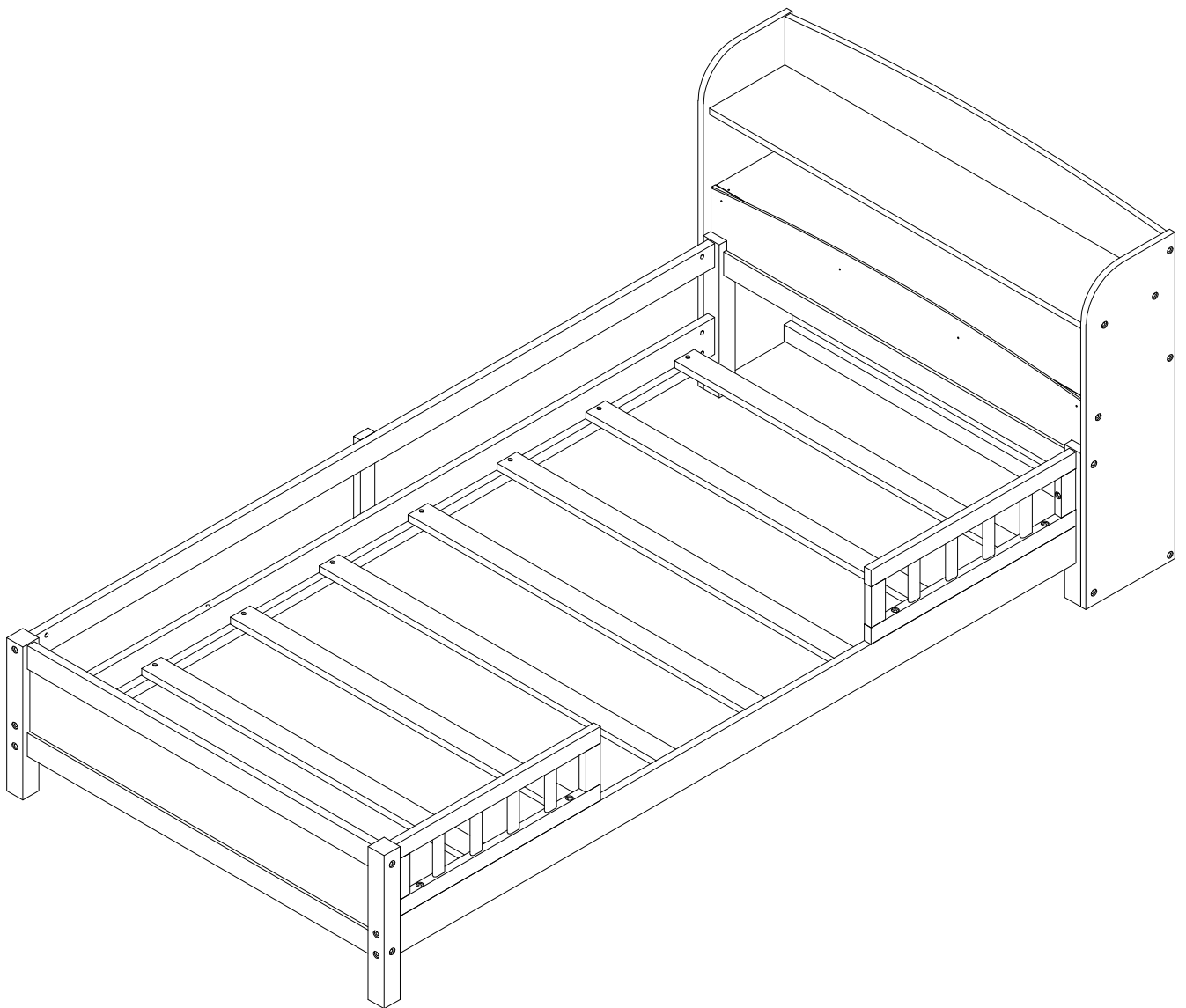


ASSEMBLY INSTRUCTION

SKU CODE: (WF308150)



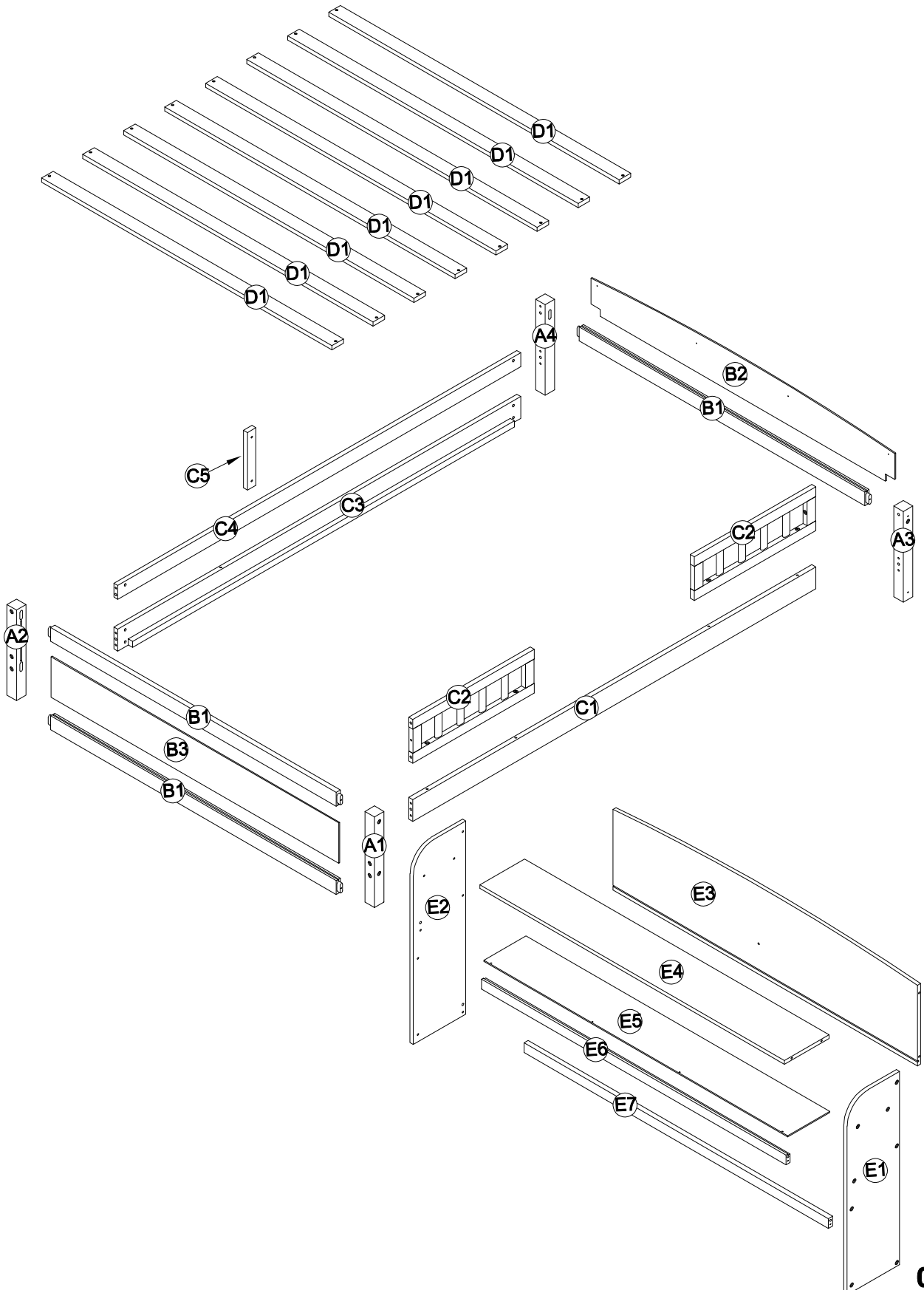
! SAFETY WARNINGS !

1. This bed is designed for use only mattress (es) meeting the following specifications on the upper bunk, and lower bunk




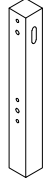

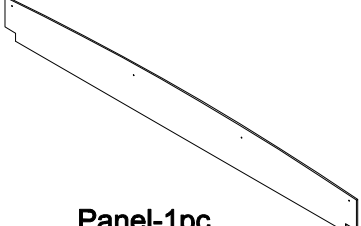
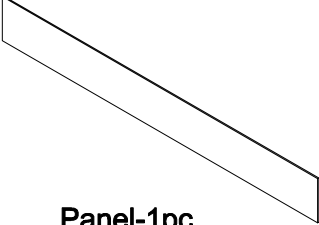
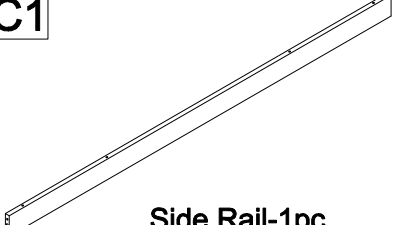
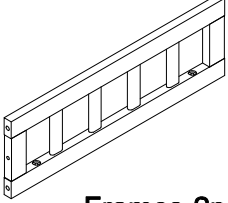
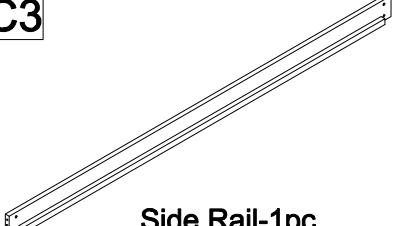
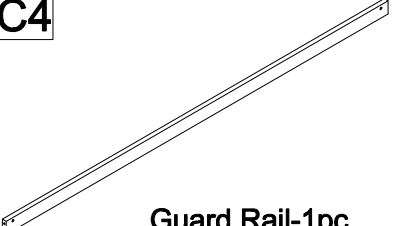

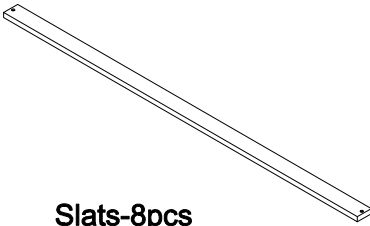
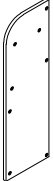

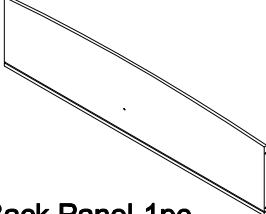
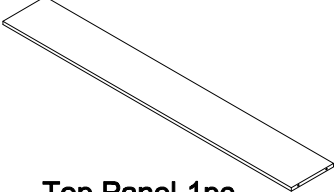
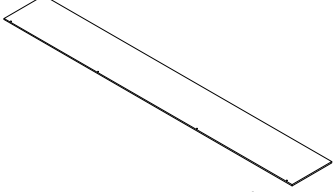

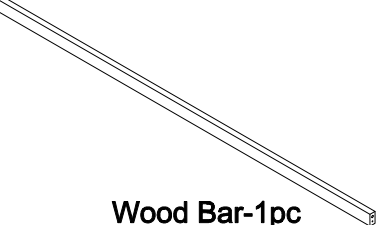
Bed Type	Length	Width	Thickness
<i>Full Standard</i>	<i>74" -75"</i>	<i>38 1/2"</i>	<i>8" max</i>

2. Replacement parts, including additional guardrails, maybe obtained from any of our (GIGACLOUD TECHNOLOGY (USA) INC. 18961 ARENTH AVENUE CITY OF INDUSTRY, CA, 91748) dealers
3. Follow the information on the warnings appearing on the upper bunk bed end structure and on the carton. Do not remove warning label from bed
4. Always use the recommended size mattresses or mattress supports, or both, to help prevent the likelihood of entrapment or falls.
5. Surface of mattress must be at least 5" (127mm) below the upper edge of guardrails
6. Do not allow children under 6 years of age to use the upper bunk.
7. Periodically check and ensure that the guardrail, ladder, and other components are in their proper position, free from damage, and that all connectors are tight.
8. Do not allow horseplay on or under the bed and prohibit jumping on the bed.
9. Always use the ladder for entering and leaving the upper bunkAlways use the ladder for entering and leaving the upper bunk.
10. Do not use substitute part. Contact the manufacture or dealer for replacement part
11. Use of a night light may provide added safety precaution for a child using the upper bunk..
12. Always use guardrails on both long sides of the upper bunk. If the bunk bed will be placed next to the wall, the guardrail that runs the full length of the bed should be placed against the wall to prevent entrapment between the bed and wall.
13. The use of water or sleep flotation mattresses is prohibited
14. STRANGULATION HAZARD - Never attach or hang items to any part of the bunk bed that are not designed for use with the bed; for example, but not limited to, hook, belts and jump ropes
15. Keep these instruction for future reference
16. Prohibit more than one person on upper bunk
17. We recommend assembling your bunk bed on the shipping carton to protect your floor or carpet
18. Be certain all staples are out of the box before beginning assembly on the shipping carton.


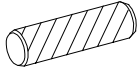
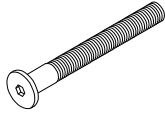


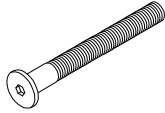


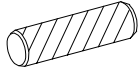
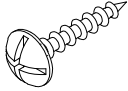


ASSEMBLY INSTRUCTION



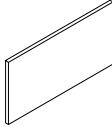
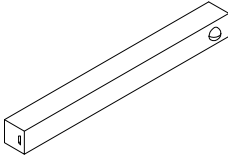
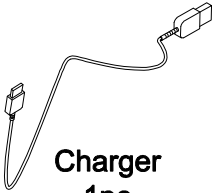
Part List & Hardware List (Box-WF308150)

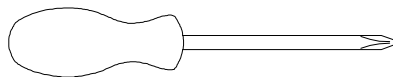
<p>A1</p>  <p>Leg-1pc</p>	<p>A2</p>  <p>Leg-1pc</p>	<p>A3</p>  <p>Leg-1pc</p>
<p>A4</p>  <p>Leg-1pc</p>	<p>B1</p>  <p>Wood Bars-3pcs</p>	<p>B2</p>  <p>Panel-1pc</p>
<p>B3</p>  <p>Panel-1pc</p>	<p>C1</p>  <p>Side Rail-1pc</p>	<p>C2</p>  <p>Frames-2pcs</p>
<p>C3</p>  <p>Side Rail-1pc</p>	<p>C4</p>  <p>Guard Rail-1pc</p>	<p>C5</p>  <p>Support Side Rail-1pc</p>
<p>D1</p>  <p>Slats-8pcs</p>	<p>E1</p>  <p>Side Panel-1pc</p>	<p>E2</p>  <p>Side Panel-1pc</p>
<p>E3</p>  <p>Back Panel-1pc</p>	<p>E4</p>  <p>Top Panel-1pc</p>	<p>E5</p>  <p>Bottom Panel-1pc</p>
<p>E6</p>  <p>Wood Bar-1pc</p>	<p>E7</p>  <p>Wood Bar-1pc</p>	

Hardware List (Box-WF308150)

<p>1</p>  <p>Screws 1/4"x60mm 8pcs</p>	<p>2</p>  <p>Ø10 x 40 mm Wood dowel 10pcs</p>	<p>3</p>  <p>Ø1/4" x 90 mm Hex-Head bolts 10pcs</p>
<p>4</p>  <p>Ø1/4" x 13 mm Horizontal-Hole bolts 10pcs</p>	<p>5</p>  <p>Screws 1/4"x30mm 2pcs</p>	<p>6</p>  <p>Ø1/4" x 60 mm Hex-Head bolts 4pcs</p>
<p>7</p>  <p>Ø1/4" x 30mm Hex-Head bolts 9pcs</p>	<p>8</p>  <p>Screws 1/4"x40mm 8pcs</p>	<p>9</p>  <p>Ø8 x 30 mm Wood dowel 4pcs</p>
<p>10</p>  <p>M4 x15 mm Wood Screws 8pcs</p>	<p>11</p>  <p>M4 x 30 mm Wood Screws 16pcs</p>	<p>12</p>  <p>Allen Key 1pc</p>

Box Of Led Light

<p>13</p>  <p>Magnet leaf 4pcs</p>	<p>14</p>  <p>Led Light 1pc</p>	<p>15</p>  <p>Charger 1pc</p>
--	---	---



Assembly Tools Required (Not Included)

STEP 1: Following below illustration:

1.1: Using hardware #1 Connect A1, A2 Legs With B1 (x2) Wood Bars and B3 Panel

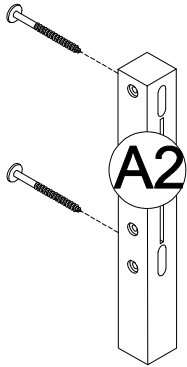
1.2: Using hardware #1 Connect A3, A4 Legs With B1 Wood Bar

-Look at detail view for more detail

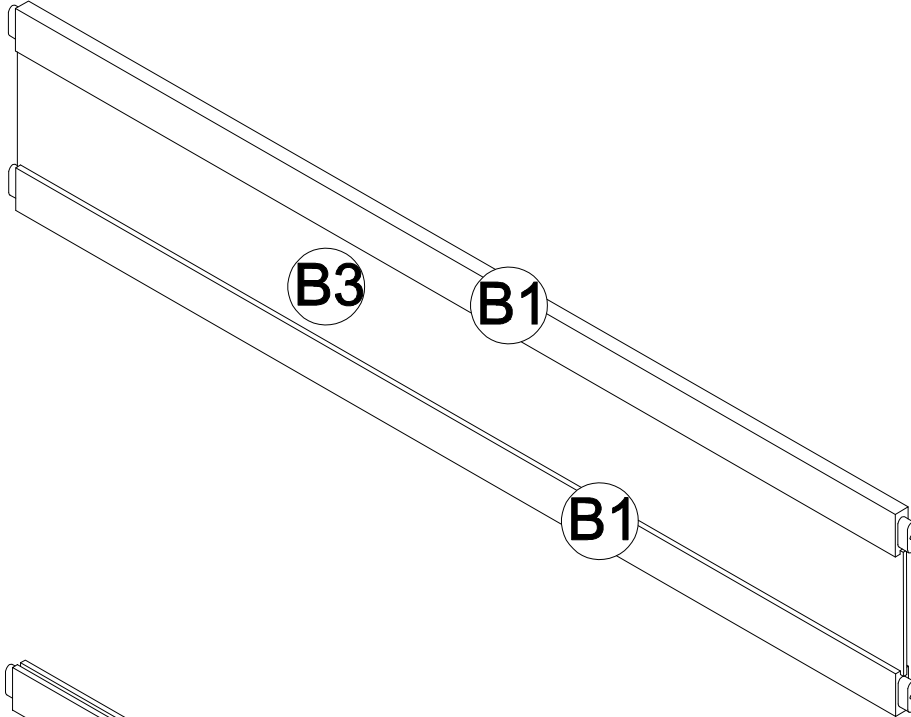
1



6pcs



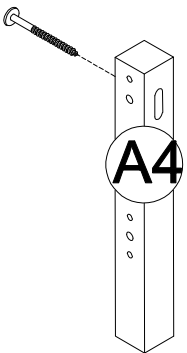
A2



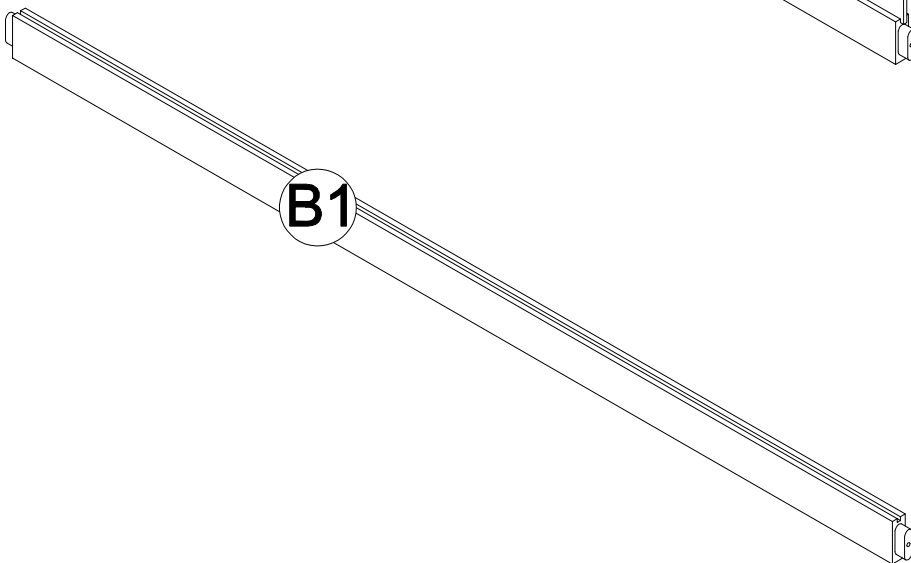
B3

B1

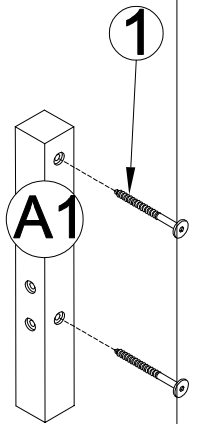
B1



A4

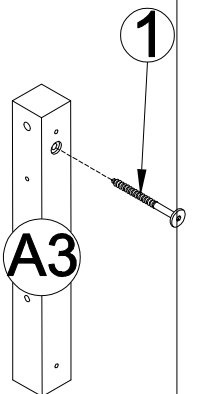


B1



1

A1



1

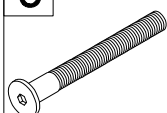

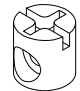
A3

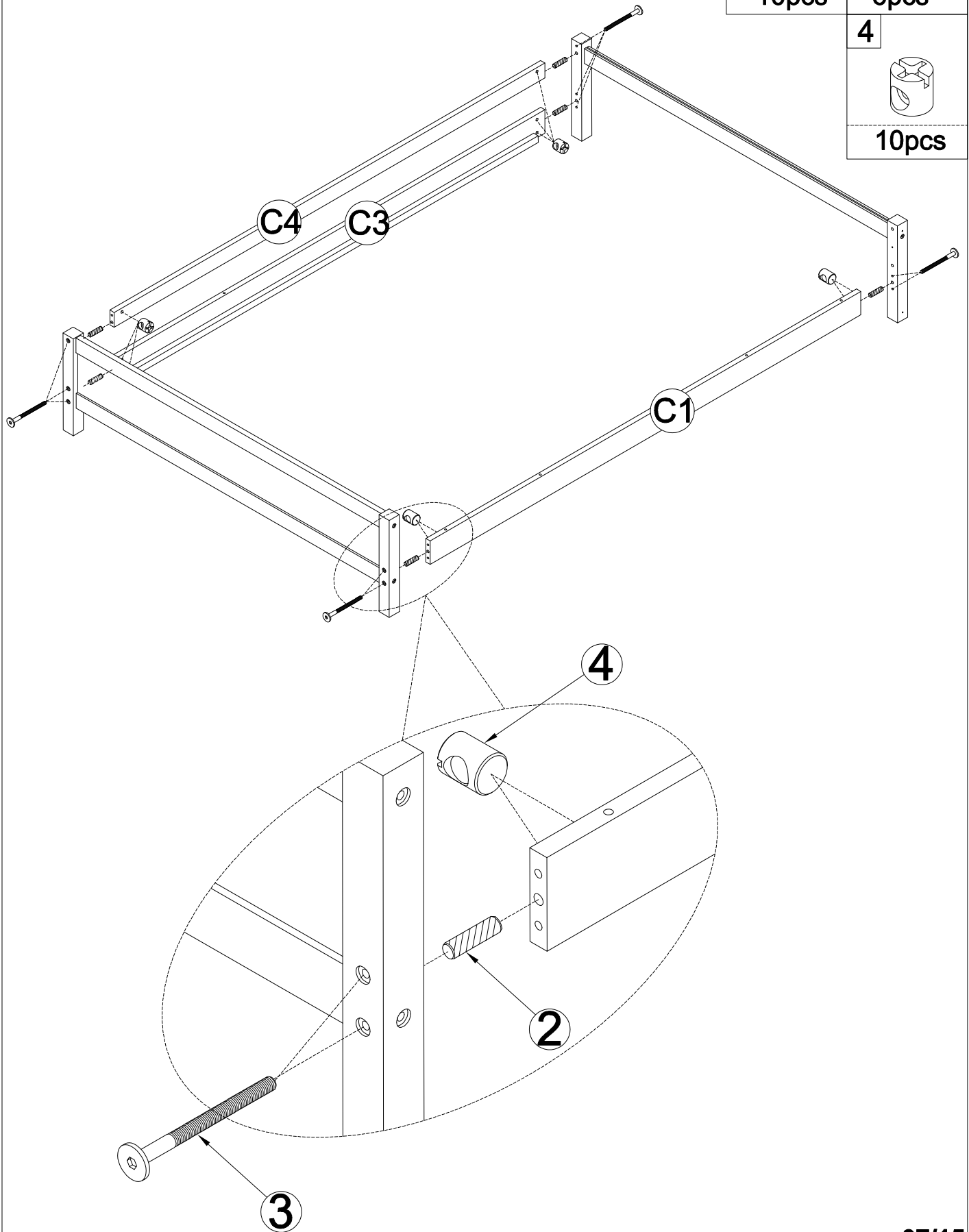
STEP 2: Following below illustration:

-Using hardware #3,#4 and dowel 2 to Assembly Frame(Completed on step 1.1,step 1.2)

With C1,C3 Side Rails and C4 Guard Rail



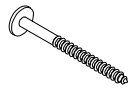
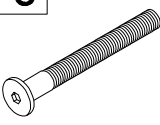
-Look at detail view for more detail

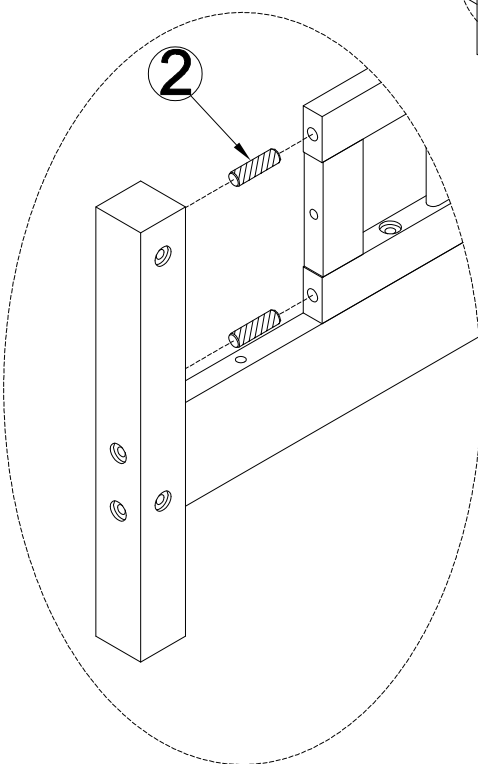
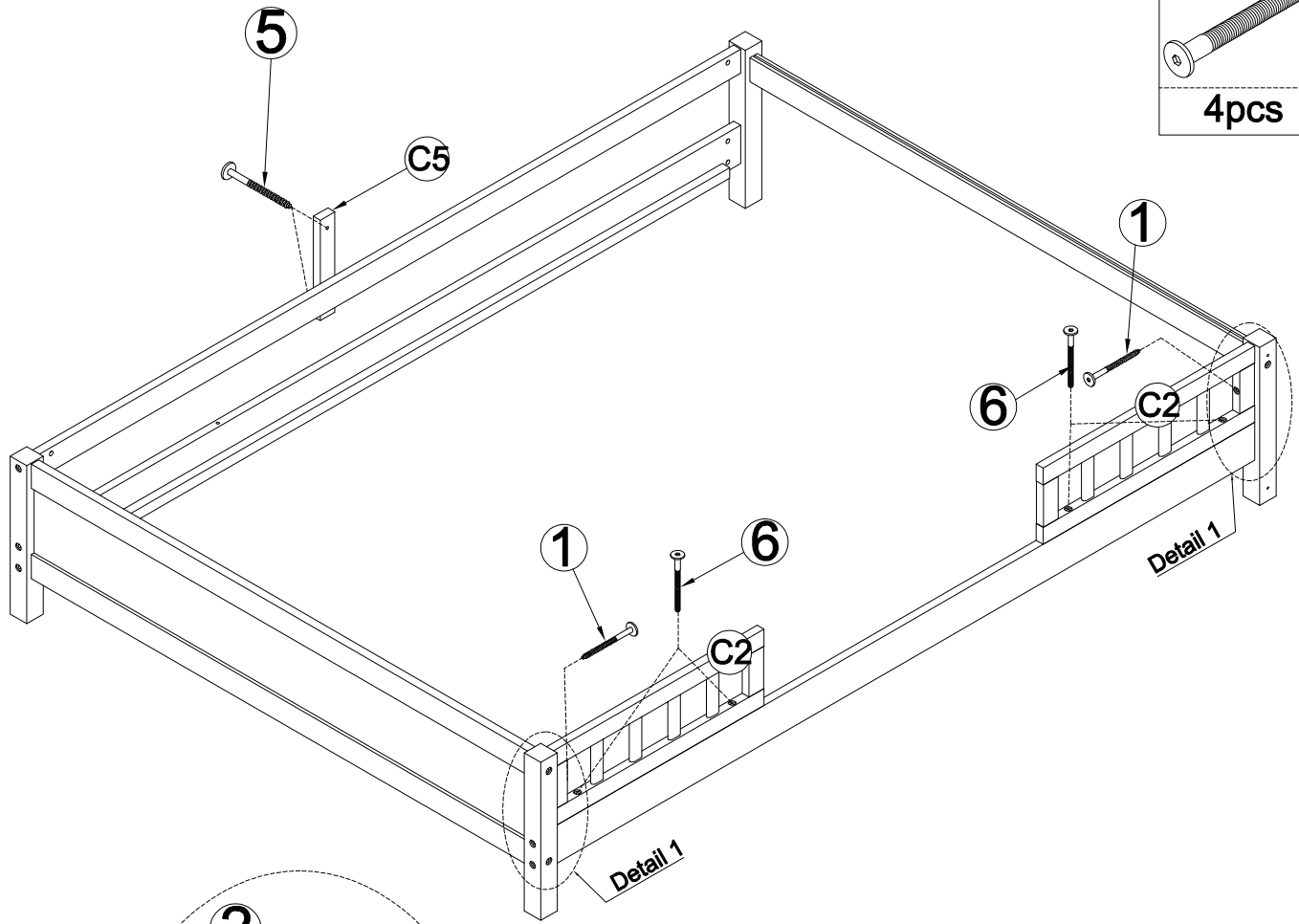
3 	2 
10pcs	6pcs
4 	
10pcs	



STEP 3: Following below illustration:

-Using hardware #1,#5,#6 and dowel 2 to Assembly Frame(Completed on step 2)
With C2(x2) Frame and C5 Rail
-Look at detail view for more detail

1	2	5
		
2pcs	4pcs	2pcs
		6
		
		4pcs

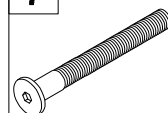


Detail 1
(x2)

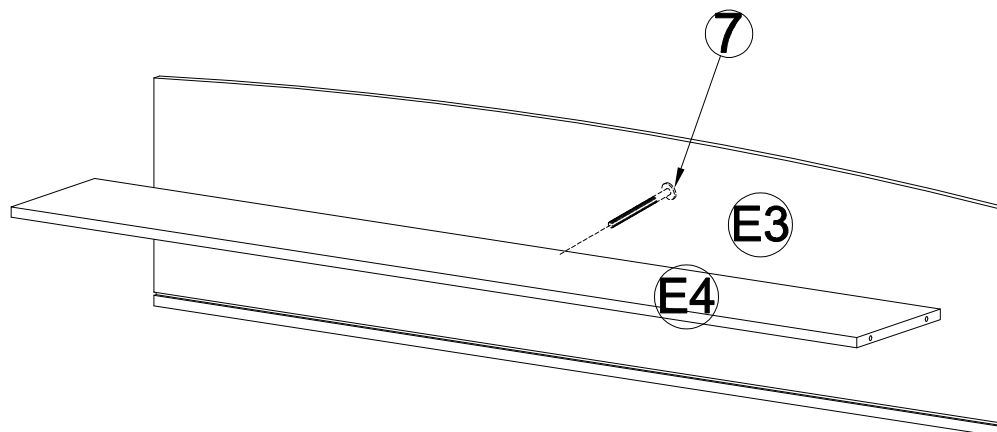
STEP 4-1: Following below illustration:

- Using hardware #7 to Assembly Back Panel E3 With Top Panel E4
- Look at detail view for more detail

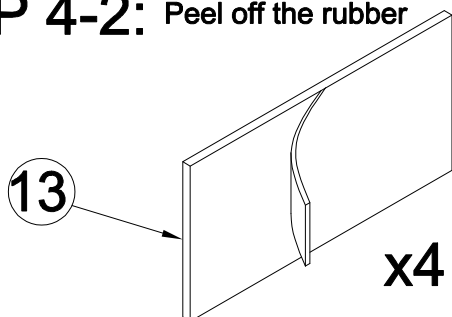
7



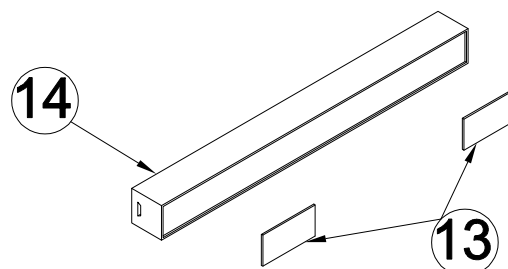
1pc



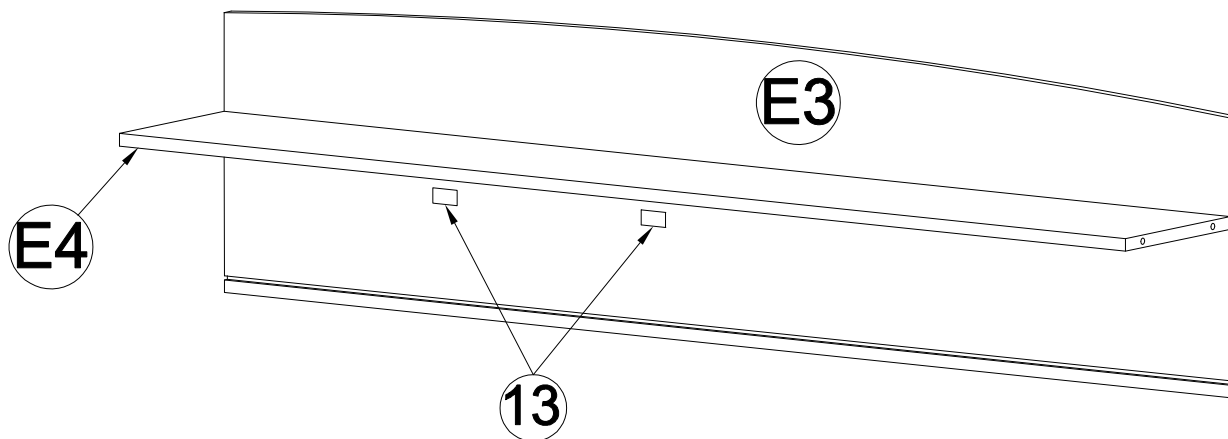
STEP 4-2: Peel off the rubber



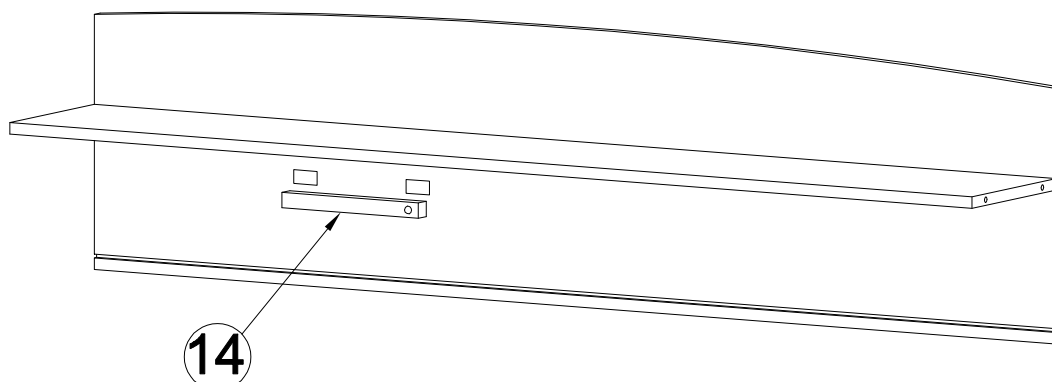
STEP 4-3: Glue 2 magnets to the led light



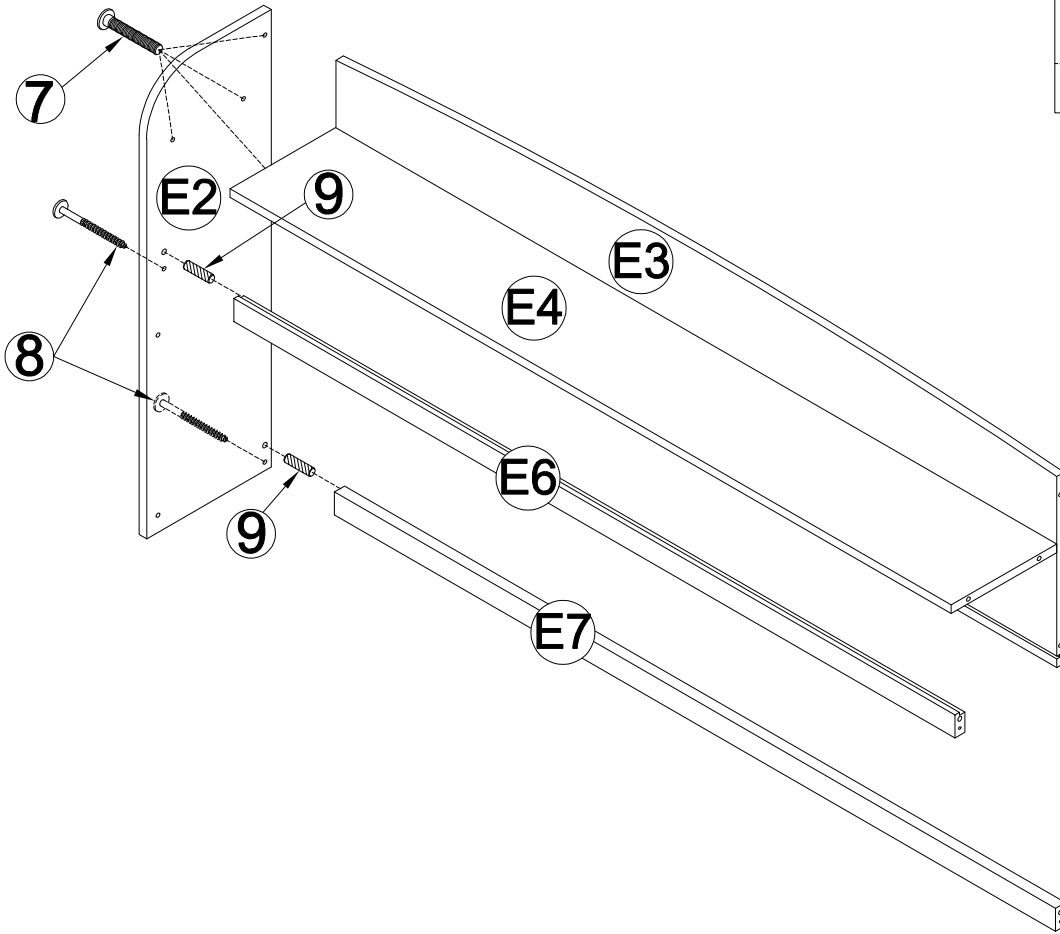
STEP 4-4: Glue 2 magnets to the E3 Panel


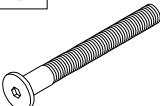



STEP 4-5: Glue Led Light

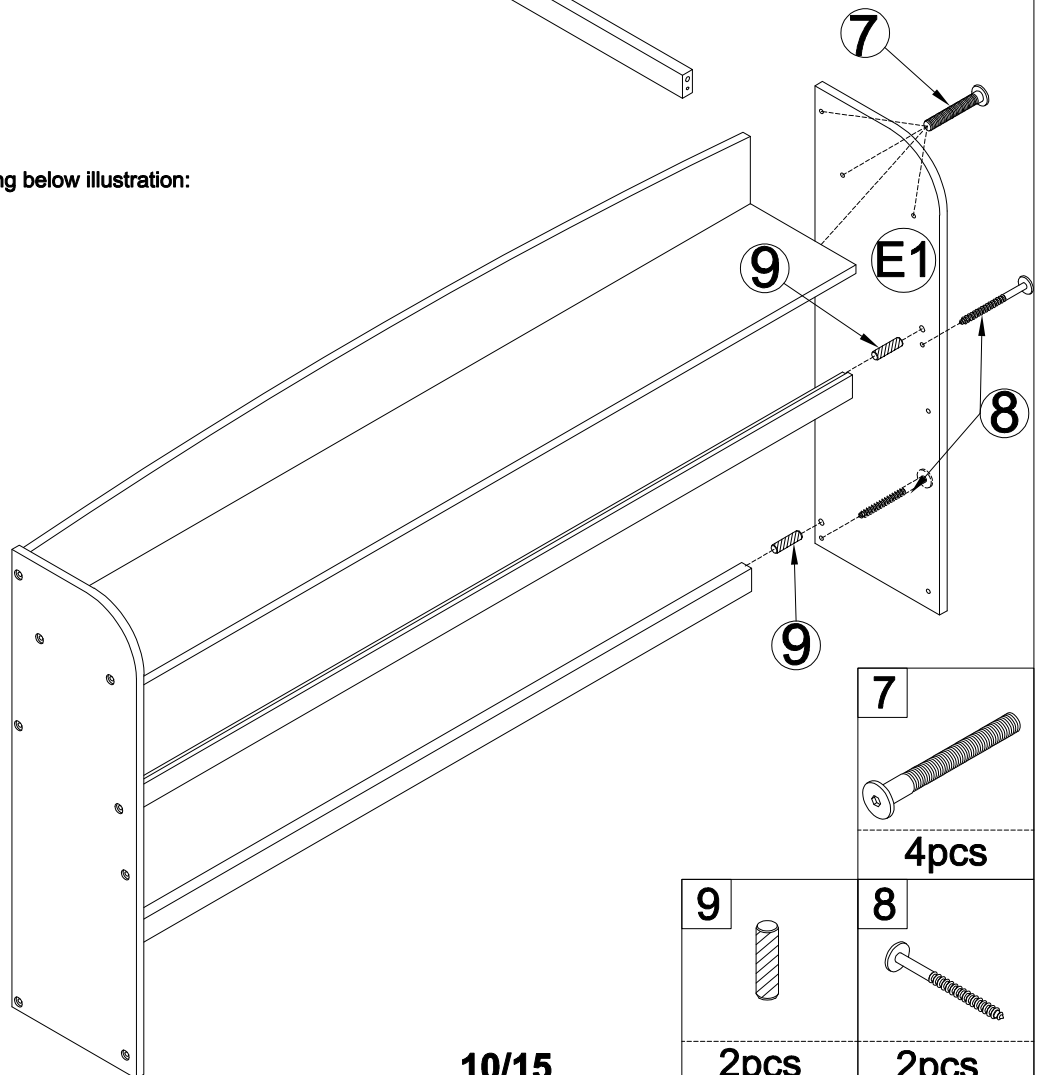


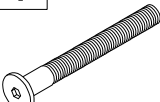

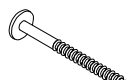
STEP 4-6: Following below illustration:



9		7	
2pcs		4pcs	
		8	
		2pcs	

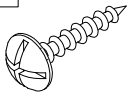
STEP 4-7: Following below illustration:



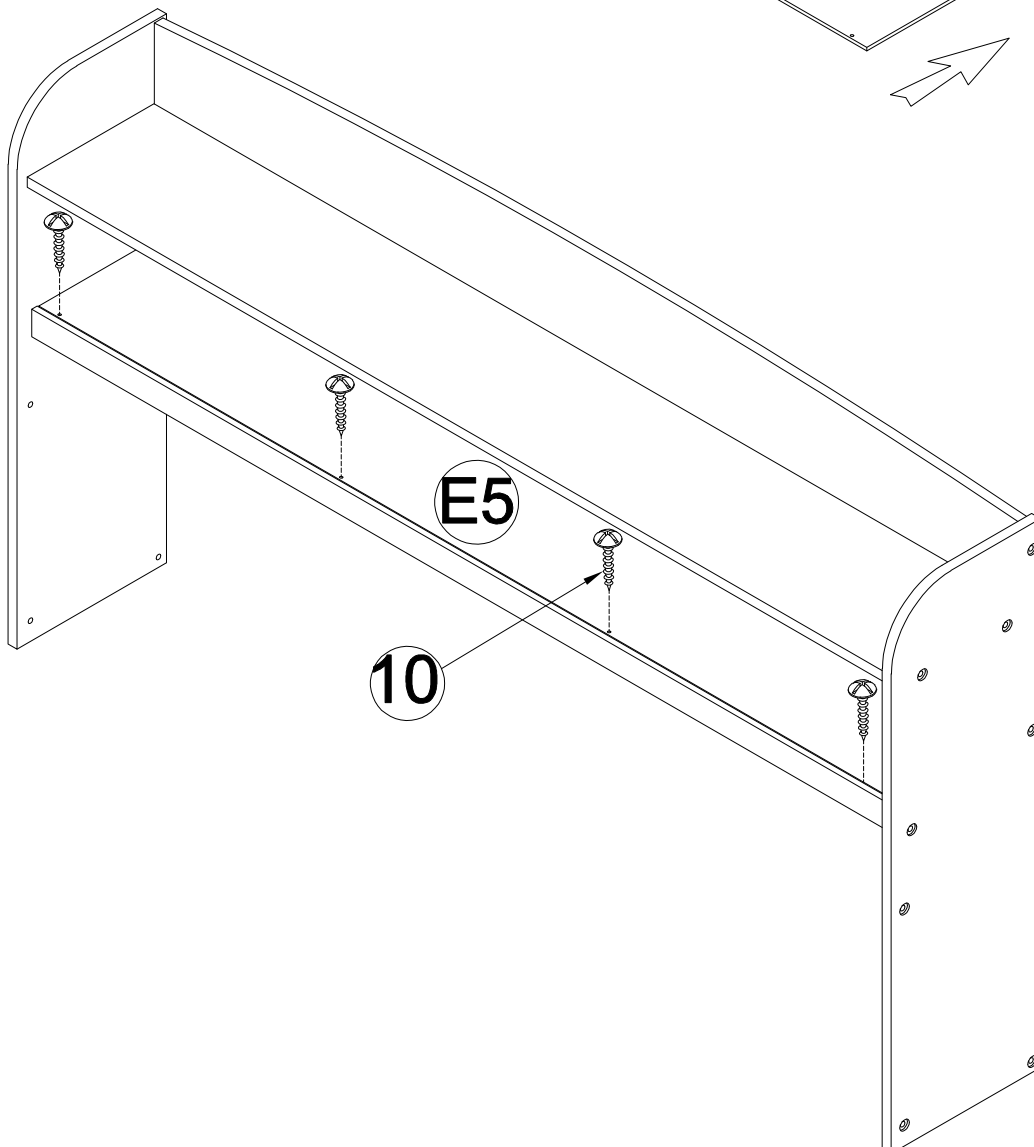
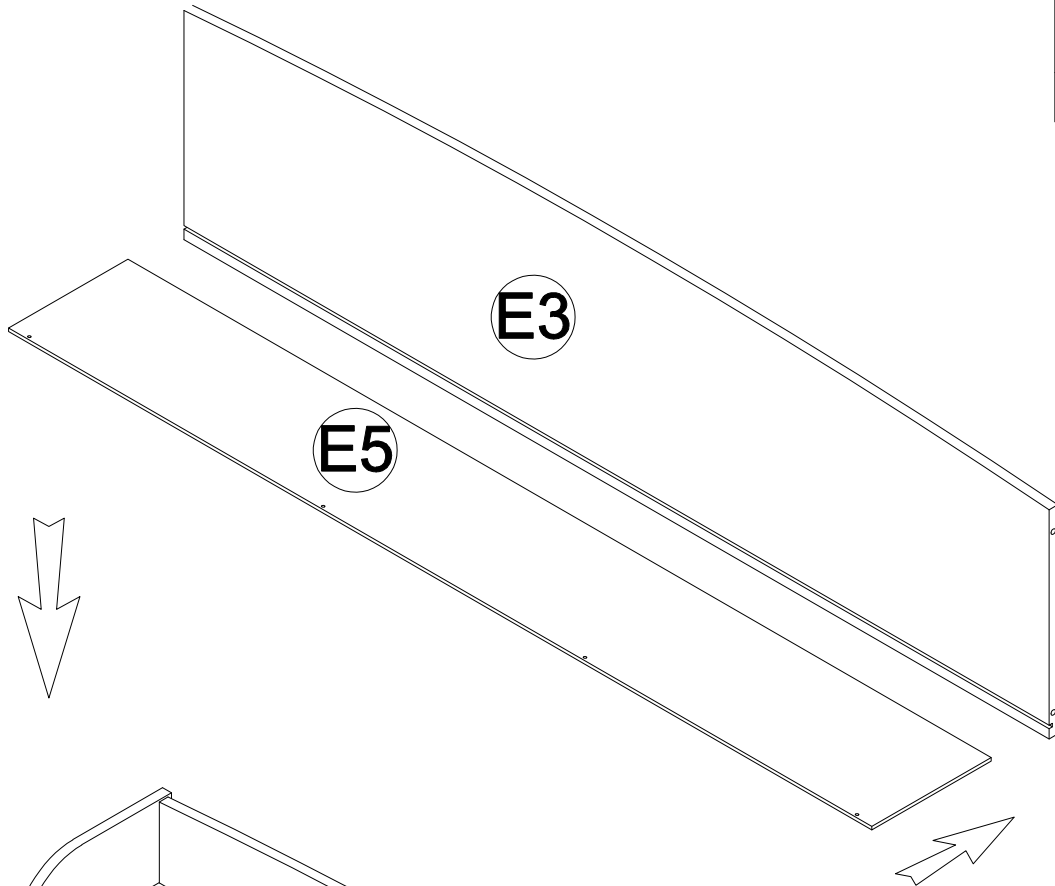
		7	
		4pcs	
9		8	
2pcs		2pcs	

STEP 4-8: Following below illustration:

10



4pcs



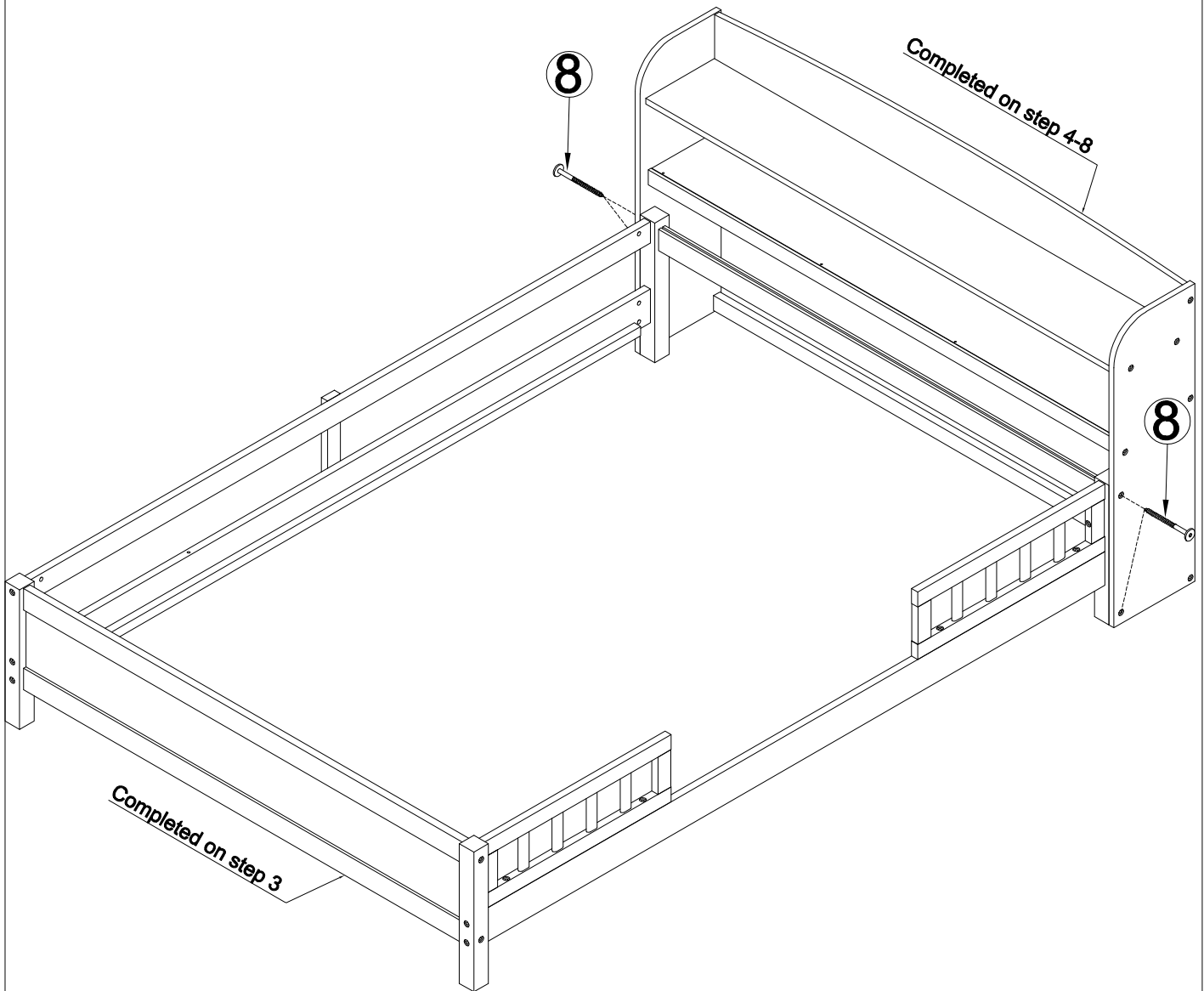
STEP 5: Following below illustration:

- Using hardware #8 to Assembly Frame(Completed on step 3)
- With Frame(Completed on step 4-8)
- Look at detail view for more detail

8



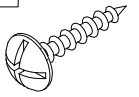
4pcs



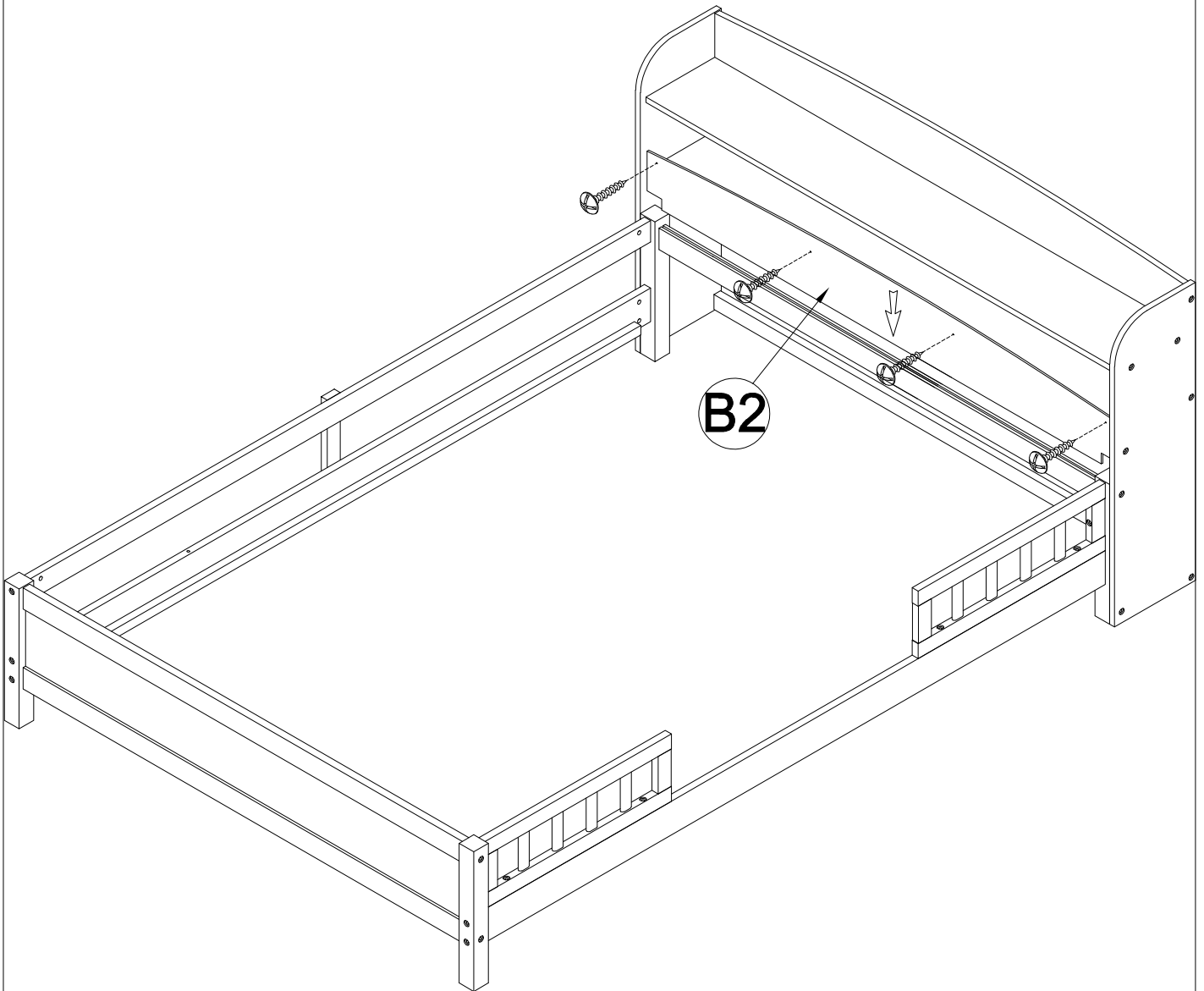
STEP 6: Following below illustration:

- Using hardware #10 to Assembly Frame (Completed on step 5) With B2 Panel
- Look at detail view for more detail

10

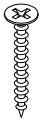


4pcs

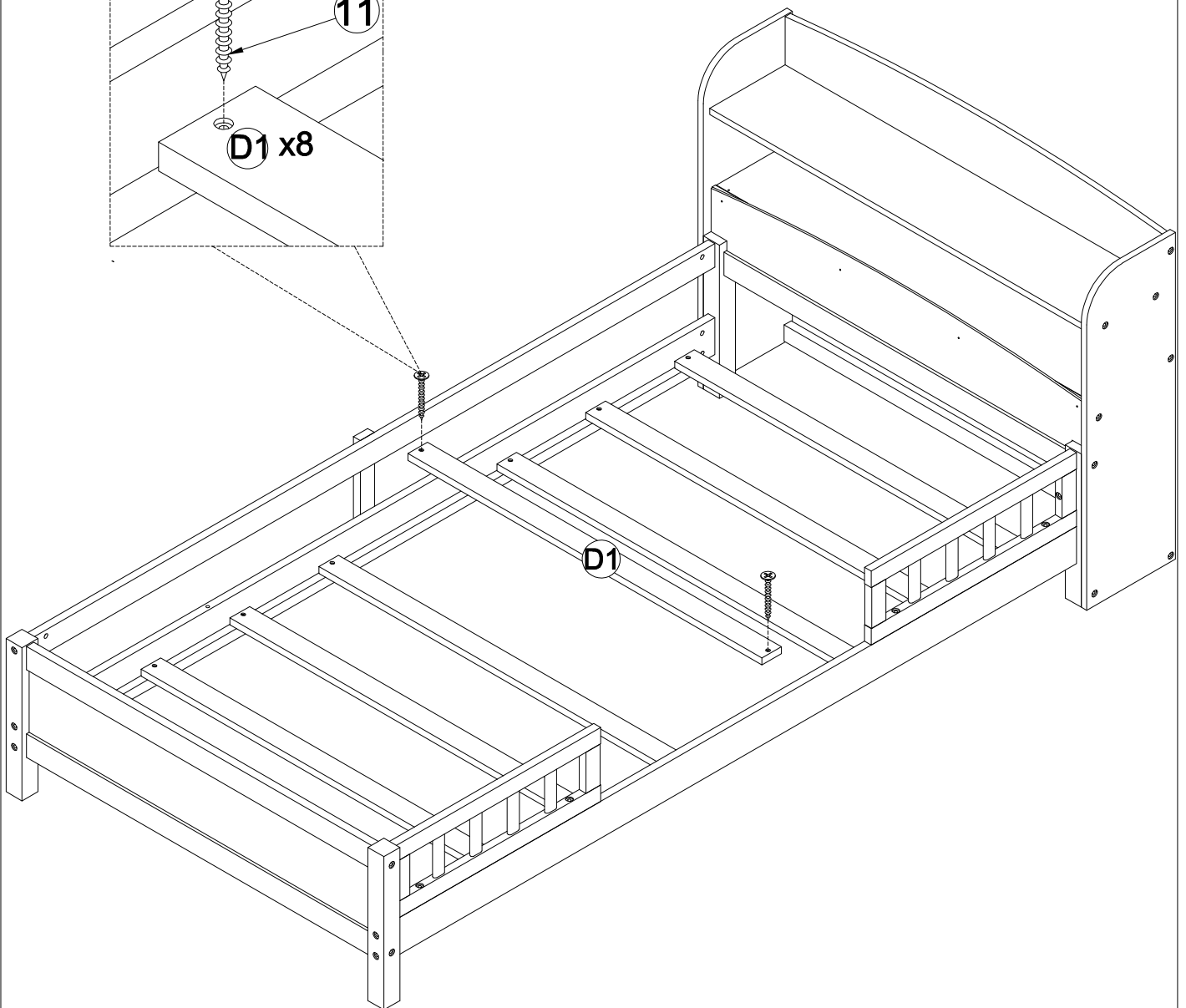
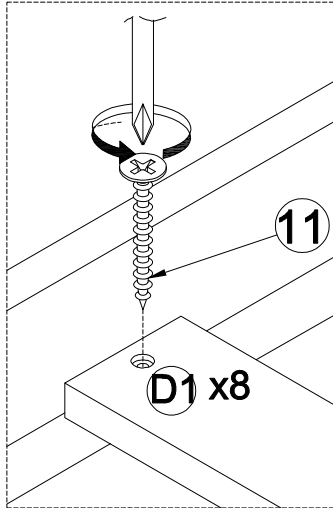


STEP 7: Following below illustration:

11



16pcs



CONGRARULATION. YOU HAVE COMPLETED THE BED

