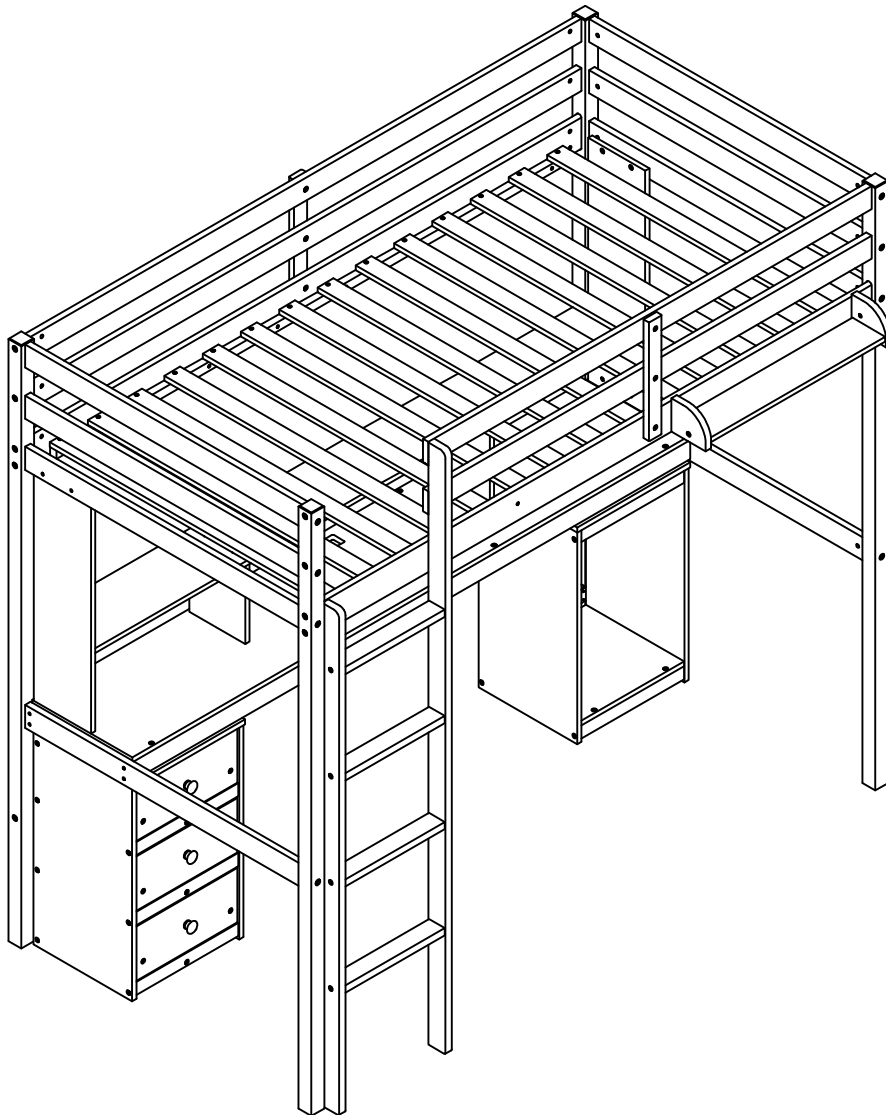


ASSEMBLY INSTRUCTIONS

TWIN LOFT BED WITH DESK



WF303300/WF303301

SAFETY WARNINGS AND GENERAL NOTES:

Follow the information on the warnings on the loft bed end structure and on the carton. Do not remove the warning label from the bed. Always use the recommended size mattress on mattress support, or both, to help prevent the likelihood of entrapment or falls.

The top surface of the mattress must be at least 5*inch (127mm) below the upper edge of the guardrail.

Do not allow children under 6 years of age to use the upper bunk.

Periodically check and ensure the guardrail, ladder and other components are in their proper position, free from damage, and all connectors are tight.

Do not allow horseplay on or under beds.

Always prohibit jumping on the bed.

Prohibit more than one person on upper bunk.

Always use the ladder for entering and leaving the upper bunk.

Do not use substitute parts. Contact the manufacturer or dealer for replacement parts.

Use of a night-light may provide added safety precaution for a child using the upper bunk.

Always use guardrails on both long sides of the upper bunk.

If the loft bed will be placed next to a wall, the guardrail that runs the full length of the bed should be placed against the wall to prevent entrapment between the bed and the wall.

The use of water or sleep flotation mattresses is prohibited.

STRANGULATION HAZARD-Never attach or hang items to any part of the loft bed that are not designed for use with the bed.

Keep these instructions for future reference.

We recommend assembling your loft bed on the shipping carton to protect your floor or carpet.

Be certain all staples are out of the box before beginning assembly on the shipping carton.

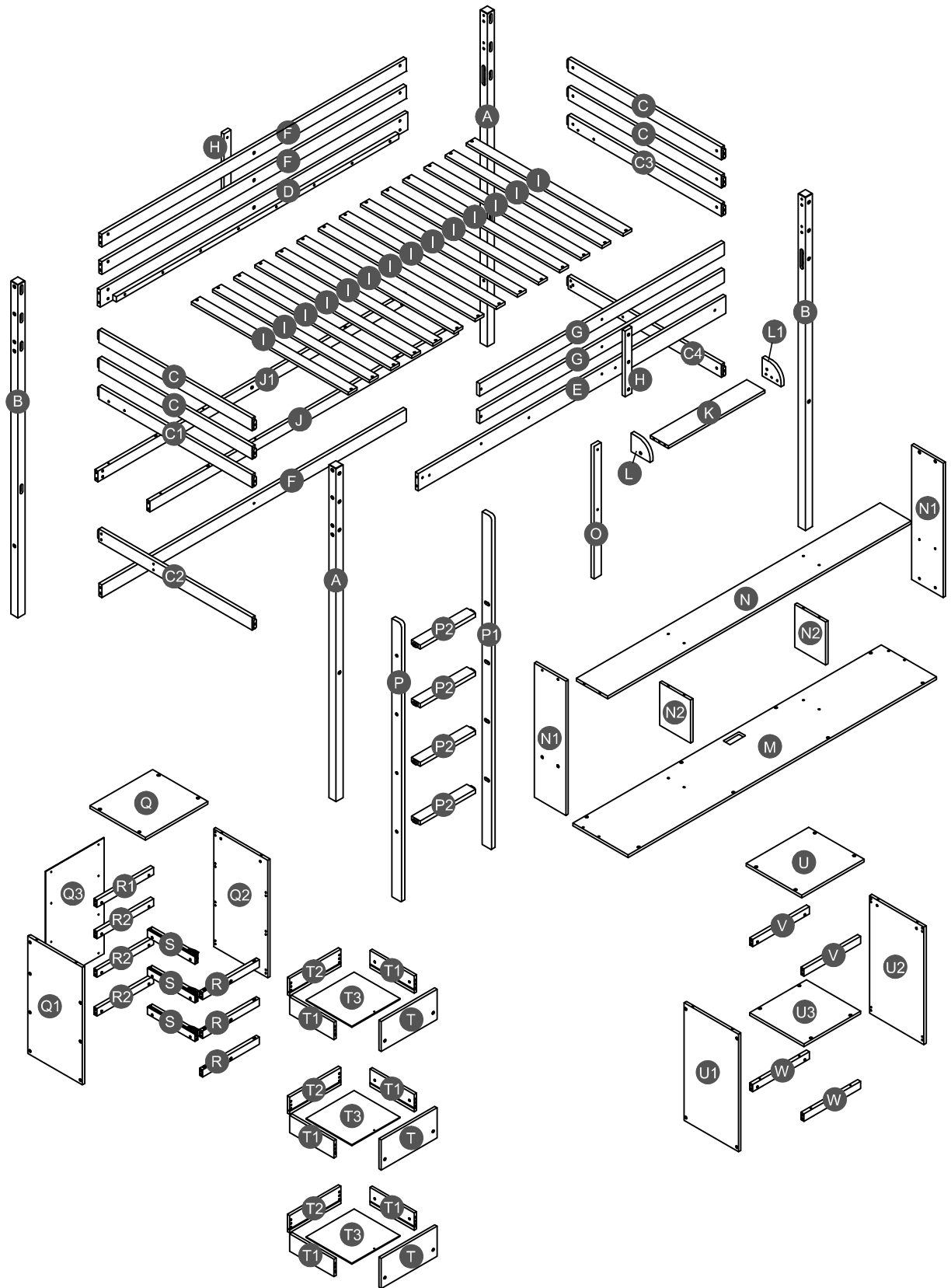
USE ONLY MATTRESSES WHICH ARE 74"-75" LONG AND 38 1/2" WIDE ON UPPER BUNKS. ENSURE THICKNESS OF MATTRESS DOES NOT EXCEED 6".

SURFACE OF MATTRESS MUST BE AT LEAST 5" (127MM) BELOW THE UPPER EDGE OF GUARDRAILS.

Replacement Parts:

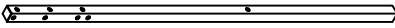
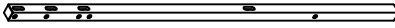
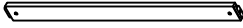
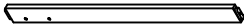
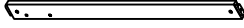



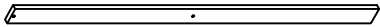


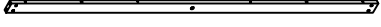
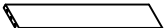


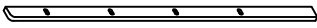

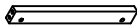

Replacement Parts, including additional guardrails, may be obtained from any of our (GIGACLOUD TECHNOLOGY (USA) INC. 18961 ARENTH AVENUE, CITY OF INDUSTRY , CA, 91748.) dealers

Detail View



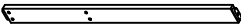

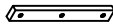


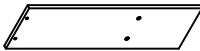
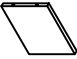

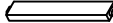
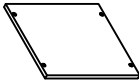
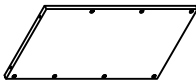

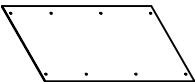

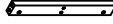


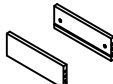
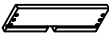

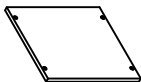
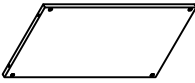
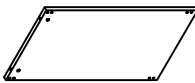
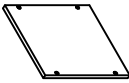
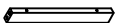
Part List

WF303300


<p>A</p>  <p>Leg (Left Front/Right Back) - 2pcs</p>	<p>B</p>  <p>Leg (Left Back/Right Front) - 2pcs</p>	<p>C</p>  <p>Horizontal bar HB/FB - 4pcs</p>
<p>C1</p>  <p>Divider horizontal bar FB - 1pc</p>	<p>C3</p>  <p>Divider horizontal bar HB - 1pc</p>	<p>D</p>  <p>Side rail (Back) - 1pc</p>
<p>E</p>  <p>Side rail (Front) - 1pc</p>	<p>F</p>  <p>Long guard rail (Back) - 3pcs</p>	<p>G</p>  <p>Short guard rail (Front) - 2pcs</p>
<p>I</p>  <p>Slats - 14pcs</p>	<p>J</p>  <p>Lower horizontal bar (Front) - 1pc</p>	<p>J1</p>  <p>Lower horizontal bar (Back) - 1pc</p>
<p>K</p>  <p>Shelf panel (Front) - 1pc</p>	<p>M</p>  <p>Top panel - 1pc</p>	<p>N</p>  <p>Shelf panel - 1pc</p>
<p>P</p>  <p>Left side ladder - 1pc</p>	<p>P1</p>  <p>Right side ladder - 1pc</p>	<p>R1</p>  <p>Upper horizontal bar (Back) - 1pc</p>
<p>V</p>  <p>Upper horizontal bar - 2pcs</p>		

Part List

Hardware List WF303301

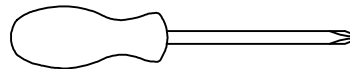
C2  Lower horizontal bar FB - 1pc	C4  Lower horizontal bar HB - 1pc	H  Vertical guard rail - 2pcs
L  Shelf support (Left) - 1pc	L1  Shelf support (Right) - 1pc	N1  Side panel - 2pcs
N2  Divider shelf panel - 2pcs	O  Support middle lower back - 1pc	P2  Step ladder - 4pcs
Q  Top panel - 1pc	Q1  Side panel (Left) - 1pc	Q2  Side panel (Right) - 1pc
Q3  Back panel - 1pc	R  Horizontal bar (Front) - 3pcs	R2  Horizontal bar (Back) - 3pcs
S  Support drawer - 3pcs	T  Front drawer panel - 3pcs	T1  Left / right drawer panel - 6pcs
T2  Back drawer panel - 3pcs	T3  Drawer bottom - 3pcs	U  Top panel - 1pc
U1  Side panel (Left) - 1pc	U2  Side panel (Right) - 1pc	U3  Bottom panel - 1pc
W  Lower horizontal bar - 2pcs		

Hardware List WF303301

1	 Ø10*40mm	2	 Ø10*20mm	3	 Ø8*30mm
Wood dowel (8pcs)		Wood dowel (4pcs)		Wood dowel (50pcs)	
4	 (Ø15)1/4"*100mm	5	 (Ø15)1/4"*80mm	6	 (Ø12)1/4"*60mm
Hex-Head bolts (16pcs)		Hex-Head bolts (16pcs)		Hex-Head bolts (84pcs)	
7	 (Ø12)1/4"*40mm	8	 (Ø12)1/4"*35mm	9	 (Ø12)1/4"*30mm
Hex-Head bolts (4pcs)		Hex-Head bolts (2pcs)		Hex-Head bolts (10pcs)	
10	 1/4"*15 (9.5mm)	11	 (Ø12)1/4"*40mm	12	 (1/4")4.5*58mm
Horizontal-Hole bolts(116pcs)		Hex-Head bolts (12pcs)		Allen key (1pc)	
13	 Ø4*30mm	14	 Ø38*31mm	15	 3/16"*25mm
Wood screws (28pcs)		Pine Knob (3pcs)		Ph zinc(Knob) (3pcs)	
16	 50*24*24*2mm	17	 40*18*18*2mm	18	 Ø3.5*15mm
Metal bracket (1pc)		Metal bracket (4pcs)		Wood screws (32pcs)	
19	 Ø3.5*15mm	20	 295*30mm	21	 125*47*43mm
Wood screws (8pcs)		Upper slider drawer (3pcs)		2 holes usb Power plug (1pc)	
22	 L3000mm	23	 L1900mm	24	 22*10*6mm
Adapter and wire strip (1pc)		Led light (1pc)		Clamp plastic (1pc)	

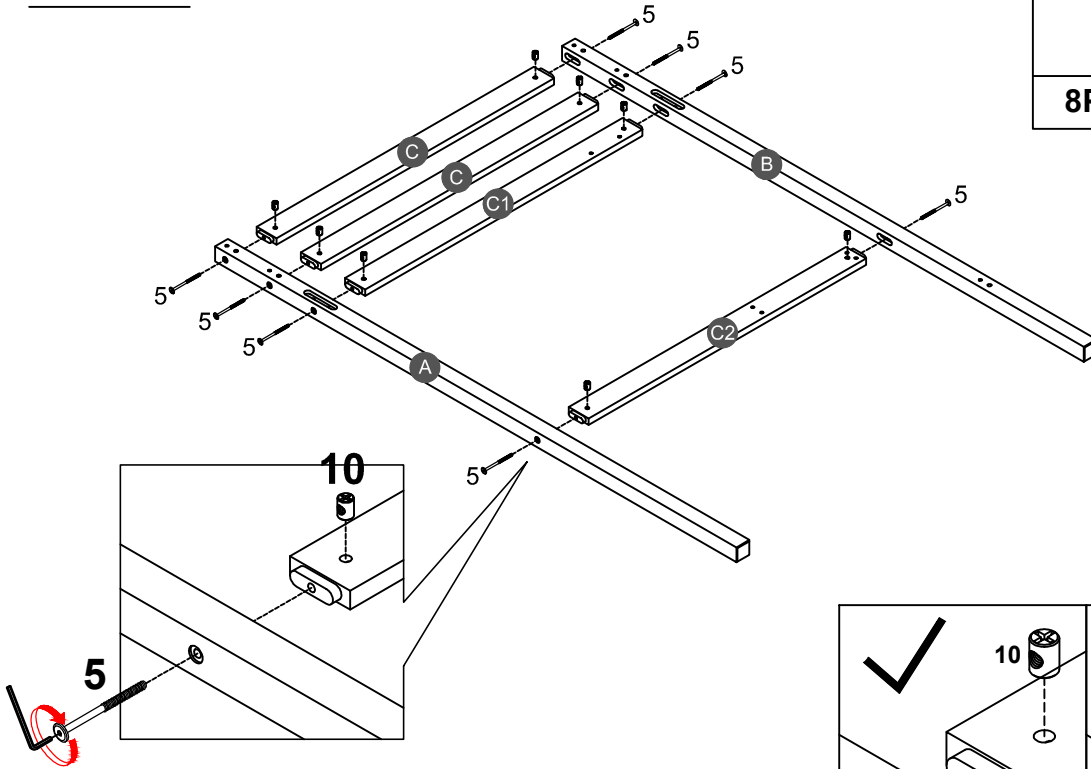




ASSEMBLY TOOLS REQUIRED (NOT INCLUDED)



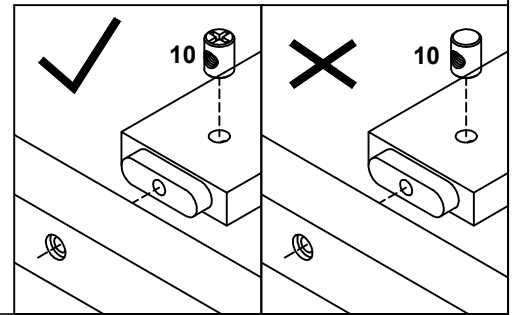
PLEASE BE CAREFUL DO NOT DAMAGE THE HOLE POSITION WHEN YOU USE POWER TOOLS !

STEP 1:

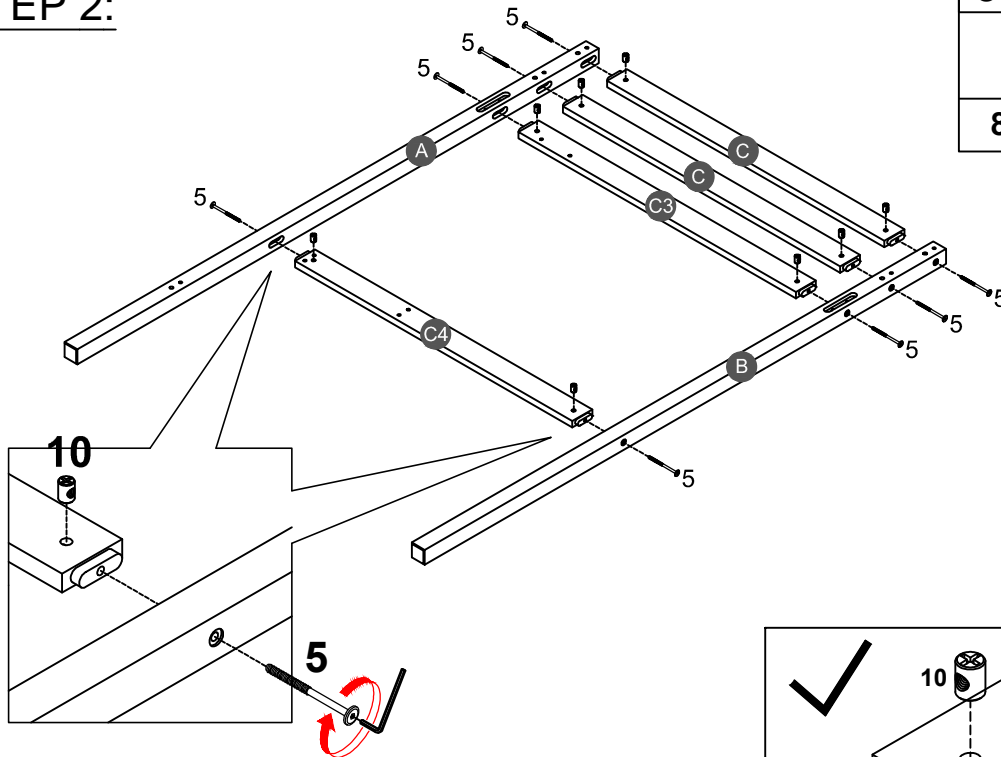




5		10	
8PCS		8PCS	

Note: Part 10 will face up with the "x" mark on it, otherwise it cannot be tightened

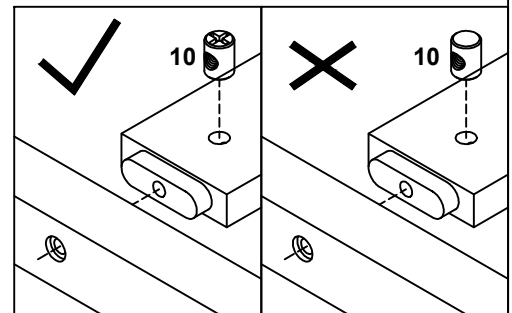


STEP 2:

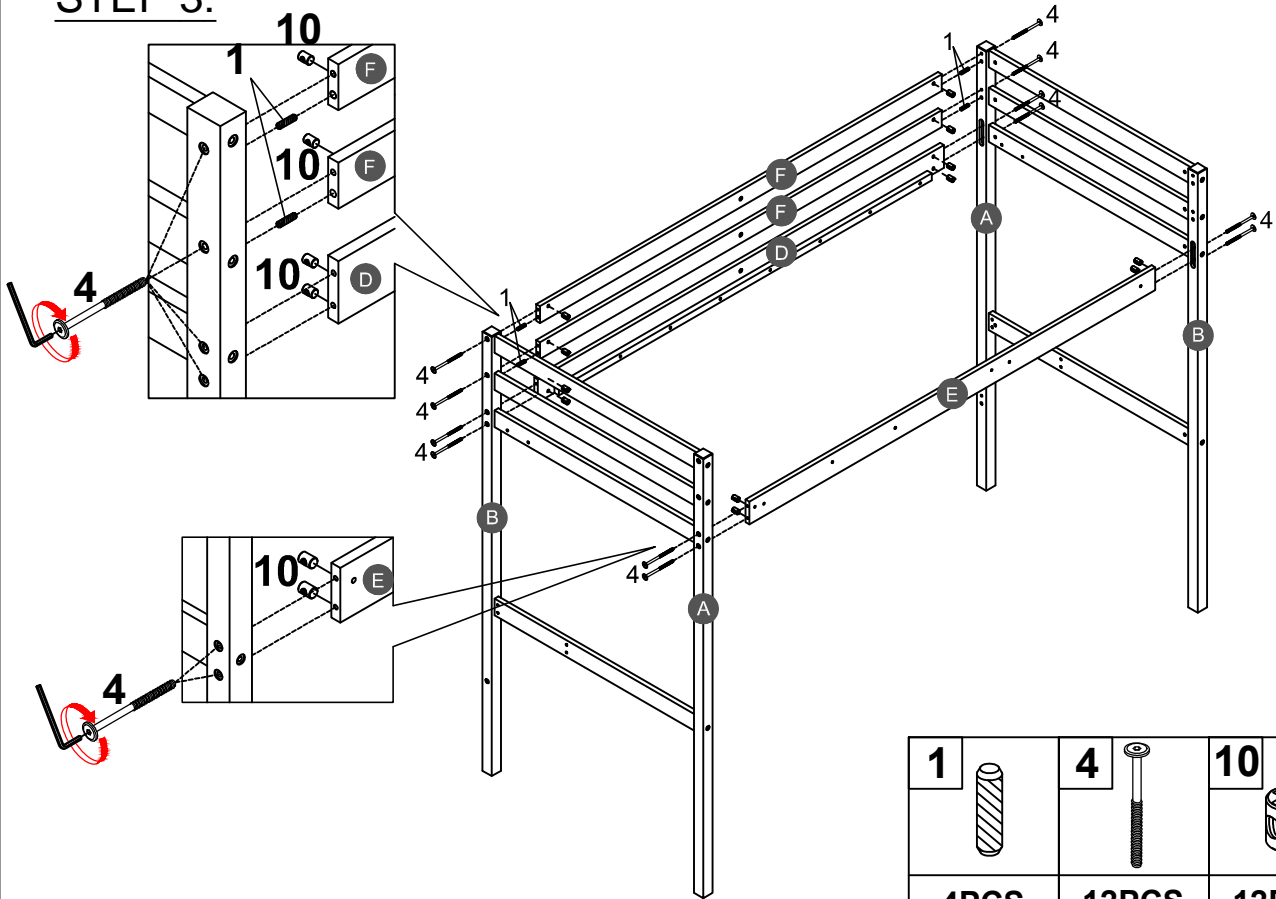







5		10	
8PCS		8PCS	

Note: Part 10 will face up with the "x" mark on it, otherwise it cannot be tightened

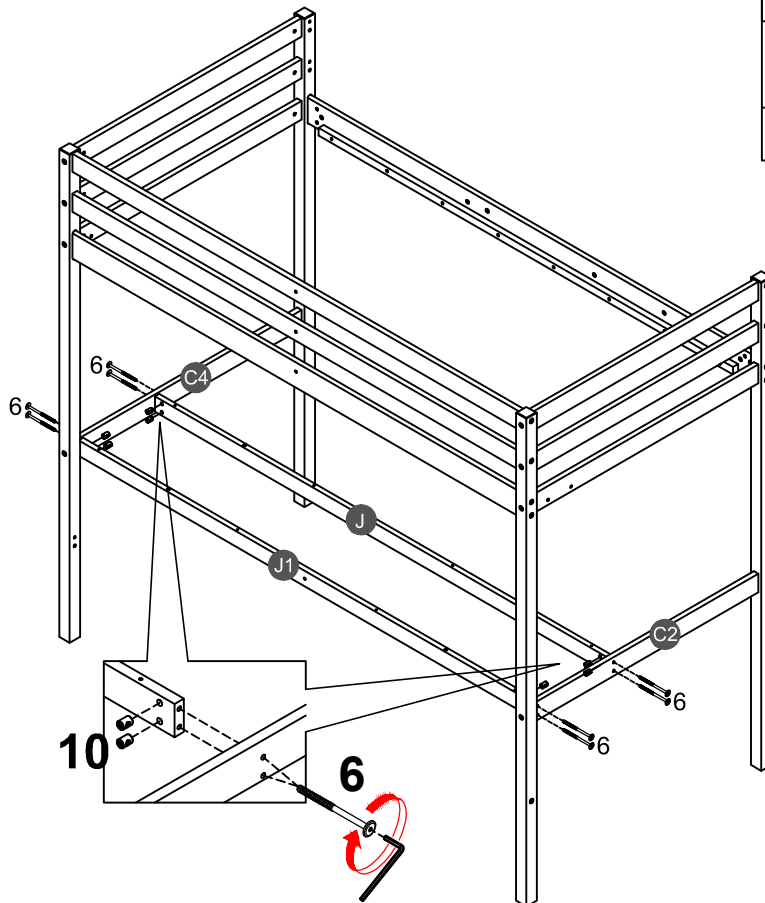


STEP 3:

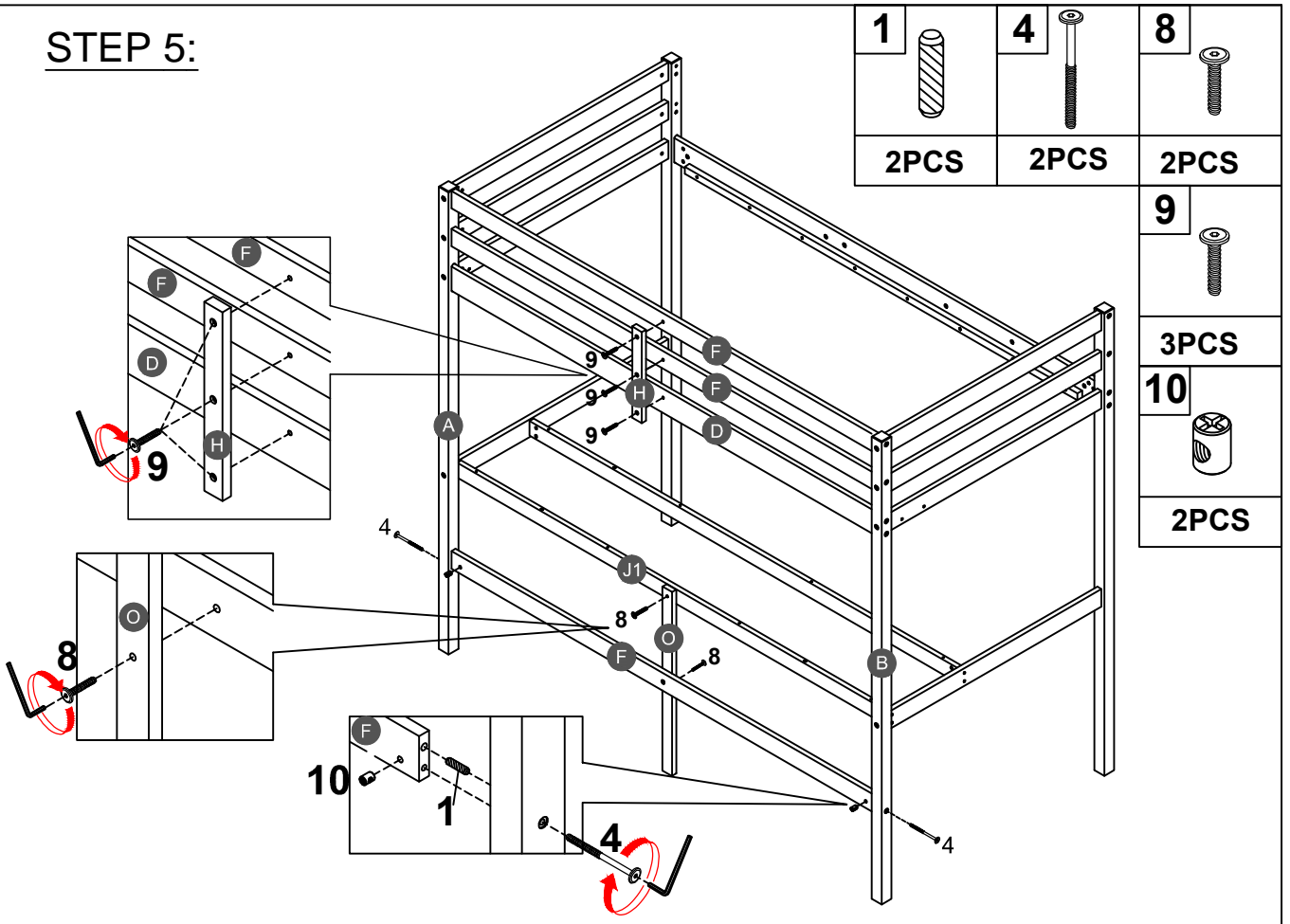


1 	4 	10 
4PCS	12PCS	12PCS
	6 	10 
	8PCS	8PCS

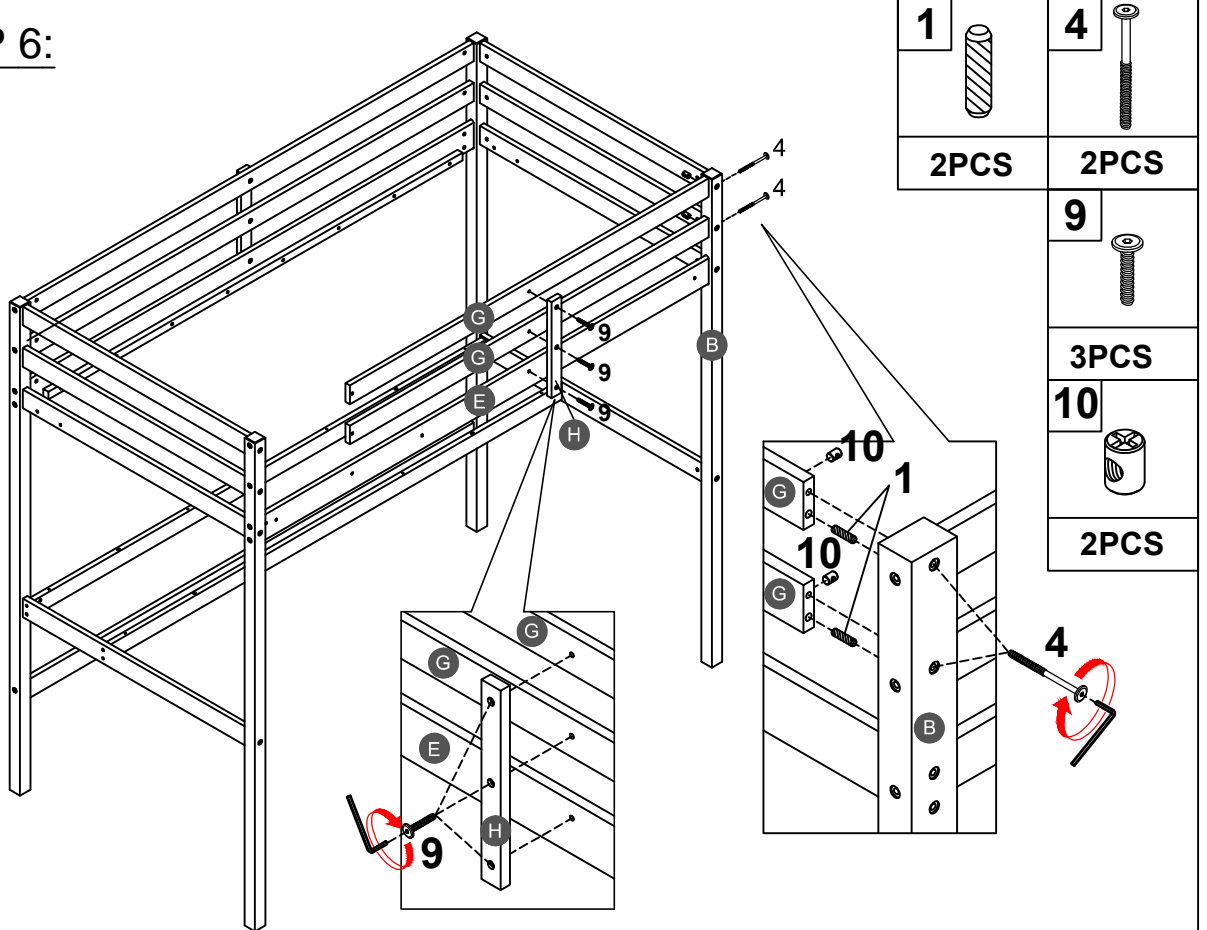
STEP 4:





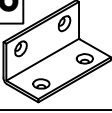

STEP 5:

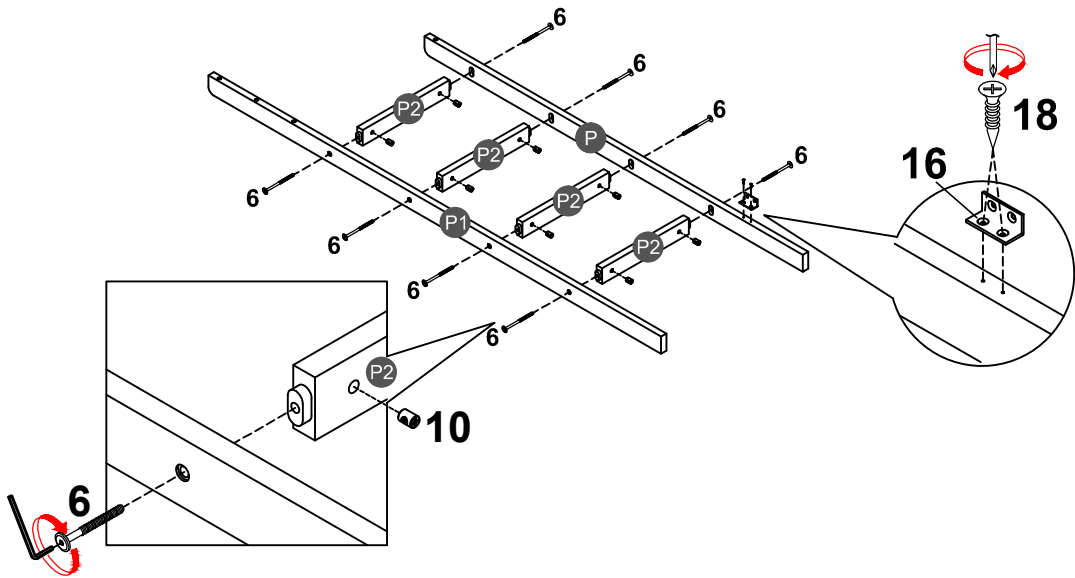


STEP 6:





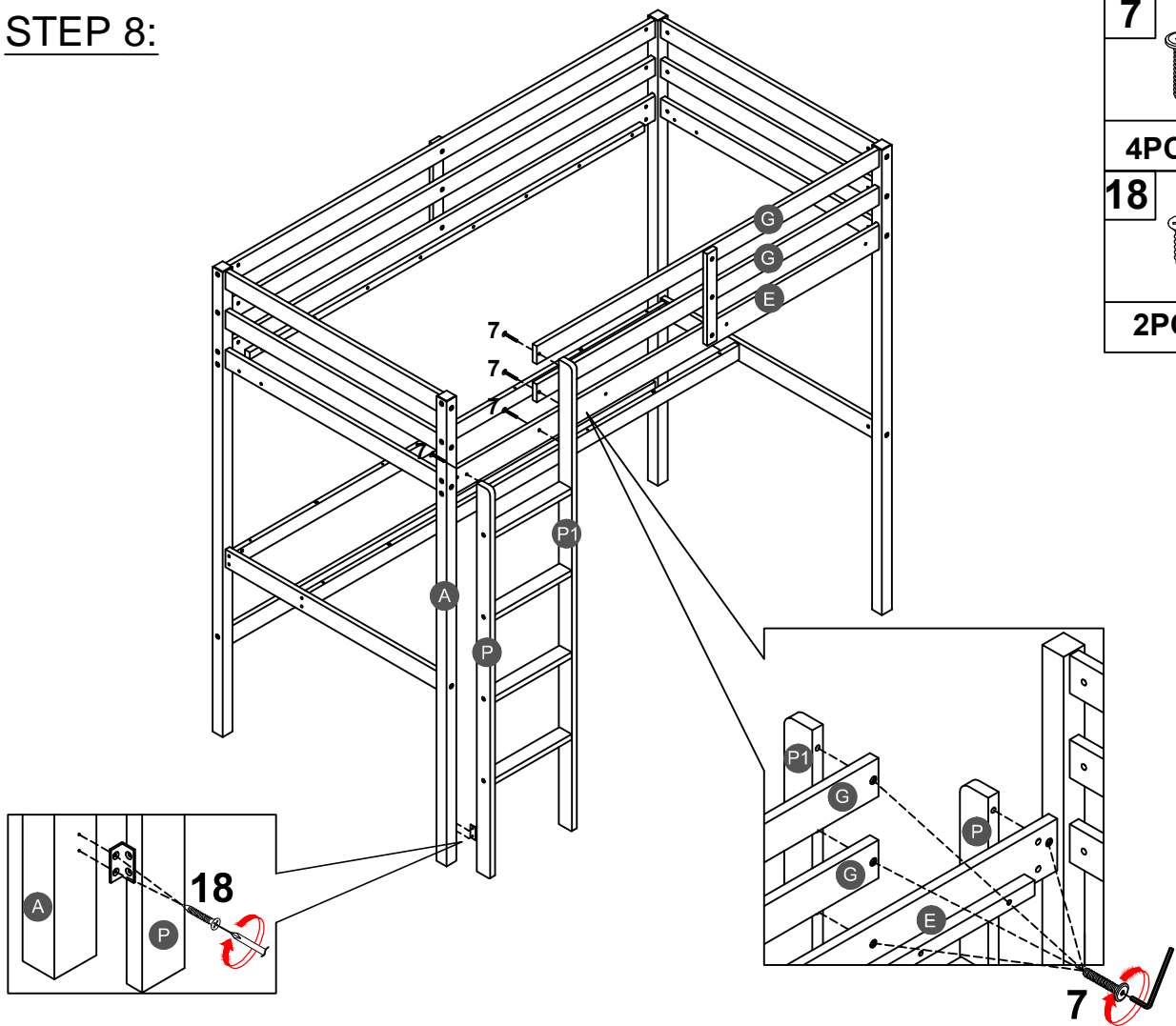
STEP 7:

6		10		16		18	
8PCS		8PCS		1PC		2PCS	






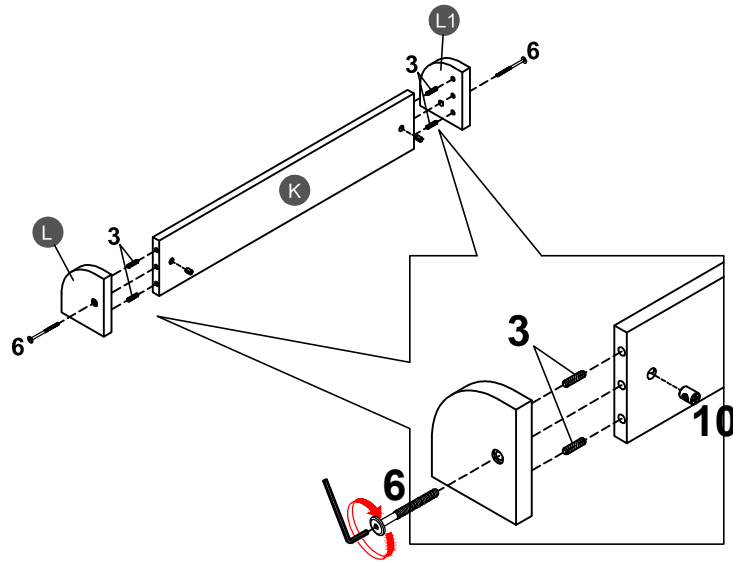
STEP 8:

7	
4PCS	
18	
2PCS	





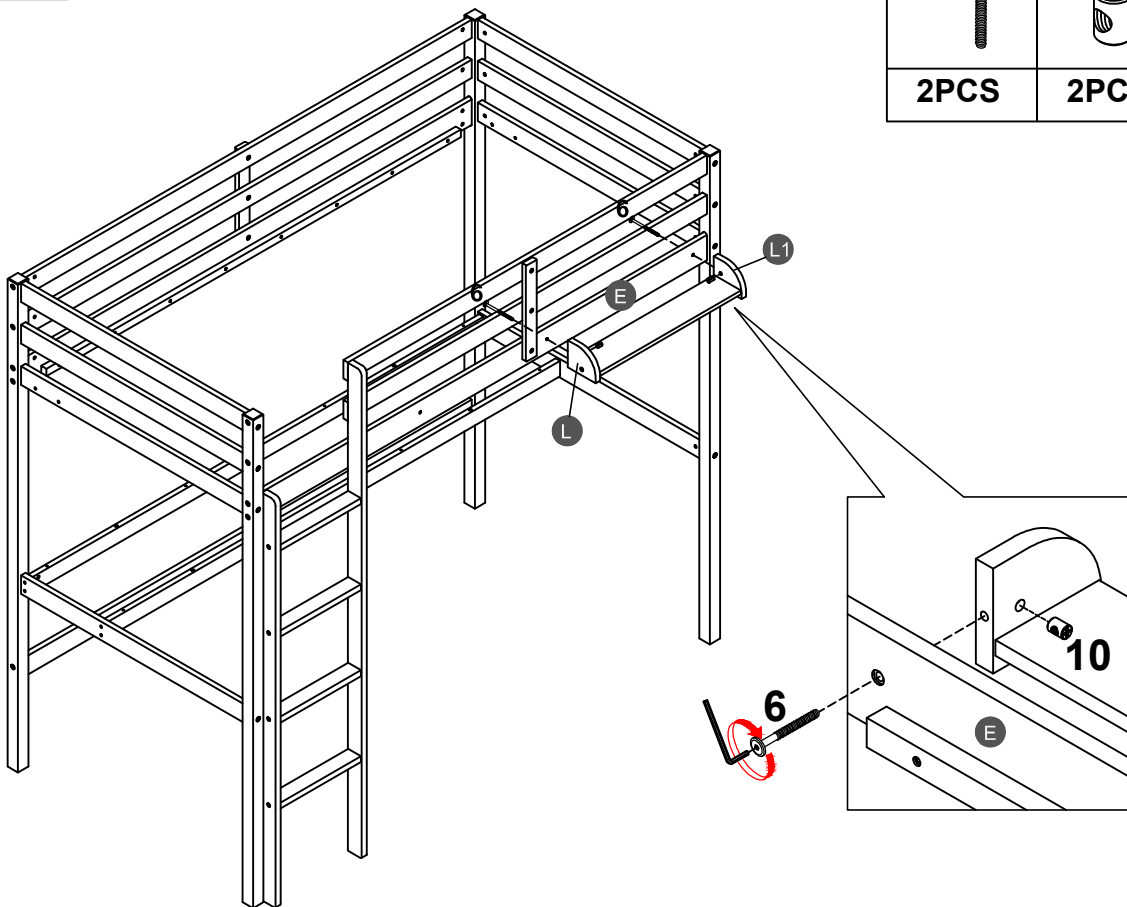
STEP 9:

3		6		10	
4PCS		2PCS		2PCS	



STEP 10:

6		10	
2PCS		2PCS	



STEP 11:

2

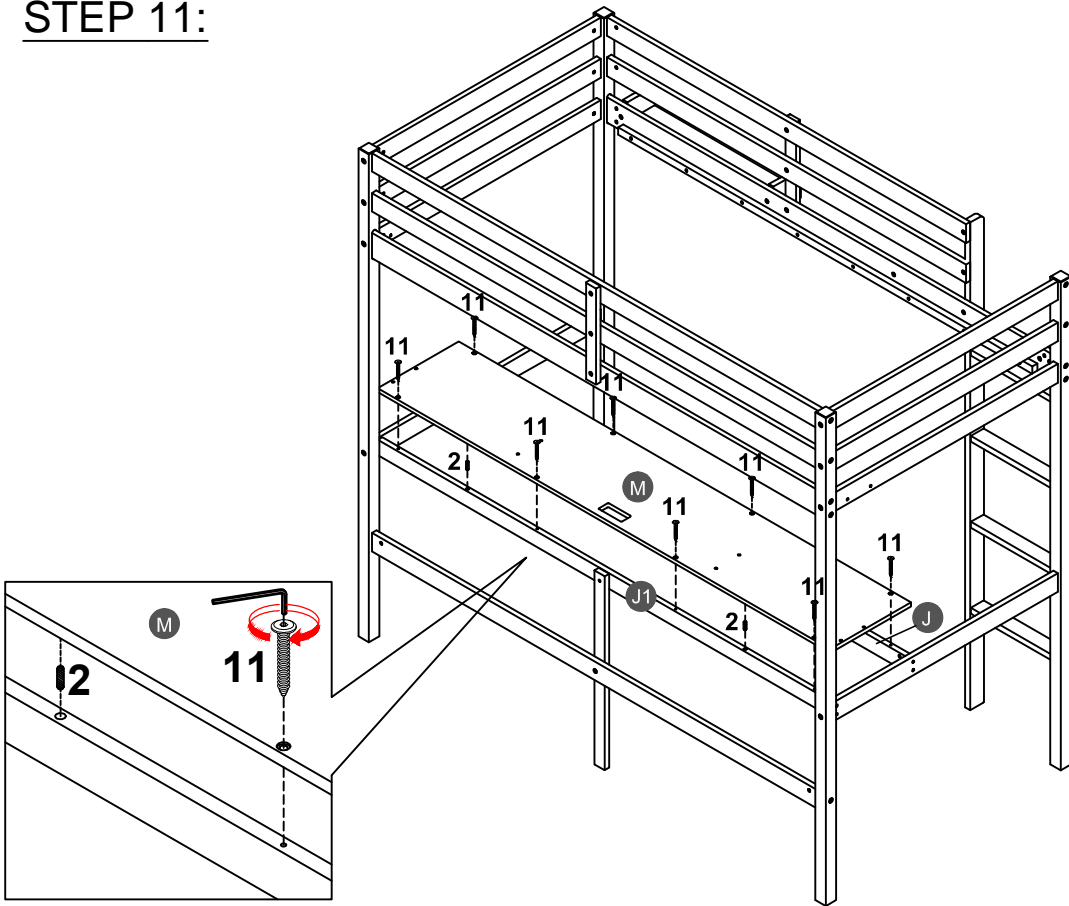


4PCS

11



8PCS



STEP 12:

6



4PCS

9

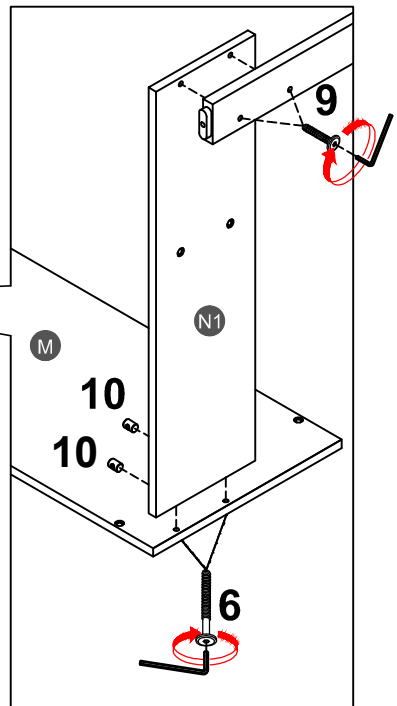
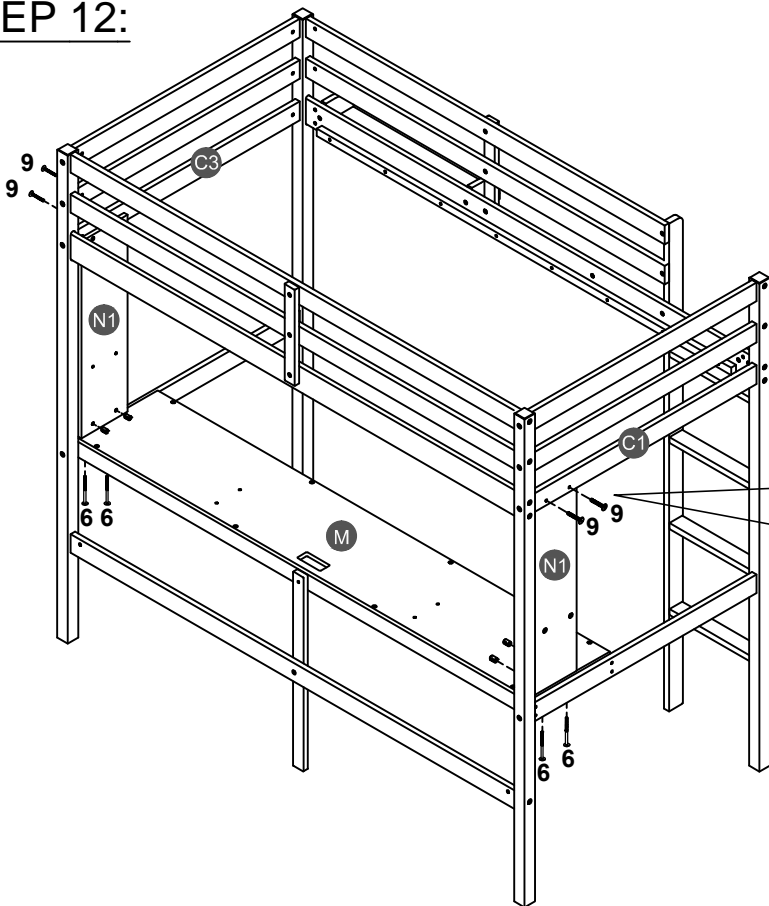


4PCS

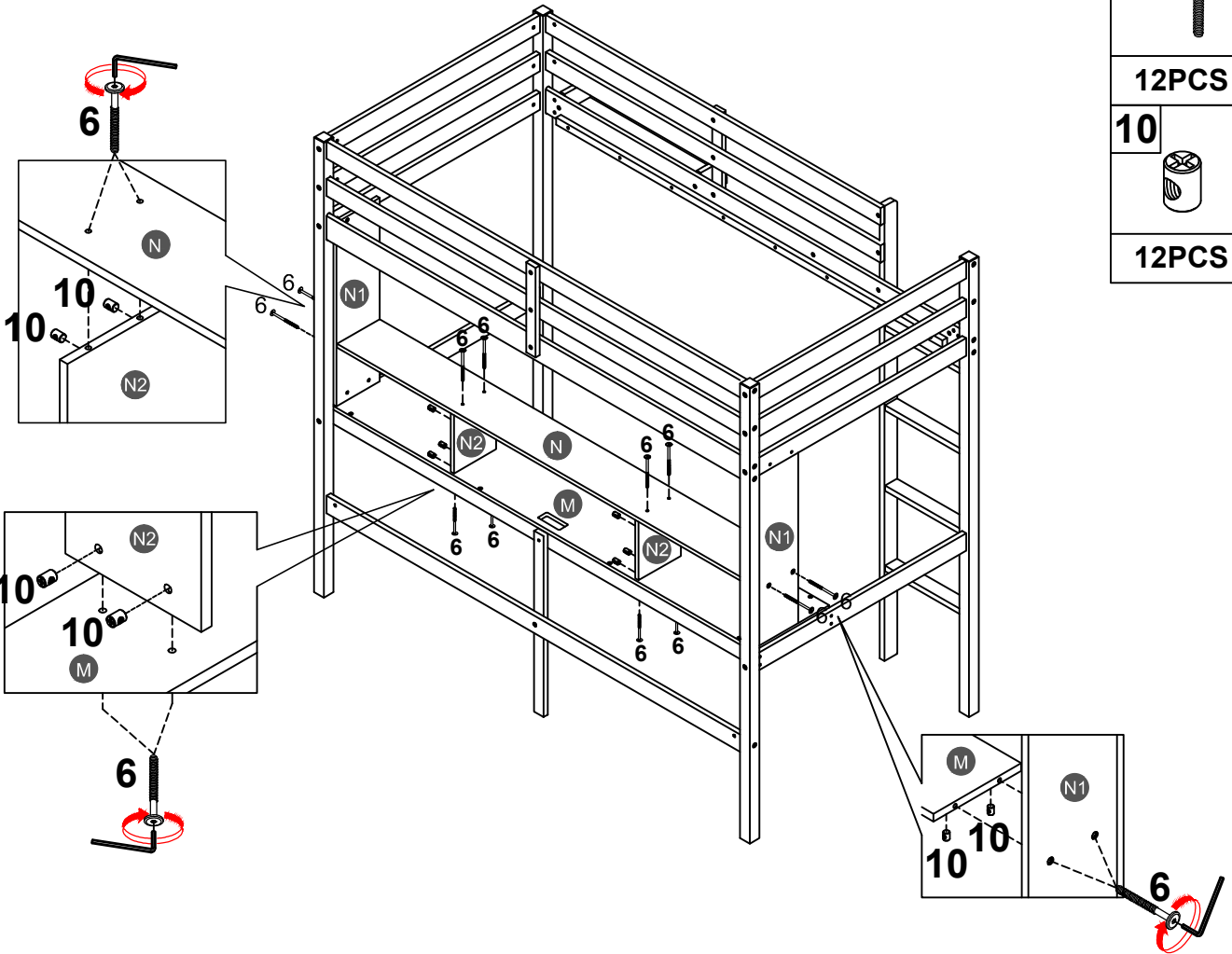
10



4PCS

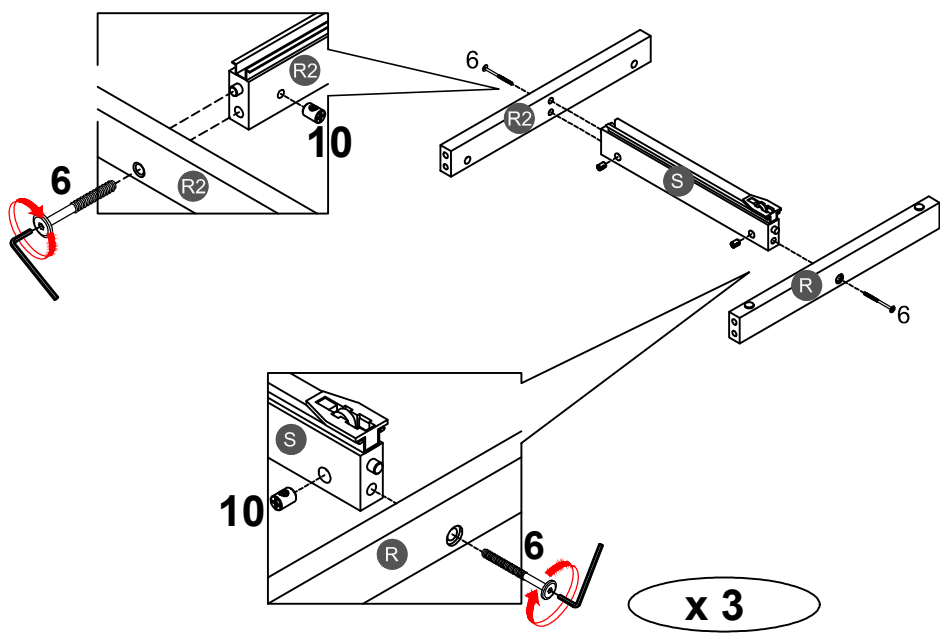


STEP 13:



6	
12PCS	
10	
12PCS	

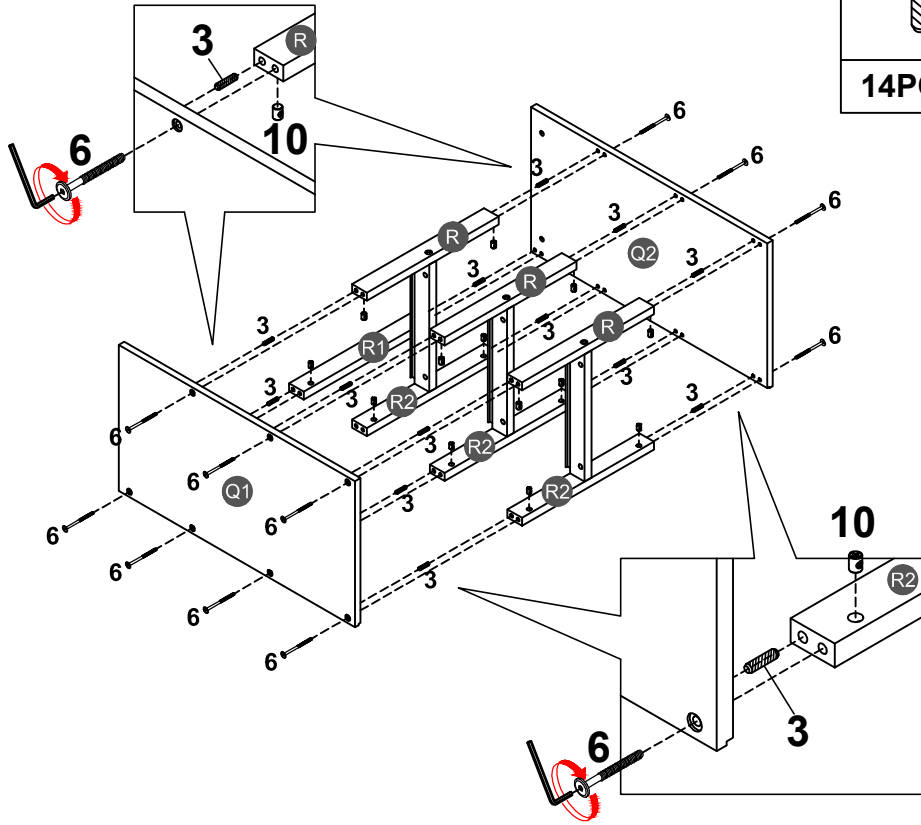
STEP 14:






6		10	
6PCS		6PCS	

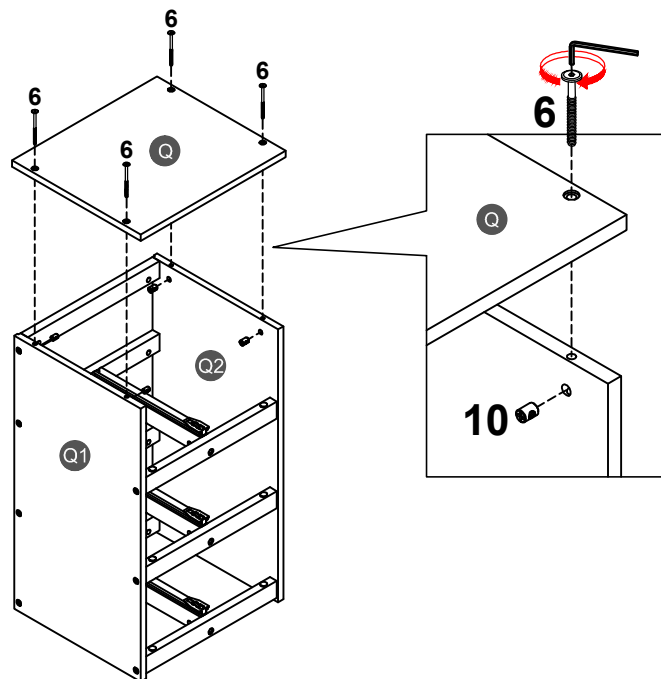
x 3



STEP 15:



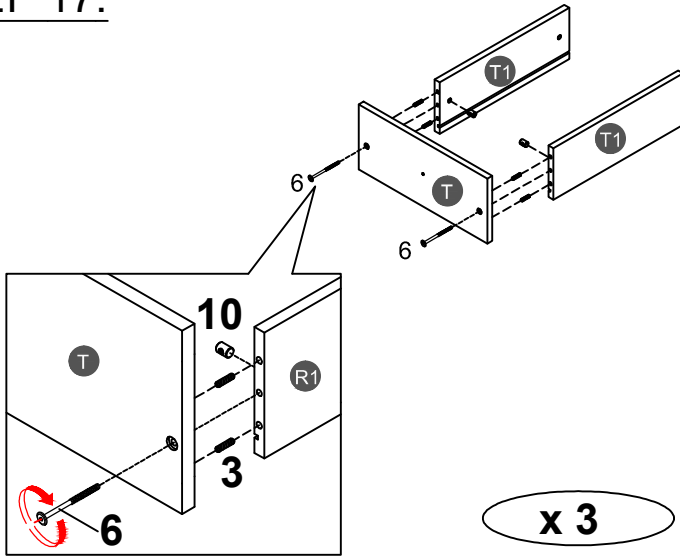
3		6	
14PCS		14PCS	
		10	
		14PCS	




STEP 16:



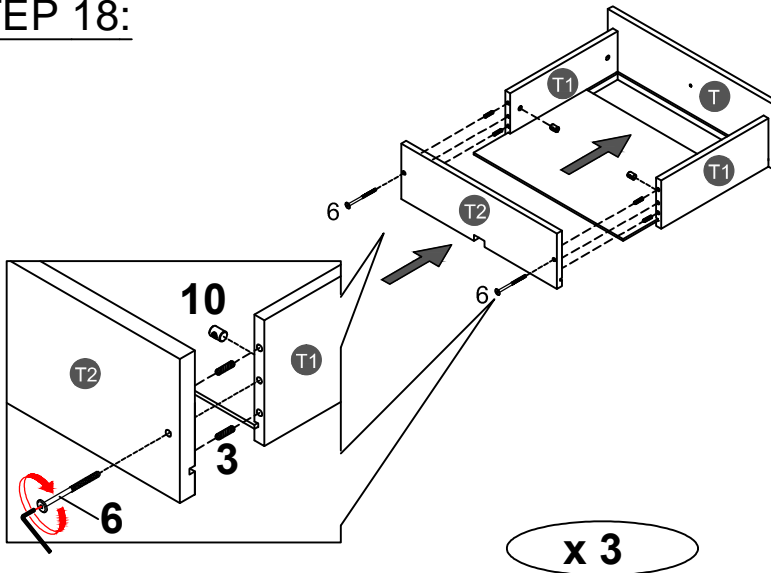
6		10	
4PCS		4PCS	




STEP 17:



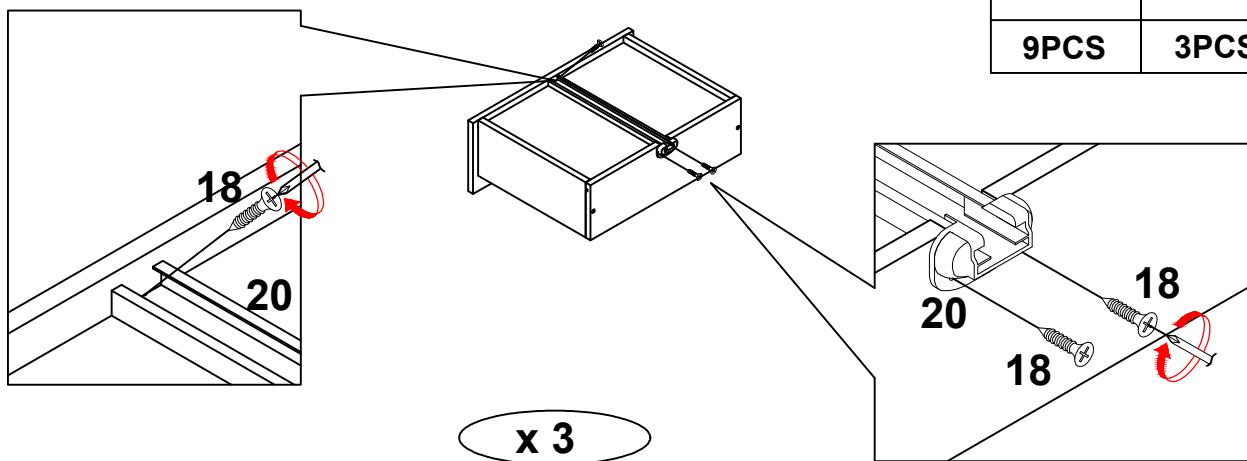
3		6	
12PCS		6PCS	
		10	
		6PCS	



STEP 18:



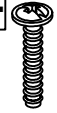
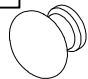
3		6	
12PCS		6PCS	
		10	
		6PCS	

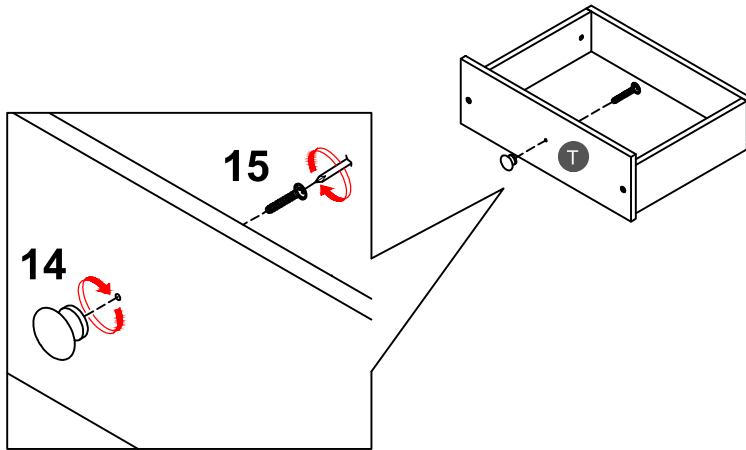
STEP 19:



18		20	
9PCS		3PCS	

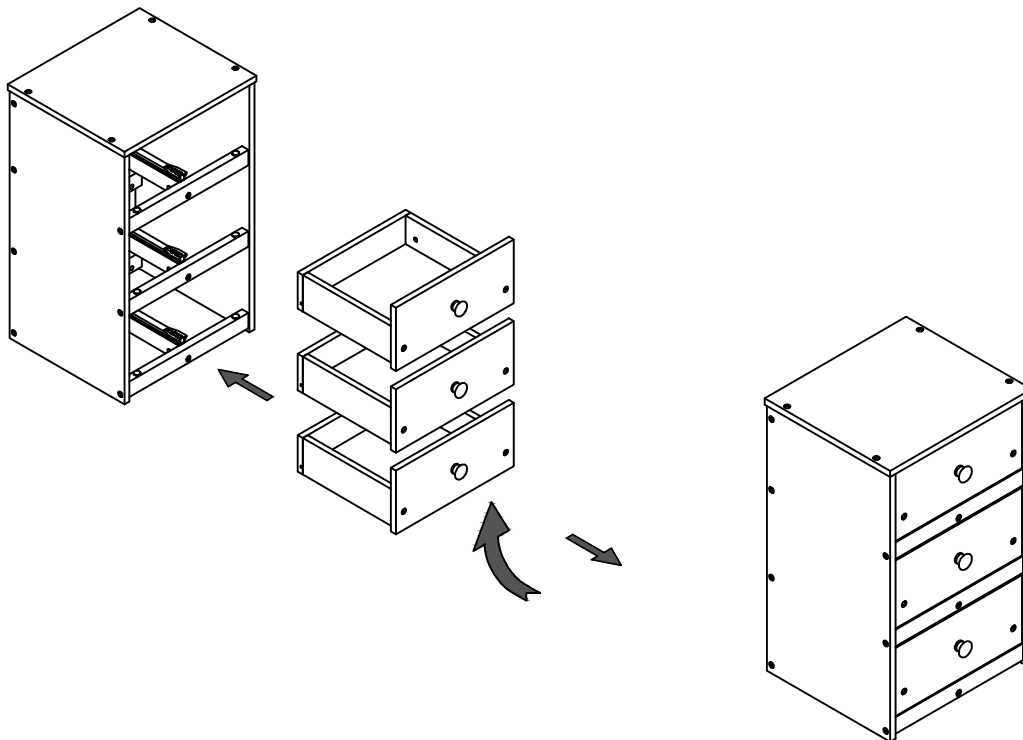
STEP 20:

14		15	
3PCS		3PCS	



x 3

STEP 21:

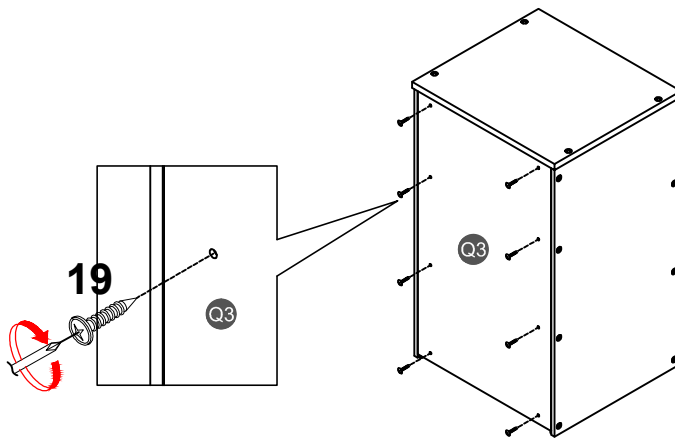


STEP 22:

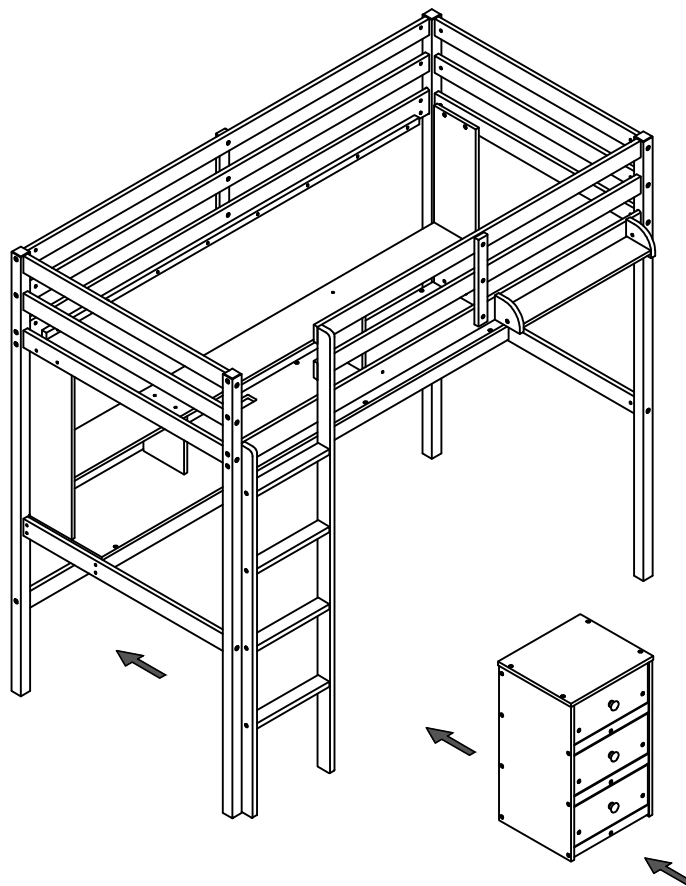
19



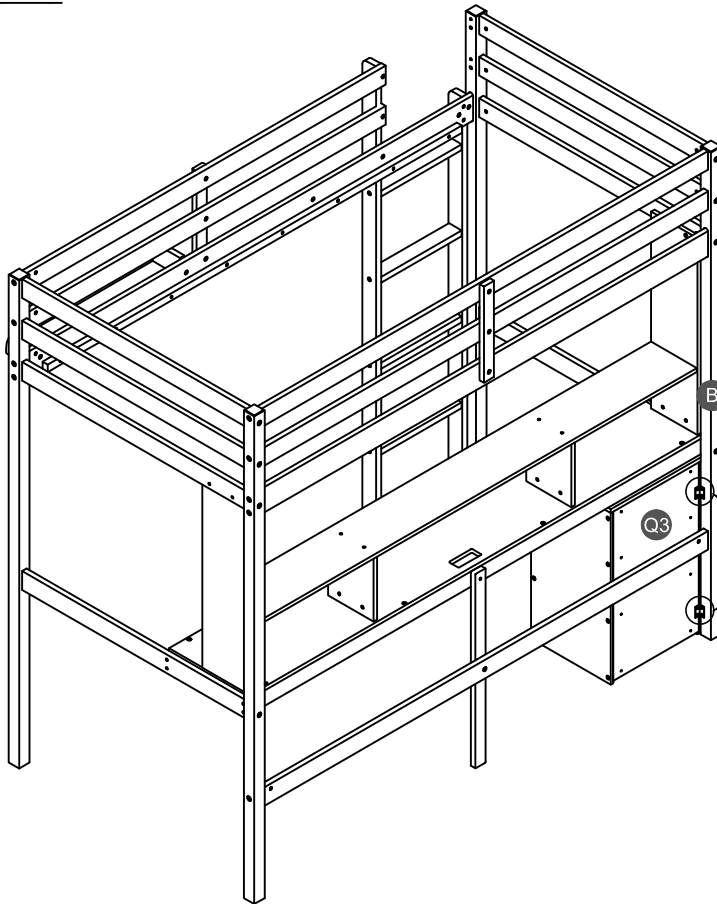
8PCS



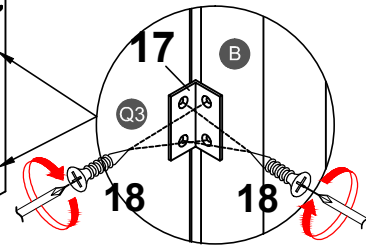
STEP 23:



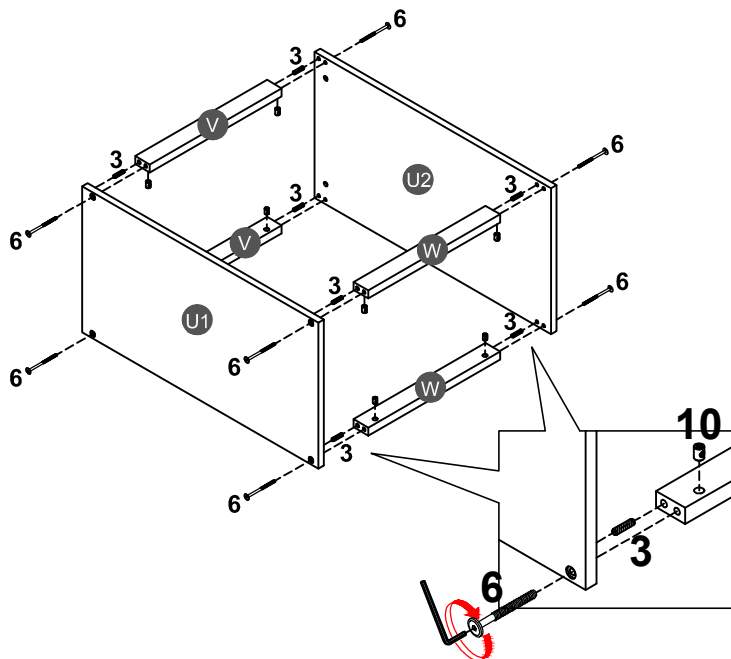
STEP 24:



17	18
2PCS	8PCS



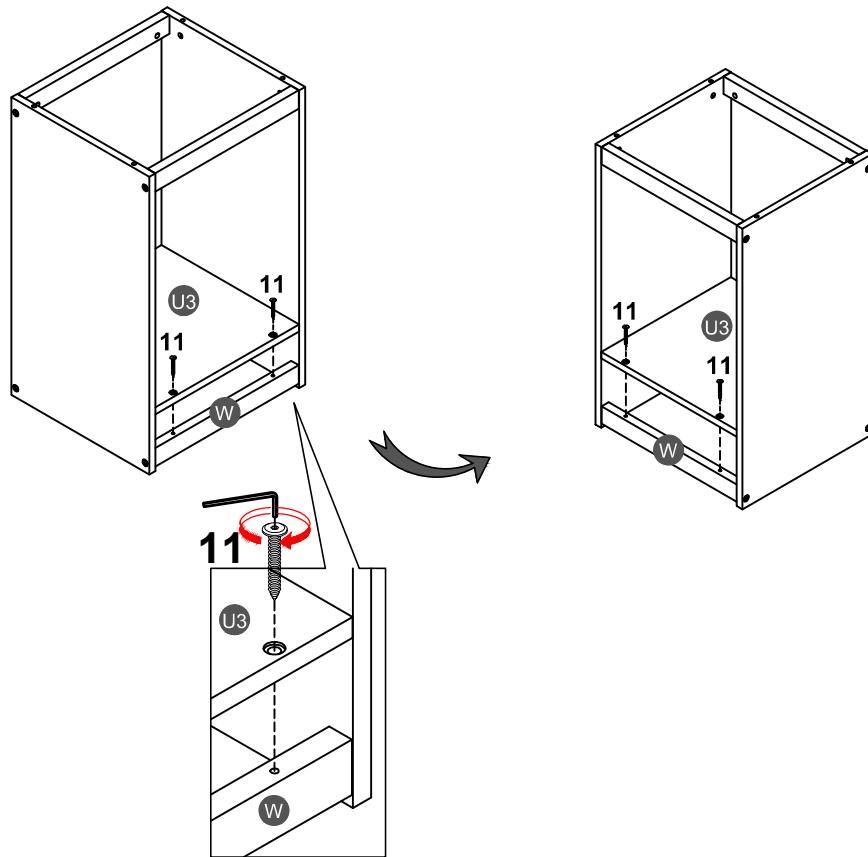
STEP 25:




3	6
8PCS	8PCS

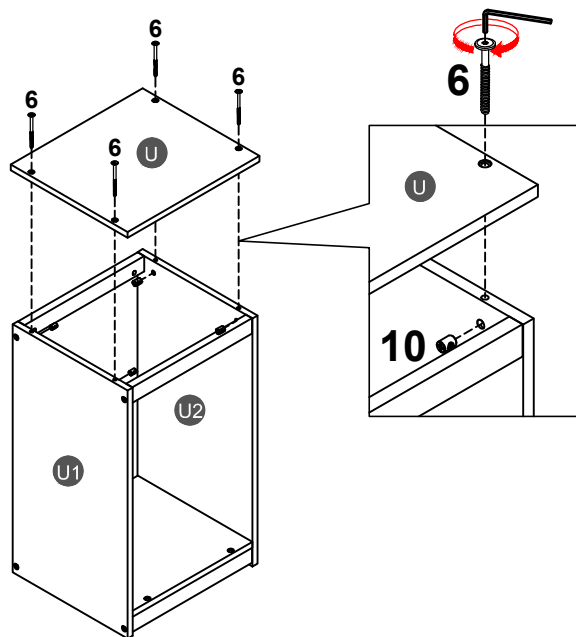
10
8PCS



STEP 26:



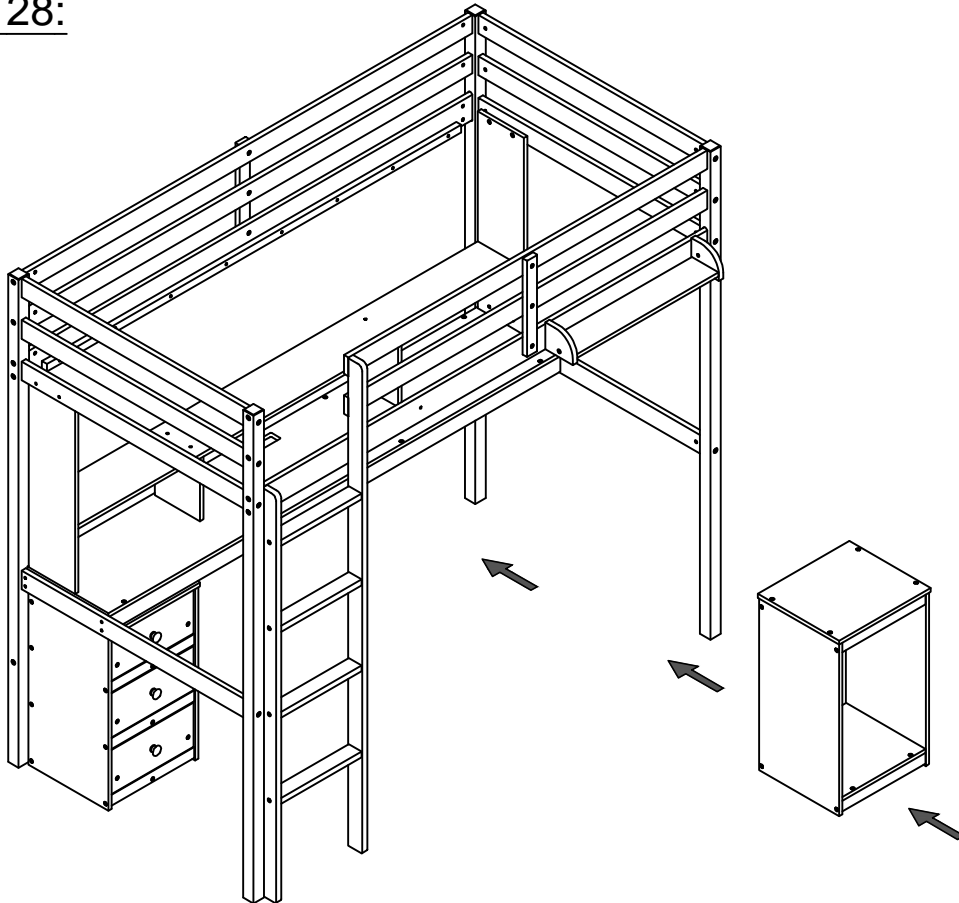
11	
4PCS	

STEP 27:

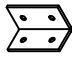



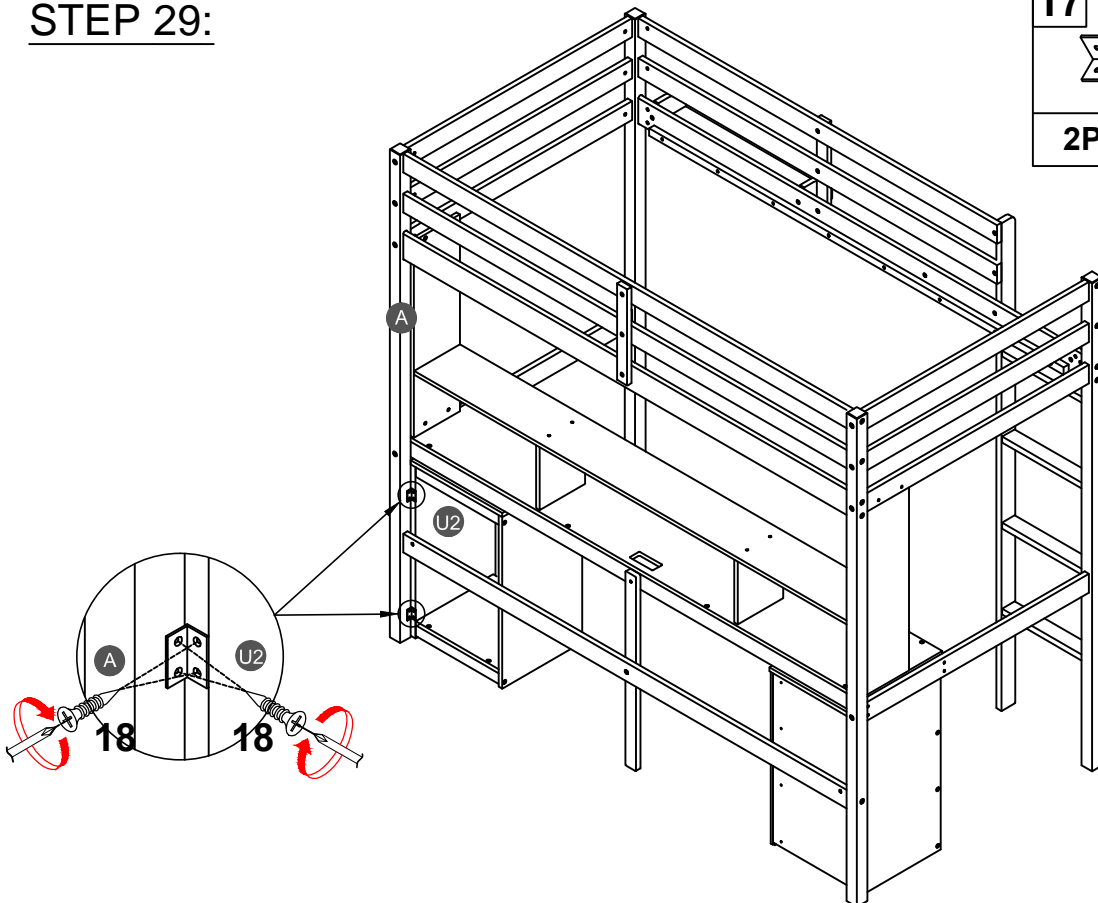
6		10	
4PCS		4PCS	

STEP 28:



STEP 29:

17 	18 
2PCS	8PCS

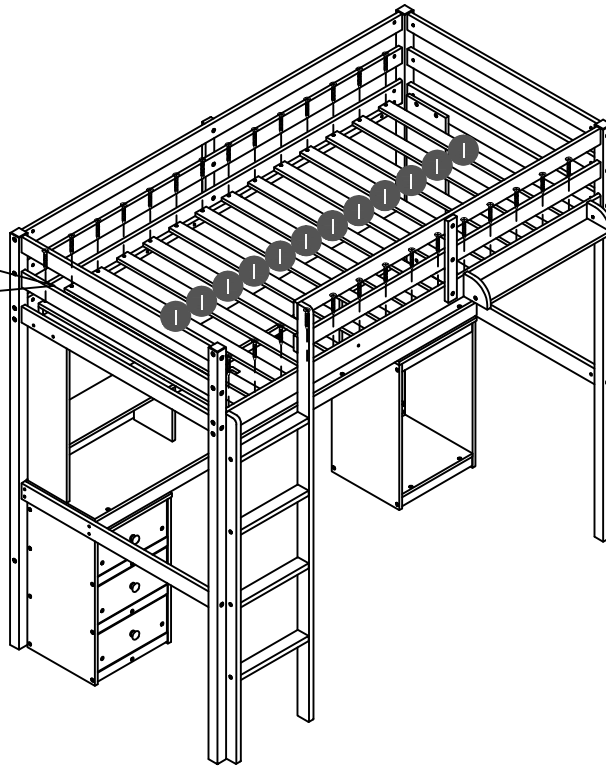
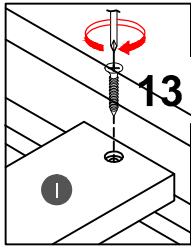


STEP 30:

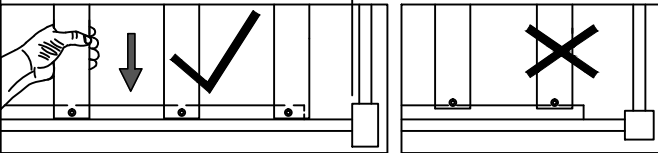
13



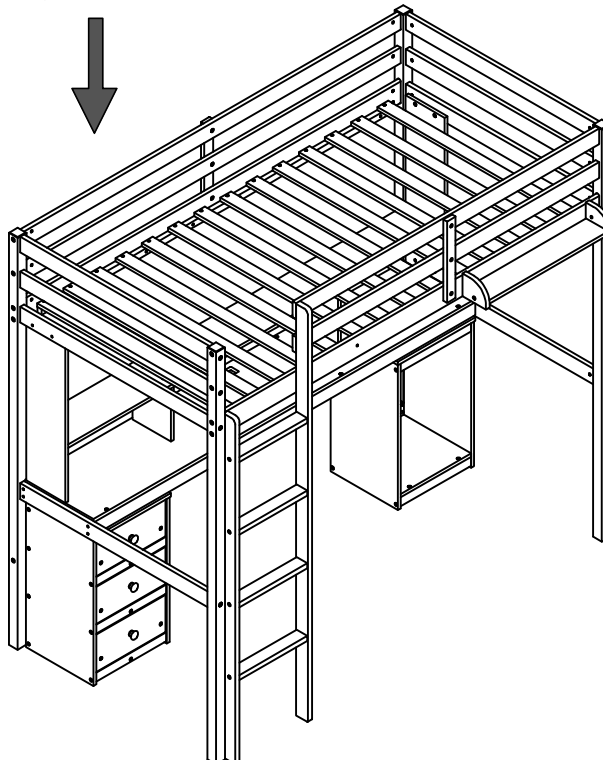
28PCS



(3.1") 79mm (3.3") 84.5mm (2.4") 61mm





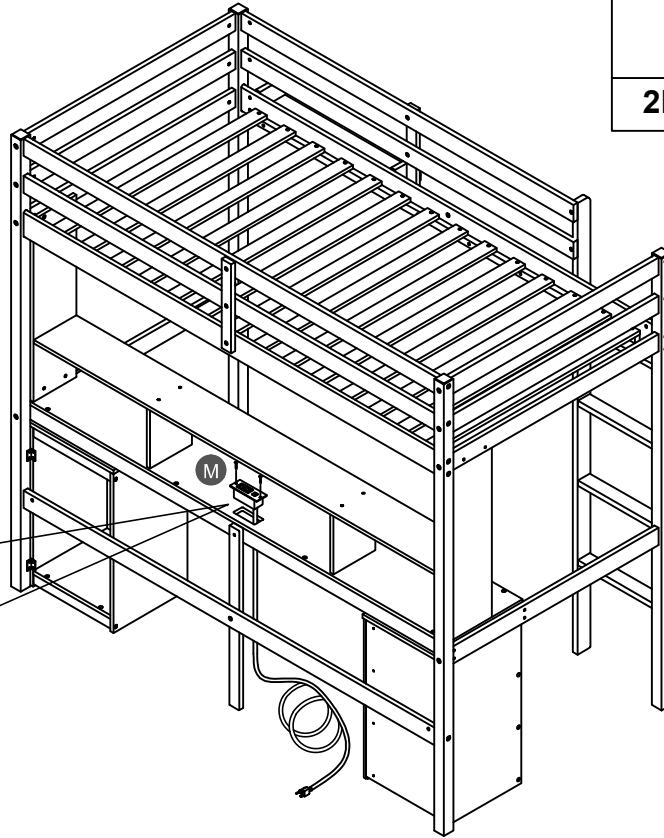
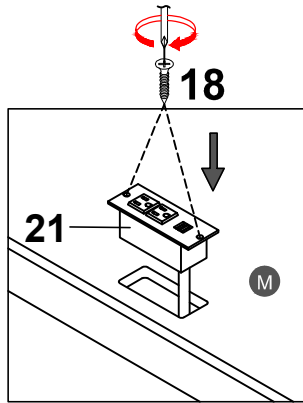
Note: Do not lock the screws of the bed slats to the outermost edge of the bed slats, you need to leave a certain space at the edges, otherwise it will cause the board to break. Do not lock the bed slats on the edge of the wood, please hold firmly before screwing , hold it in place with one hand, then lock the screw.




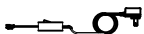
Make sure to tighten all the screws of the bed.

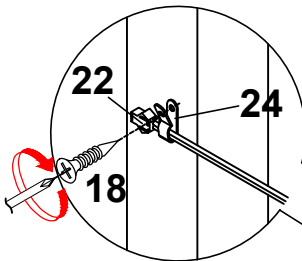
STEP 31:


18	21
	
2PCS	1PC




STEP 32:

18	22
	
1PC	1PC



23

1PC

24

1PC

