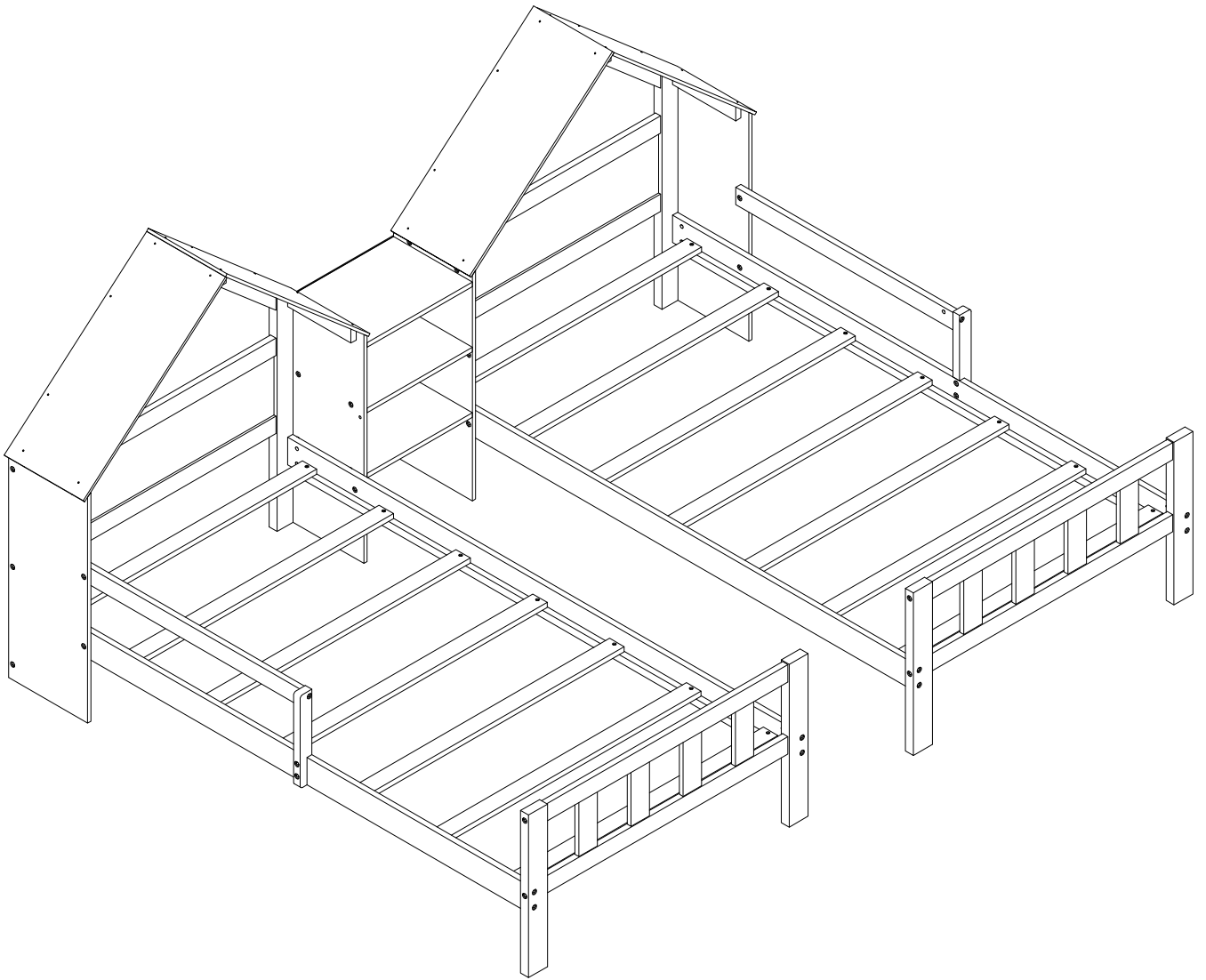


# ASSEMBLY INSTRUCTION

SKU CODE: (WF306928)

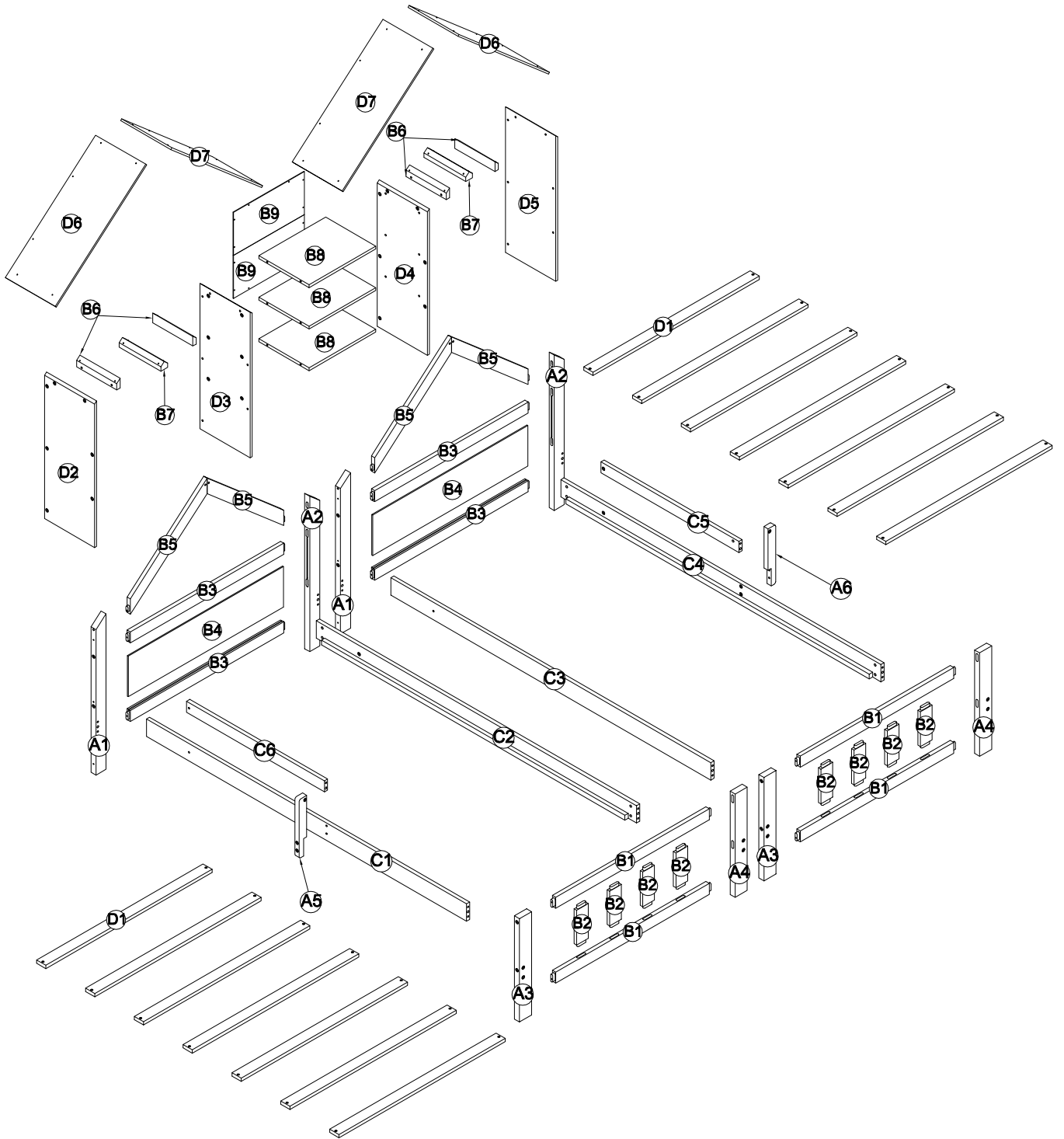


1. This bed is designed for use only mattress (es) meeting the following specifications on the upper bunk, and lower bunk





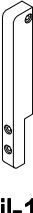
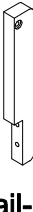
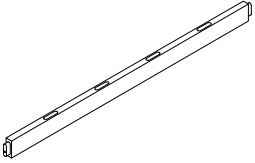

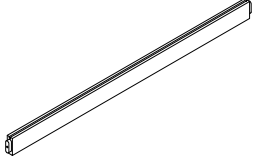
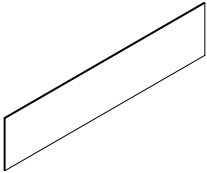
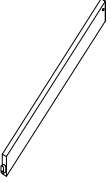
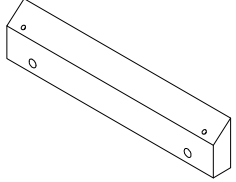
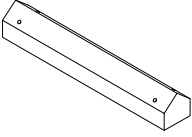
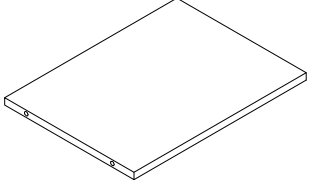
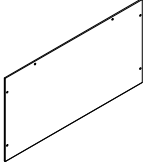
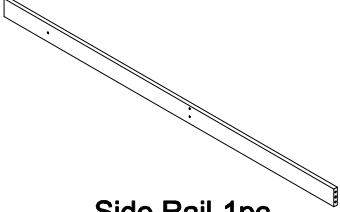
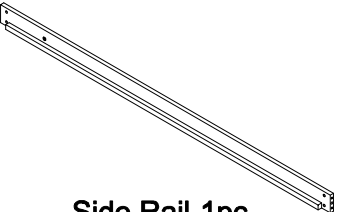
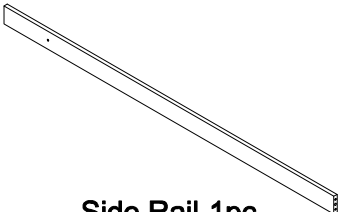
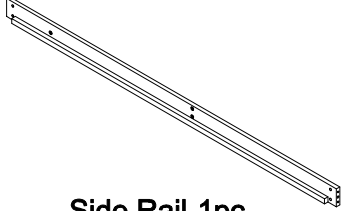
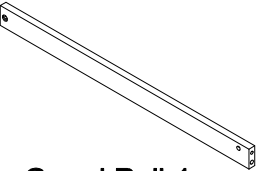
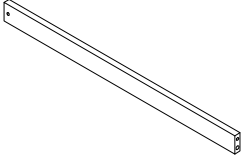
<b>Bed Type</b>	<b>Length</b>	<b>Width</b>	<b>Thickness</b>
<i>Full Standard</i>	<i>74" - 75"</i>	<i>38 1/2"</i>	<i>8" max</i>

2. Replacement parts, including additional guardrails, maybe obtained from any of our (GIGACLOUD TECHNOLOGY (USA) INC. 18961 ARENTH AVENUE CITY OF INDUSTRY, CA, 91748) dealers
3. Follow the information on the warnings appearing on the upper bunk bed end structure and on the carton. Do not remove warning label from bed
4. Always use the recommended size mattresses or mattress supports, or both, to help prevent the likelihood of entrapment or falls.
5. Surface of mattress must be at least 5" (127mm) below the upper edge of guardrails
6. Do not allow children under 6 years of age to use the upper bunk.
7. Periodically check and ensure that the guardrail, ladder, and other components are in their proper position, free from damage, and that all connectors are tight.
8. Do not allow horseplay on or under the bed and prohibit jumping on the bed.
9. Always use the ladder for entering and leaving the upper bunkAlways use the ladder for entering and leaving the upper bunk.
10. Do not use substitute part. Contact the manufacture or dealer for replacement part
11. Use of a night light may provide added safety precaution for a child using the upper bunk..
12. Always use guardrails on both long sides of the upper bunk. If the bunk bed will be placed next to the wall, the guardrail that runs the full length of the bed should be placed against the wall to prevent entrapment between the bed and wall.
13. The use of water or sleep flotation mattresses is prohibited
14. STRANGULATION HAZARD - Never attach or hang items to any part of the bunk bed that are not designed for use with the bed; for example, but not limited to, hook, belts and jump ropes
15. Keep these instruction for future reference
16. Prohibit more than one person on upper bunk
17. We recommend assembling your bunk bed on the shipping carton to protect your floor or carpet
18. Be certain all staples are out of the box before beginning assembly on the shipping carton.

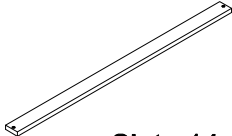
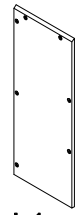
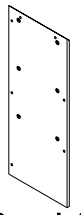
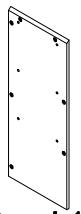
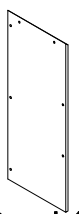
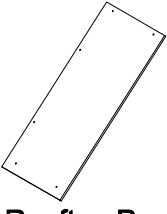
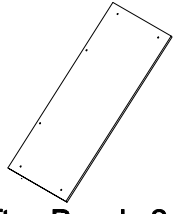
# ASSEMBLY INSTRUCTION



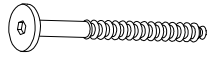
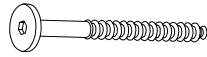
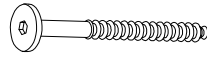
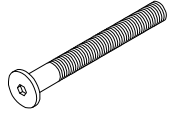
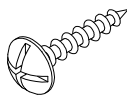
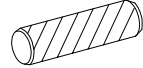
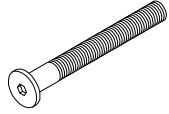

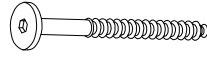
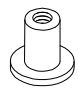
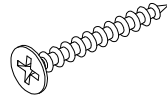
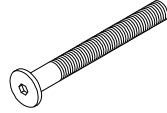
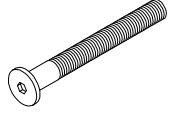
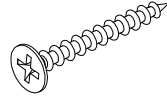

# Part List & Hardware List ( Box-WF306928)

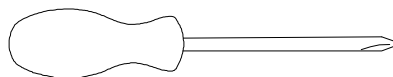
<p><b>A1</b></p>  <p>Legs-2pcs</p>	<p><b>A2</b></p>  <p>Legs-2pcs</p>	<p><b>A3</b></p>  <p>Legs-2pcs</p>
<p><b>A4</b></p>  <p>Legs-2pcs</p>	<p><b>A5</b></p>  <p>Rail-1pc</p>	<p><b>A6</b></p>  <p>Rail-1pc</p>
<p><b>B1</b></p>  <p>Wood Bars-4pcs</p>	<p><b>B2</b></p>  <p>Wood Bars-8pcs</p>	<p><b>B3</b></p>  <p>Wood Bars-4pcs</p>
<p><b>B4</b></p>  <p>Panels-2pcs</p>	<p><b>B5</b></p>  <p>Wood Bars-4pcs</p>	<p><b>B6</b></p>  <p>Clients-4pcs</p>
<p><b>B7</b></p>  <p>Clients-2pcs</p>	<p><b>B8</b></p>  <p>Panels-3pcs</p>	<p><b>B9</b></p>  <p>Panels-2pcs</p>
<p><b>C1</b></p>  <p>Side Rail-1pc</p>	<p><b>C2</b></p>  <p>Side Rail-1pc</p>	<p><b>C3</b></p>  <p>Side Rail-1pc</p>
<p><b>C4</b></p>  <p>Side Rail-1pc</p>	<p><b>C5</b></p>  <p>Guard Rail-1pc</p>	<p><b>C6</b></p>  <p>Guard Rail-1pc</p>

# Part List & Hardware List ( Box-WF306928)

<b>D1</b>  Slats-14pcs	<b>D2</b>  Panel-1pc	<b>D3</b>  Panel-1pc
<b>D4</b>  Panel-1pc	<b>D5</b>  Panel-1pc	<b>D6</b>  Rooftop Panels-2pcs
<b>D7</b>  Rooftop Panels-2pcs		

# Hardware List ( Box WF306928)

<p><b>1</b></p>  <p>Screws 1/4"x80 16pcs</p>	<p><b>2</b></p>  <p>Screws 1/4"x70 4pcs</p>	<p><b>3</b></p>  <p>Screws 1/4"x50 4pcs</p>
<p><b>4</b></p>  <p>Ø1/4" x 20 mm Hex-Head bolts 26pcs</p>	<p><b>5</b></p>  <p>M4 x15 mm Wood Screws 13pcs</p>	<p><b>6</b></p>  <p>Ø10 x 40 mm Wood dowel 10pcs</p>
<p><b>7</b></p>  <p>Ø1/4" x 80 mm Hex-Head bolts 16pcs</p>	<p><b>8</b></p>  <p>Ø1/4" x 13 mm Horizontal-Hole bolts 18pcs</p>	<p><b>9</b></p>  <p>Screws 1/4"x30 12pcs</p>
<p><b>10</b></p>  <p>Ø1/4" x 15 mm Canopy head though -10pcs</p>	<p><b>11</b></p>  <p>M4 x 25 mm Wood Screws 24pcs</p>	<p><b>12</b></p>  <p>Ø1/4" x 70 mm Hex-Head bolts 2pcs</p>
<p><b>13</b></p>  <p>Ø1/4" x 30 mm Hex-Head bolts 4pcs</p>	<p><b>14</b></p>  <p>M4 x 30 mm Wood Screws 28pcs</p>	<p><b>13</b></p>  <p>Allen Key 1pc</p>



**Assembly Tools Required (Not Included)**

# STEP 1: Following below illustration:

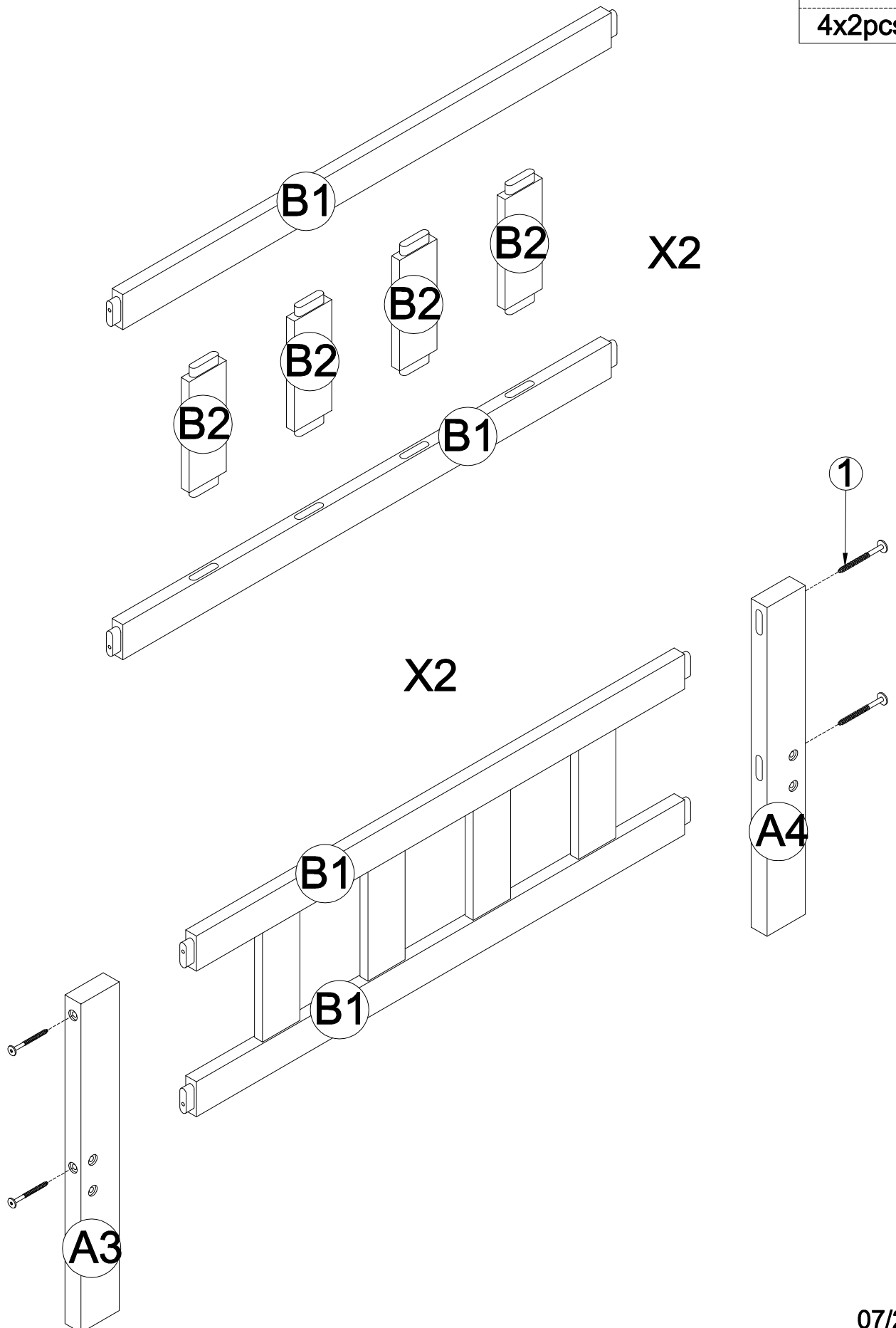
1.1: Fixing parts B2(x4) with parts B1(x2)

1.2: Using hardware #1 connect A3,A4 Legs with B1(x2) Wood bars

1



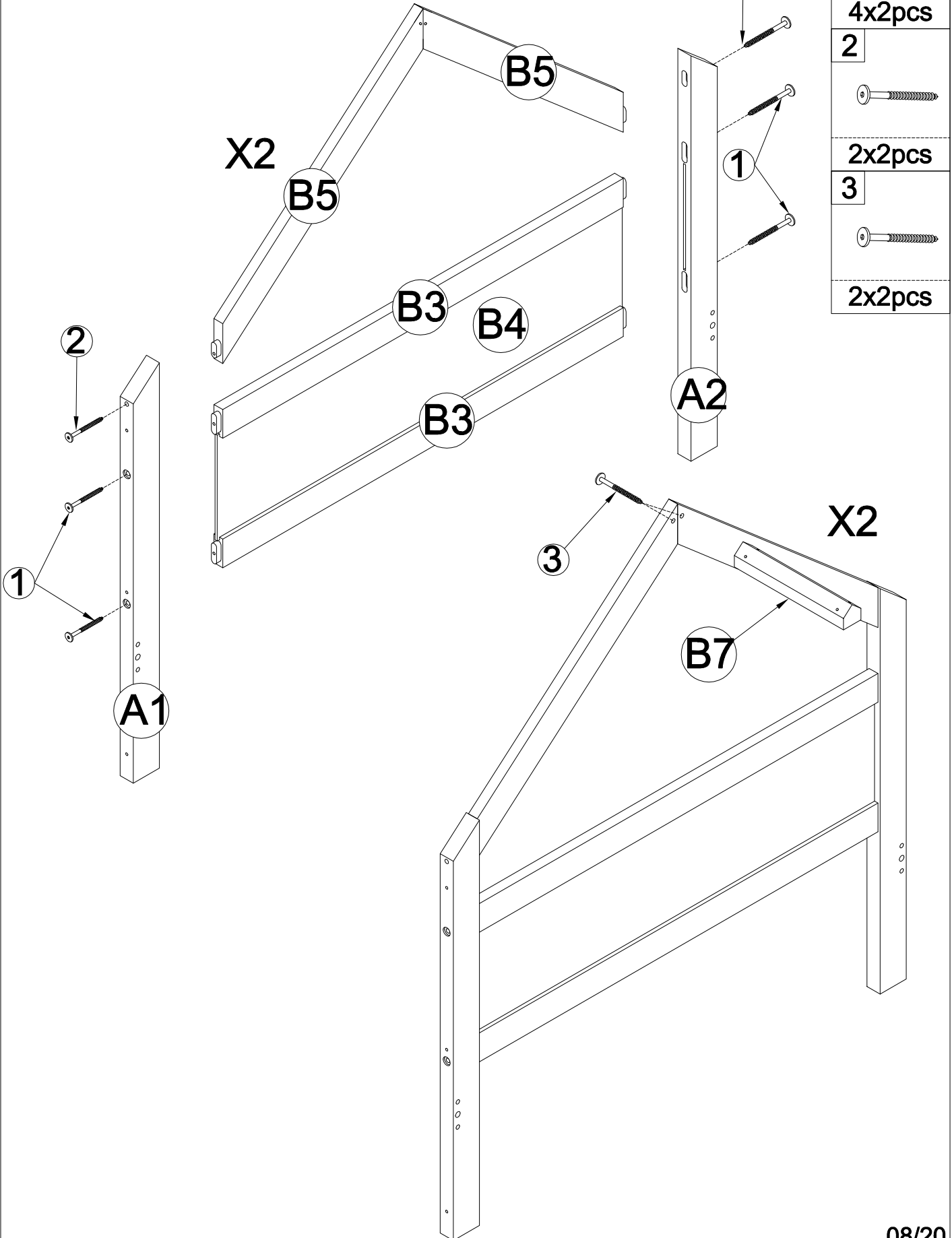
4x2pcs



# STEP 2: Following below illustration:

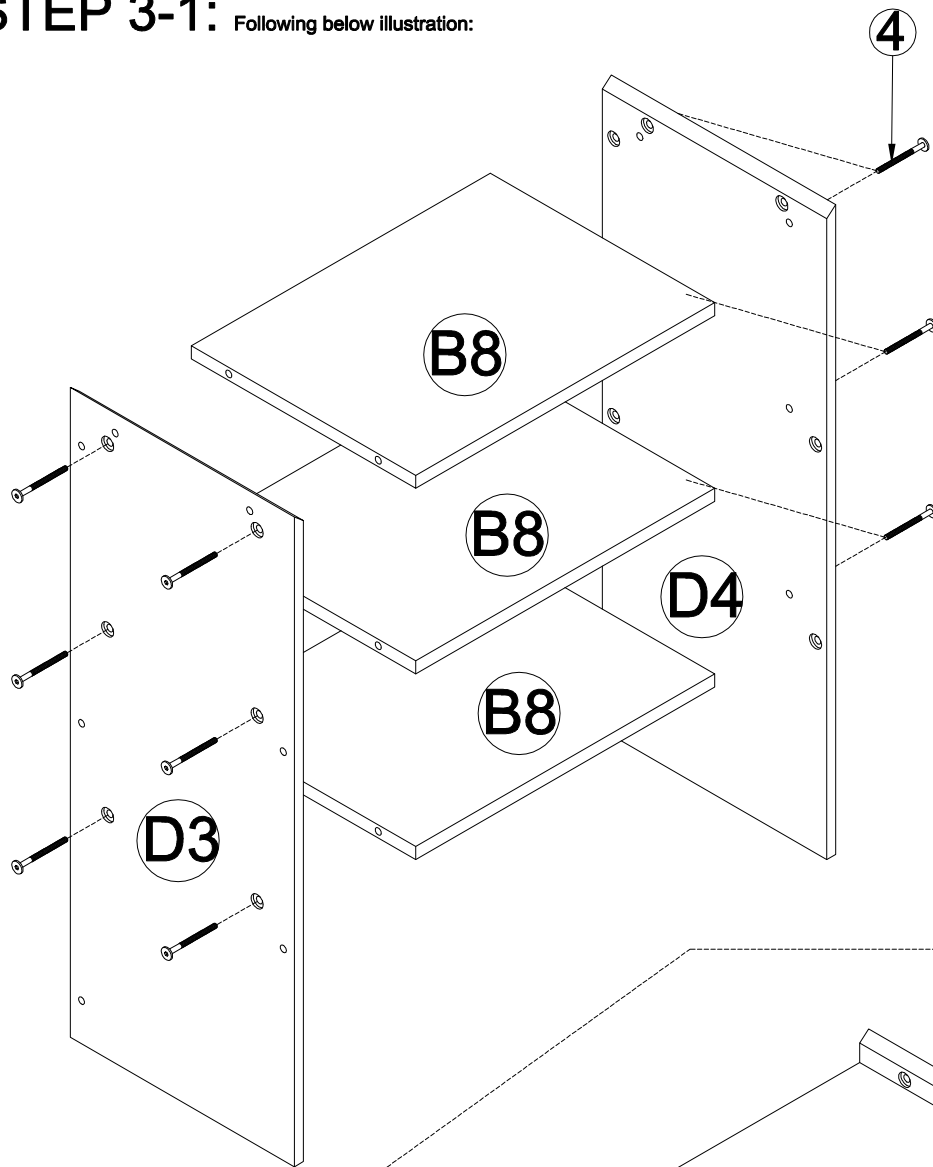
2.1: Using hardware #1, #2 connect A1, A2 Legs with B3(x2), B5(x2) Wood bars and B4 Panel

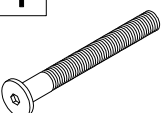
2.2: Using hardware #3 connect B7 Client with Frame (completed on step 2.1)

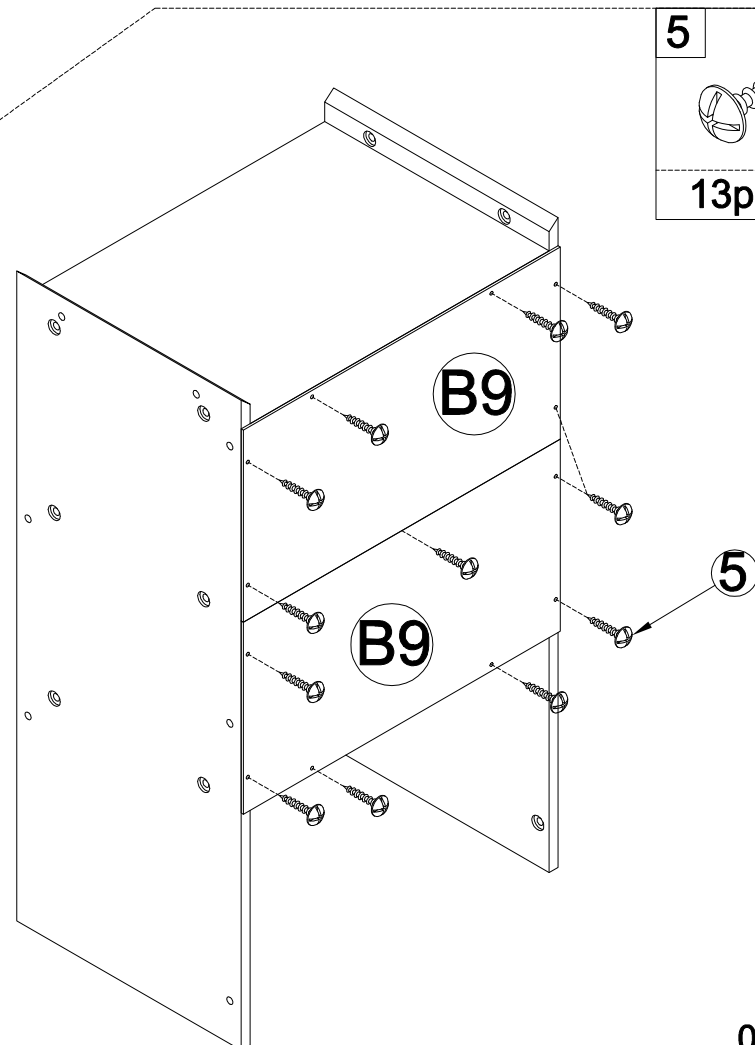


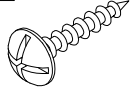


**STEP 3-1:** Following below illustration:



4

12pcs

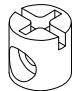
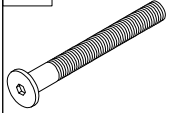



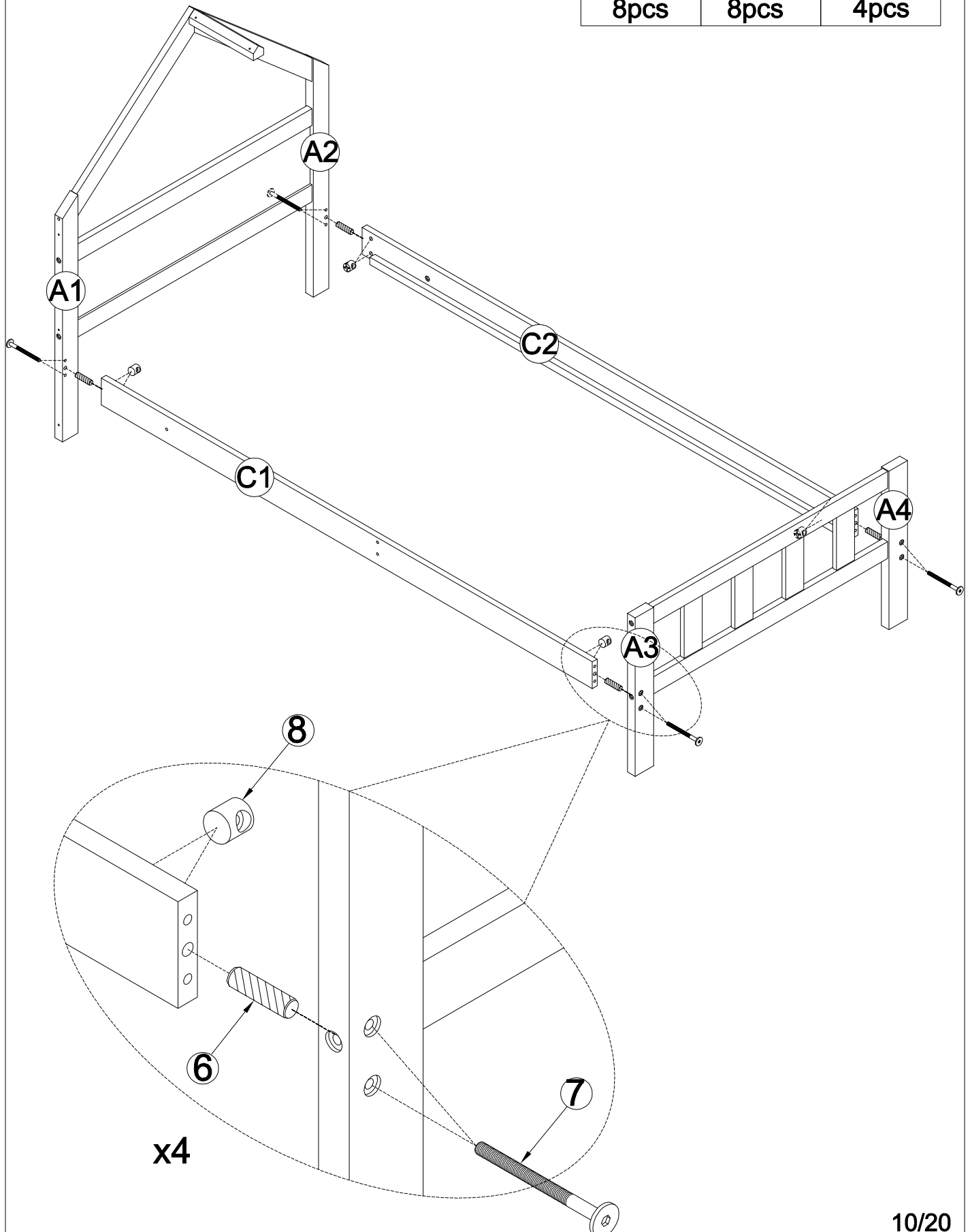
5

13pcs

**STEP 3-2:** Following below illustration:

# STEP 4: Following below illustration:


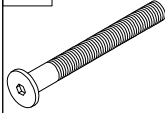
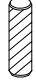
-Using hardware #7,#8 and dowel #6 to Assembly Frames (Completed on step 1.2,step 2.2)  
with C1,C2 Side Rails  
-Look at detail view for more detail

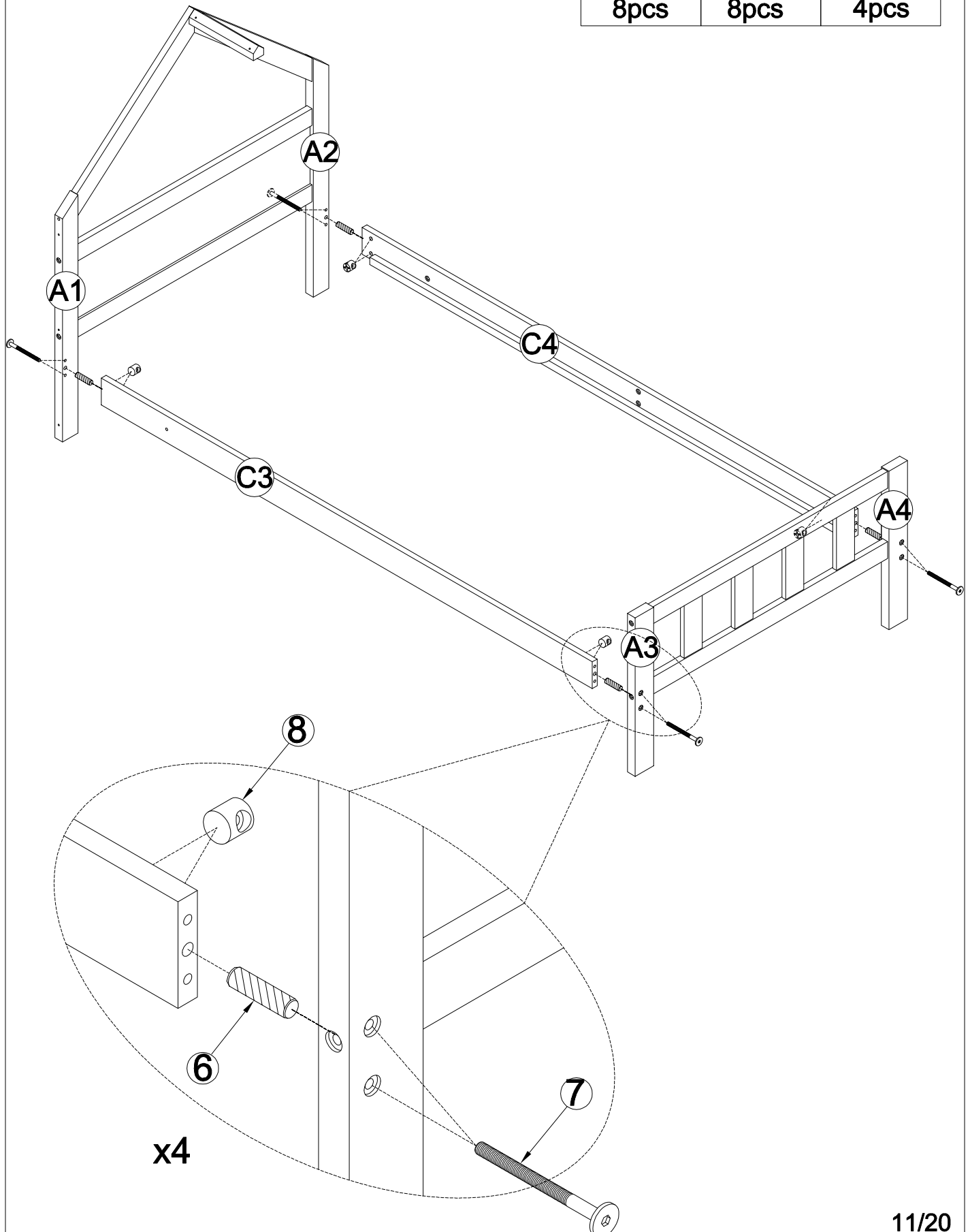
8		7		6	
8pcs		8pcs		4pcs	



# STEP 5: Following below illustration:


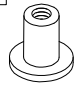
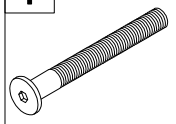
-Using hardware #7, #8 and dowel #6 to Assembly Frames (Completed on step 1.2, step 2.2)  
with C3, C4 Side Rails  
-Look at detail view for more detail

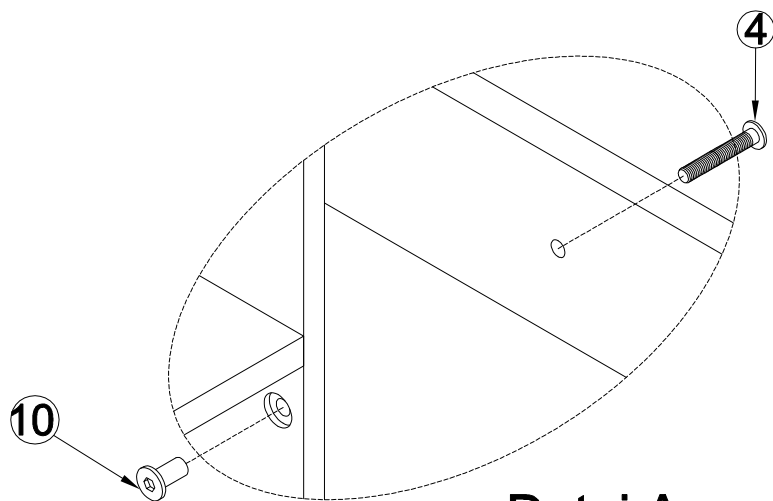
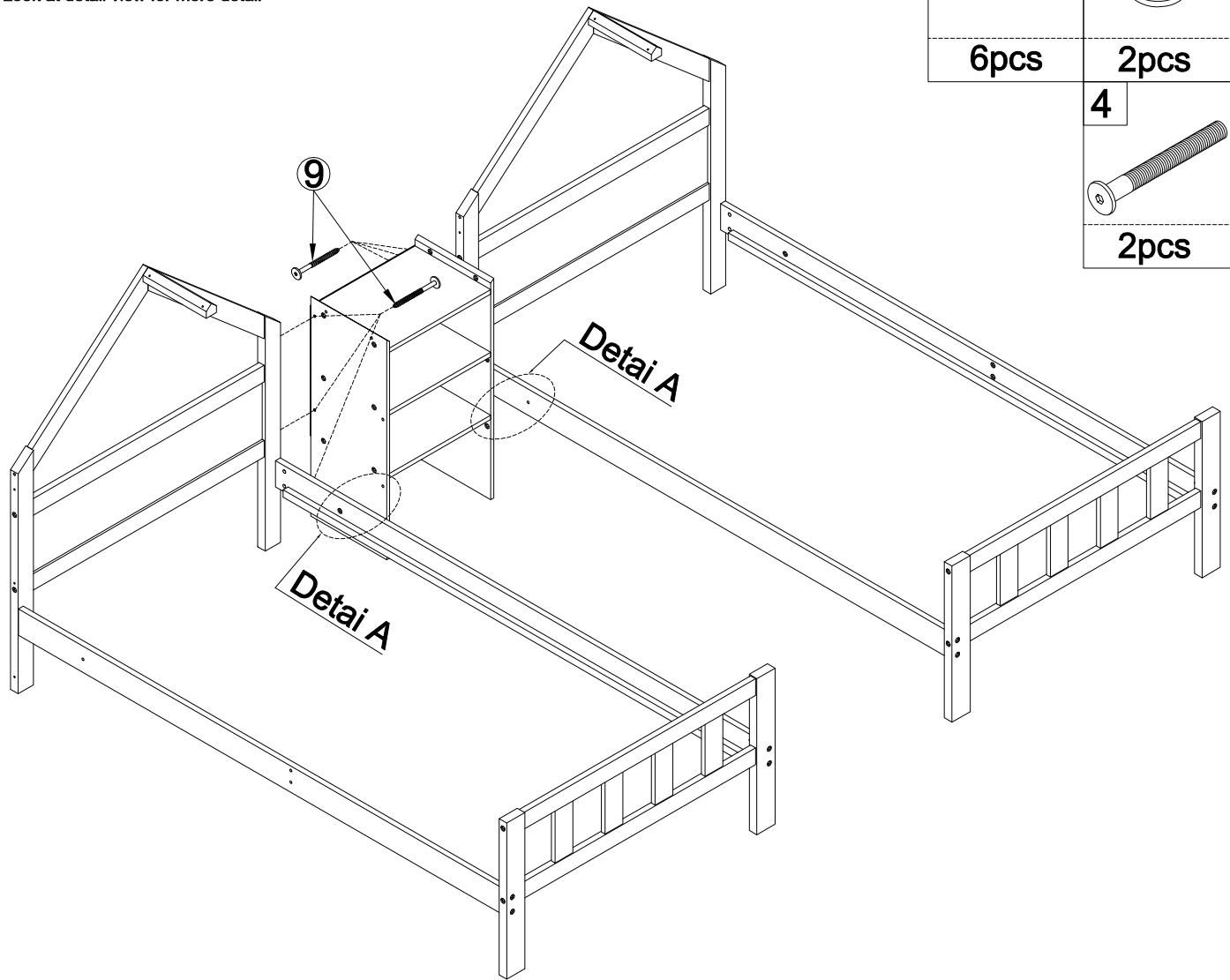
8		7		6	
8pcs		8pcs		4pcs	



# STEP 6: Following below illustration:

- Using hardware #4,#9,#10 to Assembly Frames (Completed on step 4,step 5) with Frame (Completed on step 3-2)
- Look at detail view for more detail

<b>9</b> 	<b>10</b> 
<b>6pcs</b>	<b>2pcs</b>
	<b>4</b> 
	<b>2pcs</b>

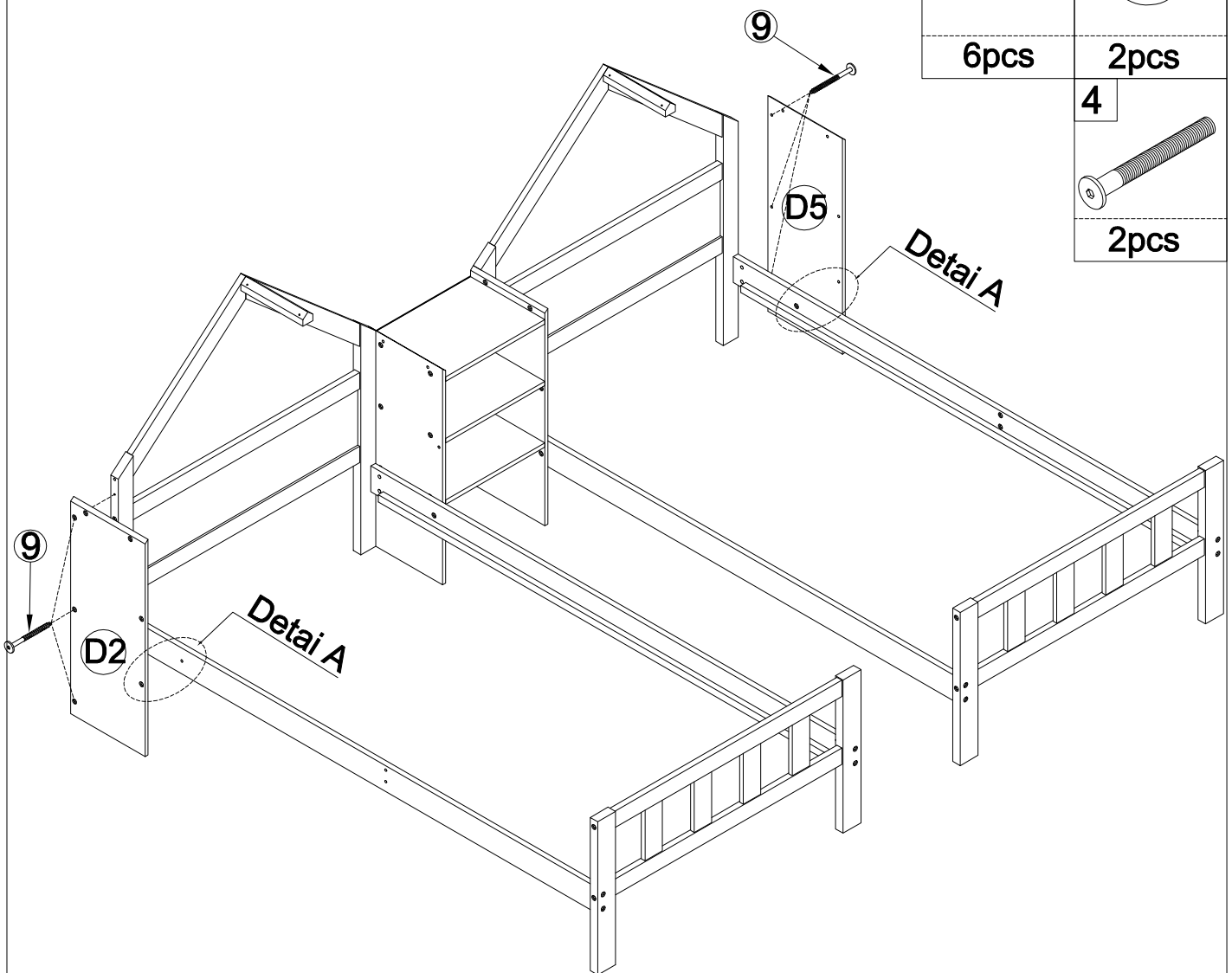



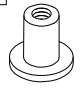
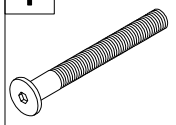
**Detail A**  
**(x2)**

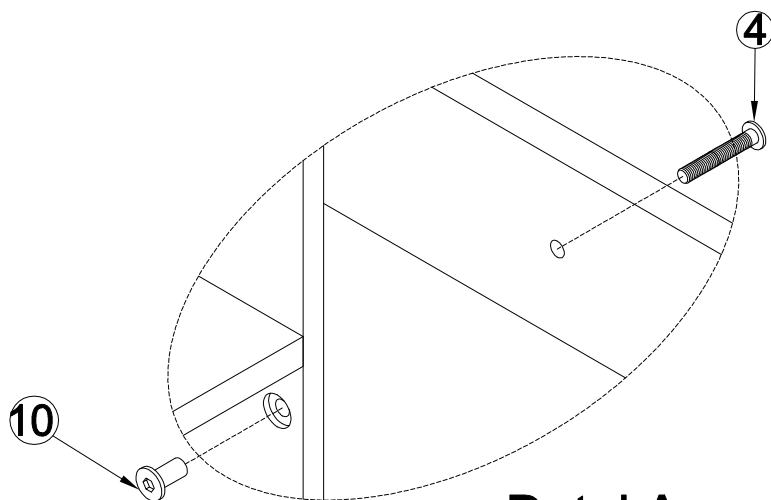
# STEP 7: Following below illustration:

-Using hardware #4,#9,#10 to Assembly Frames (Completed on step 6) with D2,D5 Panels

-Look at detail view for more detail



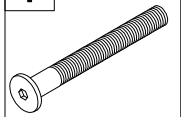
<b>9</b>	<b>10</b>
	
<b>6pcs</b>	<b>2pcs</b>
	<b>4</b>
	
	<b>2pcs</b>



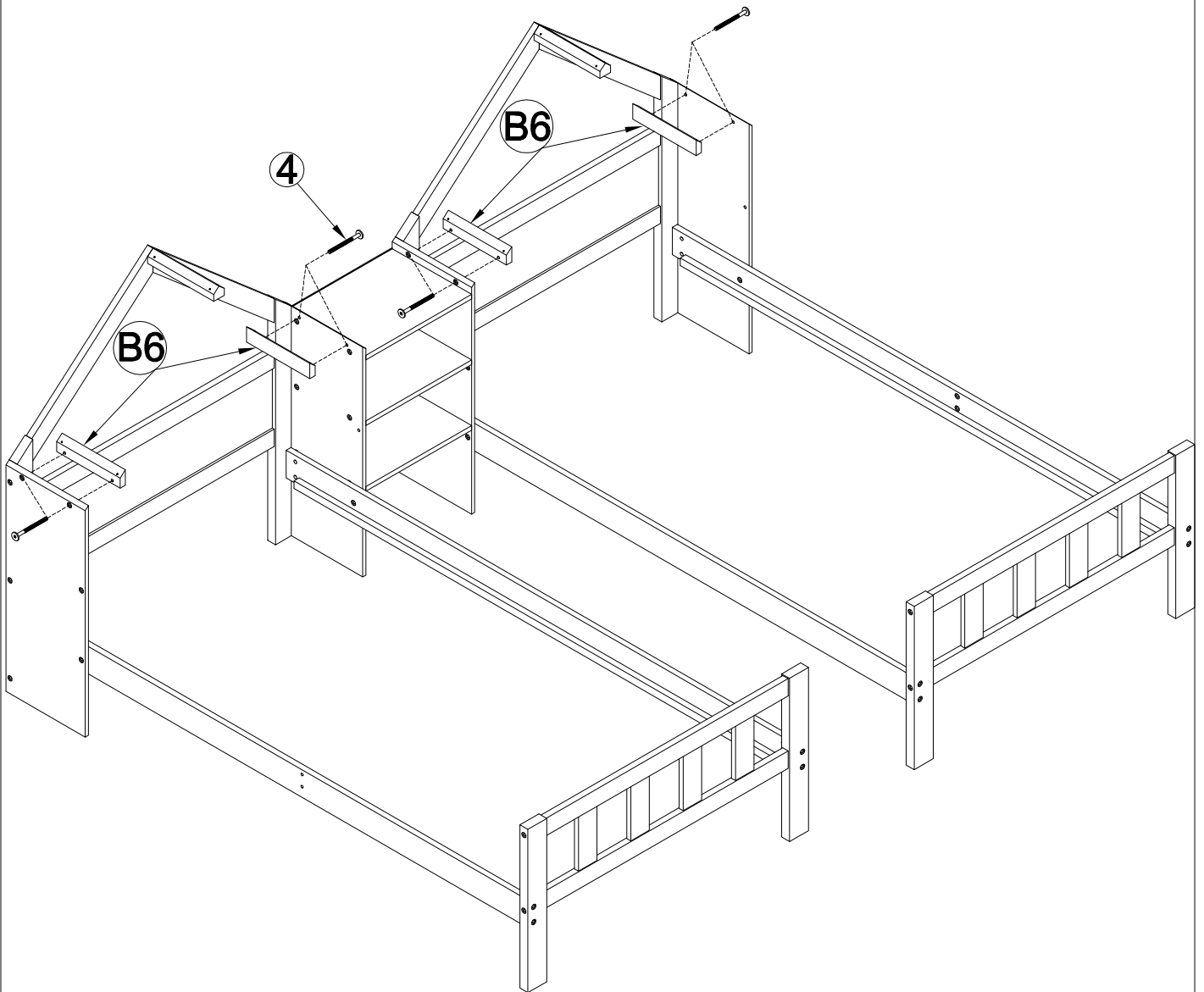
**Detail A  
(x2)**

**STEP 8:** Following below illustration:

4

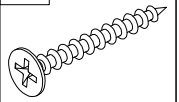


8pcs

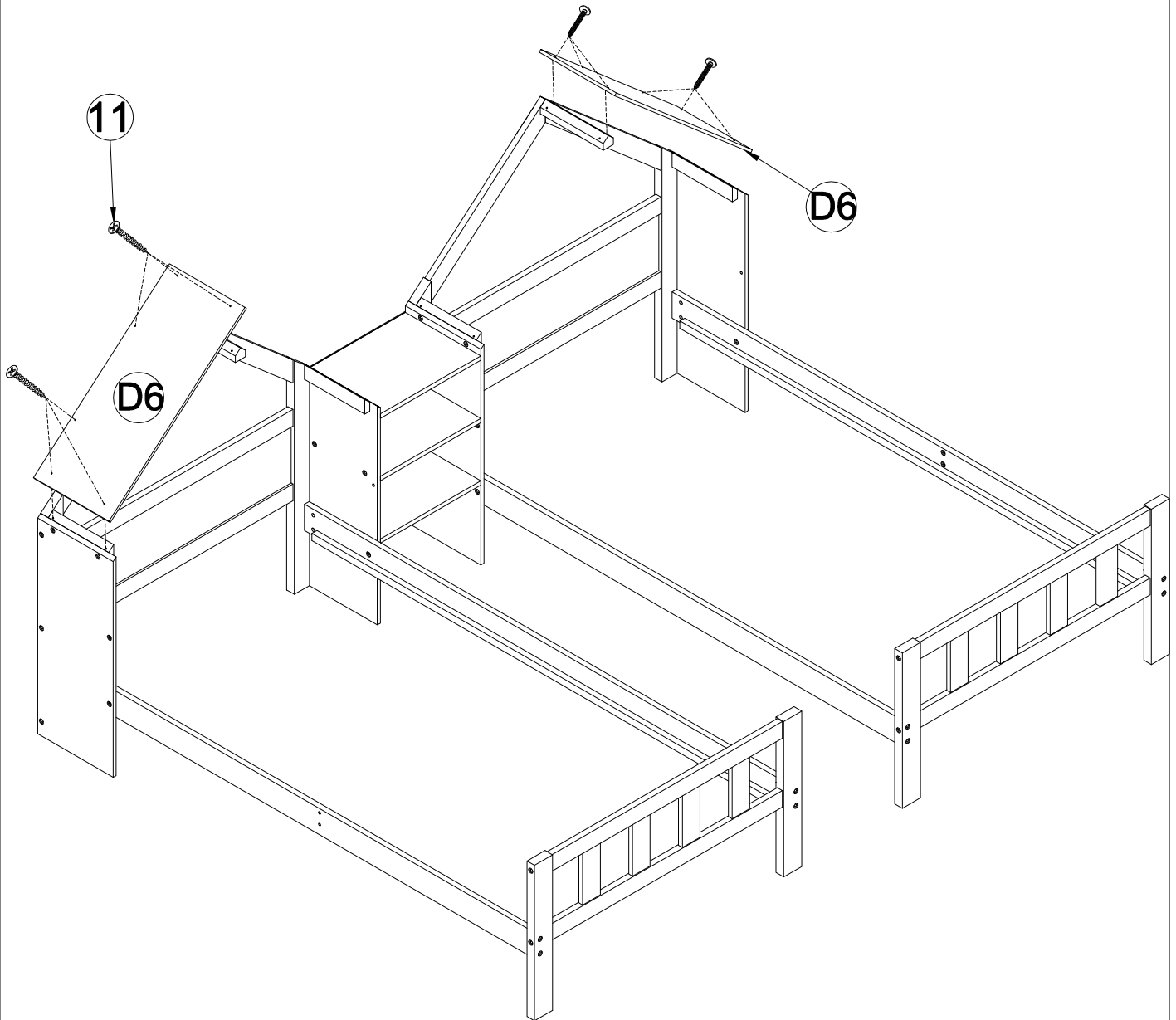


**STEP 9:** Following below illustration:

11

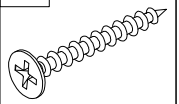


12pcs

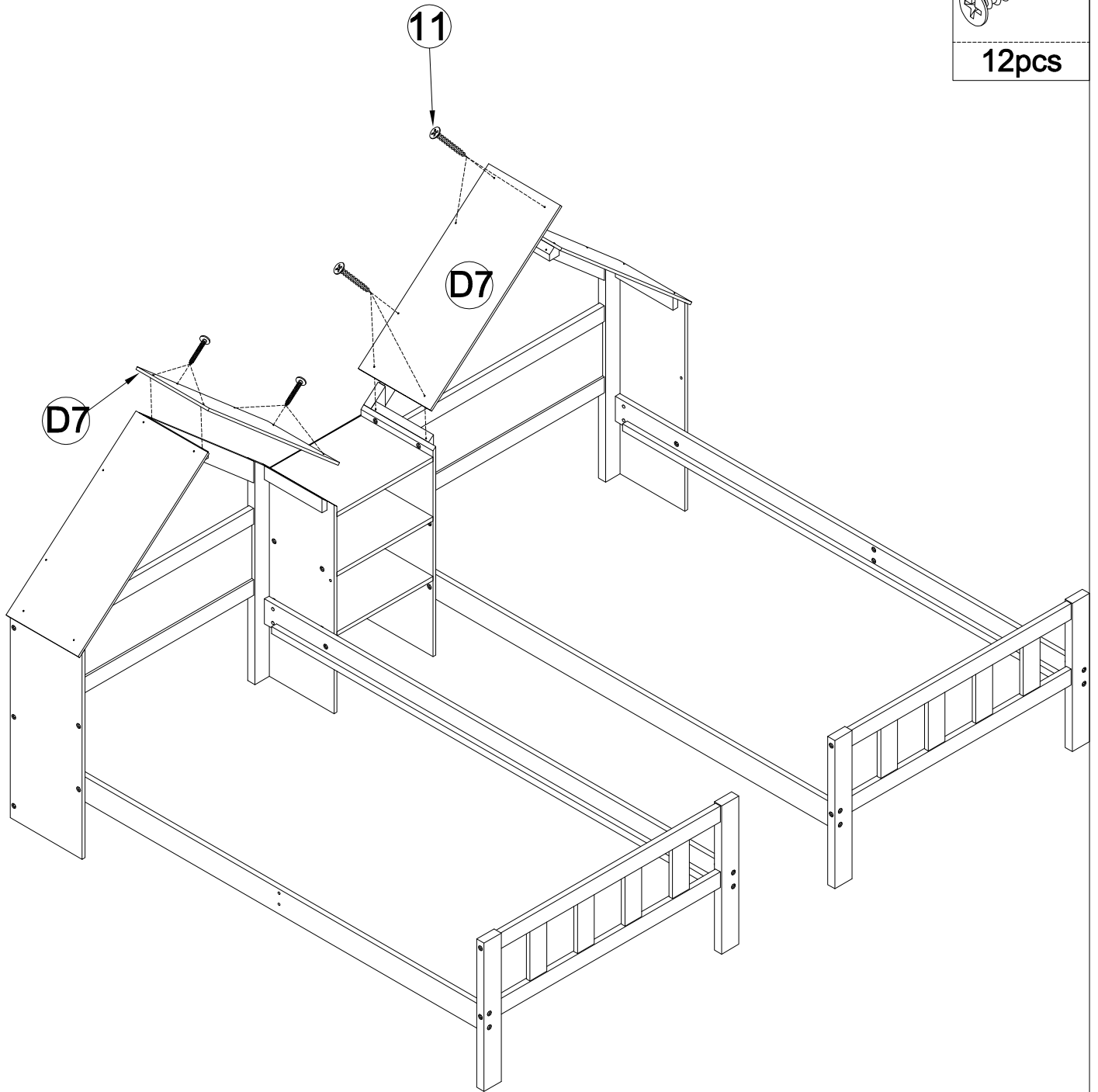


**STEP 10:** Following below illustration:

11


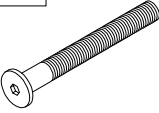



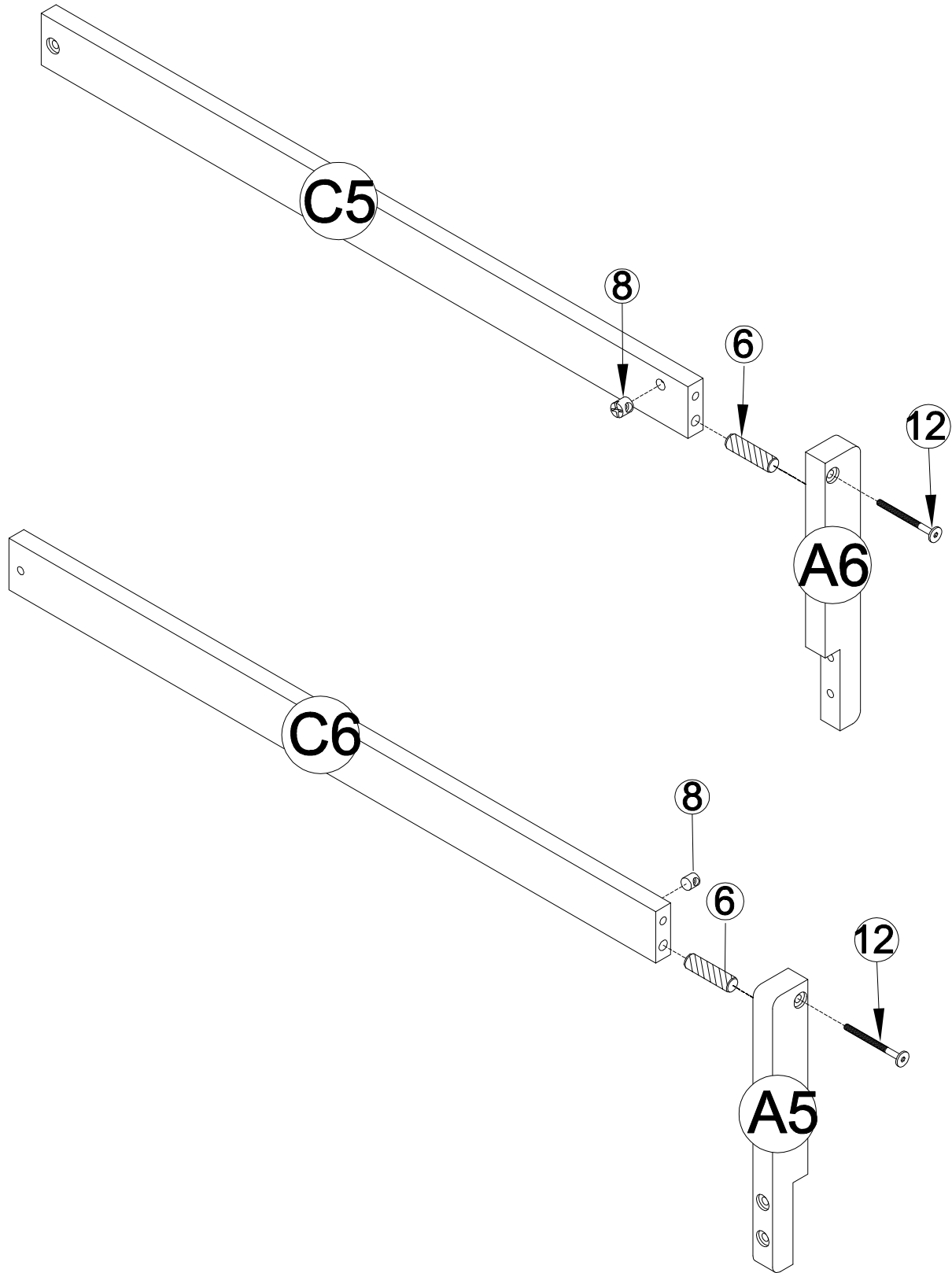
12pcs





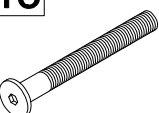
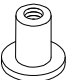
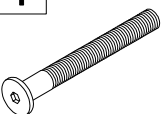
**STEP 11:** Following below illustration:

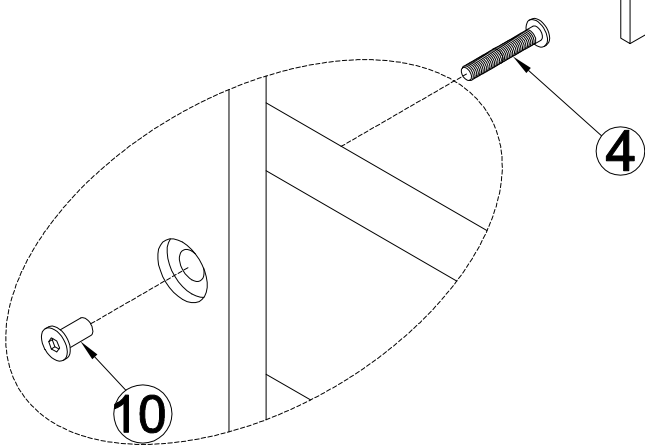
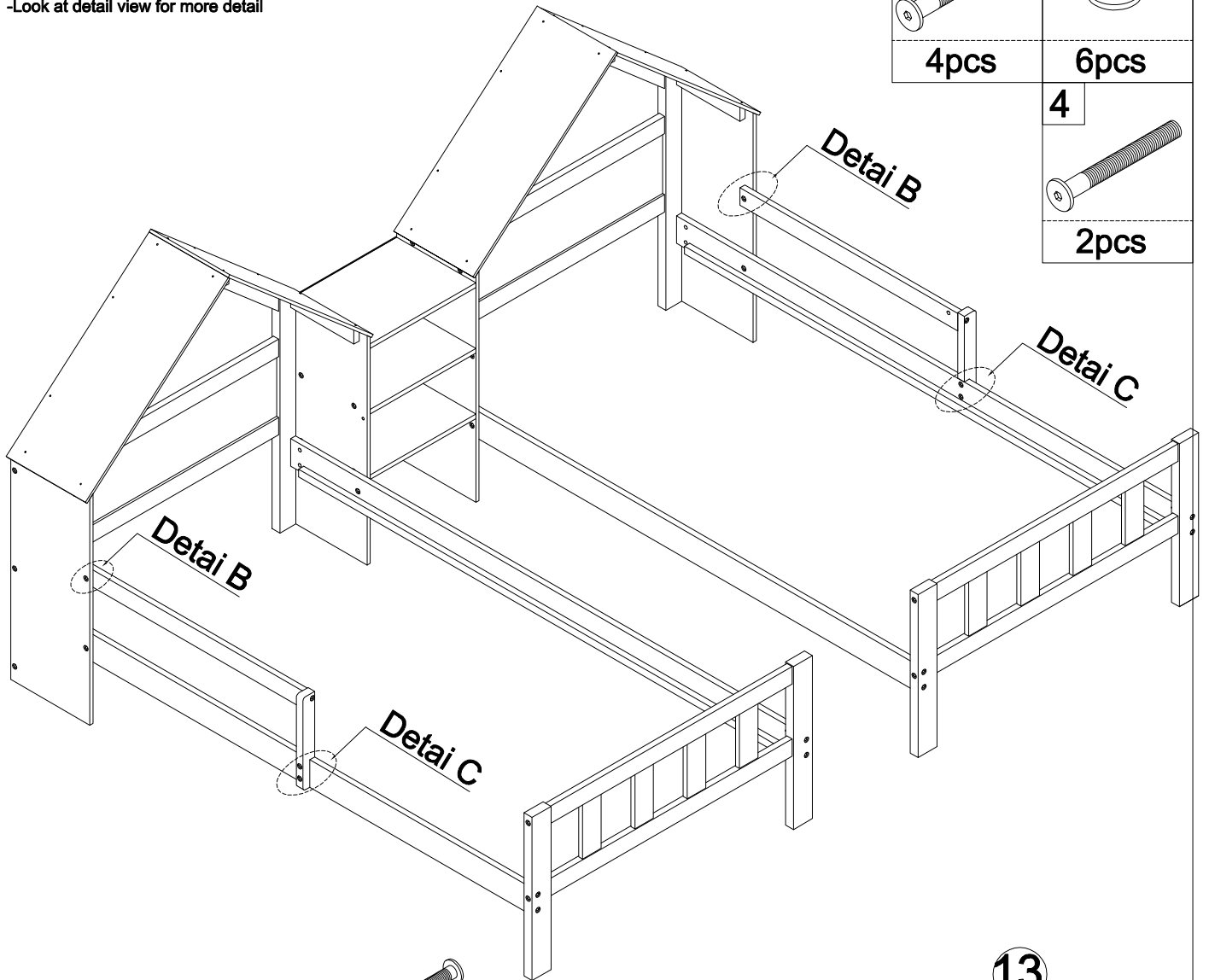
8 	12 	6 
2pcs	2pcs	2pcs



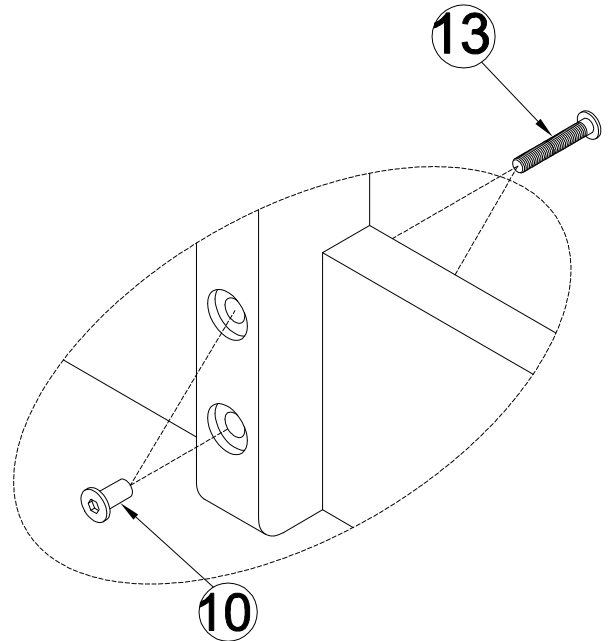
# STEP 12: Following below illustration:

-Using hardware #4,#10,#13 to Assembly Frames (Completed on step 11) with Frame (Completed on step 10)  
-Look at detail view for more detail

<b>13</b> 	<b>10</b> 
<b>4pcs</b>	<b>6pcs</b>
<b>4</b> 	
	<b>2pcs</b>



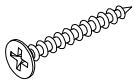
**Detail B  
(x2)**



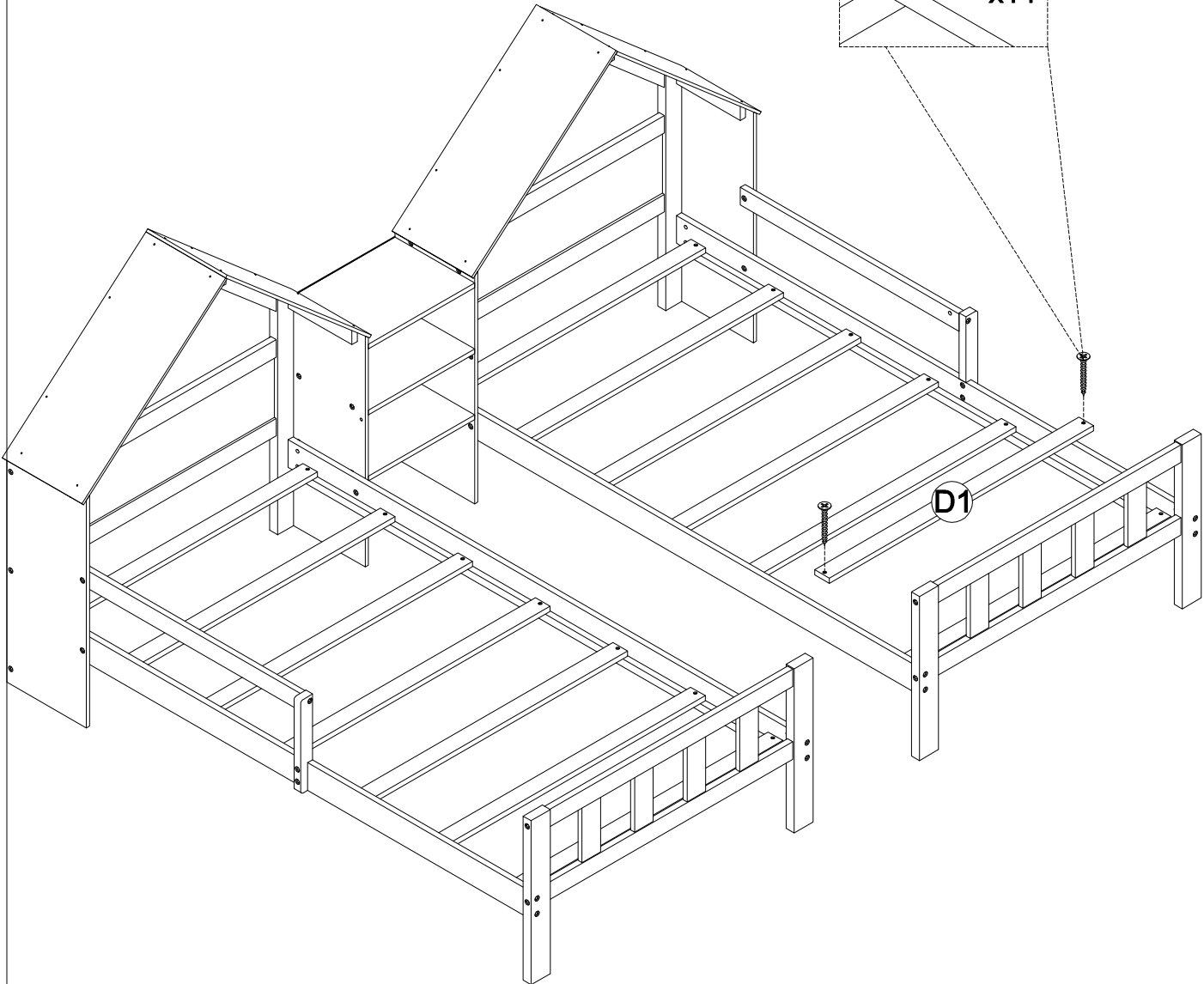
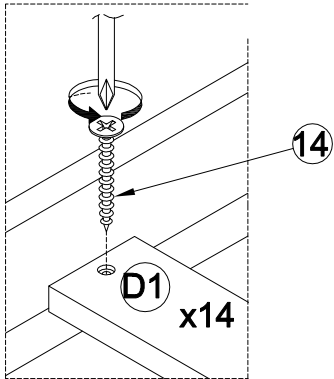
**Detail C  
(x2)**

**STEP 13:** Following below illustration:

14



28pcs



**CONGRARULATION. YOU HAVE COMPLETED THE BED**

