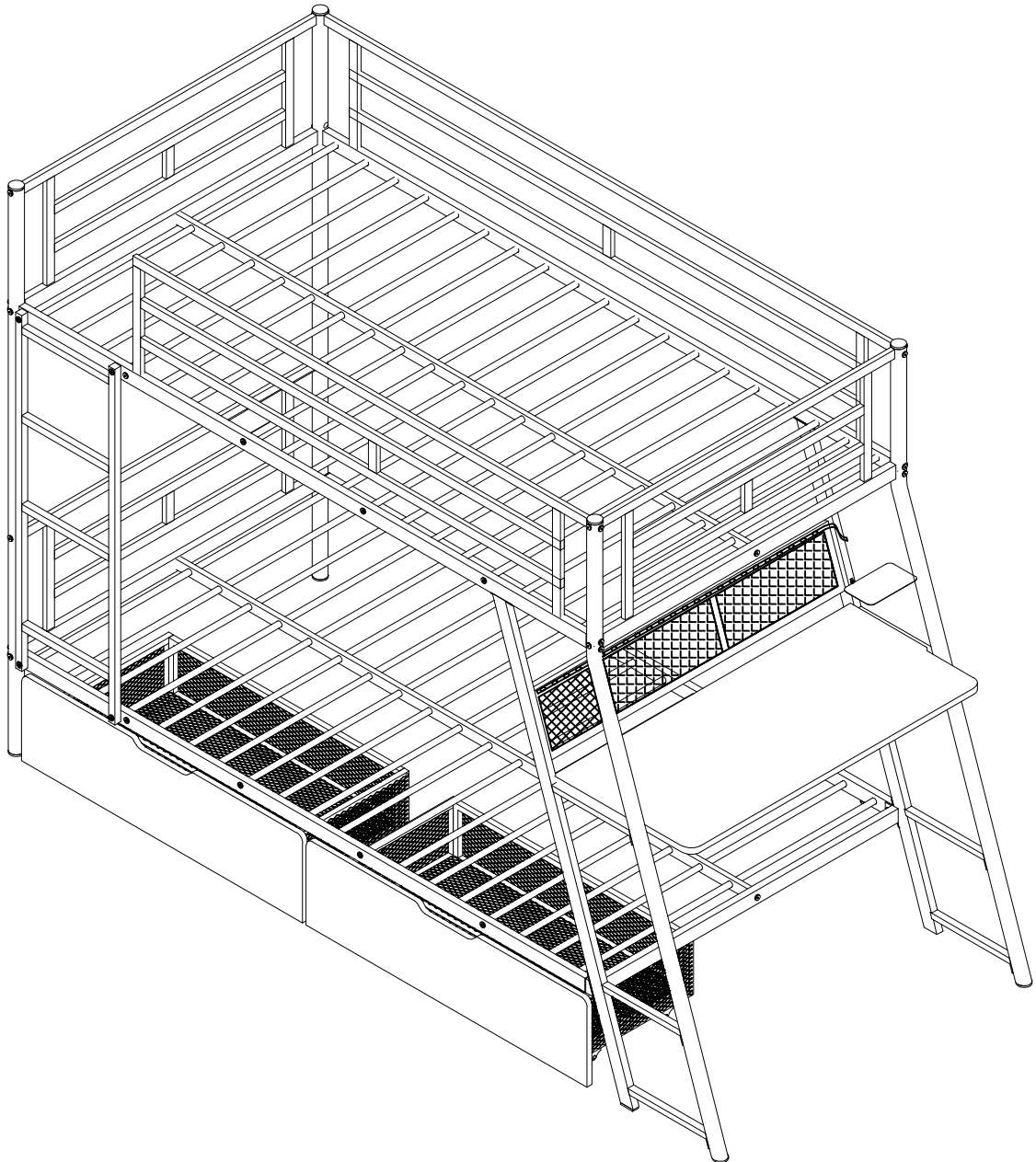


# ASSEMBLY INSTRUCTIONS

## FULL GAMING BUNK BED WITH DESK





# SAFETY WARNING



1. This bed is designed for use only mattress (es) meeting the following specifications on the upper bunk, and lower bunk:

Down bed

Bed type	Length	Width	Thickness
Full Standard	74"-75"	53"-54"	8"

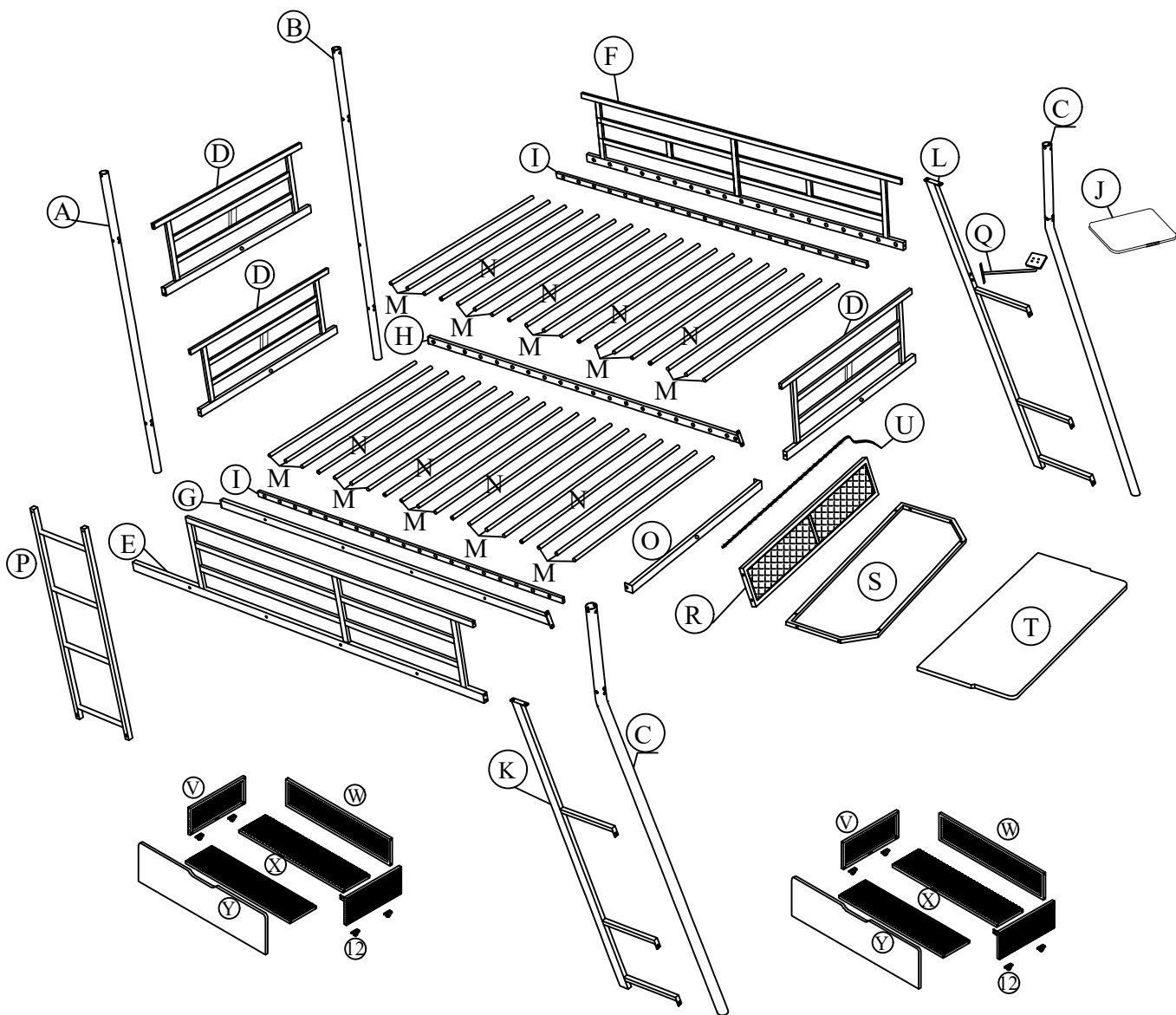
Up bed (Bunk bed and tribed included)



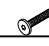




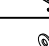
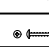



Bed type	Length	Width	Thickness
Full Standard	74"-75"	53"-54"	6"

2. Replacement parts, including additional guardrails, maybe obtained from any of our (GIGACLOUD TECHNOLOGY (USA) INC. 18961 ARENTH AVENUE, CITY OF INDUSTRY , CA, 91748) dealers
3. Follow the information on the warnings appearing on the upper bunk bed end structure and on the carton. Do not remove warning label from bed.
4. Always use the recommended size mattresses or mattress supports, or both, to help prevent the likelihood of entrapment or falls.
5. Surface of mattress must be at least 5" (127mm) below the upper edge of guardrails.
6. Do not allow children under 6 years of age to use the upper bunk.
7. Periodically check and ensure that the guardrail, ladder, and other components are in their proper position, free from damage, and that all connectors are tight.
8. Do not allow horseplay on or under the bed and prohibit jumping on the bed.
9. Always use the ladder for entering and leaving the upper bunk.
10. Do not use substitute part. Contact the manufacture or dealer for replacement part.
11. Use of a night light may provide added safety precaution for a child using the upper bunk.
12. Always use guardrails on both long sides of the upper bunk. If the bunk bed will be placed next to the wall, the guardrail that runs the full length of the bed should be placed against the wall to prevent entrapment between the bed and wall.
13. The use of water or sleep flotation mattresses is prohibited.
14. STRANGULATION HAZARD - Never attach or hang items to any part of the bunk bed that are not designed for use with the bed; for example, but not limited to, hook, belts and jump ropes.
15. Keep these instruction for future reference.
16. Prohibit more than one person on upper bunk
17. We recommend assembling your bunk bed on the shipping carton to protect your floor or carpet.
18. Be certain all staples are out of the box before beginning assembly on the shipping carton.

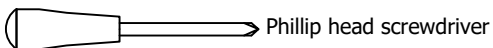
WF307102AAB/WF307103AAB

## Detail View



Hardware List WF307102AAB			
1	1/4 x50		27pcs
2	1/4 x30		8pcs
3	1/4 x25		34pcs
4	1/4 x15		36pcs
5	1/4 x10		10pcs
6	M4x10		16pcs
7	Ø6xØ13		111pcs
8	4 x48		1pc
9	Ø6xØ16		4pcs
10	Wood screw-M4x40		2pcs
11	Wood Screw-M4x10		5pcs
12	Sheel Ø22		8pcs

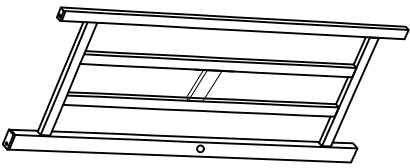
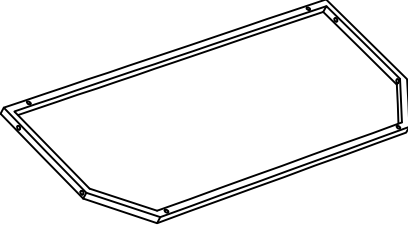
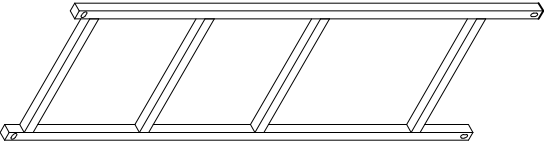
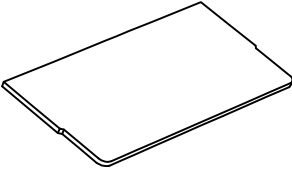
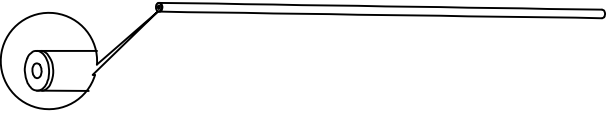

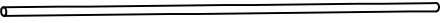
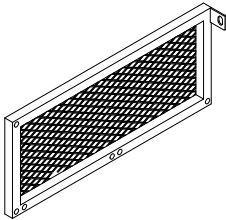
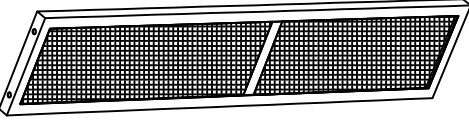
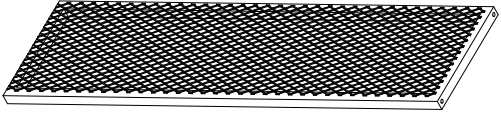
ASSEMBLY TOOLS REQUIRED  
( NOT INCLUDED )



do not use power tools assemble this product

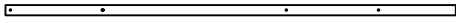
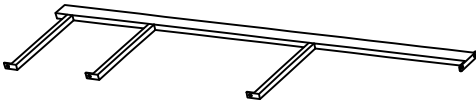
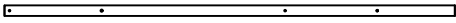
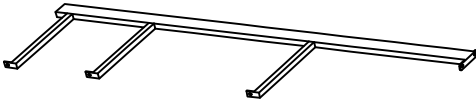
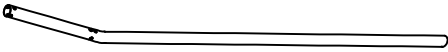
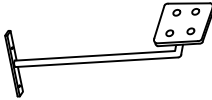
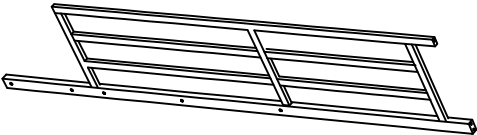
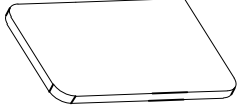
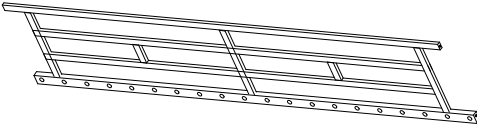
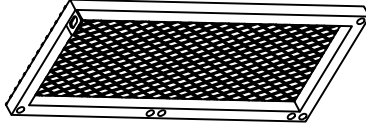
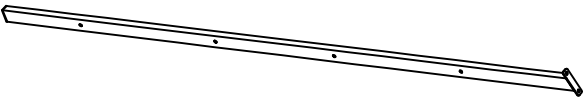
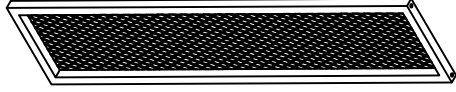
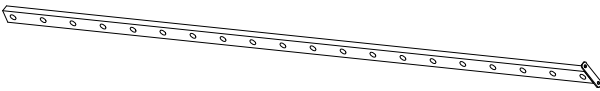
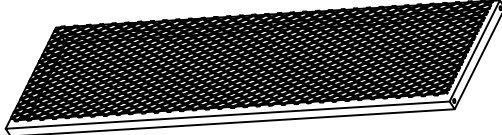
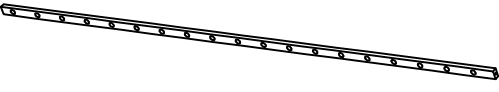
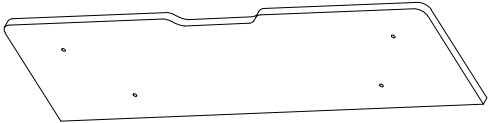
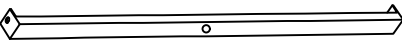
# PARTS LIST

WF307103AAB

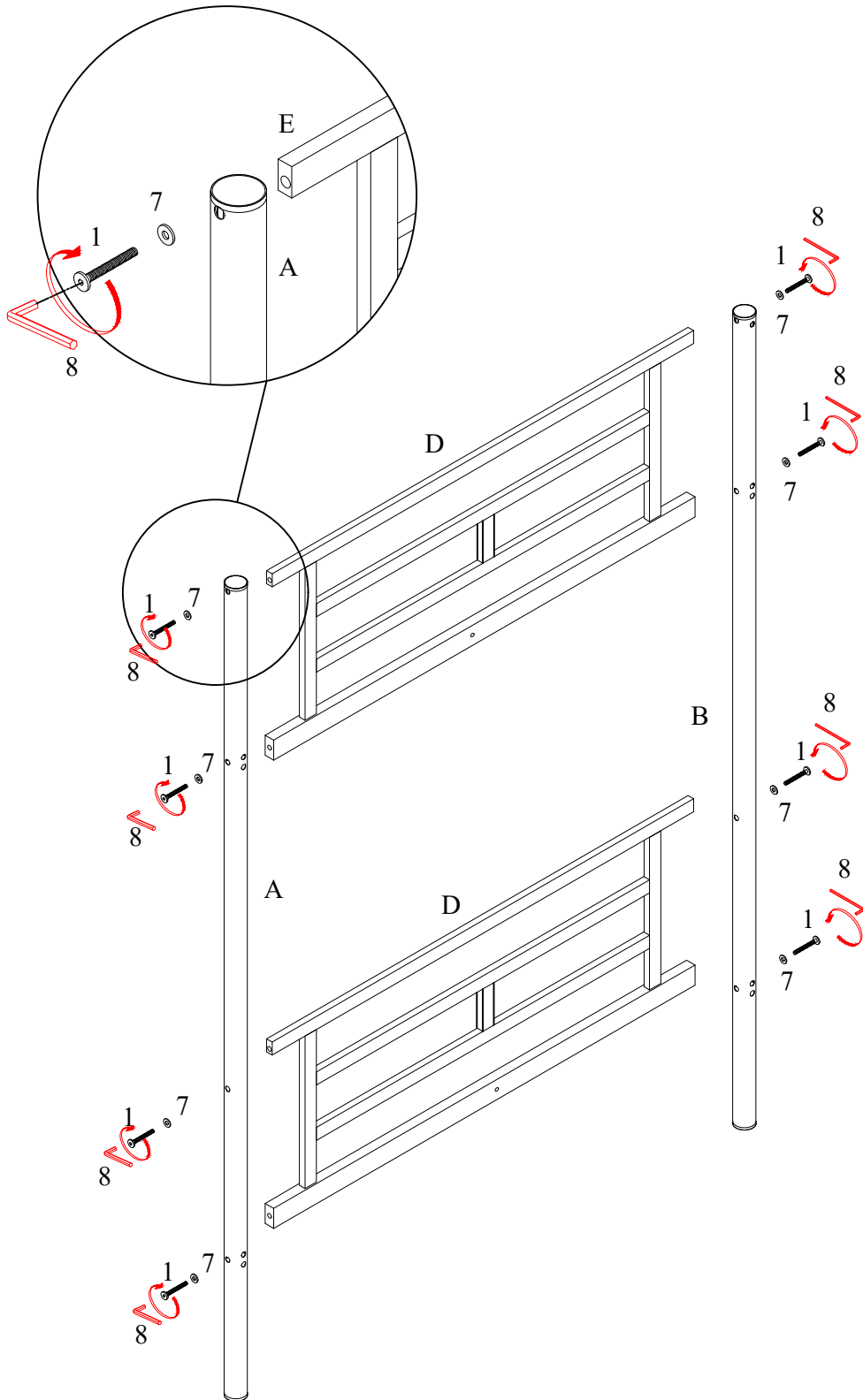
<p><b>D</b></p>  <p>Qty: 3 pcs</p>	<p><b>S</b></p>  <p>Qty: 1 pc</p>
<p><b>P</b></p>  <p>Qty: 1 pc</p>	<p><b>T</b></p>  <p>Qty: 1 pc Wood panel</p>
<p><b>N</b></p>  <p>Qty: 8 pcs</p>	<p><b>U</b></p>  <p>Qty: 1 pc Led light strip</p>
<p><b>M</b></p>  <p>Qty: 30 pcs</p>	<p><b>V</b></p>  <p>Qty: 2 pcs</p>
<p><b>R</b></p>  <p>Qty: 1 pc</p>	<p><b>X</b></p>  <p>Qty: 2 pcs</p>



# PARTS LIST

WF307102AAB

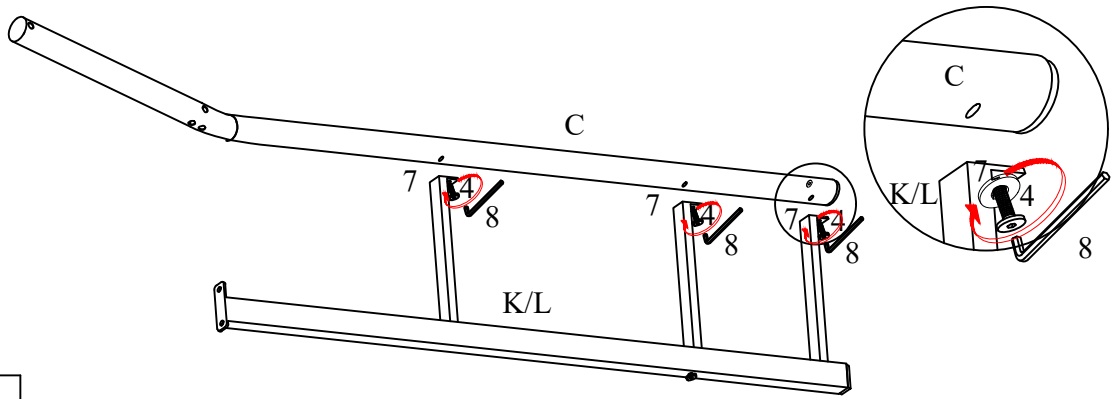
<p><b>A</b></p>  <p>Qty: 1 pc</p>	<p><b>K</b></p>  <p>Qty: 1 pc</p>
<p><b>B</b></p>  <p>Qty: 1 pc</p>	<p><b>L</b></p>  <p>Qty: 1 pc</p>
<p><b>C</b></p>  <p>Qty: 2 pcs</p>	<p><b>Q</b></p>  <p>Qty: 1 pc</p>
<p><b>E</b></p>  <p>Qty: 1 pc</p>	<p><b>J</b></p>  <p>Qty: 1 pc Wood panel</p>
<p><b>F</b></p>  <p>Qty: 1 pc</p>	<p><b>V</b></p>  <p>Qty: 2 pcs</p>
<p><b>G</b></p>  <p>Qty: 1 pc</p>	<p><b>W</b></p>  <p>Qty: 2 pcs</p>
<p><b>H</b></p>  <p>Qty: 1 pc</p>	<p><b>X</b></p>  <p>Qty: 2pcs</p>
<p><b>I</b></p>  <p>Qty: 2 pcs</p>	<p><b>Y</b></p>  <p>Qty: 2pcs</p>
<p><b>O</b></p>  <p>Qty: 1 pc</p>	

STEP 1



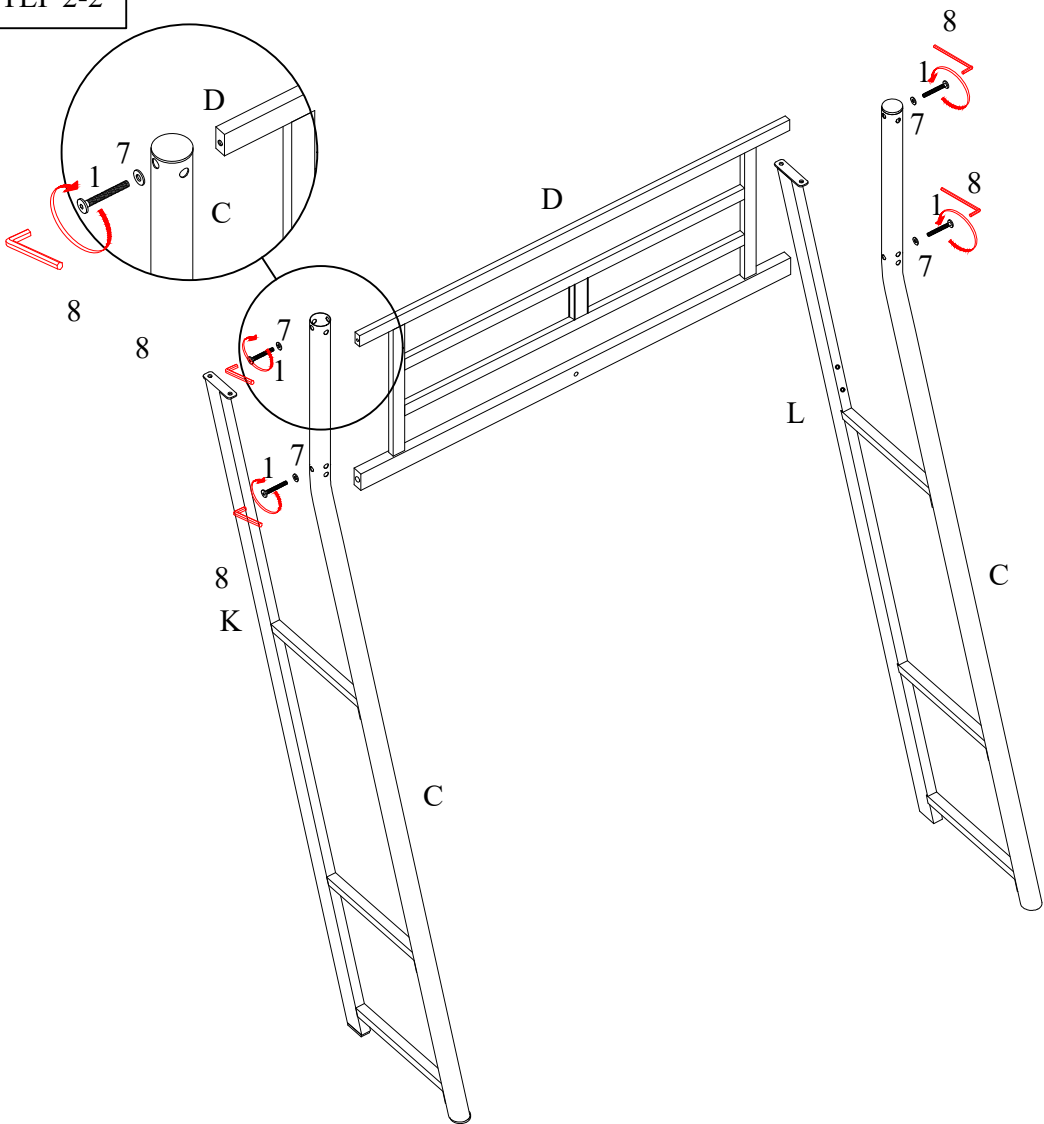
1		8pcs
7		8pcs

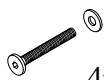

STEP 2-1  
Note: Qty 02



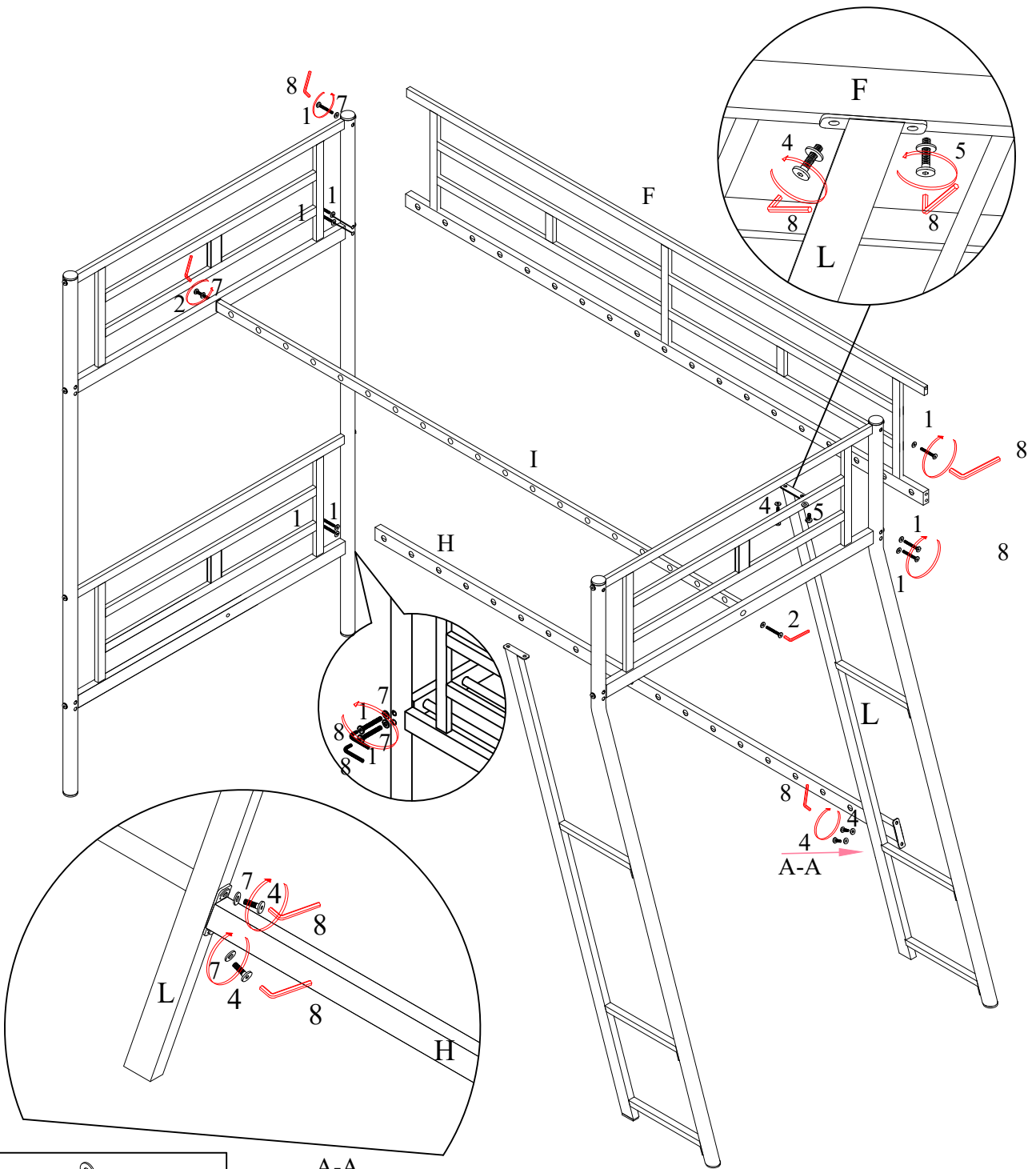
4 6pcs

STEP 2-2



1		4pcs
7		4pcs

STEP 3



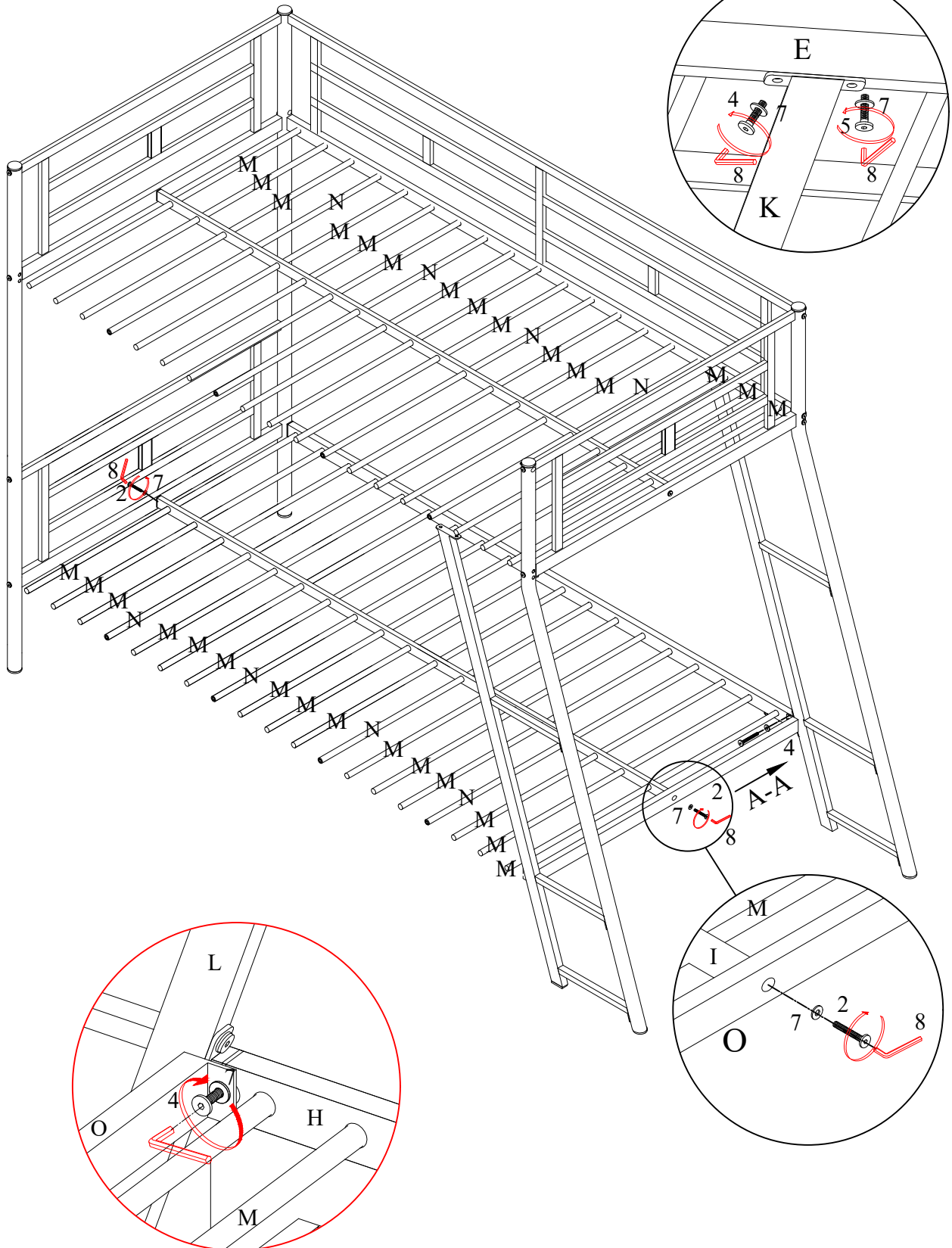
7		14pc
5		1pc
4		3pcs
2		2pcs
1		8pcs




A-A

WF307102AAB/WF307103AAB



STEP 4

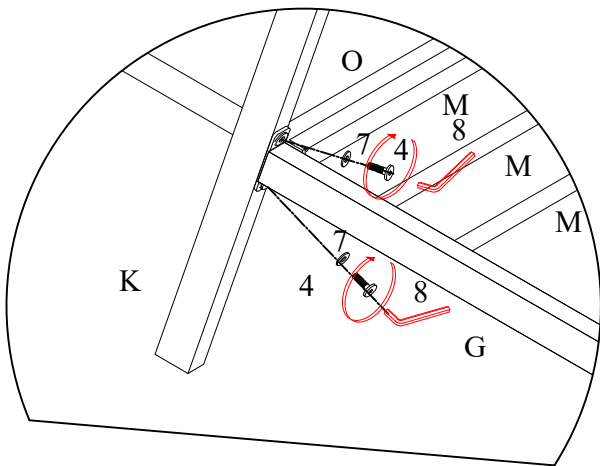
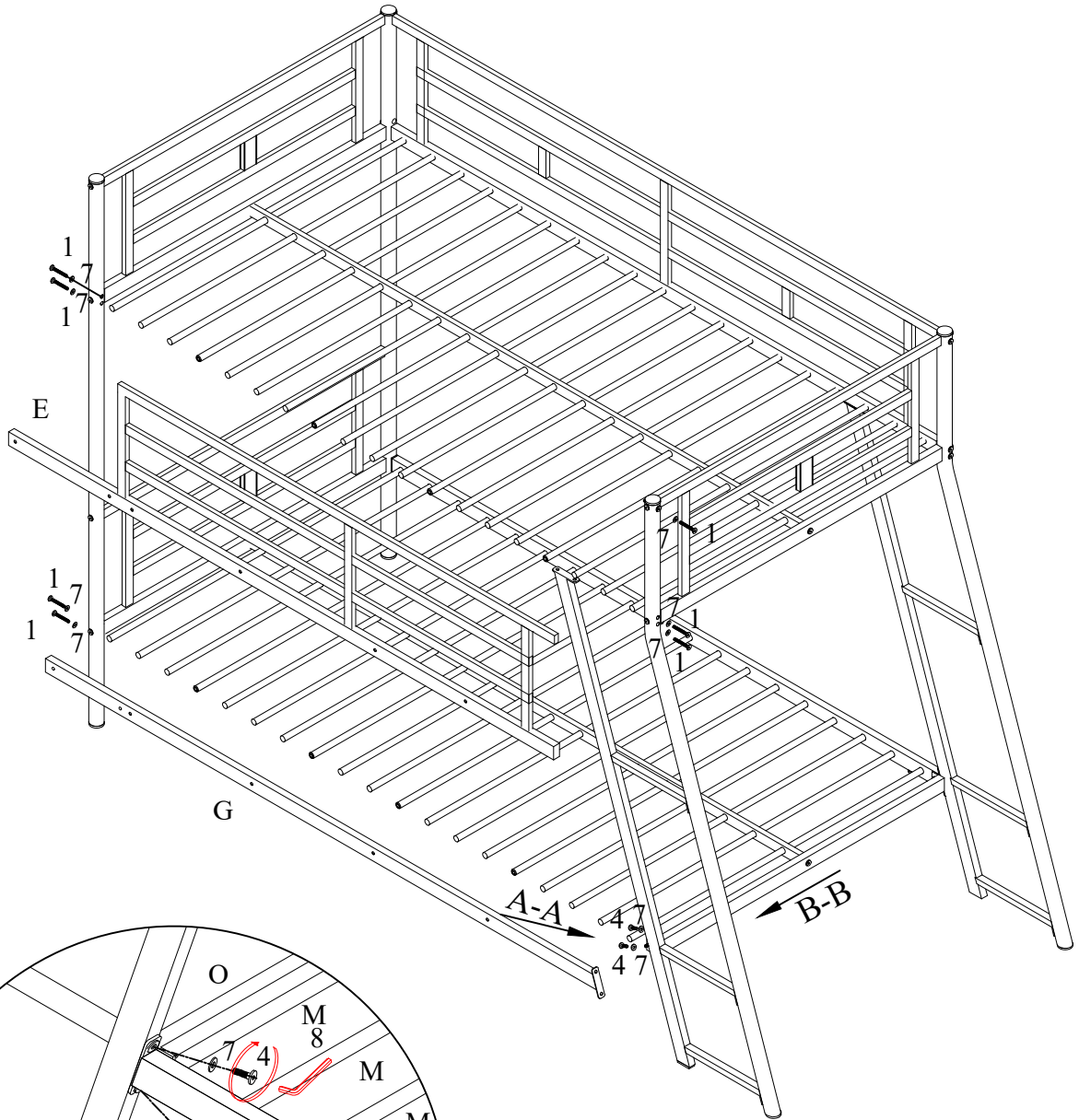


7		3pc
4		1pc
2		2pcs

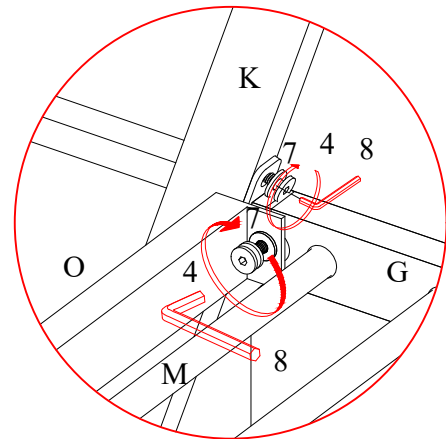
A-A

WF307102AAB/WF307103AAB




# STEP 5



A-A

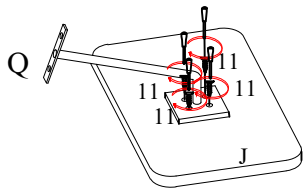


B-B

7		10pcs
4		3pcs
1		7pcs

WF307102AAB/WF307103AAB

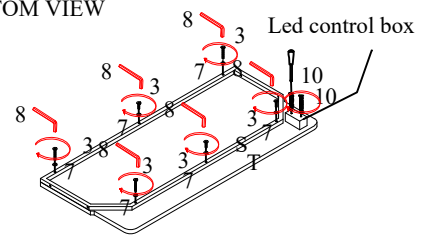
STEP 6-1



11		4pcs
----	--	------

STEP 6-2

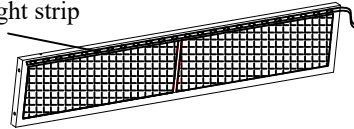
BOTTOM VIEW



7		6pcs
3		6pcs
10		2pcs

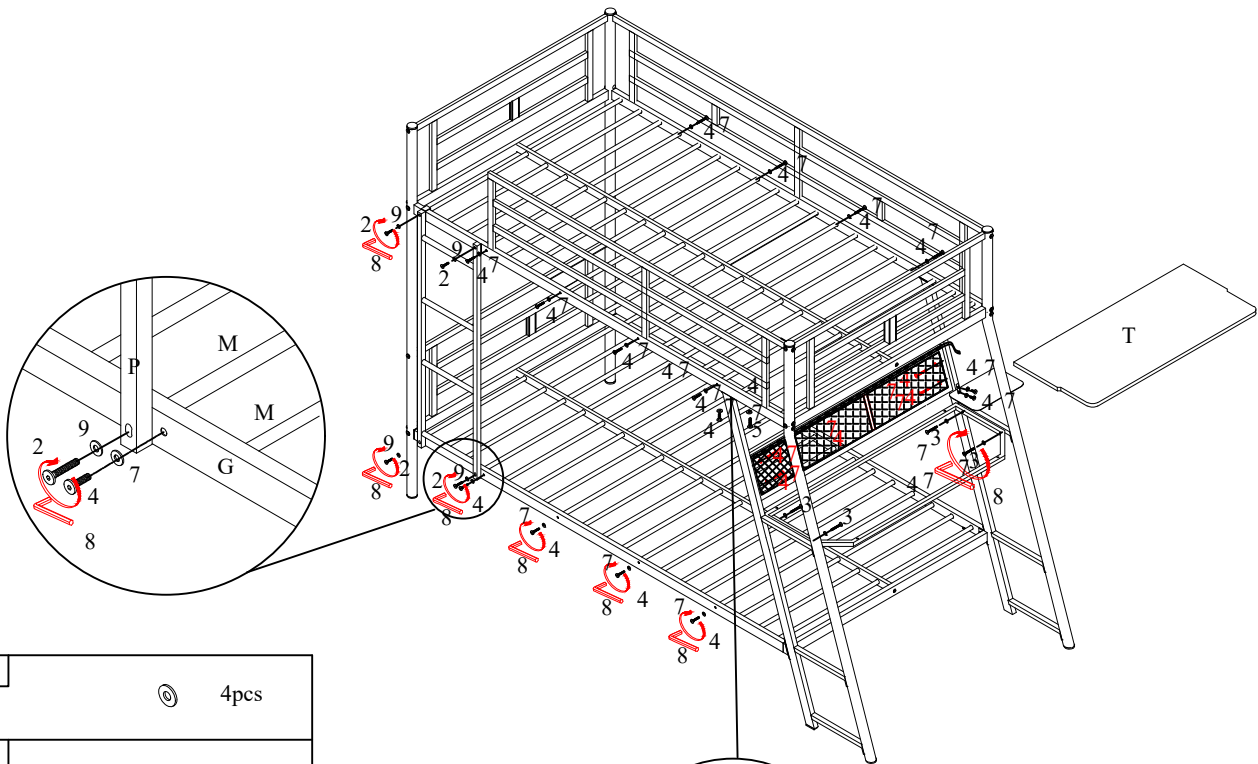
STEP 6-3

Led light strip



U		1pc
---	--	-----

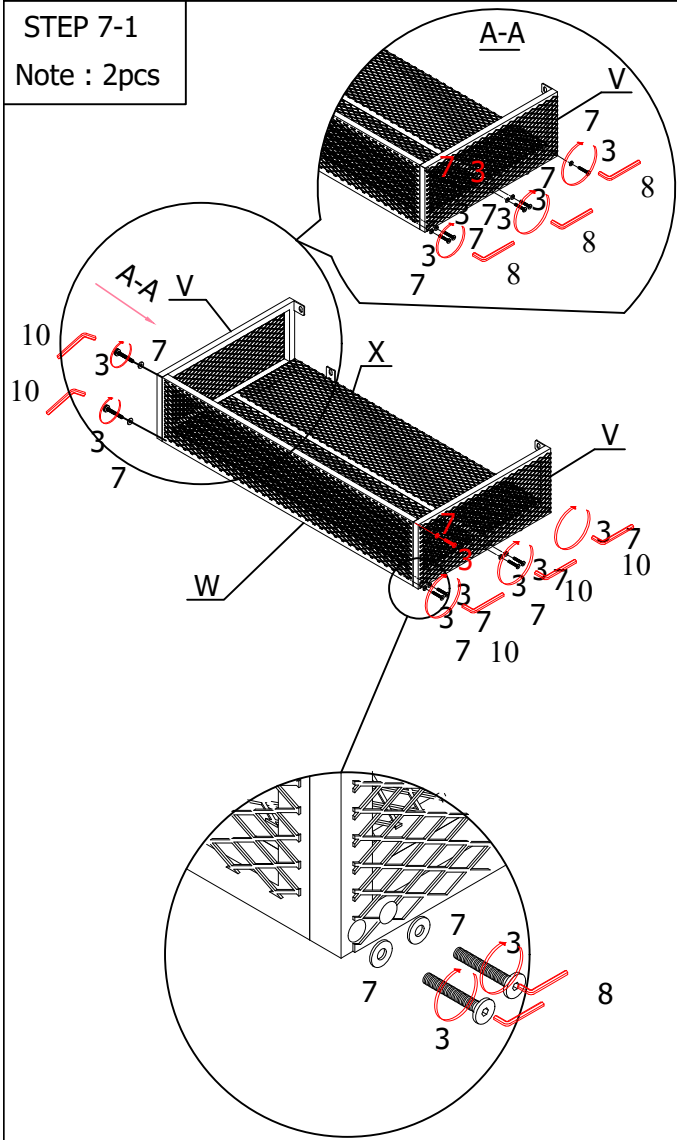
STEP 6-4





9		4pcs
7		28pcs
5		1pc
4		23pcs
3		4pcs
2		4pcs

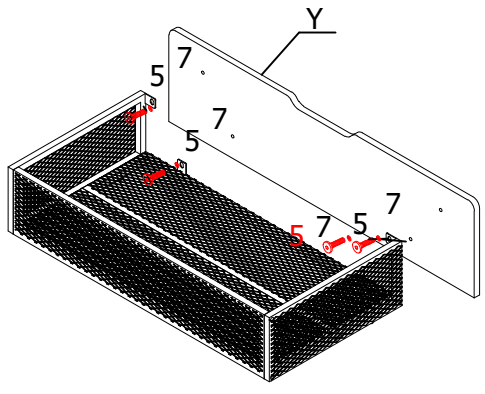
WF307102AAB/WF307103AAB



STEP 7-1  
Note : 2pcs



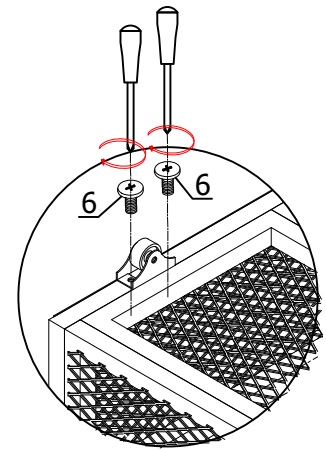
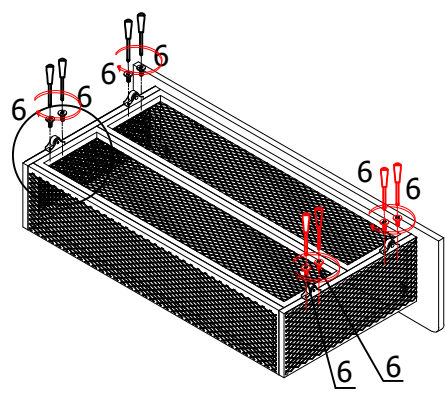
- |   |   |       |
|---|---|-------|
| 7 |  | 24pcs |
| 3 |  | 24pcs |


STEP 7-2  
Note : 2pcs



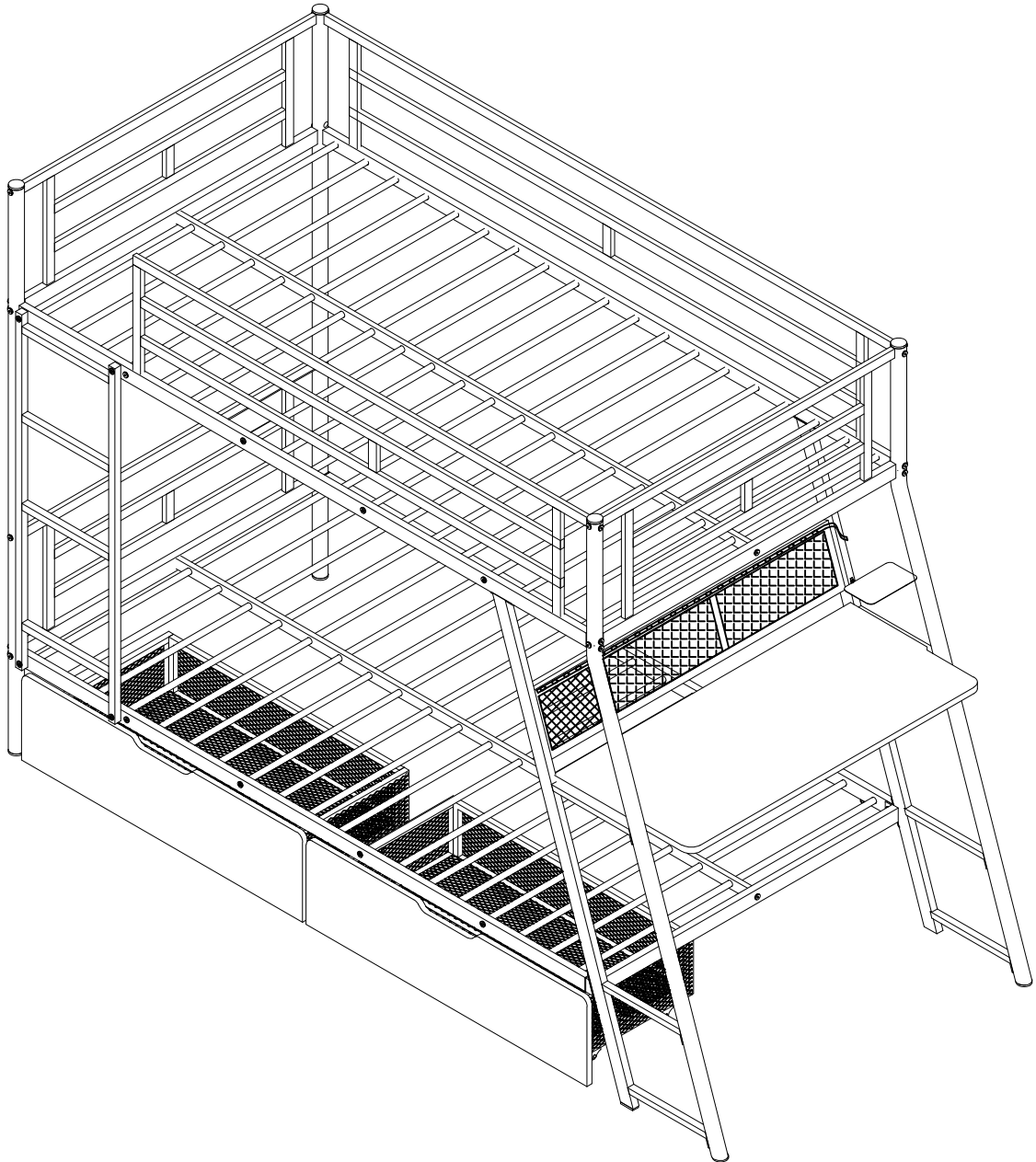
- |   |   |      |
|---|---|------|
| 7 |  | 8pcs |
| 5 |  | 8pcs |

STEP 7-3  
Note : 2pcs



- |   |   |       |
|---|---|-------|
| 6 |  | 16pcs |
|---|---|-------|

# FULL GAMING BUNK BED WITH DESK



WF307102AAB/WF307103AAB