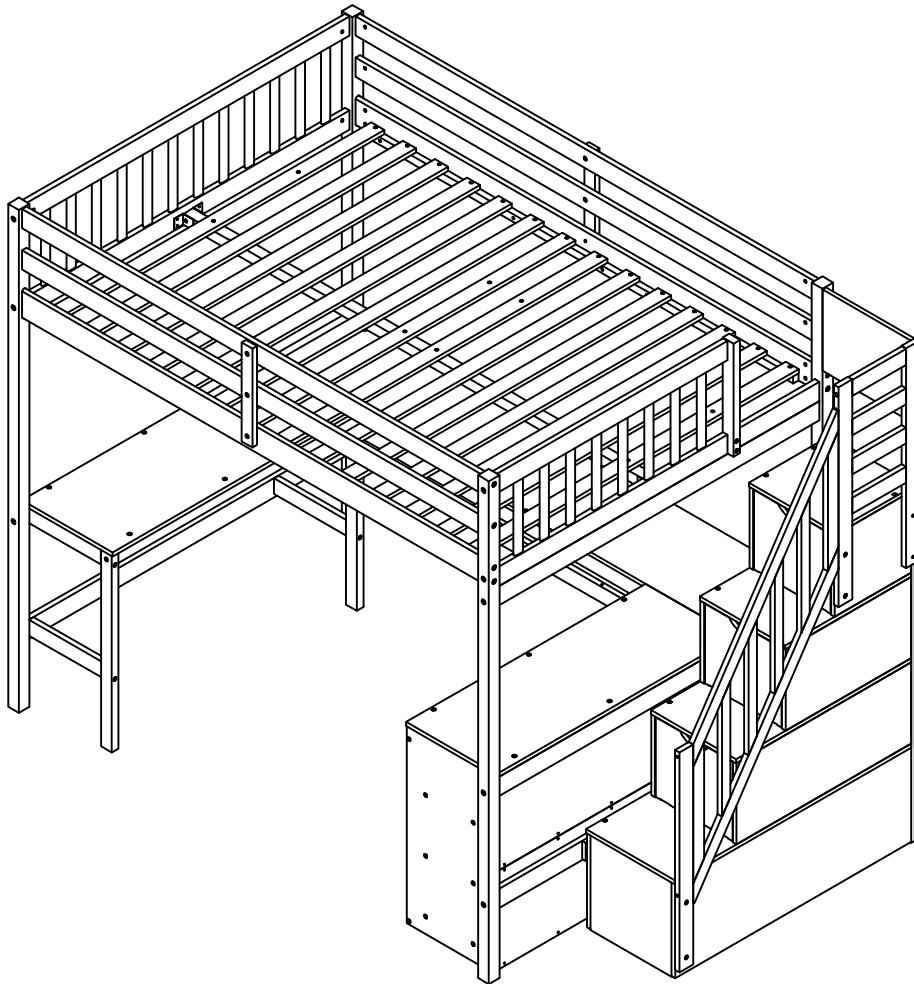


ASSEMBLY INSTRUCTIONS

LOFT BED WITH TABLE



WF304470/WF304471/WF304472

SAFETY WARNINGS AND GENERAL NOTES:

Follow the information on the warnings on the loft bed end structure and on the carton. Do not remove the warning label from the bed. Always use the recommended size mattress on mattress support, or both, to help prevent the likelihood of entrapment or falls.

The top surface of the mattress must be at least 5*inch (127mm) below the upper edge of the guardrail.

Do not allow children under 6 years of age to use the upper bunk.

Periodically check and ensure the guardrail, ladder and other components are in their proper position, free from damage, and all connectors are tight.

Do not allow horseplay on or under beds.

Always prohibit jumping on the bed.

Prohibit more than one person on upper bunk.

Always use the ladder for entering and leaving the upper bunk.

Do not use substitute parts. Contact the manufacturer or dealer for replacement parts.

Use of a night-light may provide added safety precaution for a child using the upper bunk.

Always use guardrails on both long sides of the upper bunk.

If the loft bed will be placed next to a wall, the guardrail that runs the full length of the bed should be placed against the wall to prevent entrapment between the bed and the wall.

The use of water or sleep flotation mattresses is prohibited.

STRANGULATION HAZARD-Never attach or hang items to any part of the loft bed that are not designed for use with the bed.

Keep these instructions for future reference.

We recommend assembling your loft bed on the shipping carton to protect your floor or carpet.

Be certain all staples are out of the box before beginning assembly on the shipping carton.

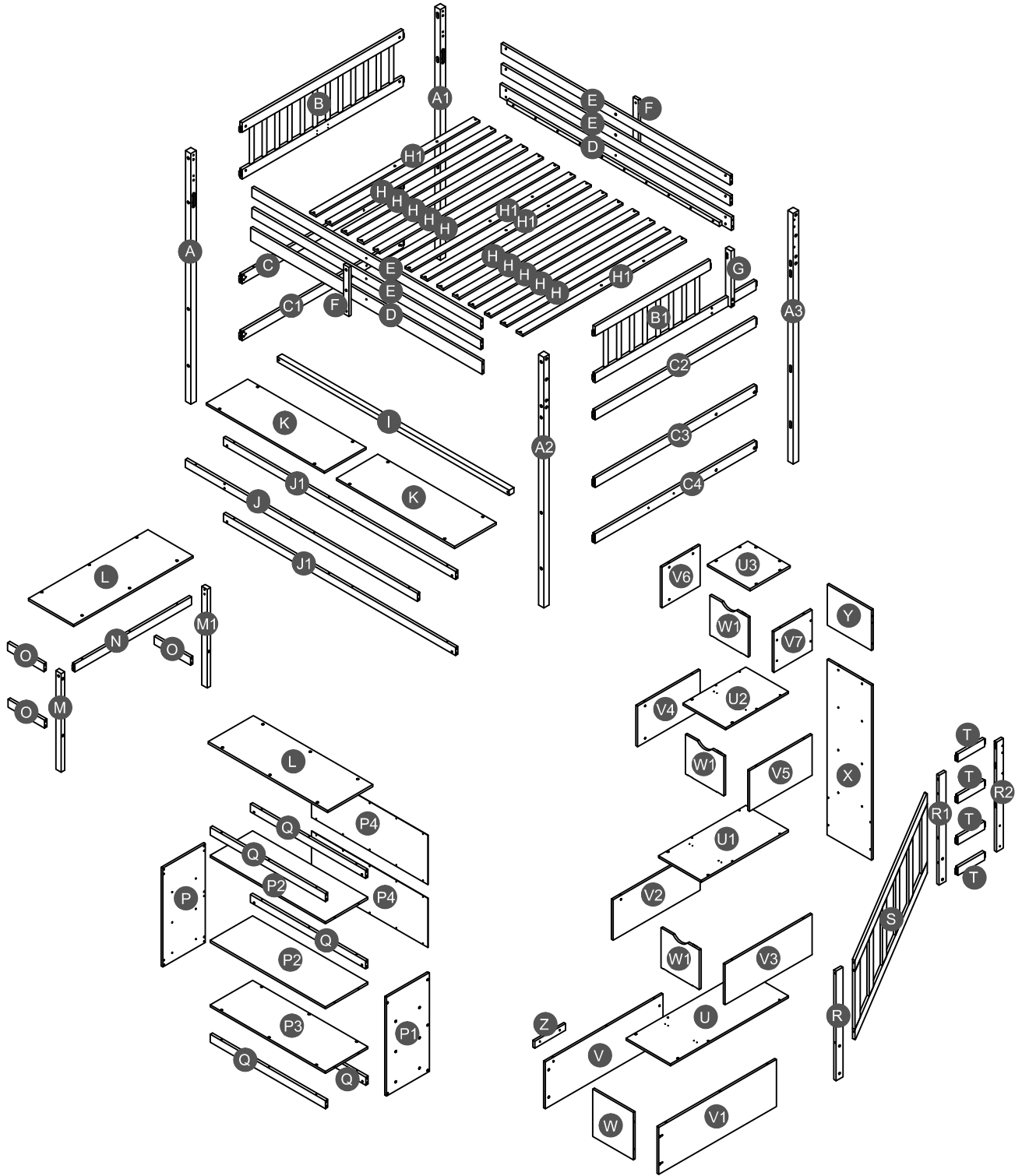
USE ONLY MATTRESSES WHICH ARE 74"-75" LONG AND 54" WIDE ON UPPER BUNKS. ENSURE THICKNESS OF MATTRESS DOES NOT EXCEED 6".

SURFACE OF MATTRESS MUST BE AT LEAST 5" (127MM) BELOW THE UPPER EDGE OF GUARDRAILS.

Replacement Parts:

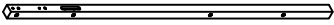
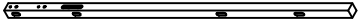

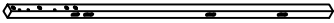
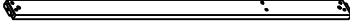
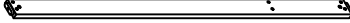
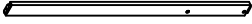
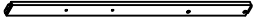


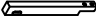





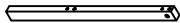
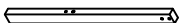

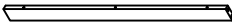
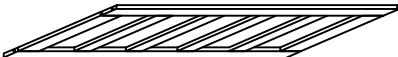
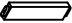
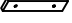
Replacement Parts, including additional guardrails, may be obtained from any of our (GIGACLOUD TECHNOLOGY (USA) INC. 18961 ARENTH AVENUE, CITY OF INDUSTRY , CA, 91748.) dealers

Detail View



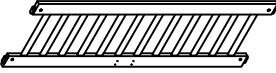
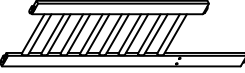





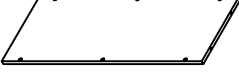
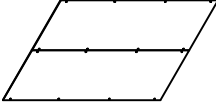
Part List

WF304470

<p>A</p>  <p>Leg (Left front) - 1pc</p>	<p>A1</p>  <p>Leg (Left back) - 1pc</p>	<p>A2</p>  <p>Leg (Right front) - 1pc</p>
<p>A3</p>  <p>Leg (Right back) - 1pc</p>	<p>C</p>  <p>Divider horizontal bar HB - 1pc</p>	<p>C1</p>  <p>Lower horizontal bar HB - 1pc</p>
<p>C3</p>  <p>Divider horizontal bar FB - 1pc</p>	<p>C4</p>  <p>Lower horizontal bar FB - 1pc</p>	<p>D</p>  <p>Side rail - 2pcs</p>
<p>E</p>  <p>Long guard rail - 4pcs</p>	<p>G</p>  <p>Guard rail support - 1pc</p>	<p>H</p>  <p>Slat - 10pcs</p>
<p>H1</p>  <p>Slat - 4pcs</p>	<p>I</p>  <p>Lower support slat - 1pc</p>	<p>J</p>  <p>Lower horizontal bar (front) - 1pc</p>
<p>J1</p>  <p>Lower horizontal bar (back) - 2pcs</p>	<p>M</p>  <p>Leg - front - 1pc</p>	<p>M1</p>  <p>Leg - back - 1pc</p>
<p>O</p>  <p>Horizontal bar - 3pcs</p>	<p>Q</p>  <p>Horizontal bar - 5pcs</p>	<p>S</p>  <p>Guard rail - 1pc</p>
<p>T</p>  <p>Horizontal bar - 4pcs</p>	<p>Z</p>  <p>Support - 1pc</p>	


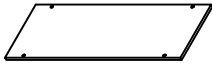

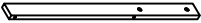
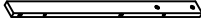
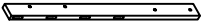


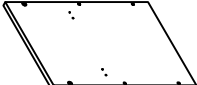





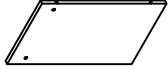



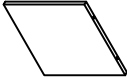
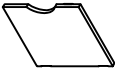

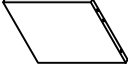
Part List

Hardware List WF304471

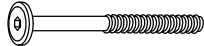




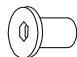
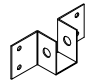

<p>B</p>  <p>Frame HB - 1pc</p>	<p>B1</p>  <p>Frame FB - 1pc</p>	<p>C2</p>  <p>Upper horizontal bar FB - 1pc</p>
<p>L</p>  <p>Top panel (front) - 2pcs</p>	<p>P</p>  <p>Left side panel - 1pc</p>	<p>P1</p>  <p>Right side panel - 1pc</p>
<p>P2</p>  <p>Shelf panel - 2pcs</p>	<p>P3</p>  <p>Bottom panel - 1pc</p>	<p>P4</p>  <p>Back panel - 2pcs</p>

Part List

WF304472

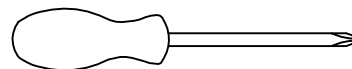
<p>F</p>  <p>Vertical guard rail - 2pcs</p>	<p>K</p>  <p>Top panel - 2pcs</p>	<p>N</p>  <p>Horizontal bar - 1pc</p>
<p>R</p>  <p>Vertical guard rail - 1pc</p>	<p>R1</p>  <p>Vertical guard rail - 1pc</p>	<p>R2</p>  <p>Vertical guard rail - 1pc</p>
<p>U</p>  <p>Lower step ladder panel -1pc</p>	<p>U1</p>  <p>Lower center step ladder panel -1pc</p>	<p>U2</p>  <p>Upper center step ladder panel -1pc</p>
<p>U3</p>  <p>Upper step ladder panel -1pc</p>	<p>V</p>  <p>Lower left side panel - 1pc</p>	<p>V1</p>  <p>Lower right side panel - 1pc</p>
<p>V2</p>  <p>Center left side panel - 1pc</p>	<p>V3</p>  <p>Center right side panel - 1pc</p>	<p>V4</p>  <p>Upper center left side panel - 1pc</p>
<p>V5</p>  <p>Upper center right side panel - 1pc</p>	<p>V6</p>  <p>Upper left side panel - 1pc</p>	<p>V7</p>  <p>Upper right side panel - 1pc</p>
<p>W</p>  <p>Lower front panel - 1pc</p>	<p>W1</p>  <p>Upper front panel - 3pcs</p>	<p>X</p>  <p>Back panel - 1pc</p>
<p>Y</p>  <p>Upper guard back - 1pc</p>		

Hardware List WF304471

1  Ø8*30mm Wood dowel (42pcs)	2  (Ø15)1/4"*100mm Hex-Head bolts (16pcs)	3  (Ø15)1/4"*80mm Hex-Head bolts (28pcs)
4  (Ø12)1/4"*70mm Hex-Head bolts (1pc)	5  (Ø12)1/4"*60mm Hex-Head bolts (56pcs)	6  (Ø12)1/4"*40mm Hex-Head bolts (2pcs)
7  (Ø12)1/4"*35mm Hex-Head bolts (2pcs)	8  (Ø12)1/4"*30mm Hex-Head bolts (14pcs)	9  (Ø12)1/4"*65mm Hex-Head bolts (4pcs)
10  (Ø12)1/4"*40mm Hex-Head bolts (32pcs)	11  1/4"*15 (9.5mm) Horizontal-Hole bolts(101pcs)	12  40*17*17*1.6mm Metal bracket (3pcs)
13  (1/4")4.5*58mm Allen key (2pcs)	14  Ø4*30mm Wood screws (32pcs)	15  Ø3.5*12mm Wood screws (24pcs)
16  45*17*13mm Door catch (3pcs)	17  42*12*1mm Metal magnet (3pcs)	18  Ø10*40mm Wood dowel (8pcs)
19  Ø3.5*15mm Wood screws (12pcs)	20  (Ø13)1/4"*14mm Connect bolt (2pcs)	21  116*40*27mm Metal bracket (2pcs)
22  Ø3.5*15mm Wood screws (24pcs)		





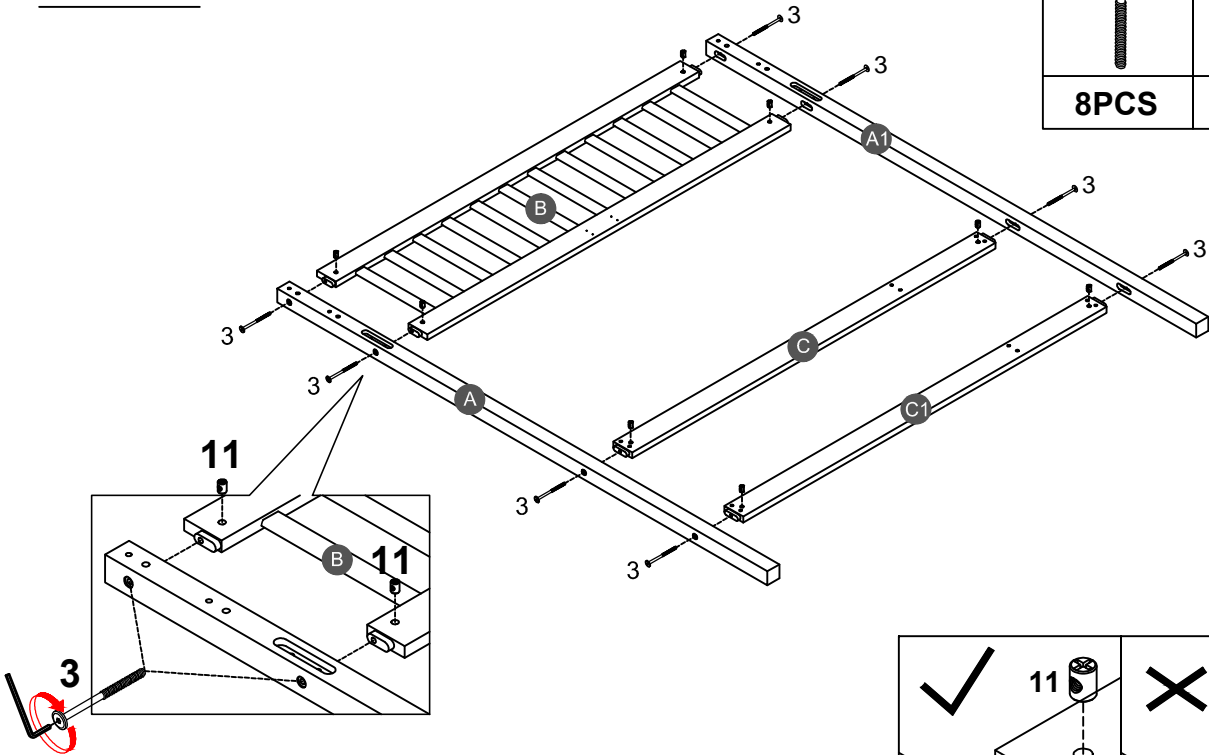
ASSEMBLY TOOLS REQUIRED (NOT INCLUDED)



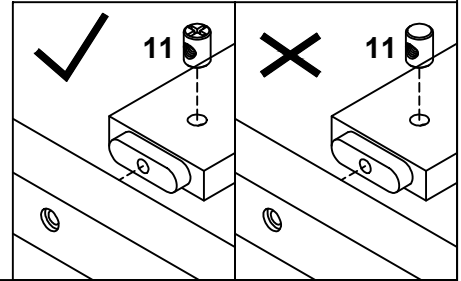
PLEASE BE CAREFUL DO NOT DAMAGE THE HOLE POSITION WHEN YOU USE POWER TOOLS !

STEP 1:



3		11	
8PCS		8PCS	

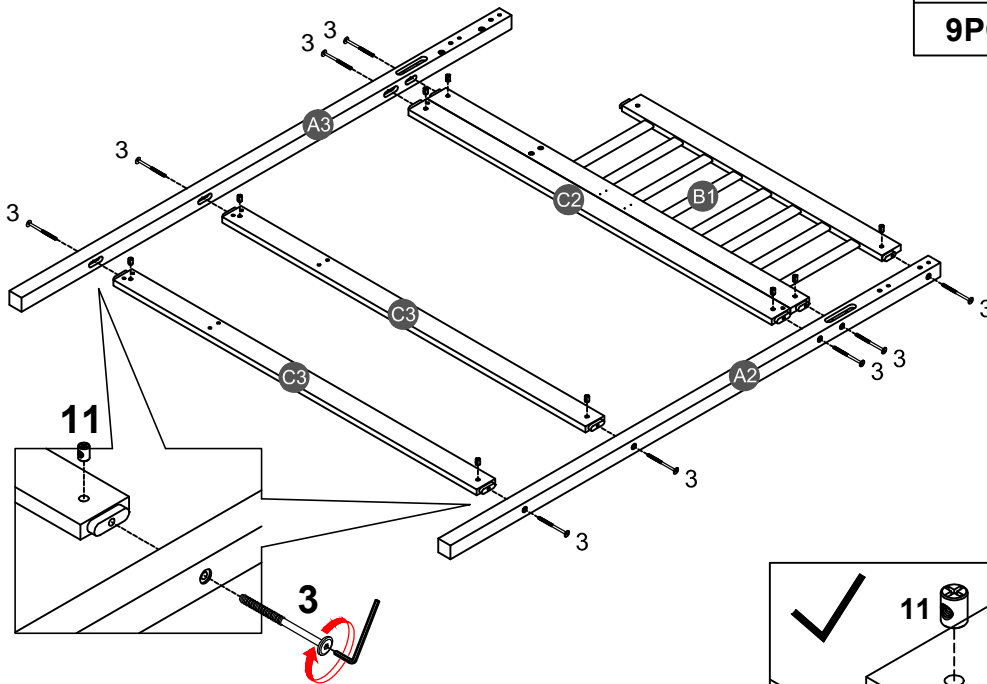


Note: Part 11 will face up with the "x" mark on it, otherwise it cannot be tightened

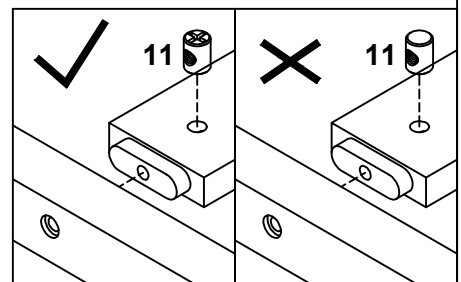


STEP 2:

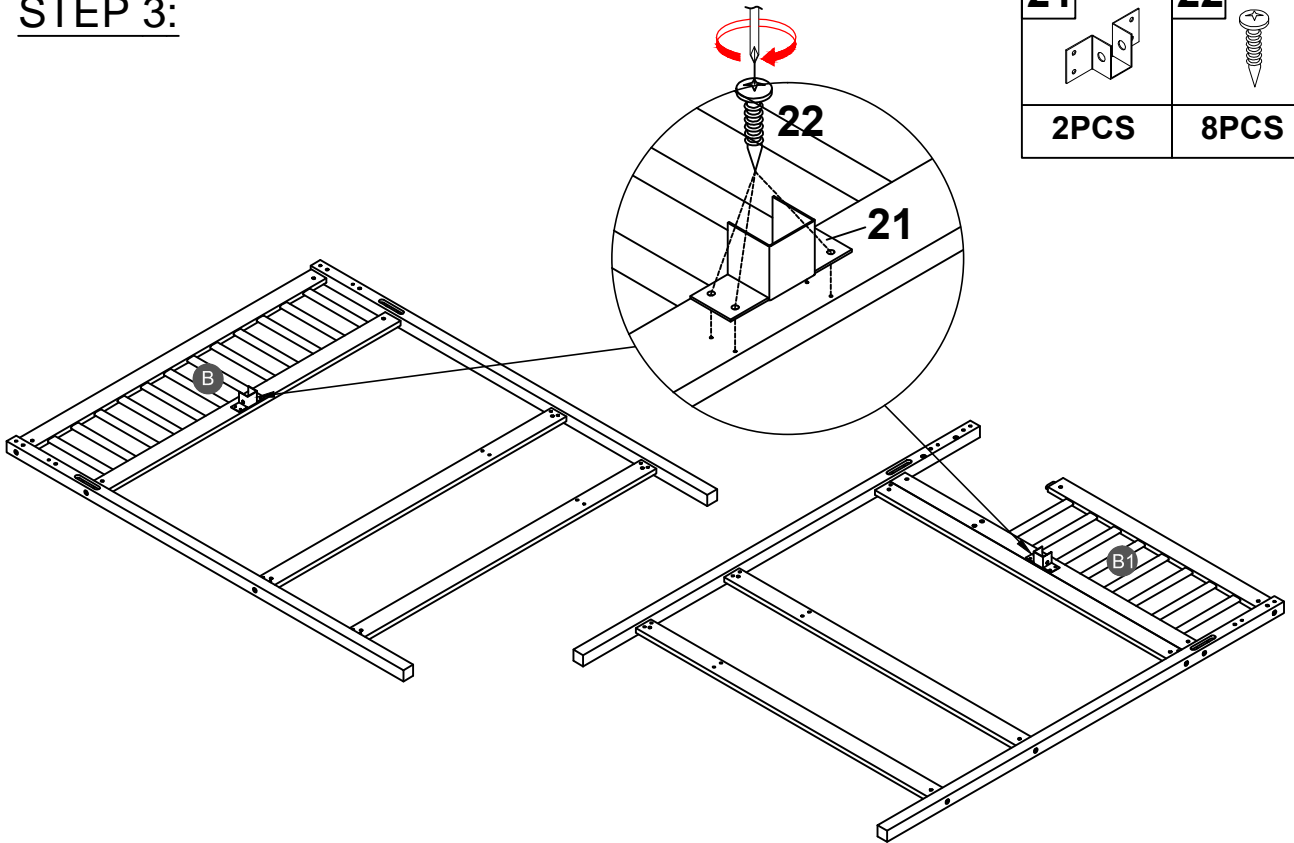
3		11	
9PCS		9PCS	

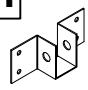



Note: Part 11 will face up with the "x" mark on it, otherwise it cannot be tightened

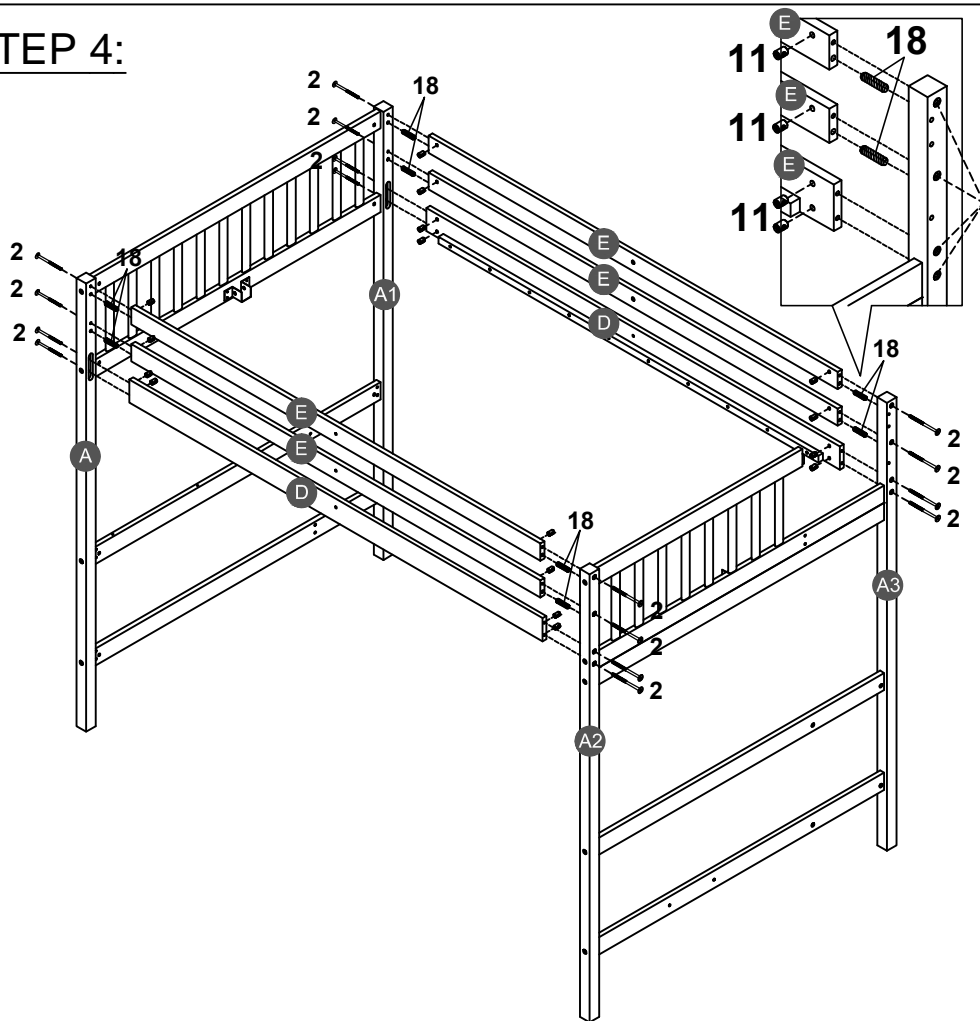





STEP 3:






21		22	
	2PCS		8PCS

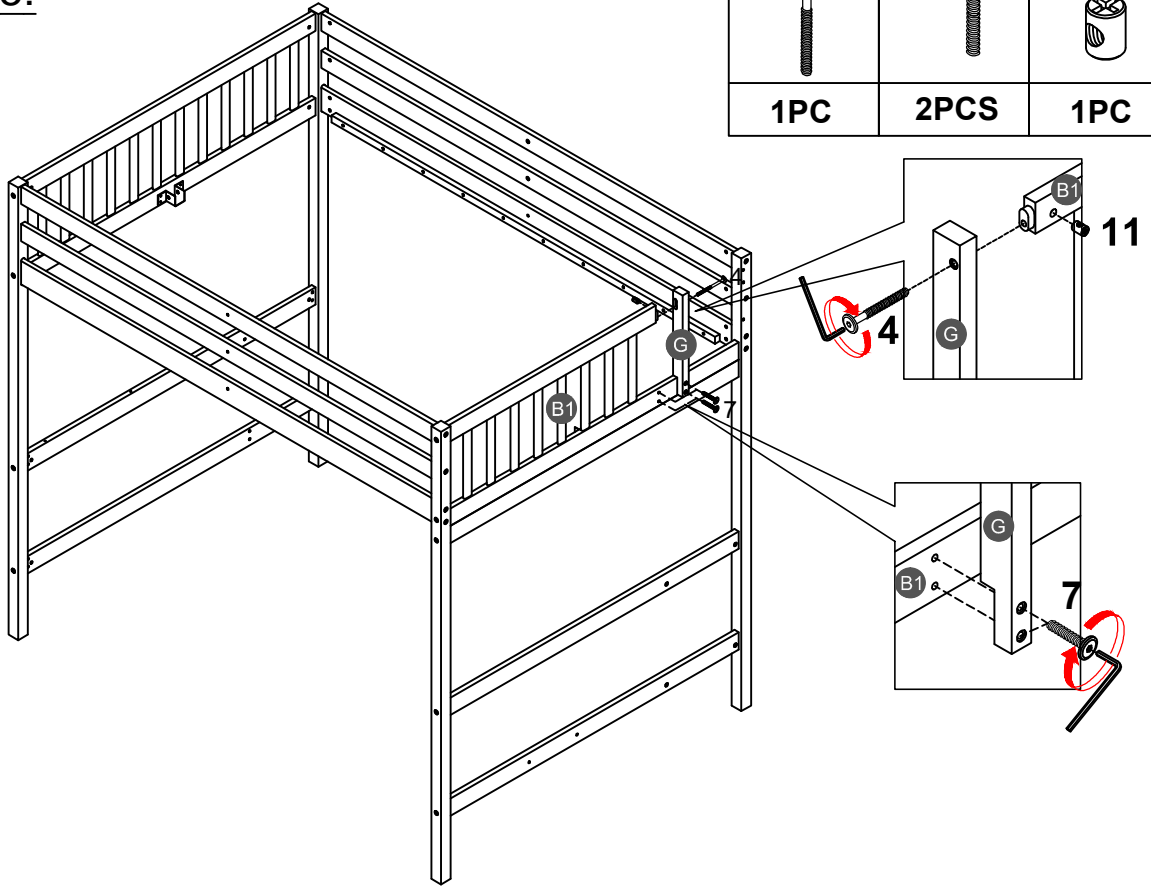
STEP 4:




2	
	16PCS
11	
	16PCS
18	
	8PCS

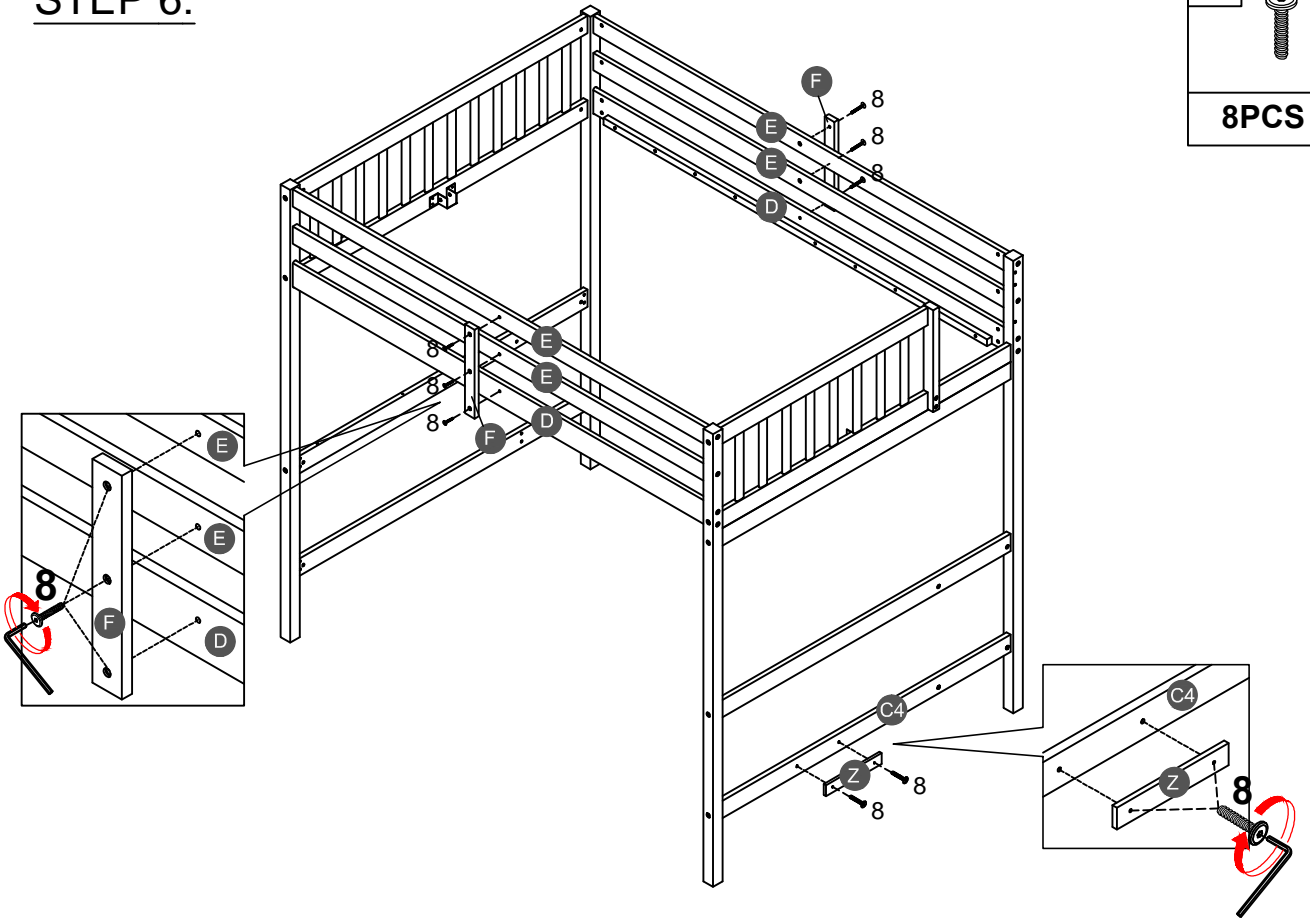
STEP 5:

4		7		11	
1PC		2PCS		1PC	

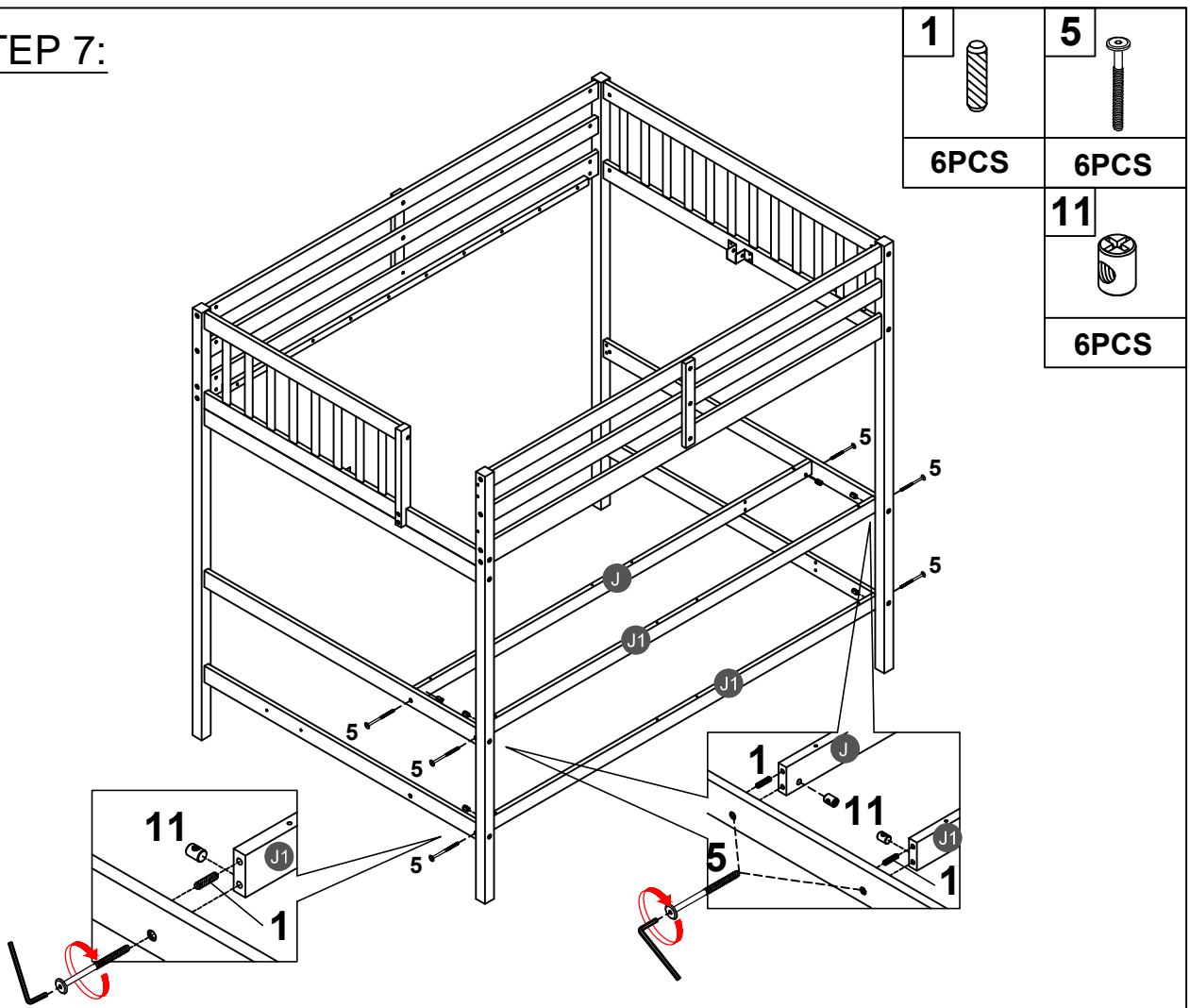


STEP 6:

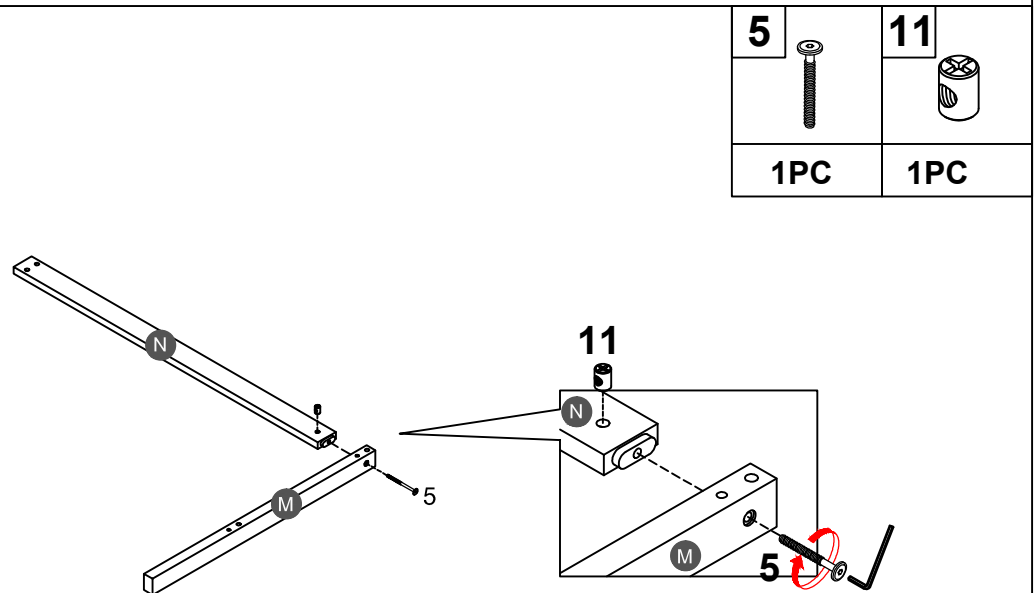
8	
8PCS	






STEP 7:

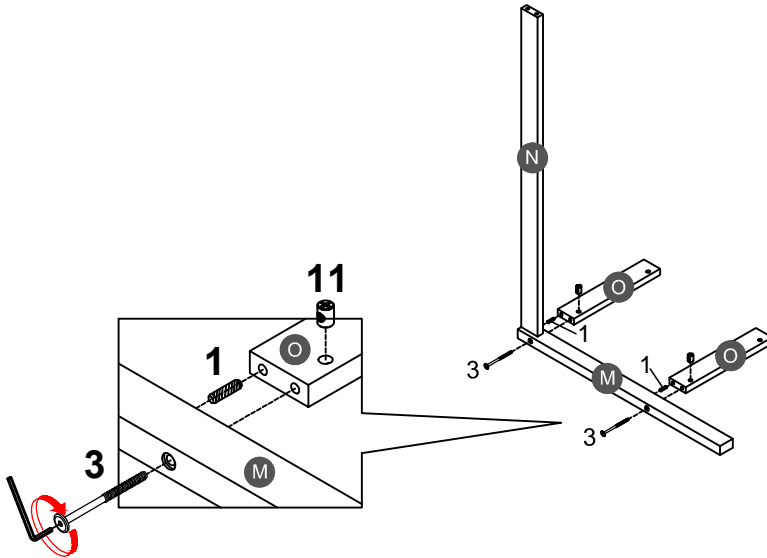


STEP 8:






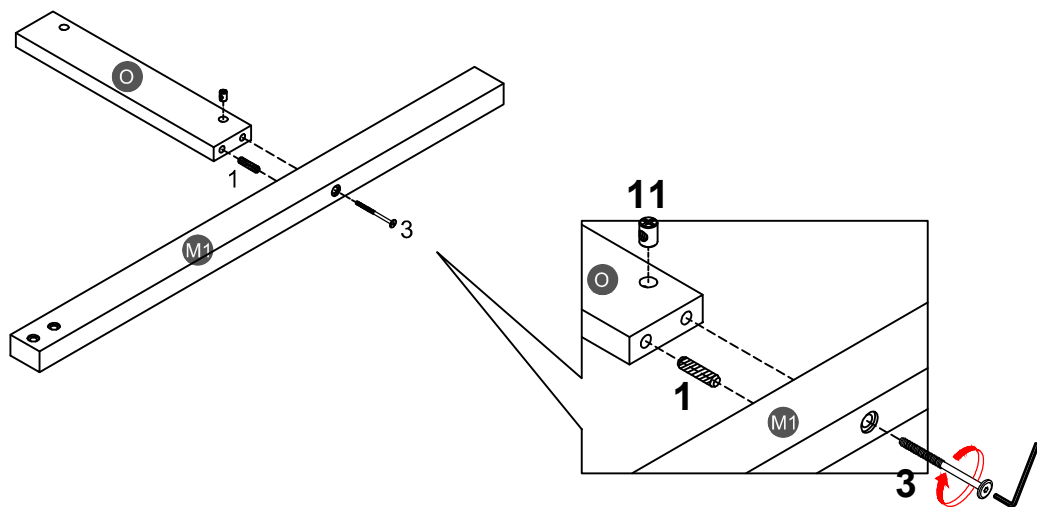
STEP 9:

1 	3 	11 
2PCS	2PCS	2PCS

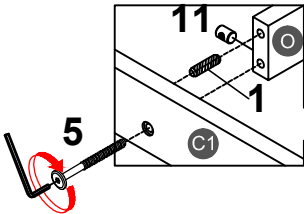
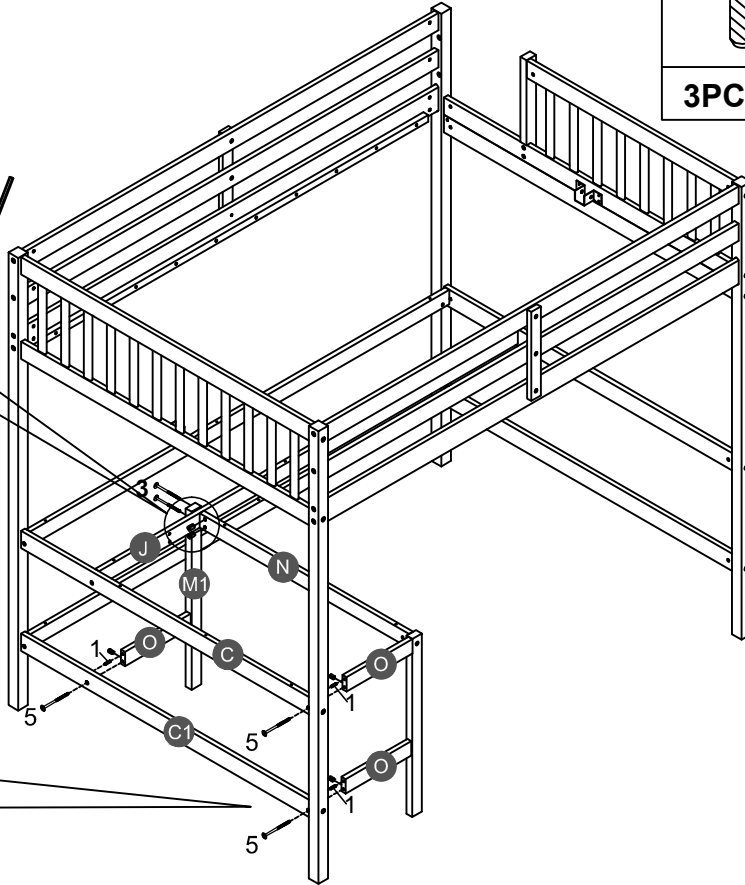
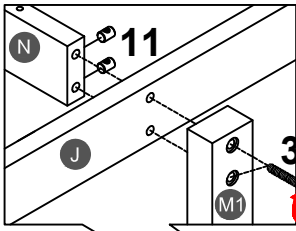


STEP 10:

1 	3 	11 
1PC	1PC	1PC

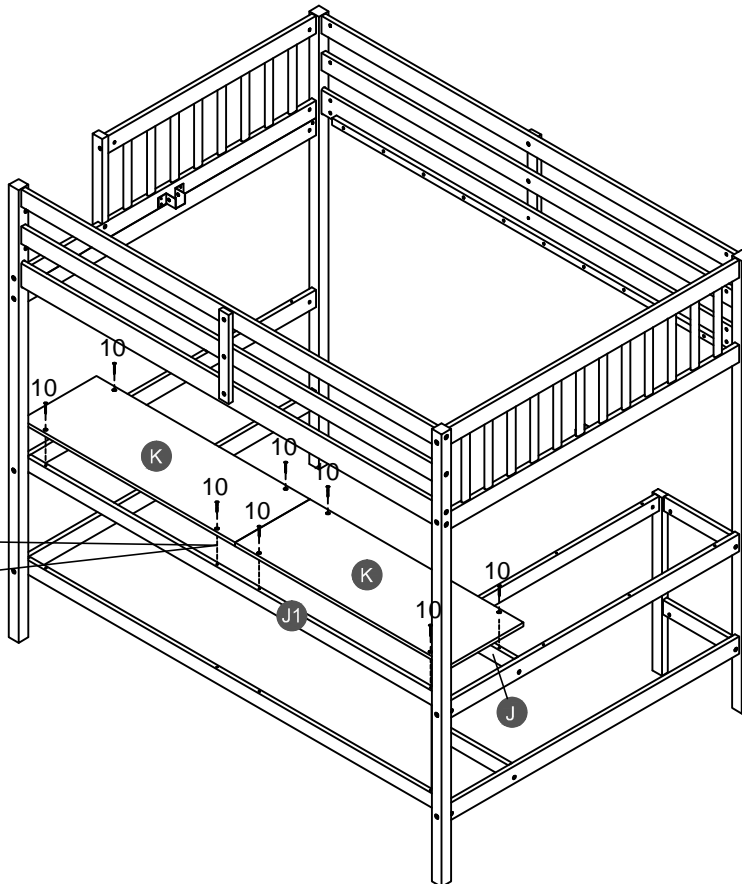
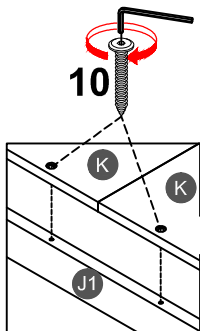


STEP 11:




1		3	
3PCS		2PCS	
5		11	
3PCS		5PCS	

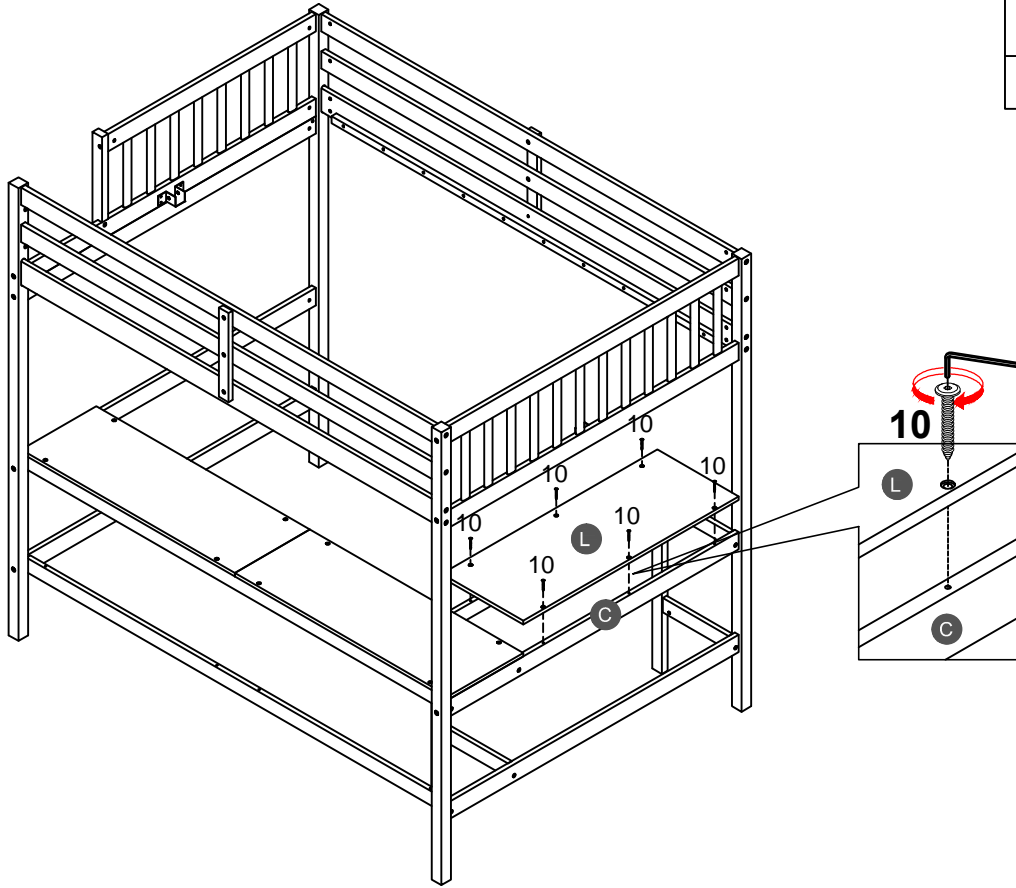
STEP 12:





10	
8PCS	

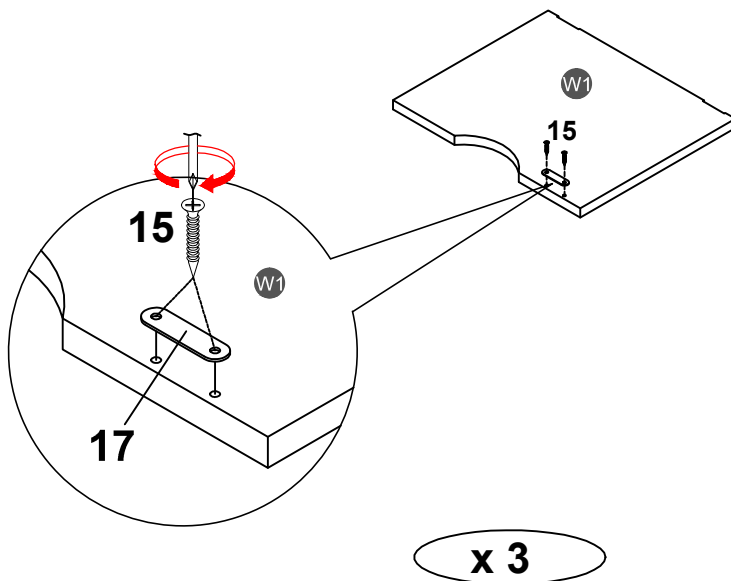
STEP 13:

10	
6PCS	

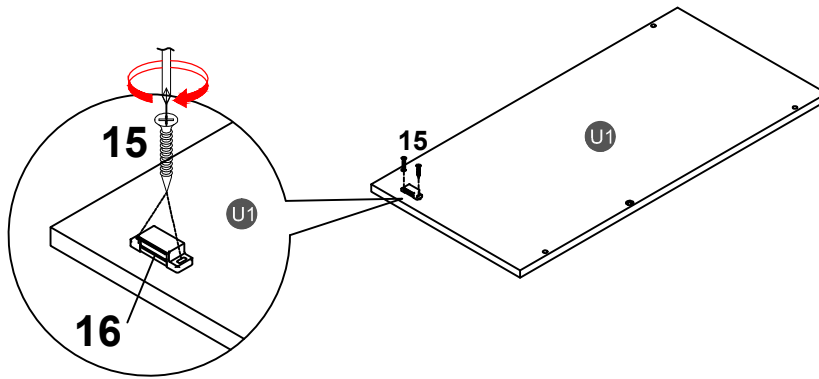



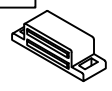
STEP 14:

15		17	
6PCS		3PCS	

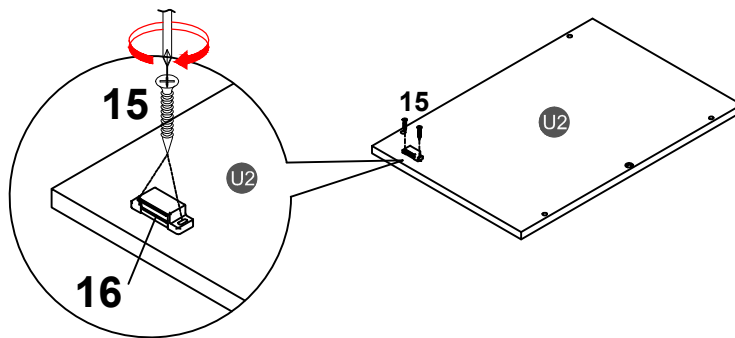



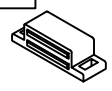
STEP 15:



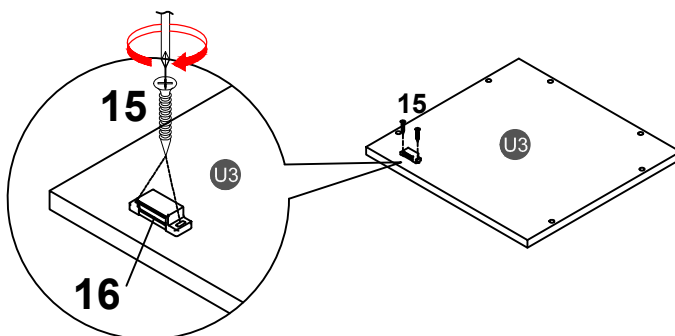
15		16	
2PCS		1PC	


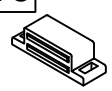
STEP 16:



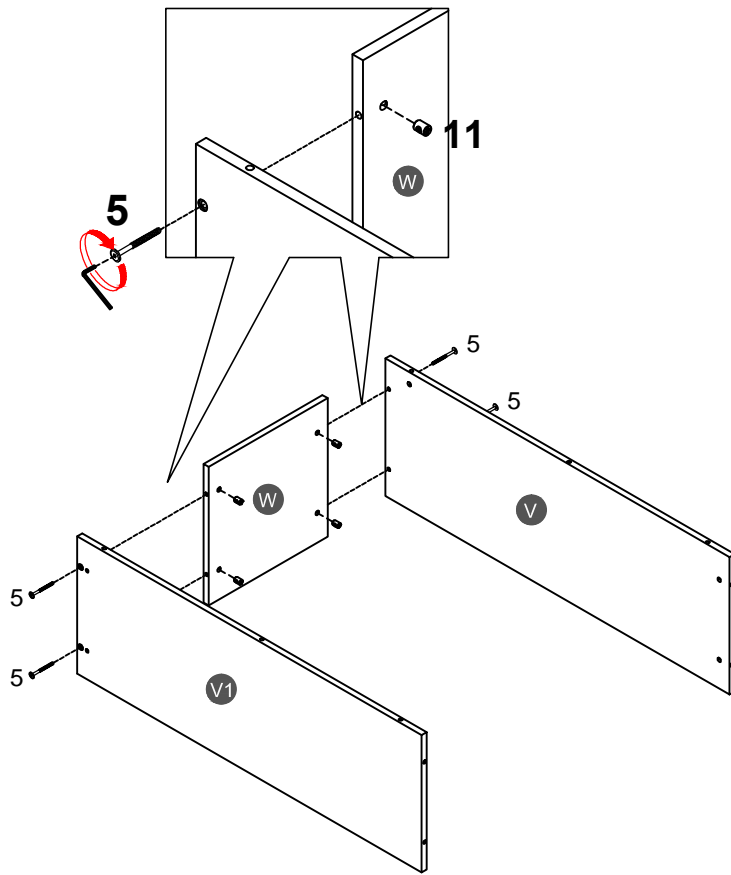
15		16	
2PCS		1PC	



STEP 17:



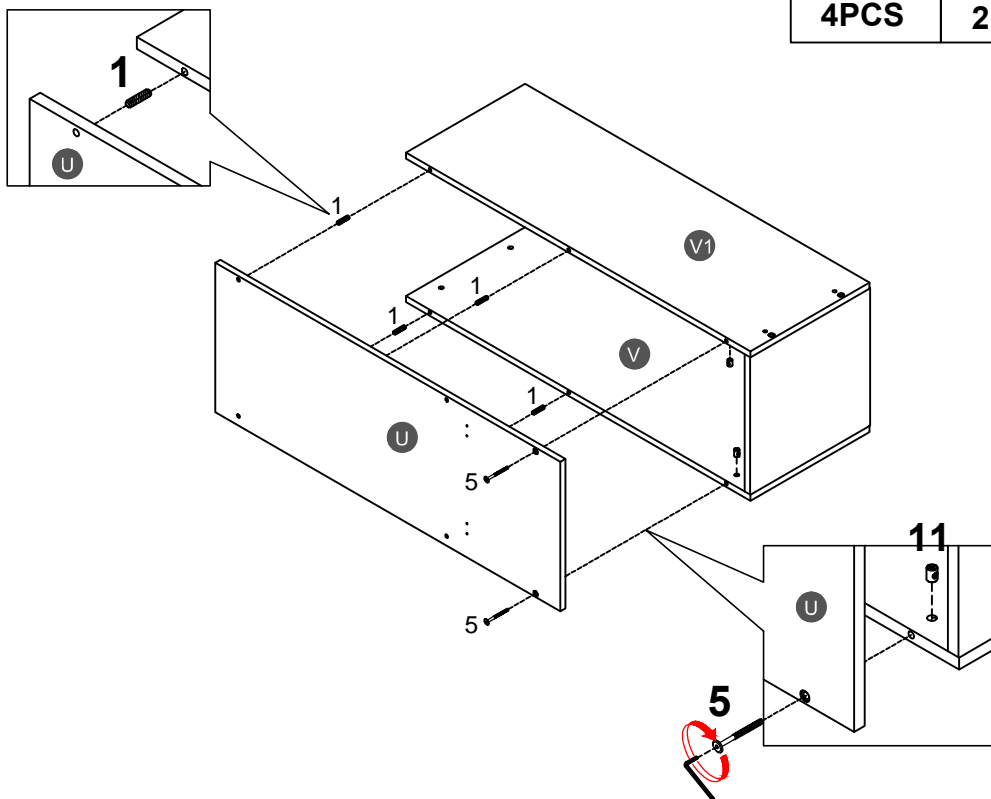
15		16	
2PCS		1PC	




STEP 18:






5		11	
4PCS		4PCS	

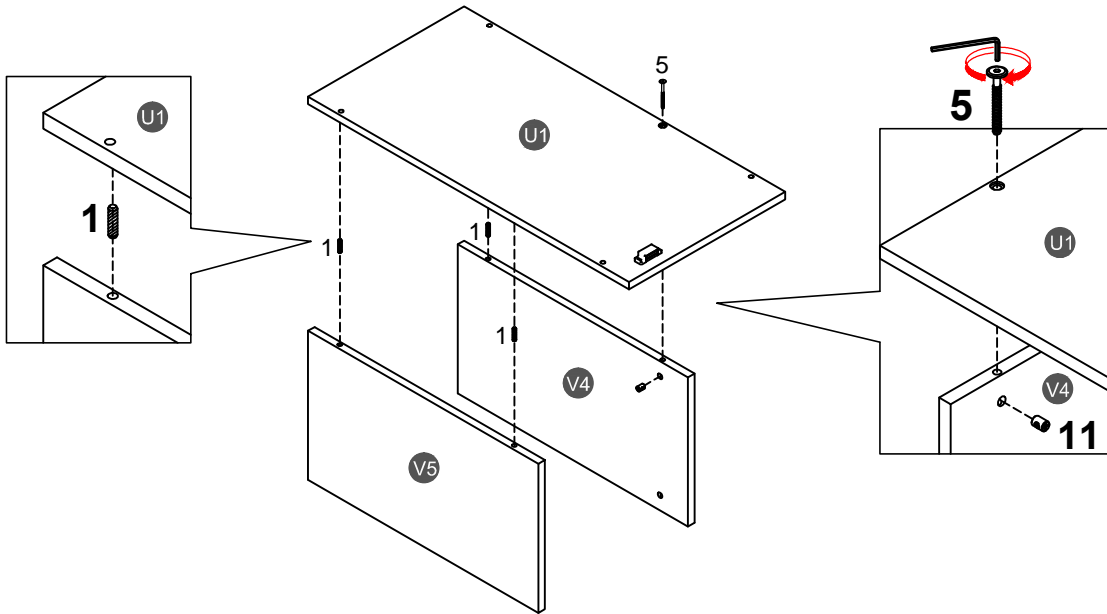
STEP 19:





1		5		11	
4PCS		2PCS		2PCS	

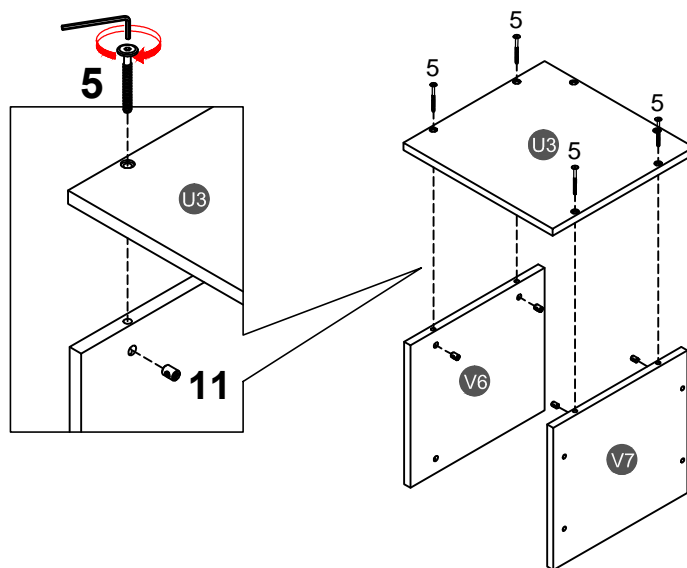
STEP 20:

1		5		11	
3PCS		1PC		1PC	

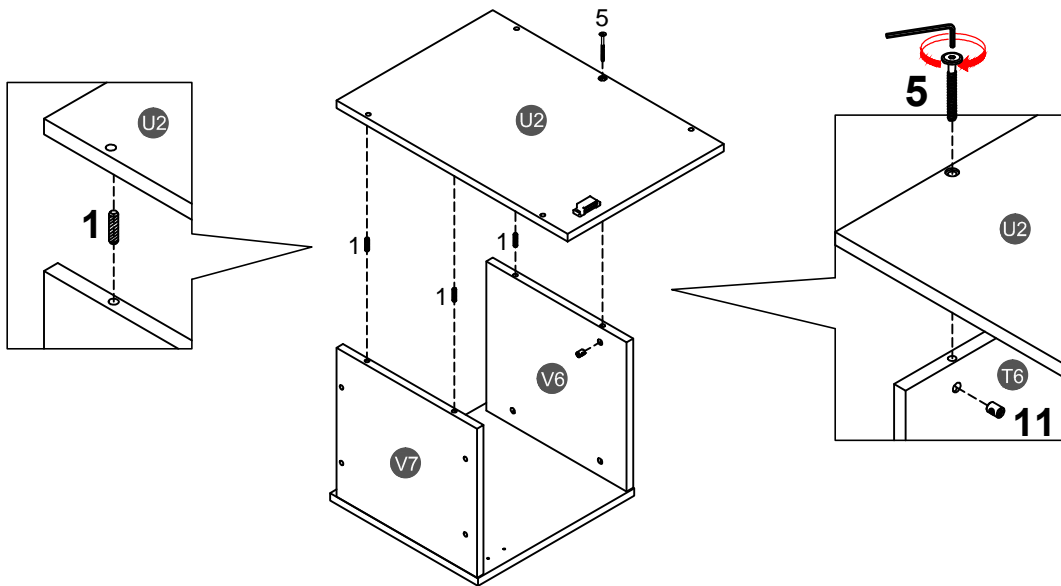


STEP 21:

5		11	
4PCS		4PCS	



STEP 22:



1



3PCS

5



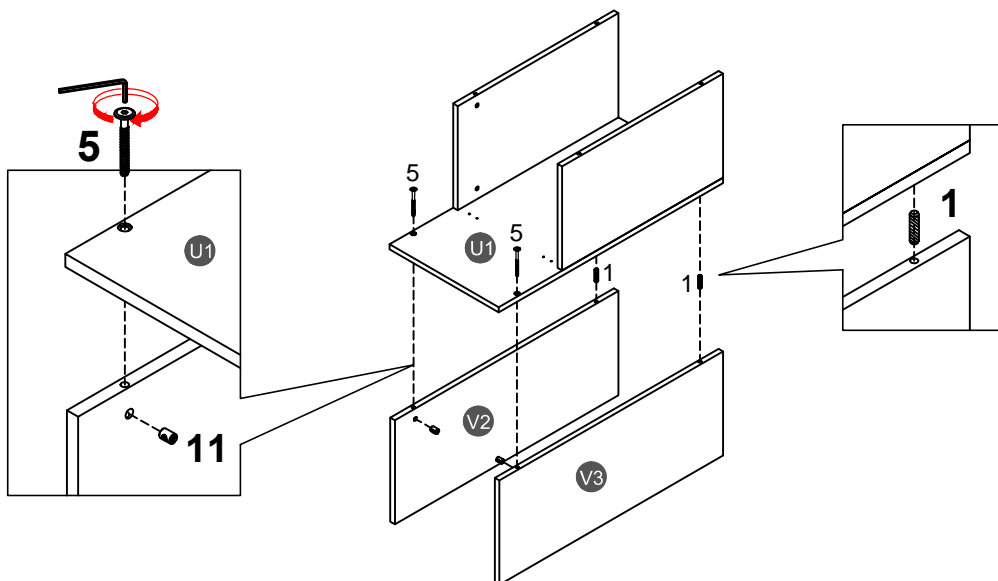
1PC

11



1PC

STEP 23:



1



2PCS

5



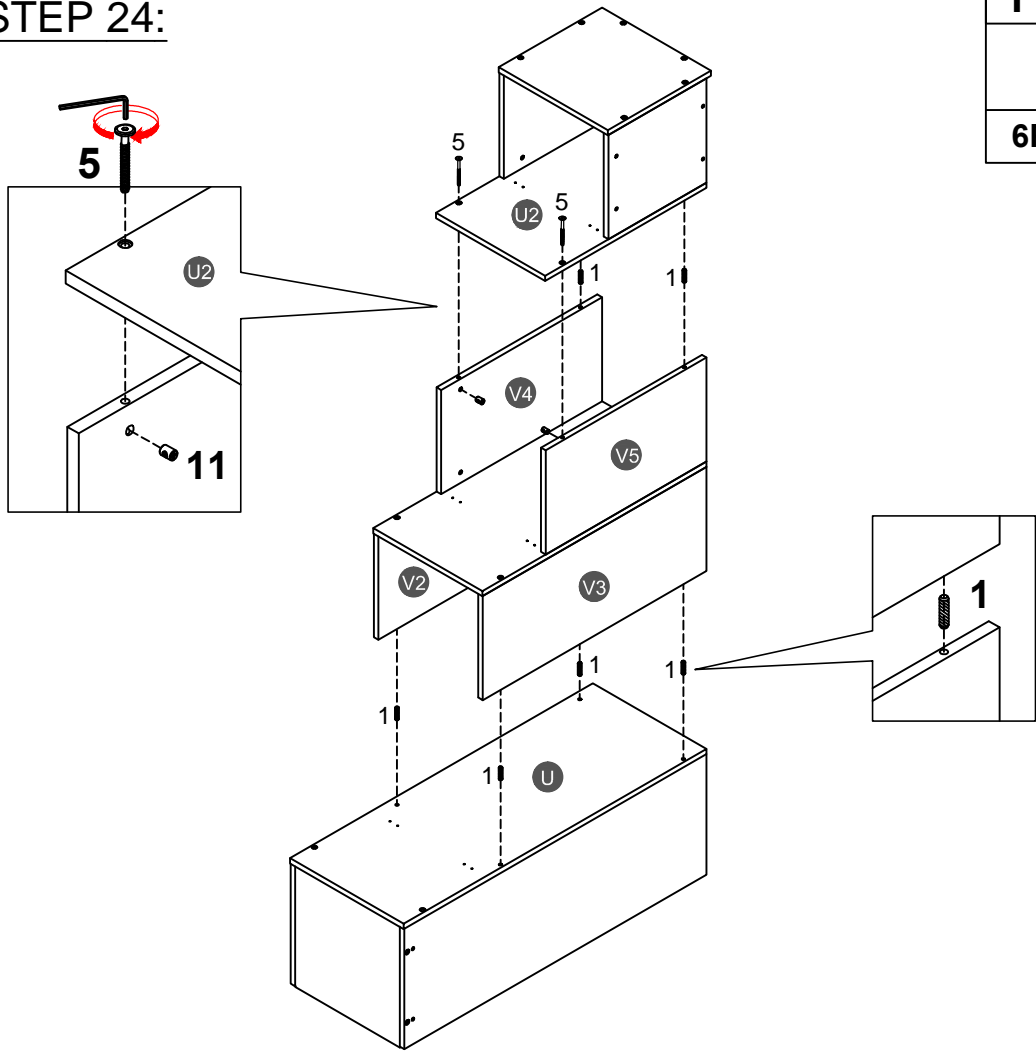
2PCS

11



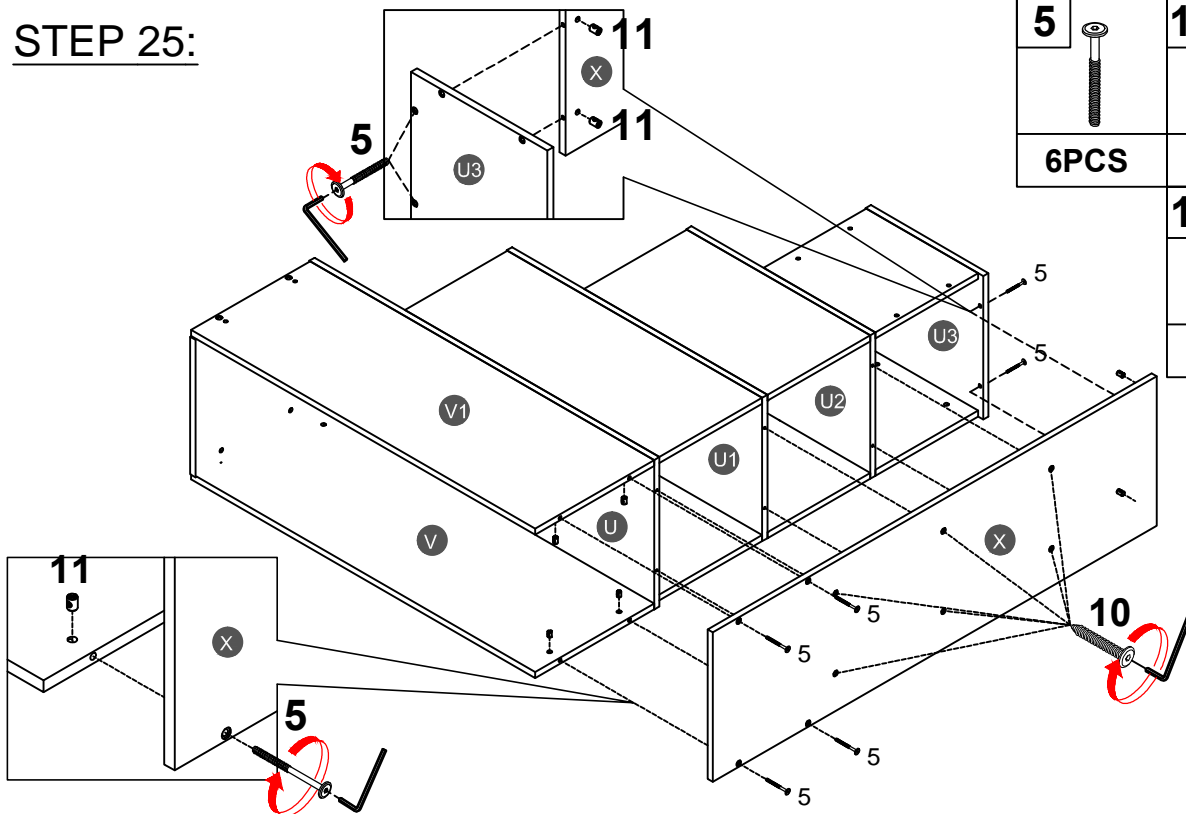
2PCS

STEP 24:




1		5	
6PCS		2PCS	
		11	
		2PCS	

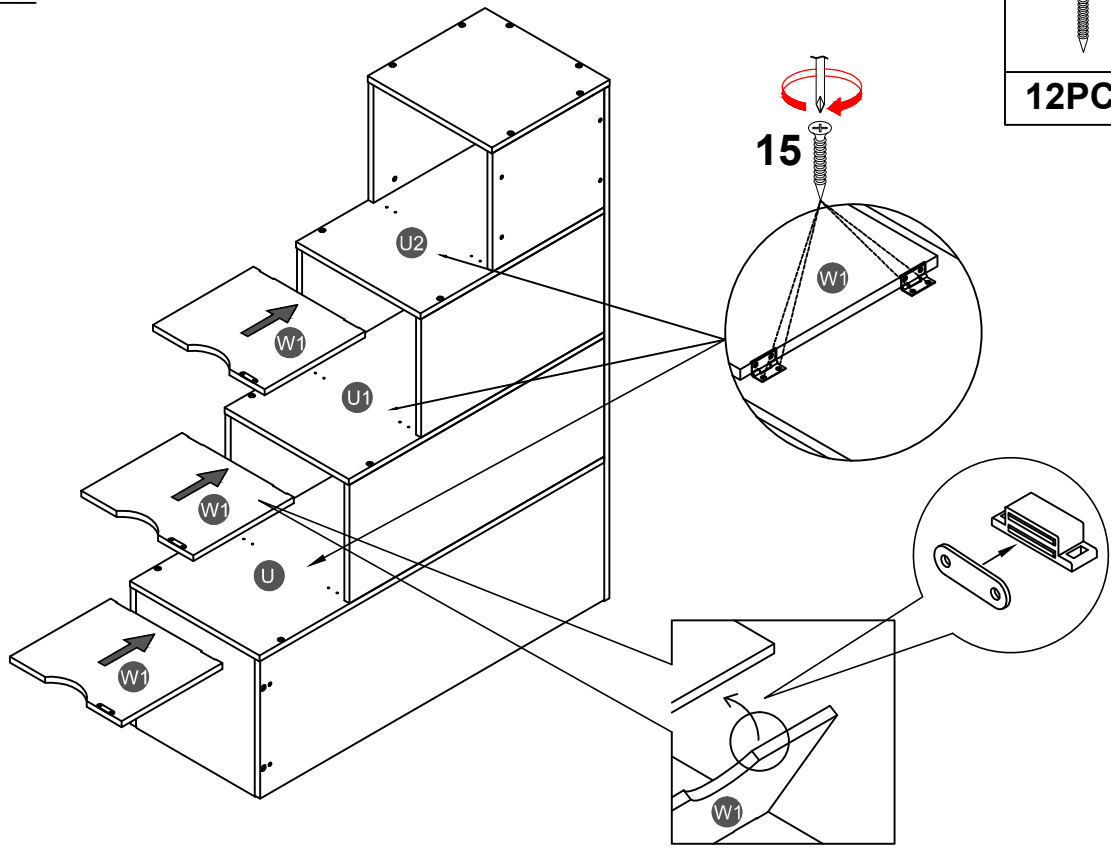
STEP 25:




5		10	
6PCS		6PCS	
		11	
		6PCS	

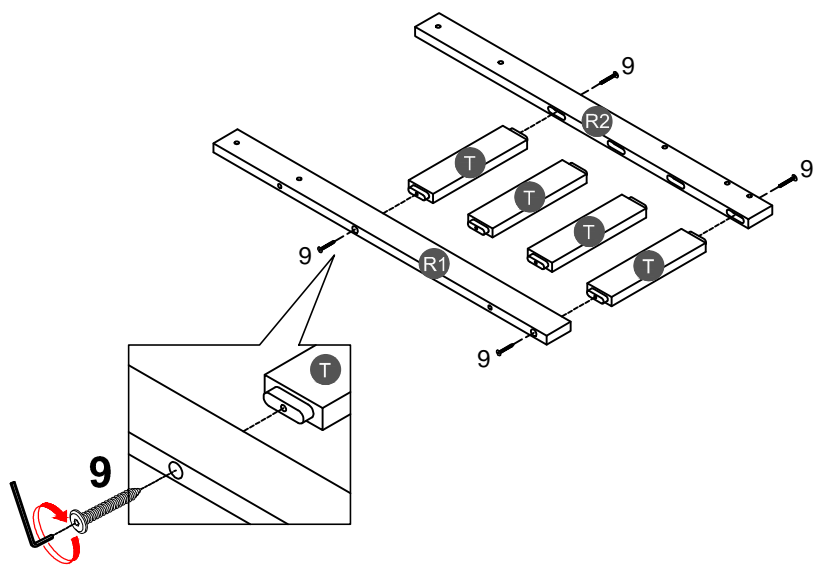
STEP 26:

15

12PCS





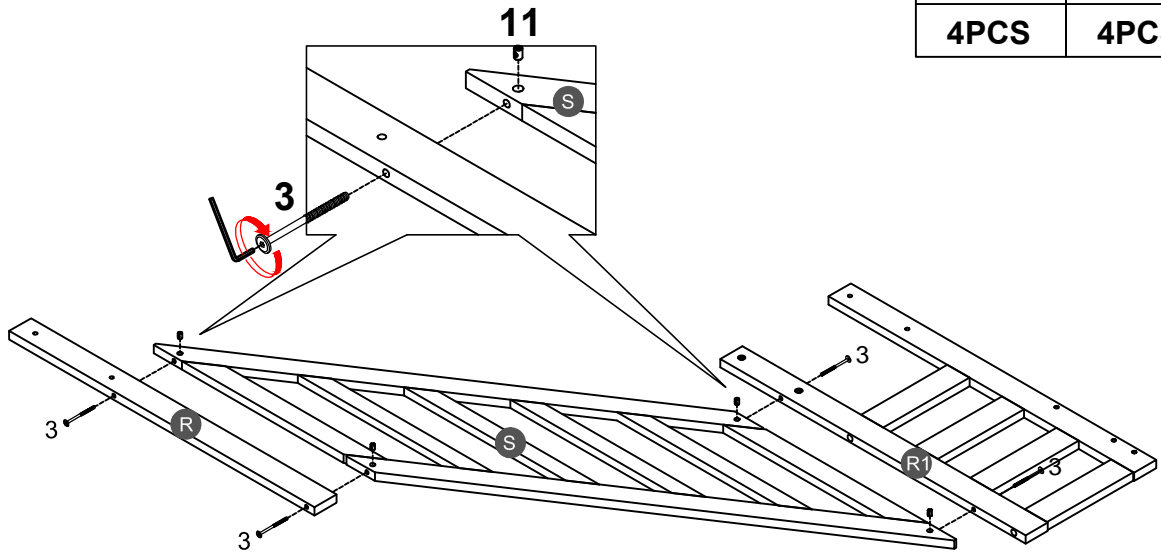
STEP 27:

9

4PCS




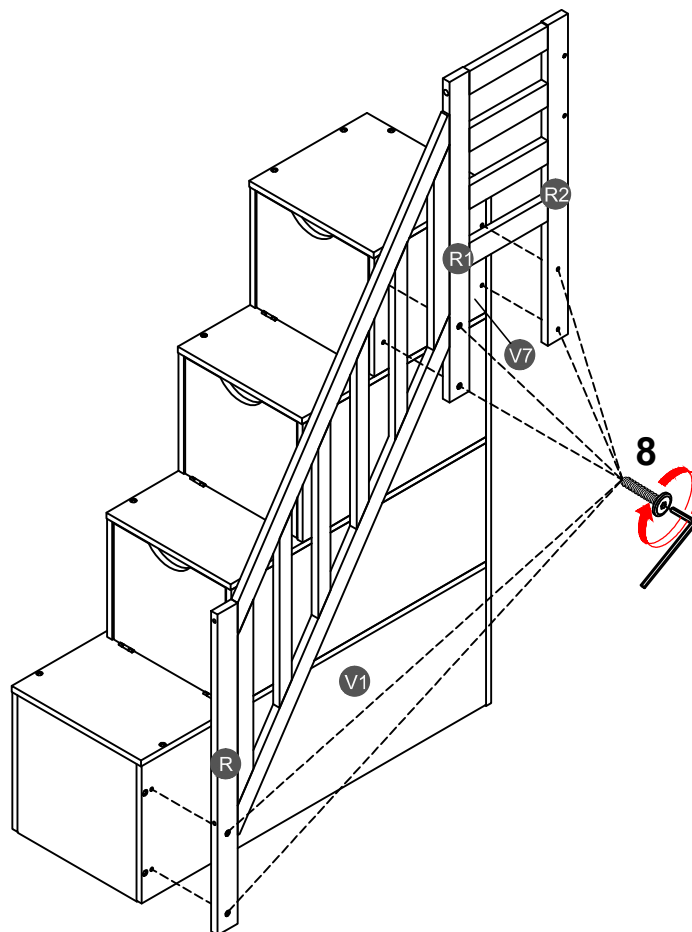
STEP 28:

3		11	
4PCS		4PCS	






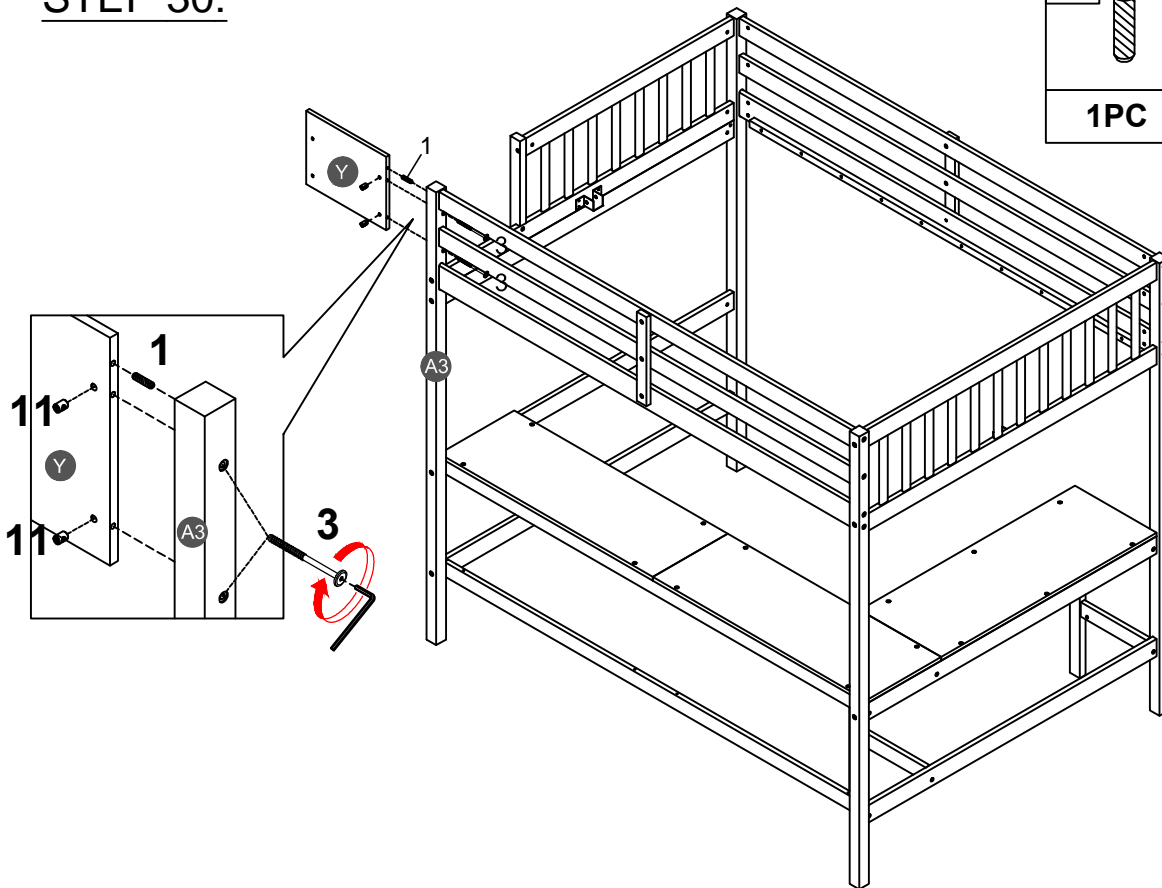
STEP 29:

8	
6PCS	






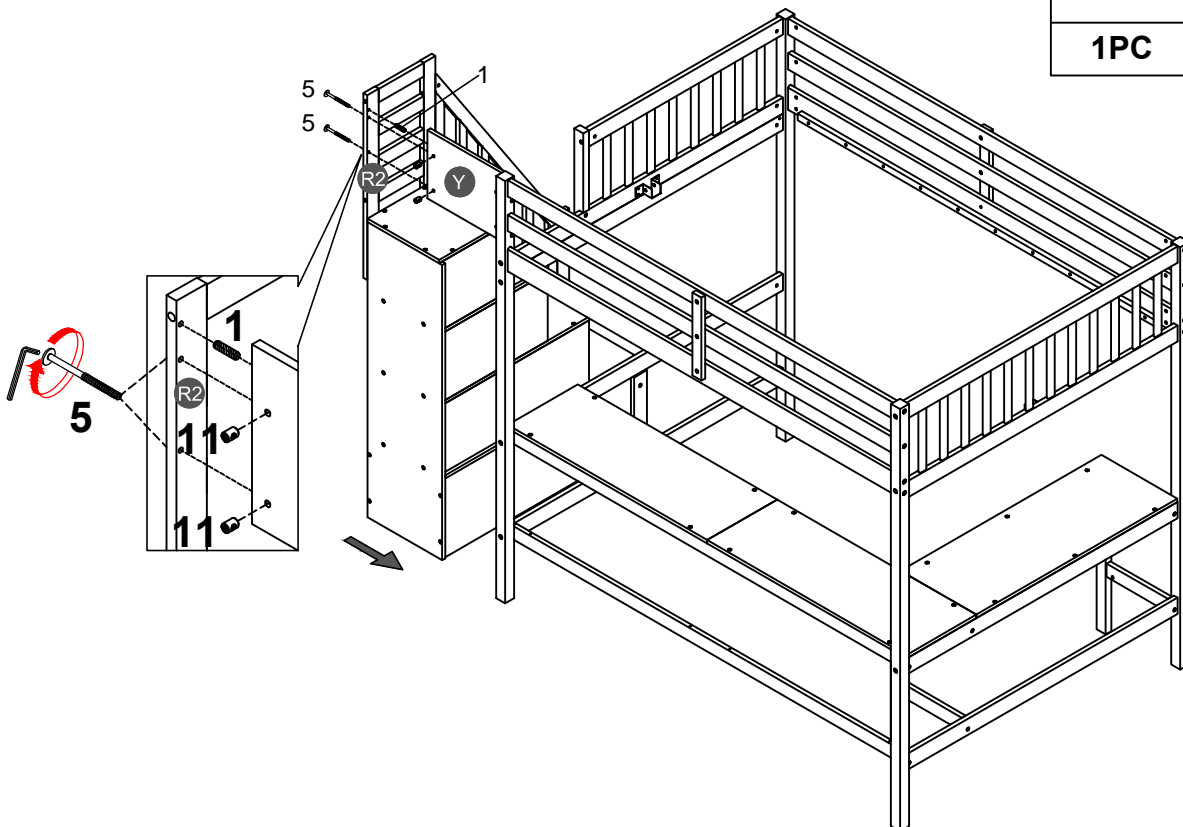
STEP 30:

1		3	
	1PC		2PCS
11			
	2PCS		

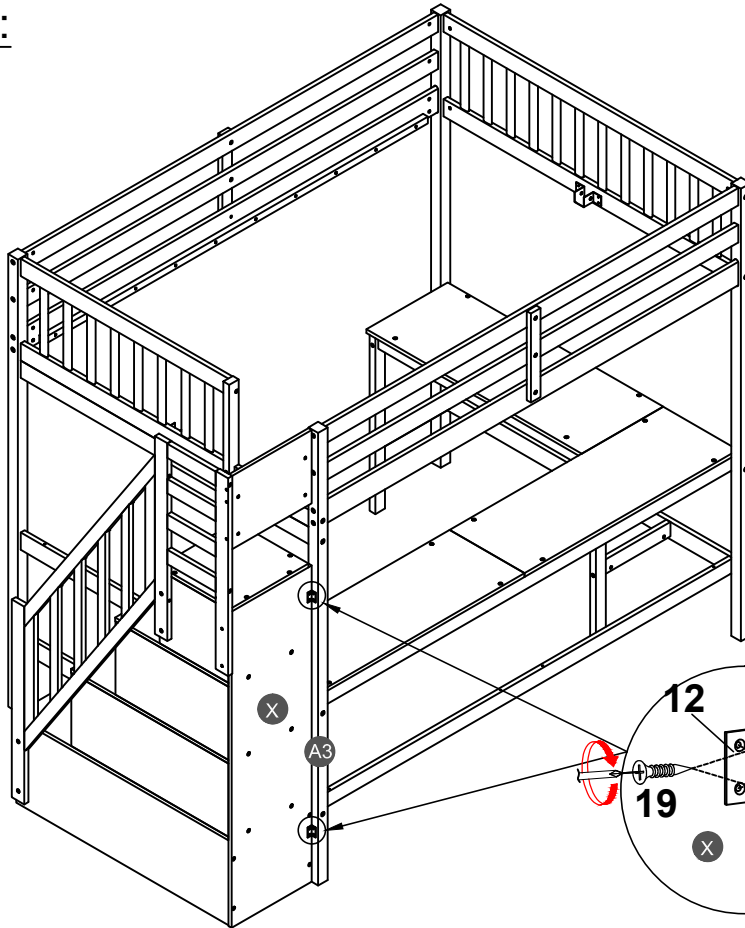




STEP 31:

1		5	
	1PC		2PCS
11			
	2PCS		

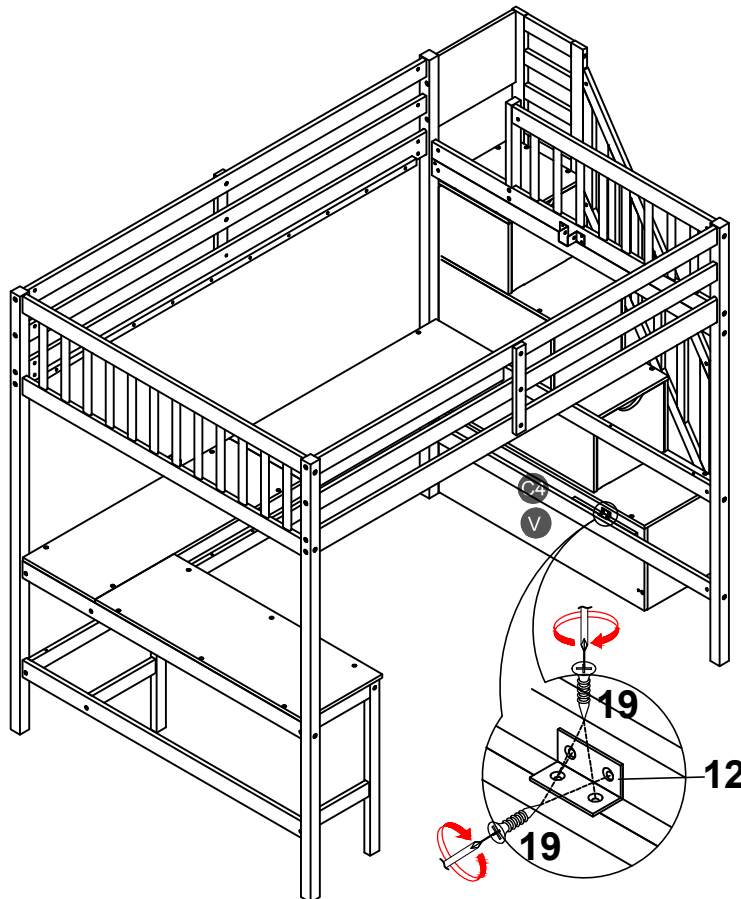


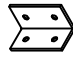

STEP 32:




12 	19 
2PCS	8PCS

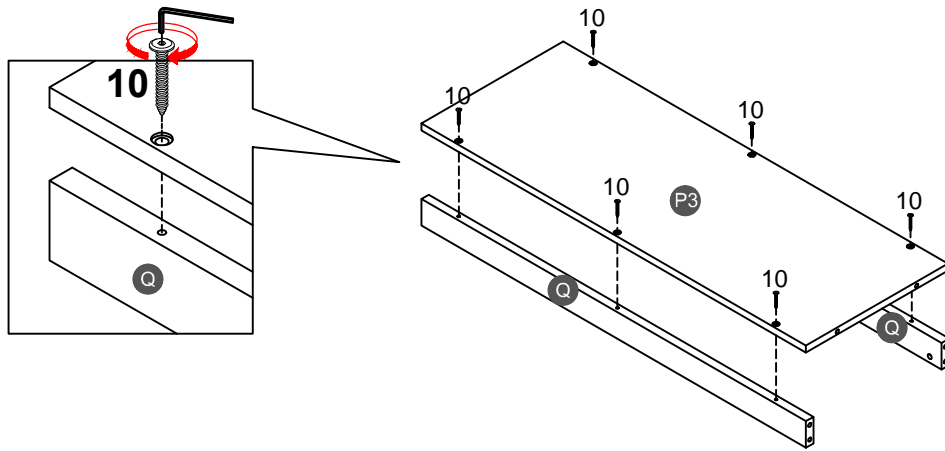
STEP 33:



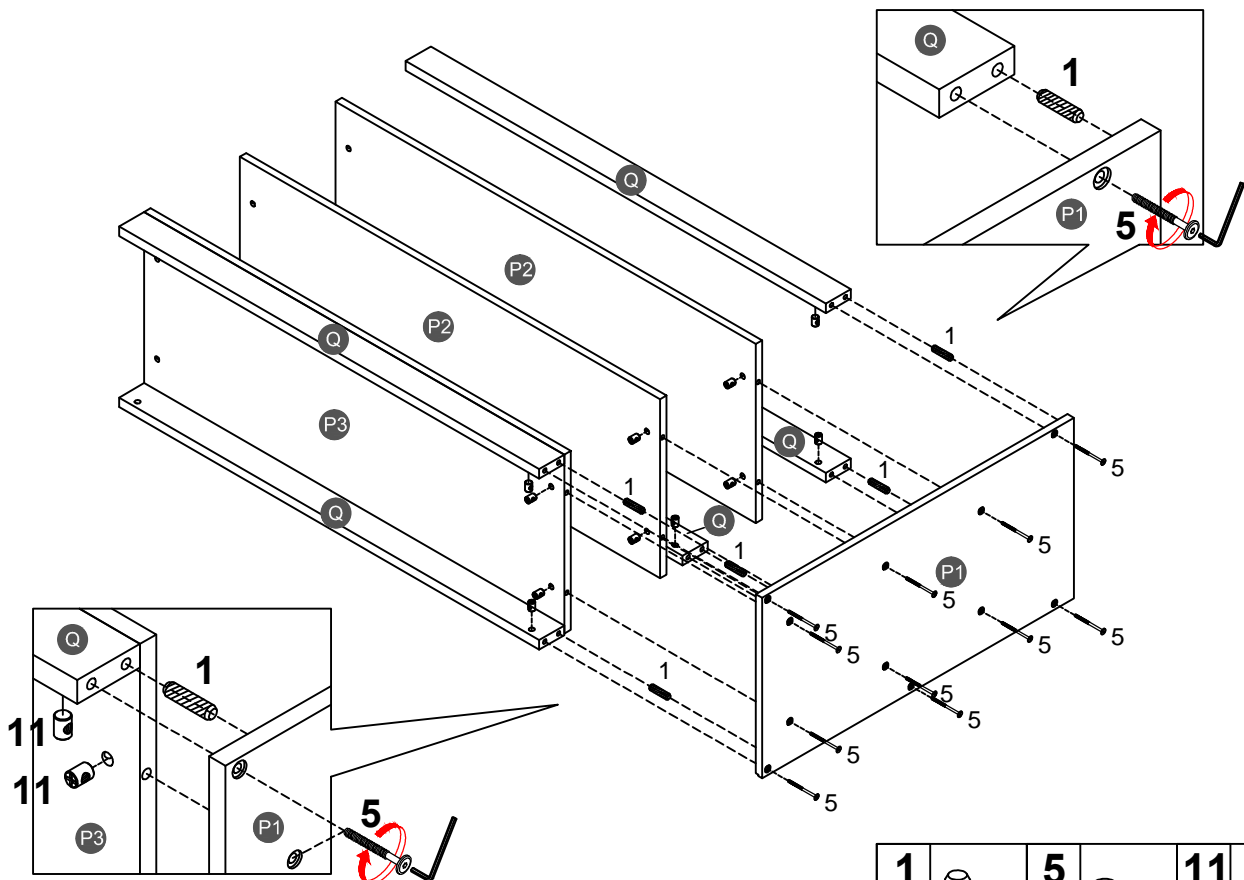
12 	19 
1PC	4PCS




STEP 34:

10	
6PCS	






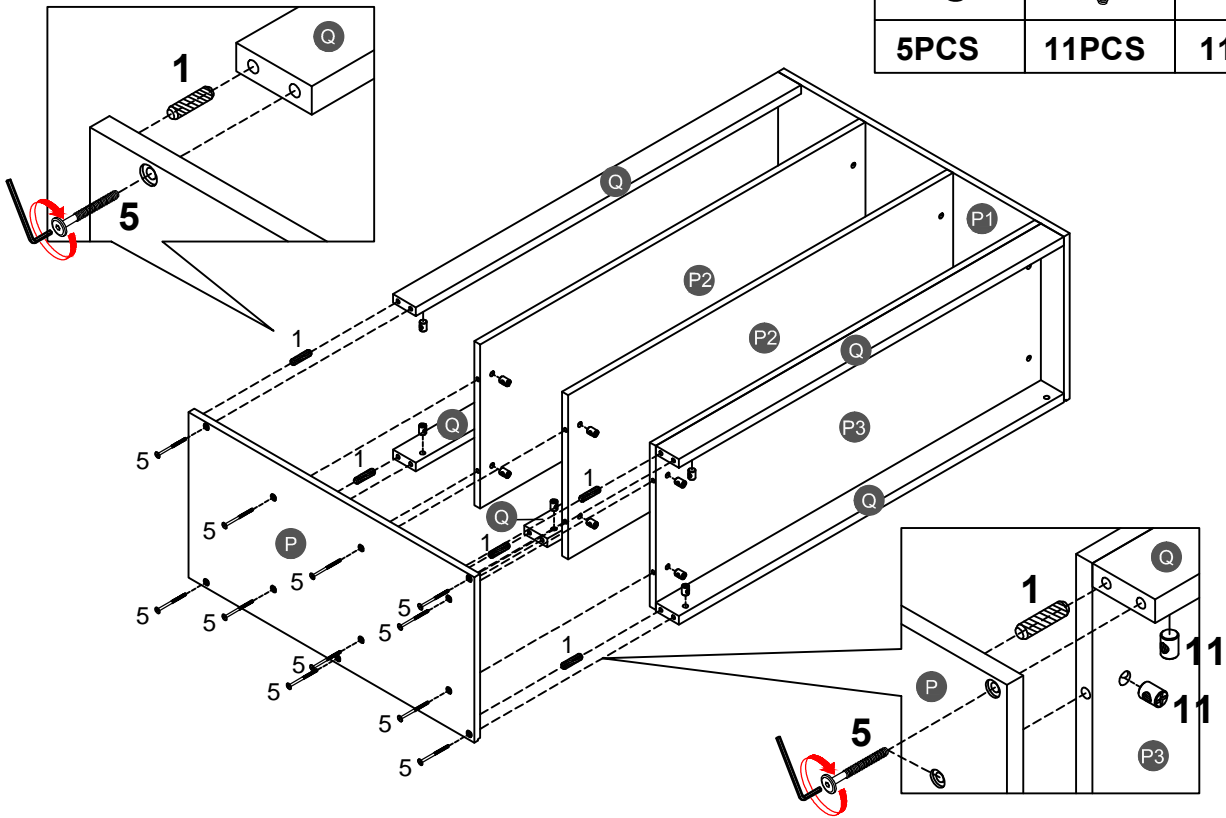
STEP 35:




1		5		11	
5PCS		11PCS		11PCS	

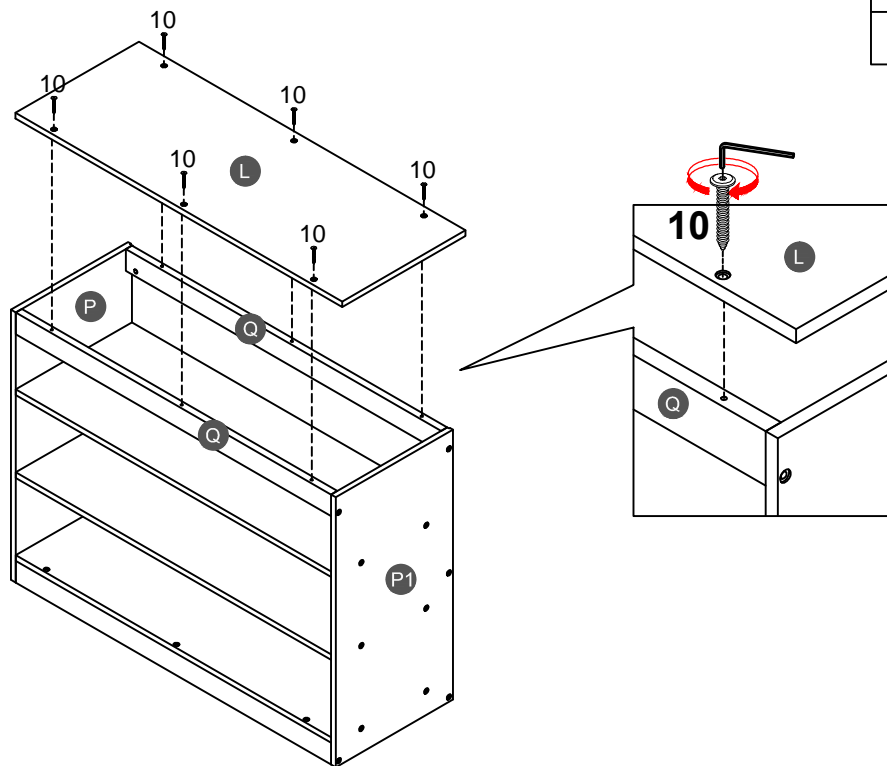
STEP 36:

1		5		11	
5PCS		11PCS		11PCS	



STEP 37:

10	
6PCS	

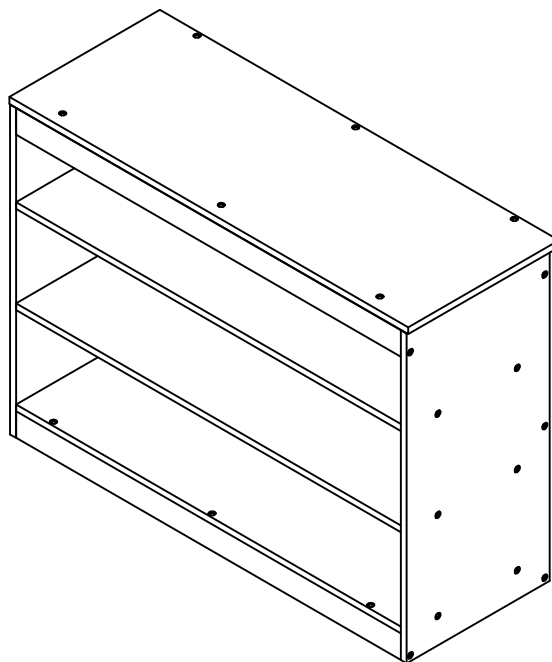
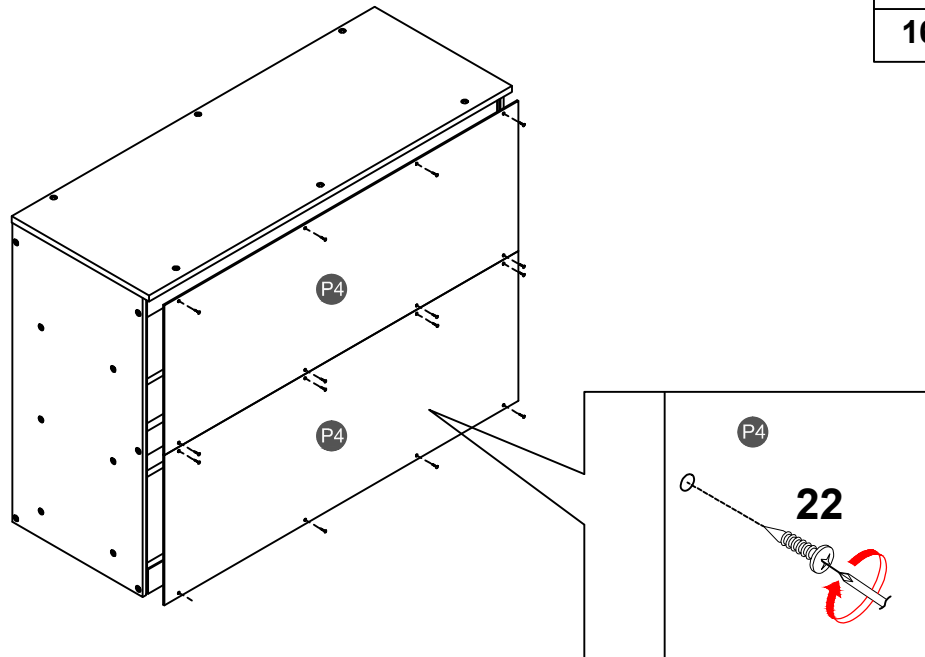


STEP 38:

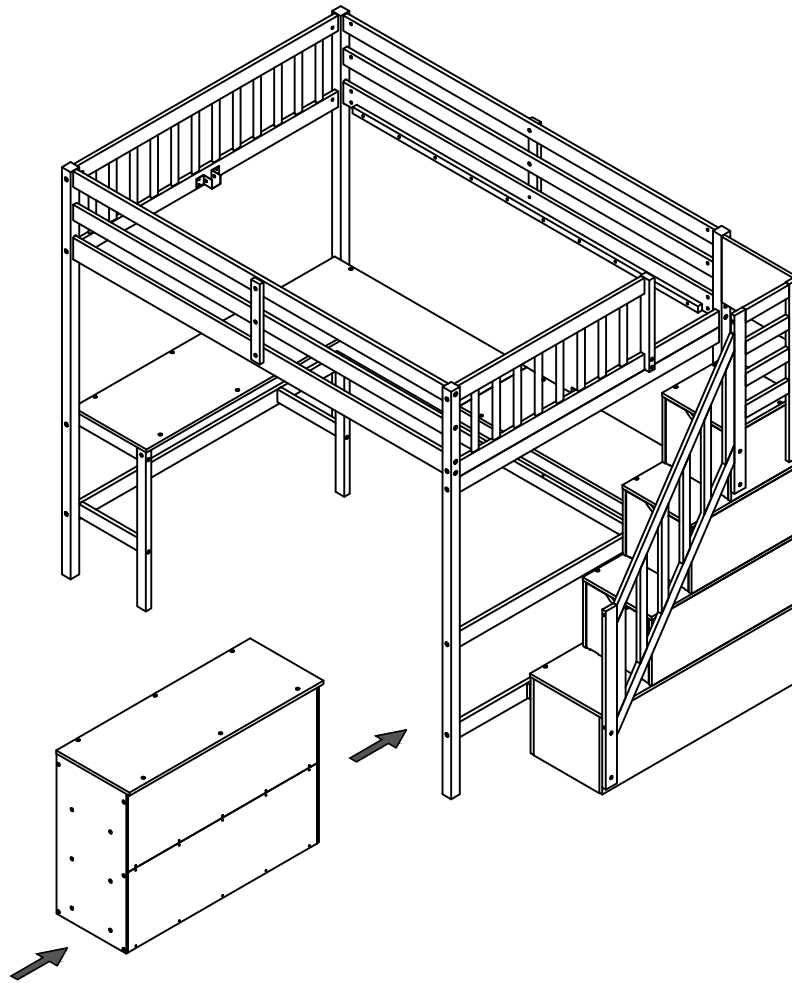
22



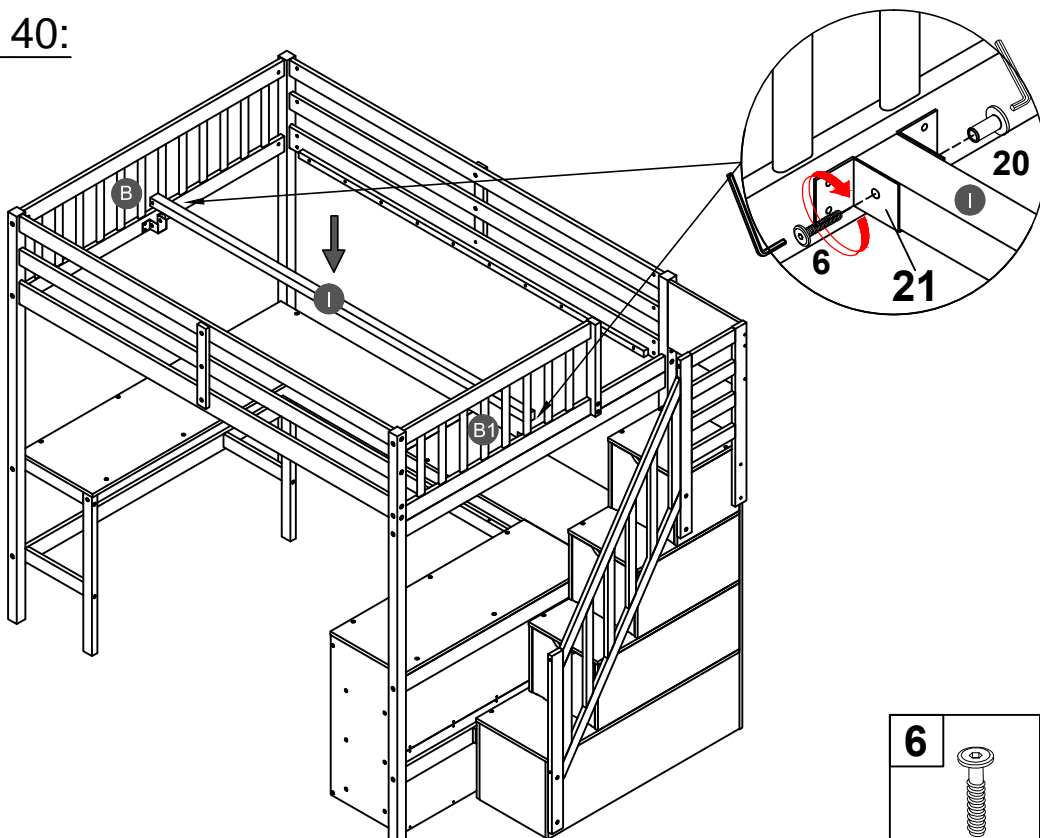
16PCS

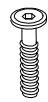
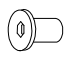


STEP 39:



STEP 40:



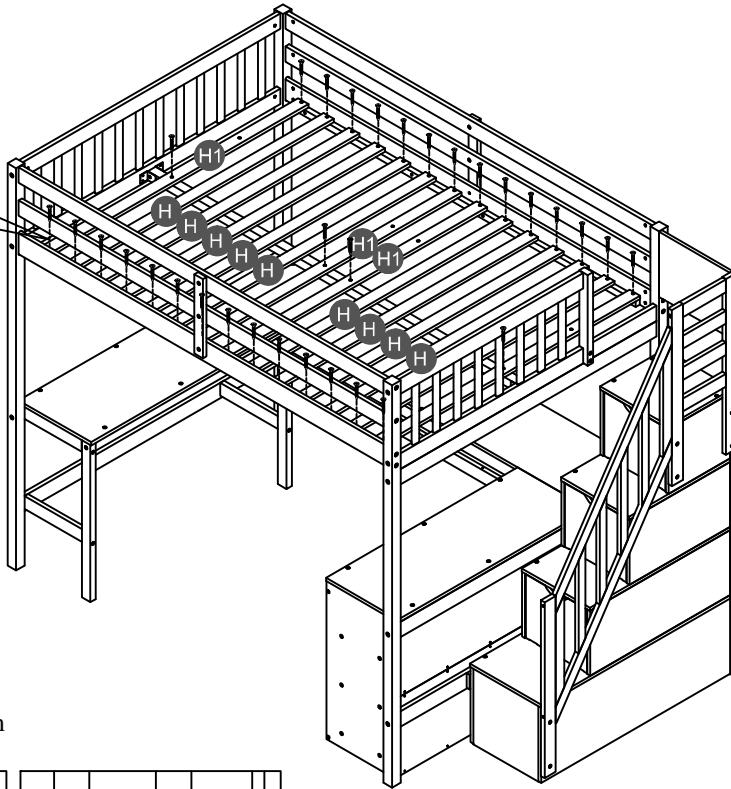
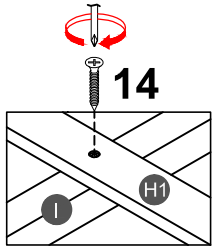
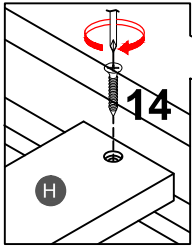
6		20	
2PCS		2PCS	

STEP 41:

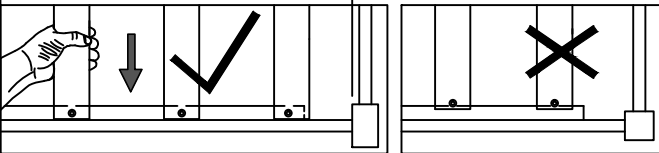
14



32PCS



3.1" 79mm 3.3" 84.5mm 2.4" 61mm



Note: Do not lock the screws of the bed slats to the outermost edge of the bed slats, you need to leave a certain space at the edges, otherwise it will cause the board to break. Do not lock the bed slats on the edge of the wood, please hold firmly before screwing , hold it in place with one hand, then lock the screw.

