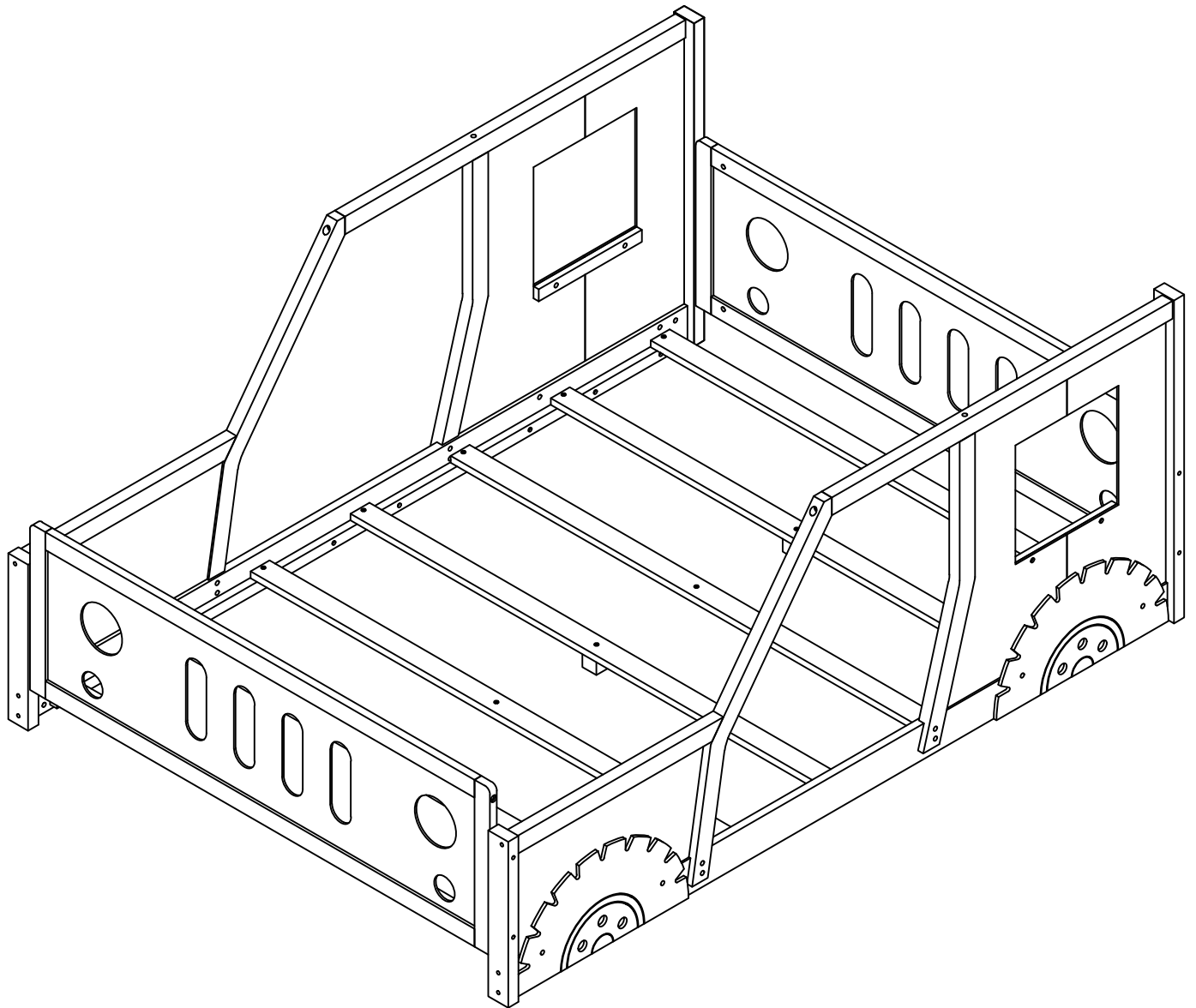


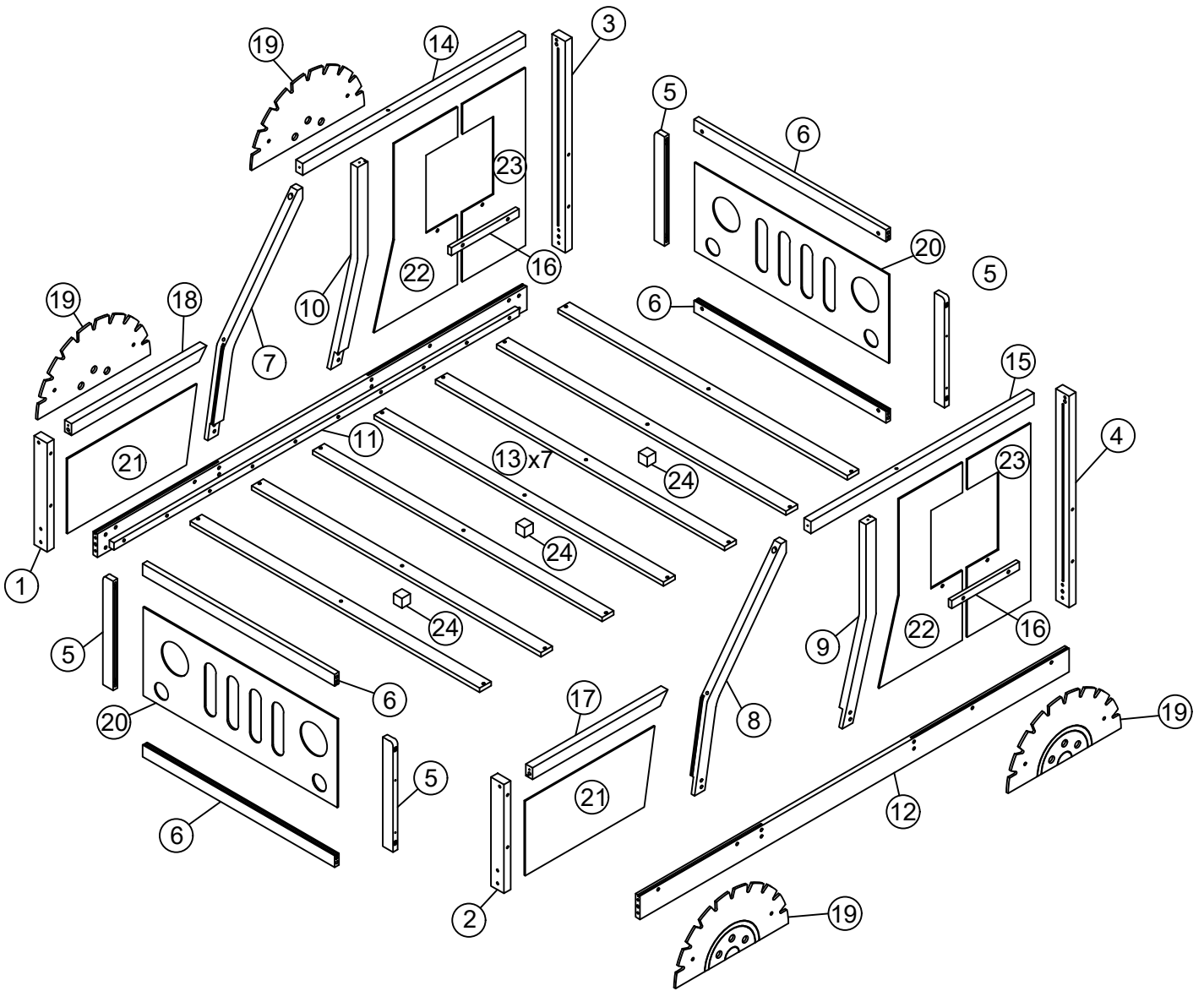
ASSEMBLY INSTRUCTIONS

FULL SIZE BED



WF306743

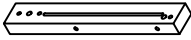
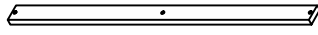
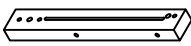
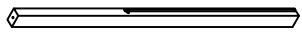

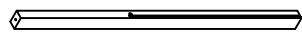

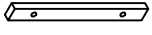







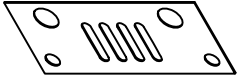

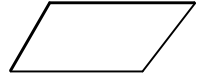


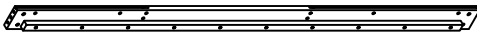
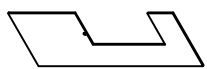
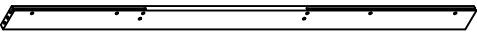

ASSEMBLY INSTRUCTIONS



ASSEMBLY INSTRUCTIONS












PARTS LIST

WF306743 (Hardware in this SKU)

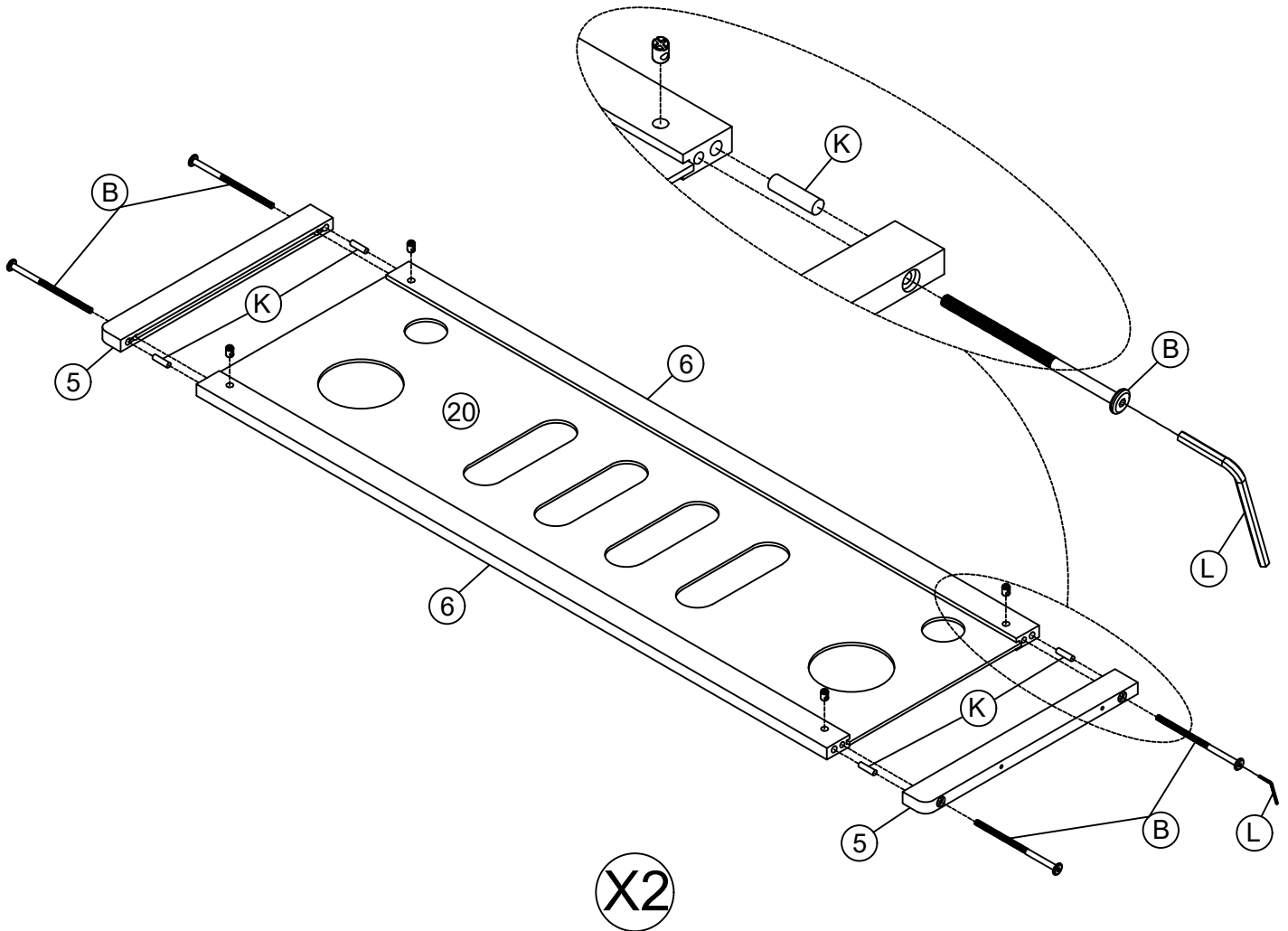
| | | | | | |
|-----------|--|------|-----------|---|------|
| 1 |  Left rear foot of bed | 1pc | 13 |  Slats | 7pcs |
| 2 |  Left front foot of bed | 1pc | 14 |  Frames side rail | 1pc |
| 3 |  Right rear foot of bed | 1pc | 15 |  Frames side rail | 1pc |
| 4 |  Right front foot of bed | 1pc | 16 |  Wooden support bar | 2pcs |
| 5 |  Bed frame stand | 4pcs | 17 |  Frames side rail | 1pc |
| 6 |  Bed frame crossbar | 4pcs | 18 |  Frames side rail | 1pc |
| 7 |  Frame left side rail | 1pc | 19 |  Wheel plank | 4pcs |
| 8 |  Frame right side rail | 1pc | 20 |  Bed headboard | 2pcs |
| 9 |  Frame right side rail | 1pc | 21 |  Panels side rail | 2pcs |
| 10 |  Frame left side rail | 1pc | 22 |  Panels side rail | 2pcs |
| 11 |  Left side rail | 1pc | 23 |  Panels side rail | 2pcs |
| 12 |  Right side rail | 1pc | 24 |  Bed flaps | 3pcs |



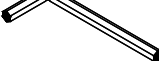
ASSEMBLY INSTRUCTIONS

HARDWARE LIST (WF306743)

| | | | | | | | |
|---|--------|---|-------|---|--------|---|-------|
| A | Ø4x30 |  | 17PCS | F | 1/4x30 |  | 8PCS |
| B | 1/4x90 |  | 8PCS | G | 1/4x20 |  | 8PCS |
| C | 1/4x75 |  | 8PCS | H | 1/4x15 |  | 4PCS |
| D | 6.5x60 |  | 4PCS | K | 10x40 |  | 16PCS |
| E | 6.5x80 |  | 6PCS | L | 4x58 |  | 1PC |
| J | 6.5x90 |  | 8PCS | | | | |

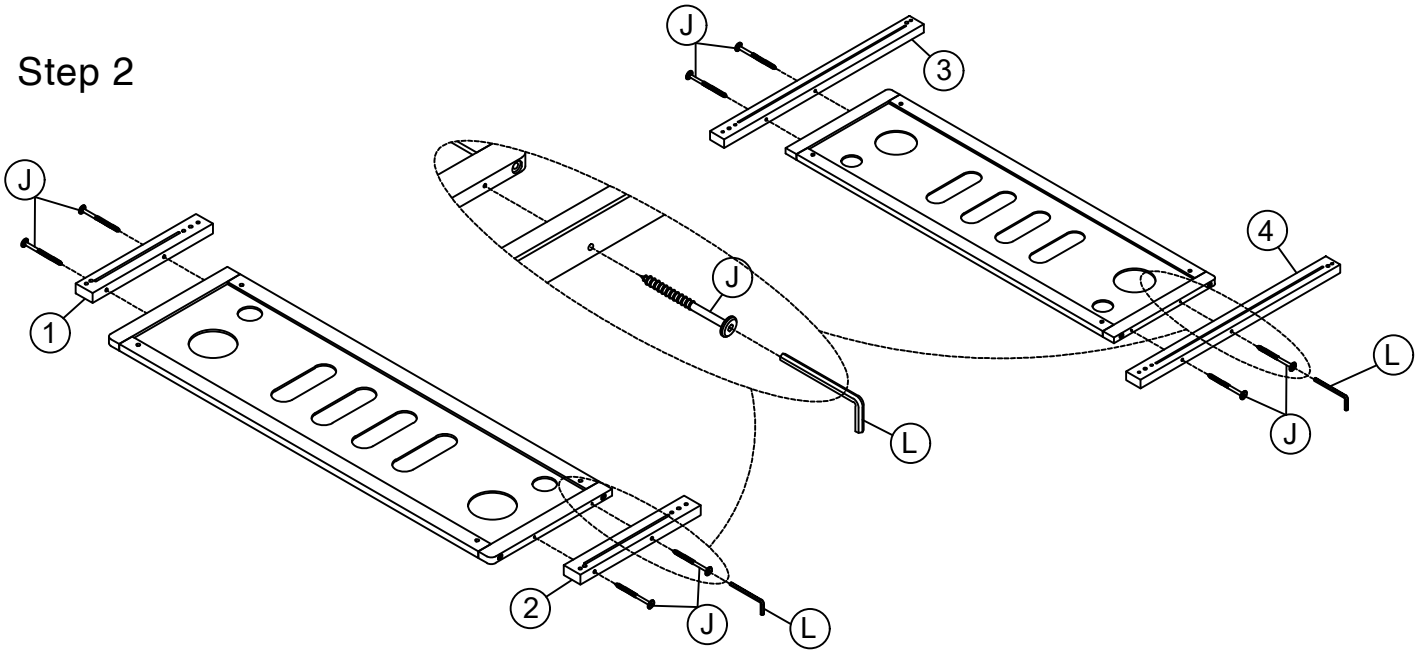
Step 1





| | | | | | | | | | | | |
|---|--------|---|------|---|--------|---|------|---|------|---|-----|
| B | 1/4x90 |  | 8PCS | K | Ø10x40 |  | 8PCS | L | 4x58 |  | 1PC |
|---|--------|---|------|---|--------|---|------|---|------|---|-----|

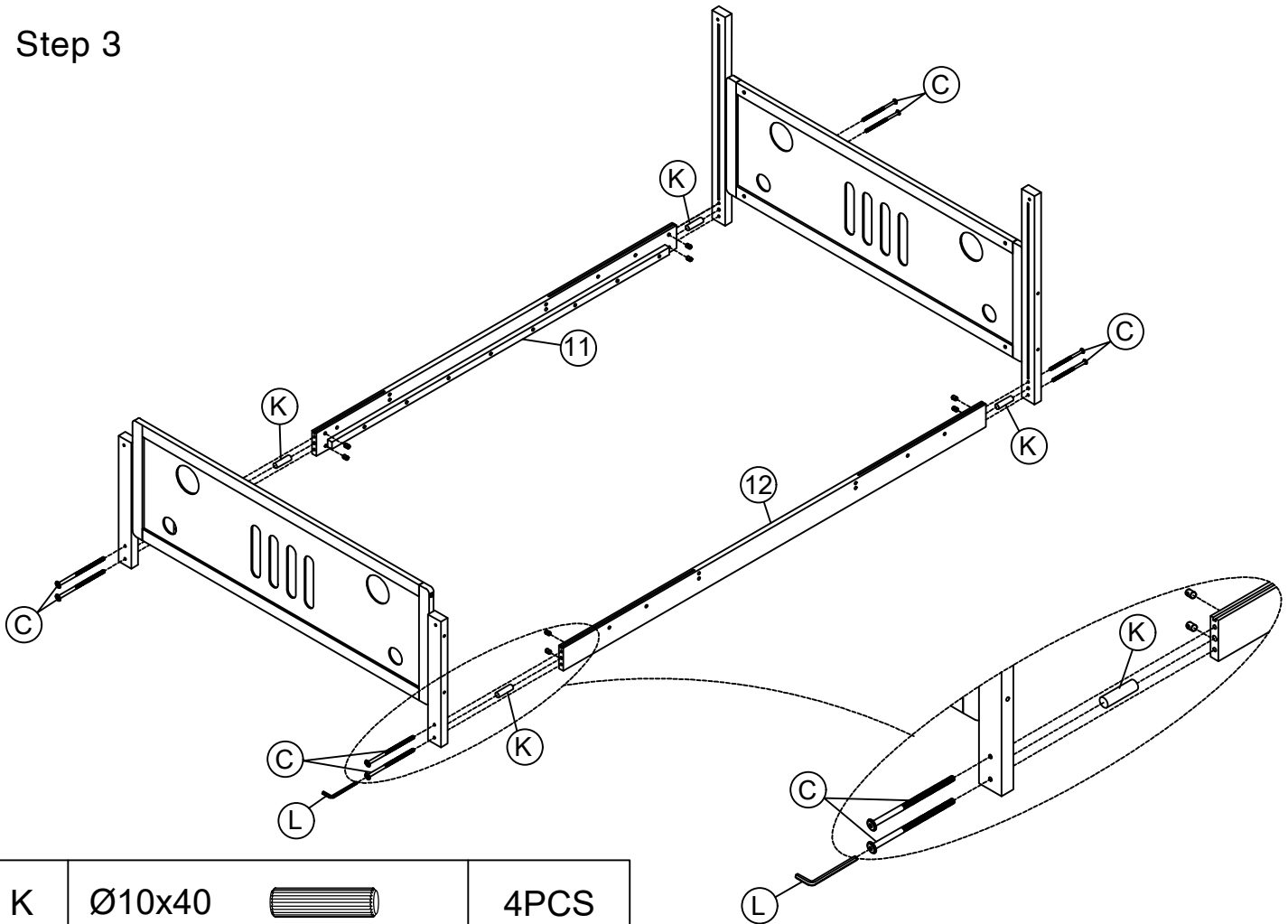
ASSEMBLY INSTRUCTIONS





Step 2



| | | | | | | | |
|---|--------|---|------|---|------|---|-----|
| J | 6.5x90 |  | 8PCS | L | 4x58 |  | 1PC |
|---|--------|---|------|---|------|---|-----|

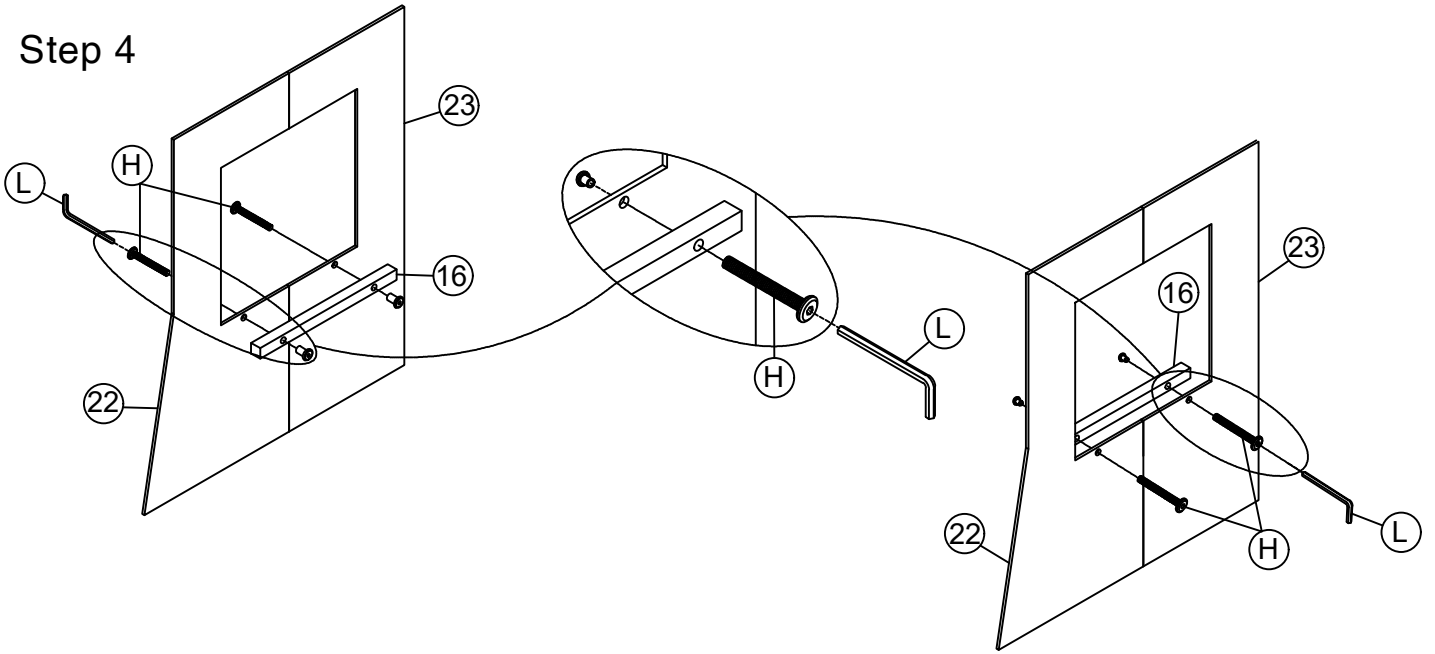
Step 3




| | | | | | | | |
|---|--------|---|------|---|------|---|-----|
| K | Ø10x40 |  | 4PCS | | | | |
| C | 1/4x75 |   | 8PCS | L | 4x58 |  | 1PC |

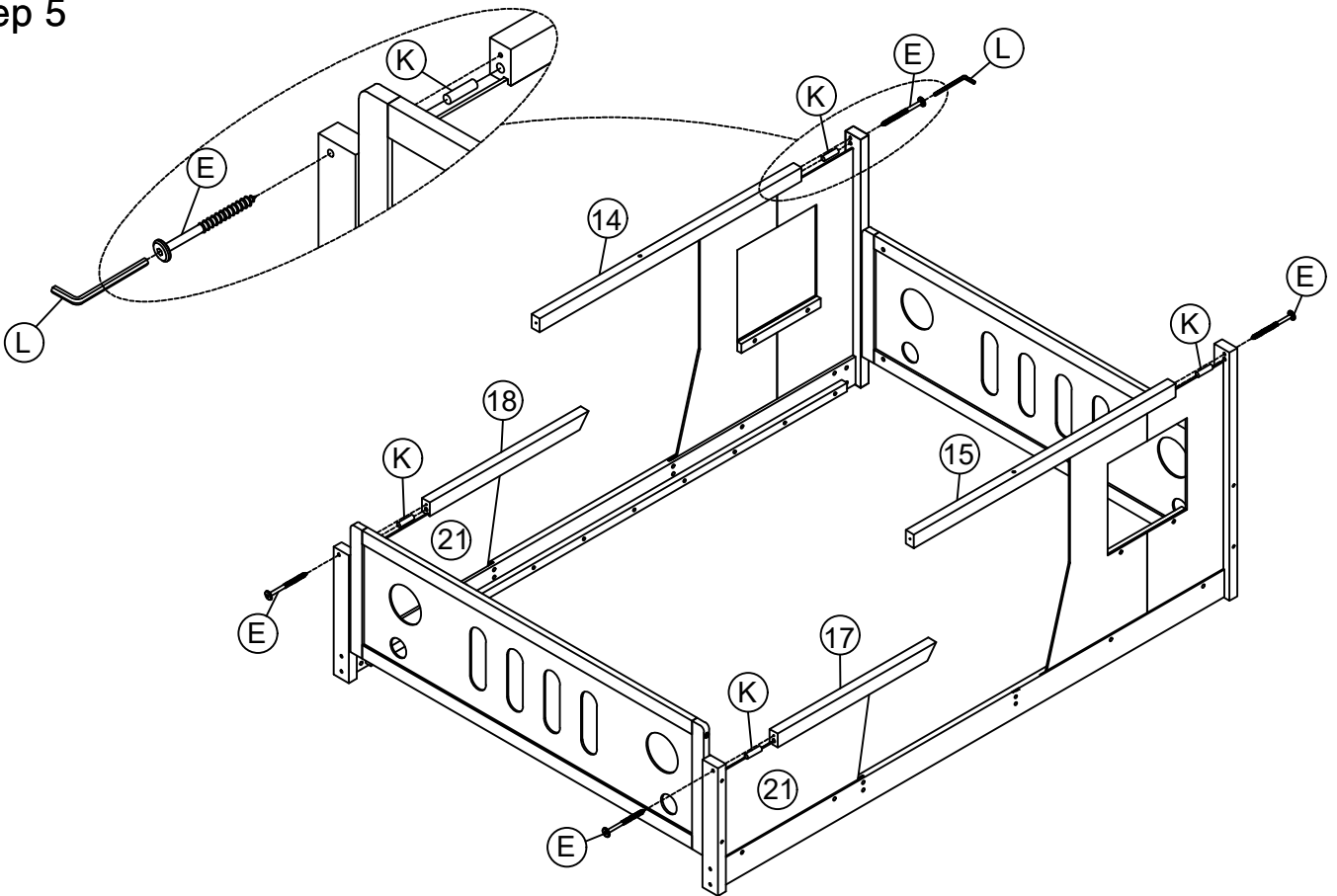
ASSEMBLY INSTRUCTIONS




Step 4



| | | | | | | | |
|---|--------|---|------|---|------|---|-----|
| H | 1/4x15 |  | 4PCS | L | 4x58 |  | 1PC |
|---|--------|---|------|---|------|---|-----|

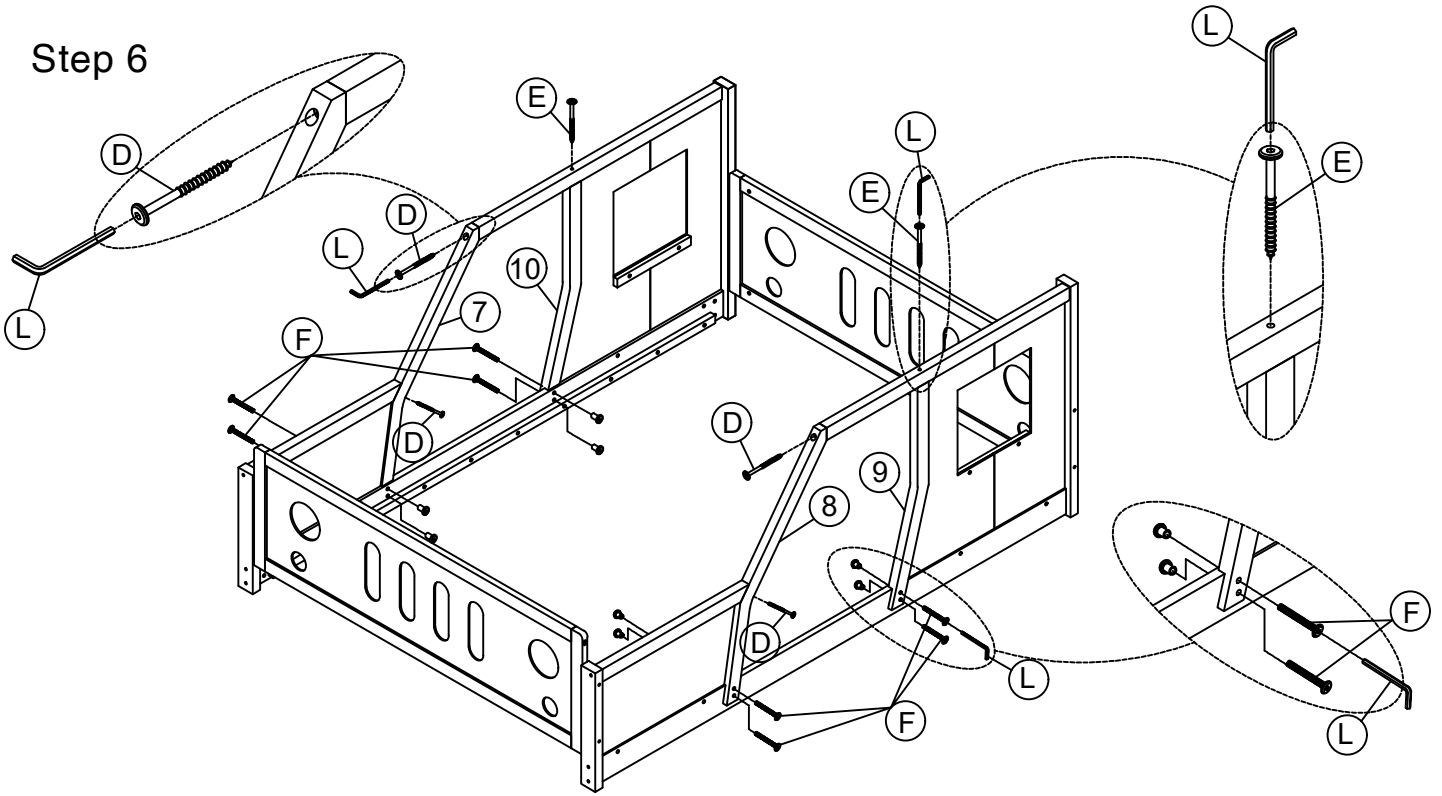
Step 5







| | | | | | | | | | | | |
|---|--------|---|------|---|--------|---|------|---|------|---|-----|
| K | Ø10x40 |  | 4PCS | E | 6.5x80 |  | 4PCS | L | 4x58 |  | 1PC |
|---|--------|---|------|---|--------|---|------|---|------|---|-----|

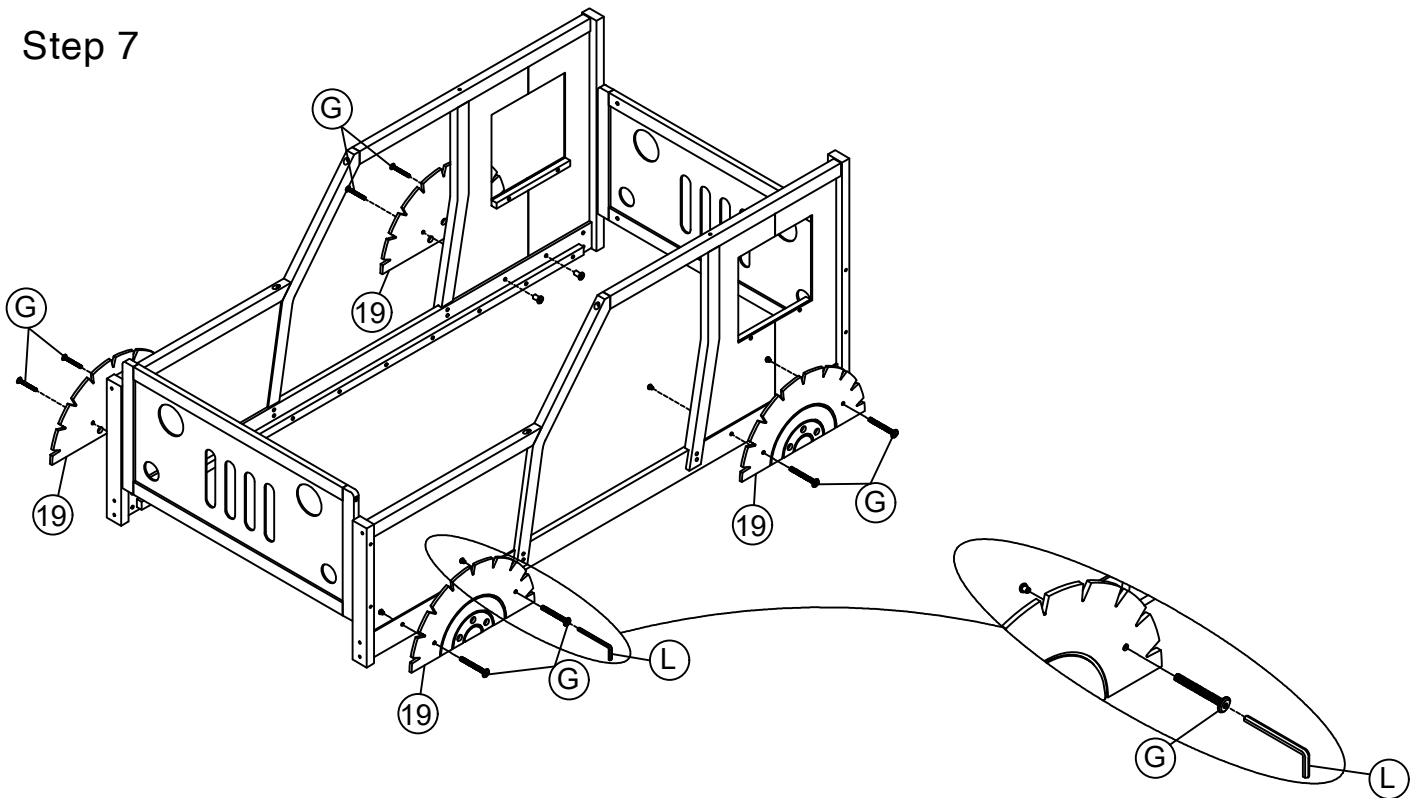
ASSEMBLY INSTRUCTIONS

Step 6



| | | | | | | | |
|---|--------|---|------|---|--------|---|------|
| D | 6.5x60 |  | 4PCS | F | 1/4x30 |  | 8PCS |
| E | 6.5x80 |  | 2PCS | L | 4x58 |  | 1PC |

Step 7

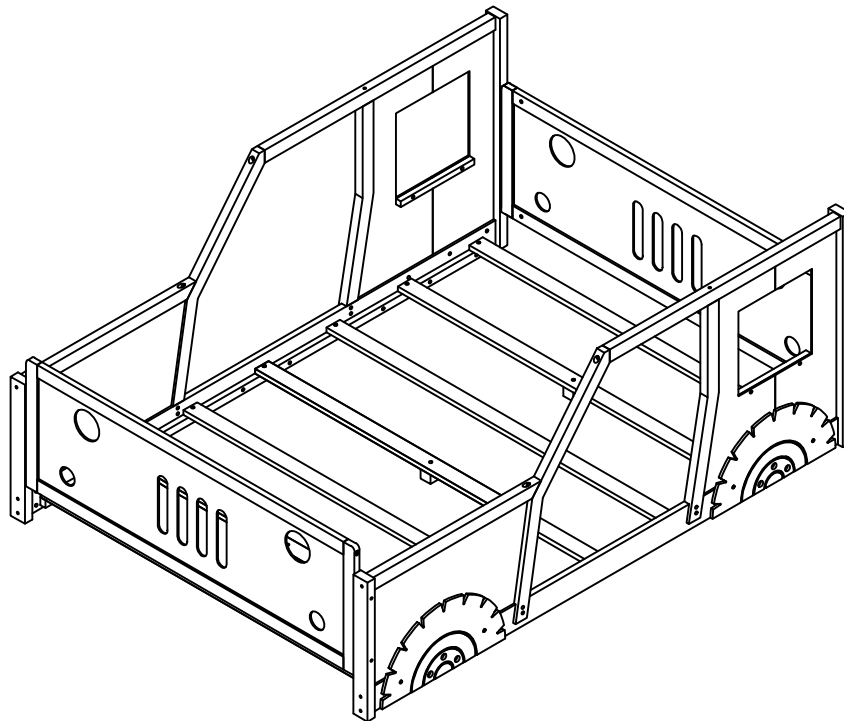
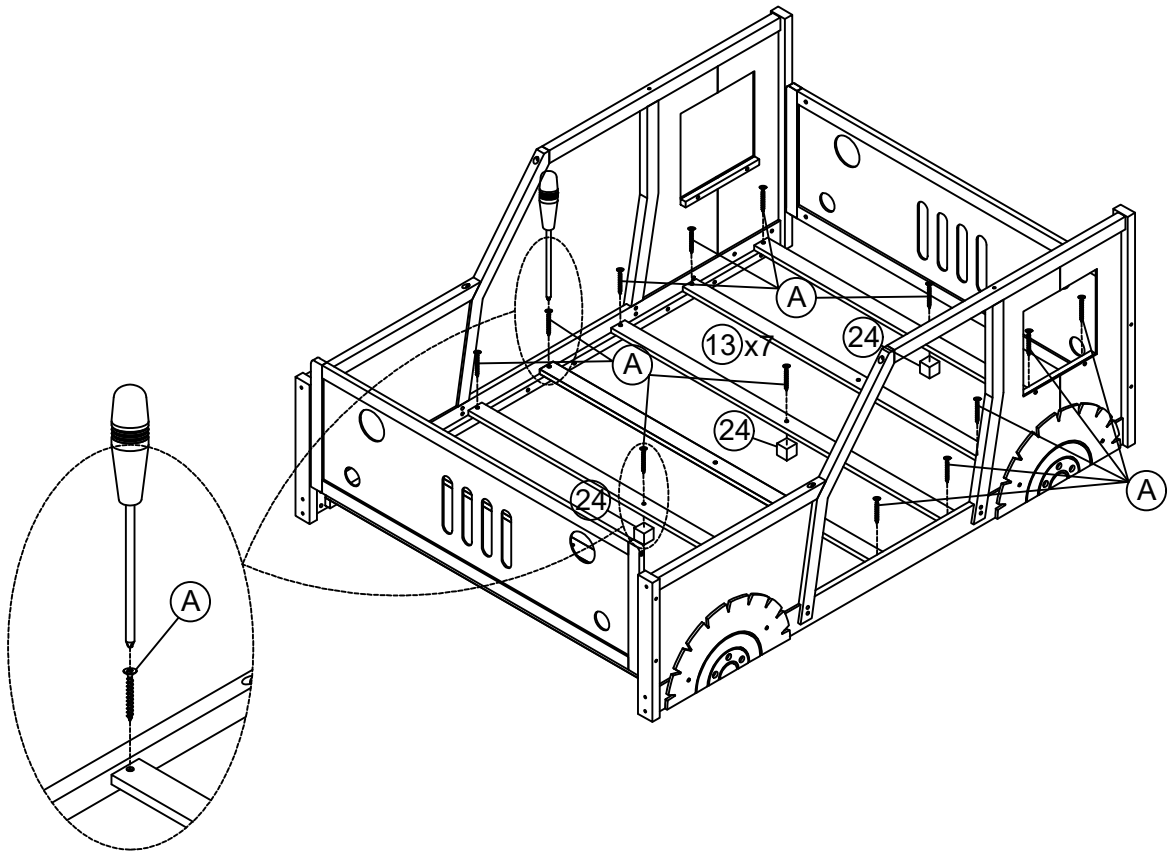


| | | | | | | | |
|---|--------|---|------|---|------|---|-----|
| G | 1/4x20 |  | 8PCS | L | 4x58 |  | 1PC |
|---|--------|---|------|---|------|---|-----|

ASSEMBLY INSTRUCTIONS

Step 8

First attach 2pcs part 13 to the front and end of the frame between headboard.
Then attach the remaining part 13 equidistantly between headboard



A

Ø4x30



17PCS