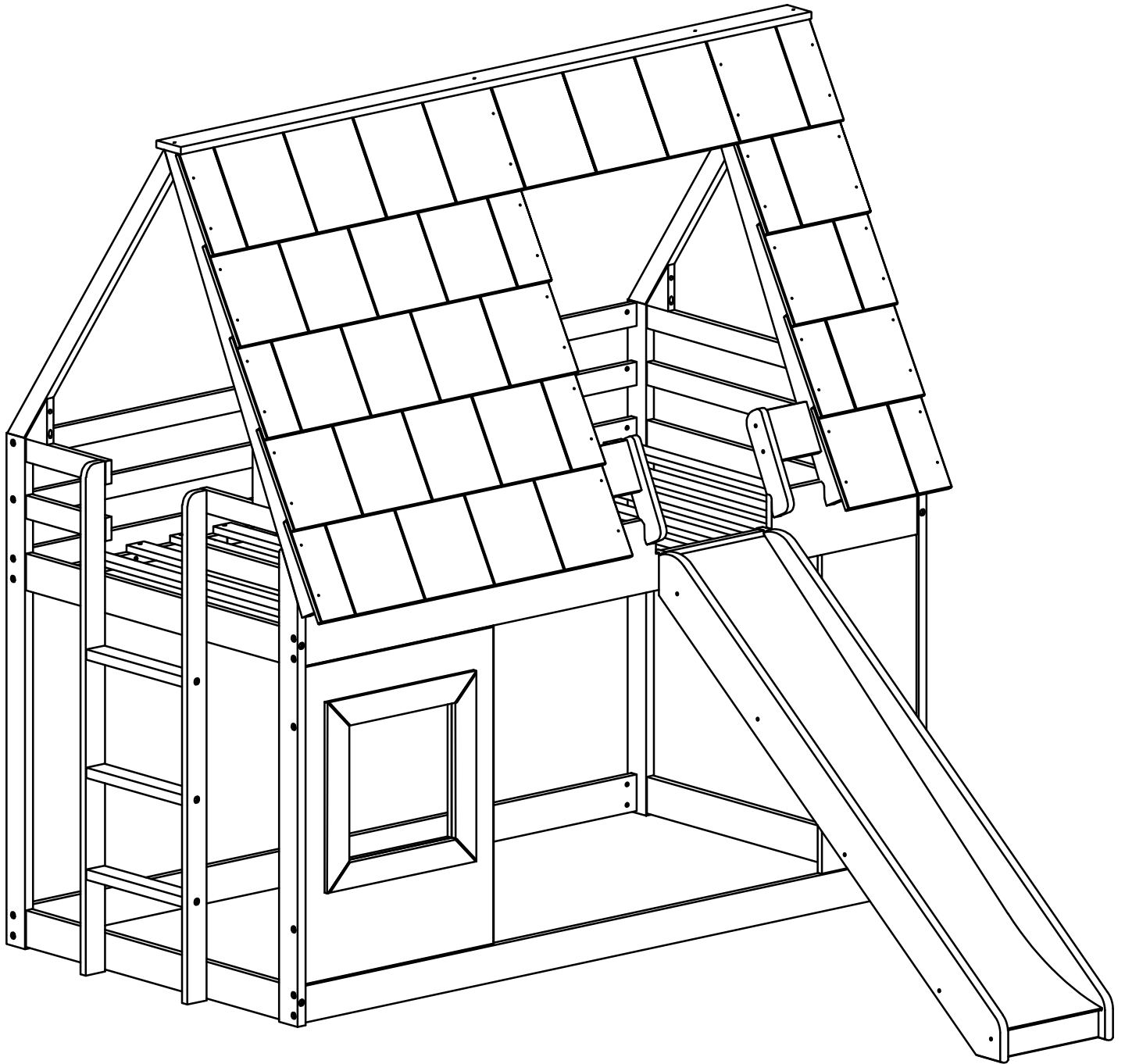


# ASSEMBLY INSTRUCTION

SKU CODE: (WF304955-WF304956)



# **! SAFETY WARNINGS !**

1. This bed is designed for use only mattress (es) meeting the following specifications on the upper bunk, and lower bunk

<b>Upper bed Bed Type</b>	<b>Length</b>	<b>Width</b>	<b>Thickness</b>
<i>Twin Standard</i>	<i>74" - 75"</i>	<i>38 1/2"</i>	<i>6" max</i>

2. Replacement parts, including additional guardrails, maybe obtained from any of our (GIGACLOUD TECHNOLOGY (USA) INC. 18961 ARENTH AVENUE CITY OF INDUSTRY, CA, 91748) dealers
3. Follow the information on the warnings appearing on the upper bunk bed end structure and on the carton. Do not remove warning label from bed
4. Always use the recommended size mattresses or mattress supports, or both, to help prevent the likelihood of entrapment or falls.
5. Surface of mattress must be at least 5" (127mm) below the upper edge of guardrails
6. Do not allow children under 6 years of age to use the upper bunk.
7. Periodically check and ensure that the guardrail, ladder, and other components are in their proper position, free from damage, and that all connectors are tight.
8. Do not allow horseplay on or under the bed and prohibit jumping on the bed.
9. Always use the ladder for entering and leaving the upper bunk.
10. Do not use substitute part. Contact the manufacture or dealer for replacement part
11. Use of a night light may provide added safety precaution for a child using the upper bunk..
12. Always use guardrails on both long sides of the upper bunk. If the bunk bed will be placed next to the wall, the guardrail that runs the full length of the bed should be placed against the wall to prevent entrapment between the bed and wall.
13. The use of water or sleep flotation mattresses is prohibited
14. STRANGULATION HAZARD - Never attach or hang items to any part of the bunk bed that are not designed for use with the bed; for example, but not limited to, hook, belts and jump ropes
15. Keep these instruction for future reference
16. Prohibit more than one person on upper bunk
17. We recommend assembling your bunk bed on the shipping carton to protect your floor or carpet
18. Be certain all staples are out of the box before beginning assembly on the shipping carton.

## **! SAFETY WARNINGS !**

1. At the beginning :

Tighten all hardware.

Check metal parts for rust. If found, sand and repaint using a non-lead-based paint meeting the requirements of 16 CFR 1303.

Check all wood members for deterioration and splinters. Sand down splinters and replace deteriorating wood members.

Rake and check depth of loose fill protective surfacing materials to prevent compaction and to maintain appropriate depth. Replace as necessary.

2. Twice a month

Tighten all hardware.

Rake and check depth of loose fill protective surfacing materials to prevent compaction and to maintain appropriate depth. Replace as necessary.

3. Owners shall be responsible for maintaining the legibility of the warning labels.

4. Disposal Instructions-There shall be instructions advising the owner to disassemble and dispose of the playground equipment in such a way that no unreasonable hazards will exist at the time the playground equipment is discarded.

5. The instructions shall also include the information found in Section 4 of the United States Consumer Product Safety Commission's (USCPSC) Outdoor Home Playground Safety Handbook or specific surfacing guidelines for the product consistent with the USCPSC Handbook. A copy of this section may be found in Appendix X2.

6. Observing the following statements and warnings reduces the likelihood of serious or fatal injury.

7. Specifying the number and weight of occupants that may safely use the equipment singly or simultaneously,

8. Recommending on-site adult supervision for children of all ages,

9. Warning the owner to instruct children not to use the equipment in a manner other than intended,

10. Warning the owner to instruct children not to get off equipment while it is in motion,

11. Warning the owner not to allow children to wear inappropriate items, such as but not limited to, loose fitting clothing, hood and neck drawstrings, scarves, cord-connected items, capes and ponchos. These items can cause death by strangulation.

12. Warning the owner to instruct children not to climb when the equipment is wet.

13. Warning the owner to instruct children not to attach items to the playground equipment that are not specifically designed for use with the equipment, such as, but not limited to, jump ropes, clothesline, pet leashes, cables and chain as they may cause a strangulation hazard

14. Warning the owner to instruct children to remove their bike or other sports helmet before playing on the playground equipment.

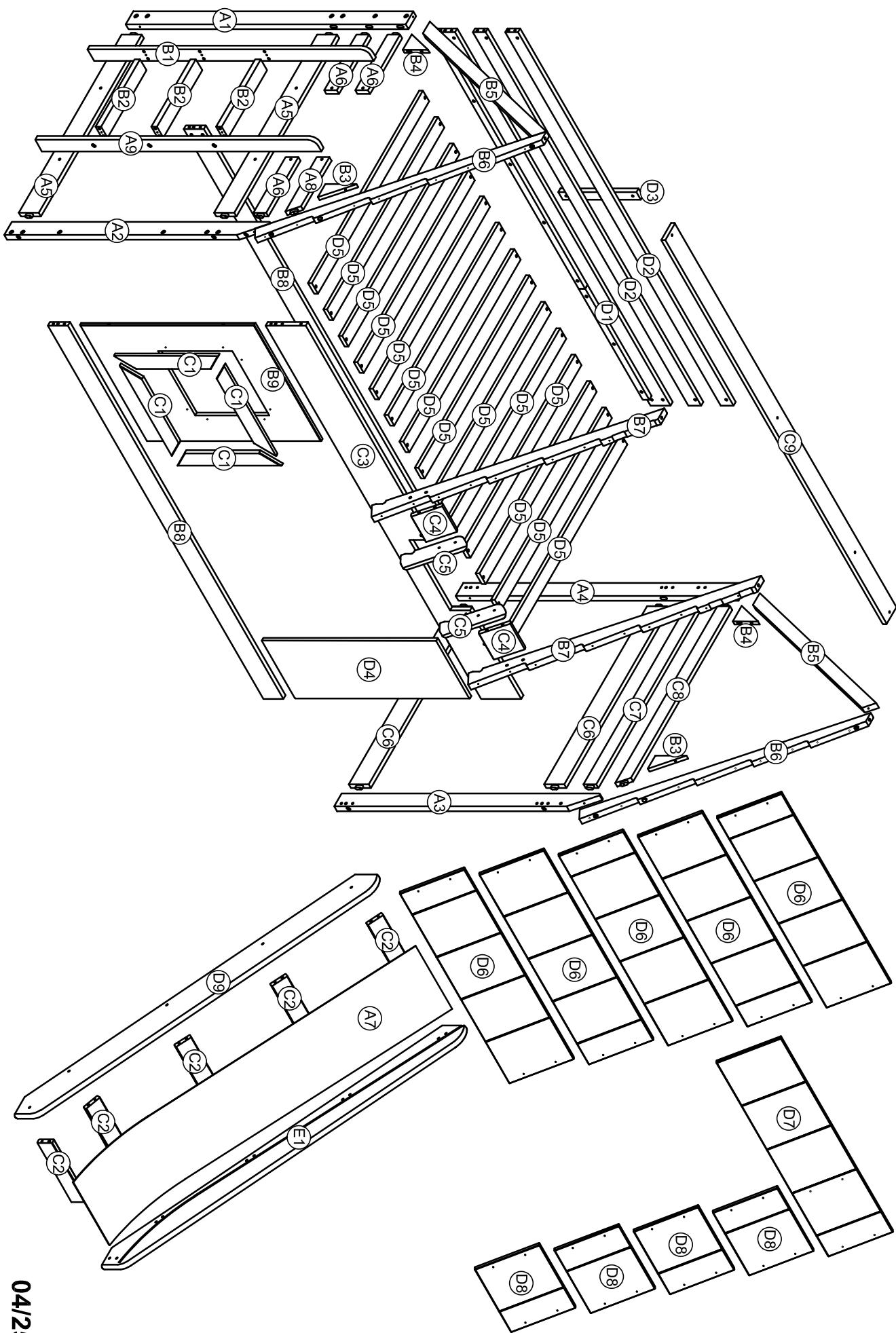
15. Warning the owner to dress children with well-fitting and full foot enclosing footwear. Examples of inappropriate footwear are clogs, flip flops, and sandals.

16. Place the equipment on level ground, not less than 6 ft (1.8 m) from any structure or obstruction such as a fence, garage, house, overhanging branches, laundry lines, or electrical wires

17. Do not install home playground equipment over concrete, asphalt, packed earth, grass, carpet, or any other hard surface. A fall onto a hard surface can result in serious injury or death to the equipment user

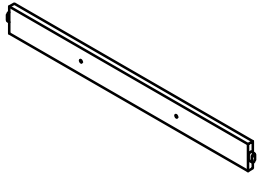
18. To prevent serious injury, cautionary statements shall be included which warn that children must not use the equipment until properly installed.

# ASSEMBLY INSTRUCTION



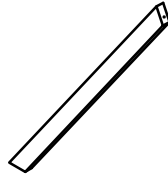
# Part List (Box 1-WF304955)

A5



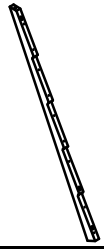
WoodBar-2pcs

B5



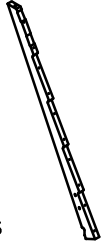
WoodBar-2pcs

B6



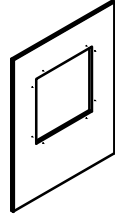
WoodBar-2pcs

B7



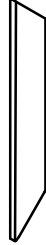
WoodBar-2pcs

B9



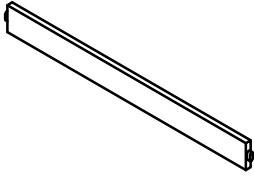
Panel-1pc

C1



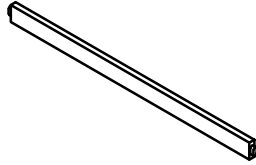
WoodBar-4pcs

C6



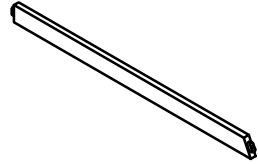
WoodBar-2pcs

C7



WoodBar-1pc

C8



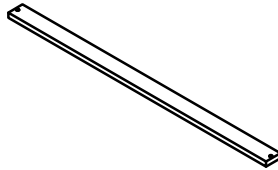
WoodBar-1pc

D4



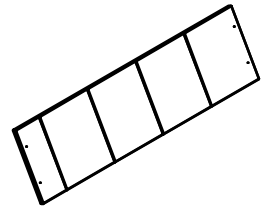
Panel-1pc

D5



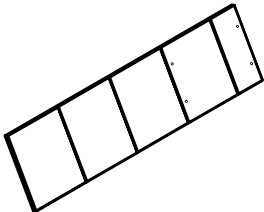
Slats-14pcs

D6



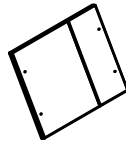
Panel-5pcs

D7







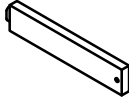
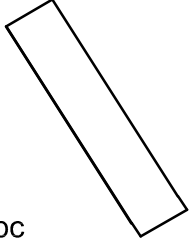
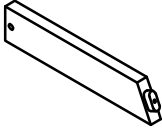




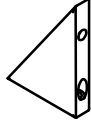
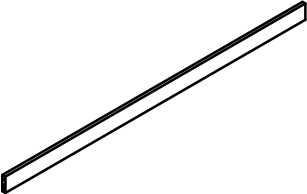
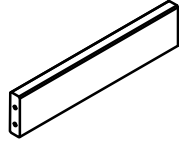
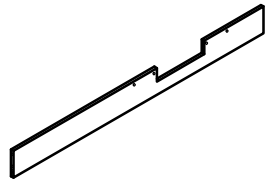
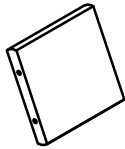
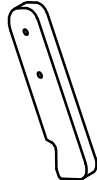
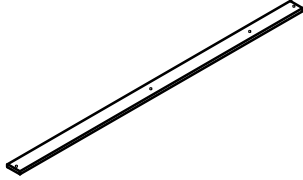
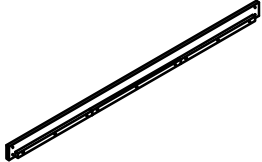
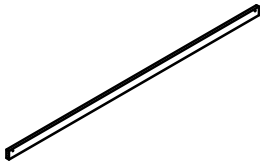

Panel-1pc

D8



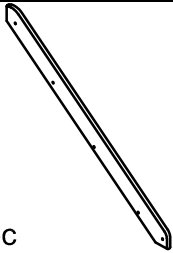
Panel-4pcs

# Part List & Hardware List (Box 2-WF304956)

<p>A1</p>  <p>Leg-1pc</p>	<p>A2</p>  <p>Leg-1pc</p>	<p>A3</p>  <p>Leg-1pc</p>
<p>A4</p>  <p>Leg-1pc</p>	<p>A6</p>  <p>WoodBar-3pcs</p>	<p>A7</p>  <p>Panel-1pc</p>
<p>A8</p>  <p>WoodBar-1pc</p>	<p>A9</p>  <p>WoodBar-1pc</p>	<p>B1</p>  <p>WoodBar-1pc</p>
<p>B2</p>  <p>WoodBar-3pcs</p>	<p>B3</p>  <p>Corner Plate-2pcs</p>	<p>B4</p>  <p>Corner Plate-2pcs</p>
<p>B8</p>  <p>WoodBar-2pcs</p>	<p>C2</p>  <p>WoodBar-5pcs</p>	<p>C3</p>  <p>Side Rail-1pc</p>
<p>C4</p>  <p>WoodBar-2pcs</p>	<p>C5</p>  <p>WoodBar-2pcs</p>	<p>C9</p>  <p>WoodBar-1pc</p>
<p>D1</p>  <p>Side Rail-1pc</p>	<p>D2</p>  <p>WoodBar-2pcs</p>	<p>D3</p>  <p>WoodBar-1pc</p>

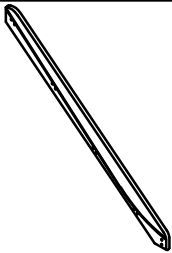
# Part List & Hardware List (Box 2-WF304956)

D9





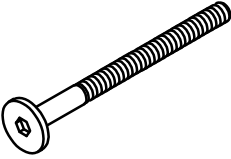




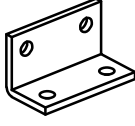





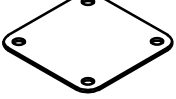

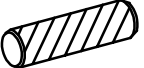

WoodBar-1pc

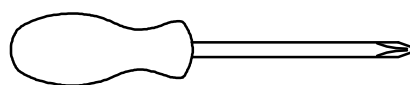
E1



WoodBar-1pc

# Hardware List (Box 2-WF304956)



<p>1</p>  <p>Screws 1/4" x80 9pcs</p>	<p>2</p>  <p>Screws 1/4" x70 4pcs</p>	<p>3</p>  <p>Ø1/4" x 80 mm Hex-Head bolts 20pcs</p>
<p>4</p>  <p>Ø1/4" x 13 mm Horizontal-Hole bolts 20pcs</p>	<p>5</p>  <p>Ø10 x 40 mm Wood dowel 26pcs</p>	<p>6</p>  <p>Screws 1/4" x50 44pcs</p>
<p>7</p>  <p>Screws 1/4" x30 3pcs</p>	<p>8</p>  <p>Metal Bracket 2pcs</p>	<p>9</p>  <p>M3.5 x 12 mm Wood Screws 16pcs</p>
<p>10</p>  <p>M4 x 30 mm Wood Screws 36pcs</p>	<p>11</p>  <p>M4 x 20 mm Wood Screws 54pcs</p>	<p>12</p>  <p>Allen Key 1pc</p>
<p>13</p>  <p>Bracket 2 pcs</p>	<p>14</p>  <p>Metal Bracket 4pcs</p>	<p>15</p>  <p>M3 x 10 mm Wood Screws 8pcs</p>
<p>16</p>  <p>Ø8 x 30 mm Wood dowel 10pcs</p>	<p>17</p>  <p>Screws 1/4" x60 4pcs</p>	

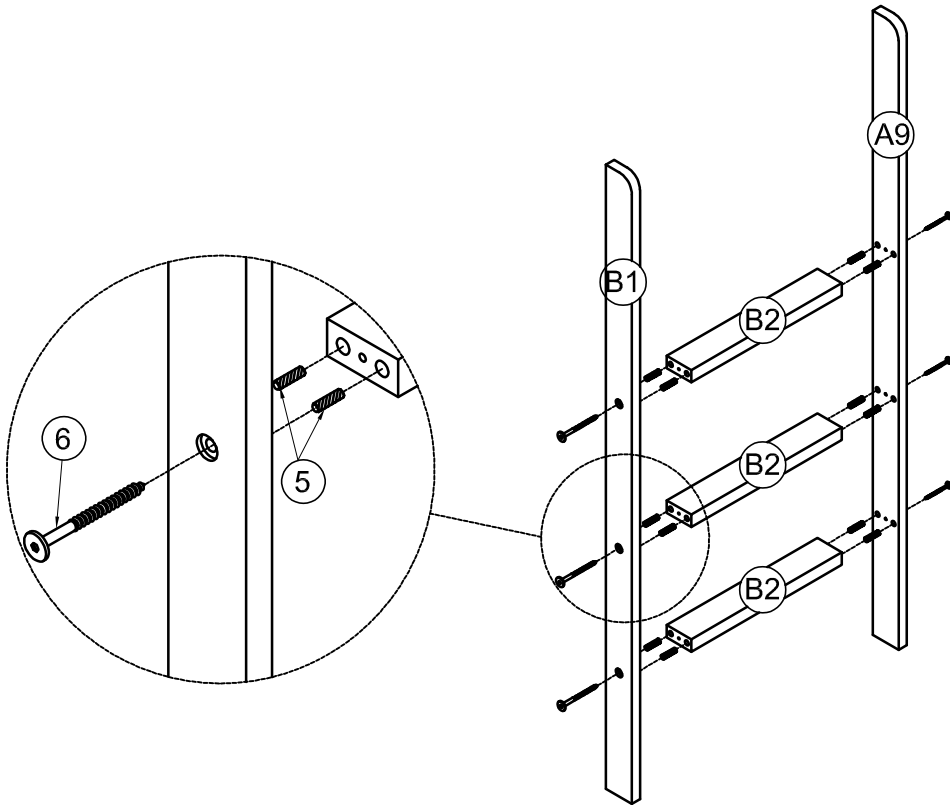


**Assembly Tools Required (Not Included)**




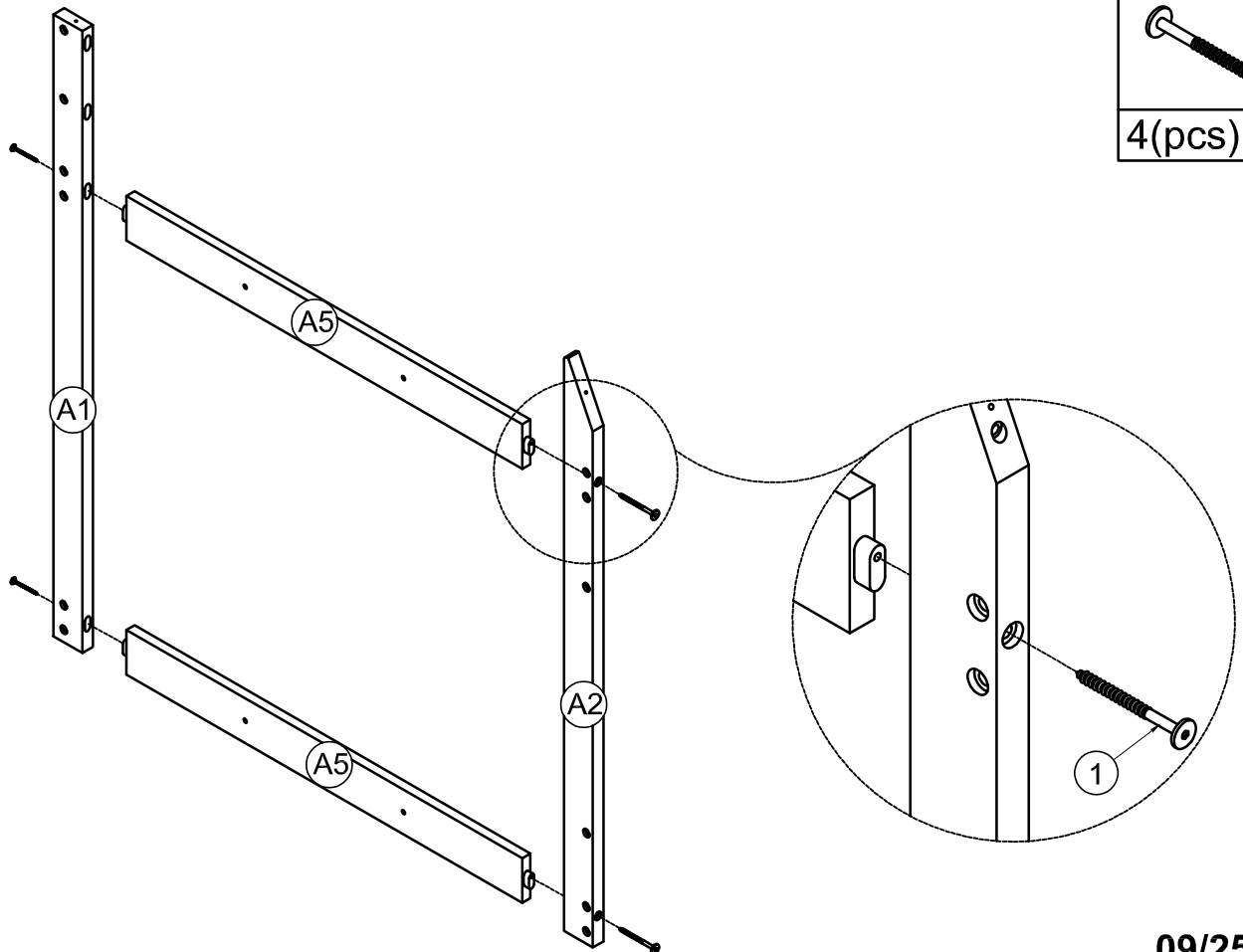
**STEP1:** Following below illustration.

5		6	
12(pcs)		6(pcs)	

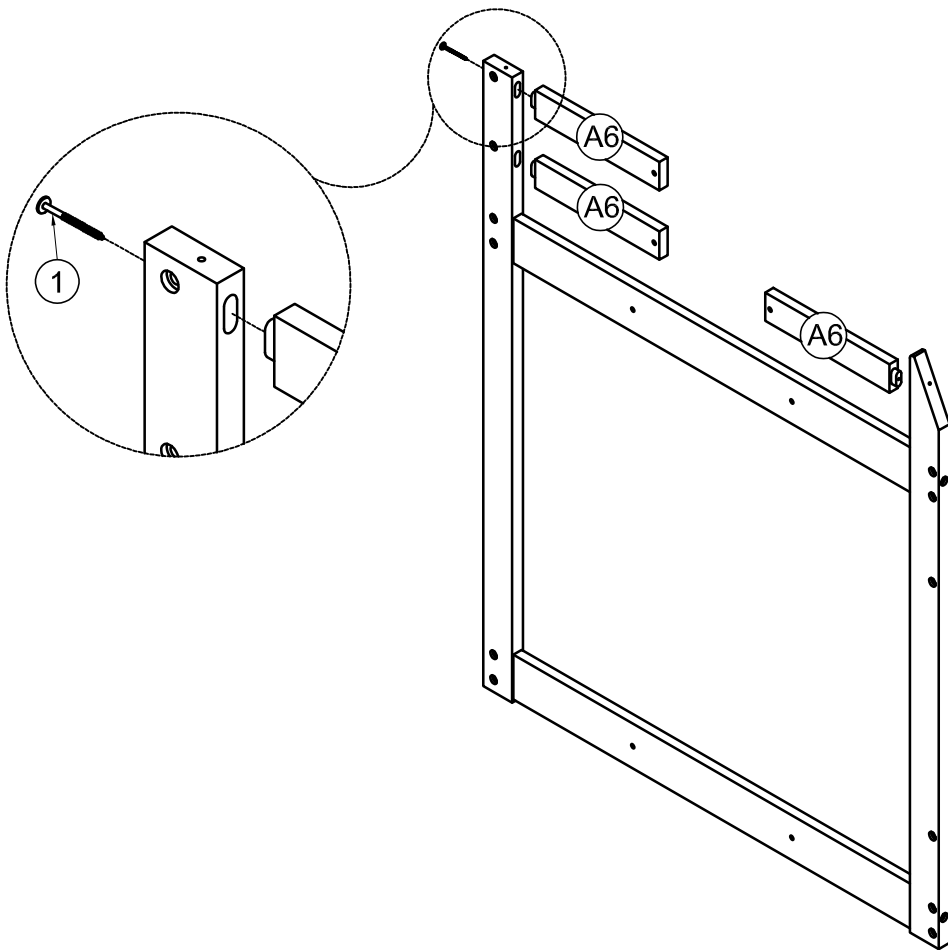


**STEP2:** Following below illustration.

1	
4(pcs)	



**STEP3:** Following below illustration.

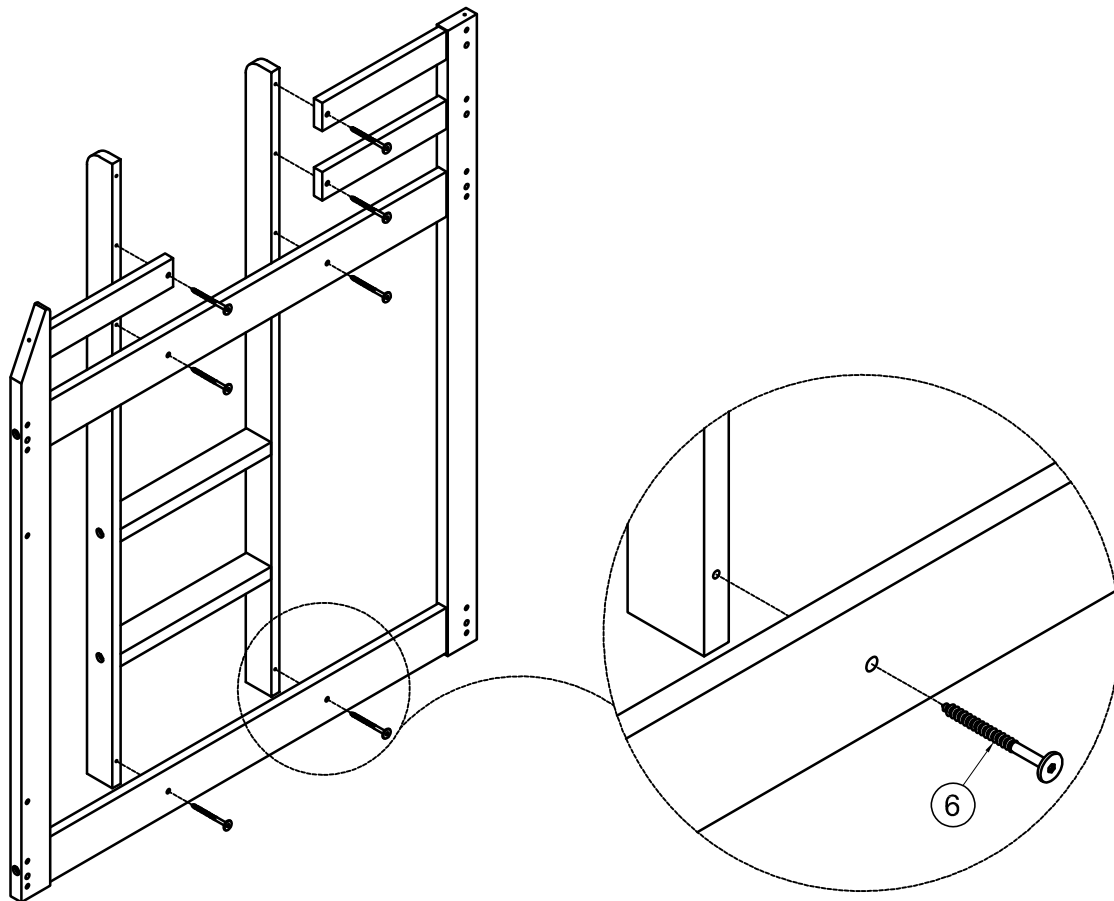


1



1(pcs)

**STEP4:** Following below illustration.

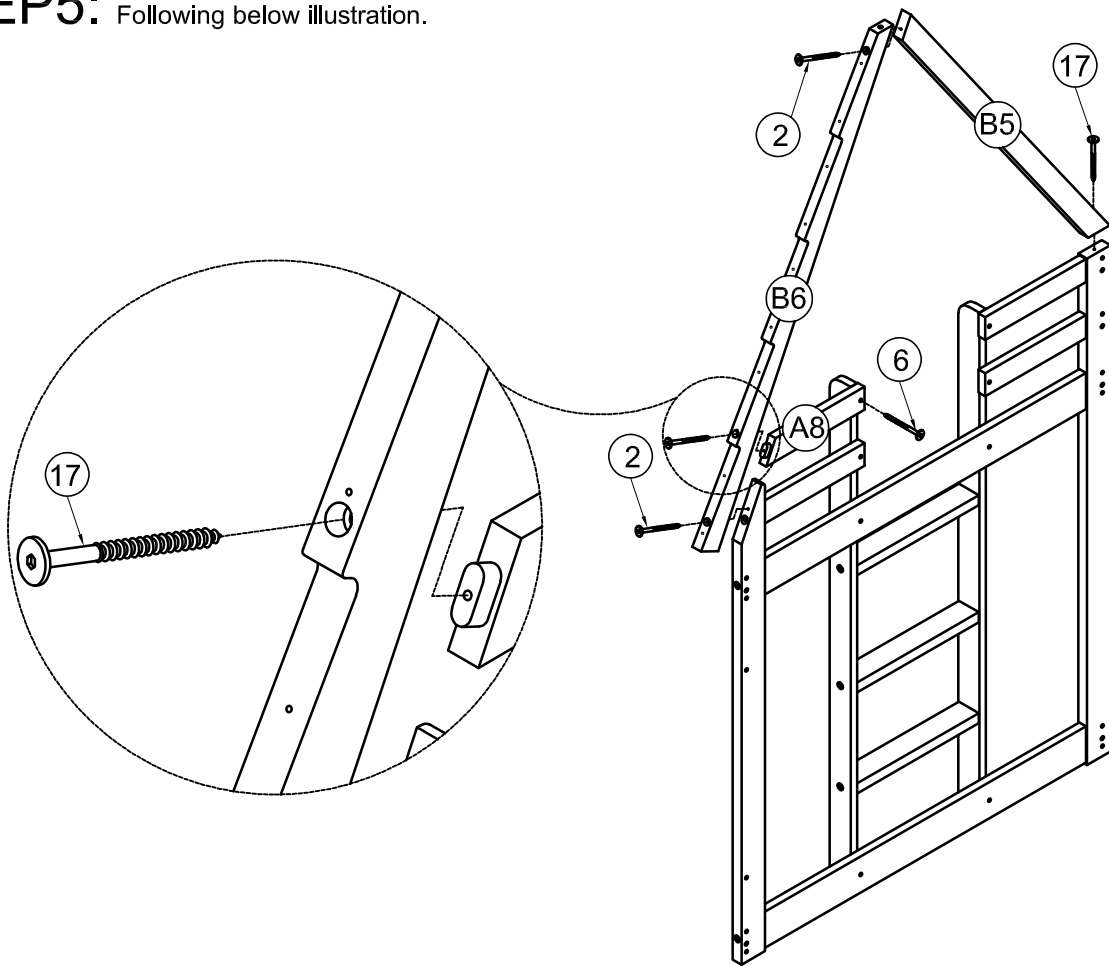





6



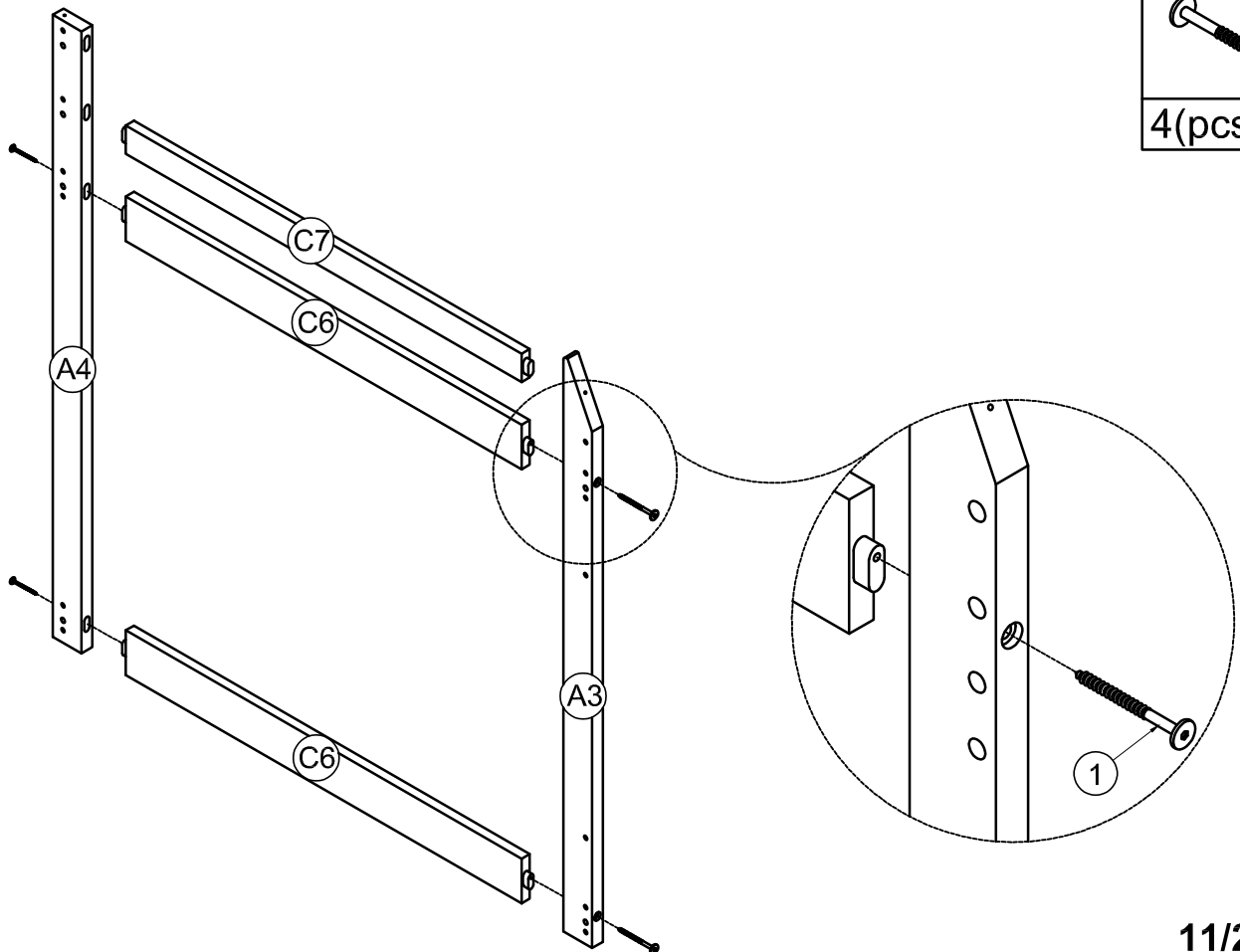
7(pcs)


**STEP5:** Following below illustration.



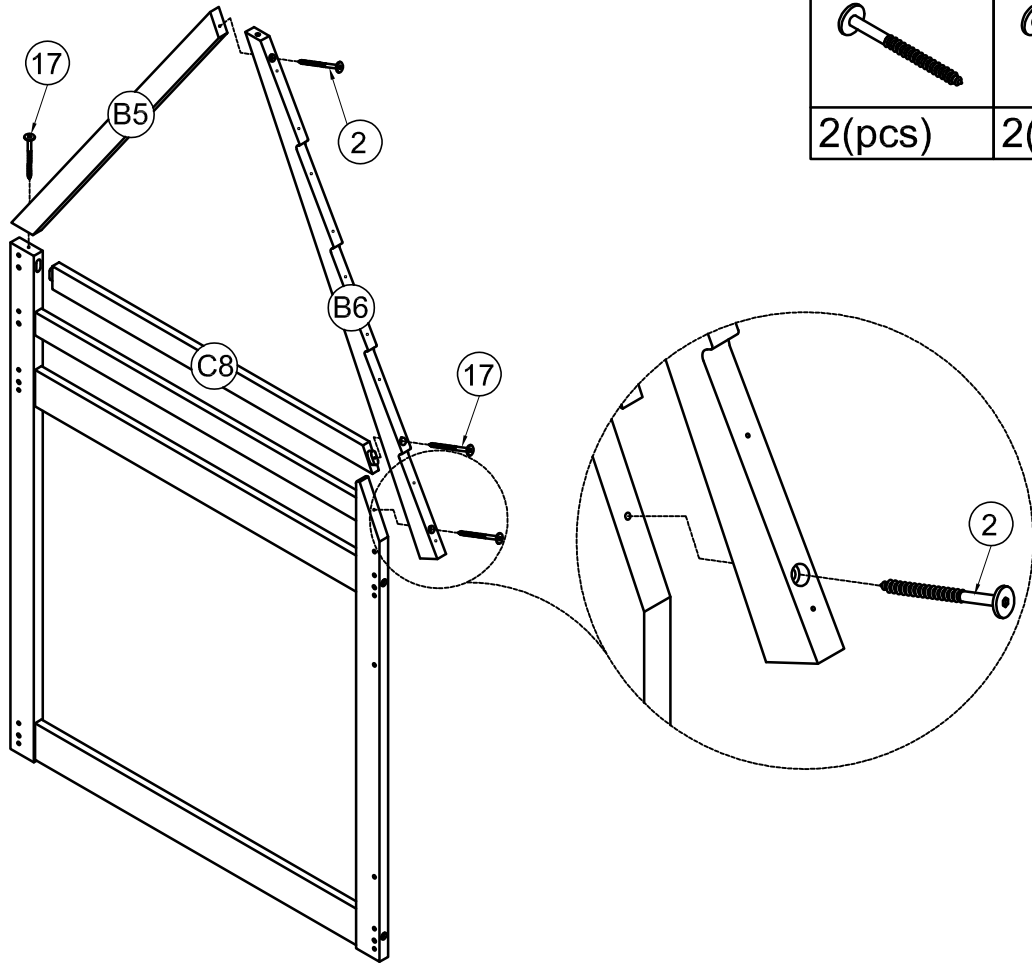
6

1(pc)
2

2(pcs)
17

2(pcs)

**STEP6:** Following below illustration.



1

4(pcs)

**STEP7:** Following below illustration.



17



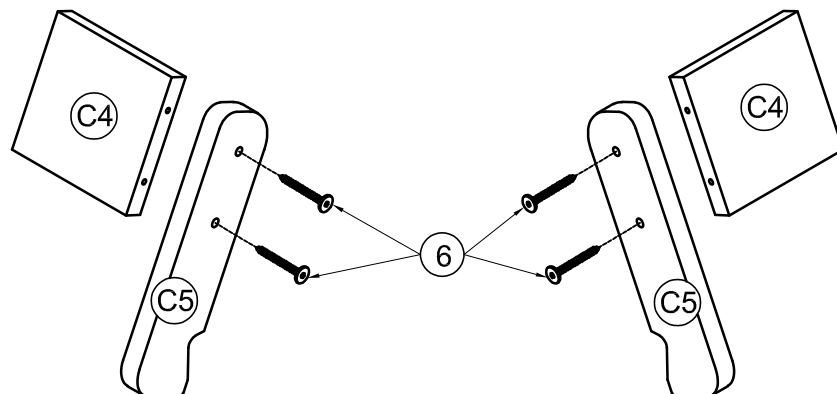
2(pcs)

2



2(pcs)

**STEP8:** Following below illustration.



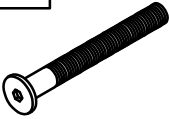


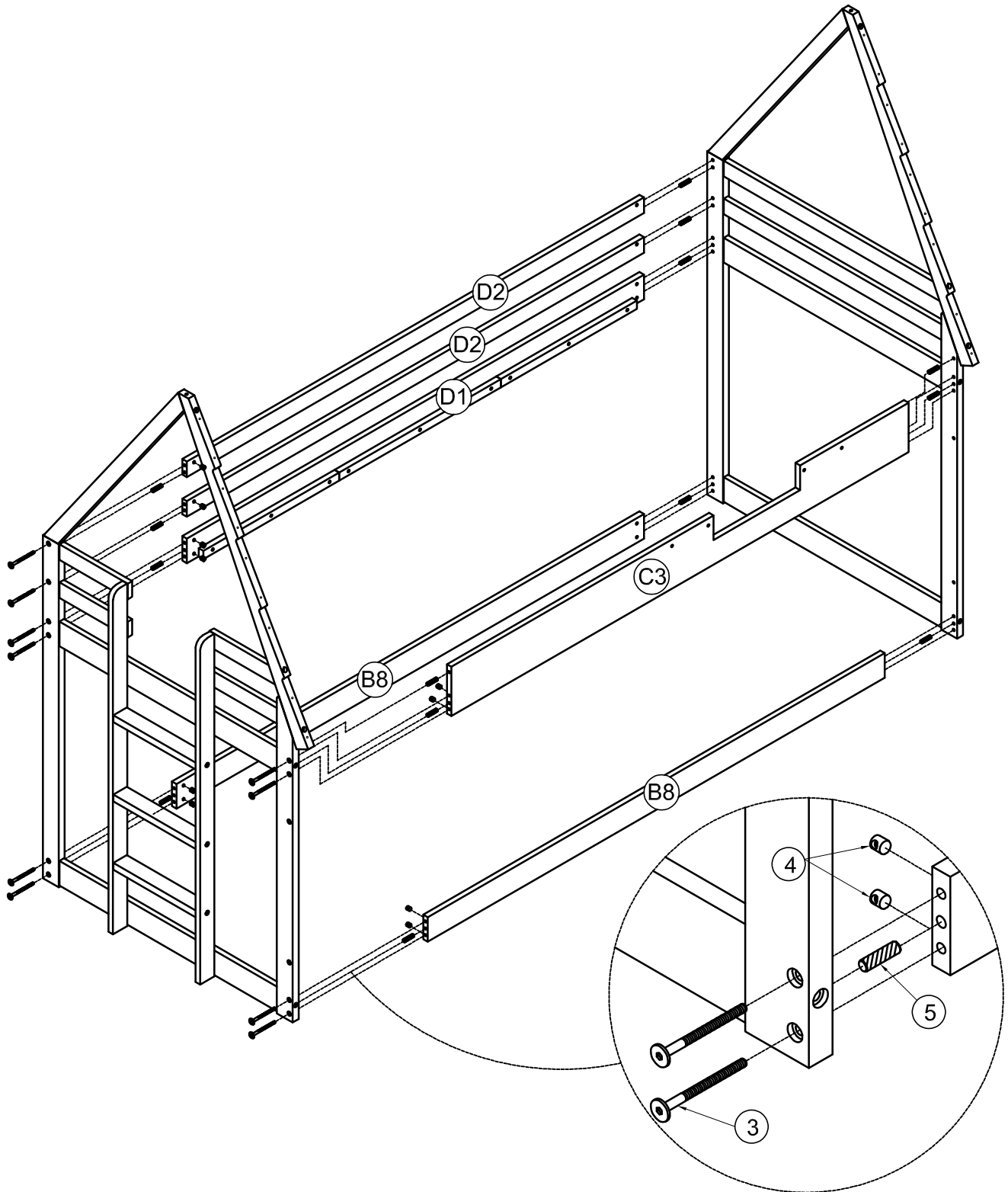
6



4(pcs)

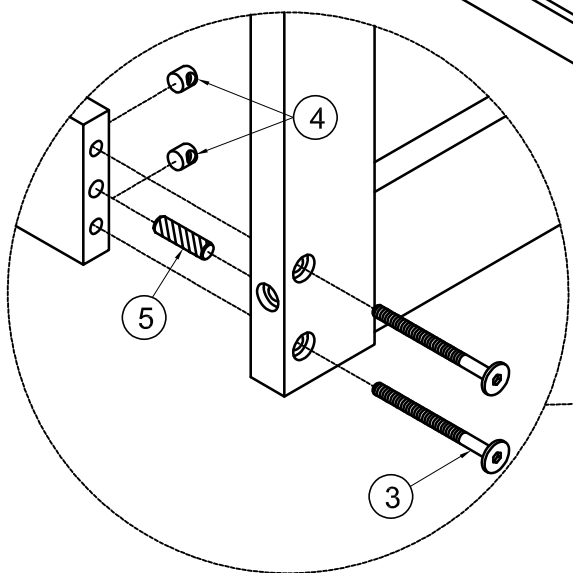
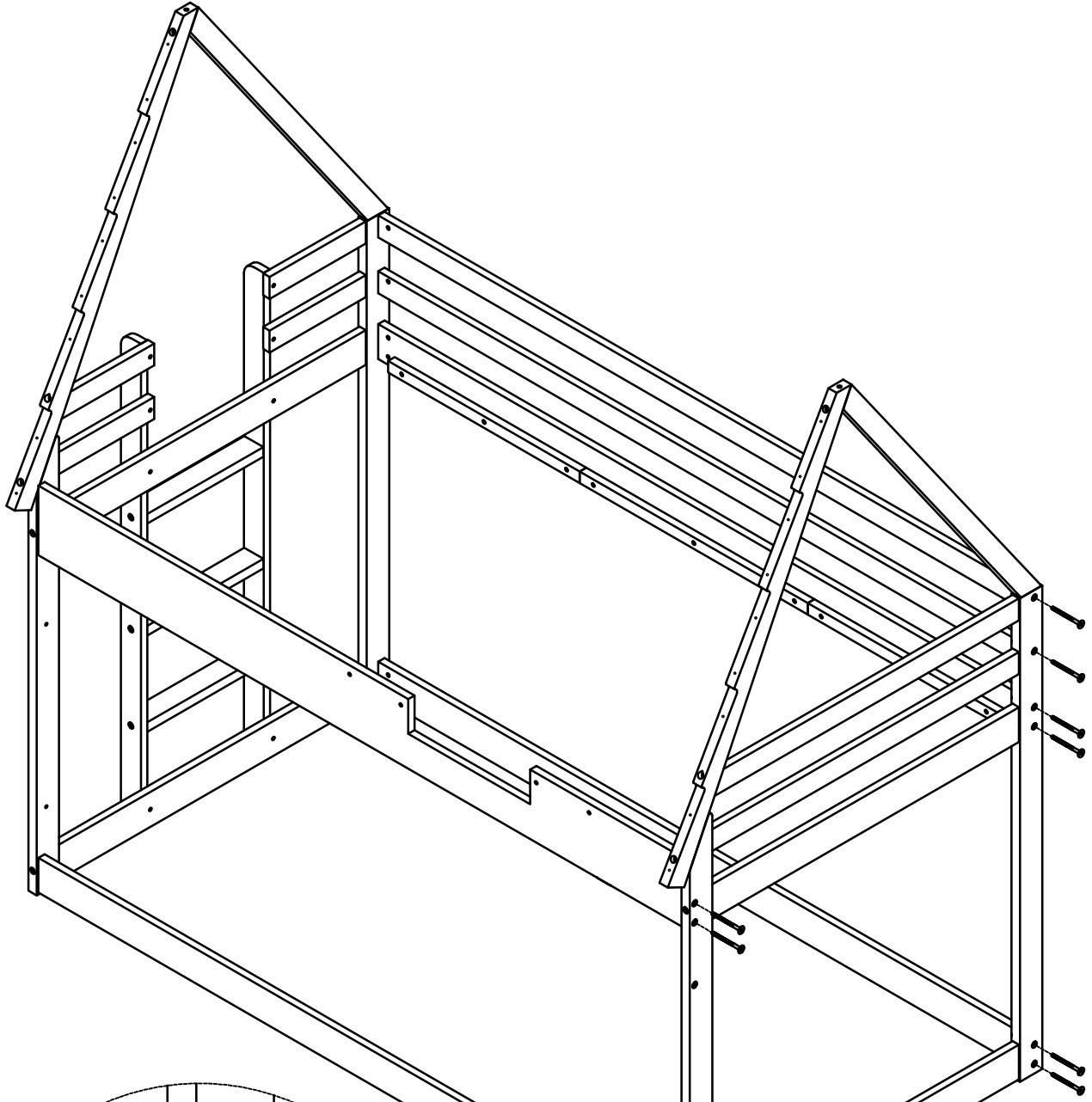
**STEP9:** Following below illustration.

5		4		3	
14(pcs)		10(pcs)		10(pcs)	

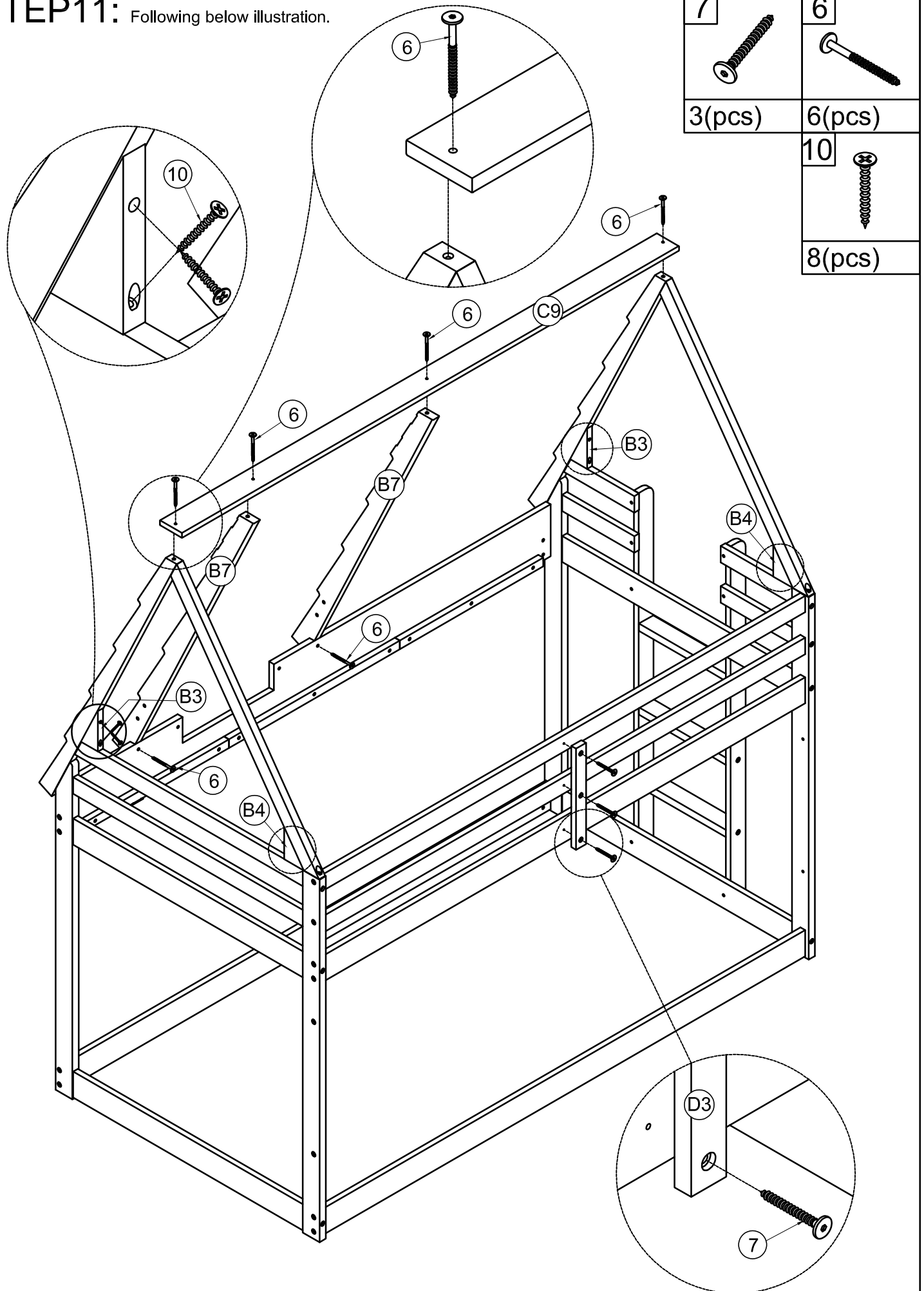


# STEP10: Following below illustration.

4	3
10(pcs)	10(pcs)

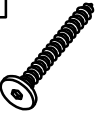


# STEP11: Following below illustration.

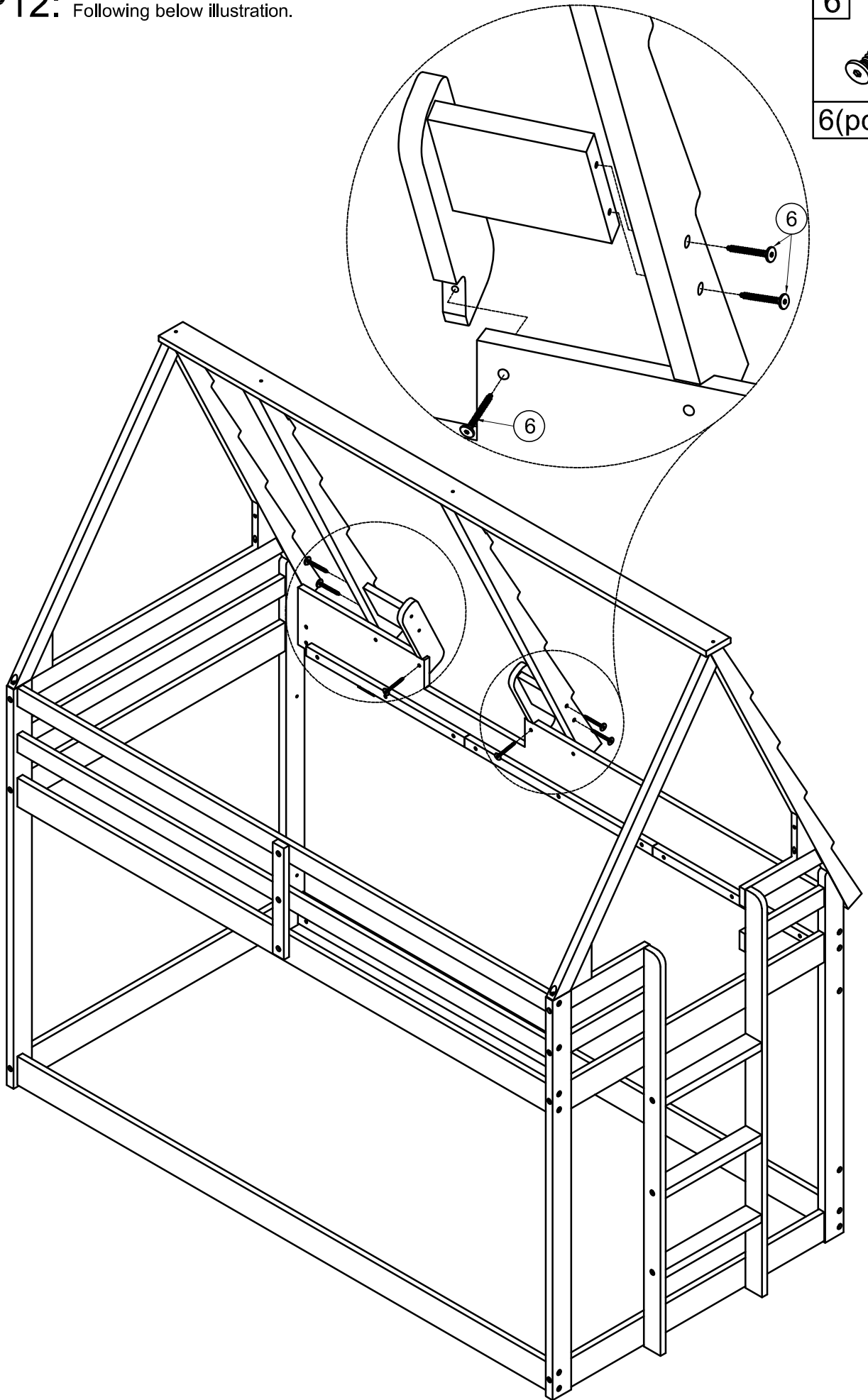


**STEP12:** Following below illustration.

6

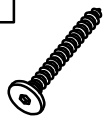


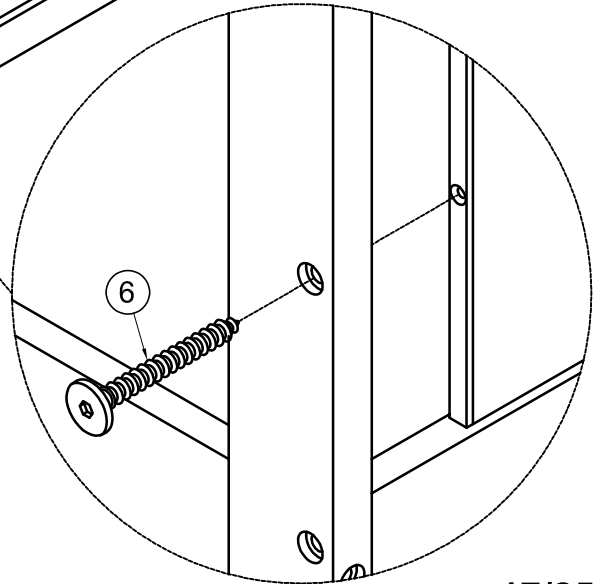
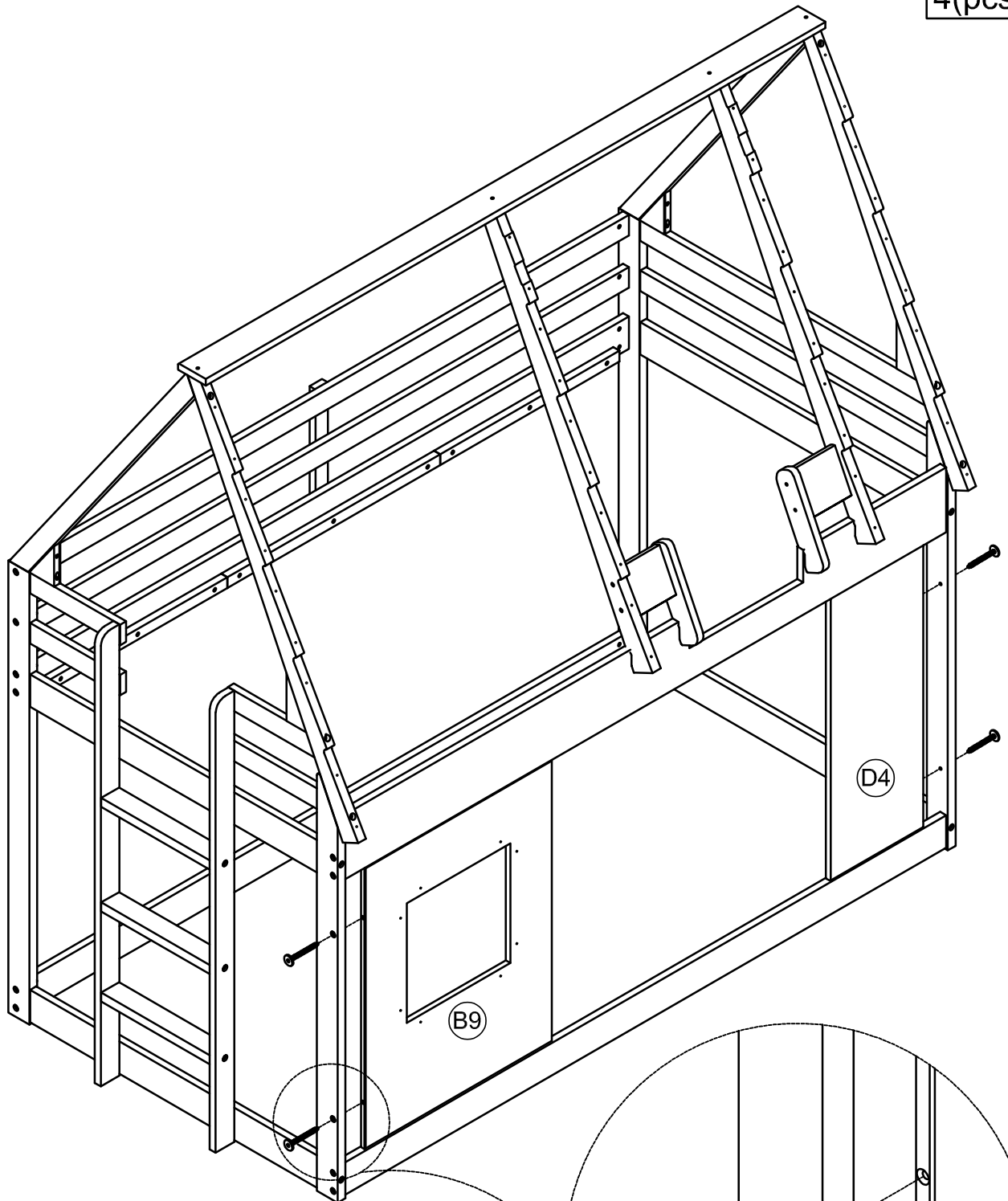
6(pcs)



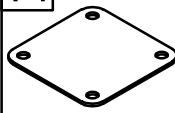

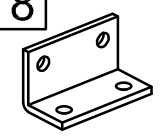


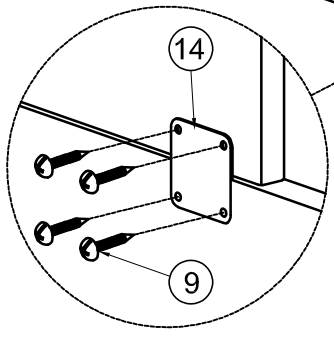
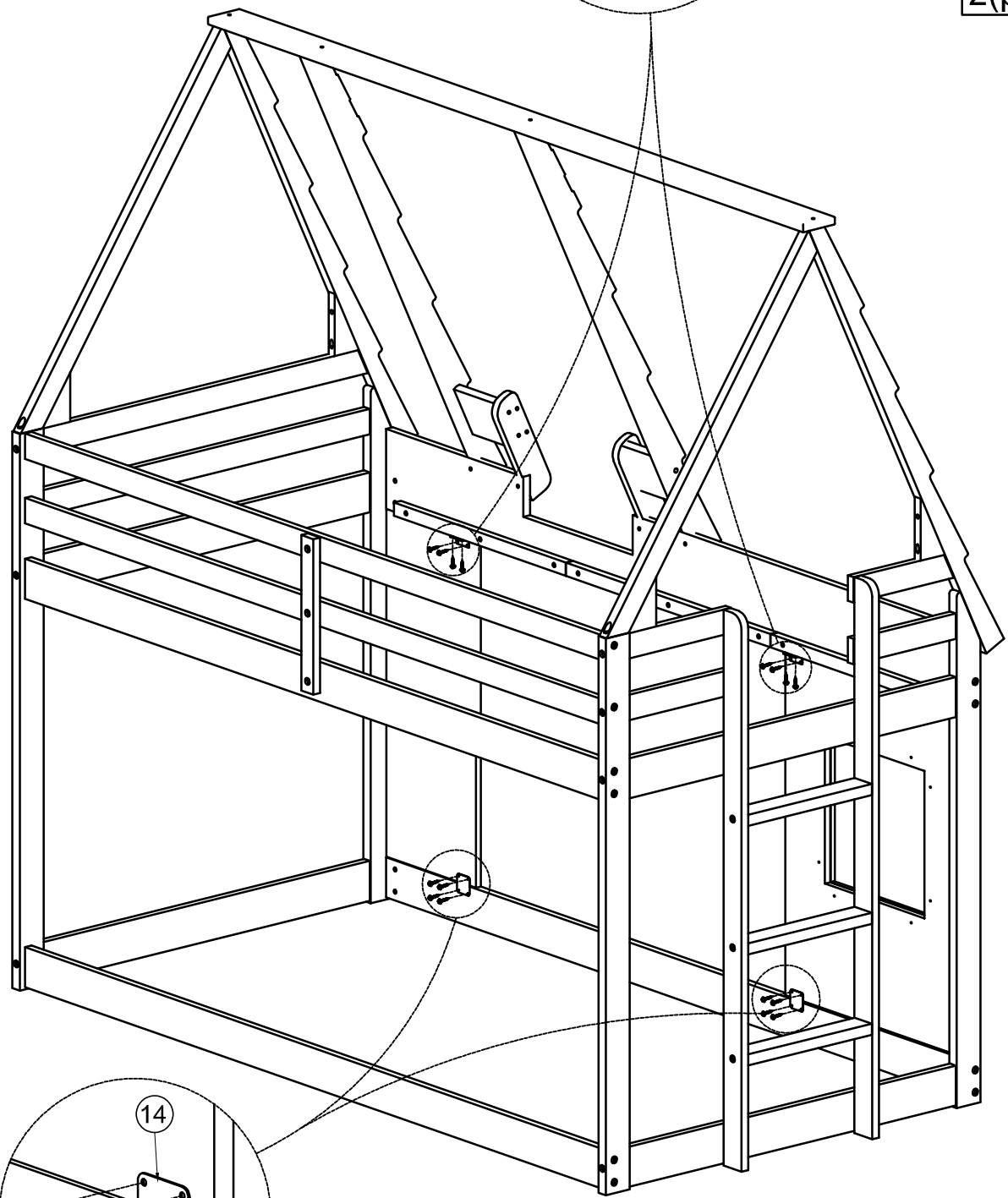
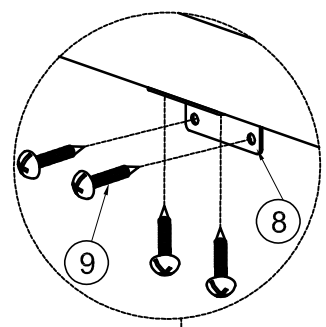
**STEP13:** Following below illustration.

6

4(pcs)



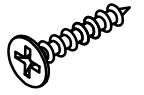
**STEP14:** Following below illustration.

14	9
	
2(pcs)	16(pcs)
	8
	
	2(pcs)

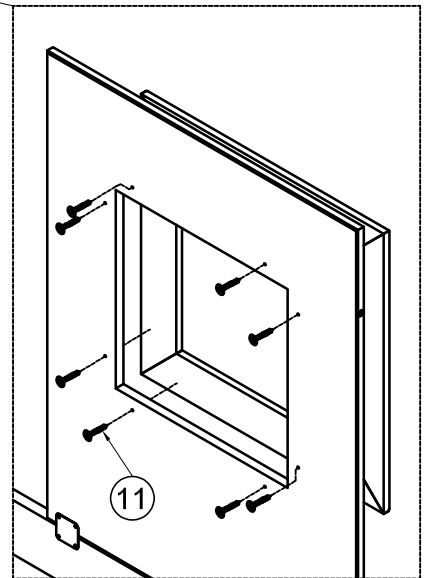
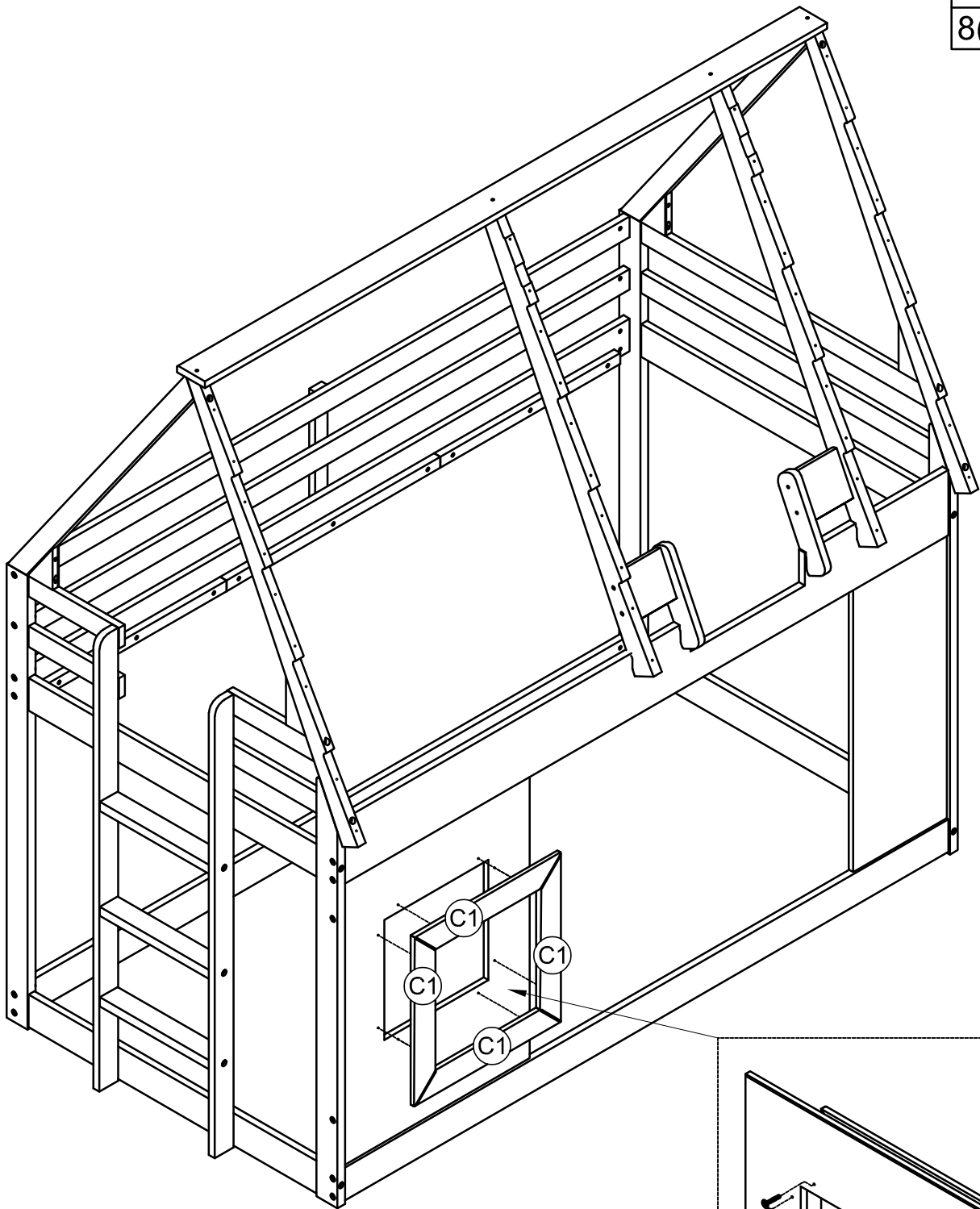


**STEP15:** Following below illustration.

11



8(pcs)

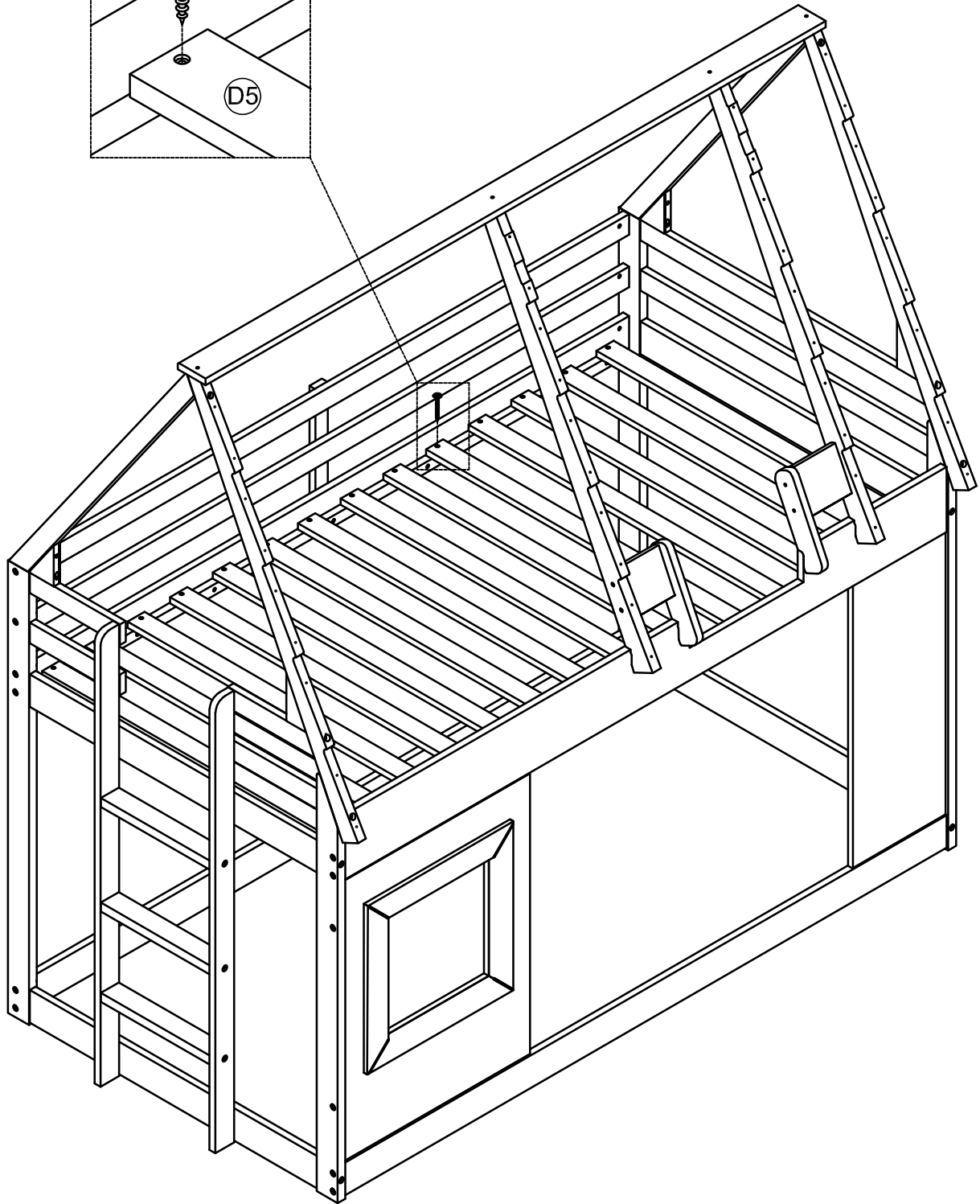
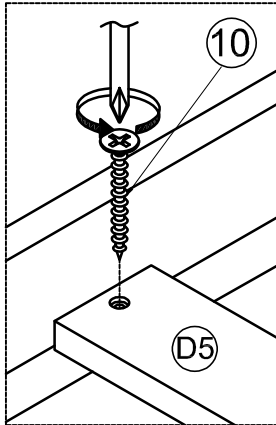


**STEP16:** Following below illustration.

10



28(pcs)

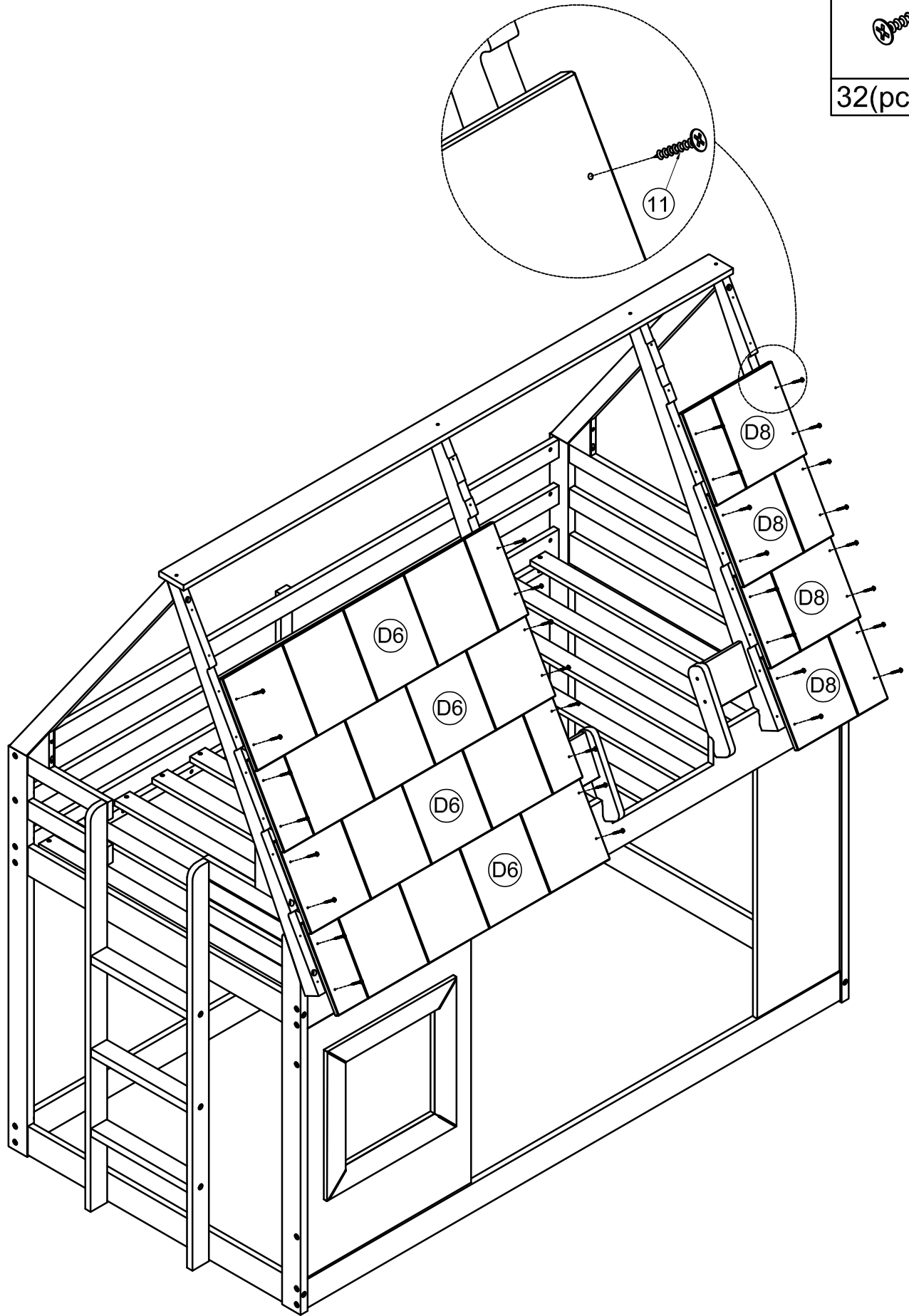


**STEP17:** Following below illustration.

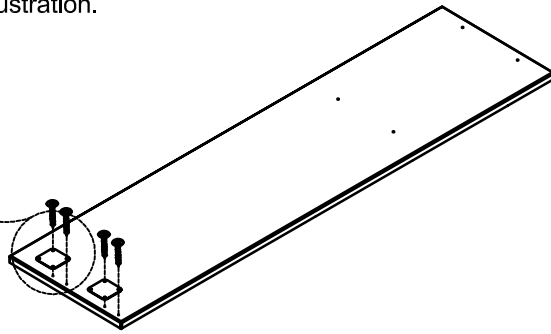
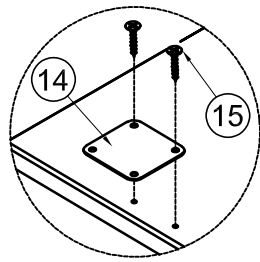
11



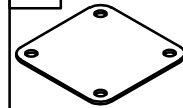
32(pcs)



**STEP18:** Following below illustration.



14



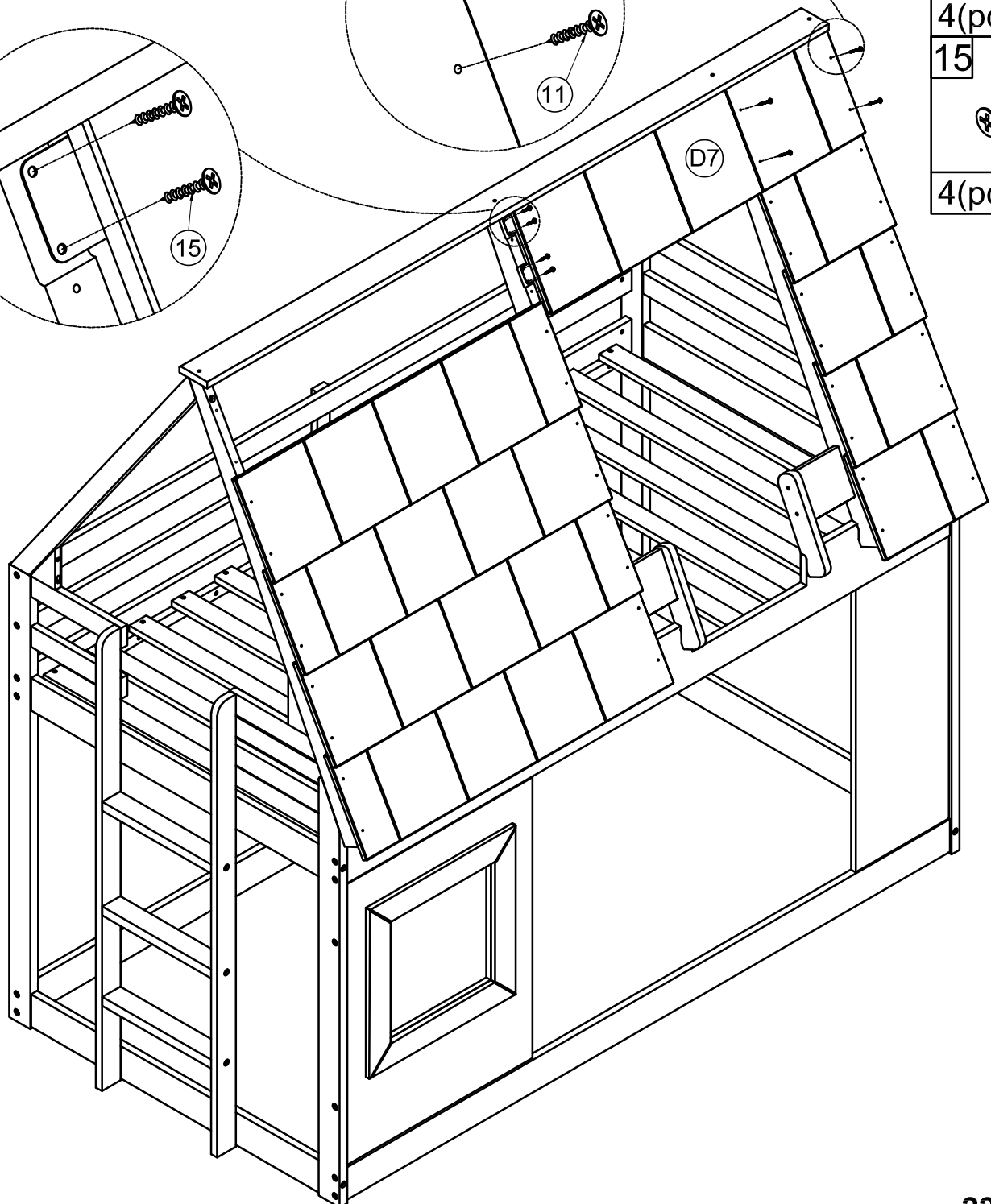
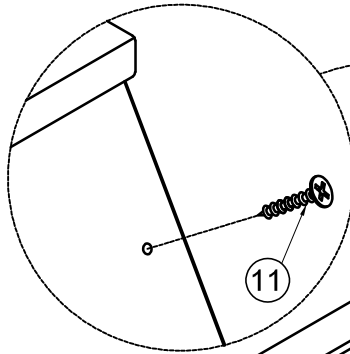
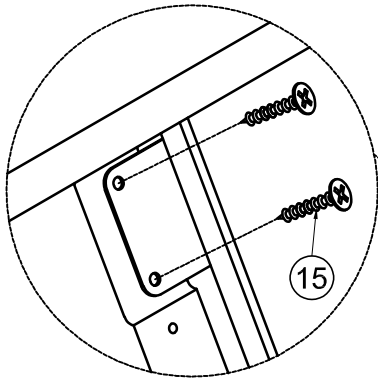
2(pcs)

15



4(pcs)

**STEP19:** Following below illustration.



11



4(pcs)

15



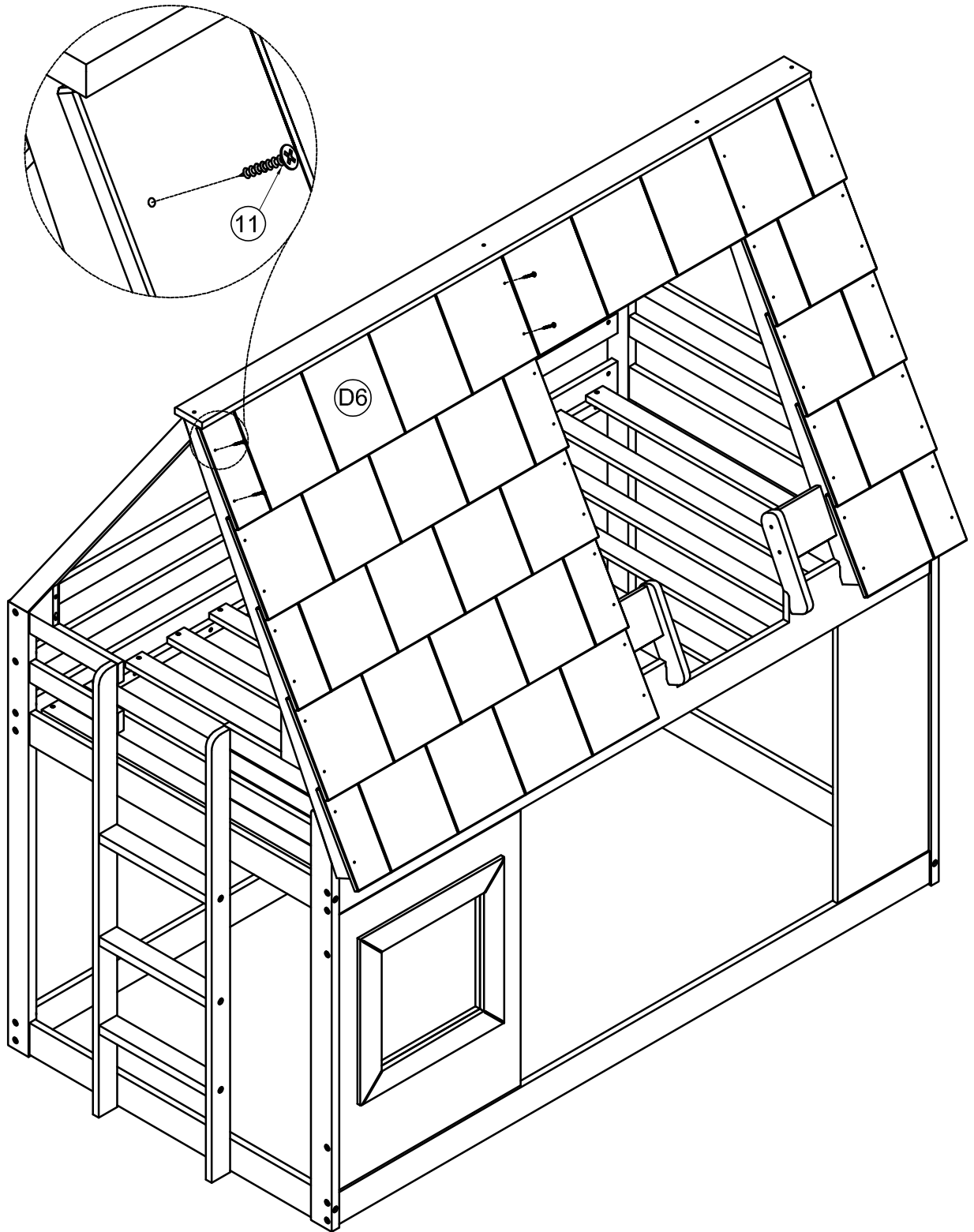
4(pcs)

**STEP20:** Following below illustration.



11

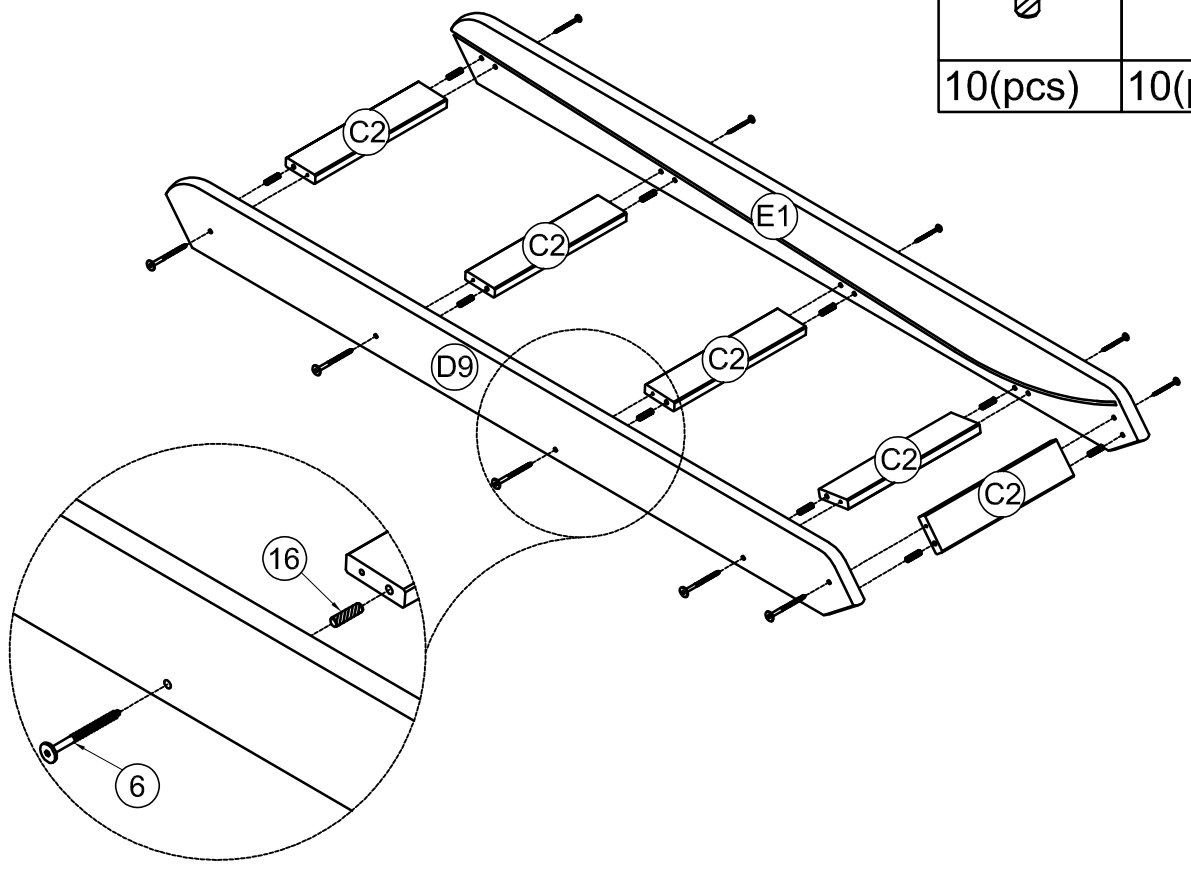


4(pcs)

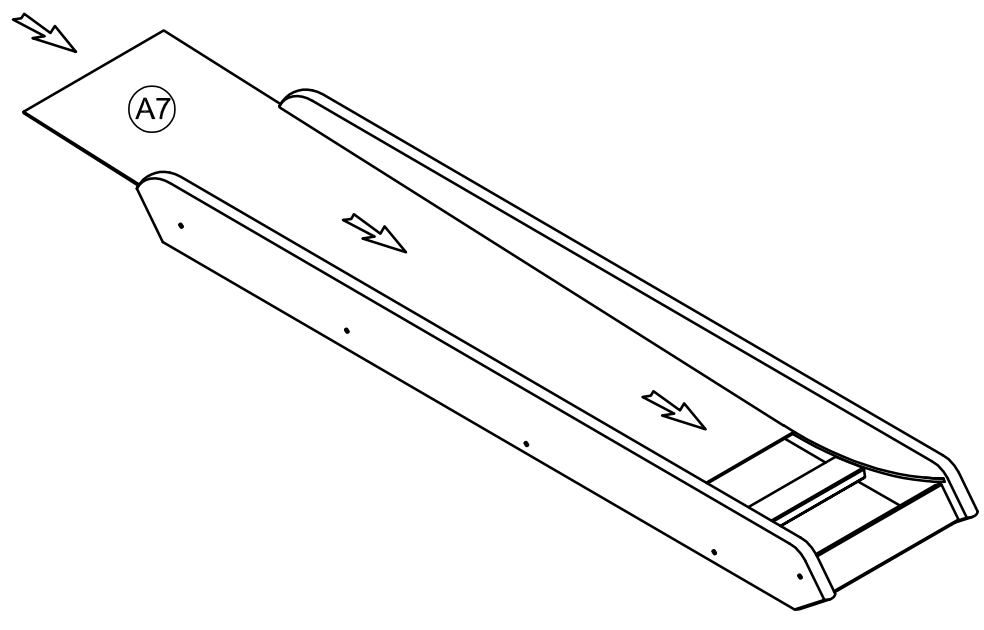


**STEP21:** Following below illustration.

16		6	
10(pcs)		10(pcs)	

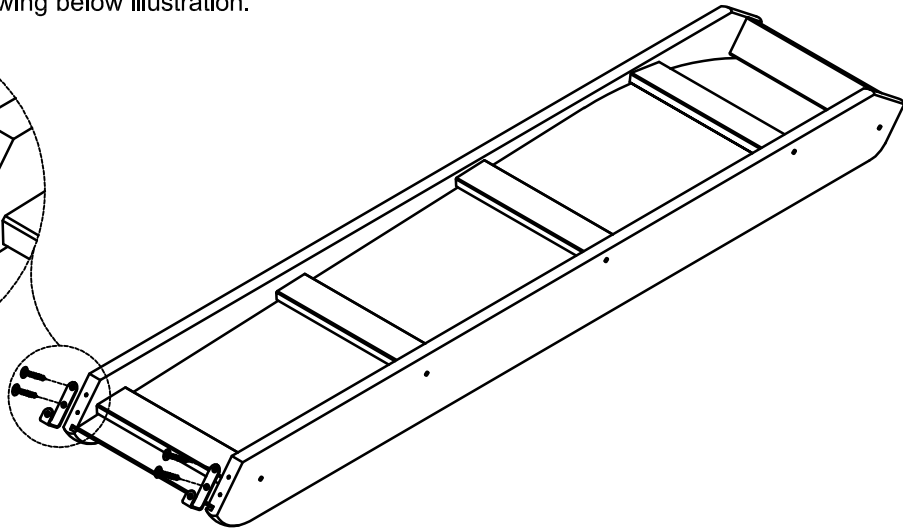
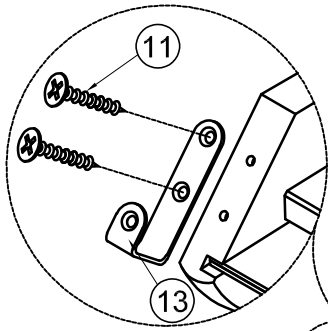


**STEP22:** Following below illustration.





**STEP23:** Following below illustration.



13



2(pcs)

11



4(pcs)

**STEP24:** Following below illustration.

11



2(pcs)

