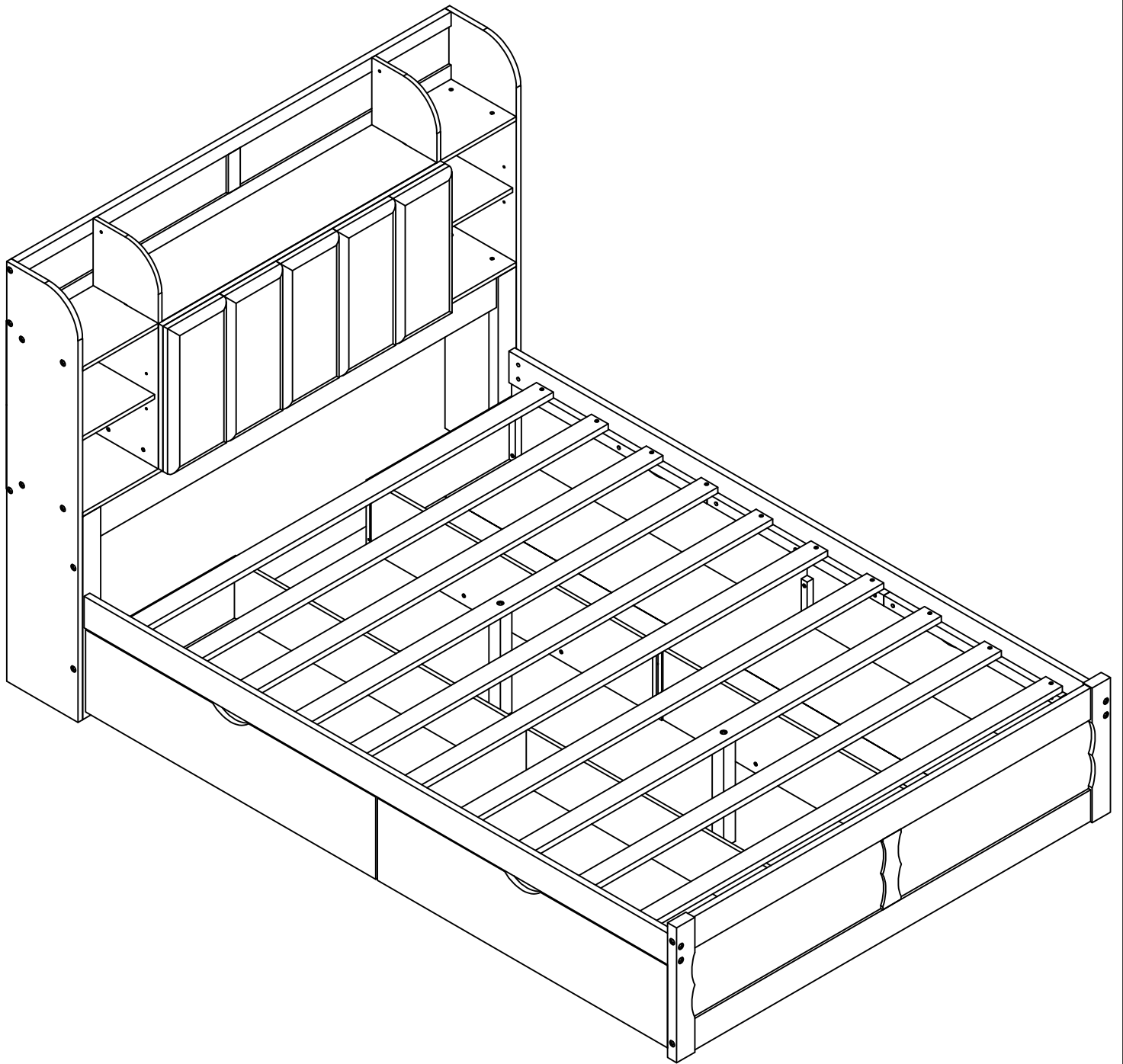
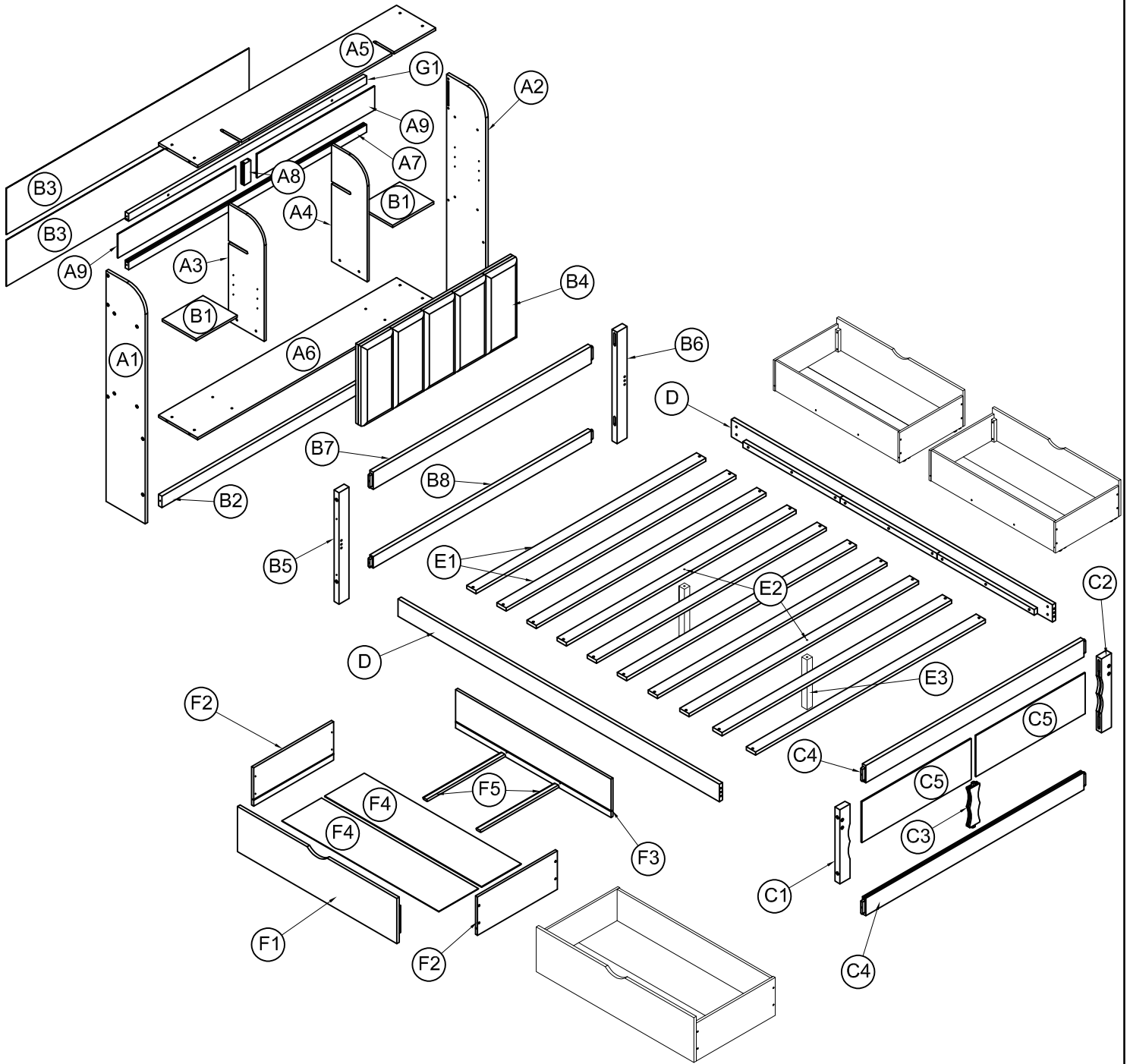


ASSEMBLY INSTRUCTION

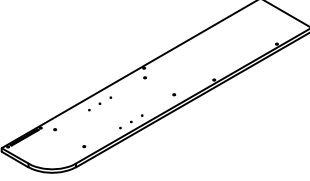
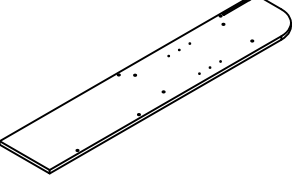
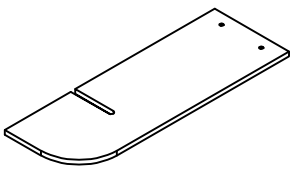
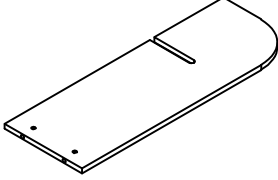
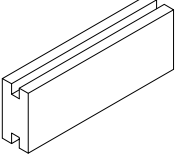
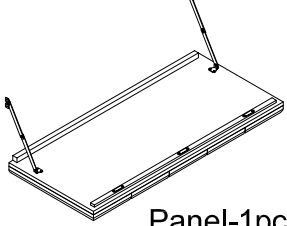
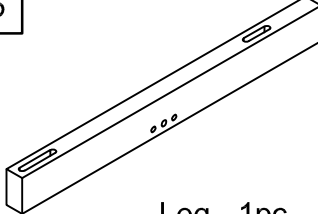
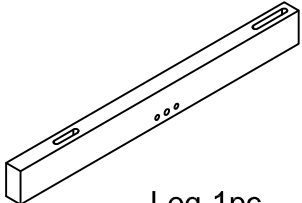
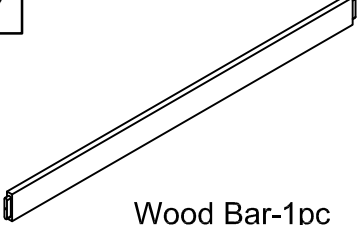
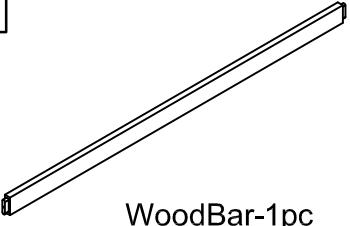
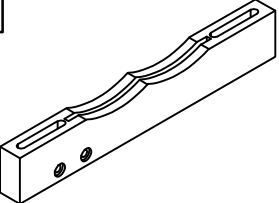
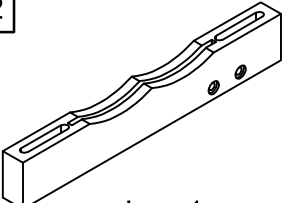
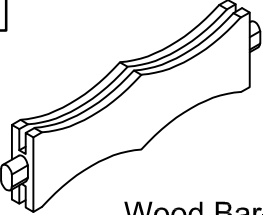
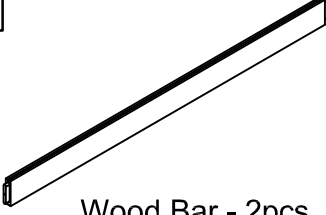

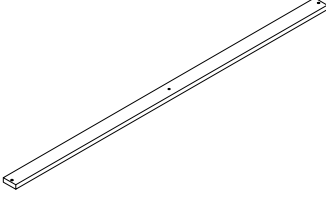

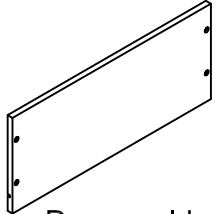
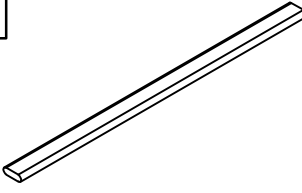
SKU CODE: (WF304751-WF304752)



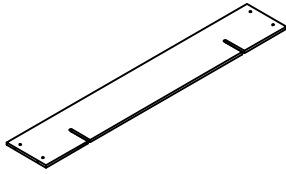
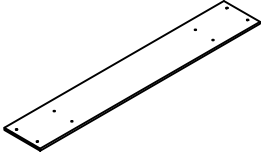

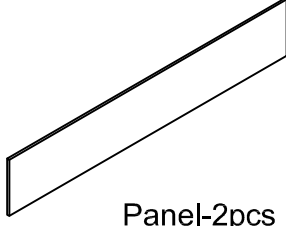
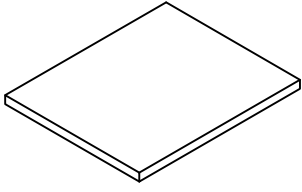
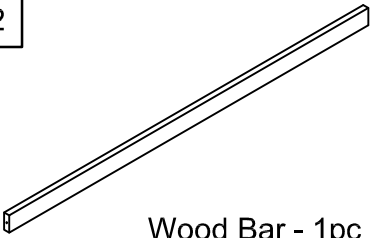
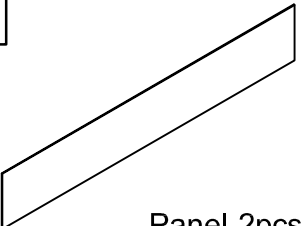
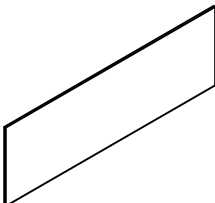
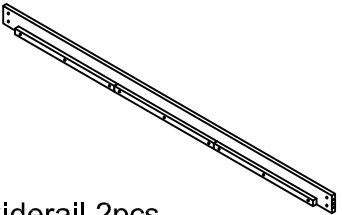
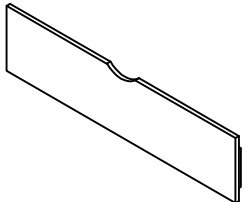
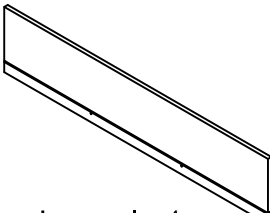
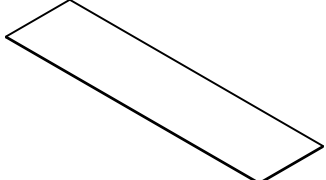

ASSEMBLY INSTRUCTION








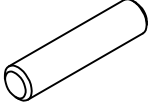
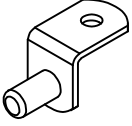
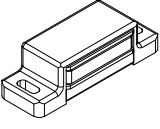
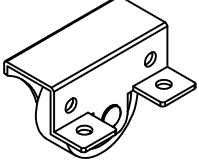

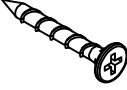

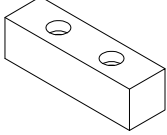

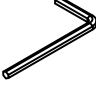
Part List & Hardware List (BOX 1: WF304751)

| | | |
|---|--|---|
| <p>A1</p>  <p>Panel-1pc</p> | <p>A2</p>  <p>Panel-1pc</p> | <p>A3</p>  <p>Panel-1pc</p> |
| <p>A4</p>  <p>Panel-1pc</p> | <p>A8</p>  <p>Wood Bar-1pc</p> | <p>B4</p>  <p>Panel-1pc</p> |
| <p>B5</p>  <p>Leg - 1pc</p> | <p>B6</p>  <p>Leg-1pc</p> | <p>B7</p>  <p>Wood Bar-1pc</p> |
| <p>B8</p>  <p>WoodBar-1pc</p> | <p>C1</p>  <p>Leg-1pc</p> | <p>C2</p>  <p>Leg-1pc</p> |
| <p>C3</p>  <p>Wood Bar-1pc</p> | <p>C4</p>  <p>Wood Bar - 2pcs</p> | <p>E1</p>  <p>Slats-8pcs</p> |
| <p>E2</p>  <p>Slats-2pcs</p> | <p>E3</p>  <p>Wood Bar - 2pcs</p> | <p>F2</p>  <p>Drawer side panel - 8pcs</p> |
| <p>F5</p>  <p>Drawer support bar -8pcs</p> | | |

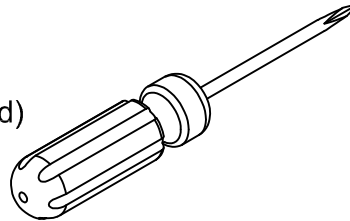
Part List (BOX 2: WF304752)

| | | |
|--|---|--|
| <p>A5</p>  <p>Panel - 1pc</p> | <p>A6</p>  <p>Panel - 1pc</p> | <p>A7</p>  <p>WoodBar-1pc</p> |
| <p>A9</p>  <p>Panel-2pcs</p> | <p>B1</p>  <p>Panel-2pcs</p> | <p>B2</p>  <p>Wood Bar - 1pc</p> |
| <p>B3</p>  <p>Panel-2pcs</p> | <p>C5</p>  <p>Panel-2pcs</p> | <p>D</p>  <p>Siderail-2pcs</p> |
| <p>F1</p>  <p>Drawer front panel-4pcs</p> | <p>F3</p>  <p>Drawer back panel -4pc</p> | <p>F4</p>  <p>Drawer bottom panel-8pc</p> |
| <p>G1</p>  <p>WoodBar-1pc</p> | | |

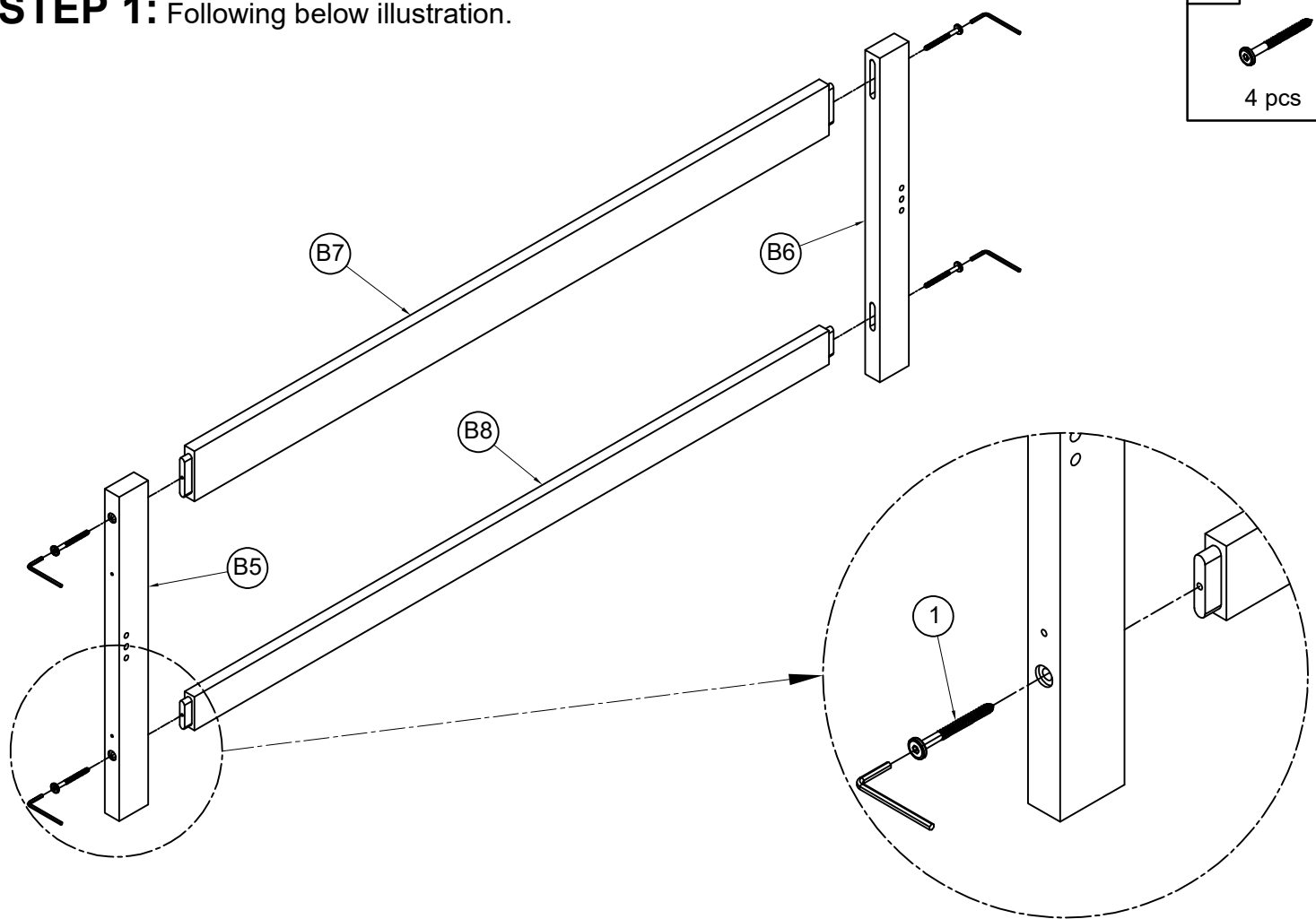
Hardware List (BOX 1: WF304751)

| | | |
|---|--|--|
| <p>1</p>  <p>1/4" x 80 Hex-Head Screws = 8pcs</p> | <p>2</p>  <p>1/4" x 40 Hex-Head Screws = 10pcs</p> | <p>3</p>  <p>Ø1/4" x 80 Hex-Head Bolts = 8pcs</p> |
| <p>4</p>  <p>Ø1/4" x 50 Hex-Head Bolts = 14 pcs</p> | <p>5</p>  <p>Nut = 22pcs</p> | <p>6</p>  <p>Ø10x40mm Wood Dowel = 4pcs</p> |
| <p>7</p>  <p>Latches = 8pcs</p> | <p>8</p>  <p>Magnetic Catch = 3pcs</p> | <p>9</p>  <p>Caster = 16pcs</p> |
| <p>10</p>  <p>M3.5x15mm Round head Screws = 30 pcs</p> | <p>11</p>  <p>M4x30mm Flat head Screws = 78pcs</p> | <p>12</p>  <p>M3x12mm Flat head Screws = 66 pcs</p> |
| <p>13</p>  <p>Stop Drawer = 8 pcs</p> | <p>14</p>  <p>Ø1/4" x 30 Hex-Head Bolts = 2 pcs</p> | <p>15</p>  <p>Allen key = 1pc</p> |

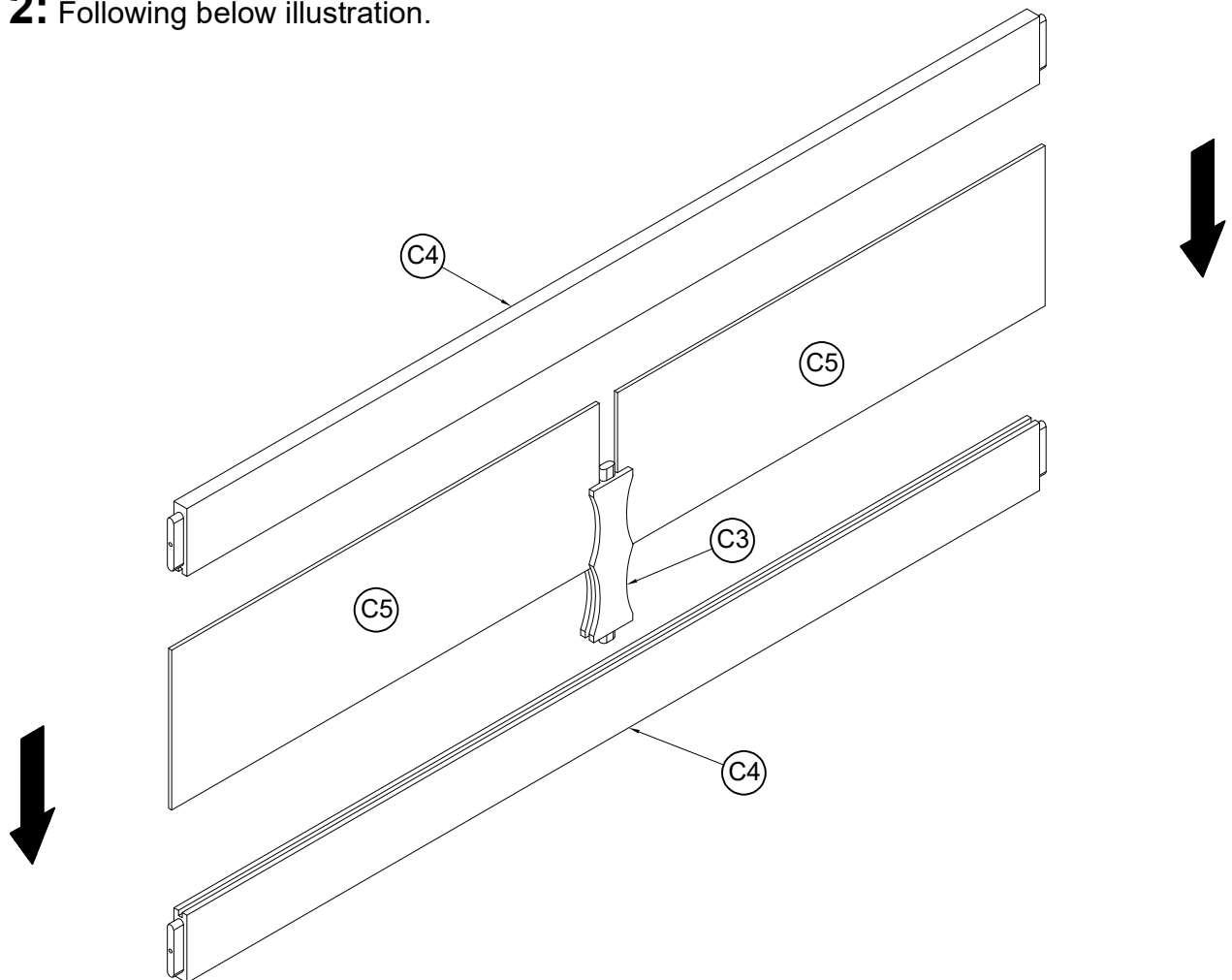
Assembly Tools Required (Not Included)



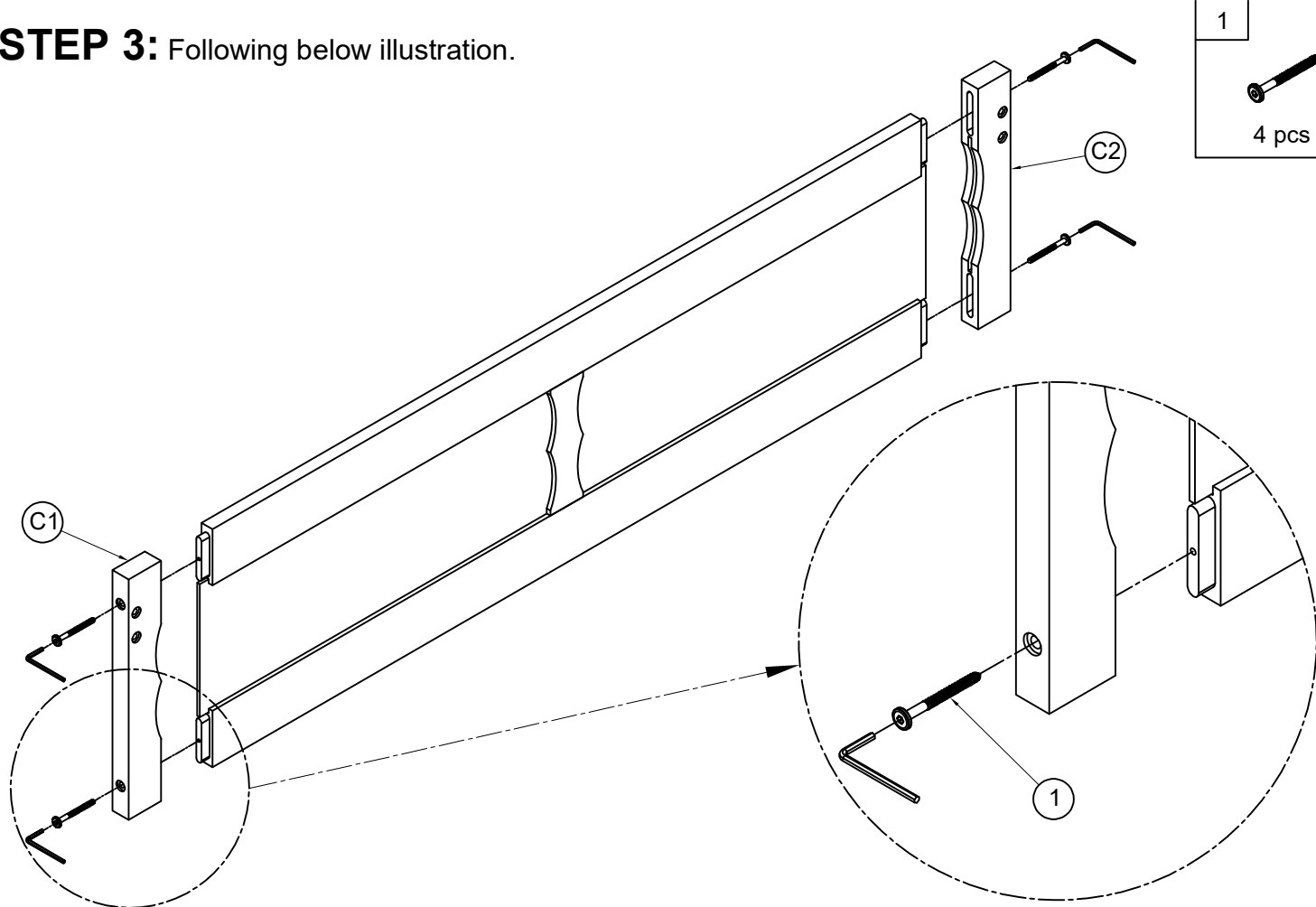
STEP 1: Following below illustration.



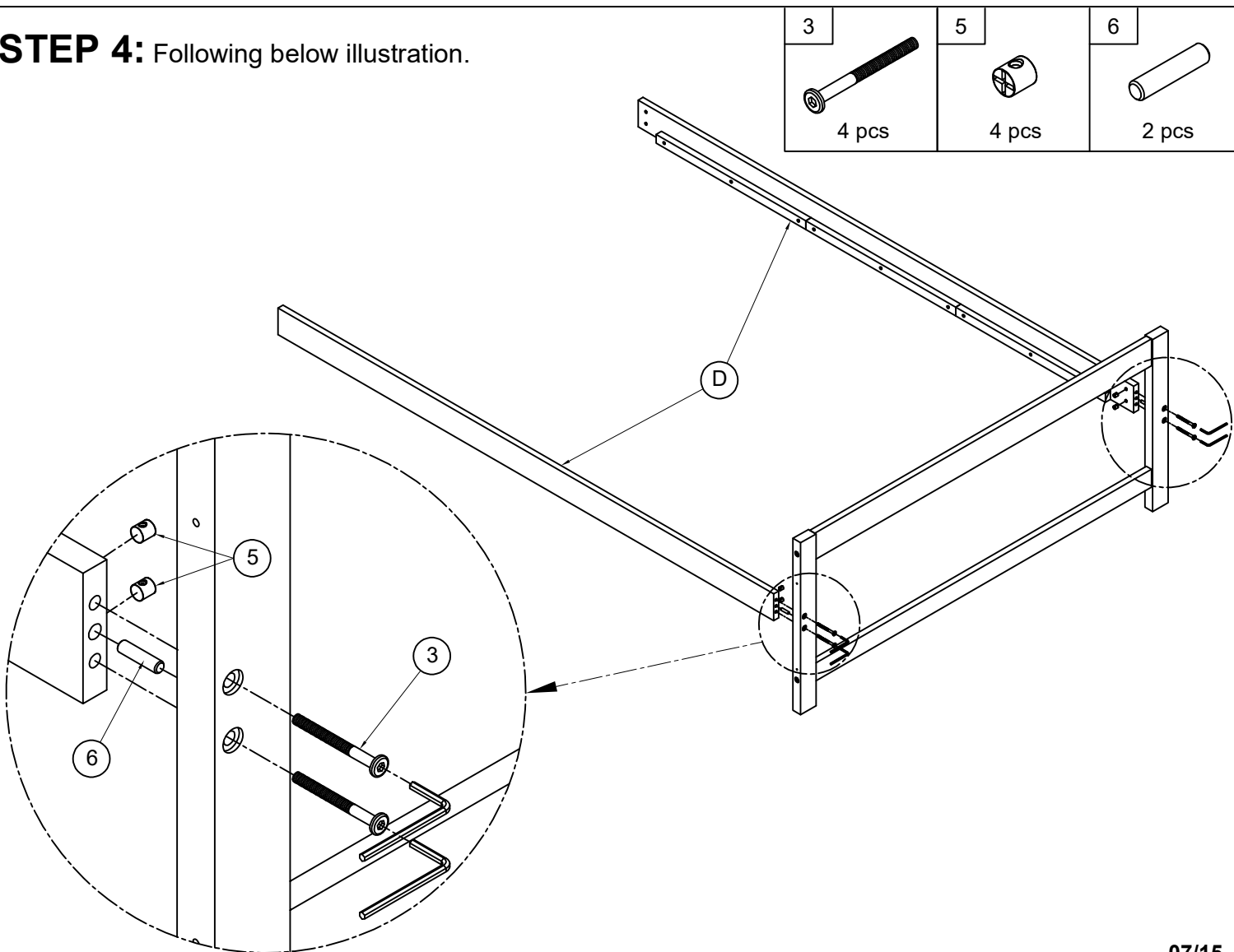
STEP 2: Following below illustration.



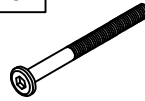

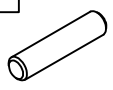
STEP 3: Following below illustration.

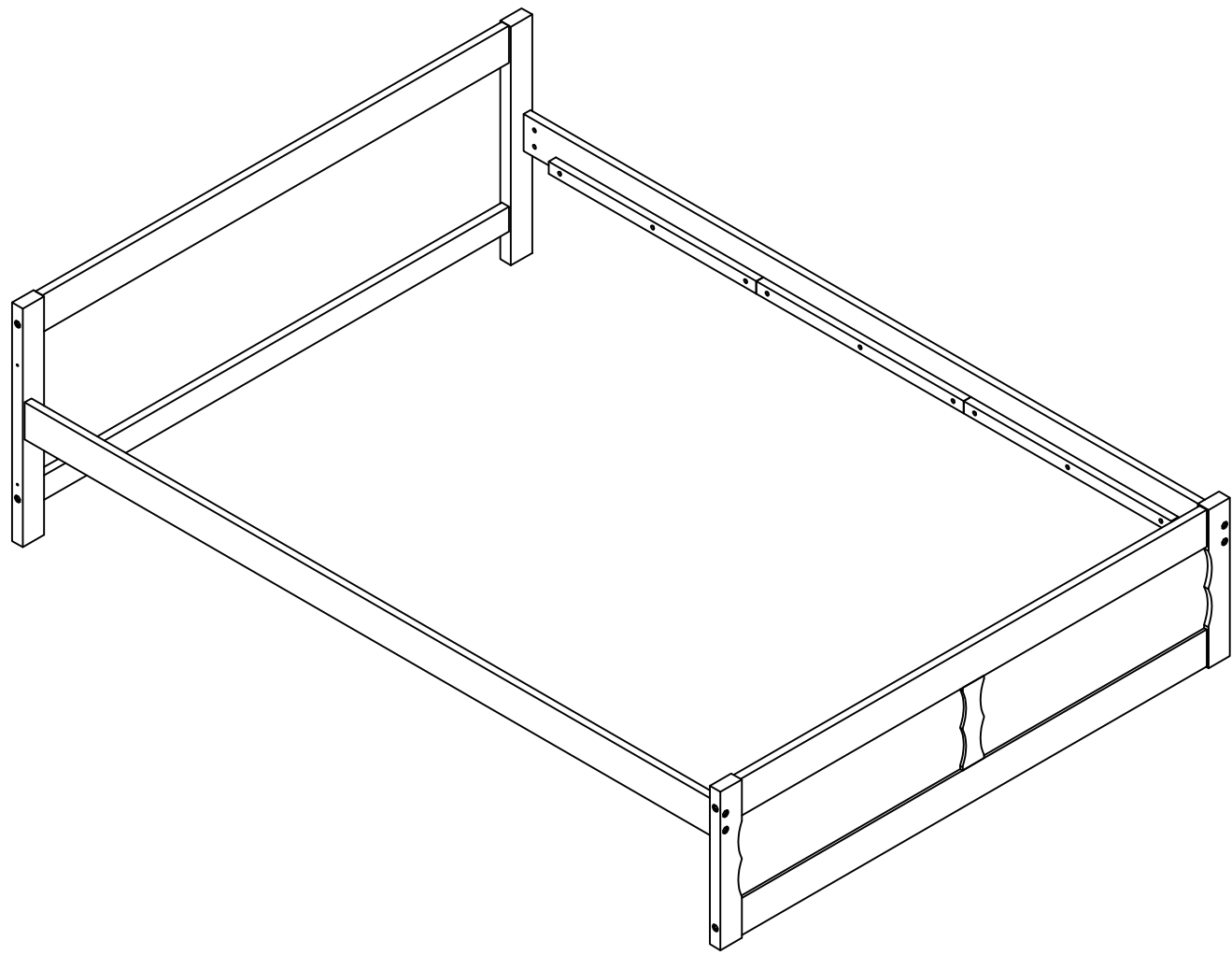
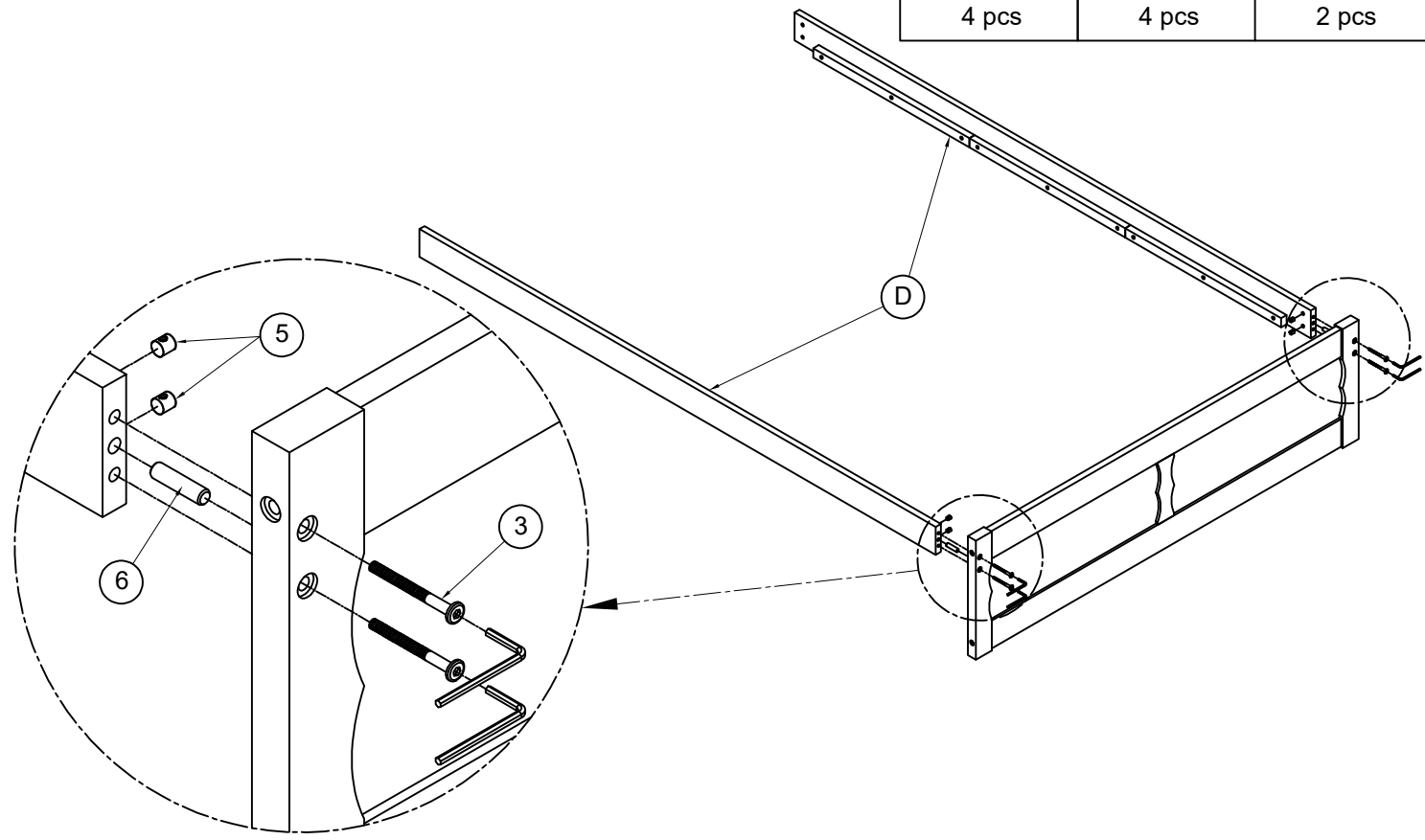


STEP 4: Following below illustration.

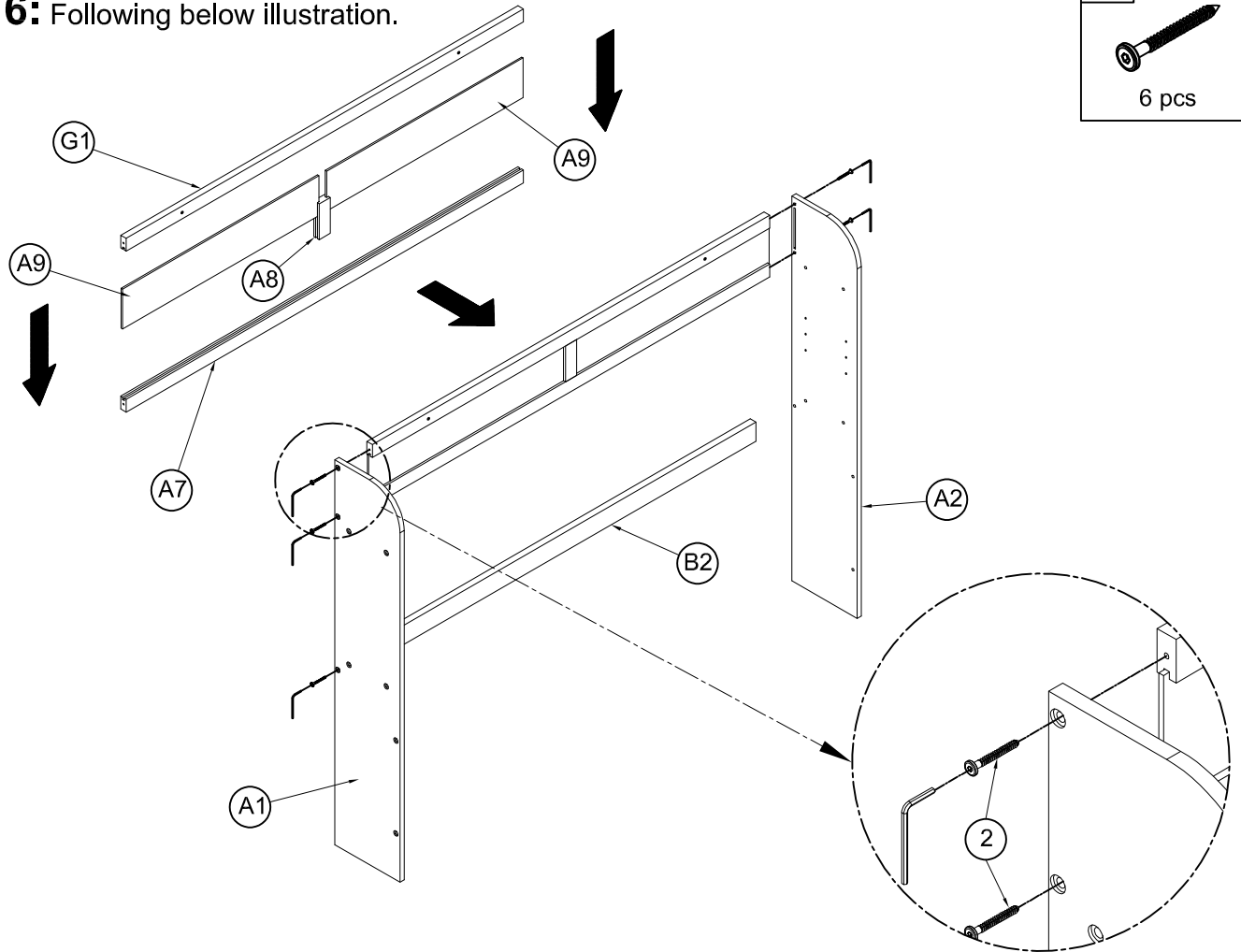


STEP 5: Following below illustration.

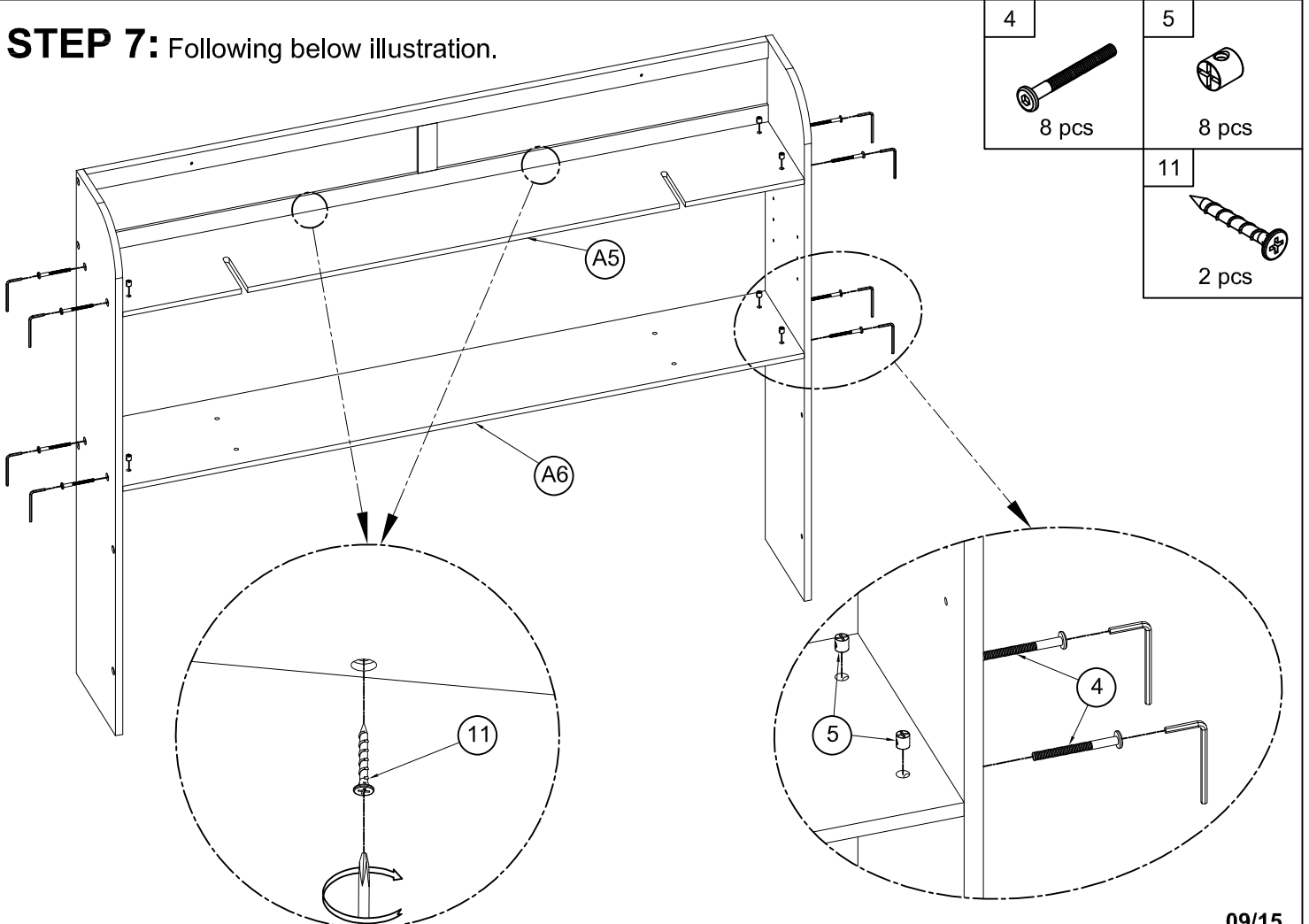
| | | |
|--|--|--|
| 3 | 5 | 6 |
|  |  |  |
| 4 pcs | 4 pcs | 2 pcs |



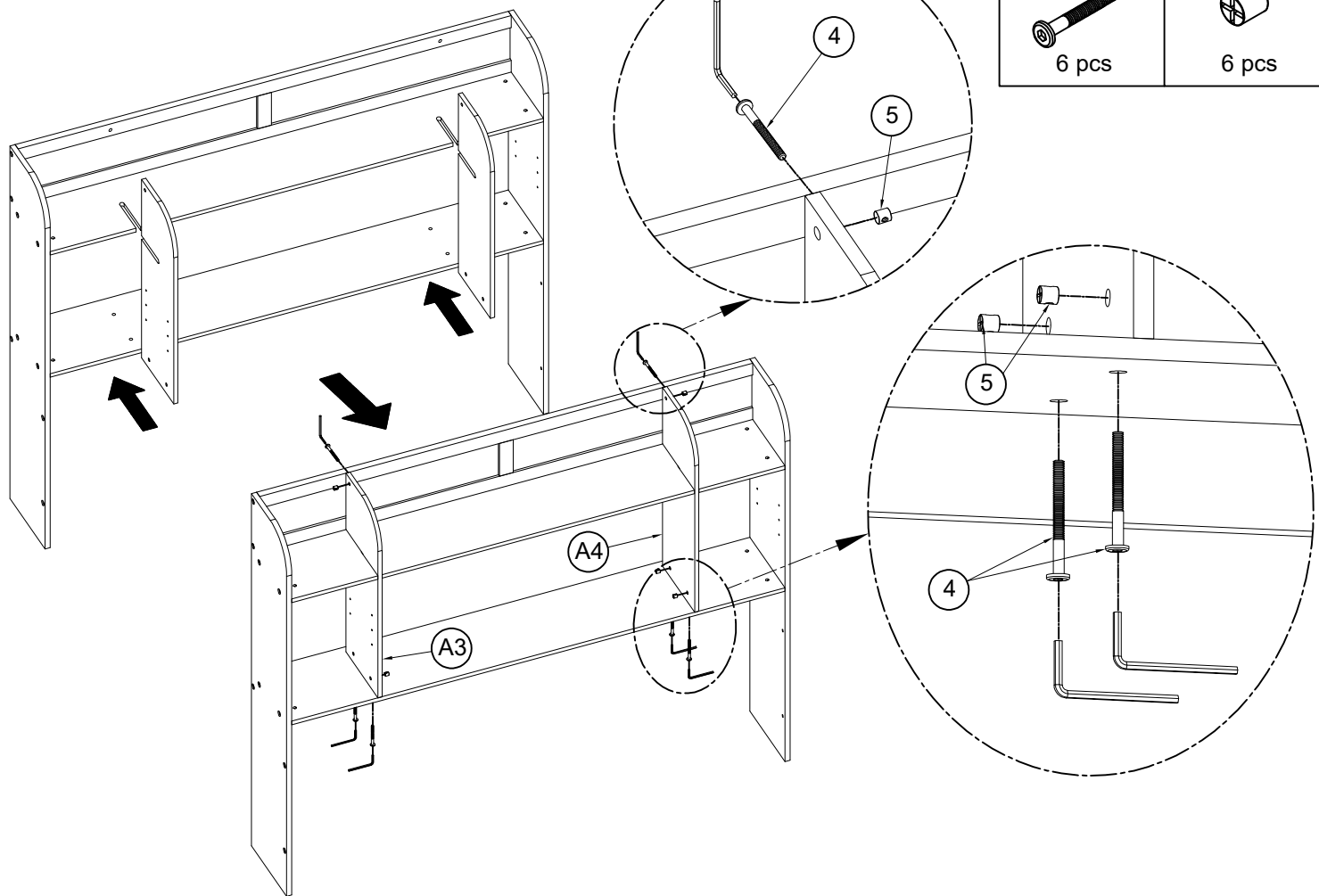
STEP 6: Following below illustration.



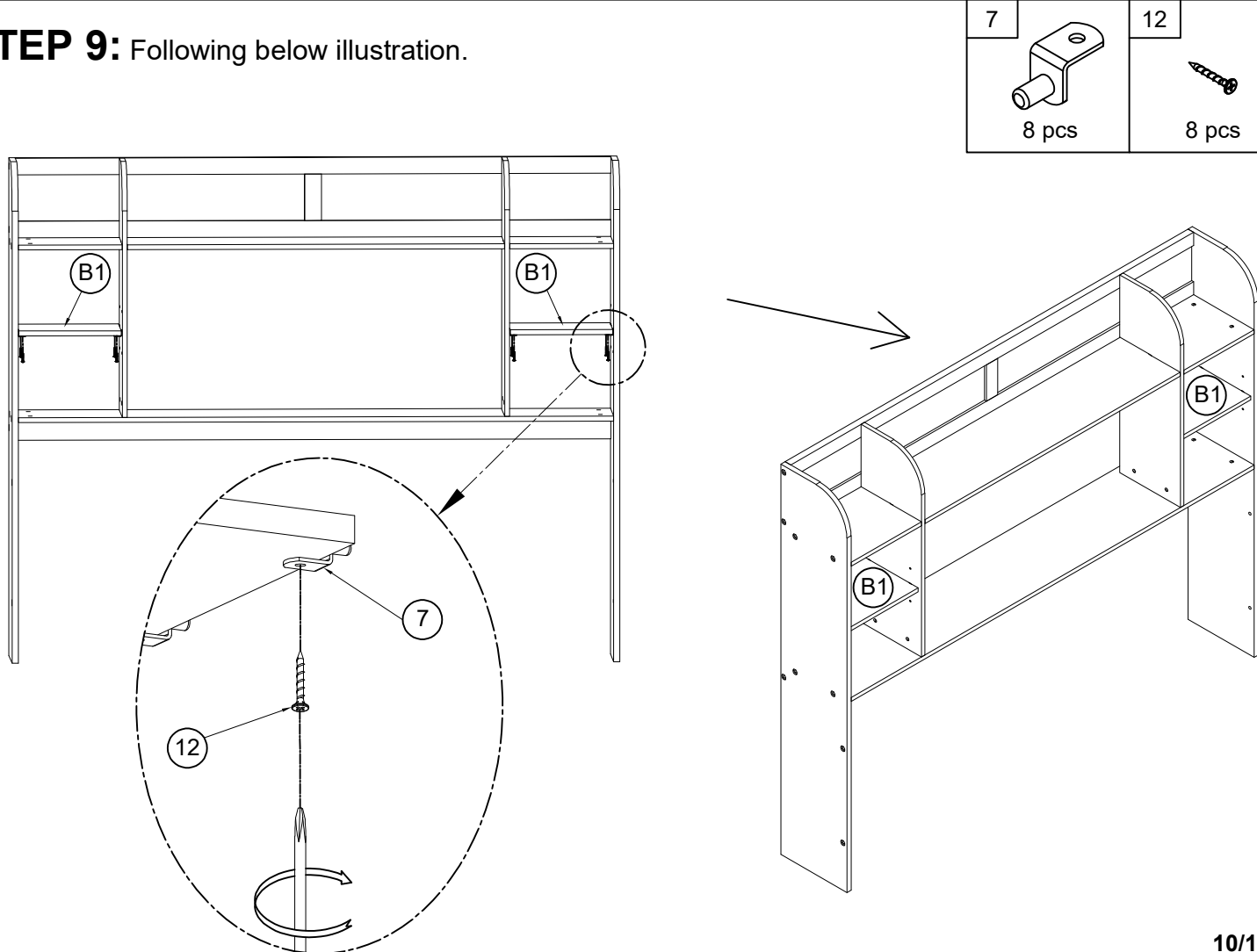
STEP 7: Following below illustration.



STEP 8: Following below illustration.



STEP 9: Following below illustration.

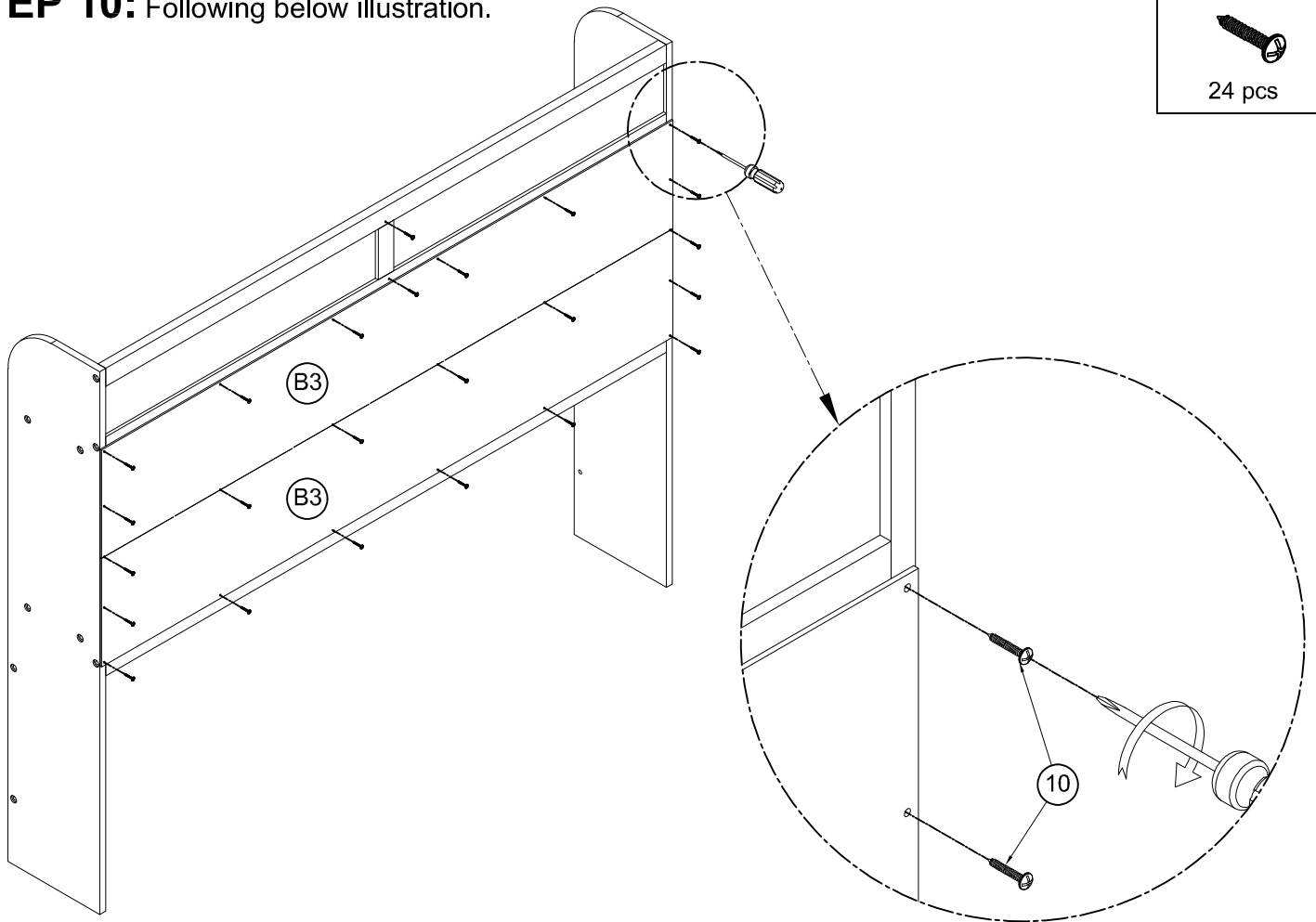


STEP 10: Following below illustration.

10



24 pcs

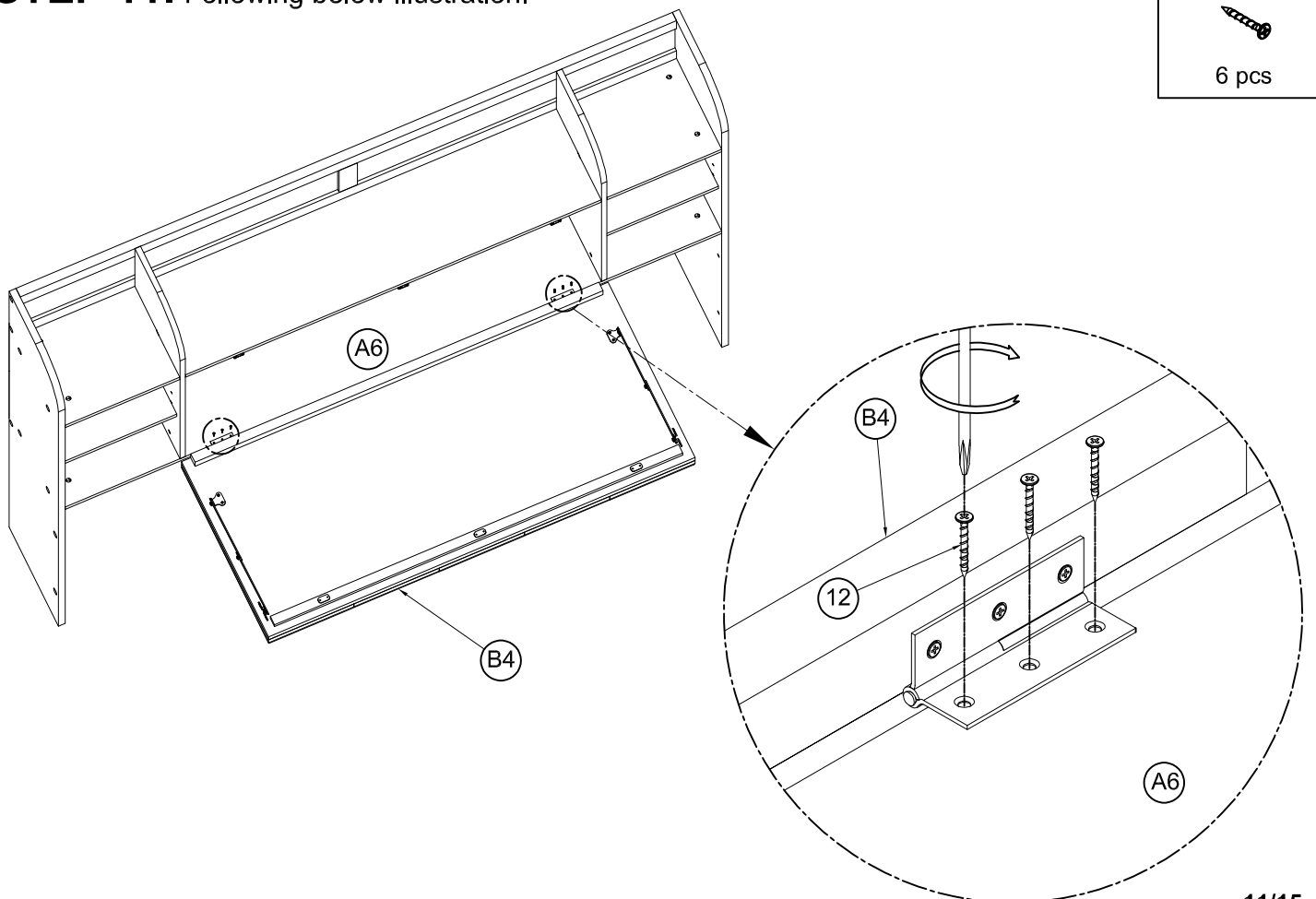


STEP 11: Following below illustration.

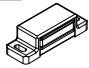


12

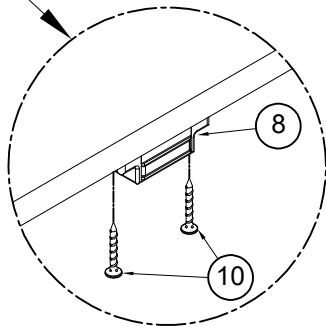
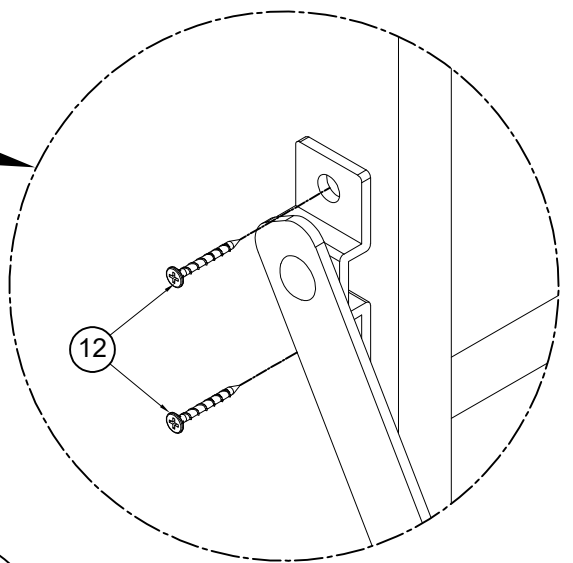
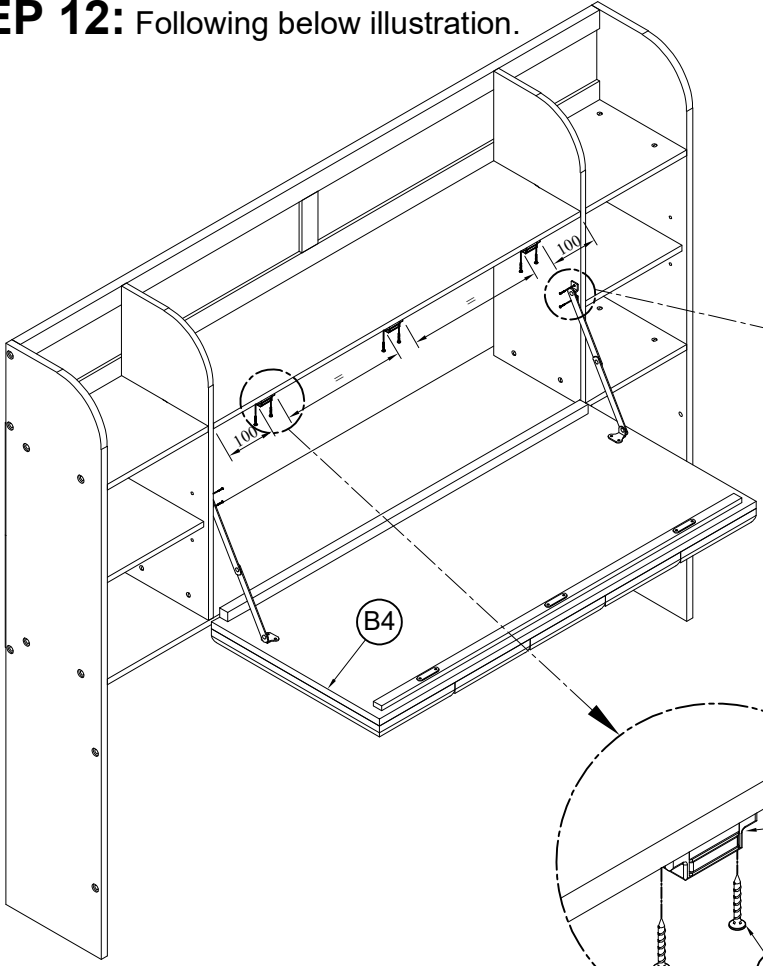


6 pcs




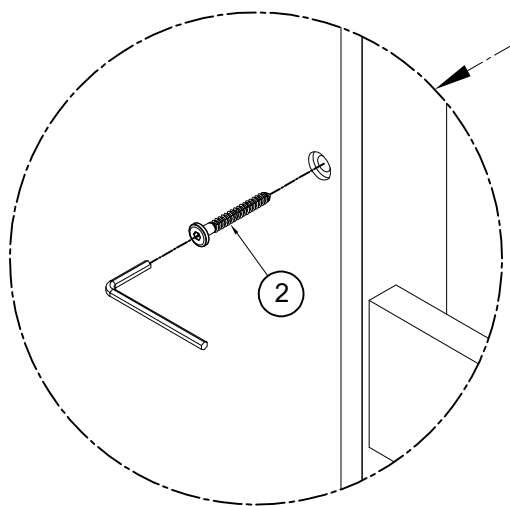
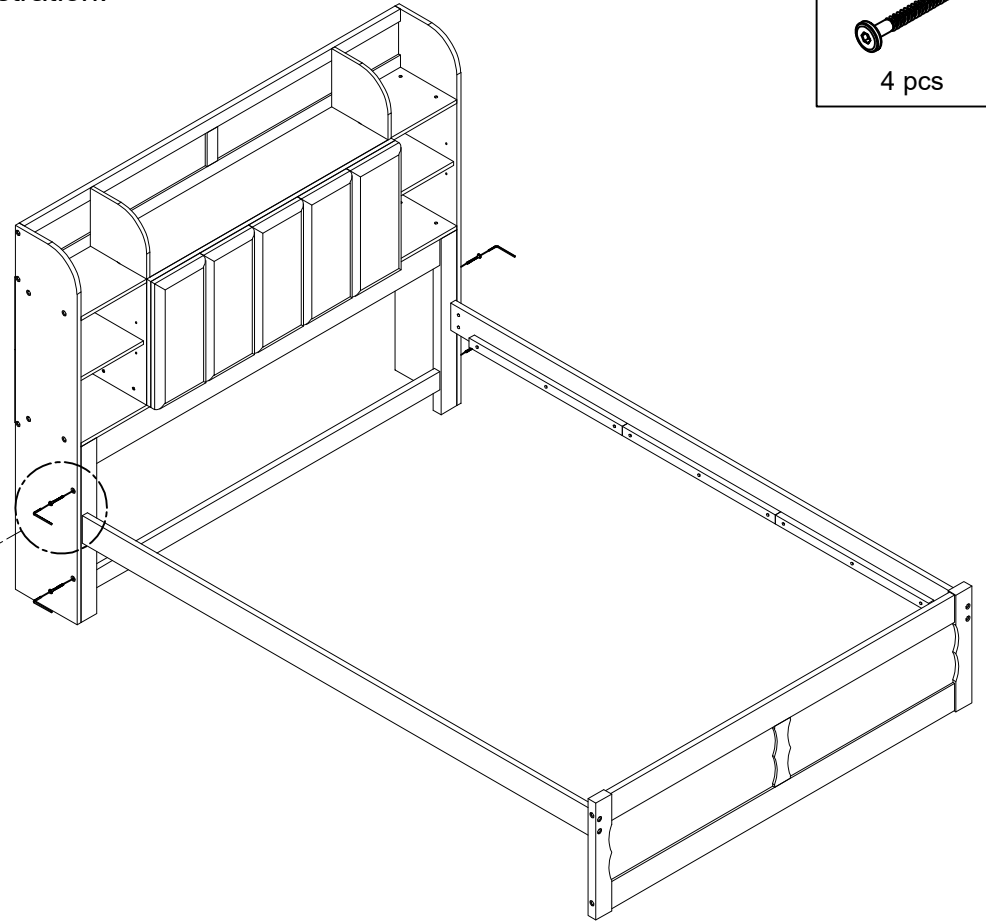
STEP 12: Following below illustration.

| | | |
|--|--|--|
| 8 | 10 | 12 |
|  |  |  |
| 3 pcs | 6 pcs | 4 pcs |

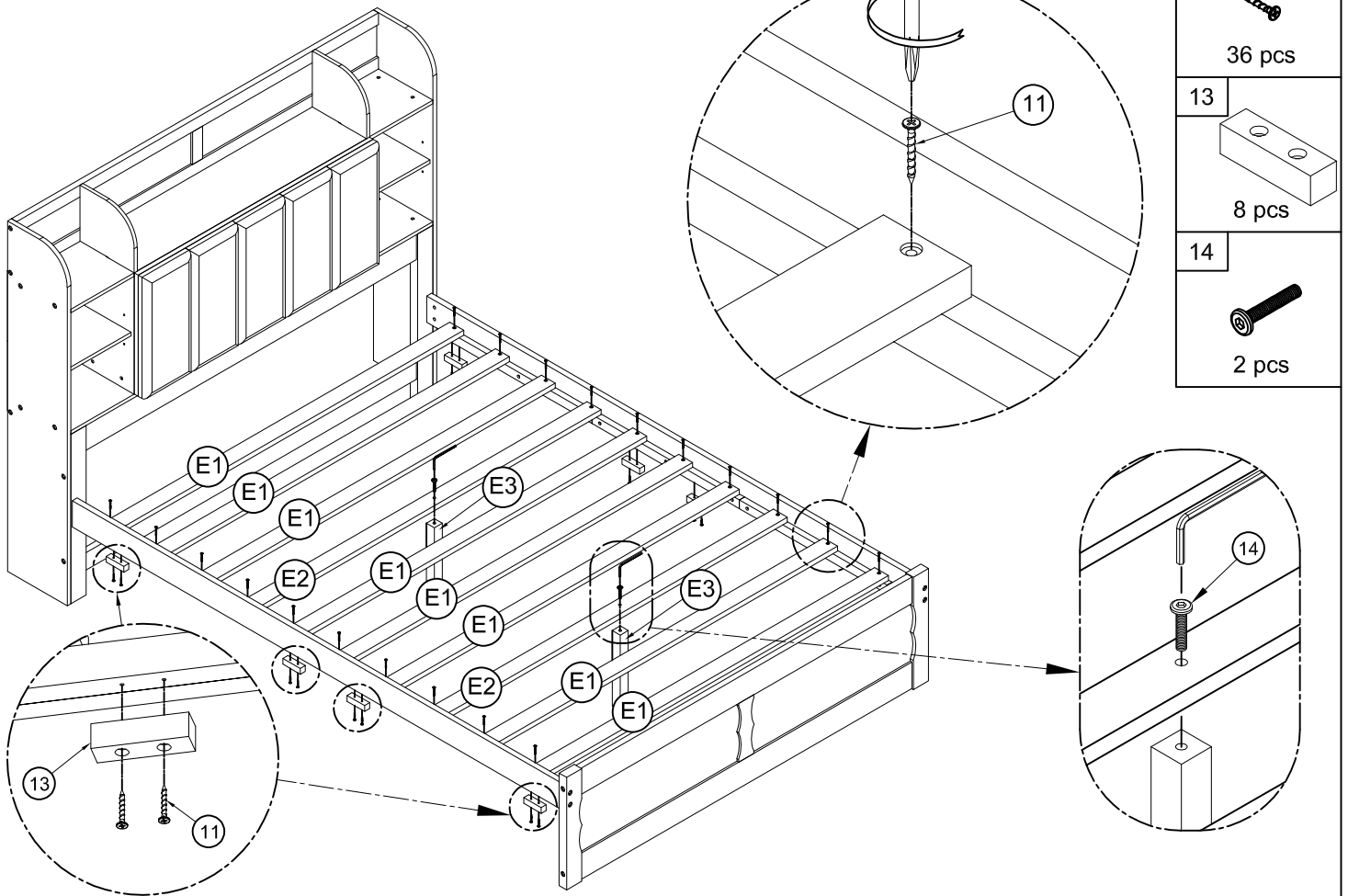


STEP 13: Following below illustration.

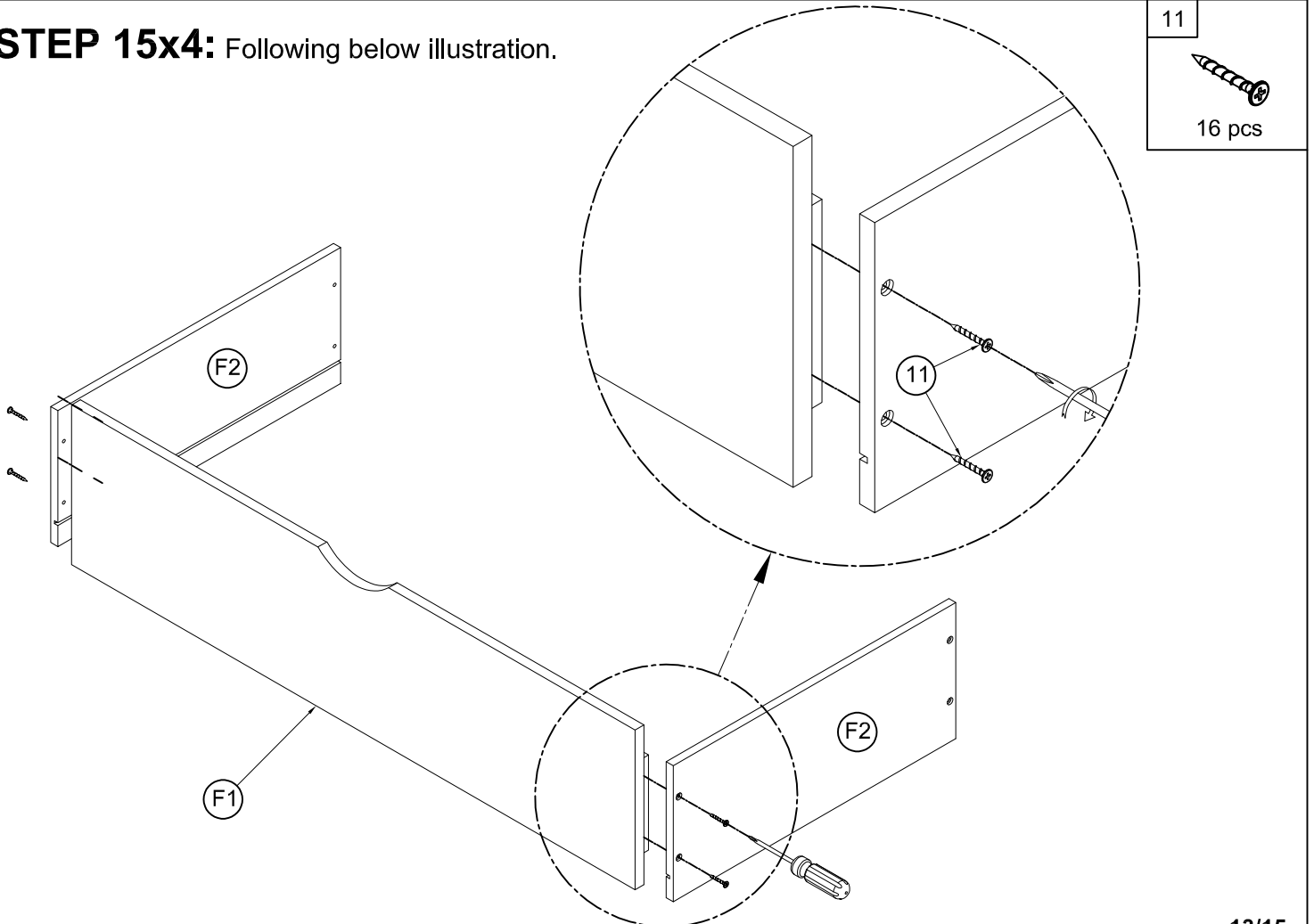
| |
|---|
| 2 |
|  |
| 4 pcs |



STEP 14: Following below illustration.



STEP 15x4: Following below illustration.

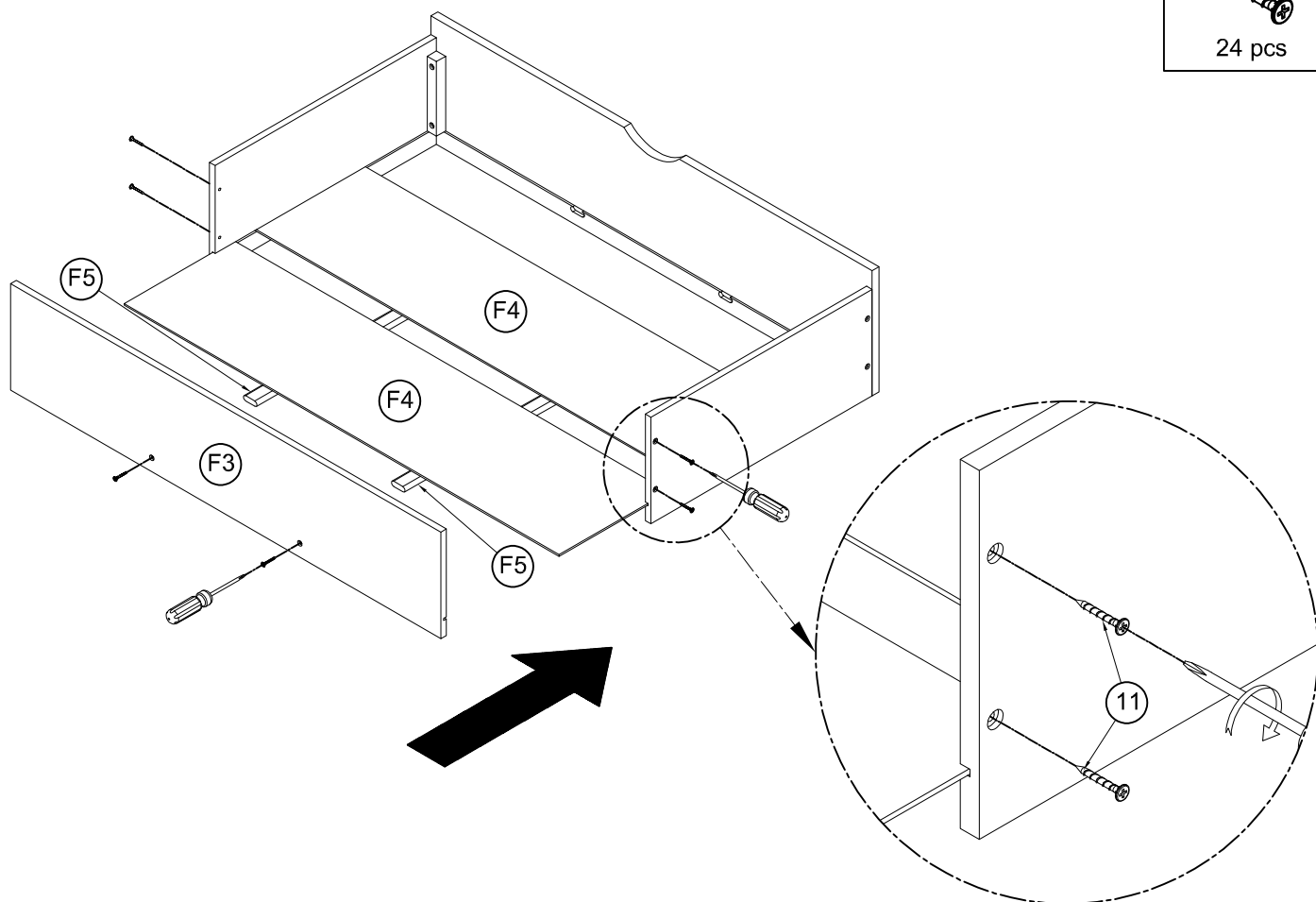


STEP 16x4: Following below illustration.

11



24 pcs



STEP 17x4: Following below illustration.

9

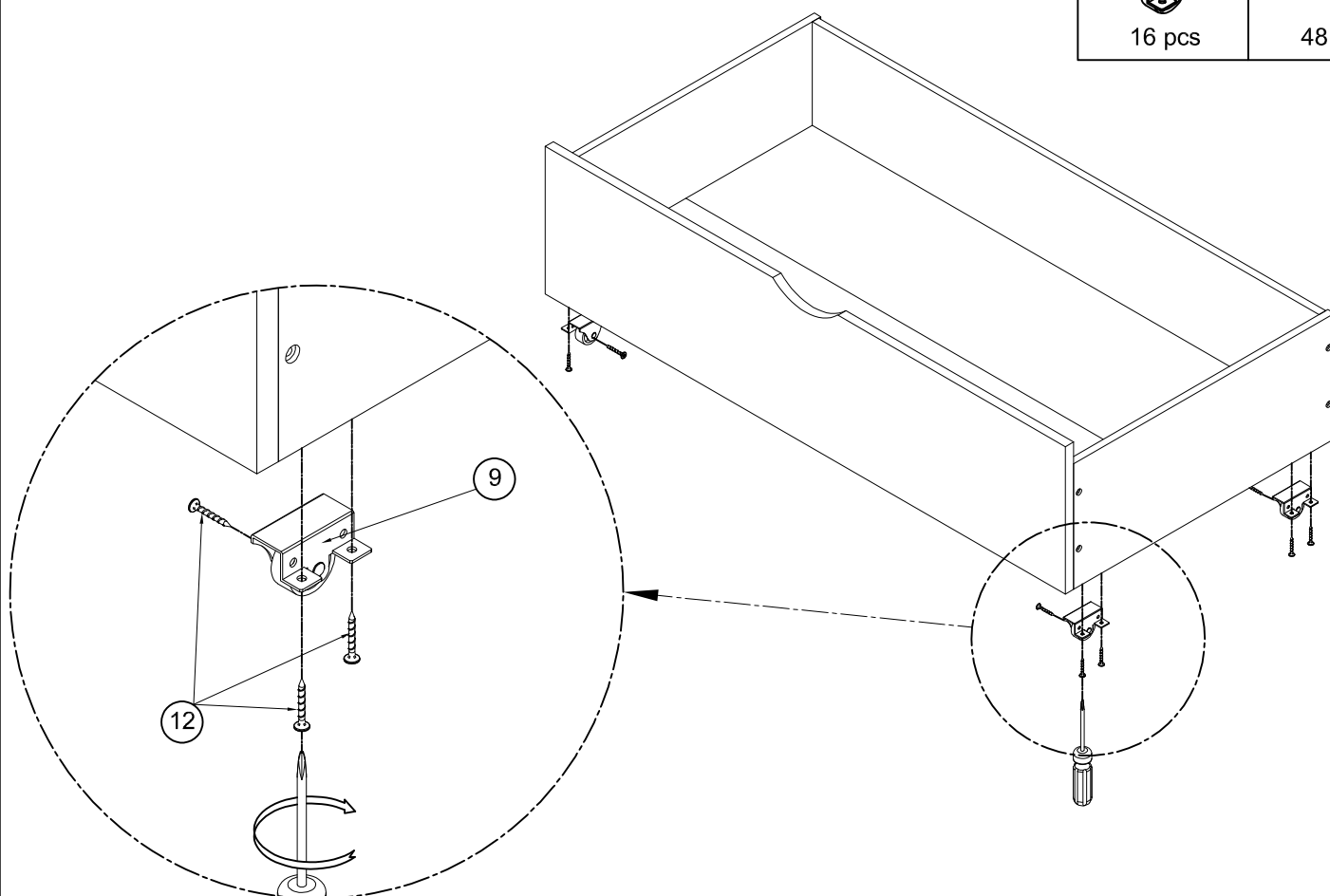


16 pcs

12



48 pcs



STEP 18: Following below illustration.

