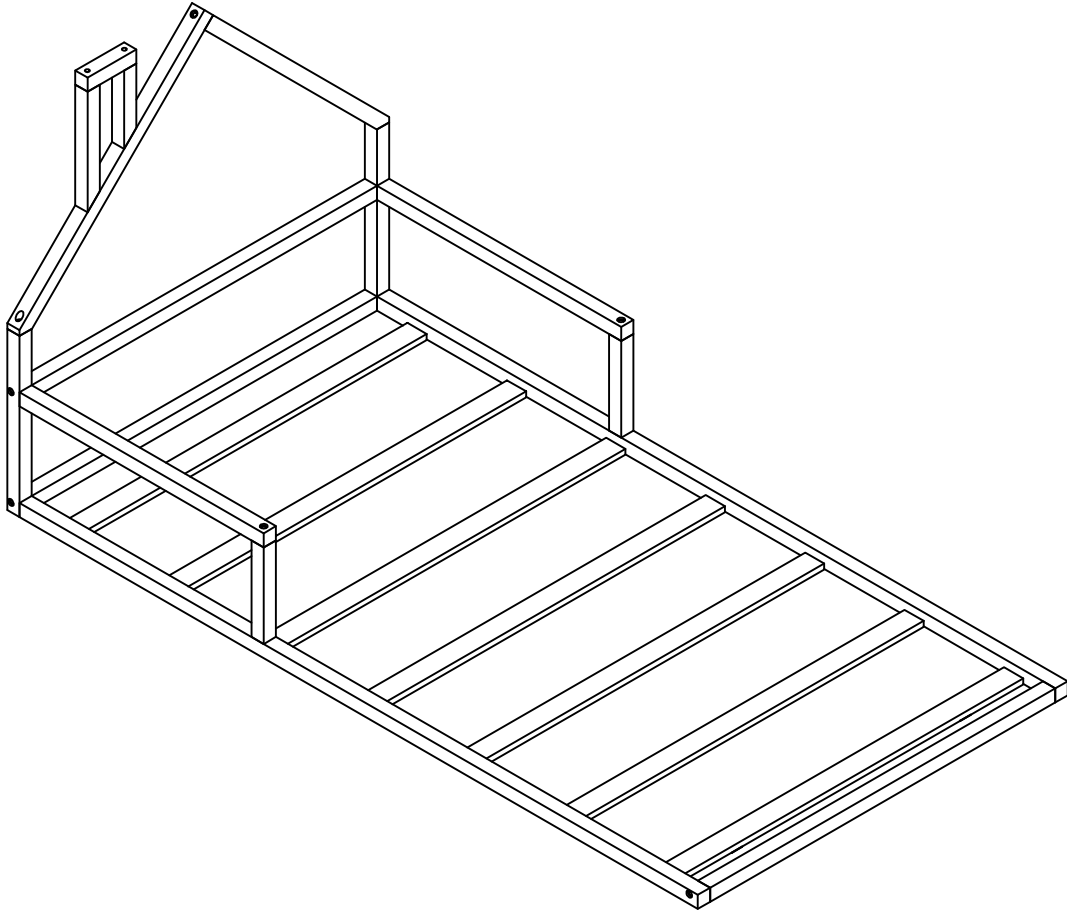
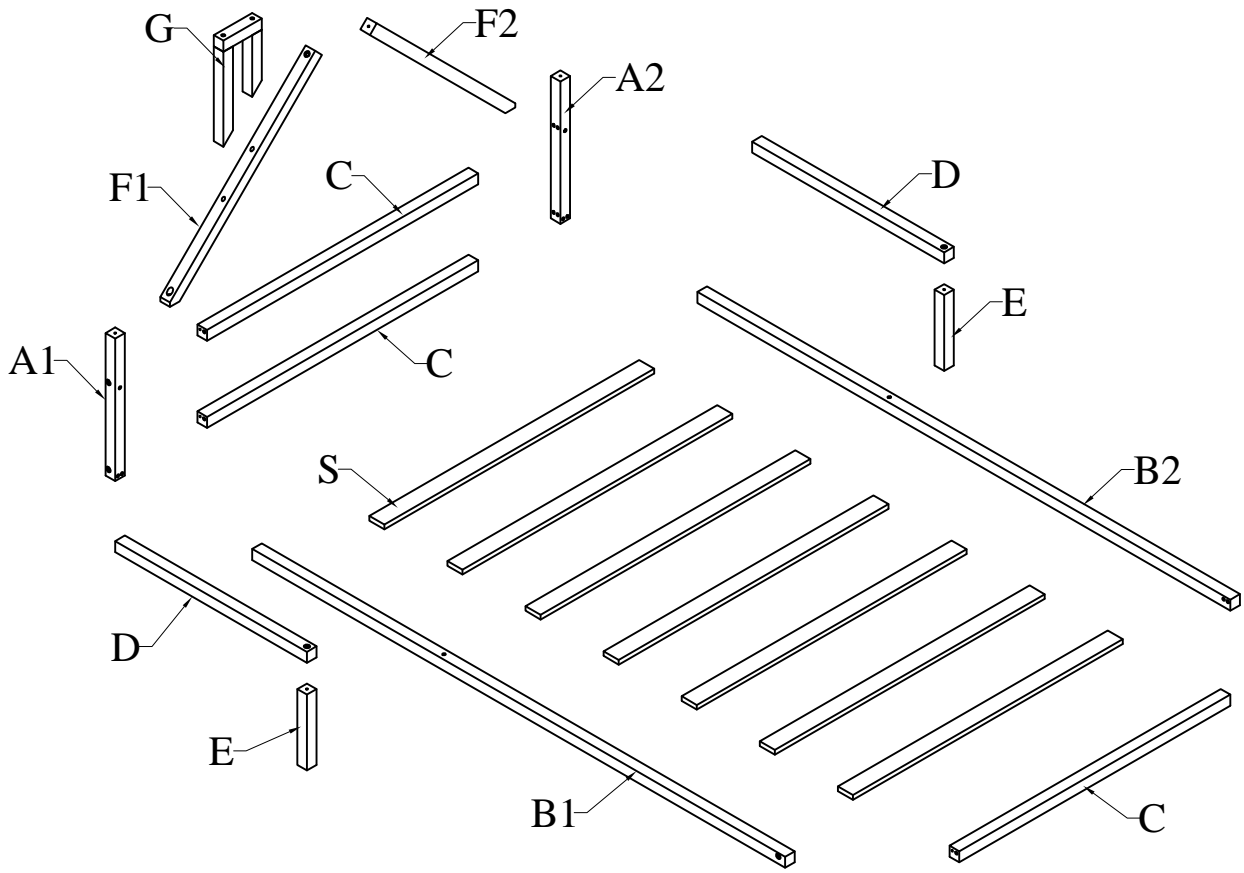


ASSEMBLY INSTRUCTIONS

ITEM CODE: WF304145



DETAIL VIEW



BOX: WF304145

A1



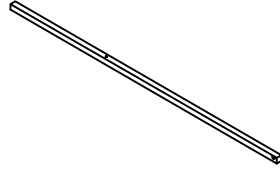
Front leg - left (1pc)

A2



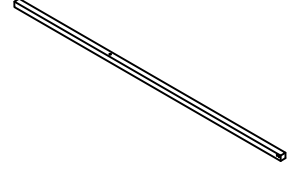
Back leg - left (1pc)

B1



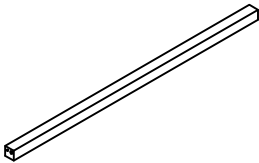
Side rail - left (1pc)

B2



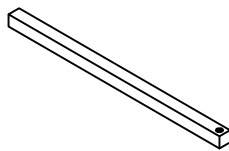
Side rail - right (1pc)

C



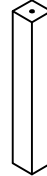
Horizontal rail (3pcs)

D



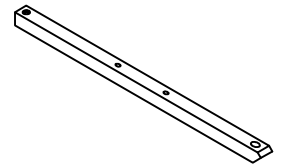
Handrails (2pcs)

E



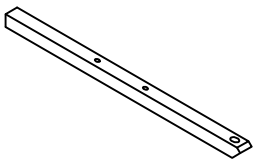
Vertical rail (2pcs)

F1



Vertical bar - left (1pc)

F2



Vertical bar - right (1pc)

G



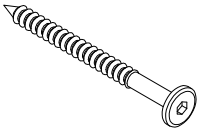

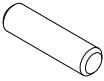
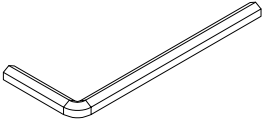
Chimney frame (1pc)

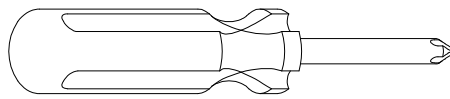
S



Slats (7pcs)

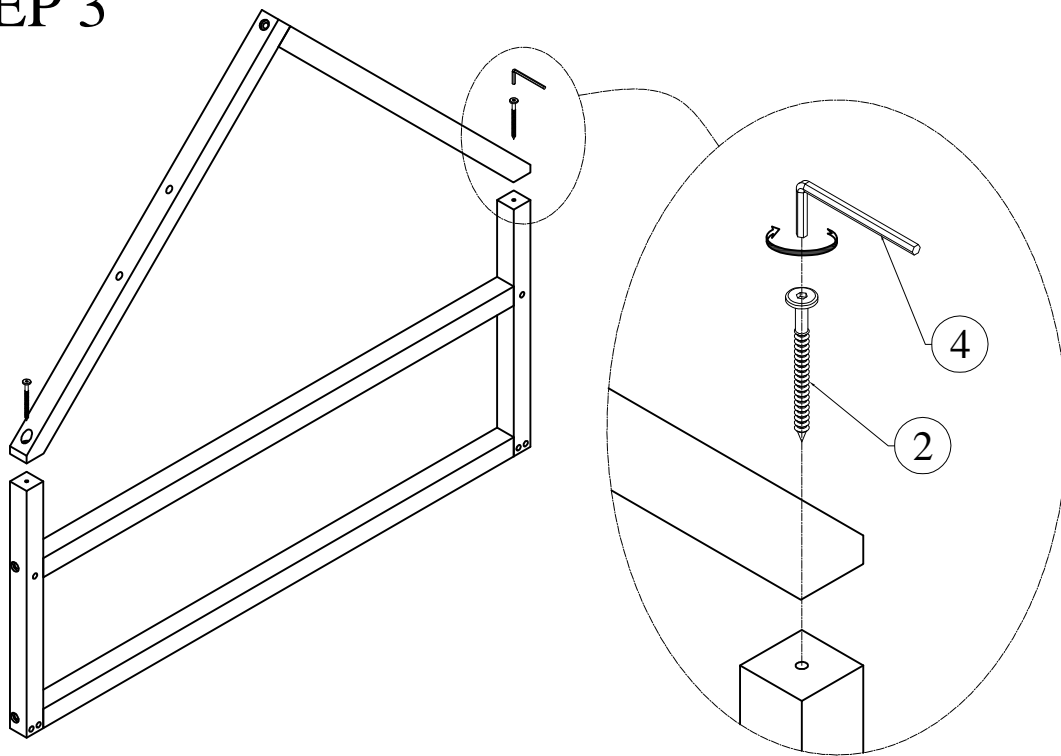
HARDWARE LIST: WF304145

<p>1</p>  <p>Hexagonal bolts catch wood Ø6 * 70 - 17pcs</p>	<p>2</p>  <p>Hexagonal bolts catch wood Ø6 * 60 - 2pcs</p>	<p>3</p>  <p>Wood dowel Ø8 * 30 - 8pcs</p>	<p>4</p>  <p>Allen key K4 - 1pc</p>
--	---	--	--



Assembly Tools Required (Not Included)

STEP 3

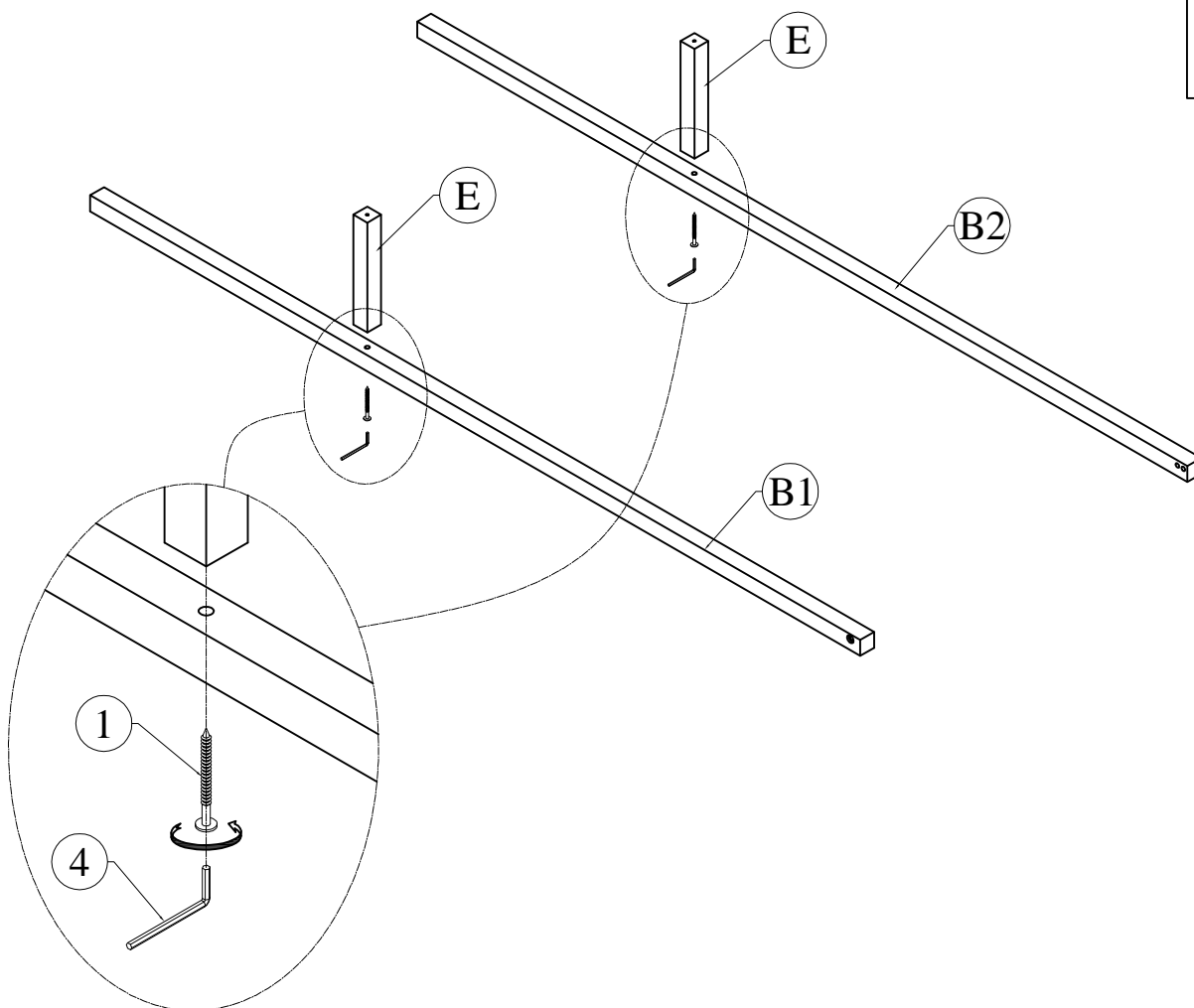


2



Hexagonal bolts catch wood
Ø6 * 60 - 2pcs

STEP 4

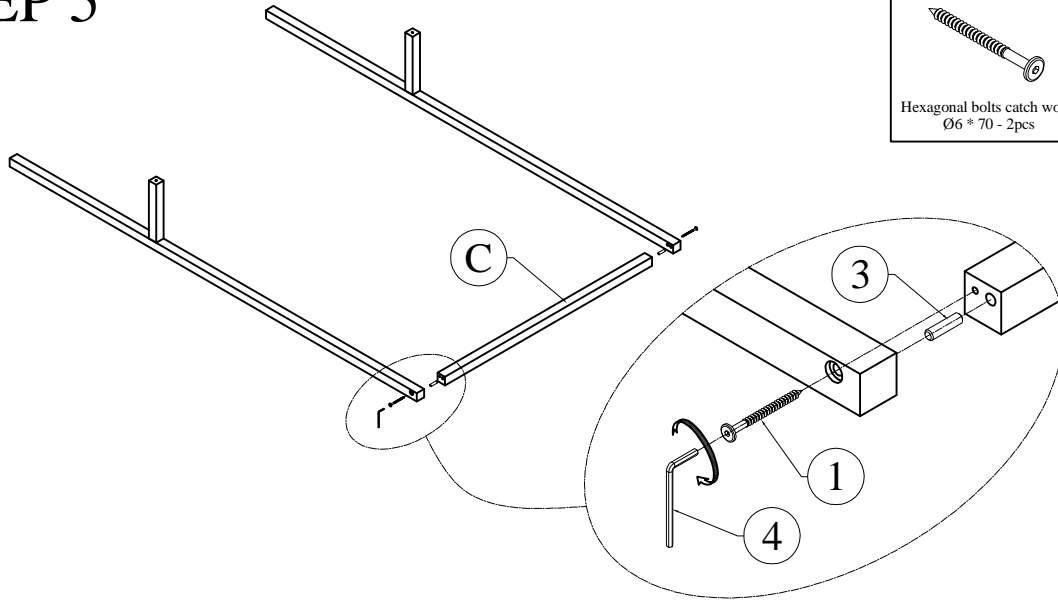



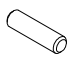
1



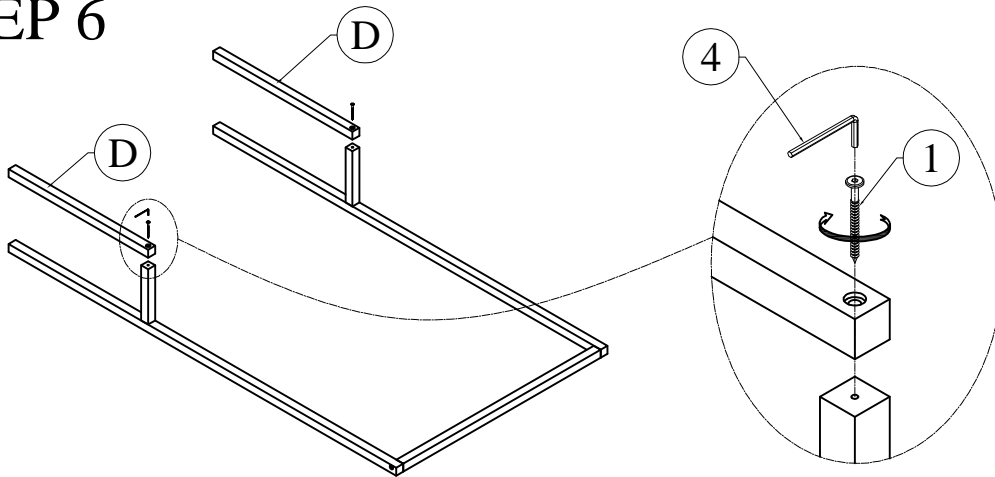
Hexagonal bolts catch wood
Ø6 * 70 - 2pcs


STEP 5



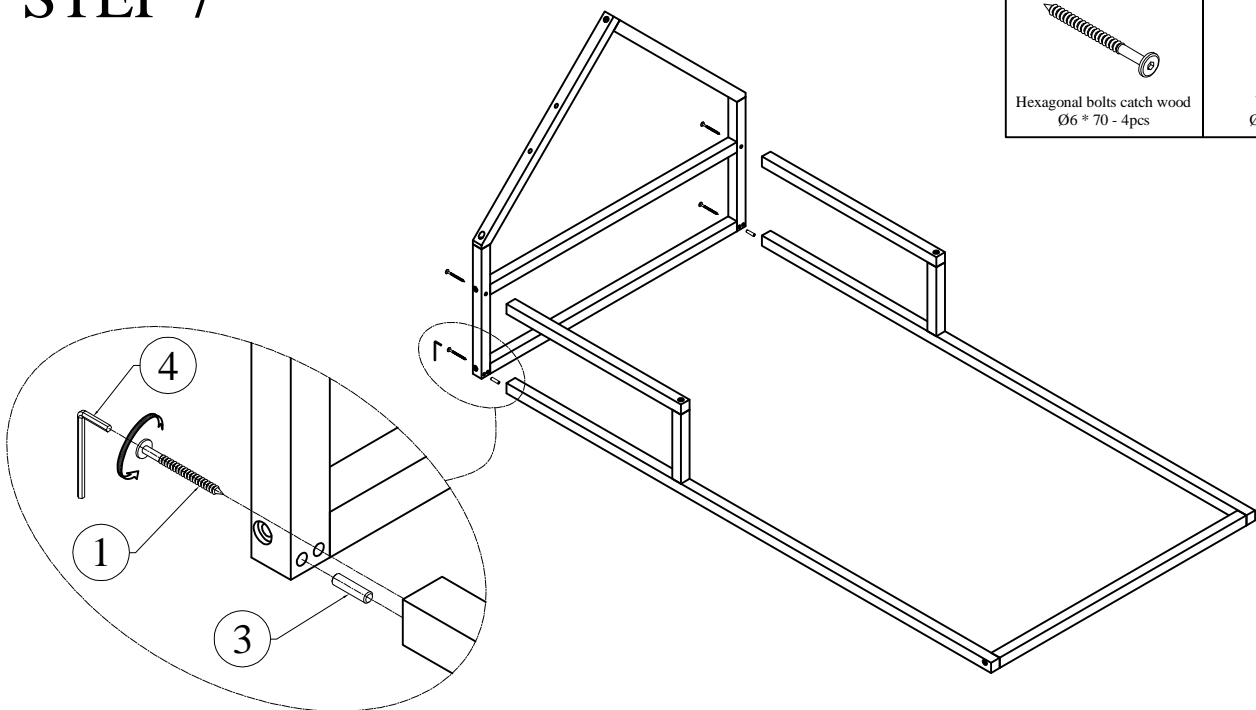
- | | |
|---|---|
| 1 | 3 |
|  |  |
| Hexagonal bolts catch wood
Ø6 * 70 - 2pcs | Wood dowel
Ø8 * 30 - 2pcs |


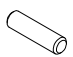
STEP 6



- | |
|---|
| 1 |
|  |
| Hexagonal bolts catch wood
Ø6 * 70 - 2pcs |

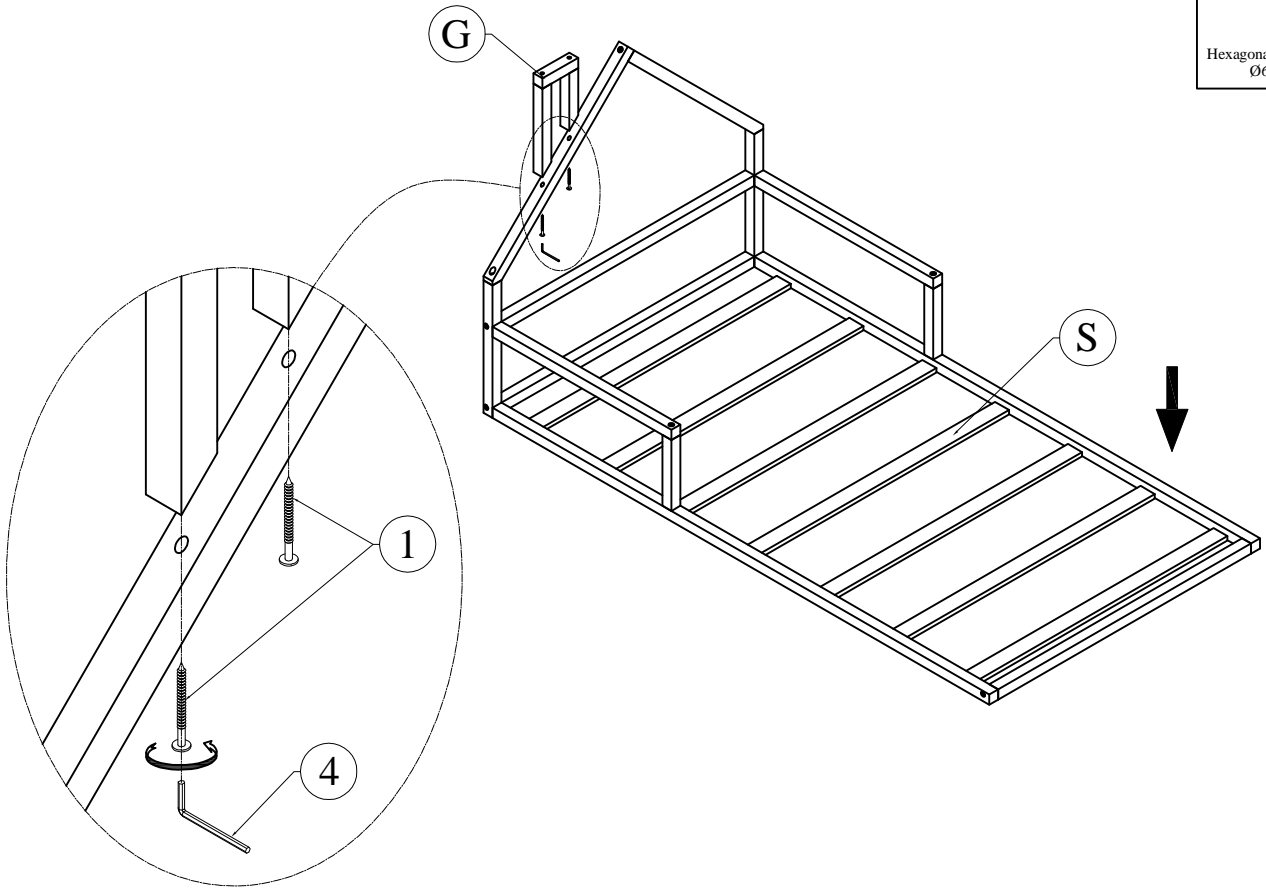
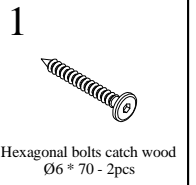
STEP 7



- | | |
|---|---|
| 1 | 3 |
|  |  |
| Hexagonal bolts catch wood
Ø6 * 70 - 4pcs | Wood dowel
Ø8 * 30 - 2pcs |

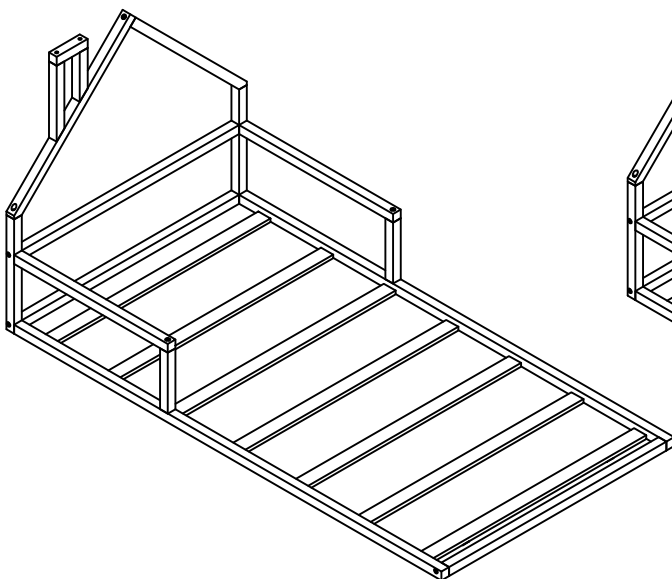
STEP 8

The distance between the slats is 9-1/4 inch



COMPLETED

OPTION 1



OPTION 2

