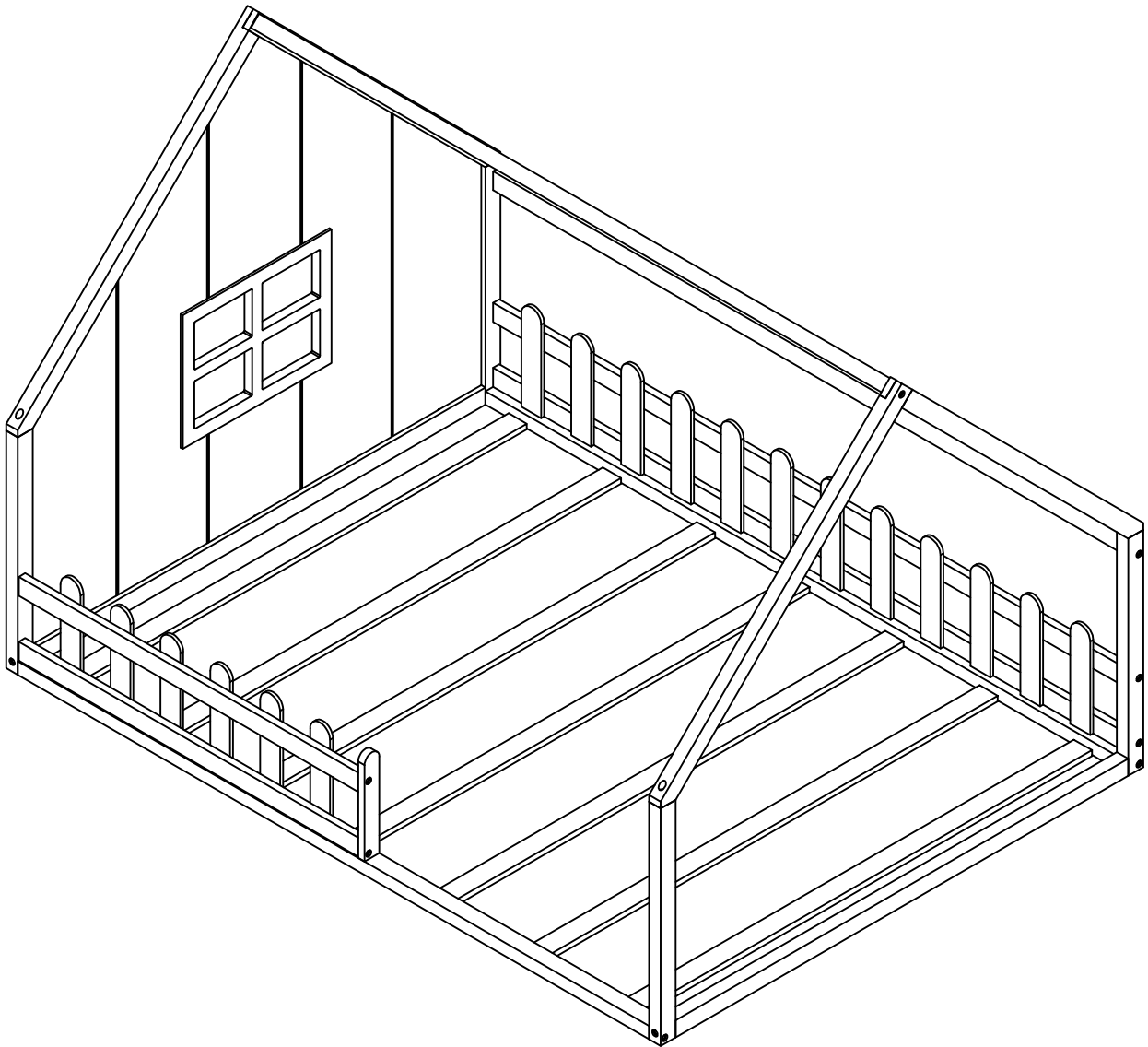
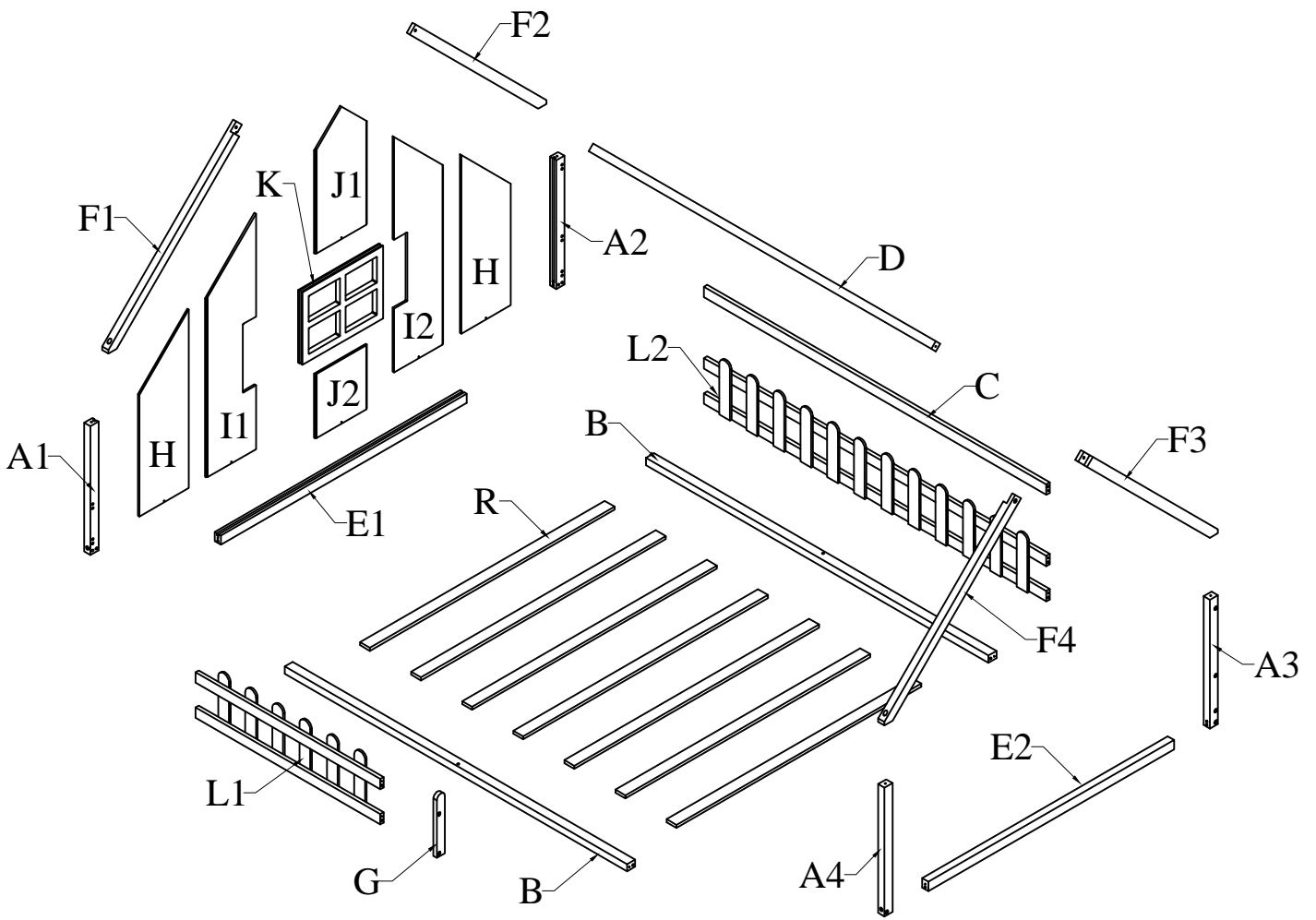


ASSEMBLY INSTRUCTIONS



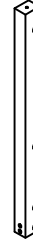

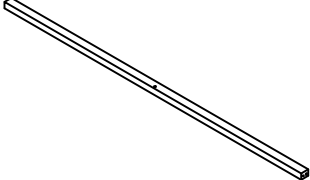
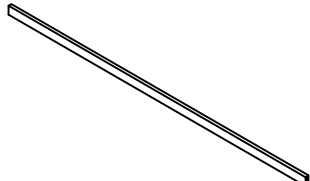
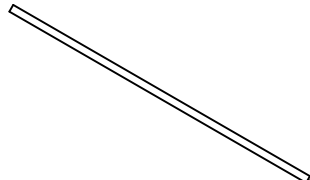
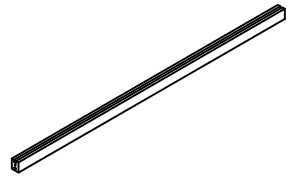
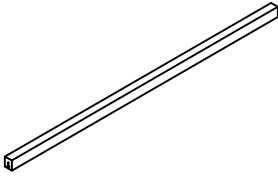
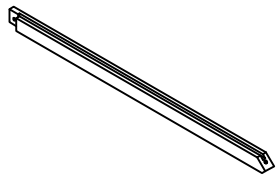
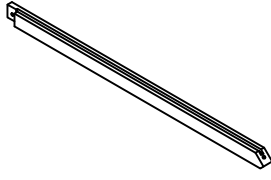
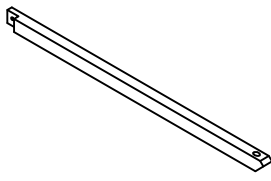
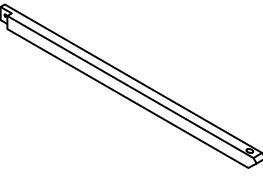

ITEM CODE: WF304147



DETAIL VIEW

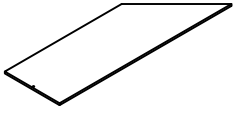


BOX: WF304147

<p>A1</p>  <p>Front leg - left (1pc)</p>	<p>A2</p>  <p>Back leg - left (1pc)</p>	<p>A3</p>  <p>Front leg - right (1pc)</p>	<p>A4</p>  <p>Back leg - right (1pc)</p>
<p>B</p>  <p>Side rail (2pcs)</p>	<p>C</p>  <p>Back rail (1pc)</p>	<p>D</p>  <p>Top rail (1pc)</p>	<p>E1</p>  <p>Horizontal rail - left (1pc)</p>
<p>E2</p>  <p>Horizontal rail - right (1pc)</p>	<p>F1</p>  <p>Front vertical bar - left (1pc)</p>	<p>F2</p>  <p>Back vertical bar - left (1pc)</p>	<p>F3</p>  <p>Back vertical bar - right (1pc)</p>
<p>F4</p>  <p>Front vertical bar - right (1pc)</p>	<p>G</p>  <p>Vertical rail (1pc)</p>		

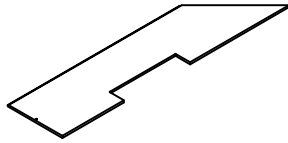
BOX: WF304147

H



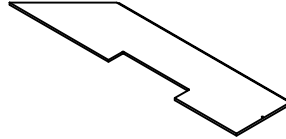
Side panel - outside (2pcs)

I1



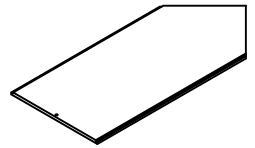
Side panel - left (1pc)

I2



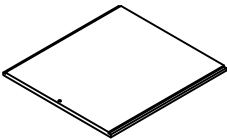
Side panel - right (1pc)

J1



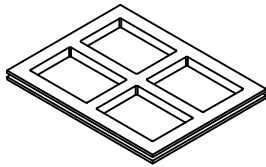
Side panel - top (1pc)

J2



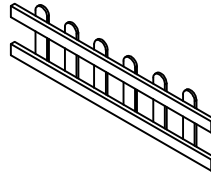
Side panel - bottom (1pc)

K



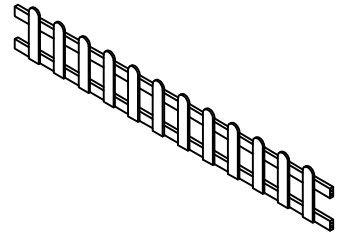
Door frame (1pc)

L1



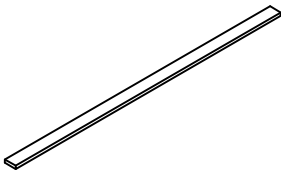
Front frame (1pc)

L2



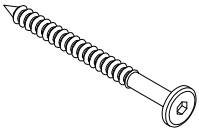
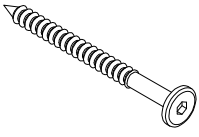

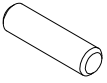
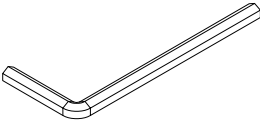
Back frame (1pc)

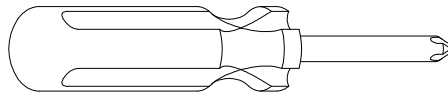
R



Slats (7pcs)

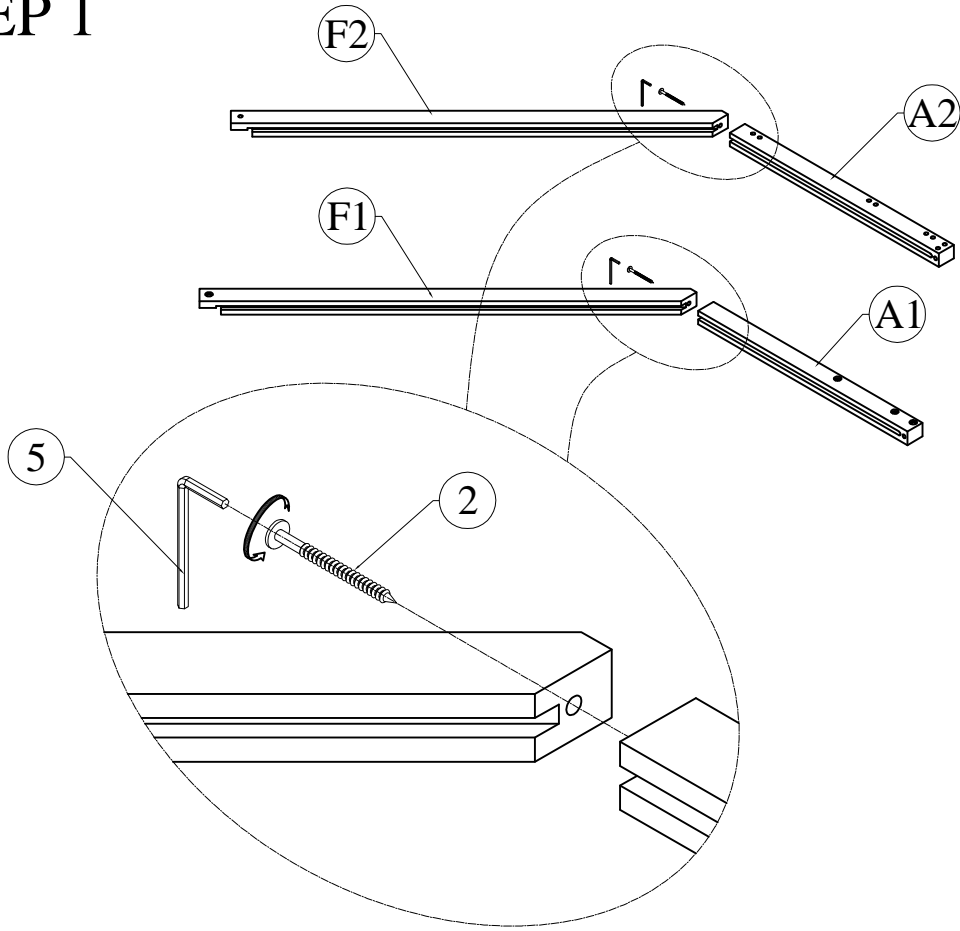
HARDWARE LIST: WF304147

<p>1</p>  <p>Hexagonal bolts catch wood Ø6 * 80 - 4pcs</p>	<p>2</p>  <p>Hexagonal bolts catch wood Ø6 * 70 - 18pcs</p>	<p>3</p>  <p>Hexagonal bolts catch wood Ø6 * 50 - 4pcs</p>	<p>4</p>  <p>Wood dowel Ø8 * 30 - 18pcs</p>
<p>5</p>  <p>Allen key K4 - 1pc</p>			



Assembly Tools Required (Not Included)

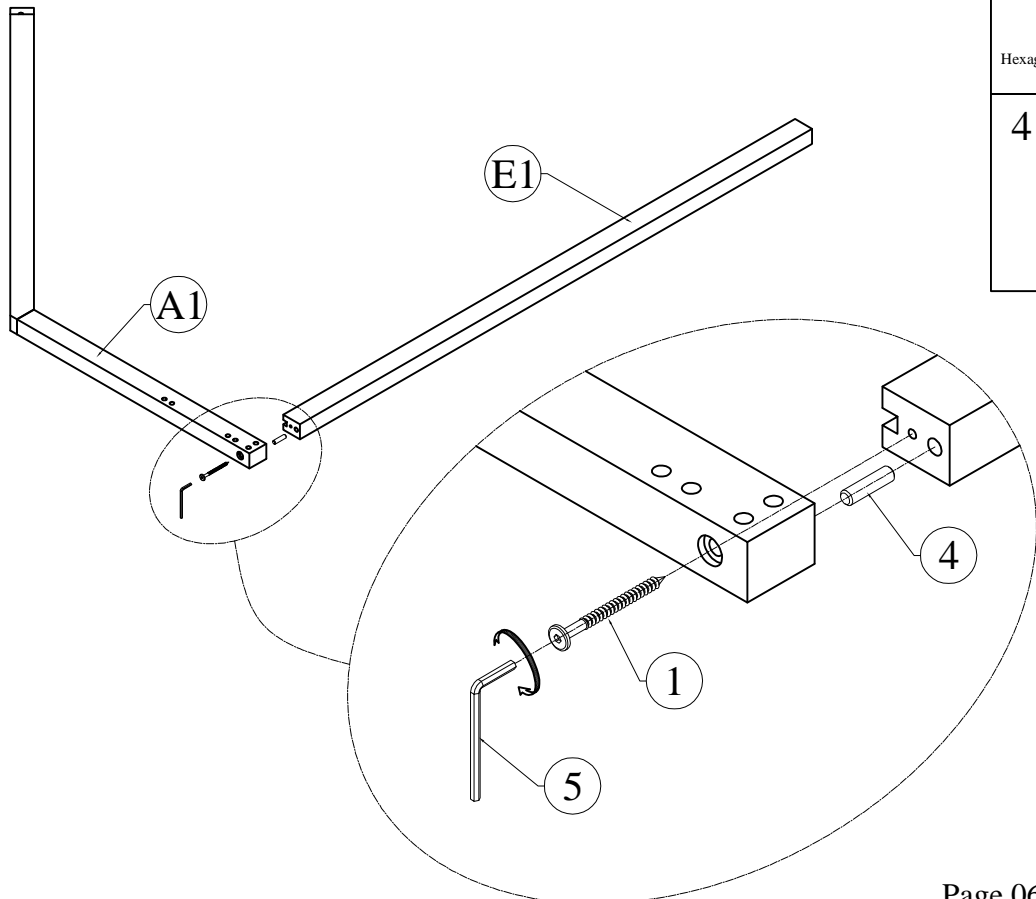
STEP 1



2

Hexagonal bolts catch wood
Ø6 * 70 - 2pcs

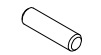
STEP 2



1

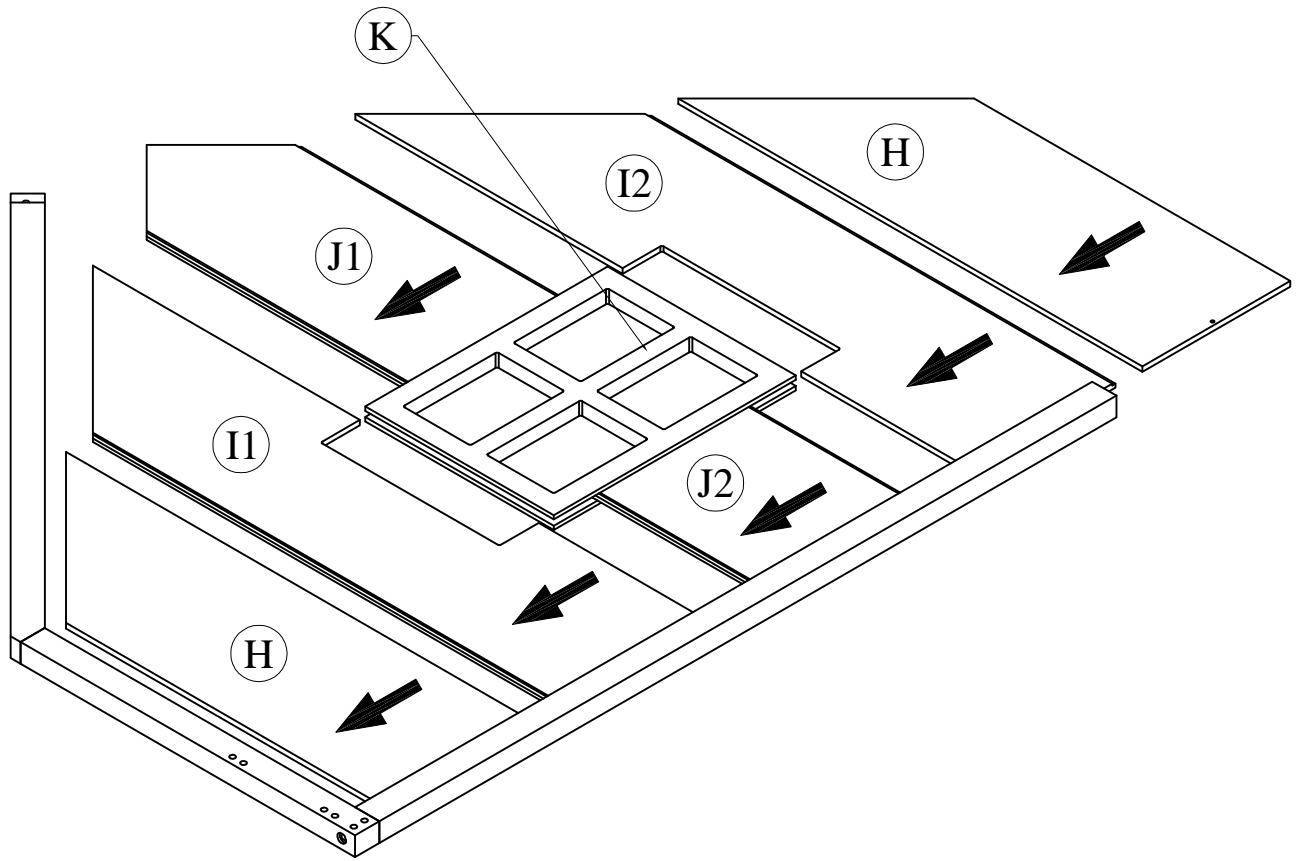
Hexagonal bolts catch wood
Ø6 * 80 - 1pc

4

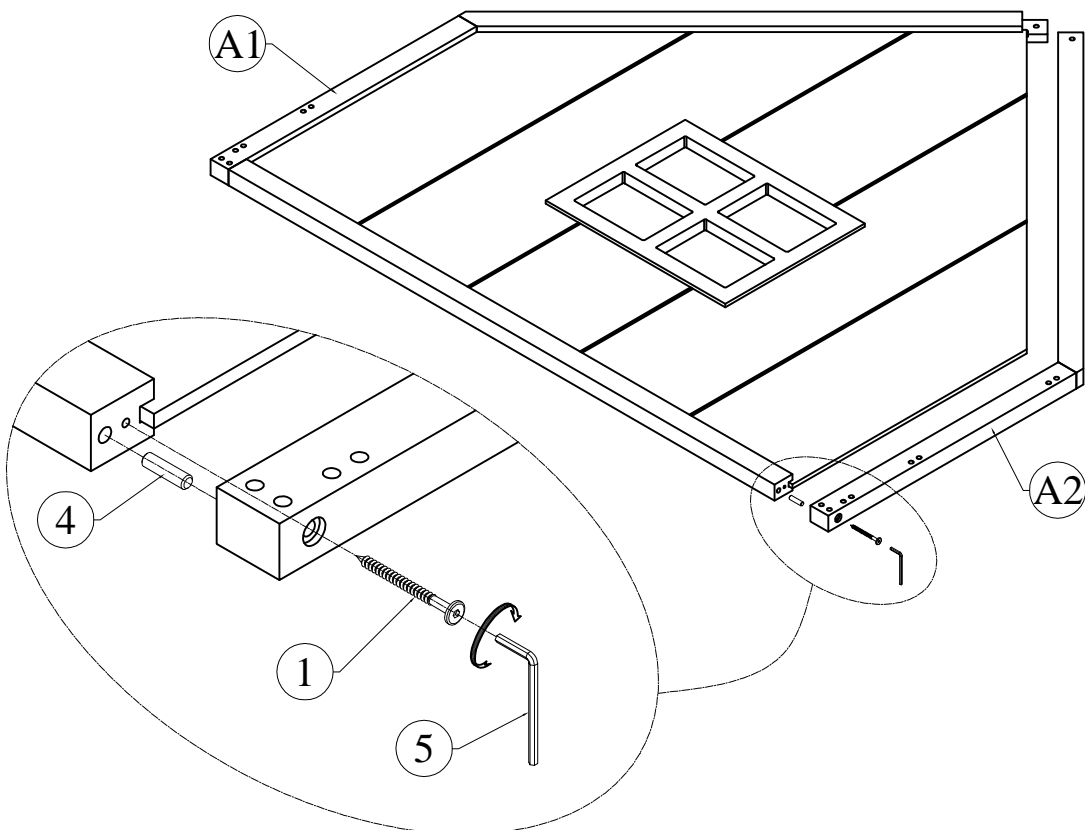



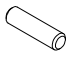
Wood dowel
Ø8 * 30 - 1pc

STEP 3

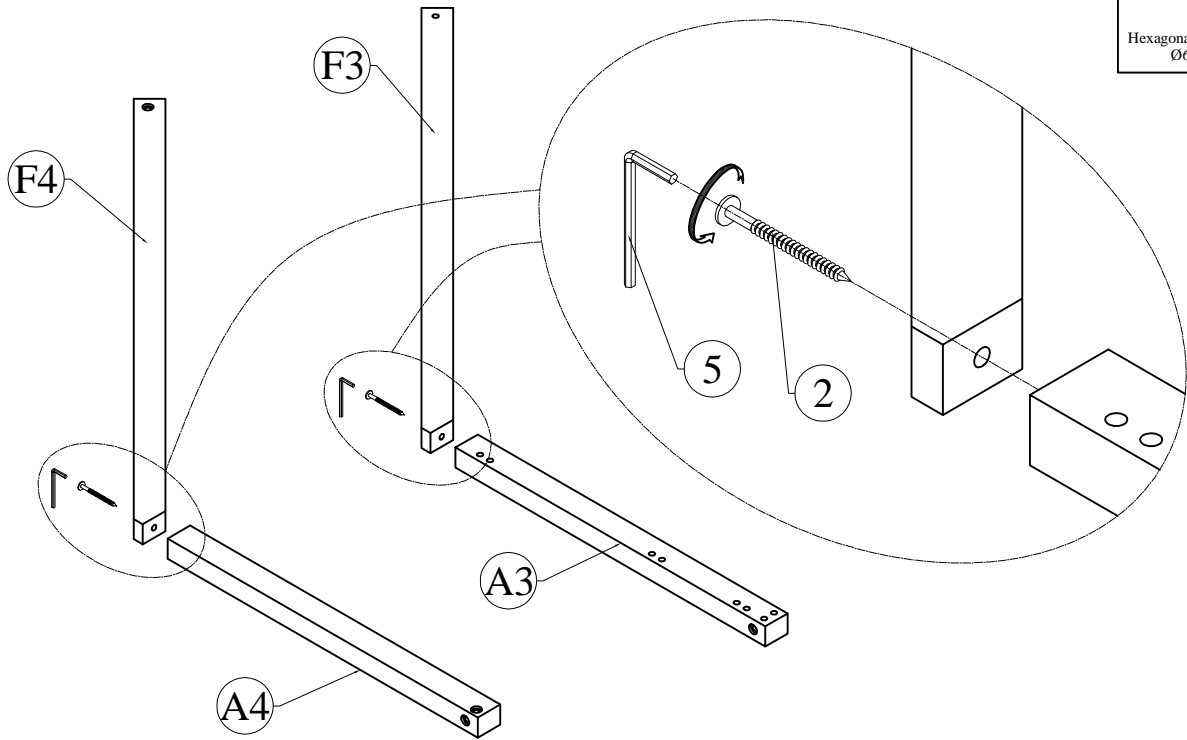


STEP 4



- 1

Hexagonal bolts catch wood
Ø6 * 80 - 1pc
- 4

Wood dowel
Ø8 * 30 - 1pc

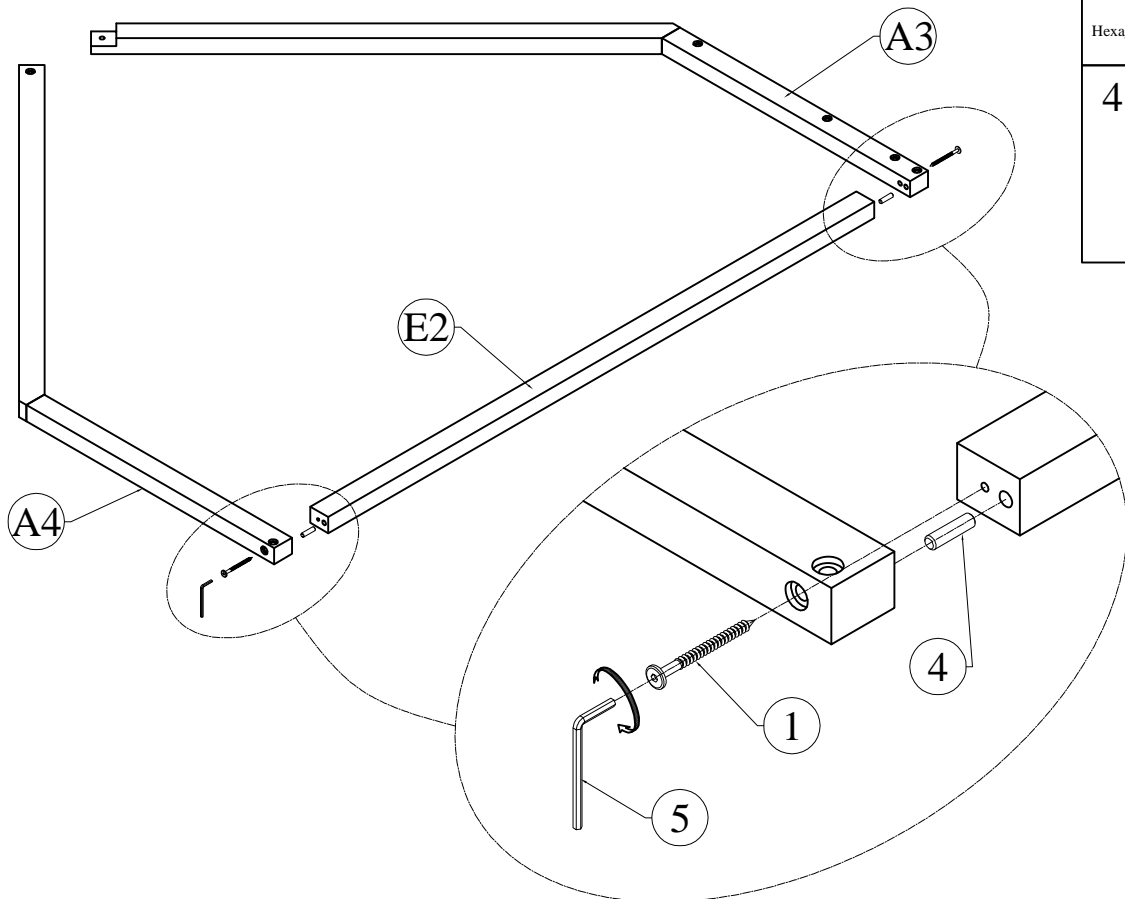
STEP 5



2

Hexagonal bolts catch wood
Ø6 * 70 - 2pcs

STEP 6



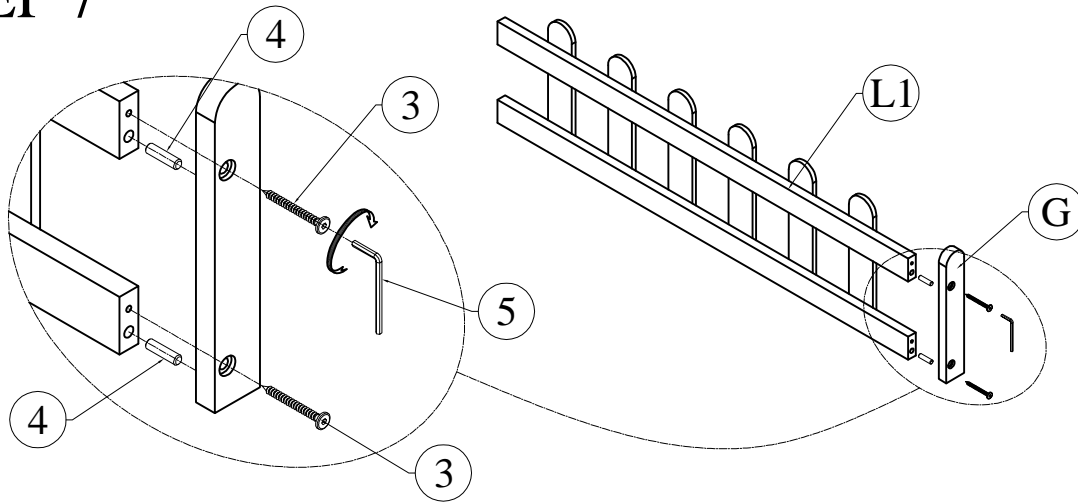
1

Hexagonal bolts catch wood
Ø6 * 80 - 2pcs

4

Wood dowel
Ø8 * 30 - 2pcs

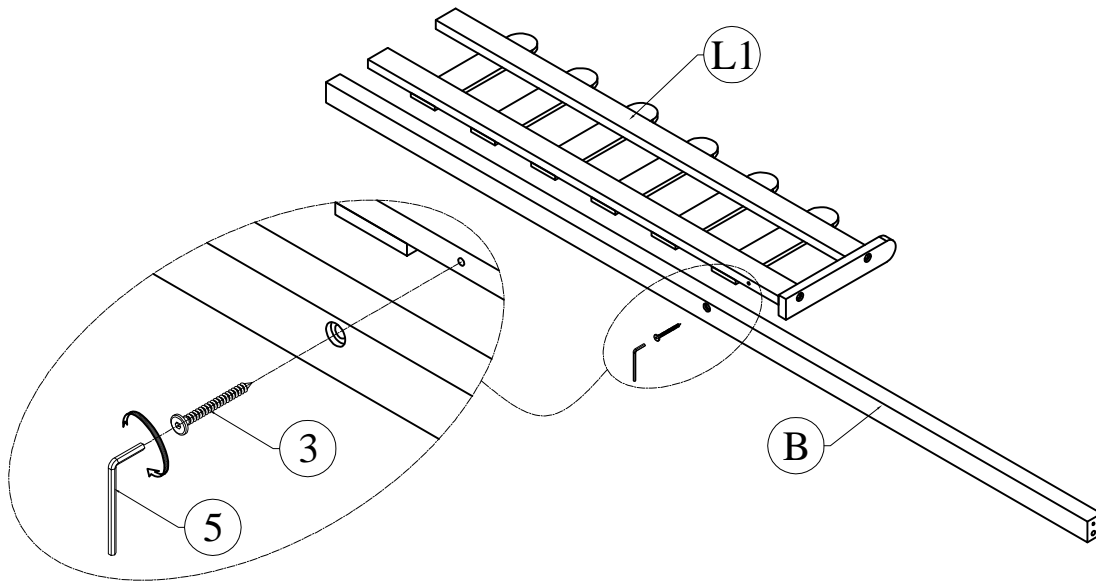
STEP 7



3
Hexagonal bolts catch wood
Ø6 * 50 - 2pcs

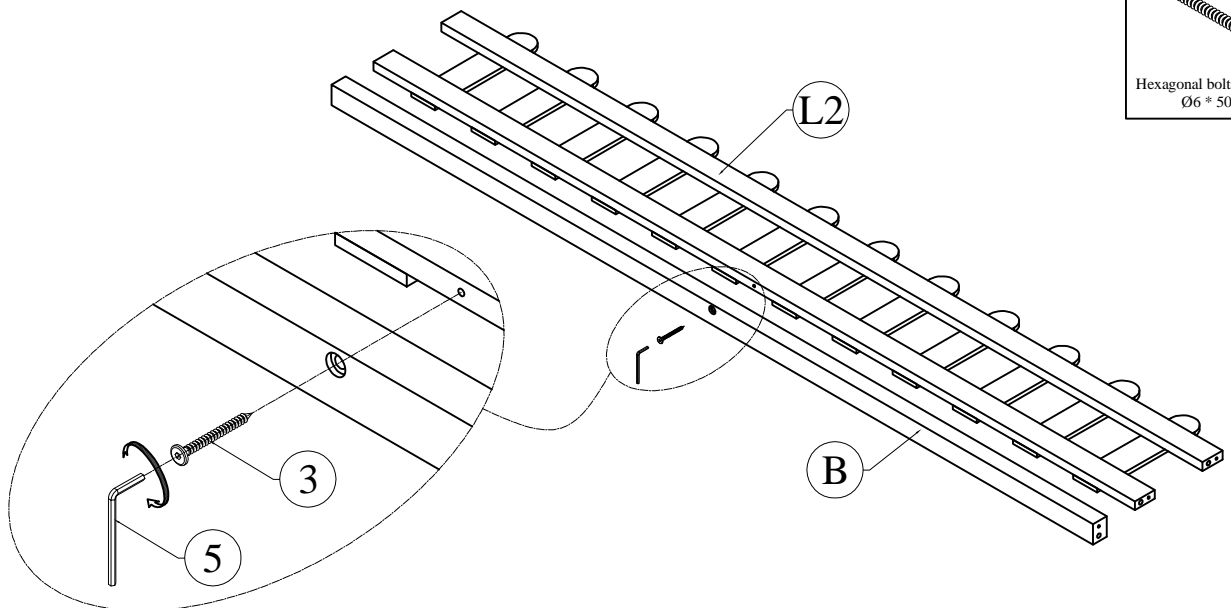
4
Wood dowel
Ø8 * 30 - 2pcs

STEP 8



3
Hexagonal bolts catch wood
Ø6 * 50 - 1pc

STEP 9



3
Hexagonal bolts catch wood
Ø6 * 50 - 1pc

STEP 10

2

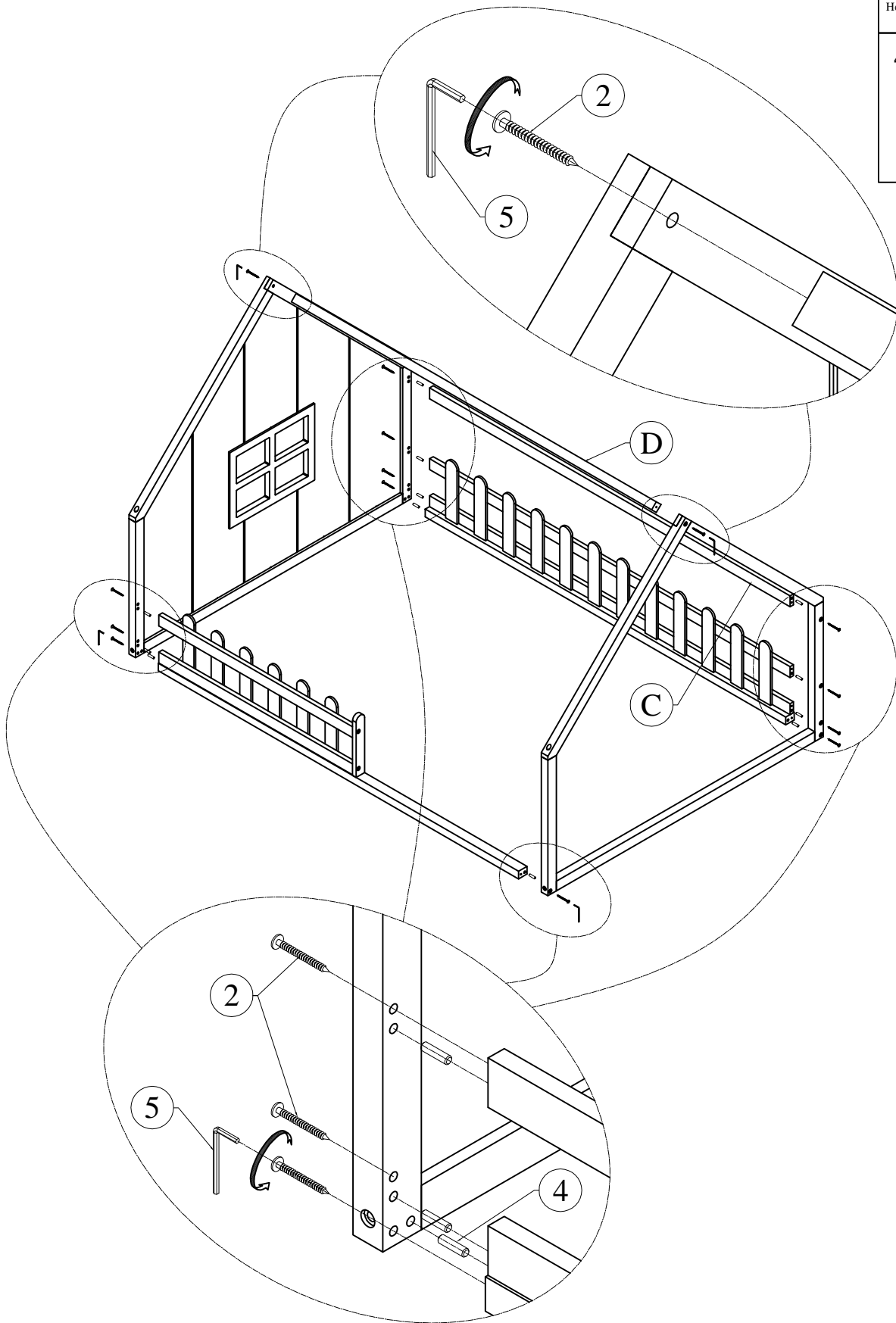


Hexagonal bolts catch wood
Ø6 * 70 - 14pcs

4

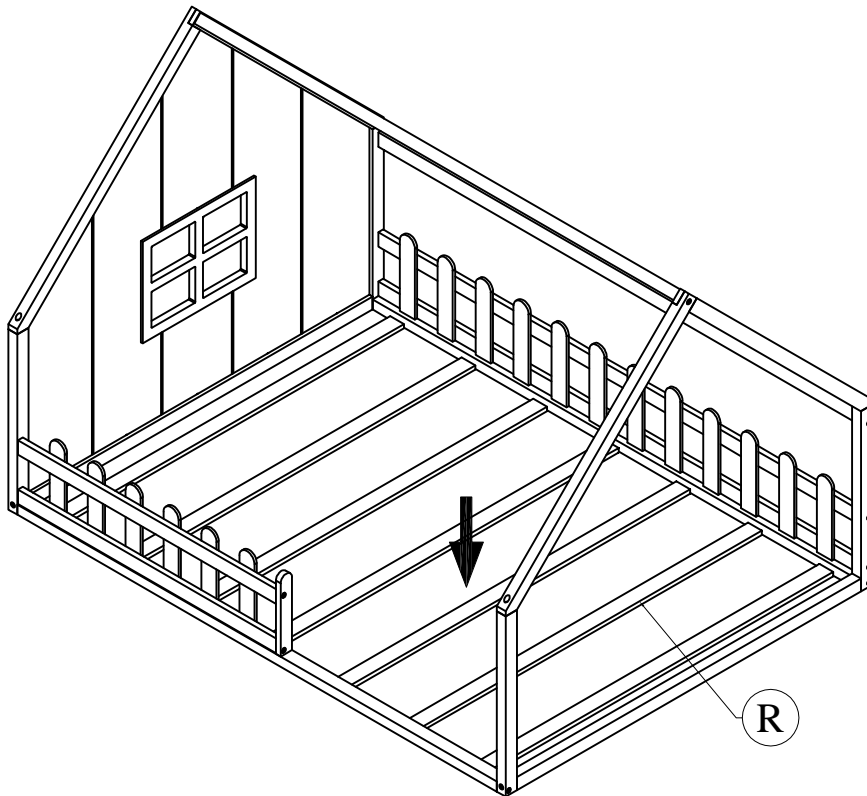


Wood dowel
Ø8 * 30 - 12pcs



STEP 11

The distance between the slats is 9-1/4 inch



COMPLETED

